

IMPORTANT

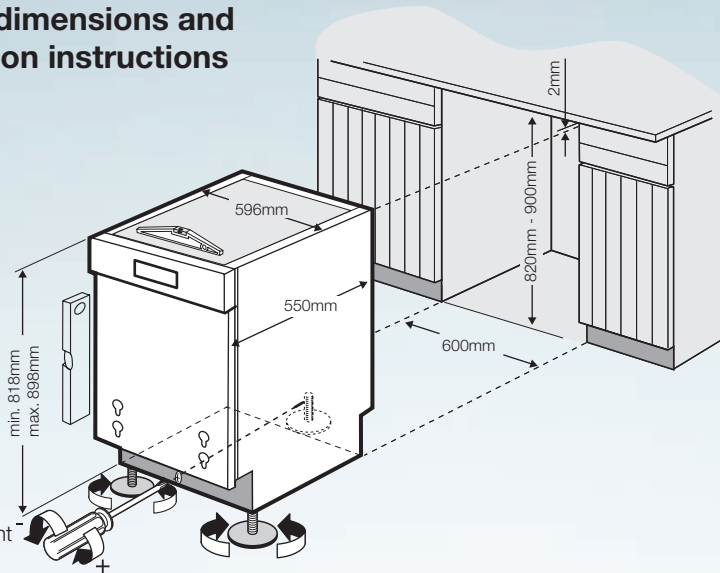
This is a guide of product dimensions only. For complete installation instructions, refer to the manual provided with product.

installation guide

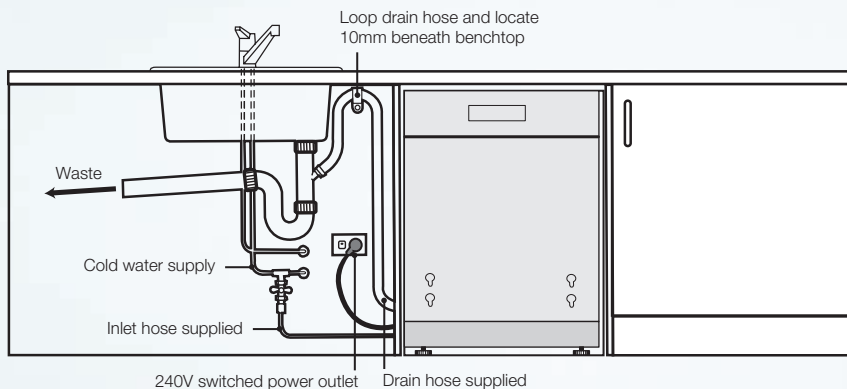
electrolux E:Line built-in dishwasher

Model: EX401ISB

dishwasher dimensions and pre-installation instructions



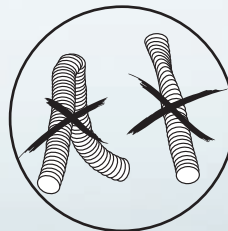
Note: Rear leg adjustment via screw at front



Note: Hole at bottom of spigot on sink drain must be drilled out completely. Position of spigot from base of dishwasher floor must be 300mm minimum. Maximum height of drain hose from floor must be 1000mm.

Notes:

- If the floor is not level, the levelling legs should be adjusted to fit
- The dishwasher must be fixed to the cabinets with the screws provided
- The entire plastic membrane from the sink trap to be removed before fitting and securing the drain hose
- Cold water connection is recommended
- Water flow rate 10L/minute min.
- Water temperature 65° max.
- Water pressure cold, 50-800kPa
- Water pressure hot, 50-800kPa



Notes:

- Ensure that hoses are not crushed or kinked under or behind the dishwasher.
- After connecting hose to the tap, turn the tap on and check to ensure that there are no leaks.

All measurements in millimetres.

Page 1 of 2

Current as at Jul 2007.

© 2006 Electrolux Home Products Pty Ltd. EDIMDWEX401ISB

Thinking of you
Electrolux

IMPORTANT

This is a guide of product dimensions only. For complete installation instructions, refer to the manual provided with product.

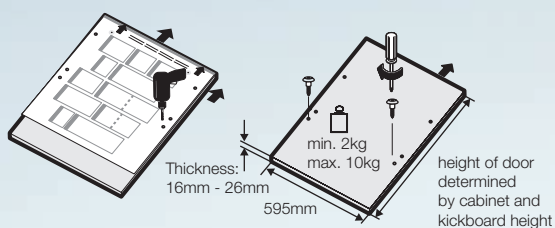
installation guide

electrolux E:Line built-in dishwasher

Model: EX401ISB

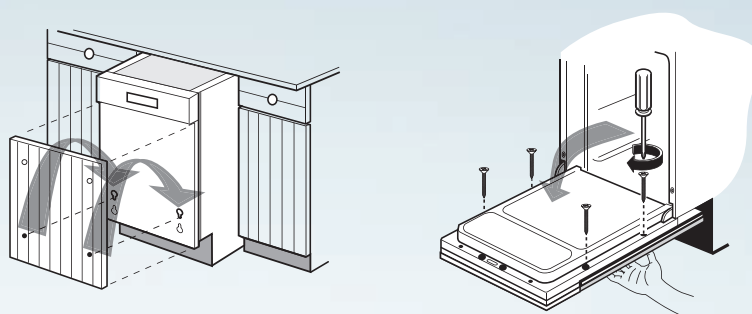
fitting door panel

step 1

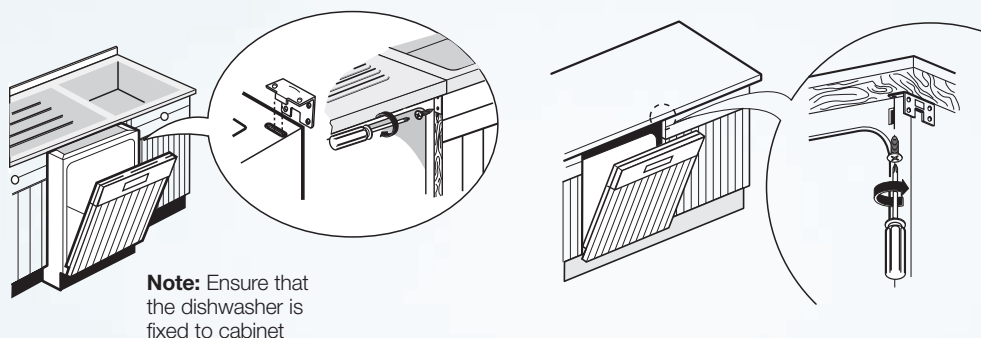


Note: Refer to instructions and pattern supplied with dishwasher for hole locations and dimensions

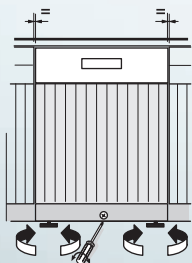
step 2



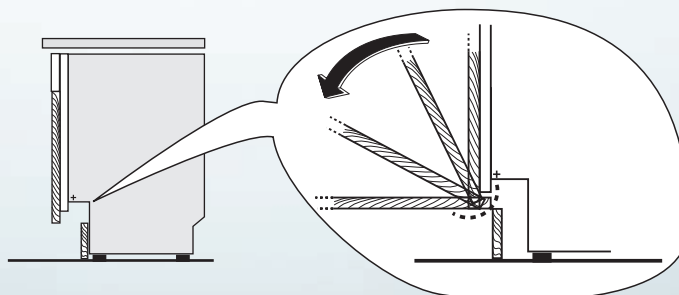
step 3



step 4



step 5



All measurements in millimetres.

Page 2 of 2

Current as at Jul 2007.

© 2006 Electrolux Home Products Pty Ltd. EDIMDWEX401ISB

Thinking of you

 **Electrolux**