



user manual

Dishwasher

ESL 43020

## Electrolux. Thinking of you.

Share more of our thinking at [www.electrolux.com](http://www.electrolux.com)

## CONTENTS

Safety information	2	Select and start a washing programme	10
Product description	4		
Control panel	5	Washing programmes	11
Use of the appliance	6	Care and cleaning	12
Setting the water softener	6	What to do if...	12
Use of dishwasher salt	7	Technical data	14
Use of detergent and rinse aid	8	Environment concerns	15
Loading cutlery and dishes	9		

Subject to change without notice



## SAFETY INFORMATION

Before the installation and use, read this manual carefully:

- For your safety and the safety of your property.
- To help the environment.
- For the correct operation of the appliance.

Always keep these instructions with the appliance also if you move or give it to a different person.

The manufacturer is not responsible if an incorrect installation and use causes damage.

**Children and vulnerable persons safety**

- Do not let persons, children included, with reduced physical sensory, reduced mental functions or lack of experience and knowledge to use the appliance. They must have supervision or instruction for the operation of the appliance by a person who is responsible for their safety.
- Children must get supervision to make sure that they do not play with the appliance.
- Keep all packaging away from children. There is the risk of suffocation or injury.
- Keep all detergents in a safe area. Do not let the children touch the detergents.
- Keep children and pets away from the appliance when the door is open.

**General safety**

- Do not change the specifications of this appliance. There is the risk of injury and damage to the appliance.

- Obey the safety instructions from the detergent manufacturer to prevent burns to eyes, mouth and throat.
- Do not drink the water from the appliance. Particles of detergent can stay in your appliance.
- Do not keep the appliance door open without supervision. This to prevent injury and to fall on an open door.
- Do not sit or stand on the open door.

**Use**

- The appliance is only for domestic use. Do not use the appliance for other uses to prevent injury to persons and damage to property.
- Only use the appliance to clean accessories that are applicable for dishwashers.
- Do not put flammable products or items that are wet with flammable products in, near or on the appliance. Risk of explosion or fire.
- Put the knives and all items with sharp points in the cutlery basket with their points down. If not, put in a horizontal position in the upper basket or in the knife basket. (Not all models have the knife basket).
- Use only specified products for dishwashers (detergent, salt, rinse aid).
- Types of salt that are not specified for dishwashers can cause damage to the water softener.
- Fill the appliance with salt before you start a washing programme. Remaining salt in the appliance can cause corrosion

or make a hole in the bottom of the appliance.

- Do not fill the rinse aid dispenser with other products than the rinse aid, (dish-washer cleaning agent, liquid detergent). This can cause damage to the appliance.
- Make sure that the spray arms can move freely before you start a washing programme.
- The appliance can release hot steam if you open the door while a washing programme operates. There is a risk of skin burns.
- Do not remove the dishes from the appliance until the washing programme is completed.

### Care and cleaning

- Before you clean the appliance, deactivate it and disconnect the mains plug from the mains socket.
- Do not use flammable products or products that can cause corrosion.
- Do not use the appliance without the filters. Make sure that the installation of the filters is correct. An incorrect installation causes unsatisfactory washing results and damage to the appliance.
- Do not use spray water or steam to clean the appliance. Risk of electrical shock and damage to the appliance.

### Installation

- Make sure that the appliance is not damaged. Do not install or connect a damaged appliance, contact the supplier.
- Remove all packaging before you install and use the appliance.
- Only a qualified person must do the electrical connection, the plumbing and the installation of the appliance. This to prevent the risks of structural damage or injury.
- Make sure that the mains plug is disconnected from the mains socket during installation.
- Do not drill into the sides of the appliance to prevent damage to hydraulic components and electrical components.
- **Important!** Obey the instructions in the template supplied with the appliance:
  - To install the appliance.
  - To assemble the door panel.

– To connect to the water supply and drain.

- Make sure that the appliance is installed below and adjacent to safe structures.

### Frost precautions

- Do not install the appliance where the temperature is less than 0 °C.
- The manufacturer is not responsible for frost damage.

### Water connection

- Use new hoses to connect the appliance to the water supply. Do not use used hoses.
- Do not connect the appliance to new pipes or pipes not used for a long time. Let the water flow for some minutes, then connect the inlet hose.
- Make sure not to squash or cause damage to the water hoses when you install the appliance.
- Make sure that the water couplings are tight to prevent a water leakage.
- The first time you use the appliance, make sure that the hoses do not have water leaks.

### Electrical connection

- The appliance must be earthed.
- Make sure that the electrical information on the rating plate agrees with the power supply.
- Always use a correctly installed shock-proof socket.
- Do not use multiple plugs and extension cables. There is a risk of fire.
- Do not replace or change the mains cable. Contact the service centre.
- Make sure not to squash or cause damage to the mains plug and cable behind the appliance.
- Make sure that there is access to the mains plug after the installation.
- Do not pull the mains cable to disconnect the appliance. Always pull the mains plug.
- **Only for UK and Ireland.** The appliance has a 13 amp mains plug. If it is necessary to change the fuse in the mains plug, use a 13 amp ASTA (BS 1362) fuse .


### Service centre

- Only a qualified person can repair or work on the appliance. Contact the service centre.
- Use only original spare parts.

### To discard the appliance

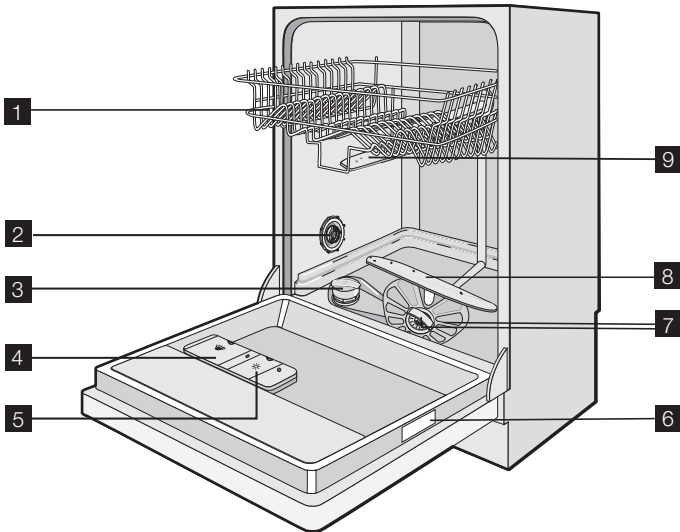
- To prevent the risk of injury or damage:
  - Disconnect the mains plug from the mains socket.
  - Cut off the mains cable and discard it.
  - Remove the door catch. This prevents children or pets to be closed in the appliance. There is a risk of suffocation.
  - Discard the appliance at the local waste disposal centre.

- If an accident occurs with these detergents, contact immediately a physician.
- If the detergent gets into the mouth, contact immediately a physician.
- If the detergent gets into the eyes, contact immediately a physician and clean the eyes with water.
- Keep dishwasher detergents in a safe area and out of children touch.
- Do not keep the appliance door open when there is detergent in the detergent dispenser.
- Fill the detergent dispenser only before you start a washing programme.

 **Warning! The dishwasher detergents are dangerous and can cause corrosion !**

## PRODUCT DESCRIPTION

---



**1** Upper basket

**2** Water hardness dial

**3** Salt container

**4** Detergent dispenser

**5** Rinse aid dispenser

**6** Rating plate

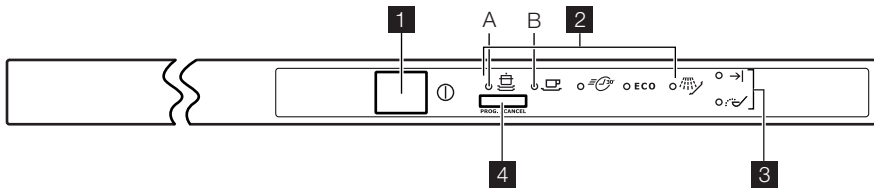
**7** Filters

**8** Lower spray arm

**9** Upper spray arm

## CONTROL PANEL

- i** The controls are on the top on the control panel. To operate with the controls, keep the appliance door ajar.



- 1** On/off button
- 2** Programme indicators
- 3** Indicators
- 4** Programme button

### Indicators



End indicator. It comes on in these conditions:

- When the washing programme is completed.
- When you adjust the level of the water softener.
- When you deactivate or activate the acoustic signals.
- When the appliance has a malfunction.



Salt indicator. It comes on when it is necessary to fill the salt container. <sup>1)</sup>

After you fill the container, the salt indicator can stay on for some hours. This does not have an unwanted effect on the operation of the appliance.

*1) When the salt container is empty, the related indicator does not come on while a washing programme operates.*

### On/off button

Press this button to activate or deactivate the appliance.

### Programme indicators A and B

These indicators have also an auxiliary function when you:

- Adjust the level of the water softener.
- Activate or deactivate the acoustic signals.

### Programme button

With this button you can:

- Set a washing programme.
- Adjust the level of the water softener.
- Activate or deactivate the acoustic signals.
- Cancel a washing programme in operation.

### Setting mode

**The appliance must be in setting mode for these operations:**

- To set and start a washing programme.

- To adjust electronically the level of the water softener.
- To deactivate or activate the acoustic signals.

**Activate the appliance. The appliance is in setting mode when:**

- All the programme indicators are off.
- The end indicator flashes.

**Activate the appliance. The appliance is not in setting mode when:**

- Only one programme indicator comes on.
  - It is necessary to cancel the programme to go back to the setting mode. Refer to 'Setting and starting a washing programme'.

### Acoustic signals

You can hear the acoustic signals in these conditions:

- The washing programme is completed.
- The appliance has a malfunction.

**i** Factory setting: on.

### Deactivating the acoustic signals:

1. Activate the appliance.
2. Make sure that the appliance is in setting mode.
3. Press and hold the programme button until the programme indicator (A) flashes and the programme indicator (B) comes on.
4. Press immediately the programme button again.  
The programme indicator (A) comes on and the programme indicator (B) starts to flash.  
After some seconds, the programme indicator (A) goes off and the end indicator comes on. The programme indicator (B) continues to flash.

5. Press the programme button again, the end indicator goes off. The acoustic signals are deactivated.
6. Deactivate the appliance to confirm.

### Activating the acoustic signals:

1. To activate the acoustic signals again, do steps (1) through (4). The programme indicator (A) goes off and the end indicator is off. The programme indicator (B) continues to flash.
2. Press the programme button again. The end indicator comes on. The acoustic signals are activated.
3. Deactivate the appliance to confirm.

## USE OF THE APPLIANCE

1. Be sure that the set level of the water softener agrees with the water hardness in your area. If not, adjust the water softener.
2. Fill the salt container with dishwasher salt.
3. Fill the rinse aid dispenser with rinse aid.
4. Load cutlery and dishes into the appliance.
5. Set the correct washing programme for the type of load and soil.
6. Fill the detergent dispenser with the correct quantity of detergent.
7. Start the washing programme.

## SETTING THE WATER SOFTENER

The water softener removes minerals and salts from the water supply. These minerals and salts can cause damage to the appliance.

Adjust the level of the water softener if this does not agree with the water hardness in your area.

Contact your local water authority to know the water hardness in your area.

Water hardness				Water hardness adjustment	
German degrees (°dH)	French degrees (TH°)	mmol/l	Clarke degrees	manually	electronically
51 - 70	91 - 125	9,1 - 12,5	64 - 88	2 <sup>1)</sup>	10
43 - 50	76 - 90	7,6 - 9,0	53 - 63	2 <sup>1)</sup>	9
37 - 42	65 - 75	6,5 - 7,5	46 - 52	2 <sup>1)</sup>	8
29 - 36	51 - 64	5,1 - 6,4	36 - 45	2 <sup>1)</sup>	7
23 - 28	40 - 50	4,0 - 5,0	28 - 35	2 <sup>1)</sup>	6
19 - 22	33 - 39	3,3 - 3,9	23 - 27	2 <sup>1)</sup>	5 <sup>1)</sup>
15 - 18	26 - 32	2,6 - 3,2	18 - 22	1	4
11 - 14	19 - 25	1,9 - 2,5	13 - 17	1	3

Water hardness				Water hardness adjustment	
German degrees (°dH)	French degrees (TH°)	mmol/l	Clarke degrees	manually	electronically
4 - 10	7 - 18	0,7 - 1,8	5 - 12	1	2
< 4	< 7	< 0,7	< 5	1 <sup>2)</sup>	1 <sup>2)</sup>

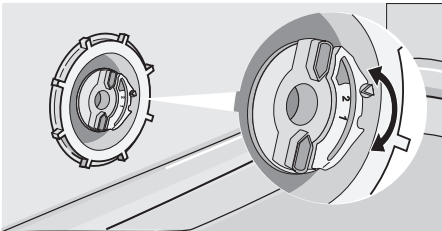
1) Factory position.

2) Do not use salt at this level.

**i** You must adjust the water softener manually and electronically.

### Manual adjustment

Turn the water hardness dial to the position 1 or 2 (refer to the table).



### Electronic adjustment

1. Activate the appliance.
2. Make sure that the appliance is in setting mode.
3. Press and hold the programme button until the programme indicator (A) starts

to flash and the programme indicator (B) comes on.

4. When the programme indicator (B) goes off and the end indicator starts to flash, press the programme button. The programme indicator (A) continues to flash. The electronic adjustment of the water softener is activated.
5. The end indicator shows the setting of the water softener. The number of flashes of the end indicator is the same as the water hardness level (example: 5 flashes / pause / 5 flashes = level 5).
6. Press the programme button to change the adjustment. Press the programme button again and again to change the setting. When the programme button is pressed, the level number increases.
7. Deactivate the appliance to confirm.

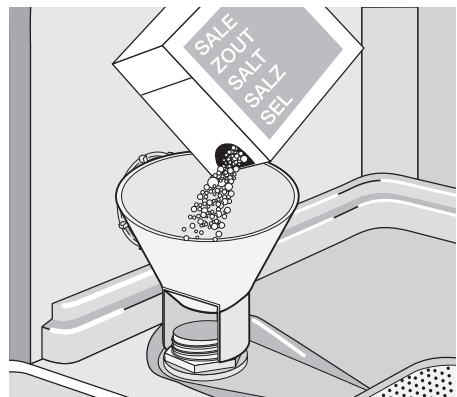
**i** If the water softener is set electronically to the level 1, the salt indicator stays off.

## USE OF DISHWASHER SALT

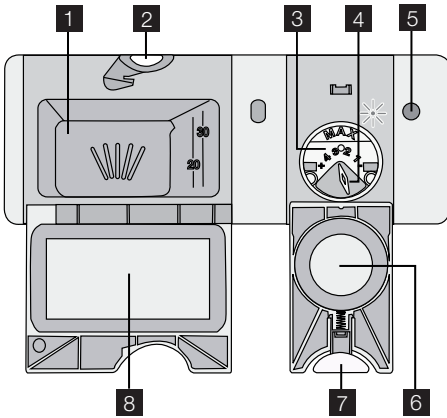
### How to fill the salt container:

1. Turn the cap counterclockwise and open the salt container.
2. Fill the salt container with 1 litre of water (only for the first time you fill with salt).
3. Use the funnel to fill the salt container with salt.
4. Remove the salt around the opening of the salt container.
5. Turn the cap clockwise to close the salt container.


**i** It is correct that water comes out from the salt container when you fill it with salt.



## USE OF DETERGENT AND RINSE AID



### Use of detergent

-  To help the environment, do not use more than the correct quantity of detergent. Obey the instructions on packaging of the detergent .

To fill the detergent dispenser:

1. Press the release button **2** to open the lid **8** .
2. Put the detergent in the detergent dispenser **1** .
3. If the washing programme has a pre-wash phase, put a small quantity of detergent on the inner side of the appliance door.
4. If you use detergent tablets, put the tablet in the detergent dispenser **1** .
5. Close the lid until it locks into position.

- i** Use long washing programmes when you use detergent tablets. Detergent tablets do not fully dissolve with short washing programmes and can decrease the washing results.

### Use of rinse aid

- i** Rinse aid makes it possible to dry the dishes without streaks and stains. Rinse aid is automatically added during the last rinsing phase.

To fill the rinse aid dispenser:

1. Press the release button **7** to open the lid **6** .
2. Fill the rinse aid dispenser **3** with rinse aid. The mark 'max.' shows the maximum level.
3. Remove the spilled rinse aid with an absorbent cloth to prevent foam during the washing programme.
4. Close the lid until it locks into position.

- i** Fill the rinse aid dispenser when the lens **5** is transparent.

### Adjust the rinse aid dosage

Factory set: position 3.

You can set the rinse aid dosage between position 1 (lowest dosage) and position 4 (highest dosage).

Turn the rinse aid selector **4** to increase or decrease the dosage.

### Using combi detergent tablets

These tablets contain agents as detergent, rinse aid and dishwasher salt. Some types of tablets can contain other agents.

When you use tablets, that contain salt and rinse aid, do not fill the salt container and rinse aid dispenser.

Be sure that these tablets are applicable for the water hardness in your area (refer to the instructions on the packaging of the products).

1. Adjust the water hardness to the lowest level. Refer to 'Setting the water softener'.
2. Set the rinse aid dosage to the lowest position. Refer to 'Use of detergent and rinse aid'.

### Using again separately detergent, salt and rinse aid

1. Fill the salt container and the rinse aid dispenser.
2. Adjust the water hardness to the highest level.
3. Start a washing programme without dishes.
4. When the washing programme is completed, adjust the water softener to the water hardness in your area.
5. Adjust the quantity of rinse aid.



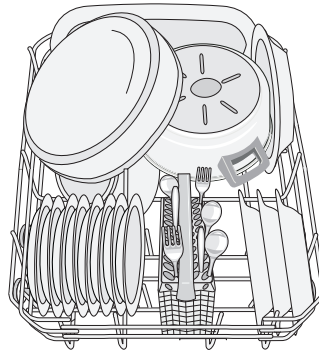
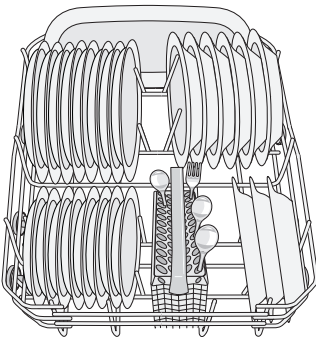
## LOADING CUTLERY AND DISHES

### Hints and tips

- Do not put in the appliance items that can absorb water (sponges, household cloths).
- Remove the remaining food from the items.
- Make soft the remaining burned food on the items.
- Put hollow items (cups, glasses and pans) with the opening down.
- Make sure that water does not collect in containers or in bowls.
- Make sure that cutlery and dishes do not bond together.
- Make sure that the glasses do not touch other glasses.
- Put small items in the cutlery basket.
- Mix the spoons with other cutlery to prevent them to bond together.
- When you put the items in the baskets, make sure that the water can touch all surfaces.
- Put light items in the upper basket. Make sure that the items do not move.
- Water droplets can collect on plastic items and non-stick pans.

### Lower basket

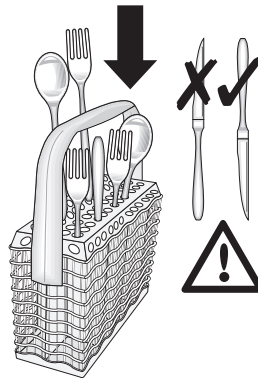
Put the saucepans, lids, plates, salad bowls and cutlery in the lower basket. Arrange the service dishes and large lids around the edge of the basket.



### Cutlery basket

If the dimensions of the cutlery prevent use of the cutlery grid, you can easily remove it. Put the forks and spoons with the handles down.

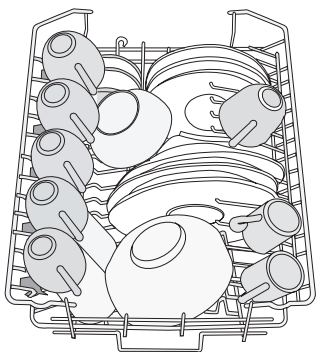
Put the knives with the handles up.



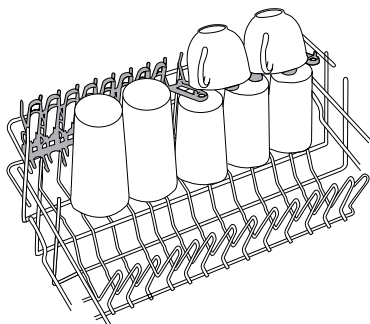
Mix the spoons with other cutlery to prevent them to bond together.

### Upper basket

The upper basket is for plates (maximum 24 cm in diameter), saucers, salad bowls, cups, glasses, pots and lids. Arrange the items to let water touch all surfaces.



Put the glasses with long stems in the cup racks with the stems up. For longer items, fold the cup racks up.



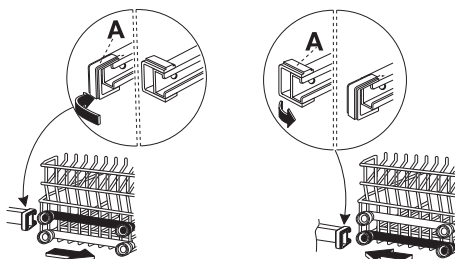
## Adjustment of the height of the upper basket

You can put the upper basket in 2 positions to increase the load flexibility.

Maximum height of the dishes in:		
	the upper basket	the lower basket
Higher position	20 cm	31 cm
Lower position	24 cm	27 cm

Do these steps to move the upper basket to the higher position:

1. Move the front runner stops (A) out.
2. Pull the basket out.



3. Put the basket in the higher position.
4. Put back the front runner stops (A) in their initial position.

**!** **Caution!** If the basket is in the higher position, do not put cups on the cup racks.

## SELECT AND START A WASHING PROGRAMME

### Starting the washing programme

1. Activate the appliance. Make sure that the appliance is in setting mode.
2. To set a washing programme, press the programme button again and again until the related programme indicator comes on.
3. Close the appliance door, the washing programme starts automatically.

### Interruption of a washing programme

- Open the appliance door.
  - The washing programme stops.
- Close the appliance door.
  - The washing programme continues from the point of interruption.

### Cancelling the washing programme

If the washing programme has not started, you can change the selection.

To change the selection while a washing programme operates, it is necessary to cancel the programme.

1. Open the appliance door.
2. Press and hold the programme button until the programme indicator goes off and the end indicator starts to flash.

**i** Make sure that there is detergent in the detergent dispenser before you start a new washing programme.

### End of the washing programme

When the washing programme is completed, an intermittent acoustic signals sounds.

1. Open the appliance door.
  - The end indicator is on.
2. Deactivate the appliance.





**i** For better drying results, keep the appliance door ajar for some minutes.

### Remove the items from the baskets

- Let the dishes become cold before you remove them from the appliance. Hot dishes can be easily damaged.

- First remove the items from the lower basket, then from the upper basket.
- There can be water on the sides and on the door of the appliance. Stainless steel becomes cool more quickly than the dishes.





## WASHING PROGRAMMES

Programme	Type of soil	Type of load	Programme description
	Heavy soil	Crockery, cutlery, pots and pans	Prewash Wash 70 °C Rinses Dry
	Normal soil	Crockery and cutlery	Prewash Wash 65 °C Rinses Dry
	Fresh soil	Crockery and cutlery	Wash 60 °C Rinse
ECO <sup>2)</sup>	Normal soil	Crockery and cutlery	Prewash Wash 50 °C Rinses Dry
	Use this programme to quickly rinse the dishes. This prevents the remaining food to bond on the dishes and bad odours to come out from the appliance. Do not use detergent with this programme.		Rinse

1) With this programme you can wash a load with fresh soil. It gives good washing results in a short time.

2) This is the standard programme for test institutes. With this programme you have the most efficient use of water and energy consumption for crockery and cutlery with normal soil. Refer to the supplied leaflet for test information.

### Consumption values

Programme	Programme time (minute)	Energy (kWh)	Water (litre)
	110 - 120	1,5 - 1,7	18 - 20
	100 - 110	1,4 - 1,5	18 - 20
	30	0,8	8
ECO	120 - 130	0,8 - 0,9	12 - 13
	11	0,01	5

**i** The water pressure and temperature, the variations of the mains supply and

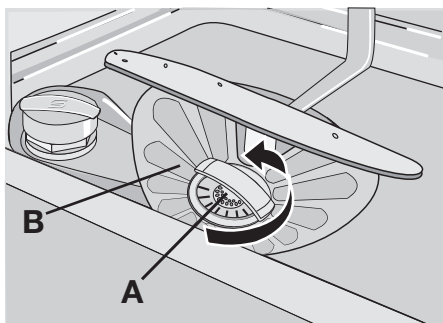
the quantity of dishes can change the consumption values.

## CARE AND CLEANING

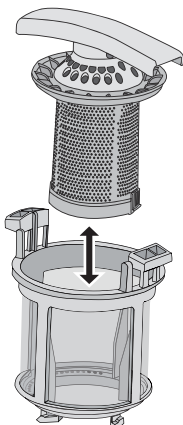
### To remove and clean the filters

Dirty filters decrease the washing results. Although the maintenance is very low with these filters, make a check at intervals and if necessary, clean them.

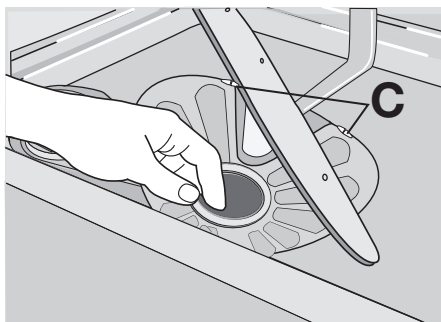
1. Turn the filter (A) counterclockwise and remove it out from filter (B).



2. Filter (A) has two parts. To disassemble the filter, pull them apart.



3. Fully clean the parts with water.
4. Put the two parts of the filter (A) together and push. Make sure that they engage correctly in each other.
5. Remove the filter (B).
6. Fully clean the filter (B) with water.
7. Put the filter (B) to its initial position. Make sure that it engages correctly in the two guides (C).



8. Put the filter (A) into position in filter (B). Turn the filter (A) clockwise until it locks.

### To clean the spray arms

Do not remove the spray arms. If the holes in the spray arms become clogged, remove remaining parts of soil with a thin pointed object.

### To clean the external surfaces

Clean the external surfaces of the appliance and control panel with a moist soft cloth. Only use neutral detergents. Do not use abrasive products, abrasive cleaning pads or solvents (acetone).


## WHAT TO DO IF...

The start of the appliance does not occur or it stops during operation. First try to find a solution to the problem (refer to the table). If not, contact the service centre.

### With some malfunctions the indicators flash to show an alarm code.

Alarm code	Malfunction
<ul style="list-style-type: none"> <li>• The programme indicator flashes continuously.</li> <li>• The end indicator flashes one time intermittently.</li> </ul>	The appliance does not fill with water.

Alarm code	Malfunction
<ul style="list-style-type: none"> <li>The programme indicator flashes continuously.</li> <li>The end indicator flashes two times intermittently.</li> </ul>	The appliance does not drain the water.
<ul style="list-style-type: none"> <li>The programme indicator flashes continuously.</li> <li>The end indicator flashes three times intermittently.</li> </ul>	The anti-flood device is on.

 **Warning!** Deactivate the appliance before you do the checks.

Malfunction	Possible cause	Possible solution
The appliance does not fill with water.	The water tap is blocked or there is limescale on it.	Clean the water tap.
	The water pressure is too low.	Contact your local water authority.
	The water tap is closed.	Open the water tap.
	The filter in the water inlet hose is blocked.	Clean the filter.
	The connection of the water inlet hose is not correct.	Make sure that the connection is correct.
The appliance does not drain the water.	The water inlet hose is damaged.	Make sure that the water inlet hose has no damages.
	There is a blockage in the sink spigot.	Clean the sink spigot.
	The connection of the water drain hose is not correct.	Make sure that the connection is correct.
The anti-flood device is on.	The water drain hose is damaged.	Make sure that the water drain hose has no damages.
		Close the water tap and contact the service centre.
The start of the washing programme does not occur.	The appliance door is open.	Close the appliance door.
	The mains plug is not connected in the mains socket.	Connect the mains plug.
	The fuse in the fuse box is damaged.	Replace the fuse.

After the check, activate the appliance. The programme continues from the point of interruption.

If the malfunction occurs again, contact the service centre.

If the different alarm codes show, contact the service centre.

The necessary information for the service centre is on the rating plate.

Record this information:

- Model (MOD.) .....
- ....
- Product number (PNC) .....
- Serial number (S.N.) .....

### The washing results and drying results are not satisfactory

Problem	Possible cause	Possible solution
The dishes are not clean.	The selected washing programme was not applicable for the type of load and soil.	Make sure that the washing programme is applicable for the type of load and soil.

Problem	Possible cause	Possible solution
	The baskets were not loaded correctly, water did not touch all surfaces.	Load the baskets correctly.
	The spray arms could not turn freely because of incorrect arrangement of the load.	Make sure that an incorrect arrangement of the load does not cause a blockage of the spray arms.
	The filters are dirty or not assembled and installed correctly.	Make sure that the filters are clean and correctly assembled and installed.
	The quantity of detergent was not sufficient or missing.	Make sure that the quantity of detergent is sufficient.
Limescale particles on the dishes.	The salt container is empty.	Fill the salt container with dishwasher salt.
	Incorrect water softener adjustment	Adjust the water softener.
	The salt container cap is not closed correctly.	Make sure that the salt container cap is closed correctly.
There are streaks, milky stains, or a bluish layer on glasses and dishes.	Rinse aid dosage is too high.	Decrease the rinse aid dosage.
Dry water drop stains on glasses and dishes.	Rinse aid dosage is too low.	Increase the rinse aid dosage.
	The detergent can be the cause.	Use a different brand of detergent.
The dishes are wet.	You have set a washing programme without drying phase or with a decreased drying phase.	Let the door stay ajar for some minutes before you remove the dishes.
The dishes are wet and dull.	The rinse aid dispenser is empty.	Fill the rinse aid dispenser with rinse aid.

## TECHNICAL DATA


Dimensions	Width	446 mm
	Height	818 - 898 mm
	Depth	550 mm
Water supply pressure	Minimum	0,5 bar (0,05 MPa)
	Maximum	8 bar (0,8 MPa)
Water supply <sup>1)</sup>	Cold water or hot water	maximum 60 °C
Capacity	Place settings	9

1) Connect the water inlet hose to a water tap with a 3/4" thread.


- i** The rating plate on the inner edge of the appliance door shows the electrical connection data.
- i** If the hot water comes from alternative sources of energy, (e.g. solar panels, photovoltaic panels and aeolian), use a hot water supply to decrease energy consumption.

## ENVIRONMENT CONCERNS

---

The symbol  on the product or on its packaging indicates that this product may not be treated as household waste. Instead it should be taken to the appropriate collection point for the recycling of electrical and electronic equipment. By ensuring this product is disposed of correctly, you will help prevent potential negative consequences for the environment and human health, which could otherwise be

caused by inappropriate waste handling of this product. For more detailed information about recycling of this product, please contact your local council, your household waste disposal service or the shop where you purchased the product.

Recycle the materials with the symbol . Put the packaging in applicable containers to recycle it.



[www.electrolux.com/shop](http://www.electrolux.com/shop)

