

Dishwashers

EIDW5905J S, EIDW5905J W, EIDW5905J B



Eco-Friendly Stainless Steel Interior

Introducing the first 100% reclaimable stainless steel dishwasher tub. The tub can be repurposed when its useful life as a dishwasher is complete—rather than sitting in a landfill.



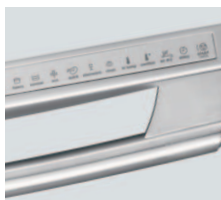
Luxury-Quiet™ Dishwasher¹

So quiet you can run it whenever you want and no one will notice.



ENERGY STAR®

ENERGY STAR®-Qualified means at least 41% less energy is used².



IQ-Touch™ Controls

For those who like to have their options always visible on the IQ-Touch™ control panel.

24" BUILT-IN DISHWASHERS

Features

Stainless Steel Interior	Yes
Signature Soft-Arc Door and Handle Design	Yes
Luxury-Hold™ Door	Yes
IQ-Touch™ Electronic Controls	Yes
Fully Integrated Control Panel	Yes
Tall Tub Design	Yes
SmartSoil™ Sensor	Yes
Luxury-Quiet™ Sound Package	Yes
Sound Level	50dB
Wash Levels	5
AquaLux™ Wash System	Yes
Luxury-Dry™ System	Yes
Adjustable Rinse Aid Dispenser with Indicator	Yes
ENERGY STAR®	Yes
Reclaimable	Yes

Cycles

Auto Wash	Yes
Heavy	Yes
Normal	Yes
Favorite	
Quick	Yes
Rinse Only	Yes

Options

Hi-Temp. Wash	Yes
Air Dry	Yes
NSF® Certified Sanitize Option	Yes
Delay Start (Hours)	2, 4, 6

Rack System

Nylon Rack System	Yes
Luxury-Glide® Nylon Upper Rack –	
Adjustable Height	2-Way
Cup Shelf/Stemware Holder	2/Yes
Fold-Down Tines	2 Rows
Rack Handle	Yes
Luxury-Glide® Nylon Lower Rack –	
Fold-Down Tines	2 Rows
Silverware Basket	3-Piece Split

Specifications

Color –	
Stainless Steel	S
White	W
Black	B
Product Dimensions –	
Height (Adjustable*)	33-7/8" – 34-7/8**
Width	23-3/4"
Depth (to Center of Arc) (with 90° Door Open)	24-5/8" 49-7/8"
Power Supply Location	Right Bottom Front
Water Inlet Location	Left Bottom Front
Water Usage (Gallons) – Normal Cycle	4.9 – 8.5
Water Pressure (PSI)	15 – 120
Integral Air Gap on Supply	Yes
Voltage Rating	120V/60Hz/15A
Connected Load (kW Rating) @ 120 Volts†	1.44
Amps @ 120 Volts	9
Shipping Weight (Approx.)	91 Lbs.

*Height only adjustable to 34-11/16" max. when installed in 35" max. standard cabinetry cutout to allow for 5/16" min. clearance.

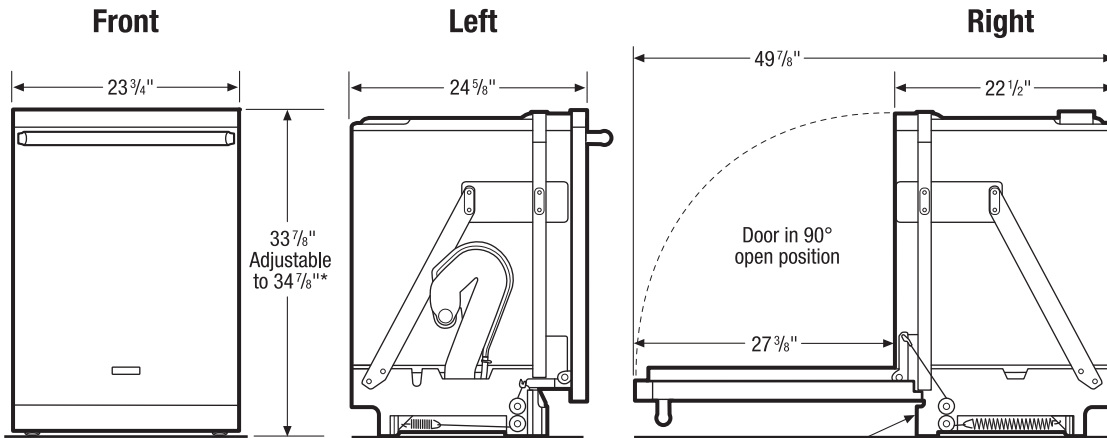
†For use on adequately wired 120V, dedicated circuit having 2-wire service with a separate ground wire. Appliance must be grounded for safe operation.

NOTE: Always consult local and national electric & plumbing codes. Meets requirements of ASSE 1006. Refer to Product Installation Guide for detailed installation instructions on the web at www.electroluxappliances.com.

Specifications subject to change.

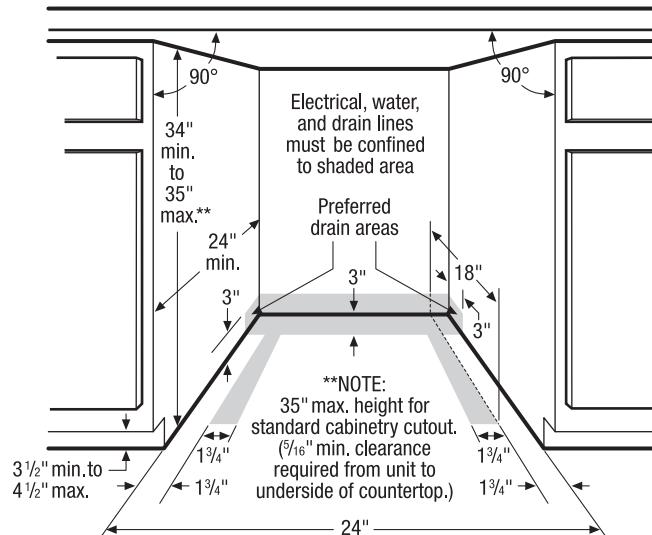
¹Based on published MSRP and specifications. Available on select models.

²Than the federal minimum standard for energy consumption.



*Height only adjustable to 34¹¹/₁₆" max. when installed in 35" max. standard cabinetry cutout

Water inlet location (left bottom front)
Power supply location (right bottom front)



Built-In Dishwasher Specifications

- Product Weight – 75 Lbs.
- Voltage Rating – 120V/60Hz/15 Amps
- Connected Load (kW Rating) @ 120 Volts = 1.44kW (For use on adequately wired 120V, dedicated circuit having 2-wire service with a separate ground wire. Appliance must be grounded for safe operation.)
- Amps @ 120V = 9 Amps
- Always consult local and national electric & plumbing codes. Meets requirements of ASSE 1006.
- Water Pressure – Hot water line to dishwasher must provide between 15 and 120 pounds per square inch (psi).
- Make sure location has right drain, water and electrical outlets to make connections.
- Keep back free of drain, water & electrical supply.
- Electrical and water supplies should enter cabinet opening on floor, or through back or side walls, as shown in shaded areas.

- Connections preferably located toward left side of dishwasher. Do not cross drain, water or electrical lines in front of motor, blower or frame.
- Minimum clearance of 5/16" required from unit to underside of countertop.
- Leveling legs supplied to adjust height. (Note: Height only adjustable to 34-11/16" max. when installed in 35" max. standard cabinetry cutout to allow for 5/16" min. clearance.)
- When installing adjacent to wall, cabinet or other obstruction that extends beyond front edge of unit, allow 2" minimum clearance between opened door and obstruction.
- When installing at end of cabinet line, sides must be fully enclosed.
- Do not install unit under a cooktop, damage may occur.

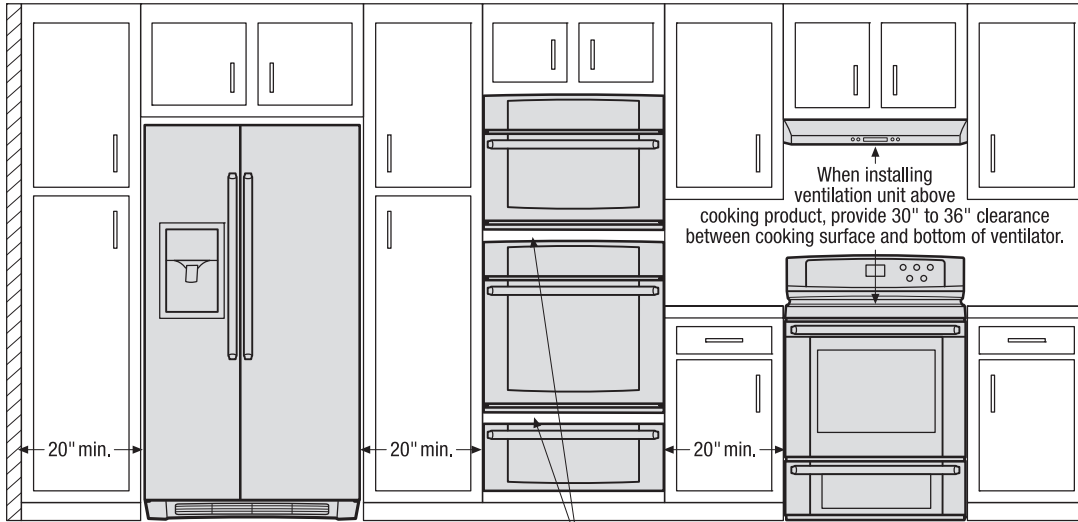
Note: For planning purposes only. Refer to Product Installation Guide on the web at electroluxappliances.com for detailed instructions.

Electrolux Major Appliances, N.A.

USA • 10200 David Taylor Drive • Charlotte, NC 28262 • 1-877-4electrolux (1-877-435-3287) • electroluxappliances.com
CANADA • 5855 Terry Fox Way • Mississauga, ON L5V 3E4 • 1-800-265-8352 • electroluxappliances.ca

Use these dimensions and clearance instructions for planning purposes only. For detailed installation instructions, refer to installation guide, packed with product, or on the web at electroluxappliances.com.

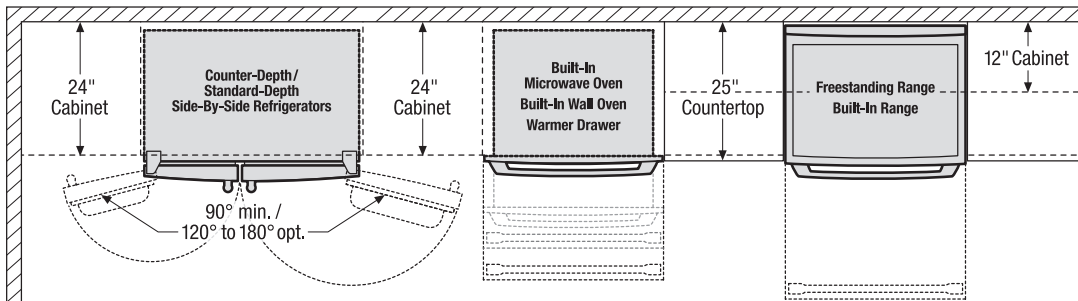
Front



When installing appliances adjacent to each other, 20" minimum distance between each appliance required.

When installing built-in cooking appliances in combination, 2" minimum visible gap between appliance faceplates required.

Top

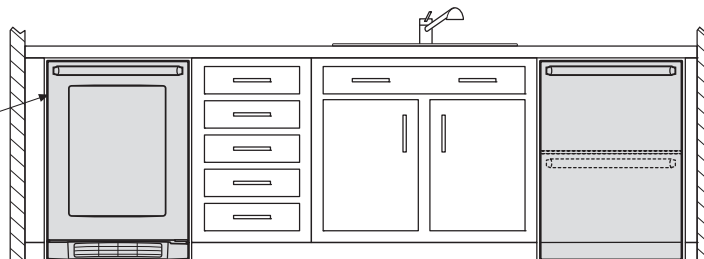


When installing refrigerator adjacent to wall, cabinet or another appliance that extends beyond front edge of unit, 20" minimum clearance recommended to allow for optimum 120° to 180° door swing, providing complete drawer/crisper access and removal.

When installing appliance with sliding drawer or drop-down door directly across from obstructions, provide sufficient clearance for drawer extension or door swing.

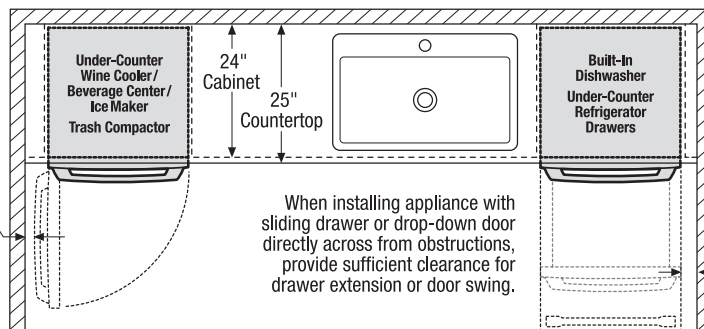
Front

To ensure optimum performance, avoid installing refrigeration appliances in direct sunlight or near heat source.



Top

When installing appliance with side-swing door adjacent to wall, cabinet, or other obstruction that extends beyond front edge of appliance, door swing and handle clearance must be sufficient to allow access to appliance interior.



When installing appliance with sliding drawer or drop-down door directly across from obstructions, provide sufficient clearance for drawer extension or door swing.

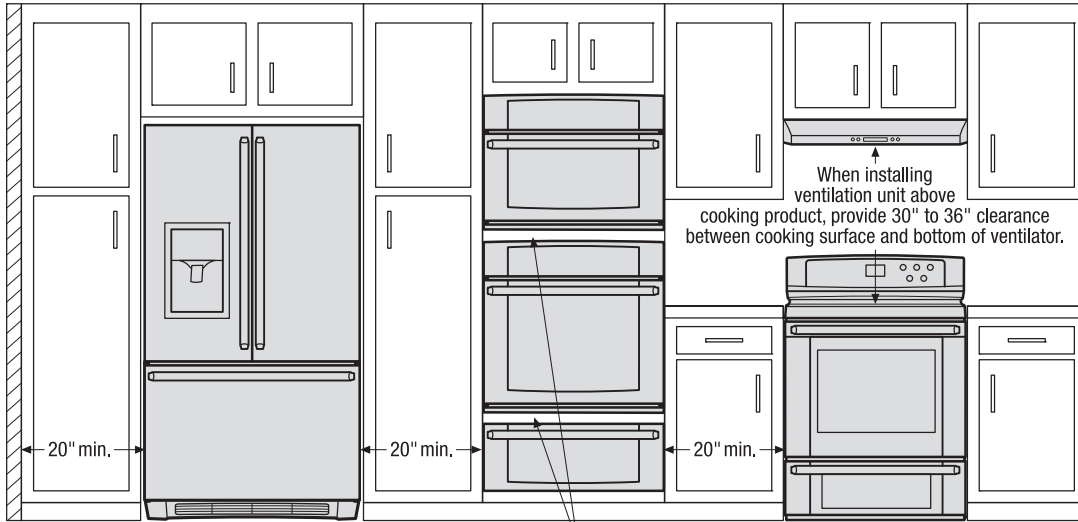
When installing appliance with sliding drawer or drop-down door adjacent to wall, cabinet, or other obstruction that extends beyond front edge of appliance, allow 2" minimum clearance between drawer or door and obstruction.

Electrolux Major Appliances, N.A.

USA • 10200 David Taylor Drive • Charlotte, NC 28262 • 1-877-4electrolux (1-877-435-3287) • electroluxappliances.com
 CANADA • 5855 Terry Fox Way • Mississauga, ON L5V 3E4 • 1-800-265-8352 • electroluxappliances.ca

Use these dimensions and clearance instructions for planning purposes only. For detailed installation instructions, refer to installation guide, packed with product, or on the web at electroluxappliances.com.

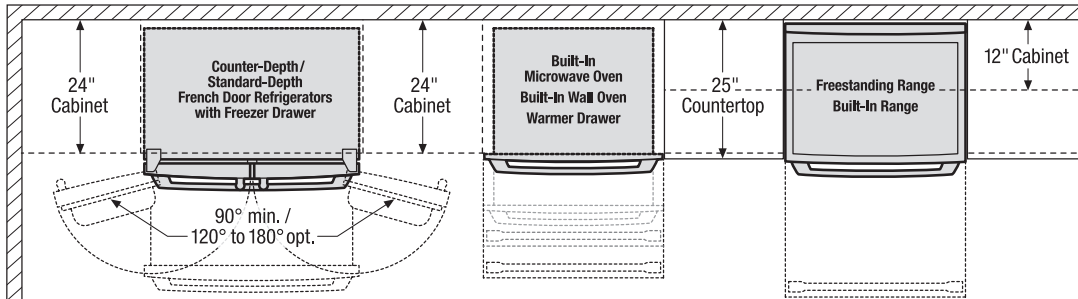
Front



When installing appliances adjacent to each other, 20" minimum distance between each appliance required.

When installing built-in cooking appliances in combination, 2" minimum visible gap between appliance faceplates required.

Top

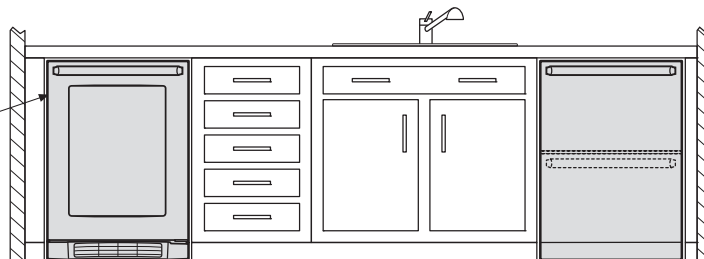


When installing refrigerator adjacent to wall, cabinet or another appliance that extends beyond front edge of unit, 20" minimum clearance recommended to allow for optimum 120° to 180° door swing, providing complete drawer/crisper access and removal.

When installing appliance with sliding drawer or drop-down door directly across from obstructions, provide sufficient clearance for drawer extension or door swing.

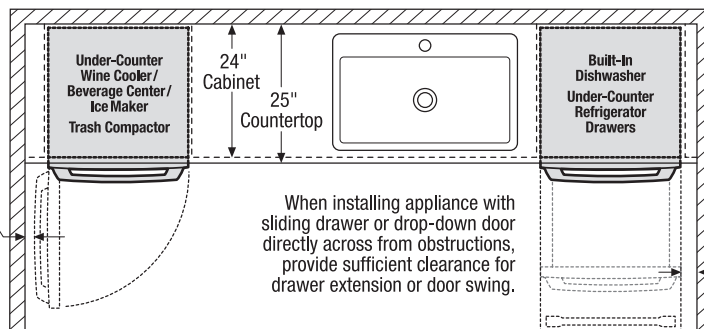
Front

To ensure optimum performance, avoid installing refrigeration appliances in direct sunlight or near heat source.



Top

When installing appliance with side-swing door adjacent to wall, cabinet, or other obstruction that extends beyond front edge of appliance, door swing and handle clearance must be sufficient to allow access to appliance interior.



When installing appliance with sliding drawer or drop-down door directly across from obstructions, provide sufficient clearance for drawer extension or door swing.

When installing appliance with sliding drawer or drop-down door adjacent to wall, cabinet, or other obstruction that extends beyond front edge of appliance, allow 2" minimum clearance between drawer or door and obstruction.

Electrolux Major Appliances, N.A.

USA • 10200 David Taylor Drive • Charlotte, NC 28262 • 1-877-4electrolux (1-877-435-3287) • electroluxappliances.com
 CANADA • 5855 Terry Fox Way • Mississauga, ON L5V 3E4 • 1-800-265-8352 • electroluxappliances.ca