

Electrolux Dishwashing

Glasswashers WT1

The Electrolux Dishwashing range is produced for customers with the highest conceivable demands for good efficiency, economy and ergonomics for dishwashing operation. The product range comprises glasswashers, undercounter dishwashers, hood type dishwashers, rack type dishwashers, flight type dishwashers and pot and pan washers. The glasswasher range consists of units with different charging holes, that may handle glasses up to 210 mm height.



402010

EASY TO INSTALL AND MAINTAIN

- Models equipped with drain pump to facilitate installation.
- Rinse booster pump available to be installed on site.
- Simple service from the front.

EASY TO CLEAN

- The glasswashers have smooth surfaces and a fully pressed wash tank with rounded corners to facilitate cleaning.
- All the internal elements (arms and filter) are easily extractable.
- 304 AISI stainless steel front and side panels, load bearing frame, wash tank, tank filter and wash and rinse arms.

EASY TO USE

- Built-in rinse water heater to increase the temperature of the final rinse water.
- Built-in rinse aid detergent dispenser for perfect rinsing results.
- Simple control panel.
- Two cycles (120 and 300 seconds); the longer cycle allows the washing of crockery with a higher degree of soil.
- An extra program for cold rinsing of beer glasses.

CONSTRUCTION FEATURES

- Double skinned construction.
- Wash/rinse arms and nozzles in stainless steel.
- Completely closed on the reverse by a cover plate.
- All models finished in top quality materials to aid durability.

EASY ON THE ENVIRONMENT

- 98% recyclable by weight.
- CFC free packaging.
- Low noise level.
- Developed and produced in ISO 9001 and ISO 14001 certified factory.



Electrolux

**Electrolux Dishwashing
Glasswashers WT1**

	WT1N 402041	WT1 402010	WT1WS 402042	WT1TOP 402043	WT1N4 402046
TECHNICAL DATA					
Water supply					
pressure min. , max. - bar	2, 3	2, 3	2, 3	2, 3	2, 3
temperature - °C	10	10	10	10	10
hardness - °f	7-14	>14	>14	>14	7-14
hardness - °d	4-8	>8	>8	>8	4-8
Cold rinse	●	●	●	●	●
Water softener		●	●	●	
Drain pump		●		●	●
Rinse Booster Pump				●	
N° of cycles	2	2	2	2	2
Duration cycles - sec.	120/300	120/300	120/300	120/300	120/300
Basket capacity/h	30	30	30	30	30
External dimensions - mm					
width	460	460	460	460	460
depth	565	565	565	565	565
height	635	635	635	635	635
Cell dimensions - mm					
width	400	400	400	400	400
depth	400	400	400	400	400
height	210	210	210	210	210
Washing cycle					
temperature - °C	55-65	55-65	55-65	55-65	55-65
tank capacity - lt.	6	6	6	6	6
power pump - kW	0.3	0.3	0.3	0.3	0.3
electrical elements - kW	0.8	0.8	0.8	0.8	0.8
Cold rinse cycle					
duration - sec.	10	10	10	10	10
temperature - °C	10	10	10	10	10
water consumption - lt./cycle	2	2	2	2	2
Hot rinse cycle					
duration - sec.	16	16	16	16	16
temperature during rinse - °C	80-90	80-90	80-90	80-90	80-90
water consumption - lt./cycle	2.3	2.3	2.3	2.3	2.3
Boiler capacity - lt.	5	5	5	5	5
Boiler elements - kW	3	3	3	3	4.5
Power - kW					
drain pump		0.034		0.034	0.034
total power	3.3	3.3	3.3	3.3	4.8
Net weight - kg.	34	34	34	34	34
INCLUDED ACCESSORIES					
BASKET FOR GLASSES+SAUCERS/CUTLERY INS.	1	1	1	1	
BASKET FOR GLASSES-395X395X100 MM					1
INSERT FOR 14 SAUCERS					1
YELLOW CUTLERY CONTAINER					1
ACCESSORIES					
BASKET F.GLASSES-ANGLED BASE-395X395X200	867056	867056	867056	867056	867056
BASKET FOR GLASSES+SAUCERS/CUTLERY INS.	867055	867055	867055	867055	867055
BASKET FOR GLASSES-395X395X100 MM	867053	867053	867053	867053	867053
BASKET FOR GLASSES-395X395X200 MM	867054	867054	867054	867054	867054
COVER GRID FOR SMALL/LIGHT ITEMS IN RACK	867016	867016	867016	867016	867016
FILTER FOR PARTIAL DEMINERALIZATION	864017			864017	864017
FILTER FOR TOTAL DEMINERALIZATION	864015			864015	864015
INCLINED INSERT FOR CUPS	867061	867061	867061	867061	867061
INSERT FOR 14 SAUCERS	867060	867060	867060	867060	867060
INSERT FOR"FLUTE"GLASSES	867058	867058	867058	867058	867058
KIT 4 PLASTIC BOXES FOR CUTLERY-YELLOW	865574	865574	865574	865574	865574
KIT TO MEASURE TOTAL/PART.WATER HARDNESS	864050	864050	864050	864050	864050
RINSE BOOSTER PUMP KIT	867063	867063	867063		867063
ROUND BASKET KIT WITH SQUARE FRAME	867057	867057	867057	867057	867057
YELLOW CUTLERY CONTAINER	864242	864242	864242	864242	864242

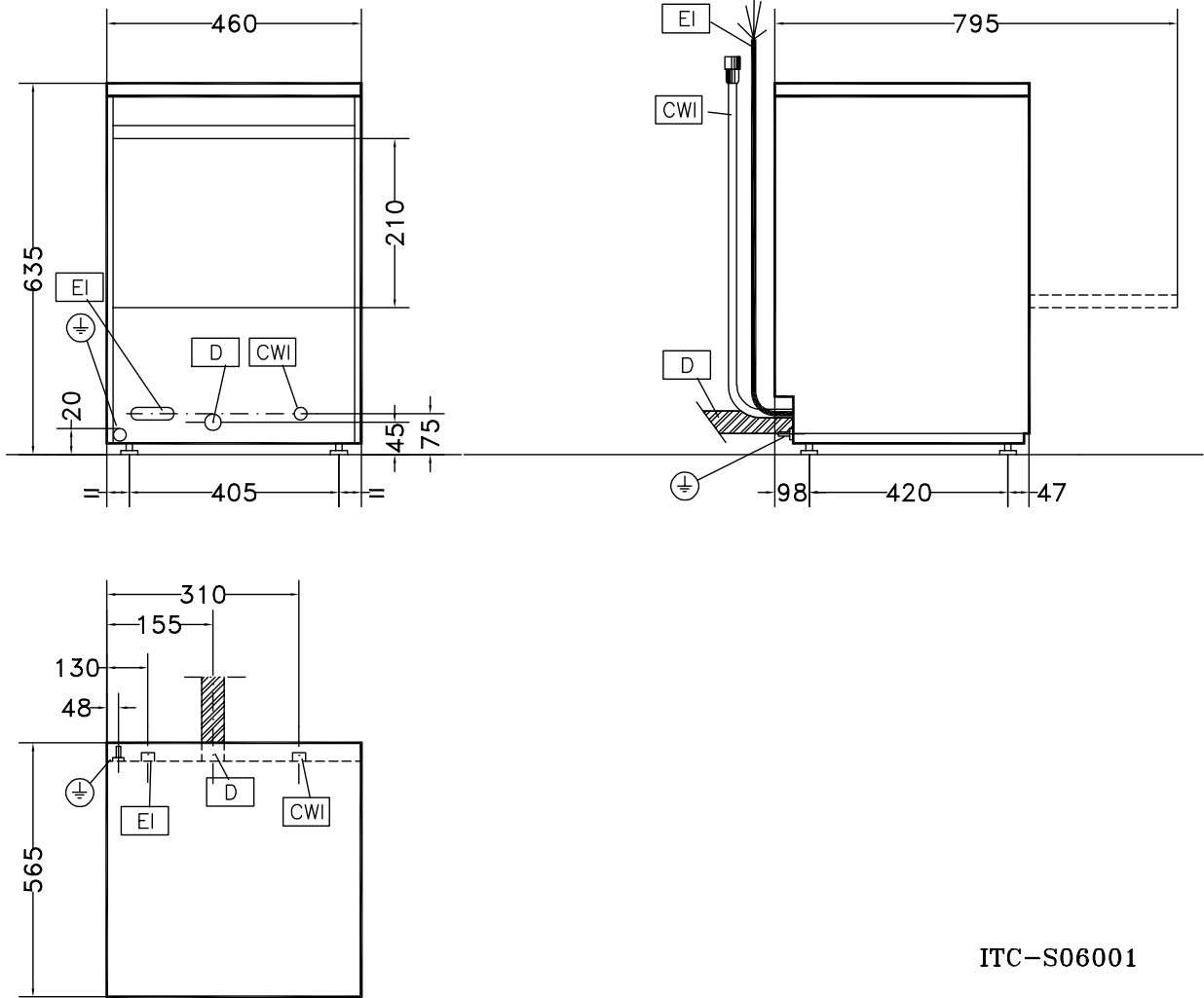
IAA010

2009-06-19

Subject to change without notice

Electrolux Dishwashing
Glasswashers WT1

402041, 402042



ITC-S06001

LEGEND	WT1N 402041	WT1WS 402042
	CWI - Cold water inlet	G 3/4"
D - Water drain	22mm	22mm
EI - Electrical connection	230 V, 1N, 50	230 V, 1N, 50

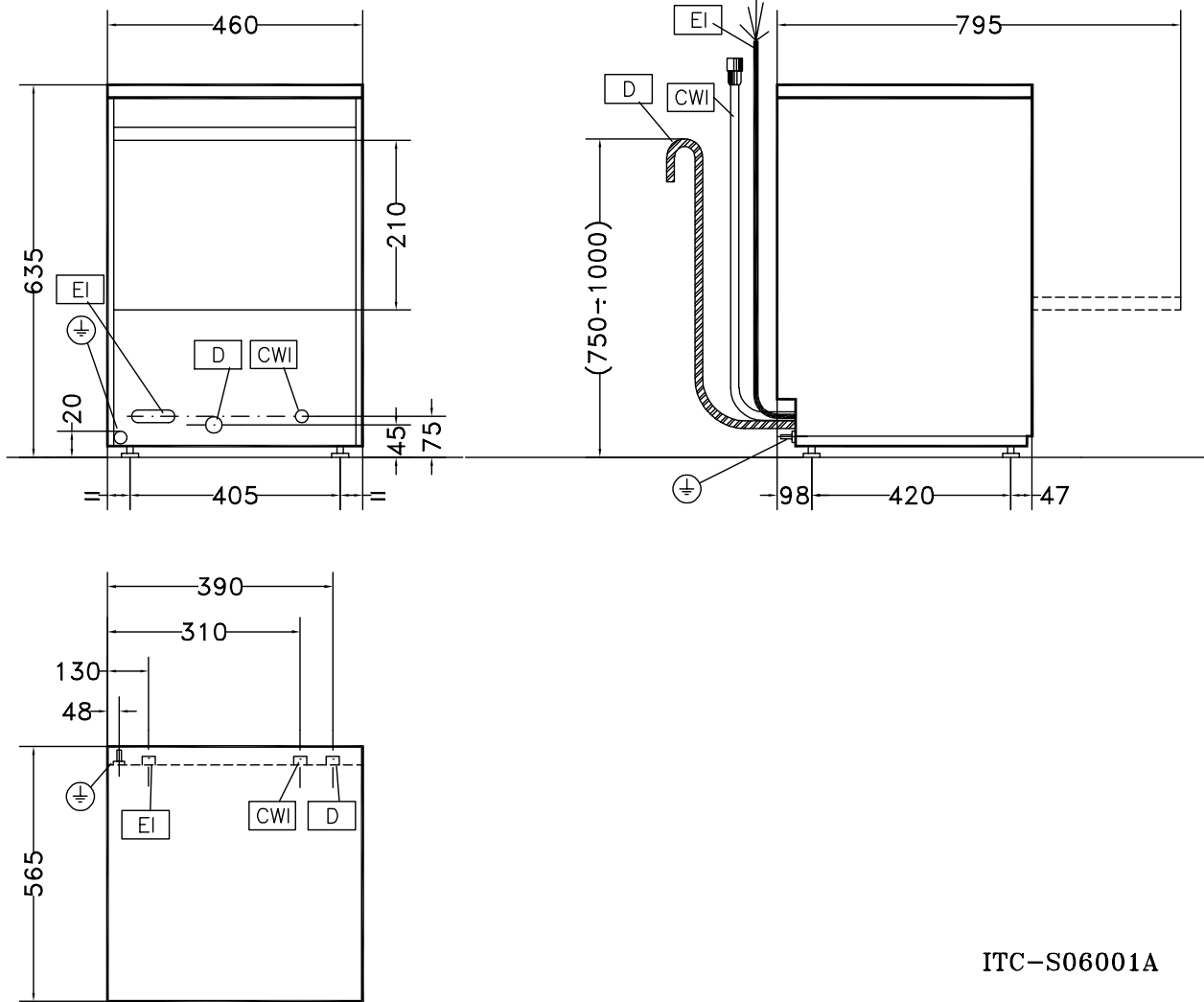
IAA010

2009-06-19

Subject to change without notice

**Electrolux Dishwashing
Glasswashers WT1**

402010, 402046, 402043



IAA010

2009-06-19

Subject to change without notice

	WT1 402010	WT1TOP 402043	WT1N4 402046
LEGEND			
CWI - Cold water inlet	G 3/4"	G 3/4"	G 3/4"
D - Water drain	27mm	27mm	27mm
EI - Electrical connection	230 V, 1N, 50	230 V, 1N, 50	400 V, 3N, 50