

Part No. NN47250-308 (324137-B)
June 2008

4655 Great America Parkway
Santa Clara, CA 95054

Nortel WLAN—Series 2332 Access Points Quick Installation



NORTEL

Copyright © 2007-2008 Nortel Networks. All rights reserved.

The information in this document is subject to change without notice. The statements, configurations, technical data, and recommendations in this document are believed to be accurate and reliable, but are presented without express or implied warranty. Users must take full responsibility for their applications of any products specified in this document. The information in this document is proprietary to Nortel Networks.

Trademarks

Nortel, Nortel Networks, the Nortel logo, and the Globemark are trademarks of Nortel Networks. All other products or services may be trademarks, registered trademarks, service marks, or registered service marks of their respective owners.

The asterisk after a name denotes a trademarked item.



Restricted rights legend

Use, duplication, or disclosure by the United States Government is subject to restrictions as set forth in subparagraph (c)(1)(ii) of the Rights in Technical Data and Computer Software clause at DFARS 252.227-7013.

Notwithstanding any other license agreement that may pertain to, or accompany the delivery of, this computer software, the rights of the United States Government regarding its use, reproduction, and disclosure are as set forth in the Commercial Computer Software-Restricted Rights clause at FAR 52.227-19.

Statement of conditions

In the interest of improving internal design, operational function, and/or reliability, Nortel reserves the right to make changes to the products described in this document without notice.

Nortel does not assume any liability that may occur due to the use or application of the product(s) or circuit layout(s) described herein.

Portions of the code in this software product may be Copyright © 1988, Regents of the University of California. All rights reserved. Redistribution and use in source and binary forms of such portions are permitted, provided that the above copyright notice and this paragraph are duplicated in all such forms and that any documentation, advertising materials, and other materials related to such distribution and use acknowledge that such portions of the software were developed by the University of California, Berkeley. The name of the University may not be used to endorse or promote products derived from such portions of the software without specific prior written permission.

SUCH PORTIONS OF THE SOFTWARE ARE PROVIDED "AS IS" AND WITHOUT ANY EXPRESS OR IMPLIED WARRANTIES, INCLUDING, WITHOUT LIMITATION, THE IMPLIED WARRANTIES OF MERCHANTABILITY AND FITNESS FOR A PARTICULAR PURPOSE.

In addition, the program and information contained herein are licensed only pursuant to a license agreement that contains restrictions on use and disclosure (that may incorporate by reference certain limitations and notices imposed by third parties).

Regulatory Compliance Statements for WLAN Series 2332 Access Points

The WLAN Series 2332 Access Points consist of the following models:

2332-A1, 2332-A2, 2332-A3, 2332-A4, 2332-A5, 2332-A6, 2332-E1, 2332-E2, 2332-E3, 2332-E4, 2332-E5, 2332-E6, 2332-E7, 2332-E8, 2332-E9, and 2332-J1.

Federal Communications Commission (FCC) Compliance Notices

This section includes the following FCC statements for the WLAN 2332-A1 and related Series 2332 access points:

- FCC ID: RVW2332 (Applies to 2332-A1)
- Class B Interference Statement
- RF Radiation Exposure & Hazard Warning
- Non-Modification Statement
- Deployment Statement

Class B Interference Statement

This equipment has been tested and found to comply with the limits for a Class B digital device, pursuant to Part 15 of the FCC Rules. These limits are designed to provide reasonable protection against harmful interference in a residential installation. This equipment generates, uses, and can radiate radio frequency energy and, if not installed and used in accordance with the instructions, may cause harmful interference to radio communications. However, there is no guarantee that interference will not occur in a particular installation. If this equipment does cause harmful interference to radio or television reception, which can be determined by turning the equipment off and on, the user is encouraged to try to correct the interference by one or more of the following measures:

- Reorient or relocate the receiving antenna.
- Increase the separation between the equipment and receiver.
- Connect the equipment into an outlet on a circuit different from that to which the receiver is connected.
- Consult the dealer or an experienced radio/TV technician for help.

FCC Caution:

This device complies with Part 15 of the FCC Rules. Operation is subject to the following two conditions: (1) This device may not cause harmful interference, and (2) this device must accept any interference received, including interference that may cause undesired operation.

RF Radiation Exposure & Hazard Statement

To ensure compliance with FCC RF exposure requirements, this device must be installed in a location such that the antenna of the device will be greater than 20 cm (8 in.) away from all persons. Using higher gain antennas and types of

antennas not covered under the FCC certification of this product is not allowed. Installers of the radio and end users of the product must adhere to the installation instructions provided in this manual.

This transmitter must not be co-located or operating in conjunction with any other antenna or transmitter.

Non-Modification Statement

Use only the supplied internal antenna, or external antennas supplied by the manufacturer. Unauthorized antennas, modifications, or attachments could damage the WLAN 2332-A1 and related Series 2332 access points and violate FCC regulations. Any changes or modifications not expressly approved by the party responsible for compliance could void the user's authority to operate this equipment. Contact Nortel for a list of approved 2.4 GHz and 5.0 GHz external antennas.

This device must be operated with the CAT-5 Ethernet cable installed on each activated Ethernet Port of a Series 2332 access point to ensure compliance with the Class B emissions standards. Failure to comply with this installation requirement may cause the device to operate in excess of the allowable emissions limits.

Deployment Statement

This product is certified for indoor deployment only. **Do not** install or use this product outdoors.

Dynamic Frequency Selection (DFS) in the 5.0 GHz UNII bands

The 2332-A1 access point has been prohibited, via software, from operating in the 5250 to 5350 MHz and 5470 to 5725 MHz frequency bands for the US and Canada because it cannot meet the DFS requirements as outlined in the rules of the FCC for Part 15, Subpart E that come into force on July 20, 2007.

Canadian IC Statement

IC: 332R-2332 (Applies to 2332-A1).

Operation is subject to the following two conditions in Canada:

- 1) this device may not cause interference, and
- 2) this device must accept any interference, including interference that may cause undesired operation of the device

To prevent radio interference to the licensed service (i.e. co-channel Mobile Satellite systems) this device is intended to be operated indoors and away from windows to provide maximum shielding. Equipment (or its transmit antenna) that is installed outdoors is subject to licensing and not supported by the WLAN 2332-A1 access point.

Because high power radars are allocated as primary users (meaning they have priority) in the 5250 to 5350 MHz band, these radars could cause interference and/or damage to license exempt WLAN devices.

European Union and European Free Trade Association (EFTA) Regulatory Compliance


This equipment may be operated in the countries that comprise the member countries of the European Union and the European Free Trade Association. These countries, listed in the following paragraph, are referred to as The European Community throughout this document:

AUSTRIA, BELGIUM, BULGARIA, CYPRUS, CZECH REPUBLIC, DENMARK, ESTONIA, FINLAND, FRANCE, GERMANY, GREECE, HUNGARY, IRELAND, ITALY, LATVIA, LITHUANIA, LUXEMBOURG, MALTA,

NETHERLANDS, POLAND, PORTUGAL, ROMANIA, SLOVAKIA, SLOVENIA, SPAIN, SWEDEN, UNITED KINGDOM, ICELAND, LICHTENSTEIN, NORWAY, SWITZERLAND

The WLAN Access Point 2332-E1 and related Series 2332 access points communicate with a Nortel Networks WLAN - Security Switch using a standard CAT-5 (Category 5) or higher 10/100 Mbps twisted pair Ethernet cable to provide wireless local area networking (WLAN) capabilities. The WLAN Access Point 2332-E1 and related Series 2332 access points include one 802.11a and one 802.11b/g radio and two 802.11a and two 802.11b/g omnidirectional internal antennas. In addition, the 2332-E1 and related Series 2332 access points can use optional factory-supplied external omnidirectional and/or directional high-gain antennas, one per the 802.11b/g and one per the 802.11a radios, as described in the external antenna section of the WLAN Series 2332 Access Point Installation Guide. When using the external antennas, connect them to the reverse-polarity R-SMA connectors located on the side of the WLAN 2332-E1 or related Series 2332 Access Point.

Declaration of Conformity

Marking by this symbol 

indicates compliance with the Essential Requirements of the R&TTE Directive of the European Union (1999/5/EC). This equipment meets the following conformance standards:

Safety: EN 60950-1:2001 + A11:2004

EMC: EN 55022:2006, EN 55024:1998 + A1:2001 + A2:2003, EN 301-489-1 v1.6.1, EN 301-489-17 v1.2.1, CISPR22:1997, CISPR24

Including: EN 61000-3-2, -3-3, -4-2, -4-3, -4-4, -4-5, -4-6 and -4-11. The product is also licensed as required for additional country specific standards as required for the International Marketplace.

Radio: EN 300-328 v.1.7.1 (2006-10) & EN 301-893 v.1.3.1 (2005-08)

NOTE: The 2332-E1 and related Series 2332 access points meet all of the technical specifications of EN 301-893 v1.3.1 for operation in the 5.0 GHz bands, **except** the DFS requirements. The 2332-E1 and associated Series 2332 access points were tested to and are compliant with the DFS requirements of EN 301-893 v1.2.3.

Electromagnetic compatibility and Radio spectrum Matters (ERM); Wideband transmission systems; Data transmission equipment operating in the 2.4 GHz ISM band and using wide band modulation techniques and Broadband Radio Access Networks (BRAN); 5 GHz high performance RLAN. Certifications are harmonized to the EN standards covering essential requirements under article 3.2 of the R&TTE Directive. Compliance includes testing with antennas as specified in attached table.

SAR: EN 50385:2002

European Community Declaration of Conformity

WLAN Radio Model 2332, as stated in the following Declarations of Conformity, represents all models in the Series 2332 as listed above.

Bulgaria	български С това, Nortel обявява, че този модел на радио на WLAN Радио Модел 2332, е със съгласие с съществените изисквания и други важни условия на директива 1999/5 на европейски съюз
Czech Republic	Ěesky Norteltímto prohlašuje, že tento WLAN Rádío Model 2332, je ve shodí se základními požadavky a dalšími pøíslušnými ustanoveními smírnice 1999/5/ES.
Denmark	Dansk Undertegnede Nortel erklærer herved, at følgende udstyr WLAN Radio Model 2332, overholder de væsentlige krav og øvrige relevante krav i direktiv 1999/5/EF.
English	English Hereby, Nortel declares that this WLAN Radio Model 2332, is in compliance with the essential requirements and other relevant provisions of Directive 1999/5/EC.
Estonia	Eesti Käesolevaga kinnitab Nortelseadme WLAN Radio Model 2332, vastavust direktiivi 1999/5/EÜ põhinõuetele ja nimetatud direktiivist tulenevatele teistele asjakohastele sätetele.
Finland	Suomi Nortel vakuuttaa täten että WLAN Radio Esikuvallinen 2332, tyyppinen laite on direktiivin 1999/5/EY oleellisten vaatimusten ja sitä koskevien direktiivin muiden ehtojen mukainen.
France	Français Par la présente Nortel déclare que l'appareil Model Par radio 2332 de WLAN, est conforme aux exigences essentielles et aux autres dispositions pertinentes de la directive 1999/5/CE.
Germany	Deutsch Hiermit erklärt Nortel., dass sich das Gerät WLAN Radiomodell 2332, in Übereinstimmung mit den grundlegenden Anforderungen und den übrigen einschlägigen Bestimmungen der Richtlinie 1999/5/EG befindet.

Greece	ΕΛΛΗΝΙΚΗ ΪΑ ΟΪΙ ΔΑΝΪΟΪΑ Nortel. ÇĒ.ΪĂĒ ΪŌĒ WLAN ραδιο πρότυπο 2332, ΟΪΪΪΝŌ.ΪĂŌĂĒ ΔΝΪŌ ŌĒŌ ΪŌŌĒ..ĂĒŌ ĂΔĂĒŌÇŌĂĒŌ ĒĂĒ ŌĒŌ ĒΪĒΔĂŌ Ō×ĂŌĒĒĂŌ .ĒĂŌĂΪĂĒŌ ŌÇŌ Ϊ.ÇĂĒĂŌ 1999/5/ĂĒ.
Hungary	Magyar Alulírott, Nortelnyilatkozom, hogy a WLAN Rádió Minta 2332, megfelel a vonatkozó alapvető követelményeknek és az 1999/5/EC irányelv egyéb előírásainak.
Italy	Italiano Con la presente Norteldichiara che questo Modello Radiofonico 2332 di WLAN, è conforme ai requisiti essenziali ed alle alter disposizioni pertinenti stabilite dalla direttiva 1999/5/CE.
Latvia	Latviski Ar šo Norteldeklarā, ka WLAN Radio Model 2332, atbilst Direktīvas 1999/5/EK būtiskajām prasībām un citiem ar to saistītajiem noteikumiem.
Lithuania	Lietuvių Šiuo Norteldeklaruoja, kad šis WLAN Radio Model 2332, atitinka esminius reikalavimus ir kitas 1999/5/EB Direktyvos nuostatas.
Malta	Malti Hawnekk, Nortel., jiddikjara li dan WLAN Radio Model 2332, jikkonforma mal-tijjiet essenzjali u ma provvedimenti orajn relevanti li hemm fid-Dirrettiva 1999/5/EC.
Netherlands	Netherlands Hierbij verklaart Nortel dat het toestel WLAN Radiomodel 2332, in overeenstemming is met de essentiële eisen en de andere relevante bepalingen van richtlijn 1999/5/EG.
Poland	Polski Niniejszym Nortelooewiadczam, że WLAN Radio Model 2332, jest zgodny z zasadniczymi wymogami oraz pozosta³ymi stosownymi postanowieniami Dyrektywy 1999/5/EC.
Portugal	Português Norteldeclara que este Modelo De rádio 2332 de WLAN, está conforme com os requisitos essenciais e outras disposições da Directiva 1999/5/CE.
Romania	Român Astfel, Nortel declarã acel acest WLAN Radio Model 2332, este în conformitate cu cerinþele necesare ³i proviziile alte semnificative de Directive 1999 5 EC.

Slovakia	Slovensky Norteltýmto vyhlasuje, že WLAN Radio Model 2332 spáda základné požiadavky a všetky príslušné ustanovenia Smernice 1999/5/ES.
Slovenia	Slovensko Nortelizjavlja, da je ta WLAN Radio Model 2332, v skladu z bistvenimi zahtevami in ostalimi relevantnimi določili directive 1999/5/ES.
Spain	Español Por medio de la presente Norteldeclara que el Modelo De radio 2332 de WLAN, cumple con los requisitos esenciales y cualesquiera otras disposiciones aplicables o exigibles de la Directiva 1999/5/CE.
Sweden	Svenska Härmed intygar Nortelatt denna WLAN Radiotelegrafera till Modell 2332, står i överensstämmelse med de väsentliga egenskapskrav och övriga relevanta bestämmelser som framgår av direktiv 1999/5/EG.

Countries of Operation & Restrictions of Use in the European Community

Operation Using the 2.400 to 2.4835 GHz Channels in the European Community

The professional installer should use the configuration utility provided with this product to verify the current channel of operation, the expected transmit power level, and to confirm that the device is operating in conformance with the spectrum usage rules for the selected European Community country. **If operation is occurring outside of the allowable channels as indicated in this guide, then operation of the product must cease immediately** and the installer must consult with the local technical support staff responsible for the wireless network.

This device is intended to be operated in all countries of the European Community. Additional restrictions of use for the 2332-E1 and related Series 2332 access points within the European Community countries in the 2.400 to 2.4835 GHz band are listed below.

- The frequencies associated with channels 1 to 13 in the 2.400 to 2.4835 GHz band are allowed to be used either indoors or outdoors in all countries of the European Community, except where noted below:
- In **Greece, Italy, Latvia, and Spain** the end-user must apply for a license from the national spectrum authority to operate this device outdoors. Please consult the Nortel WLAN 2300 Series Outdoor Solutions Guide for further information regarding restrictions and operating conditions for outdoor configurations.
- In **France**, the following operation is permitted:
 - Outdoor operation is **only** permitted using the 2.400 - 2.454 GHz band, which includes channels 1 to 7, at a maximum EIRP of 100 mW (20 dBm).
 - Outdoor operation is permitted in the 2.400 to 2.4835 GHz band on channels 1 to 13 at a maximum EIRP of 10 mW (10 dBm).
 - Indoor operation is permitted in the 2.400 to 2.4835 GHz band on channels 1 to 13 at a maximum EIRP of 100 mW (20 dBm).

The 2332-E1 and related Series 2332 access points, whether using the internal or approved external antennas, are guaranteed to meet this limit by automatically adjusting the transmit power level through the operating software depending upon the gain of the selected antenna.

Operation Using the 5.15 to 5.25 GHz, 5.25 to 5.35 GHz, and 5.470 to 5.725 GHz Channels in the European Community

To remain in conformance with European National spectrum usage laws, follow the channel limitations associated with the 5 GHz bands as specified in this document. The professional installer should verify the current channel of operation and the expected transmit power level of the WLAN 2332-E1 or related Series 2332 access point to confirm that the device is operating in conformance with the spectrum usage rules for the European Community country where the unit is being installed. **If operation is occurring outside of the allowable frequencies or above the power levels, as indicated in this guide, then operation of the product must cease immediately** and the installer must consult with the local technical support staff responsible for the wireless network.

This device is intended to be operated in all countries of the European Community. Additional restrictions of use for the 2332-E1 and related Series 2332 access points within the European Community countries in the 5.15 to 5.25 GHz, 5.25 to 5.35 GHz, and 5.470 to 5.725 GHz bands are listed below.

- This device is restricted to **indoor** use only when operated in the European Community using the 5.15-5.25 GHz and 5.25-5.35 GHz bands, which includes channels 36, 40, 44, 48, 52, 56, 60 & 64.
- The **5 GHz Turbo Mode** feature is not allowed for operation in any European Community country.
- Operation for the 2332-E1 is restricted to the 5.15 to 5.25 GHz band. No operation is permitted in either the 5.25 to 5.35 GHz or 5.470 to 5.725 GHz bands because the device is noncompliant with the DFS requirements stated in EN 301-893 v1.3.1.

- In **Italy** and **Latvia** the end-user must apply for a license from the national spectrum authority to operate this device outdoors. Please consult the Nortel WLAN 2300 Series Outdoor Solutions Guide for further information regarding restrictions and operating conditions for outdoor configurations.

Dynamic Frequency Selection (DFS)

The 2332-E1 and related Series 2332 access points implement a DFS feature in accordance with the limits in EN 301-893v1.2.3, Section 4.6 and Annex D, Tables D.1, D.2 & D.4 for a device operating in the mode defined as “Master”. Section 4.6, Tables 6 and 7 of this document define the requirements prior to using a channel and during normal operation for a Master device (i.e., Interference Detection Threshold, Channel Availability Check Time, Uniform Spreading, Channel Closing Transmission Time and Channel Move Time). This product qualifies for this category since the maximum achievable transmit power is greater than 23 dBm per the requirements of Table D.2 in Annex D of the standard.

IEEE 802.11a operation in the 5250 to 5350 MHz and 5470 to 5725 MHz frequency bands is governed by ETSI EN 301-893v1.2.3 and the R&TTE Directive 1999/5/EC. Effective March 31, 2008, EN 301-893 v1.2.3 will be replaced by EN 301-893v1.3.1. The 2332-E1 access point will meet compliance with EN 301-893v1.3.1 by disabling operation, via software, in the 5250 to 5350 MHz and 5470 to 5725 MHz frequency bands because it cannot meet the DFS requirements as outlined in EN 301-893v1.3.1.

Transmit Power Control (TPC)

European Regulatory requirements specify that wireless devices must employ Transmit Power Control (TPC) to reduce the potential for interference to other communication systems operating in the 5 GHz frequency bands. This device includes a provision for adjustment of Transmit Power in accordance with the limits in EN 301-893v1.2.3, Sections 4.3.1 and 4.3.2.

Korea MIC Compliance Statement

당해 무선설비는 운영 중 전파혼신 가능성이 있음

Possible radio wave interference during operation of concerned radio equipment.

B. For Home Use (Class B device)

B 급 기기 (가정용 정보통신기기)

이 기기는 가정용으로 전자파 적합 등록을 받은 기기로서,
주거 지역에서는 물론 모든 지역에서 사용할 수 있습니다.

This product obtained EMC Registration for home use. It can be used in all areas, including homes.

Taiwan Compliance Statement

802.11b/802.11g/BT 警語：

第十二條→經型式認證合格之低功率射頻電機，非經許可，公司，商號或使用者均不得擅自變更頻率、加大功率或變更原設計之特性及功能。

第十四條→低功率射頻電機之使用不得影響飛航安全及干擾合法通信；經發現有干擾現象時，應立即停用，並改善至無干擾時方得繼續使用。

前項合法通信，指依電信法規定作業之無線電通信。低功率射頻電機須忍受合法通信或工業、科學及醫療用電波輻射性電機設備之干擾。

Article 12

Without permission granted by the NCC, any company, enterprise, or user is not allowed to change frequency, enhance transmitting power or alter original characteristic as well as performance to an approved low power radio-frequency device.

Article 14

The low power radio-frequency devices shall not influence aircraft security and interfere with legal communications. If found, the user shall cease operating immediately until no interference is achieved.

The said legal communications means radio communications is operated in compliance with the Telecommunications Act.

The low power radio-frequency devices must be susceptible with the interference from legal communications or ISM radio wave radiated devices.

LP002**802.11a 警語 .**

4.7→無線傳輸設備(U-NII)

4.7.5→在 5.25-5.35 赫茲頻帶內操作之無線資訊傳輸設備，限於室內使用。

4.7.6→無線資訊傳輸設備忍受合法通信之干擾且不得干擾合法通信；如造成干擾，應立即停用，俟無干擾之虞，始得繼續使用。

4.7.7→無線資訊傳輸設備的製造廠商應確保頻率穩定性，如依製造廠商使用手冊上所述正常操作，發射的信號應維持於操作頻帶中。

加印警語→「避免電波干擾，本器材禁止於室外使用 5.25-5.35 赫茲頻帶」於器材使用說明書內，並將警語印製貼紙可黏貼於裝設器材機身外明處。

4.7.5 Within the 5.25-5.35 GHz band, U-NII devices will be restricted to indoor operations to reduce any potential for harmful interference to co-channel MSS operations.

4.7.6 The operation of the U-NII devices is subject to the conditions that no harmful interference is caused. The user must stop operating the device immediately should harmful interference be caused and shall not resume until the condition causing the harmful interference has been corrected.

Moreover, the interference must be accepted that may be caused by the operation of an authorized communications, or ISM equipment.

4.7.7 Manufacturers of U-NII devices are responsible for ensuring frequency stability such that an emission is maintained within the band of operation under all conditions of normal operation as specified in the user manual.

External Antenna Statement

Intentional radiators, such as the Nortel WLAN Series 2332 Access Point, are not intended to be operated with any antenna(s) other than those furnished by Nortel. An intentional radiator may only be operated with the antenna(s) with which it is authorized. For a complete listing of the authorized antennas for use with this product, visit

<http://www.nortel.com/support>

In order to ensure continued compliance, use of an antenna not on the Nortel approved antenna list is not allowed without specific authorization from Nortel. For additional questions or inquiries regarding specific antennas, contact Nortel at 1-800-4NORTEL (1-800-466-7835), and use express routing code (ERC) 1572.

Use of an antenna not specifically authorized by Nortel may not comply with local regulatory requirements with respect to radiated emission limits and may result in illegal operation of the product. The installer of the wireless system and associated antenna is required to ensure that only those antennas on the Nortel approved antenna list or those antennas specifically approved by Nortel on a case by case basis are deployed with the intentional radiator.

Be sure to associate the appropriate antenna model number and localized regulatory region when selecting the Nortel authorized antenna(s).

Country Specific External Antenna Restrictions

The following list of countries cannot use the Nortel approved antennas listed in the table. Use of these antennas would violate the local regulatory rules and approved certifications for that country or operation is not allowed in the specified frequency bands.

Country	2.4 GHz	5.0 GHz
Costa Rica		ALL antenna models
Indonesia		ALL antenna models
Japan		S51514WPN36RSM
		S4901790PN36RS
		SR49120DAN36RS
	SR24120DN36RSM	
Korea	S2406PN36RSM	S51514WPN36RSM
	S2409PN36RSM	S4901790PN36RS
	PC2415NA36RSM	SR49120DAN36RS
	S241290PN36RSM	
	SR24120DN36RSM	
Nigeria		ALL antenna models
Russian Federation		ALL antenna models
Thailand		ALL antenna models

Contents

How to get help	17
Déclaration de conformité à la réglementation pour le Série 2332 Points D'Accès	18
Déclaration d'Industrie Canada	20
Déclaration sur les antennes externes	27
Obtenir de l'aide	29
Erklärungen zur Einhaltung behördlicher Bestimmungen für WLAN - Familie von 2332 Zugriffspunkte ein	31
Wo erhalte ich Support?	41
Dichiarazioni di adempimento normativo per la serie di WLAN 2332 Access Points	43
Dichiarazione IC	45
Richieste di assistenza	53
Declarações de conformidade normativa para o pontos de acesso WLAN Série 2332	54
Declaração IC do Canadá	56
Cómo obtener ayuda	64
Cumplimiento regulatorio del Punto de acceso de la serie 2332 de WLAN	65
Declaración de IC de Canadá	67
Países de funcionamiento y restricciones de uso de la Comunidad Europea	72
Como obter ajuda	76
WLAN—Access Point 2330s	79
Cable requirements	80
Suspended ceiling installation—flush ceiling tiles	81
Suspended ceiling installation—drop ceiling tiles	84
Junction box installation	87
Solid wall or ceiling installation	89
Configuring the AP	91
Warning conventions	93
Qualified service personnel warning	94
Radio safety warnings	95

How to get help

This section explains how to get help for Nortel products and services.

Getting help from the Nortel web site

The best way to get technical support for Nortel products is from the Nortel Technical Support Web site:

<http://www.nortel.com/support>

This site provides quick access to software, documentation, bulletins, and tools to address issues with Nortel products. More specifically, the site enables you to:

- download software, documentation, and product bulletins
- search the Technical Support Web site and the Nortel Knowledge Base for answers to technical issues
- sign up for automatic notification of new software and documentation for Nortel equipment
- open and manage technical support cases

Getting help over the phone from a Nortel solutions center

If you don't find the information you require on the Nortel Technical Support Web site, and have a Nortel support contract, you can also get help over the phone from a Nortel Solutions Center.

In North America, call 1-800-4NORTEL (1-800-466-7835).

Outside North America, go to the following Web site to obtain the phone number for your region:

<http://www.nortel.com/callus>

Getting help from a specialist by using an express routing code

To access some Nortel Enterprise Technical Support (NETS) Centers, you can use an Express Routing Code (ERC) to quickly route your call to a specialist in your Nortel product or service. To locate the ERC for your product or service, go to:

<http://www.nortel.com/erc>

Getting help through a Nortel distributor or reseller

If you purchased a service contract for your Nortel product from a distributor or authorized reseller, contact the technical support staff for that distributor or reseller.

Déclaration de conformité à la réglementation pour le Série 2332 Points D'Accès

Les séries de WLAN 2332 points d'accès comprennent les modèles suivants:

2332-A1, 2332-A2, 2332-A3, 2332-A4, 2332-A5, 2332-A6, 2332-E1, 2332-E2, 2332-E3, 2332-E4, 2332-E5, 2332-E6, 2332-E7, 2332-E8, 2332-E9, 2332-J1.

Notices de conformité à la FCC (Federal Communications Commission)

Cette section comporte les déclarations de la FCC suivantes pour le point d'accès 2332-A1 et séries relatives 2332 points d'accès:

- FCC ID: RVW2332 (S'applique à 2332-A1)
- Déclaration relative aux interférences de classe B
- Avertissement de la FCC sur l'exposition aux radiations :
- Déclaration de non-modification
- Déclaration sur le déploiement

Déclaration relative aux interférences de classe B

Cet équipement a été testé et déclaré conforme aux limites imposées aux équipements numériques de classe B, conformément à la clause 15 du règlement de la FCC. Ces limites garantissent une protection adaptée contre les interférences nuisibles lorsque l'équipement fonctionne dans un environnement résidentiel. Cet équipement génère, utilise et peut produire des émissions radioélectriques et, s'il n'est pas installé et utilisé conformément au mode d'emploi, il peut entraîner des interférences nuisibles aux communications radio. Cependant, nous ne pouvons vous garantir qu'aucune interférence ne se produira dans une installation particulière. Si cet équipement provoque des interférences nuisibles à la réception des radios ou des télévisions (éteignez puis allumez l'équipement pour déterminer si c'est le cas), nous encourageons les utilisateurs à essayer de corriger l'interférence à l'aide des mesures suivantes :

- Réorientez ou déplacez l'antenne de réception.
- Éloignez le matériel du récepteur.
- Branchez l'équipement à une prise sur un circuit différent de celui du récepteur.
- Pour obtenir de l'aide, consultez votre revendeur ou un technicien spécialisé en radio/télévision.

Avertissement de la FCC :

Cet appareil est conforme à la section 15 de la réglementation FCC. Son fonctionnement est soumis aux deux conditions suivantes : (1) il ne doit pas provoquer d'interférences gênantes et (2) il doit tolérer les interférences reçues, y compris celles susceptibles d'en perturber le fonctionnement.

Déclaration de la FCC sur l'exposition aux radiations :

Pour garantir le respect des exigences de la FCC à propos de l'exposition aux radiations, ce périphérique doit être installé dans un emplacement permettant de tenir les personnes éloignées à plus de 20 cm de son antenne. L'utilisation d'antennes plus puissantes et de types d'antenne non soumis à la certification FCC de ce produit est interdite. Les installateurs de la radio et les utilisateurs finals du produit doivent obéir aux instructions d'installation fournies dans le présent manuel. Ce transmetteur ne doit pas résider dans le même endroit ni fonctionner en même temps que tout autre transmetteur ou toute autre antenne.

Déclaration de non-modification

Utilisez uniquement l'antenne interne fournie ou des antennes externes fournies par le constructeur. L'utilisation d'antennes non autorisées, toute modification ou tout branchement non autorisés risquerait d'endommager le point d'accès WLAN 2332-A1 et séries relatives 2332 points d'accès et d'enfreindre les règles de la FCC. Tout changement ou toute modification effectués sans l'approbation de Nortel pourra rendre nulle l'autorisation accordée à l'utilisateur pour l'exploitation de cet équipement. Pour obtenir la liste des antennes externes agréées de 2,4 GHz et 5,0 GHz, prenez contact avec Nortel.

Ce périphérique doit être employé avec le câble CAT-5 Ethernet installé sur chaque port Ethernet AP Série 2332 activé conformément aux normes sur les émissions de classe B. Le non-respect de cette exigence d'installation risque d'engendrer des émissions excédant les limites autorisées pendant le fonctionnement.

Déclaration sur le déploiement

Ce produit est certifié pour un déploiement uniquement en intérieur. Evitez d'installer ou d'utiliser ce produit à l'extérieur.

Choix dynamique de fréquence (DFS) dans les bandes de 5.0 gigahertz UNII

Le point d'accès 2332-A1 a été interdit, par l'intermédiaire du logiciel, du fonctionnement dans les bandes de fréquence de 5250 à 5350 mégahertz et de 5470 à 5725 mégahertz pour les USA et le Canada parce qu'il ne peut pas répondre aux exigences de DFS conformément aux règles de la FCC pour la partie 15, Subpart E qui entrent en vigueur juillet 20, 2007.

Déclaration d'Industrie Canada

IC: 332R-2332 (S'applique à 2332-A1).

Au Canada, le fonctionnement du périphérique est soumis aux deux conditions suivantes :

1. il ne doit pas provoquer d'interférences et
2. il doit accepter toutes les interférences, y compris celles qui risquent d'entraver son fonctionnement

Pour empêcher l'émission d'interférences radio dans le service licencié (systèmes de communications mobiles par satellite à canal commun), cet appareil doit fonctionner uniquement en intérieur et doit être tenu éloigné des fenêtres pour un maximum de protection. L'équipement (ou son antenne de transmission) installé à l'extérieur peut être soumis à une licence particulière et ne pas être pris en charge par le point d'accès WLAN 2332-A1.

Du fait que des radars de forte puissance jouent le rôle d'utilisateurs principaux (ce qui signifie qu'ils sont prioritaires) dans la bande comprise de 5250 à 5350 MHz, ils peuvent provoquer des interférences et/ou des dommages susceptibles d'interdire l'exploitation des périphériques WLAN sous licence.

Conformité à la réglementation de l'EFTA (European Union and European Fair Trade Association)

Le présent équipement peut fonctionner dans les pays membres de l'EFTA. Ces pays, désignés sous le nom de Communauté européenne dans ce document, sont les suivants :

AUTRICHE, BELGIQUE, BULGARIE, CHYPRE, RÉPUBLIQUE TCHÈQUE, DANEMARK, ESTONIE, FINLANDE, FRANCE, ALLEMAGNE, GRÈCE, HONGRIE, IRLANDE, ITALIE, LETTONIE, LITHUANIE, LUXEMBOURG, MALTE, PAYS-BAS, POLOGNE, PORTUGAL, ROUMANIE, SLOVAQUIE, SLOVÉNIE, ESPAGNE, SUÈDE, ROYAUME UNI, ISLANDE, LICHTENSTEIN, NORVÈGE, SUISSE

Le point d'accès WLAN 2332-E1 et séries relatives 2332 points d'accès communiquent avec un commutateur de sécurité WLAN Nortel Networks via un câble Ethernet à paire torsadée CAT-5 (Category 5) standard ou 10/100 Mbps supérieur pour fournir des fonctions de réseau local sans fil (WLAN). Le point d'accès WLAN modèle 2332-E1 et séries relatives 2332 points d'accès incluent une radio 802,11a, une radio 802,11b/g ainsi que deux antennes radio 802,11a et deux antennes internes omnidirectionnelles 802,11b/g. En outre, le point d'accès 2332-E1 et séries relatives 2332 points d'accès peut, le cas échéant, utiliser des antennes puissantes omnidirectionnelles externes fournies par l'usine et/ou des antennes directionnelles puissantes, une pour la radio 802,11b/g et une pour la radio 802,11a, comme indiqué dans la section sur les antennes externes du guide d'installation du point d'accès WLAN modèles Série 2332.

Si vous optez pour les antennes externes, branchez-les aux connecteurs R-SMA à polarité inverse situés sur le côté du point d'accès WLAN 2332-E1 ou séries relatives 2332 de point d'accès.

Déclaration de conformité

Figurant à proximité du texte, ce symbole



indique la conformité aux spécifications essentielles de la directive R&TTE de l'Union européenne (1999/5/EC).
Cet équipement obéit aux normes de conformité suivantes :

Sécurité : EN 60950-1:2001 + A11:2004

CEM : EN 55022:2006, EN 55024:1998 + A1:2001 + A2:2003, EN 301-489-1 v1.7.1, EN 301-489-17 v1.3.2,
CISPR22:1997, CISPR24

Y compris : EN 61000-3-2, -3-3, -4-2, -4-3, -4-4, -4-5, -4-6 et -4-11. Dans le cadre de sa diffusion sur le marché international, le produit est également régi par une licence conforme aux normes en vigueur dans les pays d'utilisation.

Radio : EN 300-328 v.1.7.1 (2006-10) & EN 301-893 v.1.3.1 (2005-03)

NOTE: Les 2332-E1 et les séries relatives 2332 points d'accès rencontrent toutes les caractéristiques techniques d'en 301-893 v1.3.1 pour l'opération dans les bandes de 5.0 gigahertz, excepté les conditions de DFS. Les 2332-E1 et les séries associées 2332 points d'accès ont été examinés à et sont conformes avec les conditions de DFS d'en 301-893 v1.2.3.

Questions relatives à la compatibilité électromagnétique et aux bandes de fréquences radio ; systèmes de transmission large bande ; équipement de transmission de données dans la bande ISM 2,4 GHz et utilisation des techniques de modulation large bande et réseaux BRAN (d'accès à large bande) ; réseau local sans fil 5 GHz à hautes performances. Les certifications sont harmonisées avec les normes EN concernant les spécifications essentielles de l'article 3,2 de la directive R&TTE. La conformité comprend les essais des antennes, comme indiqué dans le tableau joint.

SAR : EN 50385:2002

Déclaration de conformité propre à la Communauté européenne

Le model par radio 2332 de WLAN, comme indiqués dans les déclarations suivantes de la conformité, représente tous les modèles de la série 2332 comme énuméré ci-dessus.

Table 1.

Bulgarie	<p>български</p> <p>С това, Nortel обявява, че този модел на радио на WLAN Радио Модел 2332, е със съгласие с съществените изисквания и други важни условия на директива 1999/5 на европейски съюз</p>
Allemagne	<p>Deutsch</p> <p>Hiermit erklärt Nortel., dass sich das Gerät WLAN Radiomodell 2332, in Übereinstimmung mit den grundlegenden Anforderungen und den übrigen einschlägigen Bestimmungen der Richtlinie 1999/5/EG befindet.</p>
Anglais	<p>English</p> <p>Hereby, Nortel declares that this WLAN Radio Model 2332, is in compliance with the essential requirements and other relevant provisions of Directive 1999/5/EC.</p>
Danemark	<p>Dansk</p> <p>Undertegnede Nortel erklærer herved, at følgende udstyr WLAN Radio Model 2332, overholder de væsentlige krav og øvrige relevante krav i direktiv 1999/5/EF.</p>
Espagne	<p>Español</p> <p>Por medio de la presente Nortel declara que el Modelo De radio 2332 de WLAN, cumple con los requisitos esenciales y cualesquiera otras disposiciones aplicables o exigibles de la Directiva 1999/5/CE.</p>
Estonie	<p>Eesti</p> <p>Käesolevaga kinnitab Nortelseadme WLAN Radio Model 2332, vastavust direktiivi 1999/5/EÜ põhinõuetele ja nimetatud direktiivist tulenevatele teistele asjakohastele sätetele.</p>
Finlande	<p>Suomi</p> <p>Nortel vakuuttaa täten että WLAN Radio Esikuvallinen 2332, tyyppinen laite on direktiivin 1999/5/EY oleellisten vaatimusten ja sitä koskevien direktiivin muiden ehtojen mukainen.</p>
France	<p>Français</p> <p>Par la présente Nortel déclare que l'appareil Model Par radio 2332 de WLAN, est conforme aux exigences essentielles et aux autres dispositions pertinentes de la directive 1999/5/CE.</p>

Table 1.

Grèce	ΕΛΛΗΝΙΚΗ Ἰἂ ὀΐ ḍἈḆἶḆḆḆḆḆ Nortel. ḆḆ.ἸἈḆ ἶḆḆ WLAN ρἈḆἶο πሬḆἶḆἶο 2332, ὀḆἶἶἶḆḆ.ἸἈḆἈḆ ḆḆἶḆ ὀḆḆ ἶḆḆḆḆ.ἈḆḆ ἈḆἈḆḆḆḆḆḆḆ ḆἈḆ ὀḆḆ ḆἶḆḆḆḆ ὀḆḆḆḆḆḆḆḆ ḆἈḆḆḆḆḆḆ ὀḆḆ Ἰ.ḆḆḆḆḆḆḆ 1999/5/ἈḆ.
Hongrie	Magyar Alulírott, Nortelnyilatkozom, hogy a WLAN Rádió Minta 2332, megfelel a vonatkozó alapvető követelményeknek és az 1999/5/EC irányelv egyéb előírásainak.
Italie	Italiano Con la presente Norteldichiara che questo Modello Radiofonico 2332 di WLAN, è conforme ai requisiti essenziali ed alle alter disposizioni pertinenti stabilite dalla direttiva 1999/5/CE.
Lettonie	Latviski Ar šo Norteldeklarā, ka WLAN Radio Model 2332, atbilst Direktīvas 1999/5/EK būtiskajām prasībām un citiem ar to saistītajiem noteikumiem.
Lithuanie	Lietuvių Šiuo Norteldeklaruoja, kad šis WLAN Radio Model 2332, atitinka esminius reikalavimus ir kitas 1999/5/EB Direktyvos nuostatas.
Malte	Malti Hawnhekk, Nortel., jiddikjara li dan WLAN Radio Model 2332, jikkonforma mal-tiijiet essenzjali u ma provvedimenti orajn rilevanti li hemm fid-Direttiva 1999/5/EC.
Pays-Bas	Netherlands Hierbij verklaart Nortel dat het toestel WLAN Radiomodel 2332, in overeenstemming is met de essentiële eisen en de andere relevante bepalingen van richtlijn 1999/5/EG.
Pologne	Polski Niniejszym Nortel oświadczam, że WLAN Radio Model 2332, jest zgodny z zasadniczymi wymogami oraz pozostałymi stosownymi postanowieniami Dyrektywy 1999/5/EC.
Portugal	Português Nortel declara que este Modelo De rádio 2332 de WLAN, está conforme com os requisitos essenciais e outras disposições da Directiva 1999/5/CE.

Table 1.

République tchèque	Èesky Norteltímto prohlašuje, že tento WLAN Rádio Model 2332, je ve shodì se základními požadavky a dalšími pøíslušnými ustanoveními smìrnice 1999/5/ES.
Roumanie	Român Astfel, Nortel declarã acel acest WLAN Radio Model 2332, este în conformitate cu cerinþele necesare °i proviziile alte semnificative de Directive 1999 5 EC.
Slovakia	Slovensky Norteltýmto vyhlasuje, že WLAN Radio Model 2332 spãda základné požiadavky a všetky pøísušné ustanovenia Smernice 1999/5/ES.
Slovénie	Slovensko Nortelizjavlja, da je ta WLAN Radio Model 2332, v skladu z bistvenimi zahtevami in ostalimi relevantnimi doloèili directive 1999/5/ES.
Suède	Svenska Härmed intygar Nortelatt denna WLAN Radiotelegrafera till Modell 2332, står I överensstämelse med de väsentliga egenskapskrav och övriga relevanta bestämmelser som framgår av direktiv 1999/5/EG.

Pays dans lesquels le fonctionnement est autorisé et restrictions d'utilisation dans la Communauté européenne

Fonctionnement utilisant les canaux compris entre 2400 et 24835 GHz dans la Communauté européenne

À l'aide de l'utilitaire de configuration fourni avec le produit, l'installateur professionnel doit vérifier le canal de fonctionnement ainsi que le niveau de puissance de transmission attendu, et s'assurer que le fonctionnement du périphérique est conforme aux règles d'utilisation du spectre en vigueur dans le pays de la Communauté européenne sélectionné. **Si le canal utilisé se trouve en dehors de la fourchette admise dans ce guide, le fonctionnement du périphérique doit être interrompu immédiatement** et l'installateur doit consulter le personnel technique responsable du réseau sans fil.

Ce périphérique est conçu pour fonctionner dans tous les pays de la Communauté européenne. D'autres restrictions relatives à l'utilisation du point d'accès 2332-E1 et séries relatives 2332 points d'accès avec la bande de fréquences comprises de 2400 à 24835 GHz à l'intérieur de la Communauté européenne sont recensées ci-après.

- Les fréquences associées aux canaux 1 à 13 dans la bande de fréquences de 2400 à 24835 GHz sont utilisables en intérieur et en extérieur dans tous les pays de la Communauté européenne, à l'exception des suivants :
- En **Grèce**, en **Italie**, en **Lettonie**, et en **Espagne** que l'utilisateur doit faire une demande pour un permis à partir de l'autorité nationale de spectre d'actionner ce dispositif dehors. Veuillez consulter le Nortel WLAN le guide extérieur de 2300 solutions de série pour de plus amples informations concernant des restrictions et les conditions de fonctionnement pour des configurations extérieures.
- En **France**, le fonctionnement est soumis aux conditions suivantes :
 - Le fonctionnement en extérieur est autorisé uniquement dans la bande de fréquences de 2400 à 2454 GHz, comprenant les canaux 1 à 7, à une puissance isotrope rayonnée équivalente (EIRP) maximale de 100 mW (20 dBm).
 - Le fonctionnement en extérieur est autorisé dans la bande de fréquences de 2400 à 24835 GHz, pour les canaux 1 à 13, à une valeur d'EIRP maximale de 10 mW (10 dBm).
 - Le fonctionnement en intérieur est autorisé dans la bande de fréquences de 2400 à 24835 GHz, pour les canaux 1 à 13, à une valeur d'EIRP maximale de 100 mW (20 dBm).

Qu'il utilise l'antenne interne ou une antenne externe agréée, le modèle 2332-E1 et séries relatives 2332 points d'accès sont garantis pour respecter cette limite en ajustant le niveau de puissance de transmission au moyen du logiciel d'exploitation selon le gain de l'antenne sélectionnée.

Fonctionnement utilisant les canaux compris de 5,15 à 5,25 GHz, de 5,25 à 5,35 GHz, et de 5,470 à 5,725 GHz dans la Communauté européenne

Pour vous conformer aux lois régissant l'utilisation des fréquences radio dans les pays européens, suivez les restrictions associées aux bandes de 5 GHz décrites dans ce document. L'installateur professionnel doit vérifier le canal de fonctionnement ainsi que le niveau de puissance de transmission attendu du point d'accès WLAN 2332-E1 ou séries relatives 2332 de point d'accès pour être certain que le fonctionnement du périphérique est conforme aux règles d'utilisation du spectre en vigueur dans le pays de la Communauté européenne. **Si le canal se trouve en dehors de la fourchette admise dans ce guide ou si le niveau de puissance est supérieur au niveau admis, le fonctionnement du périphérique doit être interrompu immédiatement** et l'installateur doit consulter le personnel technique responsable du réseau sans fil.

Ce périphérique est conçu pour fonctionner dans tous les pays de la Communauté européenne. Dans les pays de la Communauté européenne, l'utilisation du point d'accès 2332-E1 et séries relatives 2332 points d'accès avec les bandes de fréquences de 5,15 à 5,25 GHz, de 5,25 à 5,35 GHz et de 5,470 à 5,725 GHz fait l'objet de restrictions supplémentaires recensées ci-après.

- Dans ces pays, le périphérique est limité à un usage en intérieur pour les bandes de fréquences de 5,15 à 5,25 GHz et de 5,25 à 5,35 GHz, comprenant les canaux 36, 40, 44, 48, 52, 56, 60 et 64.
- L'utilisation de la fonction Mode Turbo 5 GHz n'est autorisée dans aucun pays de la Communauté européenne.
- L'opération pour le 2332-E1 est limitée à la bande de 5.15 à 5.25 GHz. Il n'est pas autorisé dans les bandes de fréquences comprises de 5,25 à 5,35 GHz ou de 5,470 à 5,725 GHz, car le périphérique n'obéit pas aux exigences DFS stipulées par la norme EN 301-893 v1.3.1.

- En **l'Italie** et **Lettonie** l'utilisateur doit faire une demande pour un permis à partir de l'autorité nationale de spectre d'actionner ce dispositif dehors. Veuillez consulter le Nortel WLAN le guide extérieur de 2300 solutions de série pour de plus amples informations concernant des restrictions et les conditions de fonctionnement pour des configurations extérieures.

DFS (sélection dynamique de fréquence)

Ce périphérique implémente une fonction DFS conforme aux restrictions définies par la norme EN 301-893v1.2,3, Section 4,6 et Annexe D, Tableaux D.1, D.2 et D.4 dans le cadre d'une exploitation du périphérique en mode maître (« Master »). Les tableaux 6 et 7 de la section 4 de ce document définissent les exigences préalables à l'utilisation d'un canal et les exigences d'exploitation d'un périphérique Master (c'est-à-dire le seuil de détection des interférences, l'intervalle de contrôle de disponibilité des canaux, la propagation uniforme, le temps de transmission de fermeture de canal et le temps de déplacement de canal). Ce produit remplit les conditions de la catégorie puisque la puissance de transmission réalisable maximale est de 23 dBm conformément aux spécifications du tableau D.2 de l'annexe D de la norme.

L'opération d'IEEE 802.11a dans les bandes de fréquence de 5250 à 5350 mégahertz et de 5470 à 5725 mégahertz est régie par ETSI EN 301-893v1.2.3 et le R&TTE 1999/5/EC directif. Mars efficace 31, 2008, en 301-893 v1.2.3 sera remplacé par EN 301-893v1.3.1. que le point d'accès d'2332-E1 rencontrera la conformité à en 301-893v1.3.1 par opération de neutralisation, par l'intermédiaire de logiciel, dans les bandes de fréquence de 5250 à 5350 mégahertz et de 5470 à 5725 mégahertz parce qu'il ne peut pas répondre aux exigences de DFS conformément à en 301-893v1.3.1.

Contrôle de la puissance de transmission (TPC)

Selon la réglementation européenne, les périphériques sans fil doivent utiliser le contrôle de la puissance de transmission afin de réduire les risques d'interférence avec d'autres systèmes de communication fonctionnant dans les bandes de fréquences de 5 GHz. Ce périphérique intègre une fonction de réglage de la puissance de transmission conforme aux limites définies par les sections 4.3.1 et 4.3.2 de la norme EN 301-893v1.2,3.

Déclaration sur les antennes externes

Les émetteurs intentionnels, tels que le point d'accès WLAN Série 2332, ne sont pas conçus pour fonctionner avec des antennes autres que celles fournies par Nortel. Un émetteur intentionnel ne peut fonctionner qu'avec les antennes prévues à cet effet. Pour consulter la liste des antennes agréées utilisables avec ce produit, rendez-vous à l'adresse <http://www.nortel.com/support>.

Afin de garantir une conformité continue du périphérique, l'utilisation d'une antenne non agréées n'est pas autorisée sans l'autorisation expresse de Nortel. Si vous avez des questions ou des réclamations supplémentaires relatives à des antennes spécifiques, contactez Nortel au 1-800-4NORTEL (1-800-466-7835) et utilisez le code ERC 1572. L'utilisation d'une antenne non agréée par Nortel peut ne pas être conforme à la réglementation locale concernant les limites d'émission rayonnée et induire un fonctionnement illégal du produit. L'installateur du système sans fil et des antennes associées déployées avec l'émetteur intentionnel doit systématiquement s'assurer que celles-ci sont répertoriées dans la liste des antennes agréées par Nortel ou sont agréées spécifiquement par ce constructeur. Lors de la sélection des antennes agréées Nortel, veillez à associer le numéro de modèle approprié à la région de la réglementation en vigueur.

Restrictions D'Antenne Externe De Détail De Pays

La liste suivante de pays ne peut pas utiliser les antennes approuvées par Nortel énumérées dans la table. L'utilisation de ces antennes violerait les règles de normalisation locales et des certifications approuvées pour cet pays ou opération n'est pas permises dans les bandes de fréquence indiquées.

Table 2.

Pays	2.4 Gigahertz	5.0 Gigahertz
Costa Rica		TOUS LES modèles d'antenne
Indonésie		TOUS LES modèles d'antenne
Japon		S51514WPN36RSM
		S4901790PN36RS
		SR49120DAN36RS
		SR24120DN36RSM
Corée	S2406PN36RSM	S51514WPN36RSM
	S2409PN36RSM	S4901790PN36RS
	PC2415NA36RSM	SR49120DAN36RS
	S241290PN36RSM	

Table 2.

Pays	2.4 Gigahertz	5.0 Gigahertz
	SR24120DN36RSM	
Nigéria		TOUS LES modèles d'antenne
Fédération Russe		TOUS LES modèles d'antenne
Thaïlande		TOUS LES modèles d'antenne

Obtenir de l'aide

Cette section explique comment obtenir de l'aide pour les produits et les services Nortel.

Obtenir de l'aide à partir du site Nortel

La meilleure solution pour obtenir un support technique pour les produits Nortel est de consulter le site de support technique :

<http://www.nortel.com/support>.

Ce site fournit un accès rapide aux logiciels, à la documentation, aux communiqués et aux outils vous permettant de résoudre les problèmes relatifs aux produits Nortel. Plus précisément, ce site vous permet :

- de télécharger des logiciels, de la documentation et des communiqués concernant le produit ;
- d'effectuer des recherches sur le site de support technique et dans la base de connaissance Nortel pour obtenir des réponses aux problèmes techniques ;
- de vous enregistrer afin d'être automatiquement informé des nouveautés logicielles et documentaires concernant les équipements Nortel ;
- d'ouvrir et de gérer des cas de support technique ;

Obtenir de l'aide téléphonique auprès d'un Nortel Solutions Center

Si vous ne trouvez pas les informations souhaitées sur le site Web de support technique Nortel et que vous disposez d'un contrat de support Nortel, vous pouvez obtenir de l'aide téléphonique auprès d'un Nortel Solutions Center.

Pour l'Amérique du Nord, appelez le 1-800-4NORTEL (1-800-466-7835).

Pour les autres régions, connectez-vous sur le site Web ci-dessous pour connaître le numéro de téléphone dont vous dépendez :

<http://www.nortel.com/callus>

Obtenir de l'aide d'un spécialiste en utilisant un code de routage express Pour accéder aux centres Nortel Enterprise Technical Solutions (NETS), vous pouvez utiliser un code de routage express (ERC) afin de transmettre rapidement votre appel vers un spécialiste du produit ou du service Nortel.

Pour rechercher le code de routage express relatif à votre produit ou votre service, consultez le site Web suivant :

<http://www.nortel.com/erc>

Obtenir de l'aide auprès d'un distributeur ou d'un revendeur Nortel Si vous disposez d'un contrat de maintenance pour votre produit Nortel auprès d'un distributeur ou d'un revendeur autorisé, contactez l'équipe du support technique de ce distributeur ou de ce revendeur.

Erklärungen zur Einhaltung behördlicher Bestimmungen für WLAN - Familie von 2332 Zugriffspunkte ein

Die WLAN Familie von 2332 Zugriffspunkte ein bestehen aus den folgenden Modellen:

2332-A1, 2332-A2, 2332-A3, 2332-A4, 2332-A5, 2332-A6, 2332-E1, 2332-E2, 2332-E3, 2332-E4, 2332-E5, 2332-E6, 2332-E7, 2332-E8, 2332-E9, 2332-J1.

Hinweise zur Einhaltung von FCC-Richtlinien (Federal Communications Commission)

Dieser Abschnitt enthält die folgenden FCC-Erklärungen zum WLAN-Zugriffspunkt 2332-A1 und die Familie von 2332 Zugriffspunkte ein:

- FCC ID: RVW2332 (Trifft auf zu 2332-A1)
- Erklärung zu Interferenzen für Geräte der Klasse B
- Erklärung zur Hochfrequenz-Strahlenbelastung
- Erklärung zur Nicht-Modifizierung
- Erklärung zum Betriebsort

Erklärung zu Interferenzen für Geräte der Klasse B

Dieses Gerät wurde getestet und entspricht den für digitale Geräte der Klasse B festgelegten Grenzwerten gemäß Abschnitt 15 der FCC-Richtlinien. Diese Grenzwerte bieten einen angemessenen Schutz gegen schädliche Interferenzen bei der Installation in einem Wohngebiet. Dieses Gerät erzeugt und verwendet Funkfrequenzenergie und kann diese abstrahlen, was bei Einrichtung und Verwendung entgegen den Anweisungen als schädliche Störstrahlung den Rundfunkempfang beeinträchtigen kann. Es gibt jedoch keine Garantie, dass bei bestimmten Installationen keine Interferenzen verursacht werden. Falls das Gerät Störungen des Radio- und Fernsehempfangs verursacht (dies kann durch Aus- und Einschalten des Geräts festgestellt werden), wird empfohlen, die Störungen durch folgende Maßnahmen zu beheben:

- Richten Sie die Empfangsantenne neu aus, oder installieren Sie diese an einem anderen Ort.
- Vergrößern Sie den Abstand zwischen dem Gerät und dem Empfänger.
- Schließen Sie das Gerät an eine Steckdose an, die über einen anderen Stromkreis verfügt, als die Steckdose, an die der Empfänger angeschlossen ist.
- Wenden Sie sich für Hilfe an Ihren Händler oder an einen qualifizierten Radio-/Fernsehtechniker.

FCC-Warnung:

Dieses Gerät ist mit Abschnitt 15 der FCC-Richtlinien konform. Die Benutzung unterliegt den folgenden zwei Bedingungen: (1) Das Gerät darf keine schädliche Störstrahlung erzeugen. (2) Das Gerät muss jegliche Störstrahlung tolerieren, einschließlich solcher Störstrahlung, die den Betrieb des Geräts beeinträchtigt.

Erklärung zur Hochfrequenz-Strahlenbelastung

Zur Gewährleistung der Einhaltung der FCC-Anforderungen hinsichtlich der Hochfrequenz-Strahlenbelastung muss dieses Gerät so installiert werden, dass der Abstand der Antenne des Geräts zu allen Personen größer als 20 cm ist. Die Verwendung von Hochleistungsantennen und Antennentypen, die von der FCC-Zertifizierung für dieses Produkt nicht abgedeckt sind, ist nicht gestattet. Die in dieser Bedienungsanleitung enthaltenen Installationsanweisungen müssen beachtet werden.

Dieser Funkfrequenzsender darf nicht zusammen mit einer anderen Antenne oder einem anderen Funkfrequenzsender platziert oder betrieben werden.

Erklärung zur Nicht-Modifizierung

Verwenden Sie nur die im Lieferumfang enthaltene interne Antenne oder vom Hersteller angebotene externe Antennen. Nicht zugelassene Antennen, Modifikationen oder Änderungen können den WLAN-Zugriffspunkt 2332-A1 und die Familie von 2332 Zugriffspunkte ein beschädigen und FCC-Bestimmungen verletzen. Änderungen oder Modifikationen des Geräts, die nicht ausdrücklich von der für die Einhaltung der Bestimmungen verantwortlichen Partei genehmigt wurden, können einen Widerruf des Nutzungsrechtes zur Folge haben. Nortel stellt auf Anfrage eine Liste der genehmigten externen 2,4-GHz- und 5,0-GHz-Antennen zur Verfügung.

Zur Gewährleistung der Einhaltung der Bestimmungen zur Strahlenbelastung für Geräte der Klasse B müssen alle aktivierten Ethernet-Anschlüsse des AP2332 Familie mit CAT-5-Ethernet-Kabeln betrieben werden. Die Nichteinhaltung dieser Installationsanforderung kann dazu führen, dass die Strahlenemission des Geräts die zulässigen Grenzwerte übersteigt.

Erklärung zum Betriebsort

Dieses Produkt darf nur in geschlossenen Räumen verwendet werden. Installieren oder verwenden Sie das Produkt nicht im Freien.

Dynamische Frequenz-Vorwähler (DFS) in den 5.0 Gigahertz UNII Bändern

Der 2332-A1 Zugangspunkt ist, über Software, vom Funktionieren in den 5250 bis 5350 MHz und 5470 bis 5725 MHz Frequenzbändern für die US und das Kanada, weil er nicht den DFS Anforderungen wie in den Richtlinien des FCC skizziert entsprechen kann für Teil 15, Subpart E, das an Juli 20 in Kraft treten, 2007 verboten worden.

IC-Erklärung (Industry Canada) zur Verwendung des Produkts in Kanada

IC: 332R-2332 (Trifft auf zu 2332-A1).

Die Verwendung in Kanada unterliegt den folgenden beiden Bedingungen:

1. Das Gerät darf keine schädlichen Interferenzen erzeugen.
2. Das Gerät muss jegliche Interferenzen tolerieren, einschließlich solcher, die den Betrieb des Geräts beeinträchtigen.

Zur Vermeidung von Interferenzen in Bezug auf den lizenzierten Dienst (d. h. Zweikanalsysteme für mobilen Satellitenempfang) ist dieses Gerät zur Verwendung in geschlossenen Räumen und in Abstand zu Fenstern gedacht, um eine maximale Abschirmung zu gewährleisten. Geräte (oder die zugehörige Sendeantenne), die im Freien installiert werden, müssen lizenziert werden und werden nicht vom WLAN-Zugriffspunkt 2332-A1 unterstützt. Da Hochleistungsradare Primärbenutzer des Frequenzbereichs zwischen 5250 und 5350 MHz sind (d. h. sie haben Vorrang), können diese Radare Interferenzen und/oder Schäden an nicht lizenzpflichtigen WLAN-Geräten verursachen.

Einhaltung der Bestimmungen der Europäischen Union und der Europäischen Freihandelszone

Dieses Gerät ist für den Betrieb in Mitgliedsländern der Europäischen Union und der Europäischen Freihandelszone zugelassen. Diese im Folgenden aufgeführten Länder werden in diesem Dokument als „Europäische Gemeinschaft“ bezeichnet.

ÖSTERREICH, BELGIEN, BULGARIEN, ZYPERN, TSCHECHIEN, DÄNEMARK, ESTLAND, FINNLAND, FRANKREICH, DEUTSCHLAND, GRIECHENLAND, UNGARN, IRLAND, ITALIEN, LETTLAND, LITAUEN, LUXEMBURG, MALTA, DIE NIEDERLANDE, POLEN, PORTUGAL, RUMANIEN, SLOWAKEI, SLOWENIEN, SPANIEN, SCHWEDEN, VEREINIGTES KÖNIGREICH, ISLAND, LIECHTENSTEIN, NORWEGEN, SCHWEIZ

Der WLAN-Zugriffspunkt 2332-E1 und die Familie von 2332 Zugriffspunkte ein kommunizieren zur Bereitstellung der WLAN-Funktionalität über ein standardmäßiges verdrehtes CAT-5 10/100-Mbit/s-Ethernetkabel der Kategorie 5 oder höher mit einem WLAN-Sicherheitsswitch von Nortel Networks. Der WLAN-Zugriffspunkt 2332-E1 und die Familie von 2332 Zugriffspunkte ein enthalten eine 802.11a- und eine 802.11b/g-Funkantenne sowie zwei 802.11a- und zwei omnidirektionale, interne 802.11b/g-Antennen. Der 2332-E1 und die Familie von 2332 Zugriffspunkte ein kann vom Hersteller erhältliche externe, omnidirektionale und/oder direktionale Hochleistungsantennen nutzen, und zwar eine nach 802.11b/g-Standard und eine nach 802.11a-Standard, wie im Abschnitt über externe Antennen der Installationsanleitung für den WLAN-Zugriffspunkt Familie 2332 beschrieben. Zur Verwendung der externen Antennen schließen Sie diese an den Pluspol der R-SMA-Anschlüsse an der Seite des WLAN-Zugriffspunkt 2332-E1 oder die Familie von 2332 Zugriffspunkte ein an.

Konformitätserklärung

Das Symbol 

steht für die Einhaltung der grundlegenden Bestimmungen der R&TTE-Direktive der Europäischen Union (1999/5/EC). Dieses Gerät erfüllt folgende Konformitätsstandards:

Sicherheit: EN 60950-1:2001 + A11:2004

EMV: EN 55022:2006, EN 55024:1998 + A1:2001 + A2:2003, EN 301-489-1 v1.7.1, EN 301-489-17 v1.3.2, CISPR22:1997, CISPR24

Einschließlich: EN 61000-3-2, -3-3, -4-2, -4-3, -4-4, -4-5, -4-6 und -4-11. Das Produkt ist zudem wie erforderlich für zusätzliche länderspezifische Standards für den internationalen Markt zugelassen.

Funk: EN 300-328 v.1.7.1 (2006-10) & EN 301-893 v.1.3.1 (2005-03)

ANMERKUNG: Die 2332-E1 und die in Verbindung stehenden Reihen 2332 Zugangspunkte treffen alle technischen Spezifikationen von en 301-893 v1.3.1 für Betrieb in den 5.0 Gigahertz Bändern, ausgenommen die DFS Anforderungen. Die 2332-E1 und die verbundenen Reihen 2332 Zugangspunkte wurden zu geprüft und sind mit den DFS Anforderungen von en 301-893 v1.2.3 gefällig.

Elektromagnetische Kompatibilität und Funkfrequenzinhalte (ERM); Breitbandübertragungssysteme; Datenübertragungsgerät zum Betrieb im 2,4-GHz-ISM-Frequenzbereich und zur Verwendung von Breitbandmodulationsverfahren und BRAN (Broadband Radio Access Networks); 5-GHz-Hochleistungs-RLAN Zertifizierungen stimmen mit den EN-Standards überein und entsprechen den grundlegenden Bestimmungen in Artikel 3.2 der R&TTE-Direktive. Die Einhaltung der Bestimmungen beinhaltet die Überprüfung der Antennen, wie in der beigefügten Tabelle spezifiziert.

SAR: EN 50385:2002

Konformitätserklärung der EG

WLAN Radiomodell 2332, wie in der folgenden Übereinstimmungserklärung der EWG dargestellt, stellt alle Modelle in der Familie 2332 dar.

Table 3.

Bulgarie	<p>български</p> <p>С това, Nortel обявява, че този модел на радио на WLAN Радио Модел 2332, е със съгласие с съществените изисквания и други важни условия на директива 1999/5</p>
Dänemark	<p>Dansk</p> <p>Undertegnede Nortel erklærer herved, at følgende udstyr WLAN Radio Model 2332, overholder de væsentlige krav og øvrige relevante krav i direktiv 1999/5/EF.</p>
Deutschland	<p>Deutsch</p> <p>Hiermit erklärt Nortel., dass sich das Gerät WLAN Radiomodell 2332, in Übereinstimmung mit den grundlegenden Anforderungen und den übrigen einschlägigen Bestimmungen der Richtlinie 1999/5/EG befindet.</p>
Englisch	<p>English</p> <p>Hereby, Nortel declares that this WLAN Radio Model 2332, is in compliance with the essential requirements and other relevant provisions of Directive 1999/5/EC.</p>
Estland	<p>Eesti</p> <p>Käesolevaga kinnitab Nortelseadme WLAN Radio Model 2332, vastavust direktiivi 1999/5/EÜ põhinõuetele ja nimetatud direktiivist tulenevatele teistele asjakohastele sätetele.</p>
Finnland	<p>Suomi</p> <p>Nortel vakuuttaa täten että WLAN Radio Esikuvallinen 2332, tyyppinen laite on direktiivin 1999/5/EY oleellisten vaatimusten ja sitä koskevien direktiivin muiden ehtojen mukainen.</p>
Frankreich	<p>Français</p> <p>Par la présente Nortel déclare que l'appareil Model Par radio 2332 de WLAN, est conforme aux exigences essentielles et aux autres dispositions pertinentes de la directive 1999/5/CE.</p>
Griechenland	<p>ΕΛΛΗΝΙΚΗ</p> <p>ÌÀ ÒÇÍ ÐÁÑÏÕÓÁ Nortel. ÇĒ.ÍÁĒ ÏÕĒ WLAN ΡΑΔΙΟ πΡόΤΥΠΟ 2332, ÕÕÏÏÏÑÕ.ÍÁÕÁĒ ÐÑÏÕ ÕĒÕ ÏÕÕĒ..ĀĒÕ ĀÐĀĒÕÇÓĀĒÕ ĒĀĒ ÕĒÕ ĒÏĒÐĀÕ Ó×ĀÕĒĒĀÕ .ĒĀÕĀÍĀĒÕ ÕÇÕ Ï.ÇĀĒĒĀÕ 1999/5/ĀĒ.</p>

Table 3.

Italien	Italiano Con la presente Nortel dichiara che questo Modello Radiofonico 2332 di WLAN, è conforme ai requisiti essenziali ed alle altre disposizioni pertinenti stabilite dalla direttiva 1999/5/CE.
Lettisch	Latviski Ar šo Norteldeklarāc, ka WLAN Radio Model 2332, atbilst Direktīvas 1999/5/EK būtiskajām prasībām un citiem ar to saistītajiem noteikumiem.
Litauen	Lietuvių Šiuo Norteldeklaruoja, kad šis WLAN Radio Model 2332, atitinka esminius reikalavimus ir kitas 1999/5/EB Direktyvos nuostatas.
Malta	Malti Hawnhekk, Nortel., jiddikjara li dan WLAN Radio Model 2332, jikkonforma mal-tiijiet essenzjali u ma provvedimenti orajn relevanti li hemm fid-Direttiva 1999/5/EC.
Niederlande	Netherlands Hierbij verklaart Nortel dat het toestel WLAN Radiomodel 2332, in overeenstemming is met de essentiële eisen en de andere relevante bepalingen van richtlijn 1999/5/EG.
Polen	Polski Niniejszym Nortel oświadczam, że WLAN Radio Model 2332, jest zgodny z zasadniczymi wymogami oraz pozostałymi stosownymi postanowieniami Dyrektywy 1999/5/EC.
Portugal	Português Nortel declara que este Modelo De rádio 2332 de WLAN, está conforme com os requisitos essenciais e outras disposições da Directiva 1999/5/CE.
Roumanie	Român Astfel, Nortel declară acel acest WLAN Radio Model 2332, este în conformitate cu cerințele necesare și proviziile alte semnificative de Directive 1999 5 EC.
Schweden	Svenska Härmed intygar Nortel att denna WLAN Radiotelegrafera till Modell 2332, står i överensstämmelse med de väsentliga egenskapskrav och övriga relevanta bestämmelser som framgår av direktiv 1999/5/EG.
Slowakei	Slovensky Nortel týmto vyhlasuje, že WLAN Radio Model 2332 spáda základné požiadavky a všetky príslušné ustanovenia Smernice 1999/5/ES.

Table 3.

Slowenien	Slovensko Nortelizjavlja, da je ta WLAN Radio Model 2332, v skladu z bistvenimi zahtevami in ostalimi relevantnimi določili directive 1999/5/ES.
Spanien	Español Por medio de la presente Nortel Networks declara que el Modelo De radio 2332 de WLAN cumple con los requisitos esenciales y cualesquiera otras disposiciones aplicables o exigibles de la Directiva 1999/5/CE
Tschechien	Ěesky Norteltímto prohlašuje, že tento WLAN Rádio Model 2332, je ve shodì se základními požadavky a dalšími pøíslušnými ustanoveními smìrnice 1999/5/ES.
Ungarn	Magyar Alulírott, Nortelnyilatkozom, hogy a WLAN Rádio Minta 2332, megfelel a vonatkozó alapvető követelményeknek és az 1999/5/EC irányelv egyéb előírásainak.

Länder mit zugelassenem Betrieb und Nutzungsbeschränkungen in der Europäischen Gemeinschaft

Betrieb über die Kanäle zwischen 2,400 und 2,4835 GHz in der Europäischen Gemeinschaft

Zur Überprüfung der aktuellen Betriebskanäle, der erwarteten Übertragungskapazitätsebene und der Übereinstimmung des Geräts mit den Nutzungsbedingungen für EG-Länder ist der Benutzer angehalten, das Konfigurations-Dienstprogramm zu verwenden. Wenn der Betrieb außerhalb des in diesem Leitfaden genannten erlaubten Frequenzbereichs stattfindet, so muss der Betrieb des Geräts umgehend eingestellt werden. Wenden Sie sich in einem solchen Fall an Ihren technischen Support für Drahtlosnetzwerke.

Dieses Gerät wurde für die Verwendung in allen EG-Ländern entwickelt. Zusätzliche Beschränkungen zur Nutzung des 2332-E1 und die Familie von 2332 Zugriffspunkte ein innerhalb der Europäischen Gemeinschaft für den Frequenzbereich zwischen 2,400 und 2,4835 GHz sind im Folgenden aufgeführt.

- Die Frequenzbereiche zwischen 2,400 und 2,4835 GHz, die sich auf die Kanäle 1 bis 13 beziehen, sind für die Nutzung sowohl in geschlossenen Räumen als auch im Freien in allen Ländern der Europäischen Gemeinschaft zugelassen. Für die folgenden Länder gelten Sonderbestimmungen:
- In **Griechenland**, in **Italien**, in **Lettland** und in **Spanien**, die der Endbenutzer eine Lizenz von der nationalen Spektrumberechtigung beantragen muß, diese Vorrichtung draußen laufen zu lassen. Beraten Sie bitte das Nortel WLAN 2300 Baureihe Reihe der im Freienlösungen Führer für weitere Informationen betreffend Beschränkungen und Betriebsbedingungen für im Freienkonfigurationen.
- In Frankreich ist folgender Betrieb gestattet:
 - Der Außenbetrieb ist nur für die Verwendung des Frequenzbereichs zwischen 2,400 und 2,454 GHz, der die Kanäle 1 bis 7 umfasst, bei einer maximalen EIRP-Sendeleistung von 100 mW (20 dBm) gestattet.

- Der Außenbetrieb im Frequenzbereich zwischen 2,400 und 2,4835 auf den Kanälen 1 bis 13 ist für eine maximale EIRP-Sendeleistung von 10 mW (10 dBm) gestattet.
- Der Innenbetrieb im Frequenzbereich zwischen 2,400 und 2,4835 GHz auf den Kanälen 1 bis 13 ist für eine maximale EIRP-Sendeleistung von 100 mW (20 dBm) gestattet.

Für die Erfüllung dieser Richtlinien wird eine Gewährleistung übernommen, da die Betriebssoftware des 2332-E1 und die Familie von 2332 Zugriffspunkte ein sowohl bei der Nutzung interner als auch externer Antennen die Übertragungskapazitätsebene abhängig von der Leistung der gewählten Antenne automatisch anpasst.

Betrieb über die Kanäle 5,15 bis 5,25 GHz, 5,25 bis 5,35 GHz und 5,470 bis 5,725 GHz in der Europäischen Gemeinschaft

Zur Einhaltung nationaler europäischer Gesetze zur Frequenznutzung gelten die in diesem Dokument beschriebenen Begrenzungen für 5 GHz-Kanäle. Zur Überprüfung der aktuellen Betriebskanäle, der erwarteten Übertragungskapazitätsebene und der Übereinstimmung des WLAN-Zugriffspunkt 2332-E1 oder die Familie von 2332 Zugriffspunkte ein mit den Nutzungsbedingungen für EG-Länder ist der Benutzer angehalten, das Konfigurations-Dienstprogramm zu verwenden. Wenn der Betrieb außerhalb des in diesem Leitfaden genannten erlaubten Frequenzbereichs oder der Kapazitätsebene stattfindet, so muss der Betrieb des Geräts umgehend eingestellt werden. Wenden Sie sich in einem solchen Fall an Ihren technischen Support für Drahtlosnetzwerke.

Dieses Gerät wurde für die Verwendung in allen EG-Ländern entwickelt. Zusätzliche Beschränkungen für die Nutzung des Zugriffspunkts 2332-E1 und die Familie von 2332 Zugriffspunkte ein innerhalb der Europäischen Gemeinschaft in den Frequenzbereichen 5,15 bis 5,25 GHz, 5,25 bis 5,35 GHz und 5,470 bis 5,725 GHz sind im Folgenden aufgeführt.

- Der Betrieb dieses Geräts ist für die Frequenzbereiche 5,15 bis 5,25 GHz und 5,25 bis 5,35 GHz, die die Kanäle 6, 40, 44, 48, 52, 56, 60 und 64 umfassen, innerhalb der Europäischen Gemeinschaft auf die Nutzung **in geschlossenen Räumen** beschränkt.
- Die Verwendung der **5 GHz Turbomodus-Funktion** ist in keinem EG-Land gestattet.
- Ist der Betrieb auf den Frequenzbereich 5,15 bis 5,25 GHz beschränkt. Der Betrieb in den Frequenzbereichen 5,25 bis 5,35 GHz oder 5,470 bis 5,725 GHz ist nicht gestattet, da das Gerät die DFS-Anforderungen gemäß EN 301-893 Version 1.3.1 nicht erfüllt.
- In **Italien** und in **Lettland** muß der Endbenutzer eine Lizenz von der nationalen Spektrumberechtigung beantragen, diese Vorrichtung draußen laufen zu lassen. Beraten Sie bitte das Nortel WLAN 2300 Reihe der im Freilösungen Führer für weitere Informationen betreffend Beschränkungen und Betriebsbedingungen für im Freikonfigurationen.

Dynamische Frequenzkanalwahl (DFS)

Dieses Gerät verfügt über eine DFS- Funktion in Übereinstimmung mit den in EN 301-893 Version 1.2.3 Abschnitt 4.6 und Anhang D, Tabellen D.1, D.2 und D.4 festgelegten Bestimmungen für Geräte die im „Master-Modus“ betrieben werden. Abschnitt 4.6, Tabellen 6 und 7 dieses Dokuments definiert die Anforderungen für die Nutzung eines Kanals und den normalen Betrieb eines Master-Geräts (d. h.

Erkennungsschwelle für Interferenzen, Überprüfungsdauer der Kanalverfügbarkeit, einheitliche Streuung, Übertragungszeit beim Schließen des Kanals und Kanalwechselzeit). Dieses Produkt ist insofern für diese Kategorie qualifiziert, als die maximale Übertragungskapazität gemäß der Bestimmungen in Tabelle D.2 in Anhang D des Standards mehr als 23 dBm beträgt.

IEEE 802.11a Betrieb in den 5250 bis 5350 MHz und 5470 bis 5725 MHz Frequenzbändern wird von ETSI EN 301-893v1.2.3 und das R&TTE richtungweisendes 1999/5/EC geregelt. Wirkungsvoller März 31, 2008, en 301-893 v1.2.3 wird von EN 301-893v1.3.1., das der 2332-E1 Zugangspunkt Befolgung en 301-893v1.3.1 durch sperrenbetrieb trifft, über Software, in den 5250 bis 5350 MHz und 5470 bis 5725 MHz Frequenzbändern ersetzt, weil er nicht den DFS Anforderungen wie in en 301-893v1.3.1 skizziert entsprechen kann.

Transmit Power Control (TPC)

Gemäß europäischer Bestimmungen müssen drahtlose Geräte über Transmit Power Control (TPC) verfügen, um das Interferenzpotenzial mit anderen im Frequenzbereich von 5 GHz betriebenen Kommunikationssystemen zu verringern. Dieses Gerät bietet dem Endbenutzer die Möglichkeit, eine Anpassung an Transmit Power in Übereinstimmung mit den in EN 301-893 Version 1.2.3, Abschnitte 4.3.1 und 4.3.2 festgelegten Bestimmungen vorzunehmen.

Erklärung zu externen Antennen

Geräte, die einen Funksender beinhalten, wie z. B. der Nortel WLAN-Familie 2332 Zugriffspunkt, sind nur für den Betrieb mit Antennen von Nortel bestimmt. Geräte, die einen Funksender beinhalten, dürfen nur mit der Antenne betrieben werden, für die das Gerät zugelassen ist. Eine vollständige Liste aller für dieses Produkt zugelassenen Antennen finden Sie unter <http://www.nortel.com/support>.

Um die Einhaltung aller behördlichen Bestimmungen zu gewährleisten, ist die Nutzung einer nicht von Nortel zugelassenen Antenne nur mit einer Sondergenehmigung von Nortel gestattet. Sollten Sie weitere Fragen in Bezug auf bestimmte Antennen haben, wenden Sie sich unter der Nummer 1-800-4NORTEL (1-800-466-7835) an Nortel. Geben Sie den Routing-Code 1572 ein.

Die Verwendung einer nicht extra von Nortel zugelassenen Antenne erfüllt ggf. nicht die lokalen, behördlichen Richtlinien in Bezug auf Strahlenemission. Der derartige Betrieb des Produkts könnte gesetzwidrig sein. Für Geräte, die einen Funksender beinhalten, dürfen nur die Antennen verwendet werden, die auf der Liste der zugelassenen Antennen von Nortel aufgeführt sind, oder für die Nortel eine Sondergenehmigung (in Einzelfällen möglich) erteilt hat. Stellen Sie bei der Auswahl der von Nortel zugelassenen Antennen sicher, dass Sie die entsprechende Typennummer und das richtige Gebiet in Bezug auf behördliche Bestimmungen verwenden.

Land-Besondere-Außenantenne-Beschränkungen

Die folgende Liste der Länder kann nicht die Nortel genehmigten Antennen benutzen, die in der Tabelle verzeichnet werden. Gebrauch dieser Antennen würde die lokalen regelnden Richtlinien verletzen und anerkannte Bescheinigungen für dieses Land oder Betrieb wird nicht in den spezifizierten Frequenzbändern erlaubt.

Table 4.

Pays	2.4 Gigahertz	5.0 Gigahertz
Costa Rica		ALLE Antenne Modelle
Indonesien		ALLE Antenne Modelle
Japan		S51514WPN36RSM
		S4901790PN36RS
		SR49120DAN36RS
	SR24120DN36RSM	
Korea	S2406PN36RSM	S51514WPN36RSM
	S2409PN36RSM	S4901790PN36RS
	PC2415NA36RSM	SR49120DAN36RS
	S241290PN36RSM	
	SR24120DN36RSM	
Nigeria		ALLE Antenne Modelle
Russische Vereinigung		ALLE Antenne Modelle
Thailand		ALLE Antenne Modelle

Wo erhalte ich Support?

In diesem Abschnitt wird beschrieben, wo Sie Support zu Produkten und Dienstleistungen von Nortel erhalten. Support über die Website von Nortel Technischen Support für Produkte von Nortel erhalten Sie am besten über die Website für den technischen

Support von Nortel:

<http://www.nortel.com/support>

Hier erhalten Sie schnellen Zugriff auf Software, Dokumentation, Bulletins und Tools, mit denen sich Probleme mit Produkten von Nortel lösen lassen. Insbesondere bietet die Website folgende Möglichkeiten:

- Download von Software, Dokumentation und Produkt-Bulletins
- Durchsuchen der Website für technischen Support und der Knowledge Base von Nortel nach Antworten auf technische Fragen
- Anmeldung für die automatische Benachrichtigung bei neuer Software und Dokumentation für Geräte von Nortel
- Eröffnung und Management von technischen Supportfällen

Telefonischer Support über ein Nortel Solutions Center

Wenn Sie die benötigten Informationen auf der Website für den technischen Support nicht finden, aber einen Supportvertrag mit Nortel abgeschlossen haben, können Sie auch telefonische Hilfe über ein Nortel Solutions Center erhalten.

Für Nordamerika lautet die Nummer 1-800-4NORTEL (1-800-466-7835).

Die Rufnummern für die Regionen außerhalb Nordamerikas finden Sie auf folgender Website:

<http://www.nortel.com/callus>

Support von Fachleuten über einen Express Routing Code Für den schnellen Zugang zu Nortel Enterprise Technical Support (NETS) Centers kann Ihr Anruf mithilfe eines Express Routing Code (ERC) schnell zu einem Fachmann für Ihr Produkt oder Ihre Dienstleistung von Nortel durchgestellt werden. Den ERC für Ihr Produkt oder Ihre Dienstleistung finden Sie unter:

<http://www.nortel.com/erc>

Support von einem Händler von Nortel Wenn Sie für Ihr Produkt einen Supportvertrag über einen von Nortel autorisierten Händler abgeschlossen haben, setzen Sie sich mit dem technischen Personal dieses Händlers in Verbindung.

Dichiarazioni di adempimento normativo per la serie di WLAN 2332 Access Points

La serie di WLAN 2332 punti di accesso consiste di seguenti modelli:

2332-A1, 2332-A2, 2332-A3, 2332-A4, 2332-A5, 2332-A6, 2332-E1, 2332-E2, 2332-E3, 2332-E4, 2332-E5, 2332-E6, 2332-E7, 2332-E8, 2332-E9, 2332-J1.

Dichiarazione di conformità FCC (Federal Communications Commission)

Questa sezione comprende le seguenti dichiarazioni FCC per WLAN Access Point 2332-A1 e serie relativa 2332 Access Points:

- FCC ID: RVW2332 (Si applica a 2332-A1)
- Dichiarazione di interferenza, Classe B
- Avviso di rischio ed esposizione alle radiazioni RF
- Dichiarazione di non modifica
- Dichiarazione di distribuzione

Dichiarazione di interferenza, Classe B

Questo apparecchio è stato testato ed è risultato conforme ai limiti previsti per i dispositivi digitali di Classe B, in conformità alla Parte 15 delle norme FCC. Questi limiti hanno lo scopo di garantire una protezione adeguata dalle interferenze dannose quando il dispositivo è utilizzato in un ambiente residenziale. Questo dispositivo genera, utilizza e può emettere energia in radiofrequenza; se non viene installato e utilizzato secondo le istruzioni può causare interferenze alle comunicazioni radio. Non è comunque garantita l'assenza di interferenze in alcune installazioni. Qualora il dispositivo dovesse provocare interferenze nella ricezione radiotelevisiva, cosa che si può verificare spegnendo e riaccendendo l'apparecchio, si consiglia di eliminare l'interferenza in uno dei seguenti modi:

- Riorientare l'antenna ricevente o cambiarne la posizione.
- Aumentare la distanza tra il dispositivo e il ricevitore.
- Collegare l'apparecchio a una presa elettrica su un circuito differente da quello a cui è collegato il ricevitore.
- Chiedere assistenza al rivenditore o a un tecnico esperto in impianti radiotelevisivi.

Avviso FCC

Il presente dispositivo è conforme alla Parte 15 delle norme FCC. Il funzionamento è soggetto alle seguenti due condizioni: 1) questo dispositivo non deve provocare interferenze dannose e 2) deve essere in grado di accettare la ricezione di eventuali interferenze, comprese quelle che possono provocare un funzionamento non corretto.

Dichiarazione di rischio ed esposizione alle radiazioni RF

Per garantire la conformità ai requisiti per l'esposizione alle radiazioni FCC RF, questo dispositivo deve essere installato in modo tale che l'antenna del dispositivo si trovi ad una distanza minima di 20 centimetri dal corpo umano. Non è consentito l'utilizzo di antenne a guadagno maggiore e tipi di antenne non coperte dalla certificazione FCC del prodotto. Gli installatori radio e gli utenti finali del prodotto devono seguire le istruzioni di installazione fornite nel presente manuale.

Il trasmettitore non deve trovarsi o funzionare insieme a un'altra antenna o a un altro trasmettitore.

Dichiarazione di non modifica

Utilizzare solo l'antenna interna di dotazione o antenne esterne fornite dalla casa produttrice. Antenne non autorizzate, modifiche o accessori potrebbero danneggiare WLAN Access Point 2332-A1 e serie relativa 2332 Access Points e violare le normative FCC. Qualsiasi riparazione o modifica non espressamente approvata dalla parte responsabile della conformità può causare l'annullamento dell'autorizzazione dell'utente all'utilizzo di questo dispositivo. Rivolgersi a Nortel per l'elenco delle antenne esterne da 2,4 GHz e 5,0 GHz approvate.

Per garantire la conformità con gli standard delle emissioni della Classe B, il dispositivo deve funzionare con un cavo Ethernet CAT-5 installato su ogni porta Serie 2332 attivata. L'inosservanza di questo requisito può far funzionare il dispositivo con emissioni che superano i limiti consentiti.

Dichiarazione di distribuzione

Questo prodotto è certificato esclusivamente per la distribuzione in interni. Non installare o utilizzare il prodotto all'esterno.

Selezione dinamica di frequenza (DFS) nelle fasce dei 5.0 gigahertz UNII

Il punto di accesso 2332-A1 è stato proibito, via software, dal funzionamento nelle fasce di frequenza megahertz 5725 - di 5470 e di 5250 - 5350 megahertz per gli Stati Uniti ed il Canada perché non può fare fronte alle richieste di DFS conformi alle regole del FCC della parte 15, Subpart E che entrano in vigore il 20 luglio 2007.

Dichiarazione IC

IC: 332R-2332 (Si applica a 2332-A1).

Il funzionamento è soggetto alle seguenti due condizioni:

1. questo dispositivo potrebbe non causare interferenze e
2. deve accettare eventuali interferenze, incluse quelle che possono causare un funzionamento indesiderato.

Per impedire le interferenze radio con il servizio in licenza (ad esempio, sistemi di servizio mobile via satellite co-canale), questo dispositivo è stato progettato per operare in interni e lontano da finestre in modo da fornire la massima schermatura. L'apparecchiatura (o la sua antenna trasmittente) che viene installata in esterni è soggetta a licenza e non è supportata da WLAN Access Point 2332-A1.

Poiché i radar ad alta potenza sono allocati come utenti primari, ossia hanno la priorità nella banda 5250-5350 MHz, possono provocare interferenze e/o danneggiare i dispositivi WLAN esenti da licenza.

Conformità alla normativa della Comunità europea e EFTA (European Fair Trade Association)

Questa apparecchiatura può essere utilizzata nei paesi membri dell'Unione Europea e dell'EFTA (European Free Trade Association). In questo documento si farà riferimento ai paesi qui elencati come la Comunità europea. AUSTRIA, BELGIO, BULGARIA, CIPRO, REPUBBLICA CECA, DANIMARCA, ESTONIA, FINLANDIA, FRANCIA, GERMANIA, GRECIA, UNGHERIA, IRLANDA, ITALIA, LETTONIA, LITUANIA, LUSSEMBURGO, MALTA, PAESI BASSI, POLONIA, PORTOGALLO, ROMANIA, SLOVACCHIA, SLOVENIA, SPAGNA, SVEZIA, REGNO UNITO, ISLANDA, LICHTENSTEIN, NORVEGIA, SVIZZERA

WLAN Access Point 2332-E1 e serie relativa 2332 access points comunicati con un Nortel Networks WLAN - Security Switch mediante uno standard CAT-5 (Categoria 5) o cavo Ethernet a doppi incrociati 10/100 Mbps o superiore per fornire capacità di WLAN (Wireless Local Area Networking). WLAN Access Point 2332-E1 e serie relativa 2332 access points include una radio 802.11a e una 802.11b/g e due antenne omnidirezionali interne 802.11a e due 802.11b/g.

L'Access Point 2332-E1 e serie relativa 2332 access points può anche utilizzare antenne omnidirezionali esterne e/o direzionali ad alto guadagno opzionali fornite dal produttore, una per la radio 802.11b/g e una per la radio 802.11a, come descritto nella sezione relativa alle antenne esterne del manuale di installazione di WLAN Access Point Serie 2332. Quando si utilizzano antenne esterne, collegarle ai connettori R-SMA a polarità inversa situati sulla parte laterale del WLAN Access Point 2332-E1 o serie relativa 2332 access points.

Dichiarazione di conformità

Questo simbolo



indica la conformità con i requisiti essenziali della Direttiva della Comunità europea R&TTE (1999/5/EC). Questo dispositivo soddisfa i seguenti standard di conformità:

Sicurezza: EN 60950-1:2001 + A11:2004

EMC: EN 55022:2006, EN 55024:1998 + A1:2001 + A2:2003, EN 301-489-1 v1.7.1, EN 301-489-17 v1.3.2, CISPR22:1997, CISPR24

Inclusi: EN 61000-3-2, -3-3, -4-2, -4-3, -4-4, -4-5, -4-6 e -4-11. Il prodotto dispone anche della licenza, secondo quanto richiesto negli standard aggiuntivi dei paesi specifici come necessario per il mercato internazionale.

Radio: EN 300-328 v.1.7.1 (2006-10) & EN 301-893 v.1.3.1 (2005-03)

NOTA: I 2332-E1 e la serie relativa 2332 punti di accesso vengono a contatto di tutte le caratteristiche tecniche di en 301-893 v1.3.1 per il funzionamento nelle fasce dei 5.0 gigahertz, tranne i requisiti di DFS. I 2332-E1 e la serie collegata 2332 punti di accesso sono stati esaminati a e sono compliant con i requisiti di DFS di en 301-893 v1.2.3.

La compatibilità elettromagnetica e ERM (Radio spectrum Matters); i sistemi di trasmissione a banda larga; le apparecchiature di trasmissione dati che operano nella banda ISM 2,4 GHz ISM e che utilizzano le tecniche di modulazione della banda larga e BRAN (Broadband Radio Access Networks); 5 GHz RLAN ad alte prestazioni. Le certificazioni sono armonizzate agli standard EN che coprono i requisiti essenziali all'articolo 3.2 della Direttiva R&TTE. La conformità include i test con antenne, come indicato nella tabella sottostante.

SAR: EN 50385:2002

Dichiarazione di conformità per la Comunità europea

Il modello radiofonico 2332 di WLAN, come dichiarati nella seguente dichiarazione di conformità per la Comunità Europea, rappresenta tutti i modelli in serie 2332 come elencato sopra.

Table 5.

Bulgaria	<p>български</p> <p>С това, Nortel обявява, че този модел на радио на WLAN Радио Модел 2332, е със съгласие с съществените изисквания и други важни условия на директива 1999/5 на европейски съюз</p>
Danimarca	<p>Dansk</p> <p>Undertegnede Nortel erklærer herved, at følgende udstyr WLAN Radio Model 2332 Series, overholder de væsentlige krav og øvrige relevante krav i direktiv 1999/5/EF.</p>
Estonia	<p>Eesti</p> <p>Käesolevaga kinnitab Nortelseadme WLAN Radio Model 2332 Series, vastavust direktiivi 1999/5/EÜ põhinõuetele ja nimetatud direktiivist tulenevatele teistele asjakohastele sätetele.</p>
Finlandia	<p>Suomi</p> <p>Nortel vakuuttaa täten että WLAN Radio Esikuvallinen 2332, tyyppinen laite on direktiivin 1999/5/EY oleellisten vaatimusten ja sitä koskevien direktiivin muiden ehtojen mukainen.</p>
Francia	<p>Français</p> <p>Par la présente Nortel déclare que l'appareil Model Par radio 2332 de WLAN, est conforme aux exigences essentielles et aux autres dispositions pertinentes de la directive 1999/5/CE.</p>
Germania	<p>Deutsch</p> <p>Hiermit erklärt Nortel., dass sich das Gerät WLAN Radiomodell 2332, in Übereinstimmung mit den grundlegenden Anforderungen und den übrigen einschlägigen Bestimmungen der Richtlinie 1999/5/EG befindet.</p>
Grecia	<p>ΕΛΛΗΝΙΚΗ</p> <p>ΪΑ ΟΪΪ ΔΑΝΪΪΟΪΑ Nortel. ΪΕ.ΪΑΕ ΪΟΕ WLAN ΡΑΔΙΟ ΡΕΪΤΥΡΟ 2332, ΟΪΪΪΪΪ.ΪΑΟΑΕ ΔΝΪΟ ΟΕΟ ΪΟΕ.ΑΕΟ ΑΔΑΕΟΪΑΕΟ ΕΑΕ ΟΕΟ ΪΕΪΔΑΟ Ο×ΑΟΕΕΑΟ .ΕΑΟΑΪΑΕΟ ΟΪΟ Ϊ.ΪΑΕΑΟ 1999/5/ΑΕ.</p>
Inglese	<p>English</p> <p>Hereby, Nortel declares that this WLAN Radio Model 2332 Series, is in compliance with the essential requirements and other relevant provisions of Directive 1999/5/EC.</p>

Table 5.

Italia	Italiano Con la presente Nortel dichiara che questo Modello Radiofonico 2332 di WLAN, è conforme ai requisiti essenziali ed alle altre disposizioni pertinenti stabilite dalla direttiva 1999/5/CE.
LETTONIA	Latviski Ar šo Nortel deklarā, ka WLAN Radio Model 2332 Series, atbilst Direktīvas 1999/5/EK būtiskajām prasībām un citiem ar to saistītajiem noteikumiem.
Lituania	Lietuvių Šiuo Norteldeklaruoja, kad šis WLAN Radio Model 2332 Series, atitinka esminius reikalavimus ir kitas 1999/5/EB Direktyvos nuostatas.
Malta	Malti Hawnhekk, Nortel., jiddikjara li dan WLAN Radio Model 2332 Series, jikkonforma mal-tiġiet essenzjali u ma provvedimenti orajn relevanti li hemm fid-Direttiva 1999/5/EC.
Paesi Bassi	Netherlands Hierbij verklaart Nortel dat het toestel WLAN Radiomodel 2332, in overeenstemming is met de essentiële eisen en de andere relevante bepalingen van richtlijn 1999/5/EG.
Polonia	Polski Niniejszym Nortel oświadczam, że WLAN Radio Model 2332 Series, jest zgodny z zasadniczymi wymogami oraz pozostałymi stosownymi postanowieniami Dyrektywy 1999/5/EC.
Portogallo	Português Nortel declara que este Modelo De rádio 2332 de WLAN, está conforme com os requisitos essenciais e outras disposições da Directiva 1999/5/CE.
Repubblica Ceca	Česky Nortel tímto prohlašuje, že tento WLAN Rádio Model 2332 Series, je ve shodě se základními požadavky a dalšími příslušnými ustanoveními směrnice 1999/5/ES.
Romania	Român Astfel, Nortel declarã acel acest WLAN Radio Model 2332, este în conformitate cu cerinþele necesare ²i proviziile alte semnificative de Directive 1999 5 EC.
Slovacchia	Slovensky Nortel týmto vyhlasuje, že WLAN Radio Model 2332 Series spãda základné požiadavky a všetky príslušné ustanovenia Smernice 1999/5/ES.

Table 5.

Slovenia	Slovensko Nortelizjavlja, da je ta WLAN Radio Model 2332 Series, v skladu z bistvenimi zahtevami in ostalimi relevantnimi določili directive 1999/5/ES.
Spagna	Español Por medio de la presente Norteldeclara que el Modelo De radio 2332 de WLAN, cumple con los requisitos esenciales y cualesquiera otras disposiciones aplicables o exigibles de la Directiva 1999/5/CE.
Svezia	Svenska Härmed intygar Nortelatt denna WLAN Radiotelegrafer till Modell 2332, står i överensstämmelse med de väsentliga egenskapskrav och övriga relevanta bestämmelser som framgår av direktiv 1999/5/EG.
Ungheria	Magyar Alulírott, Nortelnyilatkozom, hogy a WLAN Rádió Minta 2332, megfelel a vonatkozó alapvető követelményeknek és az 1999/5/EC irányelv egyéb előírásainak.

Paesi di distribuzione e limitazioni d'uso nella Comunità europea

Funzionamento con canali da 2.400 a 2.4835 GHz nella Comunità europea

L'installatore qualificato deve utilizzare l'utilità di configurazione fornita con il prodotto per verificare il canale corrente di funzionamento, il livello di potenza di trasmissione previsto e per confermare che il dispositivo operi in conformità con le normative d'uso previste per lo specifico paese della Comunità europea. **Se il funzionamento avviene al di fuori dei canali consentiti, indicati in questo manuale, è necessario interrompere immediatamente l'utilizzo del prodotto** e l'installatore deve consultare il responsabile del supporto tecnico locale per la rete wireless.

Il funzionamento del dispositivo è previsto per tutti i paesi della Comunità europea. Segue un elenco delle ulteriori limitazioni per l'uso di 2332-E1 e serie relativa 2332 access points nei paesi della Comunità europea nella banda 2.400 a 2.4835.

- Le frequenze associate ai canali da 1 a 13 nella banda 2.400 a 2.4835 GHz sono consentite sia in interni che in esterni in tutti i paesi della Comunità europea, ad eccezione di quanto indicato di seguito:
- In **Grecia**, in **Italia**, nel **Latvia** ed in **Spagna** che l'utilizzatore finale deve fare domanda per un'autorizzazione dall'autorità nazionale di spettro fare funzionare questo dispositivo all'aperto. Consulti prego il Nortel WLAN una guida esterna delle 2300 soluzioni di serie per ulteriori informazioni per quanto riguarda le limitazioni e condizioni di gestione per le configurazioni esterne.
- In **Francia**:
 - Il funzionamento in esterni è consentito solo con le frequenze di banda da 2.400 a 2.454 GHz, includendo i canali da 1 a 7, ad un EIRP massimo di 100 mW (20 dBm).

- Il funzionamento in esterni è consentito nella banda 2.400 a 2.4835 GHz sui canali da 1 a 13 ad un EIRP massimo di 10 mW (10 dBm).
- Il funzionamento in interni è consentito nella banda 2.400 a 2.4835 GHz sui canali da 1 a 13 ad un EIRP massimo di 10 mW (20 dBm).

L'Access Point 2332-E1 e serie relativa 2332 access points, sia con antenna interna che esterna approvata, è garantito per soddisfare questi limiti mediante la regolazione automatica del livello di potenza di trasmissione utilizzando il software operativo in base al guadagno dell'antenna selezionata.

Funzionamento con i canali 5.15 a 5.25 GHz, 5.25 a 5.35 GHz e 5.470 a 5.725 GHz nella Comunità europea

Per rimanere nell'ambito della conformità con le normative di utilizzo della Comunità europea, seguire le limitazioni di canale associate alle bande 5 GHz, come indicato nel presente documento. L'installatore qualificato deve verificare il canale corrente di funzionamento e il livello di potenza di trasmissione previsto del WLAN Access Point 2332-E1 o serie relativa 2332 access point per confermare che il dispositivo operi in conformità con lo spettro delle normative d'uso per il paese della Comunità europea in cui viene installata l'unità. **Se il funzionamento avviene al di fuori delle frequenze consentite oppure oltre i livelli di potenza indicati in questo manuale, è necessario interrompere immediatamente l'utilizzo del prodotto** e l'installatore deve consultare il responsabile del supporto tecnico locale per la rete wireless.

Il funzionamento del dispositivo è previsto per tutti i paesi della Comunità europea. Seguono ulteriori limitazioni d'uso per l'Access Point 2332 nei paesi della Comunità europea nelle bande 5.15 a 5.25 GHz, 5.25 a 5.35 GHz e 5.470 a 5.725 GHz.

- Il funzionamento di questo dispositivo è consentito in interni solo se utilizzato nella Comunità europea mediante le bande 5.15-5.25 GHz e 5.25-5.35 GHz, che comprendono i canali 36, 40, 44, 48, 52, 56, 60 e 64.
- Non è consentito l'utilizzo della funzionalità 5 GHz Turbo Mode in nessuno dei paesi della Comunità europea.
- Il funzionamento è limitato alla banda 5.15 a 5.25 GHz. Non è consentito il funzionamento nelle bande 5.25 a 5.35 GHz o 5.470 a 5.725 GHz, in quanto non conforme con i requisiti DFS indicati in EN 301-893 v1.3.1.
- In **Italia** e nel **Latvia** l'utilizzatore finale deve fare domanda per un'autorizzazione dall'autorità nazionale di spettro fare funzionare questo dispositivo all'aperto. Consulti prego il Nortel WLAN una guida esterna delle 2300 soluzioni di serie per ulteriori informazioni per quanto riguarda le limitazioni e condizioni di gestione per le configurazioni esterne.

DFS (Dynamic Frequency Selection)

Questo dispositivo implementa una funzionalità DFS in accordo con i limiti definiti in EN 301-893v1.2.3, Sezione 4.6 e Annesso D, Tabelle D.1, D.2 e D.4 per un dispositivo operante nella modalità definita come "Master". La Sezione 4.6 e le Tabelle 6 e 7 di questo documento definiscono i requisiti necessari prima dell'utilizzo di un canale e durante il normale funzionamento per un dispositivo Master (ad esempio, Interference Detection Threshold, Channel Availability Check Time, Uniform Spreading, Channel Closing Transmission Time and Channel Move Time). Questo prodotto è qualificato per questa categoria, poiché la potenza di trasmissione massima è maggiore di 23 dBm, in base ai requisiti della Tabella D.2 in Annesso D dello standard.

Il funzionamento dello IEEE 802.11a nelle fasce di frequenza megahertz 5725 - di 5470 e di 5250 - 5350 megahertz è governato da ETSI EN 301-893v1.2.3 ed il R&TTE 1999/5/EC direttivo. 31 marzo efficace 2008, l'en 301-893 v1.2.3 sarà sostituito da EN 301-893v1.3.1. che il punto di accesso di 2332-E1 verrà a contatto della conformità ad en 301-893v1.3.1 tramite il funzionamento inabilitante, via software, nelle fasce di frequenza megahertz 5725 - di 5470 e di 5250 - 5350 megahertz perché non può fare fronte alle richieste di DFS conforme ad en 301-893v1.3.1.

TPC (Transmit Power Control)

I requisiti normativi europei specificano che i dispositivi wireless devono impiegare il TPC (Transmit Power Control) per ridurre le potenziali interferenze con altri sistemi di comunicazione operanti sulle bande di frequenza 5 GHz. Il dispositivo fornisce la regolazione della potenza di trasmissione in accordo con i limiti previsti in EN 301-893v1.2.3, Sezioni 4.3.1 e 4.3.2.

Dichiarazione per l'antenna esterna

Per i radiatori intenzionali, quali Nortel WLAN Serie 2332 Access Point, è previsto il funzionamento solo con antenne fornite da Nortel. Un radiatore intenzionale può essere messo in funzione solo con le antenne con le quali è stato autorizzato. Per un elenco completo delle antenne autorizzate per l'uso con questo prodotto, visitare il sito Web <http://www.nortel.com/support>.

Per poter garantire una conformità continuativa, non è consentito l'uso di un'antenna non inclusa nell'elenco delle antenne approvate da Nortel, senza specifica autorizzazione da parte di Nortel. Per ulteriori domande sulle antenne, rivolgersi a Nortel al numero 1-800-4NORTEL (1-800-466-7835) ed utilizzare il codice di instradamento espresso (ERC) 1572.

L'utilizzo di un'antenna non specificamente autorizzata da Nortel potrebbe non essere conforme ai requisiti normativi locali in relazione ai limiti delle emissioni radiate e potrebbe portare ad un uso illegale del prodotto. L'installatore del sistema wireless e dell'antenna associata deve garantire l'utilizzo con il radiatore intenzionale solo delle antenne incluse nell'elenco delle antenne approvate da Nortel o delle antenne con autorizzazione da parte di Nortel in base al caso specifico.

Fare attenzione ad associare il numero di modello di antenna appropriato e ad individuare la normativa regionale corretta quando si seleziona l'antenna autorizzata da Nortel.

Limitazioni Specifiche Dell'Antenna Esterna Del Paese

La seguente lista dei paesi non può utilizzare le antenne approvate Nortel elencate nella tabella. L'uso di queste antenne violerebbe le regole regolatrici locali e le certificazioni approvate per quel paese o funzionamento non è permessa nelle fasce di frequenza specificate.

Table 6.

Paese	2.4 Gigahertz	5.0 Gigahertz
Costa Rica		TUTTI I modelli dell'antenna
Indonesien		TUTTI I modelli dell'antenna
Giappone		S51514WPN36RSM
		S4901790PN36RS
		SR49120DAN36RS
	SR24120DN36RSM	
Corea	S2406PN36RSM	S51514WPN36RSM
	S2409PN36RSM	S4901790PN36RS
	PC2415NA36RSM	SR49120DAN36RS
	S241290PN36RSM	
	SR24120DN36RSM	
Nigeria		TUTTI I modelli dell'antenna
Federazione Russa		TUTTI I modelli dell'antenna
Tailandia		TUTTI I modelli dell'antenna

Richieste di assistenza

Questa sezione illustra le modalità per la richiesta di assistenza per i prodotti e i servizi Nortel.

Sito Web Nortel

Il mezzo più efficace per ottenere supporto tecnico per i prodotti Nortel è collegarsi al sito Web Nortel Technical Support al seguente indirizzo:

<http://www.nortel.com/support>

Sul sito è possibile trovare rapidamente software, documentazione, bollettini e strumenti utili alla risoluzione dei problemi relativi ai prodotti Nortel. In particolare, il sito consente di:

- scaricare software, documentazione e bollettini sui prodotti
- eseguire ricerche nel sito Web Technical Support e nella Knowledge Base Nortel per trovare le risposte ai problemi tecnici
- registrarsi per ricevere avvisi automatici sulla disponibilità di nuovo software e nuova documentazione per gli apparecchi Nortel
- aprire e gestire richieste di interventi di supporto tecnico

Assistenza telefonica tramite un centro soluzioni Nortel

Se le informazioni richieste non sono disponibili sul sito Web Nortel Technical Support, ed è stato sottoscritto un contratto di assistenza con Nortel, è possibile ricevere assistenza telefonica tramite un centro soluzioni Nortel. In Nord America, chiamare il numero 1-800-4NORTEL (1-800-466-7835). Negli altri paesi, visitare il sito Web e individuare il numero di telefono della regione di appartenenza:

<http://www.nortel.com/callus>

Assistenza di uno specialista tramite codice ERC (Express Routing Code)

Per accedere ad alcuni centri Nortel Enterprise Technical Support (NETS), è possibile utilizzare un codice ERC (Express Routing Code) per indirizzare rapidamente la richiesta a uno specialista del prodotto o servizio Nortel per il quale si desidera ottenere assistenza. Per individuare il codice ERC del prodotto o del servizio specifico, visitare il sito:

<http://www.nortel.com/erc>

Assistenza tramite un distributore o rivenditore Nortel

Se è stato sottoscritto un contratto di assistenza per il prodotto Nortel tramite un distributore o un rivenditore autorizzato, contattare il personale addetto al supporto tecnico presso il distributore o il rivenditore.

Declarações de conformidade normativa para o pontos de acesso WLAN Série 2332

As séries de WLAN 2332 pontos de acesso consistem nos seguintes modelos:

2332-A1, 2332-A2, 2332-A3, 2332-A4, 2332-A5, 2332-A6, 2332-E1, 2332-E2, 2332-E3, 2332-E4, 2332-E5, 2332-E6, 2332-E7, 2332-E8, 2332-E9, 2332-J1.

Avisos de conformidade da FCC (Federal Communications Commission)

Esta seção inclui as seguintes declarações da FCC sobre o ponto de acesso WLAN 2332-A1 e série relacionada 2332 pontos de acesso:

- FCC ID: RVW2332 (Aplica-se a 2332-A1)
- Declaração de interferência Classe B
- Aviso de exposição e risco de radiação por radiofrequência
- Declaração de não-modificação
- Declaração de implementação

Declaração de interferência Classe B

Este equipamento foi testado e encontra-se em conformidade com os limites para o dispositivo digital Classe B, de acordo com a Parte 15 das normas da FCC. Esses limites foram criados para oferecer proteção razoável contra interferência nociva em instalações residenciais. Este equipamento gera, utiliza e pode irradiar energia de radiofrequência e, se não for instalado e utilizado de acordo com as instruções, pode provocar interferência nociva em comunicações de rádio. No entanto, não há garantia de que essa interferência não vá ocorrer em instalações específicas. Se este equipamento causar interferência nociva nas recepções de rádio e televisão, o que pode ser determinado ligando e desligando o equipamento, o usuário deverá tentar corrigir a interferência tomando uma ou mais destas providências:

- Redirecione ou reposicione a antena de recepção.
- Aumente a separação entre o equipamento e o receptor.
- Conecte o equipamento a uma tomada de um circuito elétrico diferente daquele ao qual o receptor está conectado.
- Consulte o revendedor ou um técnico experiente em rádio/TV para obter ajuda.

Aviso da FCC:

Este dispositivo encontra-se em conformidade com a Parte 15 das normas da FCC. Sua operação está sujeita às duas condições a seguir: (1) o dispositivo não pode gerar interferências prejudiciais e (2) deve aceitar qualquer interferência recebida, inclusive interferências que causem operação indesejada.

Declaração de exposição e risco de radiação por radiofrequência

Para garantir a conformidade com os requisitos de exposição a radiofrequência da FCC, este dispositivo deve ser instalado em um local de forma que a antena dele fique a uma altura de 20 cm (8 pol.) de distância das pessoas. Não é permitido usar antenas de ganho e tipos de antena não abrangidos pela certificação FCC deste produto. Os instaladores do rádio e usuários finais do produto devem aderir às instruções de instalação fornecidos neste manual. Este transmissor deve não estar localizado ou funcionando em conjunto com qualquer outra antena ou transmissor.

Declaração de não-modificação

Use apenas a antena interna fornecida ou antenas externas fornecidas pelo fabricante. Antenas, modificações ou anexos não-autorizados podem danificar o ponto de acesso WLAN 2332-A1 e série relacionada 2332 pontos de acesso e violar os regulamentos da FCC. Qualquer alteração ou modificação não expressamente aprovada pela parte responsável pela conformidade pode anular a autoridade do usuário de operar este equipamento. Entre em contato com a Nortel para obter uma lista de antenas externas aprovadas de 2,4 GHz e 5,0 GHz.

Este dispositivo deve ser operado com o cabo Ethernet CAT-5 instalado em cada porta Ethernet de um ponto de acesso da série 2332, a fim de garantir a conformidade com os padrões de emissões Classe B. A falha em cumprir este requisito de instalação pode fazer com que o dispositivo opere excessivamente acima dos limites de emissões permitidos.

Declaração de implementação

Este produto está certificado para implementação interna apenas. Não instale nem utilize este produto externamente.

Seleção dinâmica da frequência (DFS) nas faixas de 5.0 gigahertz UNII

O ponto de acesso 2332-A1 foi proibido, através do software, de operar-se nas faixas de frequência de 5250 a 5350 megahertz e de 5470 a 5725 megahertz para os E. U. e o Canadá porque não pode se encontrar com as exigências de DFS como esboçadas nas réguas do FCC para a parte 15, Subpart E que vem na força julho em 20, 2007.

Declaração IC do Canadá

IC: 332R-2332 (Aplica-se a 2332-A1).

A operação está sujeita às duas condições a seguir no Canadá:

1. este dispositivo não pode causar interferência e
2. este dispositivo deve aceitar qualquer interferência, incluindo interferência que possa causar sua operação indesejada

Para evitar a interferência de rádio ao serviço licenciado (ou seja, sistemas de satélite móvel dos co-canais), este dispositivo é destinado a operar internamente e longe de janelas, para proporcionar o máximo de proteção. O equipamento (ou sua antena de transmissão) instalado externamente está sujeito a licenciamento e não é suportado pelo ponto de acesso WLAN 2332-A1.

Como radares de alta potência estão alocados como usuários principais (o que significa que têm prioridade) na faixa de 5250-5350 MHz, eles podem causar interferência e/ou danos nos dispositivos WLAN que não possuem licença.

Conformidade normativa da União Européia e da Associação Européia de Livre Comércio (EFTA)

Este equipamento pode ser operado em todos os países que compreendem os países membros da União Européia e da Associação Européia de Livre Comércio. Os países listados a seguir são mencionados como a Comunidade Européia em todo este documento:

ALEMANHA, ÁUSTRIA, BÉLGICA, BULGÁRIA, CHIPRE, DINAMARCA, ESLOVÁQUIA, ESLOVÊNIA, ESPANHA, ESTÔNIA, FINLÂNDIA, FRANÇA, GRÉCIA, HOLANDA, HUNGRIA, IRLANDA, ISLÂNDIA, ITÁLIA, LETÔNIA, LICHTENSTEIN, LITUÂNIA, LUXEMBURGO, MALTA, NORUEGA, POLÔNIA, PORTUGAL, REINO UNIDO, REPÚBLICA TCHECA, ROMANIA, SUÉCIA, SUÍÇA

O ponto de acesso WLAN 2332-E1 e as séries relacionadas 2332 pontos de acesso comunicam-se com um alternador de segurança WLAN, usando um cabo Ethernet de par trançado de 10/100 Mbps CAT-5 (Categoria 5) ou superior, para oferecer recursos de rede de área local sem fio (WLAN). O ponto de acesso WLAN 2332-E1 e as séries relacionadas 2332 pontos de acesso incluem uma antena de rádio de 802,11a e uma 802,11b/g e duas antenas internas onidirecionais 802,11a e duas de 802,11b/g. Além disso, o ponto de acesso 2332-E1 e série relacionada 2332 pontos de acesso pode utilizar antenas opcionais onidirecionais externas fornecidas de fábrica e/ou antenas de alto ganho direcionais, uma para rádio de 802,11b/g e uma de 802,11a, conforme descrito na seção de antena externa do Guia de Instalação do Ponto de Acesso WLAN Série 2332. Ao utilizar as antenas externas, conecte-as aos conectores R-SMA de polaridade reversa localizados na lateral do ponto de acesso WLAN 2332-E1 ou 2332 série relacionada de ponto de acesso.

Declaração de conformidade

Este símbolo



indica conformidade com os requisitos essenciais da Diretiva R&TTE da União Européia (1999/5/EC). Este equipamento atende aos seguintes padrões de conformidade:

Segurança: EN 60950-1:2001 + A11:2004

EMC: EN 55022:2006, EN 55024:1998 + A1:2001 + A2:2003, EN 301-489-1 v1.7.1, EN 301-489-17 v1.3.2, CISPR22:1997, CISPR24

Incluindo: EN 61000-3-2, -3-3, -4-2, -4-3, -4-4, -4-5, -4-6 e -4-11. O produto também está licenciado para os padrões adicionais específicos ao país, conforme requerido pelo Mercado Internacional.

Rádio: EN 300-328 v.1.7.1 (2006-10) & EN 301-893 v.1.3.1 (2005-03)

NOTA: Os 2332-E1 e as séries relacionadas 2332 pontos de acesso encontram-se com todas as especificações técnicas de EN 301-893 v1.3.1 para a operação nas faixas de 5.0 gigahertz, exceto as exigências de DFS. Os 2332-E1 e as séries associadas 2332 pontos de acesso foram testados a e são compliant com as exigências de DFS de EN 301-893 v1.2.3.

Compatibilidade eletromagnética e Problemas do espectro de rádio (ERM); sistemas de transmissão de banda larga; Equipamento de transmissão de dados operando na faixa ISM de 2,4 GHz e usando técnicas de modulação de banda larga e Redes de banda larga com acesso por rádio (BRAN); RLAN de alto desempenho de 5 GHz. As certificações são harmonizadas com os padrões EN, que abrangem os requisitos essenciais do artigo 3.2 da Diretiva R&TTE. Conformidade inclui testes com antenas, de acordo com o especificado na tabela anexa.

SAR: EN 50385:2002

Declaração de conformidade da Comunidade Européia

O modelo de rádio 2332 de WLAN, como indicados nas seguintes Declaração de conformidade da Comunidade Européia, representa todos os modelos na série 2332 como alistados acima.

Table 7.

Bulgarie	<p>български</p> <p>С това, nortel обявява, че този модел на радио на WLAN Радио Модел 2332, е със съгласие с съществените изисквания и други важни условия на директива 1999/5 на европейски съюз</p>
Alemanha	<p>Deutsch</p> <p>Hiermit erklärt Nortel., dass sich das Gerät WLAN Radiomodell 2332, in Übereinstimmung mit den grundlegenden Anforderungen und den übrigen einschlägigen Bestimmungen der Richtlinie 1999/5/EG befindet.</p>

Table 7.

Dinamarca	Dansk Undertegnede Nortel erklærer herved, at følgende udstyr WLAN Radio Model 2332 Series, overholder de væsentlige krav og øvrige relevante krav i direktiv 1999/5/EF.
Eslováquia	Slovensky Norteltýmto vyhlasuje, že WLAN Radio Model 2332 Series spáda základné požiadavky a všetky príslušné ustanovenia Smernice 1999/5/ES.
Eslovênia	Slovensko Nortelizjavlja, da je ta WLAN Radio Model 2332 Series, v skladu z bistvenimi zahtevami in ostalimi relevantnimi določili directive 1999/5/ES.
Espanha	Español Por medio de la presente Nortel declara que el Modelo De radio 2332 de WLAN, cumple con los requisitos esenciales y cualesquiera otras disposiciones aplicables o exigibles de la Directiva 1999/5/CE.
Estônia	Eesti Käesolevaga kinnitab Nortelseadme WLAN Radio Model 2332 Series, vastavust direktiivi 1999/5/EÜ põhinõuetele ja nimetatud direktiivist tulenevatele teistele asjakohastele sätetele.
Finlândia	Suomi Nortelvakuuttaa täten että WLAN Radio Esikuvallinen 2332, tyyppinen laite on direktiivin 1999/5/EY oleellisten vaatimusten ja sitä koskevien direktiivin muiden ehtojen mukainen.
França	Français Par la présente Nortel déclare que l'appareil Model Par radio 2332 de WLAN, est conforme aux exigences essentielles et aux autres dispositions pertinentes de la directive 1999/5/CE.
Grécia	ΕΛΛΗΝΙΚΗ ÏÀ ÔÇÍ ÐÁÑÏÕÓÁ Nortel. ÇÈ.ÏÁÉ ÏÕÉ WLAN ΡΑΔΙΟ πΡόΤΥΠΟ 2332, ÓÕÏÏÏÑÕ.ÏÁÔÁÉ ÐÑÏÓ ÔÉÓ ÏÕÓÉ..ÁÉÓ ÁÐÁÉÔÇÓÁÉÓ ÊÁÉ ÔÉÓ ËÏÉÐÁÓ Ó×ÁÔÉÊÁÓ .ÉÁÔÁÏÁÉÓ ÔÇÓ Ï.ÇÁÉÁÓ 1999/5/ÁÊ.
Holanda	Netherlands Hierbij verklaart Nortel dat het toestel WLAN Radiomodel 2332, in overeenstemming is met de essentiële eisen en de andere relevante bepalingen van richtlijn 1999/5/EG.

Table 7.

Hungria	Magyar Alulírott, Nortelnyilatkozom, hogy a WLAN Rádió Minta 2332, megfelel a vonatkozó alapvető követelményeknek és az 1999/5/EC irányelv egyéb előírásainak.
Inglês	English Hereby, Nortel declares that this WLAN Radio Model 2332 Series, is in compliance with the essential requirements and other relevant provisions of Directive 1999/5/EC.
Itália	Italiano Con la presente Nortel dichiara che questo Modello Radiofonico 2332 di WLAN, è conforme ai requisiti essenziali ed alle altre disposizioni pertinenti stabilite dalla direttiva 1999/5/CE.
LETÔNIA	Latviski Ar šo Norteldeklarā, ka WLAN Radio Model 2332 Series, atbilst Direktīvas 1999/5/EK būtiskajām prasībām un citiem ar to saistītajiem noteikumiem.
Lituânia	Lietuviø Šiuo Norteldeklaruoja, kad šis WLAN Radio Model 2332 Series, atitinka esminius reikalavimus ir kitas 1999/5/EB Direktyvos nuostatas.
Malta	Malti Hawnhekk, Nortel., jiddikjara li dan WLAN Radio Model 2332 Series, jikkonforma mal-tiijiet essenzjali u ma provvedimenti orajn relevanti li hemm fid-Direttiva 1999/5/EC.
Polónia	Polski Niniejszym Nortel oświadczam, że WLAN Radio Model 2332 Series, jest zgodny z zasadniczymi wymogami oraz pozostałymi stosownymi postanowieniami Dyrektywy 1999/5/EC.
Portugal	Português Nortel declara que este Modelo De rádio 2332 de WLAN, está conforme com os requisitos essenciais e outras disposições da Directiva 1999/5/CE.
República Tcheca	Ěesky Nortel tímto prohlašuje, že tento WLAN Rádió Model 2332, je ve shodě se základními požadavky a dalšími příslušnými ustanoveními směrnice 1999/5/ES.

Table 7.

Romania	Român Astfel, Nortel declară acel acest WLAN Radio Model 2332 Series, este în conformitate cu cerințele necesare și proviziile alte semnificative de Directive 1999 5 EC.
Suécia	Svenska Härmed intygar Nortelatt denna WLAN Radiotelegrafera till Modell 2332, står i överensstämmelse med de väsentliga egenskapskrav och övriga relevanta bestämmelser som framgår av direktiv 1999/5/EG.

Países de operação e restrições de uso na Comunidade Européia

Operação usando canais de 2,400 a 2,4835 GHz na Comunidade Européia

O instalador profissional deve utilizar o utilitário de configuração fornecido com este produto para verificar o canal atual de operação, o nível de potência de transmissão esperado e para confirmar se o dispositivo está funcionando de acordo com as regras de uso do espectro para o país da Comunidade Européia selecionado. Se a operação estiver ocorrendo fora dos canais permitidos, conforme indicado neste guia, a operação do produto deverá ser interrompida imediatamente e o instalador deverá consultar a equipe de suporte técnico local responsável pela rede sem fio.

Este dispositivo deve ser operado em todos os países da Comunidade Européia. Restrições adicionais de uso do ponto de acesso 2332-E1 e série relacionada 2332 pontos de acesso nos países da Comunidade Européia na faixa de 2,400 a 2,4835 GHz estão listadas a seguir.

- As frequências associadas aos canais 1 a 13 na faixa de 2,400 a 2,4835 GHz podem ser utilizadas interna ou externamente em todos os países da Comunidade Européia, exceto onde for declarado o seguinte:
- Em **Greece**, em **Italy**, em **Latvia**, e em **Spain** que o end-user deve se aplicar para uma licença da autoridade nacional do spectrum operar ao ar livre este dispositivo. Consulte por favor o Nortel WLAN a guia ao ar livre de 2300 soluções da série para uma informação mais adicional a respeito das condições das limitações e operar-se para configurações ao ar livre.
- Na **França**, a seguinte operação é permitida:
 - A operação externa só é permitida na faixa de 2,400 a 2,454 GHz, que inclui os canais 1 a 7, com um EIRP máximo de 100 mW (20 dBm).
 - A operação externa é permitida na faixa de 2,400 a 2,4835 GHz nos canais 1 a 13 com um EIRP máximo de 10 mW (10 dBm).
 - A operação interna é permitida na faixa de 2,400 a 2,4835 GHz nos canais 1 a 13 com um EIRP máximo de 100 mW (20 dBm).

O 2332-E1 e série relacionada 2332 pontos de acesso, seja utilizando as antenas internas ou externas aprovadas, tem garantia de atender a esse limite, ajustando automaticamente o nível de potência de transmissão por meio do software operacional, dependendo do ganho da antena selecionada.

Operação usando canais de 5,15 a 5,25 GHz, de 5,25 a 5,35 GHz e de 5,470 a 5,725 GHz na Comunidade Européia

Para estar de acordo com as leis de uso do espectro Nacional Europeu, siga as limitações do canal associadas às faixas de 5 GHz, conforme especificado neste documento. O instalador profissional deve verificar o canal atual de operação e o nível de potência de transmissão esperado do ponto de acesso WLAN 2332-E1 ou 2332 série relacionada de ponto de acesso para confirmar se o dispositivo está funcionando de acordo com as regras de uso do espectro para o país da Comunidade Européia em que a unidade está sendo instalada. Se a operação estiver ocorrendo fora das frequências permitidas ou acima dos níveis de potência, conforme indicado neste guia, a operação do produto deverá ser interrompida imediatamente e o instalador deverá consultar a equipe de suporte técnico local responsável pela rede sem fio.

Este dispositivo deve ser operado em todos os países da Comunidade Européia. Restrições adicionais de uso do ponto de acesso 2332-E1 e série relacionada 2332 pontos de acesso nos países da Comunidade Européia na faixa de 5,15 a 5,25 GHz, de 5,25 a 5,35 GHz e de 5,470 a 5,725 GHz estão listadas a seguir.

- Este dispositivo está restrito a uso interno somente quando operado na Comunidade Européia usando as faixas de 5,15 a 5,25 GHz e de 5,25 a 5,35 GHz, o que inclui os canais 36, 40, 44, 48, 52, 56, 60 e 64.
- A operação do recurso Turbo Mode de 5GHz não é permitida em nenhum país da Comunidade Européia.
- A operação está restrita à faixa de 5,15 a 5,25 GHz. Não é permitida operação nas faixas de 5,25 a 5,35 GHz ou de 5,470 a 5,725 GHz, porque o dispositivo não está de acordo com os requisitos DFS declarados em EN 301-893 v1.3.1.
- Em Italy e em Latvia o end-user deve aplicar-se para uma licença da autoridade nacional do spectrum operar ao ar livre este dispositivo. Consulte por favor o Nortel WLAN a guia ao ar livre de 2300 soluções da série para uma informação mais adicional a respeito das condições das limitações e operar-se para configurações ao ar livre.

Seleção de frequência dinâmica (DFS)

Este dispositivo implementa um recurso DFS de acordo com os limites do EN 301-893v1.2.3, Seção 4.6 e Anexo D, Tabelas D.1, D.2 e D.4 para um dispositivo operando no modo definido como “Mestre”. As Tabelas 6 e 7 da seção 4-6 deste documento definem os requisitos anteriores ao uso de um canal e durante a operação normal de um dispositivo Mestre (ou seja, Limite de Detecção de Interferência, Tempo de Verificação de Disponibilidade do Canal, Difusão Uniforme, Tempo de Transmissão de Aproximação do Canal e Tempo de Movimentação do Canal). Este produto está qualificado para esta categoria, pois a potência máxima de transmissão atingível é maior que 23 dBm, de acordo com os requisitos da Tabela D.2 no Anexo D do padrão.

A operação de IEEE 802.11a nas faixas de frequência de 5250 a 5350 megahertz e de 5470 a 5725 megahertz é governada por ETSI EN 301-893v1.2.3 e o R&TTE 1999/5/EC diretivo. Março eficaz 31, 2008, EN 301-893 v1.2.3 será substituído por EN 301-893v1.3.1. que o ponto de acesso de 2332-E1 se encontrará com a conformidade com EN 301-893v1.3.1 pela operação incapacitando, através do software, nas faixas de frequência de 5250 a 5350 megahertz e de 5470 a 5725 megahertz porque não pode se encontrar com as exigências de DFS como esboçadas em EN 301-893v1.3.1.

Controle da potência de transmissão (TPC)

Os requisitos Normativos Europeus especificam que os dispositivos sem fio devem entregar o controle da potência de transmissão (TPC) para reduzir o potencial de interferência em outros sistemas de comunicação operando nas faixas de frequência de 5 GHz. Este dispositivo inclui uma provisão para ajuste da Potência de Transmissão de acordo com os limites do EN 301-893v1.2.3, Seções 4.3.1 e 4.3.2.

Declaração da antena externa

Radiadores intencionais, como o 2332 Série De Ponto De Acesso, não devem ser operados com nenhuma outra antena diferente das fornecidas pela Nortel. Um radiador intencional só pode ser utilizado com a(s) antena(s) para a(s) qual(is) tem autorização. Para obter uma listagem completa das antenas que estão autorizadas para uso com este produto, visite <http://www.nortel.com/support>.

Para garantir a continuação da conformidade, não é permitido usar uma antena que não esteja na lista de antenas aprovadas pela Nortel sem autorização específica da Nortel. Para dúvidas ou consultas adicionais referentes a antenas específicas, entre em contato com a Nortel pelo telefone 1-800-4NORTEL (1-800-466-7835), e use o código de roteamento expresso (ERC) 1572.

O uso de uma antena não especificamente autorizada pela Nortel pode não estar de acordo com os requisitos normativos locais em relação aos limites de emissão radiada e pode resultar na operação ilegal do produto. O instalador do sistema sem fio e da antena associada deve garantir que apenas as antenas da lista de antenas aprovadas pela Nortel ou as antenas aprovadas especificamente pela Nortel, de acordo com cada caso, sejam implantadas com o radiador intencional.

Certifique-se de associar o número de modelo da antena apropriado e a região normativa localizada ao selecionar a(s) antena(s) autorizada(s) pela Nortel.

Limitações Da Antena Externa Do Específico Do País

A seguinte lista dos países não pode usar as antenas aprovadas Nortel alistadas na tabela. O uso destas antenas violate as réguas regulatory locais e as certificações aprovadas para essa país ou operação não são permitidas nas faixas de frequência especificadas.

Table 8.

Paese	2.4 Gigahertz	5.0 Gigahertz
Costa Rica		TODOS OS modelos da antena
Indonésia		TODOS OS modelos da antena
Japão		S51514WPN36RSM
		S4901790PN36RS
		SR49120DAN36RS
	SR24120DN36RSM	
Coreia	S2406PN36RSM	S51514WPN36RSM
	S2409PN36RSM	S4901790PN36RS
	PC2415NA36RSM	SR49120DAN36RS
	S241290PN36RSM	
	SR24120DN36RSM	
Nigéria		TODOS OS modelos da antena
Federation Russian		TODOS OS modelos da antena
Tailândia		TODOS OS modelos da antena

Cómo obtener ayuda

La presente sección expone los procedimientos que deben seguirse para obtener asistencia en relación con los productos y servicios de Nortel.

Cómo obtener asistencia en el sitio Web de Nortel

El mejor medio para obtener asistencia técnica para los productos de Nortel es el sitio Web de asistencia técnica de Nortel:

<http://www.nortel.com/support>

Este sitio le permitirá acceder rápidamente al software, la documentación, los boletines y las herramientas de resolución de problemas de los productos de Nortel. Más específicamente, en este sitio podrá:

- descargar software, documentación y boletines de productos
- realizar búsquedas en el sitio Web de asistencia técnica y la base de conocimientos de Nortel para obtener la solución apropiada a sus problemas técnicos
- inscribirse para recibir notificaciones automáticas cuando se lanzan nuevos programas y documentación para los equipos de Nortel
- abrir y administrar casos de asistencia técnica

Cómo obtener ayuda por teléfono en un Centro de soluciones de Nortel

Si no encuentra la información que necesita en el sitio Web de asistencia técnica de Nortel y dispone de un contrato de asistencia de Nortel, puede solicitar ayuda por teléfono a un Centro de soluciones de Nortel.

Si reside en América del Norte, llame al 1-800-4NORTEL (1-800-466-7835).

Si reside en otra región, visite el sitio Web que se indica a continuación para obtener el número telefónico correspondiente a su zona:

<http://www.nortel.com/callus>

Cómo solicitar ayuda a un especialista por medio del código Express Routing Code

A fin de acceder a los Centros de asistencia técnica empresarial de Nortel (NETS) puede utilizar el código ERC (Express Routing Code) para comunicarse directamente con un especialista en su producto o servicio de Nortel.

Si necesita localizar el código ERC correspondiente a su producto o servicio, visite:

<http://www.nortel.com/erc>

Cómo solicitar ayuda a un distribuidor o revendedor de Nortel

Si adquirió un contrato de servicio para su producto de Nortel de un distribuidor o revendedor autorizado, comuníquese con el personal de asistencia técnica de ese distribuidor o proveedor.

Cumplimiento regulatorio del Punto de acceso de la serie 2332 de WLAN

Las series de WLAN 2332 puntos de acceso consisten en los modelos siguientes:

2332-A1, 2332-A2, 2332-A3, 2332-A4, 2332-A5, 2332-A6, 2332-E1, 2332-E2, 2332-E3, 2332-E4, 2332-E5, 2332-E6, 2332-E7, 2332-E8, 2332-E9, 2332-J1.

Avisos de cumplimiento de la Comisión Federal de Comunicaciones (FCC)

La presente sección incluye las siguientes declaraciones de FCC correspondientes al Punto de acceso WLAN 2332-A1 y serie relacionada 2332 puntos de acceso:

- FCC ID: RVW2332 (Se aplica a 2332-A1)
- Interferencias Clase B
- Advertencia de exposición a radiación de radiofrecuencias y riesgos
- Prohibición de realizar modificaciones
- Implementación

Interferencias Clase B

Las pruebas realizadas han permitido determinar que el equipo cumple con las restricciones establecidas para los dispositivos digitales clase B, de conformidad con el apartado 15 de las normas de la Comisión Federal de Comunicaciones (FCC). El propósito de estas restricciones consiste en proporcionar un nivel razonable de protección contra las interferencias nocivas en instalaciones residenciales. Este equipo genera, utiliza y puede irradiar energía de radiofrecuencia. Por ende, debe ser instalado y utilizado de acuerdo con las instrucciones proporcionadas para evitar que cause interferencias nocivas en las comunicaciones de radio. No obstante, no existen garantías respecto de las interferencias que pueden producirse en una instalación determinada. Si el equipo origina interferencias nocivas en la señal de radio o televisión, lo que puede determinarse al encenderlo y apagarlo, el usuario podrá realizar uno o más de los siguientes procedimientos para resolver el problema:

- Reorientar o cambiar de lugar la antena receptora.
- Aumentar la distancia entre el equipo telefónico y el aparato receptor.
- Conectar el equipo a una toma que se encuentre en un circuito distinto del correspondiente al receptor.
- Consultar al proveedor o a un técnico capacitado en radio y TV.

Precaución de FCC

El presente dispositivo cumple con las disposiciones establecidas en el apartado 15 de las normas de la Comisión Federal de Comunicaciones (FCC). Su uso está sujeto a las siguientes condiciones: (1) el dispositivo no debe generar interferencias nocivas, y (2) debe admitir las interferencias recibidas, incluso las que pueden causar un funcionamiento no deseado.

Exposición a radiación de radiofrecuencias y riesgos

A efectos de garantizar el cumplimiento de los requisitos de exposición a radiofrecuencias de FCC, este dispositivo debe instalarse de modo tal que la antena se encuentre a una distancia superior a los 20 cm. (8 pulg.) de las personas. No está permitido el uso de antenas de mayor ganancia ni de antenas de tipos no contemplados en la certificación de FCC de este producto. Los instaladores de radio y los usuarios finales del producto deberán cumplir con las instrucciones de instalación que se indican en este manual.

Este transmisor no puede estar ubicado en el mismo lugar ni funcionar junto con otras antenas ni transmisores.

Prohibición de realizar modificaciones

Utilice sólo la antena interna suministrada, o las provistas por el fabricante. El uso de antenas no autorizadas, las modificaciones o los anexos podrían ocasionar daños en el Punto de acceso WLAN 2332-A1 y serie relacionada 2332 puntos de acceso e infringir las reglamentaciones de FCC. Todo cambio o modificación que no haya sido expresamente aprobada por la parte responsable del cumplimiento de las normas podría dejar sin efecto la autorización del usuario para operar el equipo. Comuníquese con Nortel para solicitar una lista de antenas externas de 2,4 GHz y 5,0 GHz aprobadas.

Este dispositivo debe operarse junto con el cable Ethernet CAT-5 instalado en cada puerto de un punto de acceso de la serie 2332 a Ethernet activo para garantizar el cumplimiento de las normas de emisiones clase B. El incumplimiento de este requisito de instalación podría ocasionar que el dispositivo supere los límites admisibles de emisiones.

Implementación

Este producto sólo puede instalarse en interiores. No instale ni utilice este producto en exteriores.

Selección dinámica de la frecuencia (DFS) en las vendas de 5.0 gigahertz UNII

El punto de acceso 2332-A1 se ha prohibido, vía software, del funcionamiento en las bandas de frecuencia de 5250 a 5350 megaciclos y de 5470 a 5725 megaciclos para los E.E.U.U. y el Canadá porque no puede resolver los requisitos de DFS conforme a las reglas de la FCC para la parte 15, Subpart E que viene en fuerza de julio el 20 de 2007.

Declaración de IC de Canadá

IC: 332R-2332 (Se aplica a 2332-A1).

El uso queda sujeto a las siguientes condiciones en Canadá:

1. el dispositivo no debe generar interferencias, y
2. debe admitir interferencias, incluso las que pueden causar un funcionamiento no deseado.

Para evitar interferencias de radio en el servicio autorizado (es decir, sistemas satelitales móviles de canal compartido), este dispositivo debe operarse en interiores y alejado de ventanas para garantizar una máxima protección. Los equipos (o sus antenas de transmisión) que se instalen en exteriores quedan sujetos al otorgamiento de una licencia y no son compatibles con el Punto de acceso WLAN 2332-A1.

Dado que los radares de alta potencia son los principales usuarios (lo que significa que tienen prioridad) de la banda de 5250-5350 MHz, podrían ocasionar interferencias y / o daños en los dispositivos WLAN exentos de licencia.

Cumplimiento con las reglamentaciones de la Asociación Europea de Libre Comercio (EFTA)

Este equipo puede operarse en los países miembros de la Unión Europea y la Asociación Europea de Libre Comercio. En el presente documento, se hace referencia a estos países como la Comunidad Europea:

AUSTRIA, BÉLGICA, BULGARIA, CHIPRE, REPÚBLICA CHECA, DINAMARCA, ESTONIA, FINLANDIA, FRANCIA, ALEMANIA, GRECIA, HUNGRÍA, IRLANDA, ITALIA, LETONIA, LITUANIA, LUXEMBURGO, MALTA, HOLANDA, POLONIA, PORTUGAL, RUMANIA, ESLOVAQUIA, ESLOVENIA, ESPAÑA, SUECIA, REINO UNIDO, ISLANDIA, LIECHTENSTEIN, NORUEGA, SUIZA

El Punto de acceso WLAN 2332-E1 y las series relacionadas 2332 puntos de acceso se comunican con un switch de seguridad WLAN de Nortel Networks por medio de un cable Ethernet CAT-5 (categoría 5) o superior de 10/100 Mbps de par trenzado para proveer funciones de red de área local inalámbrica (WLAN). El Punto de acceso WLAN 2332-E1 y las series relacionadas 2332 puntos de acceso incluyen una antena de radio de 802.11a y una de 802.11b/g, y dos antenas internas omnidireccionales de 802.11a y 802.11b/g. Asimismo, el punto de acceso 2332-E1 y las series relacionada 2332 puntos de acceso puede utilizar antenas omnidireccionales externas suministradas por fábrica y / o antenas de alta ganancia direccionales, una por cada radio 802.11a, conforme se describe en la sección de la antena externa de la Guía de instalación del Punto de acceso WLAN Serie 2332.

Cuando se utilizan antenas externas, deben conectarse a los conectores R-SMA de polaridad inversa en el lateral del Punto de acceso WLAN 2332-E1 o serie relacionada 2332 del punto de acceso.

Declaración de conformidad

La marca con este símbolo



indica el cumplimiento de los requisitos esenciales de la Directiva R&TTE de la Unión Europea (1999/5/EC).
Este equipo cumple con las siguientes normas:

Seguridad: EN 60950-1:2001 + A11:2004

EMC: EN 55022:2006, EN 55024:1998 + A1:2001 + A2:2003, EN 301-489-1 v1.7.1, EN 301-489-17 v1.3.2, CISPR22:1997, CISPR24

Incluidas: EN 61000-3-2, -3-3, -4-2, -4-3, -4-4, -4-5, -4-6 y -4-11. Asimismo, el producto cuenta con licencia, conforme lo exigen las normas de ciertos países del mercado internacional.

Radio: EN 300-328 v.1.7.1 (2006-10) & EN 301-893 v.1.3.1 (2005-03)

NOTA: Los 2332-E1 y las series relacionadas 2332 puntos de acceso resuelven todas las especificaciones técnicas de EN 301-893 v1.3.1 para la operación en las vendas de 5.0 gigahertz, excepto los requisitos de DFS. Los 2332-E1 y las series asociadas 2332 puntos de acceso fueron probados a y son obedientes con los requisitos de DFS de EN 301-893 v1.2.3.

Compatibilidad electromagnética y espectro de radio (ERM); Sistemas de transmisión de banda ancha; Equipo de transmisión de datos con funcionamiento en la banda de 2,4 GHz ISM y con técnicas de modulación de banda ancha y redes de acceso de radio de banda ancha (BRAN); RLAN de alto rendimiento de 5 GHz. Las certificaciones cumplen con las exigencias de las normas de EN y cubren los requisitos esenciales del artículo 3.2 de la Directiva R&TTE. El cumplimiento incluye pruebas con antenas conforme se especifica en la tabla adjunta.

SAR: EN 50385:2002

Declaración de conformidad de la Comunidad Europe

El modelo de radio 2332 de WLAN, según lo indicado en el declaración siguiente de la conformidad de la Comunidad Europea, representa todos los modelos en la serie 2332 según lo enumerado arriba.

Table 9.

Bulgarie	<p>български</p> <p>С това, Nortel обявява, че този модел на радио на WLAN Радио Модел 2332, е със съгласие с съществените изисквания и други важни условия на директива 1999/5 на европейски съюз</p>
Alemania	<p>Deutsch</p> <p>Hiermit erklärt Nortel., dass sich das Gerät WLAN Radiomodell 2332, in Übereinstimmung mit den grundlegenden Anforderungen und den übrigen einschlägigen Bestimmungen der Richtlinie 1999/5/EG befindet.</p>
Dinamarca	<p>Dansk</p> <p>Undertegnede Nortel erklærer herved, at følgende udstyr WLAN Radio Model 2332 Series, overholder de væsentlige krav og øvrige relevante krav i direktiv 1999/5/EF.</p>
Eslovaquia	<p>Slovensky</p> <p>Norteltýmto vyhlasuje, že WLAN Radio Model 2332 Series spĺda základné požiadavky a všetky príslušné ustanovenia Smernice 1999/5/ES.</p>
Eslovenia	<p>Slovensko</p> <p>Nortelizjavlja, da je ta WLAN Radio Model 2332 Series, v skladu z bistvenimi zahtevami in ostalimi relevantnimi določili directive 1999/5/ES.</p>
España	<p>Español</p> <p>Por medio de la presente Nortel declara que el Modelo De radio 2332 de WLAN, cumple con los requisitos esenciales y cualesquiera otras disposiciones aplicables o exigibles de la Directiva 1999/5/CE.</p>
Estonia	<p>Eesti</p> <p>Käesolevaga kinnitab Nortelseadme WLAN Radio Model 2332 Series, vastavust direktiivi 1999/5/EÜ põhinõuetele ja nimetatud direktiivist tulenevatele teistele asjakohastele sätetele.</p>
Finlandia	<p>Suomi</p> <p>Nortel vakuuttaa täten että WLAN Radio Esikuvallinen 2332, tyyppinen laite on direktiivin 1999/5/EY oleellisten vaatimusten ja sitä koskevien direktiivin muiden ehtojen mukainen.</p>

Table 9.

Francia	Français Par la présente Nortel déclare que l'appareil Model Par radio 2332 de WLAN, est conforme aux exigences essentielles et aux autres dispositions pertinentes de la directive 1999/5/CE.
Grecia	ΕΛΛΗΝΙΚΗ ÏÁ ÔÇÍ ÐÁÑÏÏÓÁ Nortel. ÇË.ÏÁË ÎÏË WLAN ΡΑΔΙΟ πΡύΤΥπΟ 2332, ÓÏÏÏÏÏ.ÏÁÔÁË ÐÑÏ ÔËÓ ÏÏË. .ÁËÓ ÁÐÁËÏÇÓÁËÓ ËÁË ÔËÓ ËÏËÐÁÓ Ó×ÁÔËËÁÓ .ËÁÔÁÏÁËËÓ ÔÇÓ Ï.ÇÁËËÁÓ 1999/5/ÁË.
Holanda	Netherlands Hierbij verklaart Nortel dat het toestel WLAN Radiomodel 2332, in overeenstemming is met de essentiële eisen en de andere relevante bepalingen van richtlijn 1999/5/EG.
Hungría	Magyar Alulírott, Nortelnyilatkozom, hogy a WLAN Rádió Minta 2332, megfelel a vonatkozó alapvető követelményeknek és az 1999/5/EC irányelv egyéb előírásainak.
Inglés	English Hereby, Nortel declares that this WLAN Radio Model 2332 Series, is in compliance with the essential requirements and other relevant provisions of Directive 1999/5/EC.
Italia	Italiano Con la presente Nortel dichiara che questo Modello Radiofonico 2332 di WLAN, è conforme ai requisiti essenziali ed alle altre disposizioni pertinenti stabilite dalla direttiva 1999/5/CE.
LETONIA	Latviski Ar šo Nortel deklarā, ka WLAN Radio Model 2332 Series, atbilst Direktīvas 1999/5/EK būtiskajām prasībām un citiem ar to saistītajiem noteikumiem.
Lituania	Lietuvių Šiuo Norteldeklaruoją, kad šis WLAN Radio Model 2332 Series, atitinka esminius reikalavimus ir kitas 1999/5/EB Direktyvos nuostatas.
Malta	Malti Hawnhekk, Nortel., jiddikjara li dan WLAN Radio Model 2332 Series, jikkonforma mal-tijiet essenzjali u ma provvedimenti orajn relevanti li hemm fid-Direttiva 1999/5/EC.

Table 9.

Polonia	Polski Niniejszym Nortel oświadczam, że WLAN Radio Model 2332 Series, jest zgodny z zasadniczymi wymogami oraz pozostałymi stosownymi postanowieniami Dyrektywy 1999/5/EC.
Portugal	Português Nortel declara que este Modelo De rádio 2332 de WLAN, está conforme com os requisitos essenciais e outras disposições da Directiva 1999/5/CE.
República Checa	Česky Nortel tímto prohlašuje, že tento WLAN Rádio Model 2332, je ve shodě se základními požadavky a dalšími příslušnými ustanoveními směrnice 1999/5/ES.
Romania	Român Astfel, Nortel declarã aceast WLAN Radio Model 2332 Series, este în conformitate cu cerinþele necesare ²i proviziile alte semnificative de Directive 1999 5 EC.
Suecia	Svenska Härmed intygar Nortel att denna WLAN Radiotelegrafera till Modell 2332, står i överensstämmelse med de väsentliga egenskapskrav och övriga relevanta bestämmelser som framgår av direktiv 1999/5/EG.

Países de funcionamiento y restricciones de uso de la Comunidad Europea

Funcionamiento con canales de 2,400 a 2,4835 GHz en la Comunidad Europea

El instalador profesional deberá emplear la utilidad de configuración suministrada con este producto para constatar el canal de operación actual, el nivel de potencia de transmisión esperado, y para confirmar si el dispositivo funciona de conformidad con las reglas de uso de espectro del país seleccionado de la Comunidad Europea. Si el funcionamiento excede los canales admisibles que se indican en esta guía, deberá interrumpirse el funcionamiento del producto de inmediato y el instalador deberá consultar al personal de asistencia técnica local responsable de la red inalámbrica.

Este dispositivo ha sido diseñado para funcionar en todos los países de la Comunidad Europea. A continuación se enumeran las restricciones de uso adicionales para el punto de acceso 2332-E1 y serie relacionada 2332 puntos de acceso dentro de los países de la Comunidad Europea en la banda de 2,400 a 2,4835 GHz.

- Las frecuencias relacionadas con los canales 1 a 13 de la banda de 2,400 a 2,4835 GHz se admiten tanto en interiores como en exteriores en todos los países de la Comunidad Europea, con excepción de:
- En **Grecia, Italia, Latvia, y España** que el usuario final debe solicitar una licencia de la autoridad nacional del espectro de funcionar este dispositivo al aire libre. Consulte por favor el Nortel WLAN la guía al aire libre de 2300 soluciones de la serie para la información adicional con respecto a restricciones y las condiciones de funcionamiento para las configuraciones al aire libre.
- En **Francia** se permite el siguiente uso:
 - El funcionamiento en exteriores se permite únicamente con la banda de 2,400 - 2,454 GHz, que incluye los canales 1 a 7, con una potencia EIRP máxima de 100 mW (20 dBm).
 - El funcionamiento en exteriores se permite con la banda de 2,400 - 2,4835 GHz en los canales 1 a 13, con una potencia EIRP máxima de 10 mW (10 dBm).
 - El funcionamiento en interiores se permite con la banda de 2,400 - 2,4835 GHz en los canales 1 a 13, con una potencia EIRP máxima de 100 mW (20 dBm).

Tanto cuando utiliza antenas internas como externas aprobadas, 2332-E1 y serie relacionada 2332 puntos de acceso cumple con este límite y ajusta automáticamente el nivel de potencia de transmisión a través del software de funcionamiento, dependiendo de la ganancia de la antena seleccionada.

Operación con los canales de 5,15 a 5,25 GHz, 5,25 a 5,35 GHz, y 5,470 a 5,725 GHz en la Comunidad Europea

A efectos de cumplir con las leyes de uso de espectro nacionales de Europa, siga las limitaciones de canal vinculadas con las bandas de 5 GHz, conforme se especifica en este documento. El instalador profesional deberá verificar el canal de funcionamiento actual y el nivel de potencia esperado del Punto de acceso WLAN 2332-E1 o serie relacionada 2332 del punto de acceso para confirmar si el dispositivo funciona de acuerdo con las reglas

de uso de espectro del país de la Comunidad Europea donde se instala la unidad. Si el funcionamiento excede las frecuencias admisibles o los niveles de potencia mencionados que se indican en esta guía, deberá interrumpirse el funcionamiento del producto de inmediato y el instalador deberá consultar al personal de asistencia técnica local responsable de la red inalámbrica.

Este dispositivo ha sido diseñado para funcionar en todos los países de la Comunidad Europea. A continuación se enumera una serie de restricciones adicionales para el uso del punto de acceso 2332-E1 y serie relacionada 2332 puntos de acceso en los países de la Comunidad Europea en las bandas de 5,15 a 5,25 GHz, 5,25 a 5,35 GHz, y 5,470 a 5,725 GHz.

- Este dispositivo queda restringido exclusivamente al uso en interiores cuando se opera en la Comunidad Europea con las bandas de 5,15-5,25 GHz y 5,25-5,35 GHz, que incluyen los canales 36, 40, 44, 48, 52, 56, 60 y 64.
- La función de Modo turbo de 5GHz no se admite en ningún país de la Comunidad Europea.
- El funcionamiento queda restringido a la banda de 5,15 a 5,25. No se admite el funcionamiento en las bandas de 5,25 a 5,35 GHz ni 5,470 a 5,725 GHz debido a que el dispositivo no cumple con los requisitos de DFS que se disponen en EN 301-893 v1.3.1.
- En Italia y Latvia el usuario final debe solicitar una licencia de la autoridad nacional del espectro de funcionar este dispositivo al aire libre. Consulte por favor el Nortel WLAN la guía al aire libre de 2300 soluciones de la serie para la información adicional con respecto a restricciones y las condiciones de funcionamiento para las configuraciones al aire libre.

Selección de frecuencia dinámica (DFS)

Este dispositivo implementa una función de DFS de conformidad con los límites de EN 301-893v1.2.3, artículo 4.6 y anexo D, tablas D.1, D.2 y D.4 para dispositivos que operan en el modo definido como “Maestro”. En el artículo 4.6, las tablas 6 y 7 definen los requisitos previos al uso de un canal y durante el funcionamiento normal de un dispositivo Maestro (es decir, el umbral de detección de interferencias, el tiempo de control de disponibilidad del canal, la distribución uniforme, el tiempo de transmisión de cierre del canal y el tiempo de desplazamiento del canal). Este producto se admite en esta categoría porque la potencia de transmisión máxima que puede alcanzar supera los 23 dBm de conformidad con los requisitos de la tabla D.2 del anexo D de la norma.

La operación de IEEE 802.11a en las bandas de frecuencia de 5250 a 5350 megaciclos y de 5470 a 5725 megaciclos es gobernada por ETSI EN 301-893v1.2.3 y el R&TTE 1999/5/EC directivo. De marcha eficaz la 31 de 2008, EN 301-893 v1.2.3 será substituida por EN 301-893v1.3.1. que el punto de acceso de 2332-E1 resolverá conformidad con EN 301-893v1.3.1 por la operación que inhabilita, vía software, en las bandas de frecuencia de 5250 a 5350 megaciclos y de 5470 a 5725 megaciclos porque no puede resolver los requisitos de DFS conforme a EN 301-893v1.3.1.

Control de potencia de transmisión (TPC)

Los requisitos europeos indican que los dispositivos inalámbricos deben emplear el control de potencia de transmisión (TPC) para reducir el potencial de interferencia con otros sistemas de comunicaciones en las bandas de frecuencia de 5 GHz. Este dispositivo permite ajustar la potencia de transmisión de conformidad con los límites que se disponen en EN 301-893v1.2.3, artículos 4.3.1 y 4.3.2.

Antena externa

Los radiadores intencionales, tales como WLAN Serie 2332 Del Punto de Acceso de Nortel, sólo pueden operarse con las antenas suministradas por Nortel. Los radiadores intencionales sólo pueden operarse con las antenas autorizadas. Para obtener un listado completo de las antenas autorizadas para este producto, visite <http://www.nortel.com/support>.

A efectos de garantizar un cumplimiento constante, el uso de antenas que no se encuentran incluidas en la lista de antenas aprobadas por Nortel no está permitido sin la autorización previa de Nortel. Si desea realizar consultas acerca de las antenas, comuníquese con Nortel al 1-800-4NORTEL (1-800-466-7835), y utilice el código ERC (Express Routing Code) 1572.

El uso de antenas no autorizadas específicamente por Nortel podría infringir las regulaciones locales que imponen los límites de emisiones irradiadas y podría constituir un funcionamiento ilegal. El instalador del sistema inalámbrico y la antena relacionada debe garantizar que sólo se instalen antenas aprobadas de la lista de Nortel o antenas específicamente aprobadas por Nortel caso por caso con el radiador intencional. Recuerde vincular el número de modelo de antena apropiado con la región regulatoria adecuada a la hora de seleccionar las antenas autorizadas por Nortel.

Restricciones De la Antena Externa Del Específico Del País

La lista siguiente de países no puede utilizar las antenas aprobadas Nortel enumeradas en la tabla. El uso de estas antenas violaría las reglas reguladoras locales y las certificaciones aprobadas para ese país u operación no se permiten en las bandas de frecuencia especificadas.

Table 10.

País	2.4 Gigahertz	5.0 Gigahertz
Costa Rica		TODOS LOS modelos de la antena
Indonesia		TODOS LOS modelos de la antena
Japón		S51514WPN36RSM S4901790PN36RS SR49120DAN36RS

Table 10.

País	2.4 Gigahertz	5.0 Gigahertz
	SR24120DN36RSM	
Corea	S2406PN36RSM	S51514WPN36RSM
	S2409PN36RSM	S4901790PN36RS
	PC2415NA36RSM	SR49120DAN36RS
	S241290PN36RSM	
	SR24120DN36RSM	
Nigeria		TODOS LOS modelos de la antena
Federación Rusa		TODOS LOS modelos de la antena
Tailandia		TODOS LOS modelos de la antena

Como obter ajuda

Esta seção explica como obter ajuda para produtos e serviços da Nortel. Obtendo ajuda no site da Nortel A melhor maneira de obter suporte técnico para os produtos da Nortel é acessando o site de suporte técnico da empresa:

<http://www.nortel.com/support>

Este site fornece rápido acesso a software, documentação, informativos e ferramentas para resolver problemas com produtos da Nortel. Mais especificamente, você poderá usá-lo para o seguinte:

- Fazer download de software, documentação e informativos de produtos.
- Pesquisar o site de suporte técnico e a Base de conhecimento da Nortel para encontrar respostas para problemas técnicos.
- Inscrever-se para ser notificado automaticamente sobre novos softwares e documentações de equipamentos da Nortel.
- Abrir e gerenciar casos de suporte técnico

Obtendo ajuda por telefone em um centro de soluções da Nortel

Se você não encontrar no site de suporte técnico da Nortel as informações de que precisa e tiver um contrato de suporte da Nortel, poderá também tentar obter ajuda pelo telefone em um Centro de soluções da Nortel.

Na América do Norte, ligue para 1-800-4NORTEL (1-800-466-7835).

Fora da América do Norte, acesse o site abaixo para obter o número de telefone correspondente à sua região:

<http://www.nortel.com/callus>

Obtendo ajuda com um especialista usando um código de roteamento expresso

Para acessar alguns Centros de Suporte Técnico Empresarial da Nortel (NETS), você pode utilizar um código de roteamento expresso (ERC) para rotear rapidamente sua chamada para um especialista do produto ou serviço da Nortel. Para encontrar o ERC do seu produto ou serviço, acesse:

<http://www.nortel.com/erc>

Obtendo ajuda por meio de um distribuidor ou revendedor Nortel Se foi firmado contrato de serviço para o seu produto da Nortel com um distribuidor ou revendedor autorizado, entre em contato com a equipe de suporte técnico desse distribuidor ou revendedor.

WLAN—Access Point 2330s

Cable requirements	80
Suspended ceiling installation—flush ceiling tiles	81
Suspended ceiling installation—drop ceiling tiles	84
Junction box installation	87
Solid wall or ceiling installation	89
Configuring the AP	91

This document provides basic indoor hardware installation instructions for the WLAN 2332 Series access points.

For more information about AP installation as well as safety and installation requirements, see the following:

- *Nortel WLAN—Series 2332 Access Point Installation*

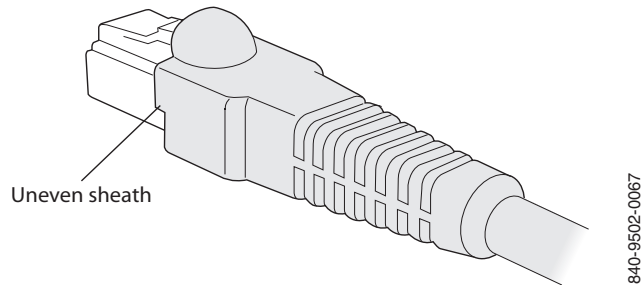


Note. WLAN Access Point 2332 Series requires WMS and WSS Software Release 6.0 (or later) for correct configuration and operation.

Cable requirements

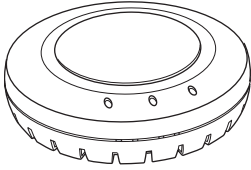
The Ethernet ports on an AP cannot accept a CAT-5 cable that has an uneven sheath such as the one shown in Figure 1. The RJ-45 connector on the cable will not seat properly in the receptacle on the AP. Use a CAT-5 cable with an even sheath instead.

Figure 1. Do Not Use a CAT-5 Cable with an uneven sheath

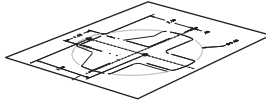


Suspended ceiling installation—flush ceiling tiles

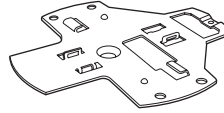
This procedure applies to T-bars that are 23.9 mm (15/16 inch) wide. For a 14.2-mm (9/16 inch) or 15.9-mm (5/8 inch) T-bar, go to “Suspended ceiling installation—drop ceiling tiles” on page 84.



Access
point



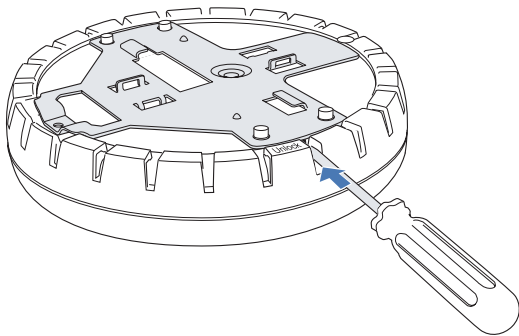
Mounting
template



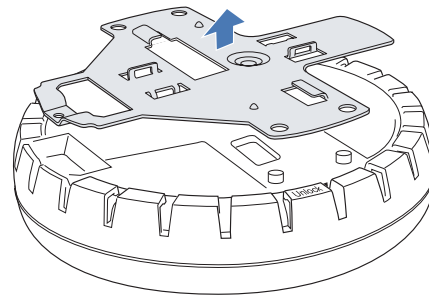
Mounting
bracket

840-9502-0089

- 1 Use the mounting template to cut a hole for the CAT-5 Ethernet cable.
- 2 Remove the mounting bracket from the 2332 Series access point.

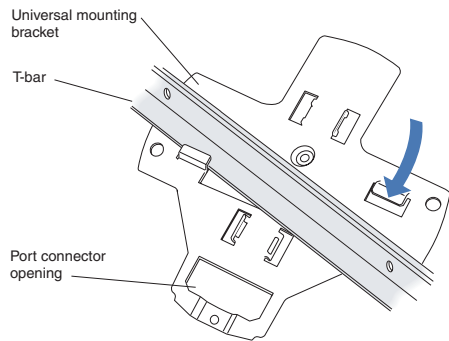


840-9502-0011

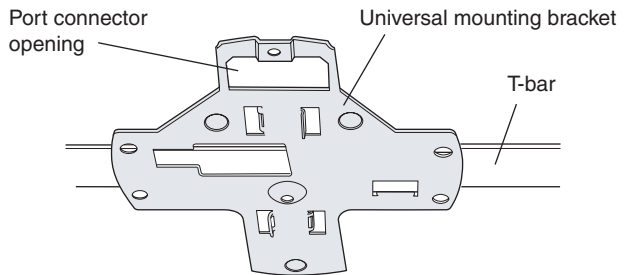


840-9502-0008

- 3 Attach the mounting bracket to the T-bar clamp.

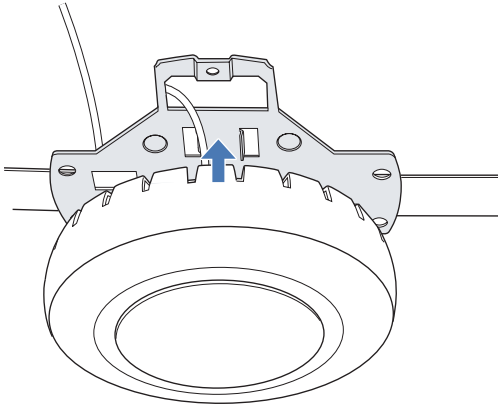


(Viewed from above ceiling tiles, looking down.)



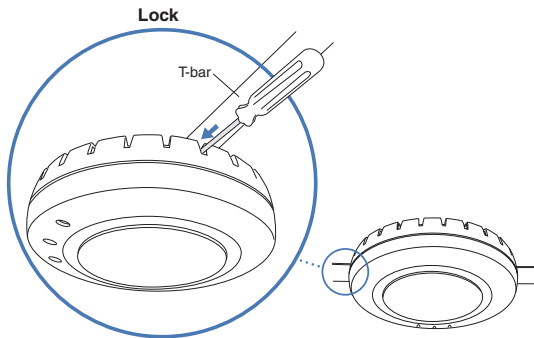
840-9502-0005

- 4 Insert the CAT-5 Ethernet cable through the point connector opening in the mounting bracket, then plug the cable into the Series 2332 access point.



840-9502-0002

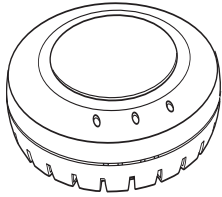
- 5 Attach the AP to the mounting bracket.



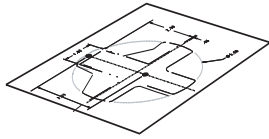
840-9502-0006

Suspended ceiling installation—drop ceiling tiles

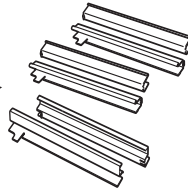
This procedure applies to T-bars that are 23.9 mm (15/16 inch), 14.2-mm (9/16 inch), or 15.9-mm (5/8 inch) wide. You also can use this procedure for flush ceilings with 14.2-mm (9/16 inch) or 15.9-mm (5/8 inch) T-bars.



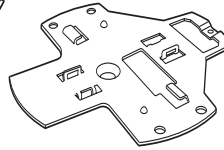
Access
point



Mounting
template



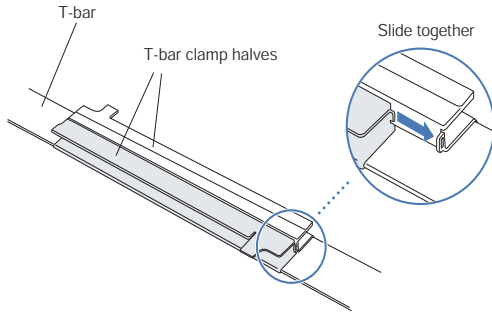
T-bar clamps
(use set that fits T-bar)



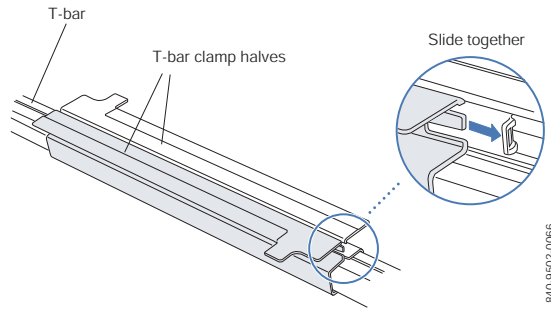
Mounting
bracket

840-9502-0088

- 1 Use the mounting template to cut a hole for the CAT-5 Ethernet cable.
- 2 Install the T-bar clamp that fits the T-bar.



840-9502-0003

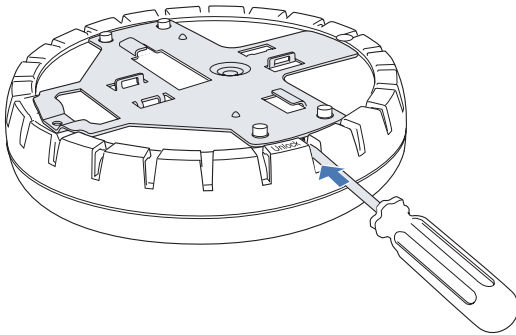


840-9502-0066

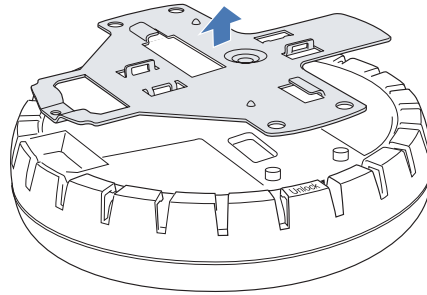
23.9-mm (15/16 inch) or 14.2-mm (9/16 inch) T-bar
(The clamps are different widths but the assembly is the same.)

15.9-mm (5/8 inch) T-bar

- 3 Remove the mounting bracket from the access point.

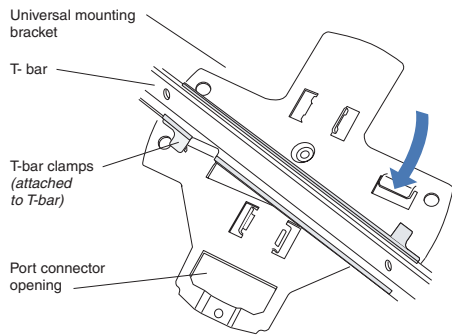


840-9502-0011

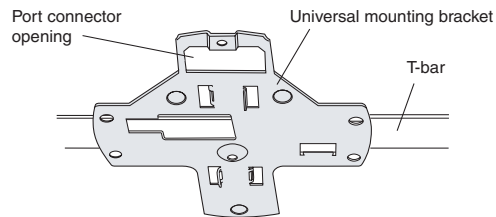


840-9502-0008

- 4 Attach the mounting bracket to the T-bar clamp.



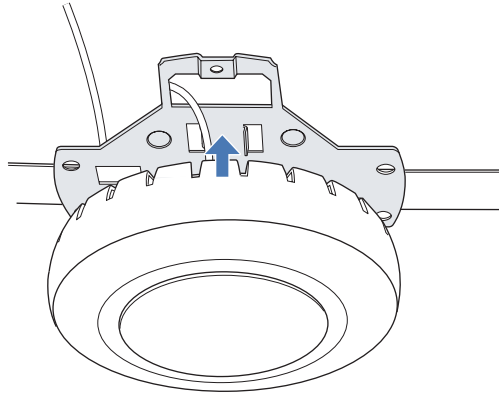
840-9502-0012



840-9502-0004

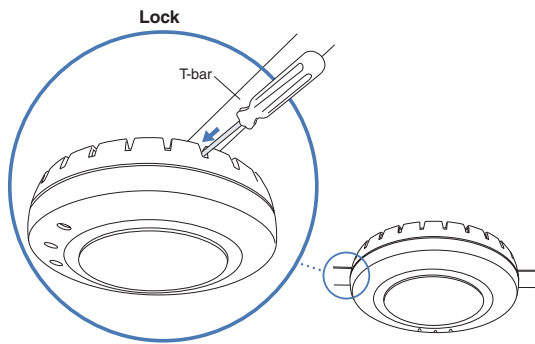
(Viewed from above ceiling tiles, looking down.)

- 5 Insert the CAT-5 Ethernet cable through the point connector opening in the mounting bracket, then plug the cable into the access point.



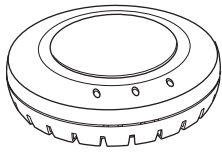
840-9502-0002

- 6 Attach the Series 2332 access point to the mounting bracket.

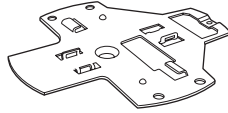


840-9502-0006

Junction box installation



Access point



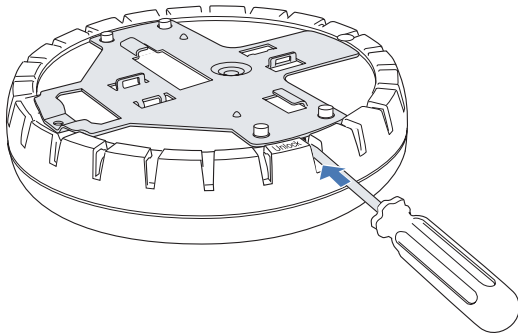
Mounting bracket



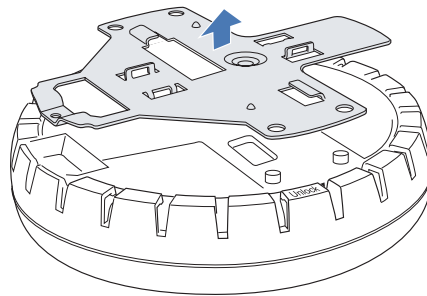
Mounting hardware

840-9502-0090

- 1 Remove the mounting bracket from the Series 2332 access point.

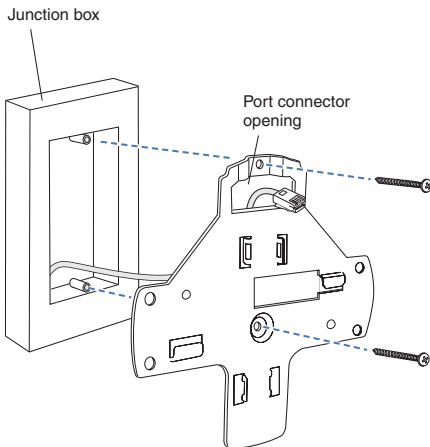


840-9502-0011



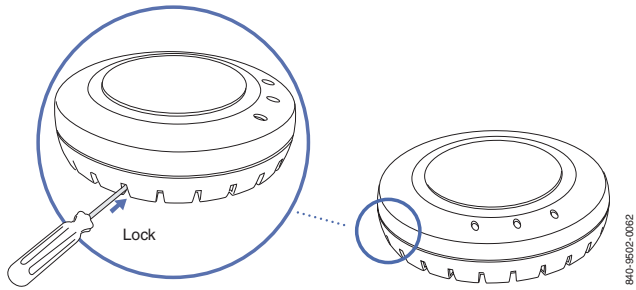
840-9502-0008

- 2 Attach the bracket to the junction box.

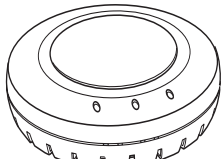


840-9502-0017

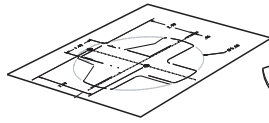
- 3 Plug the CAT-5 Ethernet cable into the 2332 Series access point and attach the Series 2332 access point to the mounting bracket.



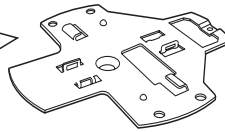
Solid wall or ceiling installation



Access
point



Mounting
template



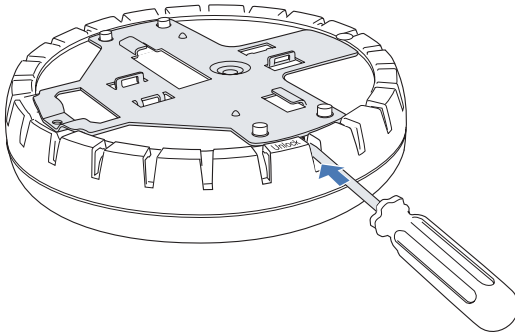
Mounting
bracket



Mounting
hardware

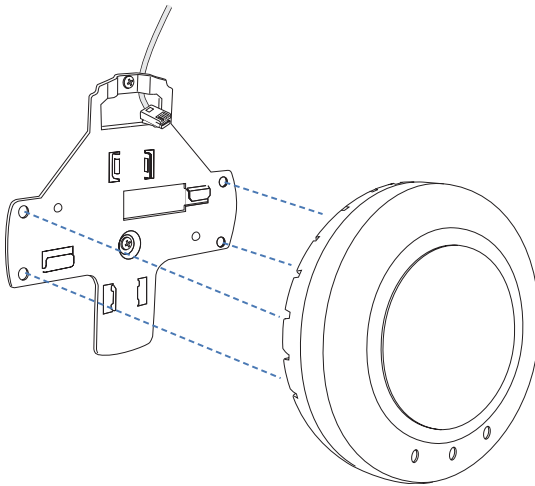
840-9502-0091

- 1 Use the mounting template to cut a hole for the CAT-5 Ethernet cable.
- 2 Remove the mounting bracket from the Series 2332 access point.



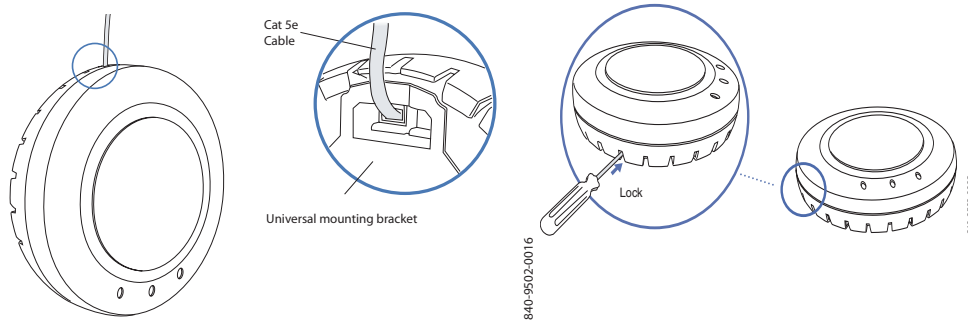
840-9502-0011

- 3 Attach the bracket to the wall or ceiling.



840-9502-0015

- 4 Plug a CAT-5 Ethernet cable into the 2332 Series access point and attach the Series 2332 access point to the mounting bracket.



Caution! When mounting the Series 2332 Access Point, this device must be installed in a location such that the device will be greater than 20 cm (8 in.) away from all persons to ensure compliance with regulatory RF exposure requirements. Using higher gain antennas and types of antennas not covered under the FCC certification of this product is not allowed.

Configuring the AP

To configure the channels, power settings, and other 2332 Series parameters, see the following:

- *Nortel WLAN—Security Switch 2300 Series Quick Start Guide*
- “Configuring a WSS for Basic Service” chapter in the *Nortel WLAN—Security Switch 2300 Series Installation and Basic Configuration Guide*
- “Configuring the AP Access Points” chapter in the *Nortel WLAN—Security Switch 2300 Series Configuration Guide*

Translated caution statement, warning conventions and warning messages

The following caution statement, warning conventions, and warning messages apply to this manual.



Caution! The Nortel WLAN Access Point 2332 Series radios are disabled by default and can be enabled only by a system administrator using the WSS.

Attention! Les communications radios points d'accès WLAN 2332 Série de Nortel sont désactivées par défaut et peuvent être activées uniquement par un administrateur système utilisant le WSS.

Achtung! Der Nortel WLAN Access Point 2332 Familie Radios sind standardmäßig ausgeschaltet und können nur durch einen Systemadministrator unter Verwendung des WSS eingeschaltet werden.

Precaución! Las radios Punto de acceso 2332 Série WLAN de Nortel se desactivan en forma predeterminada y pueden activarse sólo con un administrador de sistema utilizando el WSS.

Cuidado! Os rádios Nortel WLAN Access Point 2332 Série estão desativados por padrão e só podem ser ativados por um administrador de sistema usando WSS.

Attenzione! Le radiazioni del dispositivo Nortel WLAN Access Point 2332 Serie vengono disattivate per impostazione predefinita e possono essere attivate soltanto da un amministratore di sistema tramite WSS.

Warning conventions



Warning! This situation or condition can cause injury.

Avertissement! Cette situation ou condition peut entraîner un risque de blessure.

Warnung! Diese Situation oder dieser Umstand kann zu Verletzungen führen.

Advertencia! Esta situación o condición puede causar lesiones.

Aviso! Esta situação ou condição pode causar ferimentos.

Avviso! Situazione o condizione che può causare ferite.



Warning! High voltage. This situation or condition can cause injury due to electric shock.

Avertissement! Tension élevée. Cette situation ou condition peut entraîner un risque de blessure provoquée par un choc électrique.

Warnung! Hochspannung. Diese Situation oder dieser Umstand kann zu Verletzungen durch Stromschläge führen.

Advertencia! Alto voltaje. Esta situación o condición puede causar lesiones debido a electrocución.

Aviso! Alta tensão. Esta situação ou condição pode causar ferimentos devido a choque elétrico.

Avviso! Alta tensione. Questa situazione o condizione può causare ferite dovute a scosse elettriche.

Qualified service personnel warning



Warning! Only qualified service personnel must perform installation. Read and follow all warning notices and instructions marked on the product or included in the documentation.

Avertissement! L'installation doit être effectuée exclusivement par un personnel qualifié. Lisez et conformez-vous à tous les avis et instructions d'avertissement indiqués sur le produit ou dans la documentation.

Warnung! Nur qualifiziertes Wartungspersonal darf die Installation vornehmen. Lesen und befolgen Sie die Warnungshinweise und Anweisungen, die auf dem Produkt gekennzeichnet oder in der Dokumentation enthalten sind.

Advertencia! Sólo el personal de servicio calificado podrá realizar la instalación. Lea y siga todas las instrucciones y advertencias marcadas en el producto o incluidas en la documentación.

Aviso! Apenas profissionais de atendimento técnico qualificados devem realizar a instalação. Leia e siga todos os avisos e instruções destacados no produto ou que façam parte da documentação.

Avviso! L'installazione deve essere eseguita esclusivamente da personale qualificato. Leggere e seguire tutti gli avvisi e le istruzioni presenti sul prodotto o inclusi nella documentazione.

Radio safety warnings



Warning! Install this device in such a manner as to maintain a minimum of 20 cm (7.9 inches) separation distance between the radiating element(s) and all persons. This safety warning conforms with FCC radio frequency exposure limits.

Avertissement! Installez cet appareil de façon à maintenir une distance d'au moins 20 cm entre les éléments rayonnants et tout individu. Cet avertissement de sécurité est conforme aux limites d'exposition aux radiofréquences établies par la FCC.

Warnung! Installieren Sie das Gerät so, dass zwischen dem strahlenden Element bzw. den strahlenden Elementen und allen Personen mindestens ein Abstand von 20 cm eingehalten wird. Diese Sicherheitswarnung richtet sich nach den Grenzwerten für die Belastung durch Hochfrequenz der FCC.

Advertencia! Instale este dispositivo de tal manera que mantenga una distancia de separación mínima de 20 cm. (7.9 pulgadas) entre los elementos emisores y todas las personas. Esta advertencia de seguridad está de acuerdo con los límites de exposición de frecuencia radioeléctrica de la FCC (Comisión Federal de las Comunicaciones).

Aviso! Instale o dispositivo de modo que exista um mínimo de 20 cm (7,9 polegadas) de distância de separação entre o(s) elemento(s) radiador(es) e as pessoas. Esse aviso de segurança está em conformidade com os limites de exposição à radiofrequência especificados pela FCC.

Avviso! Installare il dispositivo in modo tale da mantenere una distanza minima di 20 cm tra gli elementi irradianti e le persone. Questo avviso sulla sicurezza è conforme ai limiti FCC sull'esposizione alla frequenza radio.



Warning! Do not operate access point near unshielded blasting caps or in an otherwise explosive environment unless the device has been modified for such use by qualified personnel.

Avertissement! Ne faites pas fonctionner de point d'accès à proximité de détonateurs non blindés ou dans des milieux présentant des risques d'explosion à moins que l'appareil n'ait été modifié pour cet usage par un personnel qualifié.

Warnung! Bedienen Sie den Zugangspunkt nicht in der Nähe von unabgeschirmten Zündkapseln oder anderweitig explosionsgefährdeten Umgebungen, außer das Gerät wurde durch geschultes Wartungspersonal für diese Verwendung geändert.

Advertencia! No maneje el punto de acceso cerca de cápsulas detonadoras no aisladas o en ambientes explosivos a menos que el dispositivo haya sido modificado para ese uso por personal calificado.

Aviso! Não opere um ponto de acesso próximo a detonadores sem proteção ou em ambientes explosivos a não ser que o dispositivo tenha sido modificado para ser desta forma utilizado por pessoal qualificado.

Avviso! Non utilizzare il punto di accesso nelle vicinanze di involucri esplosivi non schermati o in qualsiasi ambiente in cui siano presenti sostanze esplosive, a meno che il dispositivo non sia stato modificato per tale uso da personale qualificato.



Warning! Do not touch or move the access point when the antennas are transmitting or receiving.

Avertissement! Ne touchez pas le point d'accès lors de l'émission ou de la réception des antennes.

Warnung! Berühren und bewegen Sie den Zugangspunkt nicht, wenn die Antennen senden oder empfangen.

Advertencia! No toque ni mueva el punto de acceso cuando las antenas transmiten o reciben.

Aviso! Não toque ou desloque o ponto de acesso enquanto as antenas estiverem transmitindo ou recebendo dados.

Avviso! Non toccare o spostare il punto di accesso mentre le antenne sono in fase di trasmissione o ricezione.



Warning! Before using a wireless device in a hazardous location, consult the local codes, national codes, and safety directors of the location for usage constraints.

Avertissement! Avant d'utiliser un appareil sans fil dans un endroit dangereux, consultez la réglementation locale et nationale ainsi que les responsables de la sécurité de l'endroit concerné pour obtenir des informations relatives aux conditions et aux limites d'utilisation de cet appareil.

Warnung! Bevor Sie ein drahtloses Gerät an einem gefährlichen Ort verwenden, informieren Sie sich über die regionalen und landesweiten Gesetze, und wenden Sie sich an Orten mit Nutzungsbeschränkungen an die Sicherheitsbeauftragten.

Advertencia! Antes de utilizar un dispositivo inalámbrico en una ubicación peligrosa, consulte los códigos locales, nacionales y los directorios de seguridad de la ubicación acerca de las restricciones de uso.

Aviso! Antes de usar um dispositivo sem fio em local perigoso, consulte as normas locais e nacionais, além de diretrizes de segurança locais para se informar sobre restrições de uso.

Avviso! Prima di utilizzare un dispositivo wireless in un ambiente pericoloso, controllare i codici locali e nazionali e consultare i relativi servizi antinfortunistici per le restrizioni sull'uso.



Warning! Intentional radiators, such as the Nortel WLAN Access Point 2332 Series are not intended to be operated with any antenna(s) other than those furnished by Nortel. An intentional radiator may only be operated with the antenna(s) with which it is authorized. For a complete listing of the authorized antennas for use with this product, visit <http://www.nortel.com/support>

Avertissement! Les émetteurs intentionnels, tels que les points d'accès WLAN 2332 Série de Nortel ne sont pas destinés à fonctionner avec des antennes autres que celles fournies par Nortel. Un émetteur intentionnel peut fonctionner uniquement avec une antenne agréée. Pour une liste complète des antennes agréées à utiliser avec ce produit, rendez-vous sur le site Web <http://www.nortel.com/support>

Warnung! Vorsätzliche Funksender wie der Nortel WLAN Access Point 2332 Familie dürfen nicht mit anderen, als den von Nortel bereitgestellten Antennen verwendet werden. Ein vorsätzlicher Funksender darf nur mit den Antennen verwendet werden, für die er autorisiert ist. Eine vollständige Liste mit allen autorisierten Antennen für dieses Produkt finden Sie unter <http://www.nortel.com/support>

Advertencia! Los equipos que generan transmisiones intencionales, como el Punto de acceso 2332 Série WLAN de Nortel no están ideados para funcionar con ninguna antena que no esté diseñada por Nortel. Los equipos que generan transmisiones intencionales pueden funcionar sólo con las antenas para las que están autorizados. Para obtener una lista completa de las antenas autorizadas para este producto, visite <http://www.nortel.com/support>

Aviso! Radiadores por definição, como o Nortel WLAN Access Point 2332 Série não devem ser operados com nenhuma outra antena senão aquela fornecida pela Nortel. Estes radiadores devem operar apenas com antena(s) cujo uso seja autorizado. Para uma lista completa das antenas que têm autorização para serem usadas com o produto, acesse <http://www.nortel.com/support>

Avviso! I trasmettitori intenzionali, quali Nortel WLAN Access Point 2332 Serie non sono progettati per il funzionamento con antenne di tipo diverso da quello fornito da Nortel. Un trasmettitore intenzionale può funzionare esclusivamente con le antenne per le quali dispone di autorizzazione. Per un elenco completo delle antenne autorizzate per l'uso di questo prodotto, visitare il sito <http://www.nortel.com/support>

Nortel WLAN—Series 2332 Access Points Quick Installation

WLAN Series 2332

Release 6.0.7

Document Number: **NN47250-308**

Document Status: **Standard**

Document Version: **01.51**

Part Code: **324137-B**

Release Date: **June 2008**

Copyright © Nortel Networks Limited 2007-2008 All Rights Reserved

The information in this document is subject to change without notice. The statements, configurations, technical data, and recommendations in this document are believed to be accurate and reliable, but are presented without express or implied warranty. Users must take full responsibility for their applications of any products specified in this document. The information in this document is proprietary to Nortel Networks.

*Nortel, Nortel Networks, the Nortel logo, and the Globemark are trademarks of Nortel Networks.

*Microsoft, MS, MS-DOS, Windows, and Windows NT are registered trademarks of Microsoft Corporation.

All other trademarks and registered trademarks are the property of their respective owners.

To provide feedback, or to report a problem in this document, go to

www.nortel.com/documentfeedback.

