

# ORECK<sup>®</sup> XL<sup>®</sup>

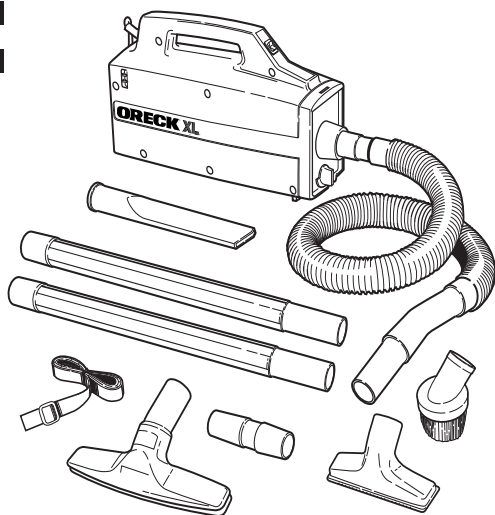
S I M P L Y   A M A Z I N G<sup>®</sup>

F R A N Ç A I S

**GUIDE D'UTILISATION PAGE 8**

E S P A Ñ O L

**GUIA DEL USUARIO PAGE 16**



## USER'S GUIDE COMPACT CANISTER VACUUMS

### •IMPORTANT•

#### SAVE THIS BOOKLET!

Includes:

- Safety Warnings
- Parts List
- Operating Instructions
- Maintenance
- Warranty
- Trouble Diagnosis
- Accessories List



**USA: 1-800-989-3535**  
**CANADA: 1-888-676-7325**



**WWW.ORECK.COM**



**VISIT ONE OF OUR OVER  
450 STORE LOCATIONS**

**BEFORE OPERATING  
CLEANER, READ ALL  
INSTRUCTIONS IN THIS  
MANUAL CAREFULLY.**

**Table of Contents**

Safeguards, Important  
Safety Instructions . . . . . page 1  
Warranty . . . . . page 2  
Accessory Parts List . . . . . page 3  
Operating . . . . . page 4  
Assembly Instructions . . . . . page 5  
Maintenance & Customer  
Service . . . . . page 6  
Troubleshooting Guide,  
Accessories . . . . . page 7  
Français Guide  
D'utilisation . . . . . page 8  
Español Guía Del Usuario . . . page 16

**Safeguards**



**WARNING: Unplug cord from electrical outlet before servicing.**

- **IMPORTANT:** Make sure filter bag is in place. Do not operate cleaner without filter bag. Damage to motor may occur.
- Be sure bag gasket is in place. If the white bag gasket is damaged or lost, replace at once.
- For best results, change disposable filter bag regularly even if it is not completely full. An extremely dirty bag or a bag close to full will affect the suction of the cleaner and can create excessive motor heat that could damage the motor. A good practice is to change filter bag every 30 days even if it is not full.
- Do not pick up moist material or liquids.
- Clean your vacuum cleaner with a damp (not wet) cloth in the disposable bag cavity and the outside of canister unit.

- **IMPORTANT: DO NOT REMOVE** the dirt retaining flap attached on the back of the front plate. It must be left in place for the unit to operate properly and to ensure cleaning effectiveness.

- **MOTOR PROTECTION SYSTEM:** If fine materials such as soot, cement, plaster dust, copy machine powder, etc. are picked up, the bag surface may seal and cause the motor to shut off to avoid over-heating. If this happens, turn the switch off and unplug the cleaner. Replace filter bag. Check and clear any clogs in hose or accessories. After approximately 30 min. the motor will have cooled and the cleaner will be ready to use.

**Note: The cleaner must remain unplugged for 30 minutes for motor to cool and system to reset.**

**IMPORTANT  
SAFETY INSTRUCTIONS**

When using an electrical appliance, basic precautions should always be followed, including the following:

**READ ALL INSTRUCTIONS  
BEFORE USING THIS VACUUM  
CLEANER**



**WARNING**

**To reduce the risk of fire, electric shock, or injury:**

- Do not leave appliance unattended when plugged in. Unplug from outlet when not in use and before servicing.
- Do not use outdoors or on wet surfaces.
- Do not allow to be used as a toy. Close attention is necessary when used by or near children.
- Use only as described in this manual.
- Do not use with damaged cord or plug. If appliance is not

working as it should, has been dropped, damaged, left outdoors, or dropped into water, return it to a service center or call customer service.

Commercial 1-800-989-3535  
Canada 1-888-676-7325

- Do not pull or carry by cord, use cord as a handle, close door on cord, or pull cord around sharp edges or corners. Do not run appliance over cord. Keep cord away from heated surfaces.
- Do not unplug by pulling on cord. To unplug, grasp the plug, not the cord.
- Do not handle plug or appliance with wet hands.
- Do not put any object into openings. Do not use with any opening blocked; keep free of dust, lint, hair and anything else that may reduce air flow.
- Keep hair, loose clothing, fingers and all parts of body away from openings and moving parts.
- Do not use to pick up anything that is burning or smoking, such as cigarettes, matches, or hot ashes.
- Do not use without filter bag assembly in place.
- Turn off all controls before unplugging.
- Use extra care when cleaning on stairs.
- Do not use to pick up flammable or combustible liquids, such as gasoline, or use in areas where they may be present.

## **SAVE THESE INSTRUCTIONS**

### **Household Use Only**

#### **Polarized Plug Notice**

This product is equipped with a polarized alternating current line plug (a plug having one blade wider than the

other). This plug will fit into the power outlet only one way. This is a safety feature. If you are unable to insert the plug fully into the outlet, try reversing the plug. If the plug should still fail to fit, contact an electrician to replace the obsolete outlet. Do not defeat the purpose of the polarized plug.

## **Warranty**

**ORECK MANUFACTURING COMPANY:** (ORECK gives you the following limited warranty for this product only if it was originally purchased for use, not resale, from ORECK or an ORECK Authorized Retail Dealer.)

Oreck will repair or replace, free of charge, to the original purchaser, any part which is found to be defective in material or workmanship within three (3) years of the date of purchase; ten (10) years on housing. This limited warranty applies to normal domestic use. Any commercial use of this product will void this limited warranty.

Parts subject to normal wear are not covered by this limited warranty.

This limited warranty does not apply to any part subjected to accident, abuse, commercial use, alteration, misuse, damage caused by fire or act of God, the use of voltages other than indicated on the serial number plate of this product or service of this product by other than ORECK or an ORECK Factory Authorized Service Center.

ORECK does not authorize any person or representative to assume or grant any other warranty obligation with the sale of this product.

ORECK's limited warranty is valid only if you retain proof of purchase from ORECK or an ORECK Authorized Retail Dealer for this product. If you purchase this product from any other source, your purchase is "AS IS," which means ORECK grants you no warranty, and that you, not ORECK, assume the entire risk of the quality and performance of this product, including the entire cost of any necessary servicing or repairs of any defects.

ORECK's liability for damages to you for any costs whatsoever arising out of this statement of limited warranty shall be limited to the amount paid for this product at the time of original purchase, and ORECK shall not be liable for any direct, indirect, consequential or incidental damages arising out of the use or inability to use this product.

Some states do not allow the exclusion or limitation of incidental or consequential damages, so the above limitation or exclusion may not apply to you.

ALL EXPRESS AND IMPLIED WARRANTIES FOR THIS PRODUCT, INCLUDING IMPLIED WARRANTIES OF MERCHANTABILITY AND FITNESS FOR A PARTICULAR PURPOSE, ARE LIMITED IN DURATION TO THE WARRANTY PERIOD, AND NO WARRANTIES, WHETHER EXPRESS OR IMPLIED, WILL APPLY AFTER THIS PERIOD.

Some states do not allow limitations on the duration of implied warranties, so the above limitation may not apply to you.

This warranty gives you specific legal rights, and you may also have other rights which vary from state to state.

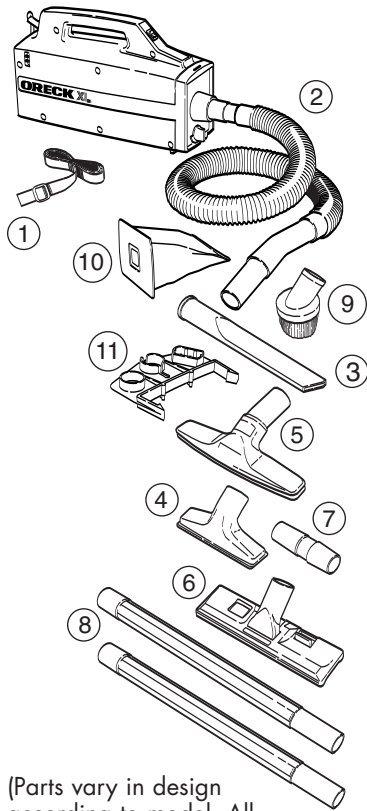
**CALL CUSTOMER SERVICE  
HOT LINE  
US 1-800-989-3535  
Canada 1-888-676-7325**

Whenever calling, please be sure to have your model and serial number from data plate.

**Accessory Parts List**

1. Adjustable shoulder strap.
2. Flexible hose with built-in adapter for easy insertion in vacuum or blower port.
3. Crevice tool.
4. Fabric tool.
5. Bare floor & wall tool. BB70AW
6. Deluxe Bare floor and wall tool. BB870AD\*

7. Tool adapter tube for fitting tools directly to vacuum when not using hose.
8. Two extension wands.
9. Dusting brush.
10. Two paper filter bags.
11. On Board Tool Caddy. BB870AD\*\*



(Parts vary in design according to model. All parts not available for all models.)

\* BB870-AW Owners:  
The On-Board Tool Caddy and the Deluxe Floor/ Carpet Black Tool can be purchased separately.

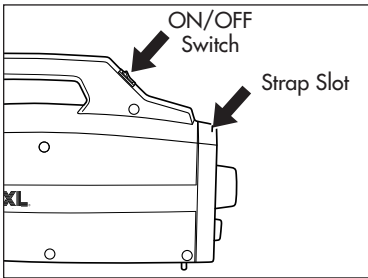
\*\* Caddy not included in all BB870-AD Models

To order new parts or accessories call:  
US 1-800-989-3535  
CANADA 1-888-676-7325

## To Operate



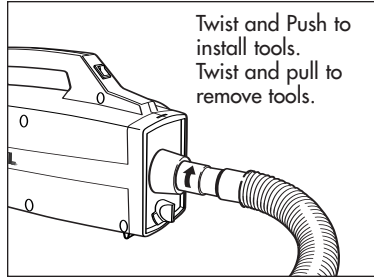
**IMPORTANT: DO NOT REMOVE** the dirt retaining flap attached on the back of the front plate. It must be left in place for the unit to operate properly and to ensure cleaning effectiveness.



### Shoulder Strap

Insert end of shoulder strap into slot in front of on/off power switch. Pull through three to four inches and insert into plastic clip. One inch of strap must be completely through clip. Insert other end of strap through slot located at back of handle. Insert end into clip and pull through. Adjust length by pulling strap through clip. Strap must go through both front and back clips.

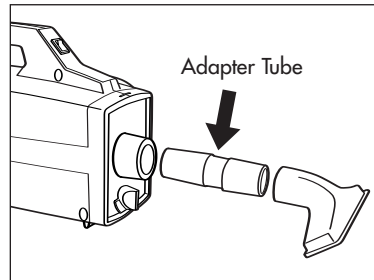
**IMPORTANT:** Before using shoulder strap, pull both ends to be sure it is secure.



Twist and Push to install tools.  
Twist and pull to remove tools.

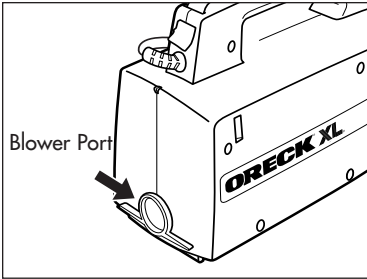
### Hose & Tool Installation

The flexible hose uses a Shurlok® locking system that prevents hose removal unless intended. To install hose, align "J" slot in hose coupling with tab inside the suction port. Insert hose in port. Twist collar clockwise to lock hose coupling in port. Twist counterclockwise and pull to remove hose.



The extension wands and cleaning tools supplied with your Oreck XL Compact Canister Vacuum lock together with friction. **Twist and push** to be sure they lock tightly when installing. Twist and pull to remove.

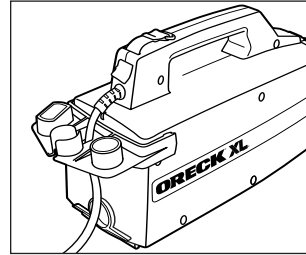
When installing tools directly to blower or suction port without using hose, tool adapter must be used.



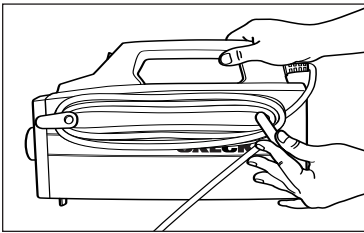
**Blower Port**

The blower port is located at the rear of the machine. Installation of tools is the same as described for suction port.

If caddy needs to be removed, a large flat-head screwdriver inserted under caddy clip at indent can be used to carefully pry caddy loose.

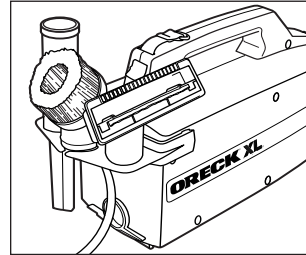


Pull cord through center opening in caddy and push until it is seated at back of slot at rear of center opening in caddy.



**Cord Dump**

Twist cord dump to easily release stored cord.



**Plug cord into electrical outlet.**

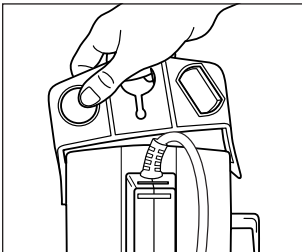
**Power Switch**

Push power switch to "ON" (I) position.

Insert crevice tool, brush and fabric tool into caddy in spaces provided.

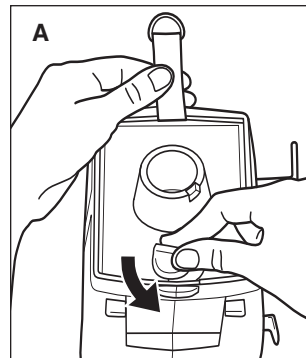
**Assembly**

**Maintenance**



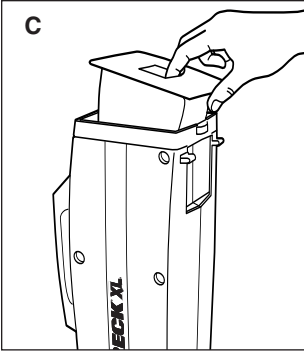
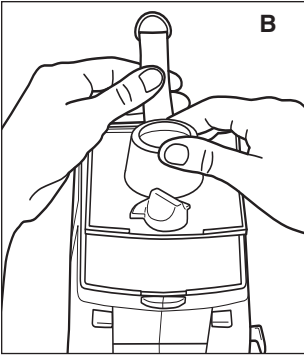
**Attach Caddy and Insert Tools**

Locate caddy clip indents at top rear corners of appliance. Place appliance on firm, non-slip surface or hold in your lap. Grasp handle firmly. Place end of caddy in outside indent then strongly push and pull other end of caddy into opposite indent. Be sure rims on caddy openings face up. Avoid trapping fingers when caddy snaps on; painful pinch could result.



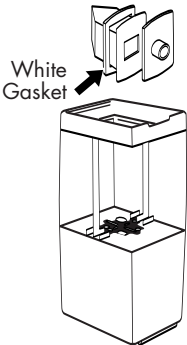
**CHANGING THE FILTER BAG**

**A.** Use only genuine ORECK XL filter bags. Stand unit on its back. Holding strap away from door, twist knob counterclockwise to release and lift out front plate. **B.**



**C.** Remove used bag and insert fresh bag. The cardboard rim fits smoothly into the recessed top. Replace the front plate and close unit by turning knob clockwise.

THE WHITE BAG GASKET GLUED IN THE HOUSING MUST BE IN PLACE OR UNIT WILL NOT OPERATE PROPERLY. REPLACE IF NEEDED.



## REPLACING MICRO FILTER

Stand unit on its back.

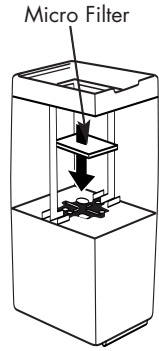
Twist knob and lift out front plate.

Remove disposable bag.

Remove old filter from bottom inside unit.

Replace with new filter.

A replacement filter is supplied in each package of 12 ORECK XL filter bags or you may order filters separately.



## Maintenance and Customer Service

Your ORECK COMPACT CANISTER VACUUM is a product of precise engineering. The motor bearings are permanently lubricated and should not be oiled. If you require additional information or have problems with your ORECK appliance, you may call ORECK customer service.

In USA 1-800-989-3535

In Canada 1-888-676-7325

Please specify the model number and serial/code number which can be found on the data plate on the back of the vacuum.

Save your sales or purchase slip. Should your ORECK appliance require warranty service in the U.S.A., present this slip to the Authorized Service Center as your proof of purchase date, or, in Canada, call customer service.

## Troubleshooting Guide

Problems	Possible Source	Areas to Check
<b>Cleaner Will Not Run</b>	1. Not plugged in properly  2. No electricity in wall outlet.  3. Motor protector tripped.  4. Needs service.	1. Be sure cleaner is firmly plugged into wall outlet.  2. Check electrical source—fuse or circuit breaker.  3. See “Motor Protection System” page 1.  4. Take to service center or call for nearest service center.
<b>Vacuum Will Not Pick Up Or Has Low Suction</b>	1. Filter bag is full.  2. Hose/wand tool is clogged.  3. Air leak due to missing or damaged gasket.	1. Replace filter bag. See “Changing the Filter Bag,” page 5.  2. Remove obstructions.  3. Replace gasket. See page 6.
<b>Tools/Wands Will Not Stay Together</b>	1. Proper friction fit not being obtained.	1. Push and turn.

**ALL OTHER SERVICING SHOULD BE DONE BY AN ORECK AUTHORIZED SERVICE CENTER.**

### ACCESSORIES SOLD SEPARATELY

To order call:

US: 1-800-989-3535

CANADA: 1-888-676-7325

Replacement Treated  
Filter Bags (12 pk. with  
1 Micro Filter)

**No. PKBB12DW**

Replacement  
Micro Filter

**No. 72005-01**

Replacement White  
Bag Gasket

**No. 72017-02**

Vinyl Tool Rack

**No. CADDYBB**

Oreck Fresh Air® Tabs

**No. AIRTABS**

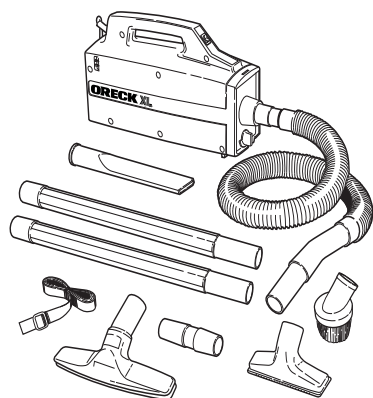


**ORECK<sup>®</sup> XL**

**SIMPLY AMAZING<sup>®</sup>**

**GUIDE D'UTILISATION**

F R A N Ç A I S



**NOIR AVEC DES ROUES**

**• IMPORTANTE •**  
**CONSERVEZ CE**  
**FASCICULE**

**Comprend:**

Avertissements de sécurité

Garantie

Nomenclature

Mode d'emploi

Entretien

Guide de dépannage

Accessoires

**AVANT D'UTILISER  
 L'ASPIRATEUR, LIRE  
 ATTENTIVEMENT TOUTES LES  
 INSTRUCTIONS DE CE MANUEL.**

**Table des matières**

Protections . . . . . page 8  
 Consignes de sécurité  
 importantes . . . . . page 9  
 Garantie . . . . . page 10  
 Nomenclature accessoire . . page 11  
 Mode d'emploi . . . . . page 12  
 Assemblage, Entretien . . . . page 13  
 Entretien et service  
 à la clientèle . . . . . page 14  
 Guide de dépannage,  
 Accessoires . . . . . page 15

**Protections**



**AVERTISSEMENT : Avant  
 d'exécuter cette  
 opération, débranchez  
 le cordon d'alimentation  
 de la prise murale.**

- **IMPORTANT:** S'assurer que le sac filtrant soit en place. Ne pas utiliser l'aspirateur sans le sac filtrant. Le moteur pourrait s'en trouver détrioré.
- S'assurer que le joint du sac soit en place. Si le joint de sac blanc est abîmé ou perdu, le remplacer sans attendre.
- Pour obtenir de meilleurs résultats, changer régulièrement le sac filtrant jetable même s'il n'est pas complètement plein. Un sac extrêmement sale ou presque plein affecte l'aspiration de l'appareil et peuvent faire surchauffer le moteur et donc l'abîmer. Il est conseillé de changer le sac filtrant tous les 30 jours même s'il n'est pas plein.
- Ne pas aspirer de matériaux humides ni liquides.
- Nettoyer l'aspirateur avec un chiffon humide (pas mouillé) dans la cavité du sac jetable et sur l'extérieur du traneau.

- **IMPORTANT:** Ne pas enlever la partie mobile de retenue de la saleté à l'avant. Afin d'obtenir les meilleurs résultats de nettoyage et que l'aspirateur fonctionne normalement, elle doit rester en position.
- **SYSTÈME DE PROTECTION DU MOTEUR :** Lorsque des particules fines comme la suie, le ciment, la poussière de plâtre, la poudre de photocopieur, etc... sont aspirés, la surface du sac risque de se boucher et entraîne l'extinction du moteur pour éviter sa surchauffe. Dans ce cas, débranchez l'aspirateur et débranchez-le. Remplacez le sac de filtration, vérifiez que le tuyau et les accessoires ne sont pas bouchés. Environ 30 minutes plus tard, le moteur aura suffisamment refroidi et l'aspirateur est prêt à fonctionner à nouveau.

N.B.: L'aspirateur doit rester débranché pendant 30 minutes pour que le moteur puisse refroidir et le système se remettre à zéro.

## CONSIGNES DE SÉCURITÉ IMPORTANTES

Lorsque vous utilisez un appareil électroménager, vous devez toujours prendre certaines précautions de base, y compris les suivantes:

**Lire toutes les instructions avant d'utiliser cet aspirateur**



### AVERTISSEMENT

**Pour réduire les risques d'incendie, d'électrocution et de blessure:**

- Ne jamais laisser l'appareil branché sans surveillance. L'appareil doit être débranché après chaque utilisation et avant toute réparation.
- Ne jamais utiliser à l'extérieur ou sur une surface humide.
- Ne doit pas servir de jouet. Une surveillance attentive est nécessaire lorsque l'appareil est utilisé par ou à proximité d'un enfant.

- Utilisez uniquement selon les instructions figurant dans ce manuel. Utilisez uniquement les accessoires recommandés par le fabricant.
- Ne jamais utiliser si le cordon d'alimentation ou la fiche de connexion sont endommagés. Si l'appareil ne fonctionne pas normalement, s'il a été échappé, s'il a été endommagé, s'il a été laissé à l'extérieur ou s'il est tombé dans l'eau, il faut le retourner à un centre de service après-vente ou appeler le service à la clientèle.  
Commercial 1-800-989-3535  
Canada 1-888-676-7325
- Ne jamais tirer ou transporter l'appareil par le cordon d'alimentation, ni utiliser le cordon en guise de poignée, ni fermer une porte sur le cordon, ni tirer le cordon autour d'un coin à angle pointu. Garder le cordon à l'écart des surfaces chaudes.
- Ne pas faire avancer l'appareil sur le cordon.
- Ne jamais débrancher l'appareil en tirant sur le cordon. Pour débrancher, saisir la fiche et non le cordon.
- Ne jamais manipuler la fiche de connexion et l'appareil avec les mains humides.
- Ne jamais insérer d'objet dans les ouvertures. Ne pas utiliser si des ouvertures sont bloquées. Elles doivent être exemptes de poussière, de charpie, de cheveux et de toute autre substance pouvant réduire le débit d'air.
- Garder les cheveux, les vêtements amples, les doigts et toutes les parties du corps à bonne distance des ouvertures et des pièces mobiles.
- Ne jamais utiliser pour ramasser des substances chaudes ou fumantes, comme des cigarettes, des allumettes ou des cendres chaudes.
- Ne jamais utiliser sans sac filtrant.

- Avant de débrancher, arrêter toutes les commandes.
- Redoubler de prudence lors du nettoyage d'escaliers.
- Ne jamais utiliser pour ramasser des liquides inflammables ou combustibles, comme de l'essence à moteur ou à briquet.
- Ne jamais utiliser l'appareil dans un espace clos où se dégage des vapeurs inflammables, explosives ou toxiques provenant d'une peinture à l'huile, d'un diluant à peinture, de substances antimites, ni dans un espace où il y a des poussières inflammables.
- Cet appareil ne doit jamais servir à ramasser des substances toxiques comme la Javel, les produits de débouchage, l'essence, etc.

## CONSERVER CES INSTRUCTIONS

### Usage Ménager Uniquement

#### Avis de fiche polarisée

Ce produit est équipé d'une fiche polarisée à courant alternatif (avec une patte plus large que l'autre). Cette fiche ne peut être insérée dans une prise électrique que dans un seul sens. Il s'agit d'un dispositif de sécurité. Si vous n'arrivez pas à insérer complètement la fiche dans un sens, essayez de la retourner. Si la fiche n'entre toujours pas, demandez à un électricien de remplacer votre ancienne prise. Ne tentez pas d'altérer la fiche polarisée.

### Garantie

ORECK MANUFACTURING COMPANY : (La société ORECK vous offre avec ce produit la garantie limitée suivante, uniquement s'il a été acheté auprès de la société ORECK ou d'un revendeur autorisé ORECK pour l'utiliser et non pour le revendre.)

La société ORECK offre à l'acheteur original du produit de réparer ou

remplacer sans frais toute pièce s'avérant présenter un défaut de matériau ou de main-d'œuvre dans un délai de trois (3) ans après la date d'achat, le boîtier étant quant à lui garanti dix (10) ans. Cette garantie limitée est valable pour un usage domestique normal. La garantie limitée pour usage commercial de ce produit est de 1 an.

Les pièces sujettes à une usure normale ne sont pas couvertes par cette garantie limitée.

Les courroies d'entraînement, les balais rotatifs, les ampoules électriques, les sacs jetables et les autres pièces sujettes à l'usure ne sont pas couvertes par cette garantie limitée.

Cette garantie limitée ne couvre pas les pièces victimes d'un accident, d'un usage abusif, à l'utilisation commerciale d'abus, d'une modification, d'une mauvaise utilisation, de dommages causés par un incendie ou une catastrophe naturelle, ainsi que les appareils utilisés avec une tension électrique autre que celle indiquée sur leur plaque signalétique, ni les appareils réparés à l'extérieur de la société ORECK ou d'un centre de service après-vente ORECK.

La société ORECK n'autorise aucune personne et aucun représentant à accorder ou offrir d'autres clauses de garantie avec ce produit.

La garantie limitée ORECK est valable uniquement si vous conservez une preuve d'achat de la société ORECK ou d'un revendeur autorisé ORECK. Si vous achetez ce produit ailleurs, vous l'achetez «en l'état», ce qui signifie que la société ORECK ne vous accorde alors aucune garantie. Dans ce cas, vous assumez tout le risque relatif à la qualité et aux performances de ce produit, ce qui comprend tous les frais de réparation et de correction d'éventuels défauts.

La responsabilité de la société ORECK pour d'éventuels dommages subis par vous ou relativement aux frais qui découlent de cet énoncé de garantie limitée ne peut dépasser le montant payé pour ce produit lors de son achat original. La société ORECK ne peut être tenue responsable de tout dommage direct ou indirect relatif à l'utilisation ou à l'incapacité d'utiliser ce produit.

Puisque certains États ou provinces interdisent l'exclusion ou la restriction des dommages indirects, il est possible que l'exclusion ou la restriction ci-dessus ne s'applique pas à vous.

Toute garantie expresse ou implicite relative à ce produit, y compris les garanties implicites de qualité commerciale ou de convenance à un usage quelconque, s'applique pendant une durée équivalente à la période de garantie et aucune garantie expresse ou implicite ne pourra s'appliquer après cette période.

Puisque certains États ou provinces ne permettent pas les restrictions sur la durée des garanties implicites, il est possible que la restriction ci-dessus ne s'applique pas à vous.

Cette garantie vous accorde des droits juridiques précis et il est également possible que vous ayez d'autres droits dépendant de votre lieu de résidence.

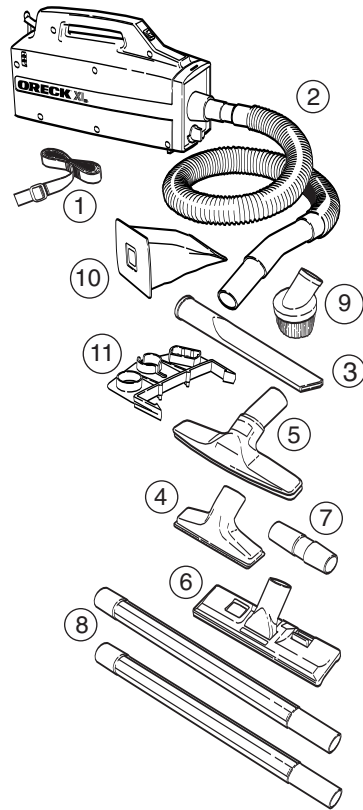
**Appelez le service  
téléphonique gratuit  
d'assistance à la clientèle  
US: 1-800-989-3535  
CANADA: 1-888-676-7325**

Lorsque vous téléphonez, n'oubliez pas de noter le numéro de modèle et le numéro de série de l'appareil, lesquels figurent sur sa plaque signalétique.

### Nomenclature accessoire

1. Bandoulière réglable.
2. Boyau flexible avec adaptateur intgr pour faciliter l'insertion dans le port de soufflante ou d'aspirateur.
3. Suceur plat.
4. Suceur pour tapisseries.
5. Suceur pour murs et sols nus. BB870-AW
6. Suceur pour murs et sols nus. BB870-AD\*
7. Tube adaptateur d'accessoire pour adapter les accessoires directement sur l'aspirateur lorsque le boyau nest pas utilis.
8. Deux raccords.

9. Brosse pousseter.
10. Deux sacs en papier filtrant.
11. Porte-accessoires intgr. BB870-AD\*\*



(Les pices peuvent varier de forme selon le modèle. Toutes les pices ne sont pas offertes sur tous les modèles.)

\* Propriétaires de BB870-AW: Le porte-accessoires intgr et le suceur noir de moquette/sol de luxe peuvent être achetés séparément.

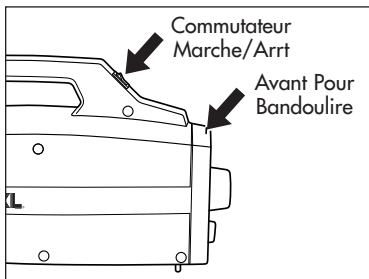
\*\* Le porte-accessoires équipé pas tous les modèles BB870-AD.

Pour commander de nouvelles pices ou de nouveaux accessoires, prière d'appeler le:  
US 1-800-989-3535  
CANADA 1-888-676-7325

## Mode d'emploi



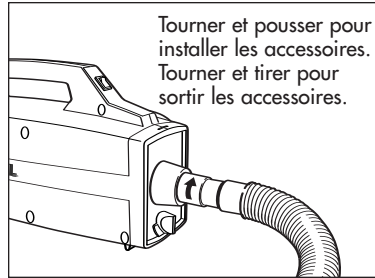
**IMPORTANT:** Ne pas enlever la partie mobile de retenue de la saleté à l'avant. Afin d'obtenir les meilleurs résultats de nettoyage et que l'aspirateur fonctionne normalement, elle doit rester en position.



### Bandoulière

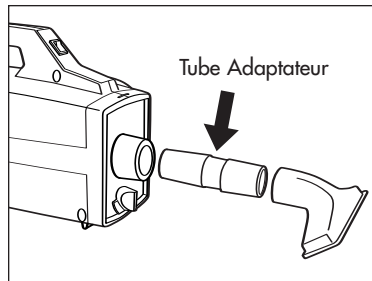
Insérer l'extrémité de la bandoulière dans la fente devant le commutateur marche-arrêt. Tirer 8-10 centimètres et insérer dans la pince en plastique. 2,5 cm de bandoulière doivent être complètement insérés dans la pince. Insérer l'autre extrémité de la bandoulière dans la fente au dos du manche. Insérer l'extrémité dans la pince et tirer. Régler la longueur en tirant la bandoulière dans la pince. La bandoulière doit passer dans les pinces avant et arrière.

**IMPORTANT:** Avant d'utiliser la bandoulière, tirer sur les deux extrémités pour s'assurer de la fermeté de la fixation.



### Installation d'accessoire et boyau

Le tuyau flexible utilise un système de blocage Shurlok® qui l'empêche de se déboîter involontairement. Pour installer le tuyau, alignez l'ouverture en "J" dans le raccord de tuyau avec le loquet dans l'orifice d'aspiration. Insérez le tuyau dans l'orifice. Tournez la bague en vissant pour bloquer le raccord de tuyau sur l'orifice. Pour enlever le tuyau, tournez en dévissant et tirez.



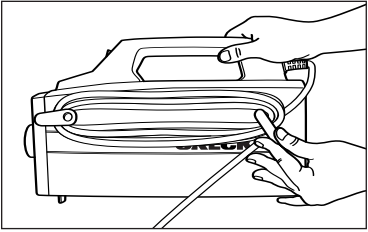
Le tube d'extension réglable et les outils de nettoyage fournis avec votre aspirateur compact Oreck XL se montent ensemble par friction. Tournez et enfoncez les outils fermement à l'installation. Tournez-les et tirez-les pour les enlever. Quand vous installez les outils directement sur l'orifice d'aspiration ou de soufflage sans utiliser le tuyau, il faut utiliser le tube d'adaptation d'outil.

Pour régler le tube d'extension, appuyez sur le bouton de déblocage et sortez le tube intérieur de la longueur voulue. Le tube va se bloquer quand vous relâchez ce bouton.



### Port de soufflante

Le port de soufflante se trouve l'arrière de l'appareil. L'installation des accessoires se fait de la même manière que pour le port d'aspiration.



### Rangement du cordon

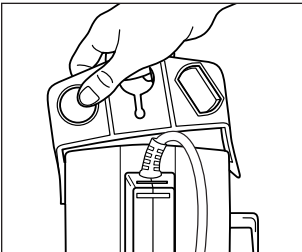
Tourner le casier de rangement pour sortir facilement le fil rangé.

### Brancher le cordon dans une prise électrique.

### Commutateur

Pousser le commutateur sur la position ON (marche) (1).

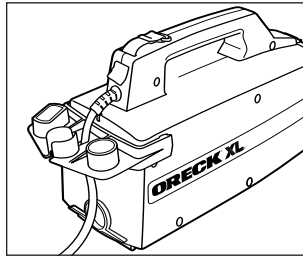
## Assemblage



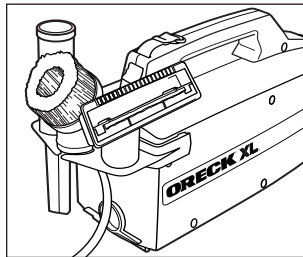
### Fixer le porte-accessoires et insérer les accessoires

Identifier les encoches de pince de porte-accessoires aux coins arrière supérieurs de l'appareil.

Placer l'appareil sur une surface ferme non glissante ou le tenir sur les genoux. Saisir fermement le manche. Placer l'extrémité du porte-accessoires dans l'encoche extérieure puis pousser fermement et tirer l'autre extrémité du porte-accessoires dans l'encoche opposée. S'assurer que les bords du porte-accessoires soient orientés vers le haut. Viter de se faire coincer les doigts lors de l'emboîtement du porte-accessoires ; un pincement douloureux pourrait en résulter. Si le porte-accessoires doit être déposé, celui-ci peut être soigneusement carté au niveau de l'encoche en insérant un grand tournevis lame plate sous la pince de porte-accessoires.

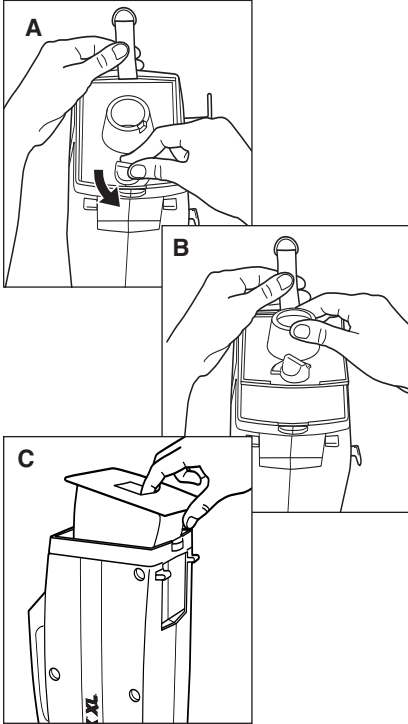


Tirer le cordon dans l'ouverture centrale du porte-accessoires et pousser jusqu'à ce qu'il soit positionné l'arrière de la fente l'arrière de l'ouverture centrale du porte-accessoires.



Insérer le suceur plat, la brosse et le suceur pour tapisserie dans le porte-accessoires aux emplacements correspondants.

## Entretien

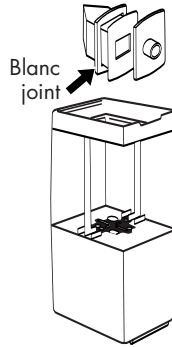


### CHANGEMENT DE SAC FILTRANT

**A.** N'utiliser que des sacs filtrants Oreck XL. Placer l'appareil sur le dos. Tourner le bouton dans le sens inverse des aiguilles d'une montre pour relâcher et soulever la plaque avant. **B.**

**C.** Retirer le sac usagé et insérer un sac neuf. La bordure en carton tient parfaitement dans le dessus encastré.

Remettre la plaque avant en place et fermer l'équipement en tournant le bouton dans le sens des aiguilles d'une montre.



LE JOINT DE SAC BLANC COLLÉ DANS LE BOTIER DOIT ÊTRE EN PLACE SINON L'APPAREIL NE POURRA PAS FONCTIONNER CORRECTEMENT. LE REMPLACER SI NÉCESSAIRE

### Remplacement du micro filtre

Placer l'appareil sur le dos.

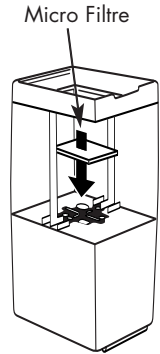
Tourner le bouton et soulever la plaque avant.

Retirer le sac jetable.

Retirer l'ancien filtre du fond de l'appareil.

Remplacer par un filtre neuf.

Un filtre de rechange est fourni dans chaque paquet de 12 sacs filtrants Oreck XL ou vous pouvez commander les filtres Sparment.



## Entretien et service à la clientèle

L'aspirateur tranéau compact Oreck est le fruit d'études précises. Les paliers du moteur sont lubrifiés de façon permanente et ne doivent pas être huilés. Si vous avez besoin d'informations supplémentaires ou si vous avez des problèmes avec votre appareil ORECK, vous pouvez appeler le service à la clientèle ORECK au:

USA 1-800-989-3535

Canada 1-888-676-7325

Veuillez indiquer le numéro de modèle et le numéro de série/code apparaissant sur la plaque signalétique derrière l'aspirateur.

Conservez votre reçu de vente ou de caisse. Si votre appareil ORECK a un jour besoin d'une réparation sous garantie aux États-Unis, présentez ce coupon au centre autorisé de service après-vente comme preuve d'achat datée. Au Canada, appelez le service à la clientèle.

## Guide de dépannage

PROBLÈME	CAUSE POSSIBLE	VÉRIFICATIONS
<b>L'aspirateur ne fonctionne pas</b>	<ol style="list-style-type: none"> <li>1. Mal branch</li> <li>2. Pas d'électricité dans la prise murale.</li> <li>3. Protection du moteur déclanche.</li> <li>4. Besoin d'être réparé.</li> </ol>	<ol style="list-style-type: none"> <li>1. S'assurer que l'aspirateur soit fermement branché dans une prise murale.</li> <li>2. Vérifier le fusible ou le disjoncteur de la source électrique.</li> <li>3. Voir le Système de protection du moteur la page 9.</li> <li>4. Ramener au centre de réparation ou appeler pour connaître le centre d'entretien le plus proche.</li> </ol>
<b>L'aspirateur n'aspire pas ou n'aspire que faiblement</b>	<ol style="list-style-type: none"> <li>1. Le sac filtrant est plein.</li> <li>2. Boyau/raccord bouché</li> <li>3. Fuite d'air en raison d'un joint défectueux ou manquant</li> </ol>	<ol style="list-style-type: none"> <li>1. Remplacer le sac filtrant. Voir Remplacer le sac filtrant, page 14.</li> <li>2. Déboucher</li> <li>3. Remplacer le joint. Voir page 14.</li> </ol>
<b>Les accessoires et les raccords ne restent pas solidaires</b>	<ol style="list-style-type: none"> <li>1. Pas de bon raccord par friction</li> </ol>	<ol style="list-style-type: none"> <li>1. Pousser et tourner.</li> </ol>

**TOUTES LES AUTRES RÉPARATIONS DOIVENT ÊTRE FAITES DANS UN CENTRE DE RÉPARATION AUTORISÉ.**

### ACCESSOIRES VENDU SÉPARÉMENT

Pour commander de nouvelles pièces ou de nouveaux accessoires, prière d'appeler le:  
 US 1-800-989-3535  
 CANADA 1-888-676-7325

Sacs filtrants traités de recharge (paquet de 12 avec 1 micro filtre) **rf PKBB12DW**

Micro filtre de recharge **rf 72005-01**

Joint de sac blanc de recharge **rf 72017-02**

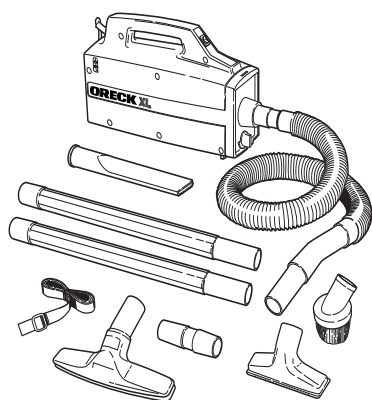
Porte-accessoires en vinyle **rf CADDYBB**

Languettes d'air frais **rf AIRTABS**



**ORECK<sup>®</sup> XL****SIMPLY AMAZING<sup>®</sup>****GUIA DEL USUARIO**

E S P A Ñ O L

**ASPIRADORAS COMPACTAS**

**• IMPORTANTE •**  
**¡GUARDE ESTE FOLLETO!**

**Incluye:**

Advertencias de seguridad  
 Garantía  
 Lista de piezas  
 Instrucciones de operación  
 Mantenimiento  
 Diagnóstico de problemas  
 Accesorios

**ANTES DE OPERAR LA  
 ASPIRADORA, LEA CON CUIDADO  
 TODAS LAS INSTRUCCIONES  
 INCLUIDAS EN ESTE MANUAL.**

**Índice**

Información de seguridad, . . . página 16  
 Instrucciones importantes . . . página 17  
 Garantía . . . . . página 18  
 Lista de accesorios . . . . . página 19  
 Instrucciones de operación . . . página 20  
 Ensamblaje . . . . . página 21  
 Mantenimiento,  
 Mantenimiento y servi-  
 cio a clientes . . . . . página 22  
 Guía para identificación  
 de problemas, Accesorios . . . página 23

**Información de  
 seguridad****ADVERTENCIA:**

**Desconecte el cordón de la toma eléctrica antes de dar servicio.**

- **IMPORTANTE:** Asegurarse que la bolsa de filtro está colocada. No usar la aspiradora sin la bolsa de filtro. Se puede dañar el motor.
- Asegurarse que la empaquetadura de la bolsa está colocada. Si la empaquetadura blanca está dañada o se perdió, colocar una nueva inmediatamente.
- Para obtener mejores resultados, cambiar la bolsa de filtro desechable regularmente incluso si no está totalmente llena. Una bolsa muy sucia o una casi llena afectará la fuerza de aspiración y puede causar el calentamiento excesivo del motor y dañarlo. Una buena medida es cambiar la bolsa de filtro cada 30 días aunque no esté totalmente llena.
- No aspirar material húmedo ni líquidos.
- Limpiar la aspiradora con un paño húmedo (pero no mojado) en la cavidad de la bolsa desechable y el exterior del aparato.

- **IMPORTANTE:** No retire el faldón de retención de suciedad que se encuentra sujeto a la parte trasera de la placa frontal. Debe estar colocado para que la máquina funcione correctamente y asegurar la eficacia de la limpieza.
- **SISTEMA DE PROTECCION DEL MOTOR:** Cuando se recogen o aspiran materiales finos como hollín, cemento, polvo de yeso, polvo de máquinas copiadoras, etc., la superficie de la bolsa puede obturarse y el motor se apagará para evitar el recalentamiento. Si esto sucede, apague el interruptor y desenchufe la aspiradora. Cambie la bolsa de filtro, verifique si hay atascos en la manguera o en los accesorios y despijelas. Después de unos 30 minutos aproximadamente, el motor se habrá enfriado y la aspiradora estará lista para usarse.

**NOTA:** La aspiradora debe permanecer desenchufada durante 30 minutos para que el motor se enfríe y el sistema de reposición.

## INSTRUCCIONES IMPORTANTES DE SEGURIDAD

Cuando utilice un aparato eléctrico, siempre debe seguir precauciones básicas, incluyendo las siguientes:

**Lire toutes les instructions  
avant d'utiliser cet  
aspirateur**



### ADVERTENCIA

**Para reducir el riesgo  
de incendio, descarga  
eléctrica o lesiones:**

- No deje el aparato sin atender cuando esté conectado. Desconéctelo de la toma de corriente cuando no esté en uso y antes de darle servicio.
- No la use en exteriores ni en superficies mojadas.
- No permita que se use como juguete. Es necesario poner mucha atención cuando la usen

los niños o cuando se use cerca de ellos.

- Usela solamente como se describe en este manual. Utilice solamente los aditamentos recomendados por el fabricante.
- No la use con el cordón o clavija dañados. Si la aspiradora no funciona como debería, si se ha caído, dañado, dejado en exteriores, o dejado caer en agua, envíela a un centro de servicio o llame a un servicio a clientes al:  
Commercial 1-800-989-3535  
Canada 1-888-676-7325
- No tire de ella ni la mueva por el cordón, ni use el cordón como asa, no cierre la puerta sobre el cordón, ni jale el cordón alrededor de bordes o esquinas afiladas. Mantenga el cordón lejos de las superficies calientes.
- No opere el aparato sobre el cordón.
- No lo desconecte jalando el cordón. Para desconectarlo, tome la clavija, no el cordón.
- No manipule la clavija ni el aparato con las manos mojadas.
- No ponga objetos pesados en las aberturas. No lo use con alguna abertura bloqueada; manténgalo libre de polvo, pelusa, cabello y cualquier cosa que pueda reducir el flujo de aire.
- Mantenga el cabello, ropa suelta, dedos y todas las partes del cuerpo lejos de las aberturas y partes móviles.
- No la use para que aspire cualquier cosa que se esté quemando o arrojando humo, como cigarrillos, cerillos o cenizas calientes.
- Apague todos los controles antes de desconectarla.
- Tenga cuidado especial cuando limpie alguna escalera.

- No la use para aspirar líquidos inflamables o combustibles, como gasolina o líquido para encendedores, ni la use en áreas donde puedan estar presentes.
- No use el aparato en espacios cerrados donde puedan emanarse vapores inflamables, explosivos o tóxicos por pintura a base de aceite, adelgazador de pintura, algunas sustancias a prueba de moho, o en un área donde haya presente polvo inflamable.
- No aspire con este aparato material tóxico como blanqueador con cloro, limpiador de drenajes, gasolina, etc

## GUARDE ESTAS INSTRUCCIONES

### Sólo para uso casero

#### Aviso de la clavija polarizada

Este producto viene equipado con una clavija polarizada para línea de corriente alterna (una clavija que tiene una espiga más ancha que la otra). Esta clavija solamente se ajusta de una sola manera en la toma de corriente. Esta es una característica de seguridad. Si no puede insertar la clavija completamente en la toma de corriente, intente invirtiendo la clavija. Si todavía no puede insertarla, llame a un electricista para que reemplace la toma de corriente obsoleta. No le quite el propósito a la clavija polarizada.

### Garantie

ORECK MANUFACTURING COMPANY: (ORECK le ofrece la siguiente garantía limitada para este producto solamente si se compró originalmente para usarse, no para revenderse, de ORECK o de un distribuidor minorista autorizado por ORECK.)

ORECK reparará o reemplazará, sin cargo, al comprador original, cualquier

parte que se encuentre como defectuosa en material o mano de obra durante tres (3) años a partir de la fecha de compra y diez (10) años en el bastidor. Cualquier uso comercial de este producto anulará esta garantía limitada. Las piezas sujetas a desgaste normal no están cubiertas por esta garantía limitada. Las correas de impulsión, cepillos revolventes, bombillas, bolsas desechables y otras piezas sujetas al desgaste normal no se cubren con esta garantía limitada.

Esta garantía limitada no aplica para cualquier parte sujeta a accidente, abuso, al uso comercial del abuso, alteración, uso indebido, daños provocados por incendio o causas de fuerza mayor, uso de voltajes diferentes a los indicados en la placa del número de serie de este producto, o el servicio de este producto por alguien que no forme parte de ORECK o de un centro de servicio autorizado de fábrica de ORECK.

La garantía limitada de ORECK no autoriza a cualquier persona o representante a asumir u otorgar cualquier otra obligación de garantía con la venta de este producto.

La garantía limitada de ORECK es válida solamente si mantiene su comprobante de compra para este producto de ORECK o de un distribuidor minorista autorizado por ORECK. Si compra este producto de cualquier otra fuente, su compra es "TAL CUAL", lo que significa que ORECK no le otorga garantía alguna, y que usted, no ORECK asume el riesgo total de la calidad y el desempeño de este producto, incluyendo el costo total de cualquier servicio o reparaciones necesarias de cualquier defecto.

La responsabilidad por daños de ORECK para usted por cualquier costo que surja por esta declaración de garantía limitada se limitará al monto pagado por este producto al momento de la compra original, y ORECK no será responsable de cualquier daño directo, indirecto, consecutivo o incidental que surja por el uso o incapacidad de uso de este producto.

Algunos estados no permiten la exclusión o la limitación de daños incidentales o

consecuenciales, así que la limitación o exclusión anterior puede no aplicar para usted.

TODAS LAS GARANTÍAS expresas e implícitas para este producto, incluyendo las garantías implícitas de capacidad de comercialización y aptitud para un propósito en particular, están limitadas en duración al periodo de la garantía, y no aplicarán ninguna garantía, expresa o implícita, después de este periodo.

Algunos estados no permiten las limitaciones en la duración de las garantías implícitas, así que la limitación anterior puede no aplicar para usted.

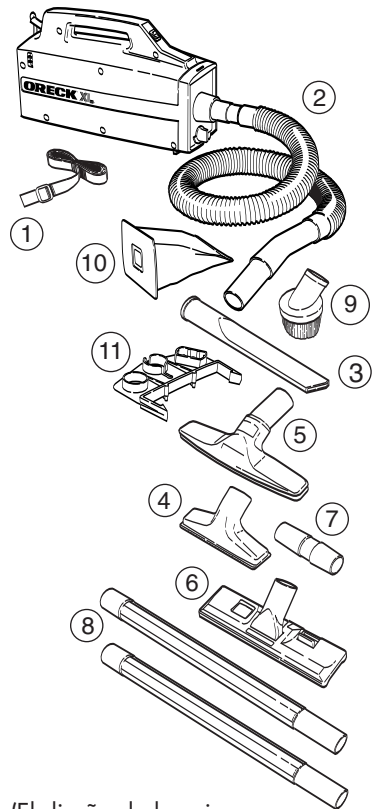
Esta garantía le concede derechos legales específicos, y puede también tener otros derechos que varían de estado a estado.

**Appelez le service  
téléphonique gratuit  
d'assistance à la clientèle  
US: 1-800-989-3535  
CANADA: 1-888-676-7325**

Lorsque vous téléphonez, n'oubliez pas de noter le numéro de modèle et le numéro de série de l'appareil, lesquels figurent sur sa plaque signalétique.

**Lista de accesorios**

1. Correa ajustable para colgar del hombro.
2. Manguera flexible con adaptador incorporado para fácil inserción en la boca de aspiración o soplado.
3. Boquilla para hendiduras.
4. Accesorio para telas.
5. Accesorio para paredes y pisos desnudos. BB870-AW\*
6. Accesorio para paredes y pisos desnudos. BB870-AD, BB870-AS\*
7. Tubo adaptador para encajar los accesorios directamente a la aspiradora cuando no se usa la manguera.
8. Dos tubos de extensión.
9. Cepillo para polvo.
10. Dos bolsas de filtro de papel.
11. Porta accesorios en la máquina. BB870AD\*\*



(El diseño de las piezas varía de acuerdo con el modelo. No todas las piezas están disponibles en todos los modelos.)

\* Dueños de BB870.AW: El porta accesorios en la máquina y el accesorio negro para pisos/ alfombras de lujo puede comprarse por separado.

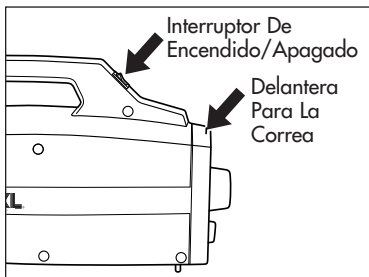
\*\* Porta accesorios no está incluido en todos los modelos BB870-AD

Para pedir piezas nuevas o accesorios, llamar al:  
US 1-800-989-3535  
CANADA 1-888-676-7325

## Instrucciones de operación



**IMPORTANTE:** No retire el faldón de retención de suciedad que se encuentra sujeto a la parte trasera de la placa frontal. Debe estar colocado para que la máquina funcione correctamente y asegurar la eficacia de la limpieza.

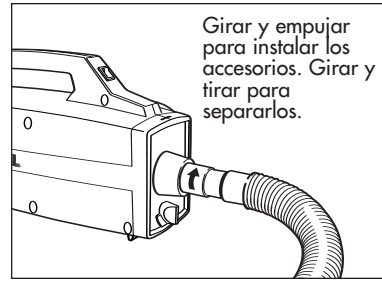


### Correa para hombro

Insertar el extremo de la correa en la ranura que se encuentra delante del interruptor de encender /apagar. Tirar de la correa hasta que hayan pasado unas tres o cuatro pulgadas e insertarla en la presilla de plástico. Una pulgada de correa debe atravesar totalmente la presilla. Insertar el otro extremo de la correa a través de la ranura ubicada en la parte trasera del mango. Insertar el extremo en la presilla y tirar de la correa para atravesarla. Ajusta la longitud tirando de la correa a través de la presilla. La correa debe pasar por las presillas delantera y trasera.

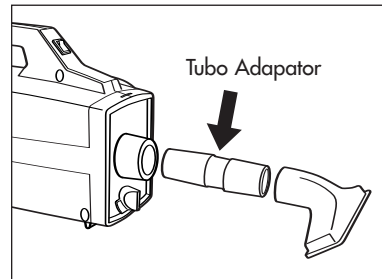
**IMPORTANTE:** Antes de usar la correa para hombro, tirar de ambos extremos para asegurarse que está firme.

## Instalación de la manguera y accesorios



Girar y empujar para instalar los accesorios. Girar y tirar para separarlos.

La manguera flexible tiene un sistema de fijación Shurlok® que impide el retiro de la manguera a menos que se desee hacerlo. Para instalar la manguera, alinee la ranura "J" en el acople de la manguera con la lengüeta dentro de la boca de aspiración. Inserte la manguera en la boca. Gire el collar en sentido de las agujas del reloj para trabar el acople de la manguera en las boca. Gire en sentido contrario a las agujas del reloj y tire para desconectar la manguera.



El tubo de extensión ajustable y los accesorios de limpieza suministrados con su aspiradora compacta Oreck XL se traban juntos por fricción. Gire y empuje para asegurarse que quedan bien trabados una vez instalados. Gire y tire para desconectarlos.

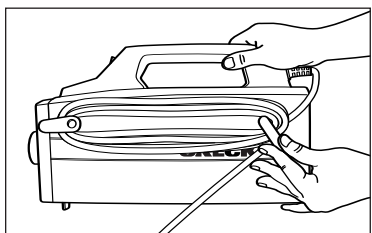
Cunado conecte los accesorios directamente a la boca de aspiración o de soplado sin usar la manguera, deberá instalar el tubo adaptador de accesorios.

Para ajustar el tubo extensión, oprima el botón soltador y tire del tubo interior hasta dejarlo del largo deseado. El tubo se trabará al soltar el botón. Para acortarlo, oprima el botón soltador y empuje el tubo interior.



### Boca de soplado

La boca de soplado se encuentra en la parte trasera de la máquina. La instalación de los accesorios es igual que la descrita para la boca de aspiración.



### Descargador del cordón

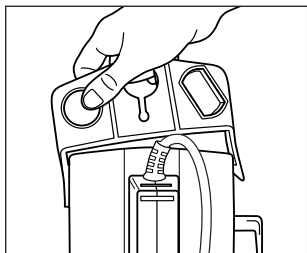
Girar el descargador para soltar fácilmente el cordón.

### Enchufar el cordón en el tomacorriente.

### Interruptor eléctrico

Empujarlo a la posición "ENCENDIDO" (I).

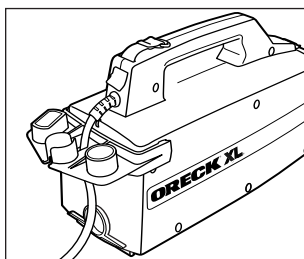
## Ensamblaje



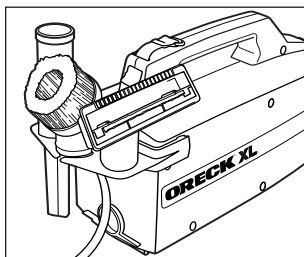
### Instalación del portaaccesorios e inserción de los accesorios

En las esquinas superiores traseras de la aspiradora, ubicar las muescas para las grapas del portaaccesorios.

Colocar la aspiradora sobre una superficie firme y antideslizante o sostenerla en el regazo. Tomar firmemente el mango. Colocar el extremo del portaaccesorios en la muesca exterior y luego empujar y tirar con fuerza el otro extremo del portaaccesorios dentro de la muesca opuesta. Asegurarse que los rebordes en las aberturas del portaaccesorios queden hacia arriba. Evitar que los dedos queden atrapados al encajar el portaaccesorios; se puede causar un apriete doloroso. En el caso de ser necesario retirar el portaaccesorios, insertar un destornillador grande plano debajo de la grapa del portaaccesorios en la muesca y apalancar cuidadosamente hasta soltarlo.

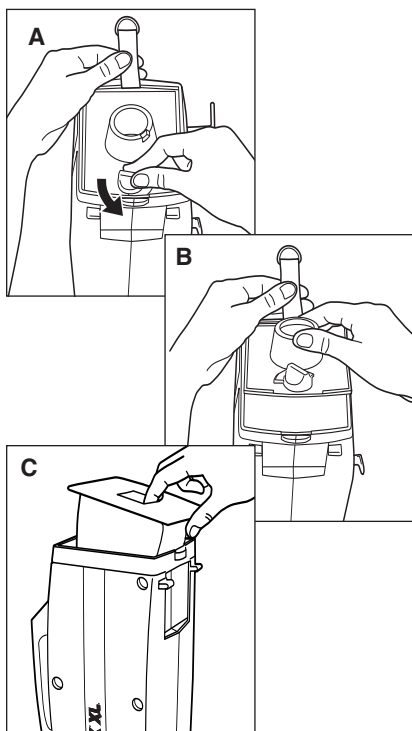


Pasar el cordón eléctrico por la abertura central del portaaccesorios y empujarlo hasta que quede asentado en la parte trasera de la ranura ubicada en la parte trasera de la abertura central.



Insertar la boquilla para hendiduras, el cepillo y el accesorio para telas en el portaaccesorios en los espacios provistos.

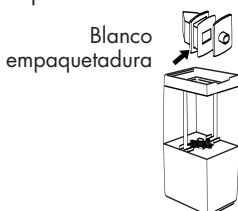
## Mantenimiento



### CAMBIO DE LA BOLSA DE FILTRO

**A.** Usar solamente bolsas de filtro ORECK XL genuinas. Apoye la aspiradora sobre la parte trasera. Sujete el tirante lejos de la puerta, gire la perilla en sentido contrario a las agujas del reloj para soltar y levantar la placa delantera. **B.**

**C.** Retirar la bolsa vieja e insertar una nueva. El aro de cartón encaja suavemente en la parte superior rebajada. Volver a colocar la placa frontal y cerrar la máquina girando la perilla en sentido de las manecillas del reloj.



LA EMPAQUETADURA BLANCA DE LA BOLSA PEGADA A LA CAJA DEBE ESTAR EN SU LUGAR PARA QUE LA ASPIRADORA FUNCIONE CORRECTAMENTE. CAMBIARLA DE SER NECESARIO.

### REEMPLAZO DEL MICROFILTRO

Apoyar la máquina en su parte trasera.

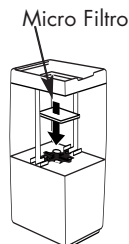
Girar la perilla y levantar la placa frontal.

Retirar la bolsa desechable.

Retirar el filtro viejo de la unidad inferior interior.

Reemplazarlo con un filtro nuevo.

En cada paquete de 12 bolsas de filtro Oreck XL se incluye un filtro de repuesto. También se pueden pedir filtros por separado.



## Mantenimiento y servicio a clientes

Su aspiradora compacta Oreck es un producto construido con precisión. Los cojinetes del motor están lubricados permanentemente y no debe ponerles aceite. Si requiere información adicional o si tiene problemas con su aparato ORECK, puede llamar al servicio a clientes de ORECK al:

USA 1-800-989-3535

Canada 1-888-676-7325

Por favor especifique el número de modelo y el número de serie/código, el cual se puede encontrar en la placa de datos en la parte posterior de la aspiradora.

Guarde su recibo de ventas o de compra. En caso que su aparato ORECK necesitara servicio de garantía en los EE. UU., presente este recibo en el centro de servicio autorizado como su comprobante de fecha de compra, o en Canadá, llame a servicio a clientes.

## Guía para identificación de problemas

PROBLEMA	POSIBLE CAUSA	AREAS A VERIFICAR
<b>La aspiradora no funciona</b>	<ol style="list-style-type: none"> <li>1. Está mal enchufada.</li> <li>2. No hay electricidad en el tomacorriente.</li> <li>3. El protector del motor se activó.</li> <li>4. Necesita servicio.</li> </ol>	<ol style="list-style-type: none"> <li>1. Asegurarse de enchufar firmemente la aspiradora al tomacorriente en la pared.</li> <li>2. Revisar el fusible o interruptor automático en el tablero de energía eléctrica.</li> <li>3. Ver la sección Sistema de protección del motor en la página 17.</li> <li>4. Llevarla o llamar al centro de servicio más cercano.</li> </ol>
<b>La aspiradora no aspira o tiene poca fuerza de aspiración</b>	<ol style="list-style-type: none"> <li>1. La bolsa de filtro está llena.</li> <li>2. Manguera/tubo de extensión está obturado.</li> <li>3. Escape de aire debido a que falta la empaquetadura o está dañada.</li> </ol>	<ol style="list-style-type: none"> <li>1. Cambiar la bolsa. Ver "Para cambiar la bolsa de filtro," en la página 22.</li> <li>2. Quitar las obstrucciones.</li> <li>3. Cambiar la empaquetadura. Ver la página 22.</li> </ol>
<b>Accesorios/tubos de extensión no se mantienen conectados</b>	<ol style="list-style-type: none"> <li>1. No se obtiene buen ajuste por fricción.</li> </ol>	<ol style="list-style-type: none"> <li>1. Empujar y girar los tubos o accesorios.</li> </ol>

**TOUTES LES AUTRES RÉPARATIONS DOIVENT ÊTRE FAITES DANS UN CENTRE DE RÉPARATION AUTORISÉ.**

### ACCESORIOS VENDIDOS POR SEPARADO

Para pedir piezas nuevas o accesorios, llamar al:

**US: 1-800-989-3535**

**CANADA: 1-888-676-7325**

Bolsas de filtro tratadas de repuesto (pqte. de 12 con 1 microfiltro)

**No. PKBB12DW**

Microfiltro de repuesto

**No. 72005-01**

Empaquetadura blanca de repuesto para bolsa

**No. 72017-02**

Parrilla de vinilo para accesorios

**No. CADDYBB**

Tabletas aromatizantes ambientales

**No. AIRTABS**