



# SEBO ET-H Power Head

---



ENGLISH

**For Household Use Only**

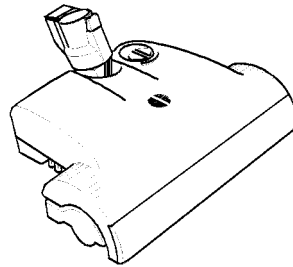
© Copyright SEBO America, LLC • All rights reserved.



# SEBO ET-H Power Head Owner's Manual

## Table of Contents

Technical Details.....	2
Important Safety Instructions .....	3
Special SEBO Product Features .....	4
Identification of Parts .....	5
Attaching the Power Head to the Telescopic Tube .....	5
Operating Instructions .....	6
Starting the Machine .....	6
Operating the Machine .....	6
The Brush Pressure Adjustment Feature .....	7
Indicator Lights .....	7
Maintenance .....	8
Changing the Brush Rollers .....	8
Cleaning the Brush Rollers.....	8
Clog Removal .....	8
Clogs in the Airflow Pathway.....	8
Clogs in the Swivel Neck.....	8
Trouble-Shooting Guide.....	9
ET-H Power Head Schematic and Part Numbers .....	10
Recommended SEBO <i>duo</i> Carpet Cleaning System.....	11
Warranty .....	12
How To Contact SEBO.....	12



## Technical Details

Brush motor	150 Watts, 1.4 Amps
Width	11.7 in.
Weight	4.6 lbs.
Brush width	11.4 in.
Brush roller	Replaceable
Brush drive	Toothed belt with electronic overload protection



# IMPORTANT SAFETY INSTRUCTIONS

*READ ALL INSTRUCTIONS BEFORE USING THIS MACHINE*

## **SAVE THESE INSTRUCTIONS.**

### **WARNING: To reduce the risk of fire, electric shock, or injury:**

1. Do not leave vacuum while plugged in. Unplug from outlet when not in use and before servicing.
2. Do not use outdoors or on wet surfaces.
3. Do not use near small children or pets. Do not allow to be used as a toy. Use of this product by children should always be supervised by an adult.
4. Use only as described in this manual. Use only manufacturer-recommended attachments.
5. Do not use with a damaged cord or plug. If vacuum is not working as it should, has been dropped, damaged, left out-doors, or dropped into water, take it to a SEBO service center.
6. Do not pull or carry by cord, use cord as a handle, close a door on cord, or pull cord around sharp edges or corners. Do not run vacuum over cord. Keep cord away from heated surfaces.
7. Do not unplug by pulling on cord. To unplug, grasp the plug – not the cord.
8. Do not plug in if switch is in the “I” (ON) position.
9. Do not use outlets above counters to plug in vacuum – damage to items in the surrounding area could occur.
10. Always carry the vacuum over steps and sills.
11. Do not handle plug or vacuum handle with wet hands.
12. Do not put any object into vacuum openings. Do not use machine with any openings blocked. Keep openings free of lint, hair, and anything that may reduce air flow.
13. Do not re-use filter (dust) bags or wash the filters.
14. Do not remove any screws from vacuum.
15. Do not vacuum up anything that is burning or smoking, such as cigarettes, matches, or hot ashes.
16. Do not use vacuum without dust bag and/or filters in place.
17. Turn off all machine controls before unplugging.
18. Use extra care when cleaning on stairs.
19. Do not use machine to vacuum up flammable or combustible liquids such as gasoline or use in areas where they may be present.
20. Machines can cause a fire when operated near flammable vapors or materials. Do not operate this vacuum near flammable fluids, dust or vapors.
21. Maintenance and repairs must be done by qualified personnel.
22. Use only original SEBO replacement parts.
23. Do not use vacuum as a step.
24. Do not leave machine standing in one place with machine turned on.
25. While the vacuum is in use, the power cord should be unwound from the cable reel at least two thirds of its length. Hold plug when rewinding onto the cord reel. Do not allow plug to whip while rewinding.
26. Keep hair, loose clothing, fingers, and all parts of body away from vacuum openings and moving parts. Do not place fingers or other body parts under vacuum unless it is unplugged.
27. Do not place the power head over rug edges or fringe.
28. The vacuum has a manual reset thermal protector. The protector is reset by switching off the vacuum. The thermal protector needs some time to cool down after switching off! Check the vacuum for air blockages or mechanical failures before switching on.
29. Store the vacuum in a dry place at room temperature. When the vacuum is not in use, the cord should be wound on the cord reel.
30. Any other servicing should be performed by an authorized service representative.
31. The hose contains electrical wires. Do not use if damaged, cut, or punctured. Avoid picking up sharp objects.
32. Always unplug vacuum before connecting or disconnecting either hose or power head.
33. Use this power head only in combination with a SEBO vacuum cleaner.
34. Do not connect power head to a malfunctioning or damaged vacuum.



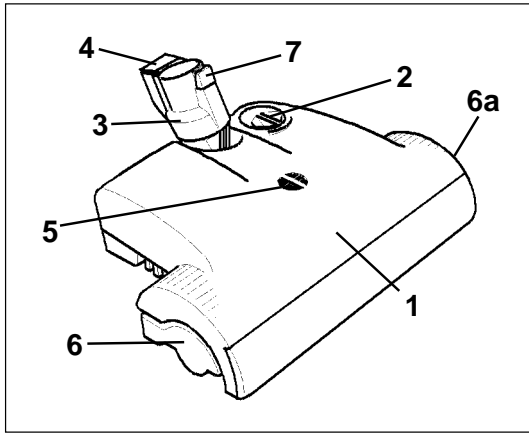
# SPECIAL SEBO PRODUCT FEATURES

---

Your SEBO ET-H Power Head is designed specifically for use with the SEBO C3.1 and K3 canister vacuum cleaners. These vacuums are among the most technically advanced canister vacuum cleaners in the world. For example, the ET-H Power Head has warning systems and automatic shut-off capabilities that are designed to alert the user to machine problems that, if ignored, will damage the machine or diminish performance.

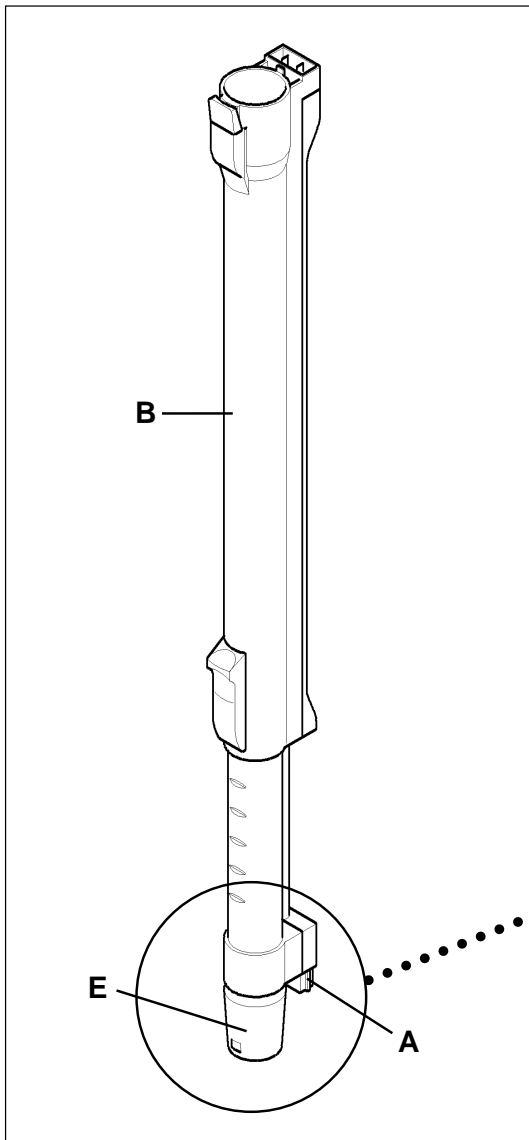
Your SEBO ET-H Power Head's most unique features are:

1. **Deep Cleaning.** SEBO power heads offer deep cleaning of your carpets only a thorough brushing can give.
2. **Variable Height Adjustment.** The unique pivoting brush roller housing allows the ET-H Power Head to adjust its brush height to different types of carpeting.
3. **Brush Pressure Adjustment.** The ET-H power head allows the user to determine the appropriate brush aggressiveness by adjusting the brush pressure adjustment dial on top of the power head to either soft or hard. Adjusting the brush pressure to HARD increases aggressiveness by making the brush bristles spin deeper in the carpet pile. Aggressiveness is decreased by adjusting the pressure dial to SOFT.
4. **Brush Roller Obstruction – Auto Shut-Off.** If the brush roller is obstructed, the machine will shut off in three seconds, the amber light located on top of the power head will illuminate, and the brush rollers will stop rotating. The user should turn the power switch off, unplug the machine, and immediately remove the obstruction. If the user restarts the machine without removing the obstruction, the machine will again shut off and the amber light will turn on.
5. **Stationary Use.** When the machine has its handle in the upright-locked position, it is designed to shut off the brush roller. The green "power" light situated on top of the power head will remain illuminated even though the brush roller has stopped rotating. An operating power head should not stand stationary on the floor for inappropriate periods of time.



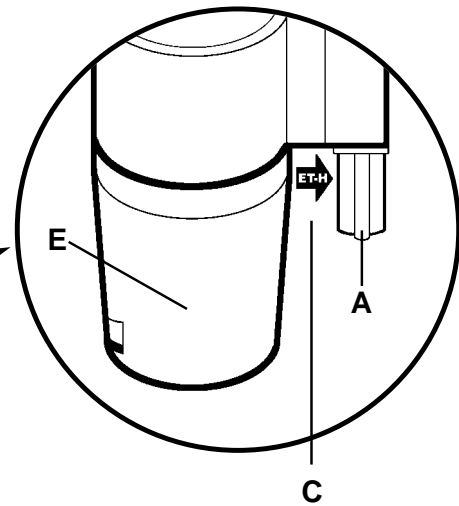
## Identification of Parts

1. Power head
2. Brush pressure adjustment
3. Swivel neck
4. Connection plug
5. Indicator lights
6. Brush roller end cap
- 6a. Edge-cleaning brush roller end cap
7. Telescopic Tube release button



## Attaching the Power Head to the Telescopic Tube of your SEBO C3.1 or K3 Vacuum

1. Find the connection tab (A) at the base of the telescopic tube (B).
2. Move the connection tab (A) OUT away from the tube (C). See enlarged detail below. It will only move approximately 1/8-inch. NOTE: the tab must not be forced beyond the "flush" position of the collar. Proceed to step 3.
3. Insert the base of the telescopic tube (E) into the power head swivel neck (3). Make sure that the connection tab (A) is properly aligned with the connection plug (4) in the swivel neck. Damage to the connection may occur if the tab and the plug are not properly aligned.



# Operating Instructions

## Starting The Machine - Figures 1 & 2

A. Before turning on your canister, make sure that the vacuum handle is in its upright locked position (figure 1).

1. With the canister main power switch in the OFF position, and the power control slider on the handle (#8, figure 2) in the OFF position, pull the power cord out from the base of the canister (see canister owner's manual). The power cord should be unwound from the cable reel at least two thirds of its length.
2. Plug the polarized power cord into a 120 volt outlet located near the floor.
3. Press the main power switch on the base of the canister gently with your foot or hand to the ON position.
4. Slide the Power Control Slider (#8, figure 2) to the ON position (the slider will "click" when it is pushed out of the OFF position). It will then slide freely between 0 suction and MAX suction. Set the slider to the suction desired. The green power light situated on the top side of the power head will illuminate.

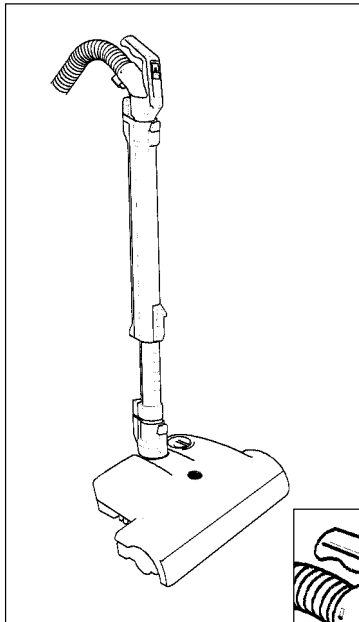


Figure 1

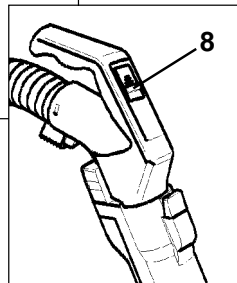


Figure 2

Switch Position -  
#8, Figure 2

0 = Zero Suction  
MAX = Maximum Suction

**ON position** - Slide the slider down toward 0 suction till it "clicks" out of position.

**OFF position** - Pull the slider up to 0 suction then continue pulling the slider up until it "clicks" into the OFF position.

## Operating The Machine - Figure 3

B. When the power head is switched on with the handle in the upright locked position (see figure 1 above), the brush roller will not spin. To release the power head from the upright locked position, gently place your foot on the power head for leverage and lower the handle into the operating position (figure 3). The brush roller will then start spinning. The amber indicator light may flicker for a few seconds when you lower the handle - this is normal.

The handle can be lowered to a horizontal position useful for vacuuming under beds.

You may adjust the suction control with the power control slider as you vacuum different surfaces or when using the accessory tools. For optimal cleaning and brushing, operate the machine at the maximum suction power setting and push the power head slowly over the carpet.

When the canister's main power switch is in the ON position, you may turn the power head off and on with the power control slider (#8, figure 2). To turn the power head off using the power control slider, pull the slider to 0 suction, then continue pulling the slider up until it "clicks" into the OFF position. The green power head light will then shut off.

**Always turn the power off on both the canister and the power head when changing heads or unplugging the vacuum.** Slide the power control slider on the power head to its OFF position, press the main power switch on the base of the canister gently with your foot or hand, then unplug the canister to completely shut down the power when changing heads or storing the vacuum. Hold the plug while rewinding the cord onto the cord reel. Avoid letting the plug whip while rewinding.



Figure 3



**WARNING!** The quality, condition, coating, texture, age and manufacturing technique of all floor surfaces vary. Therefore, vacuums with rotating brushes, including your SEBO, may damage some floor coverings or surfaces. Some types of high-gloss hardwood floors, cushion vinyl, berber carpets, long shag, and delicate or hand-woven carpets are particularly vulnerable to damage by rotating brushes. When possible, consult the materials supplied by your flooring manufacturer for information on proper upkeep and cleaning. **To ensure that your new SEBO vacuum cleaner is compatible with your floor, please test the vacuum cleaner on each type of flooring surface in a small inconspicuous area to determine if any damage occurs. If damage occurs, stop using the vacuum cleaner immediately!**

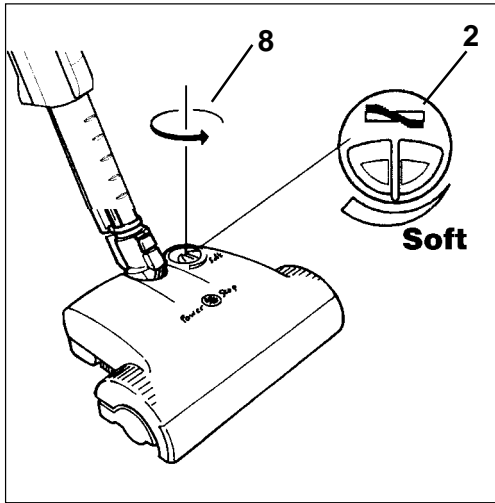


Figure 4

## The Brush Pressure Adjustment Feature -

Figure 4

The brushing pressure that your ET-H power head applies to your carpet is adjustable from SOFT through HARD. When the brush is set on SOFT, the brush pressure is decreased for a lighter brushing action. For thorough, deep brushing, set the pressure adjustment to HARD.

The brush pressure adjustment dial is located on the top side of the power head (# 2, figure 4). To adjust the dial to SOFT, spin the dial in the direction of the arrow (#8, figure 4). To adjust the brush action to HARD, turn the dial in the opposite direction of the arrow (#8, figure 4).

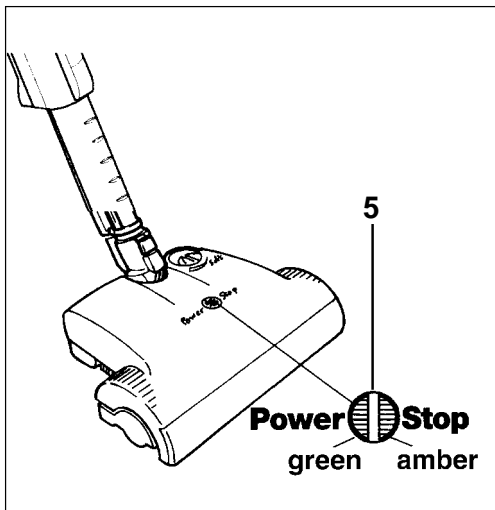


Figure 5

## Indicator Lights - Figure 5

The green and amber indicator lights are located on the top of the power head (# 5, figure 5).

Green Light:

Motor is on, power head is ready for operation. The green light remains illuminated when the handle is in the upright locked position and when it is lowered to its operating position. However, the green light will shut off when the power control slider located on the handle is in the OFF position.

Amber Light Flashing:

Motor is on, brush is adjusting to carpet pile.

Green and Amber Lights:

Motor shuts down, brush stops spinning - indicates a shut down due to overload, clog or jammed brush roller.

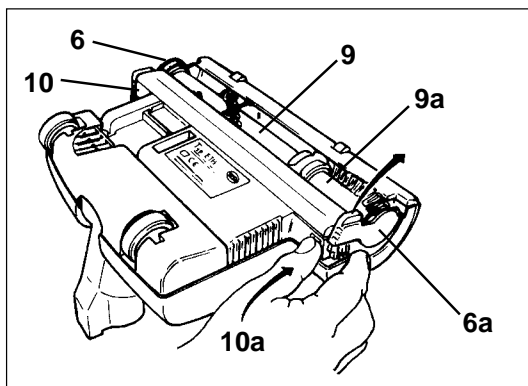


Figure 6

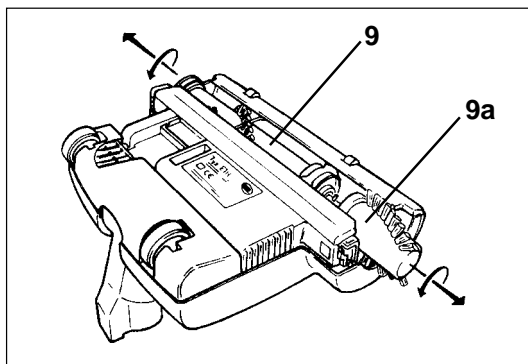


Figure 7

8" Replacement Brush  
Part # 2754

Replacement Edge-Cleaning Brush  
Part # 2756

Complete Replacement Brush Set  
Part # 2758 ER

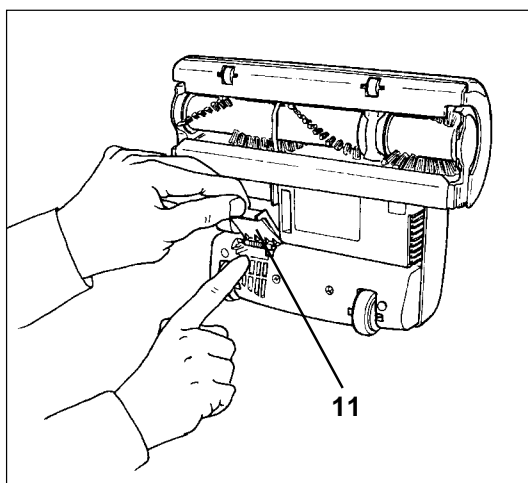


Figure 8

## Maintenance



**Always unplug vacuum from outlet before dismantling any part of machine!**

### Changing the Brush Rollers - Figures 6 & 7

To change the brush roller (#9, figure 6) or the edge-cleaning brush roller (#9a, figure 6), release the end caps (6 and 6a, figure 6) by pushing the button (#10 for the brush roller, #10a for the edge-cleaning brush). Rotate the end caps in the direction of the arrows and pull them off. Turn the 8" brush roller clockwise and the edge-cleaning roller counter-clockwise (figure 7) when removing them from the power head. You may also reference the arrows on the ends of the brushes which indicate the direction to turn the brushes to remove and replace them.

To insert the new brush or brushes, fit them onto the drive shafts by turning them clockwise until they lock into position. Replace the end caps by turning them until they click into position. Make sure not to squeeze the bristles of the brushes under the end caps.

### Cleaning the Brush Rollers

**Unplug the vacuum before attempting to clean the brushes.** The brushes should be cleaned regularly.

Fibers and hair can be pulled out of the brushes while manually rotating the rollers, or the rollers can be removed from the power head to clean them.

## Clog Removal



**Always unplug vacuum from outlet before removing any clogs!**

### Clogs in the Airflow Pathway - Figure 8

Many clogs can be removed by accessing the airflow pathway via the orange colored access door (#11, figure 8) located on the underside of the power head.

### Clogs in the Swivel Neck

Check the swivel neck regularly for blockages. Do not open the machine. To check for a clog in the swivel neck (#3, page 5), remove the telescopic tube by pressing the release button (#7, page 5). Pull the tube out of the swivel neck. Push the obstruction down the neck with a stick or long screwdriver and remove it through the orange access door (#11, figure 8).

For clogs not in the power head, please refer to your canister vacuum's manual.



## Trouble-Shooting Guide



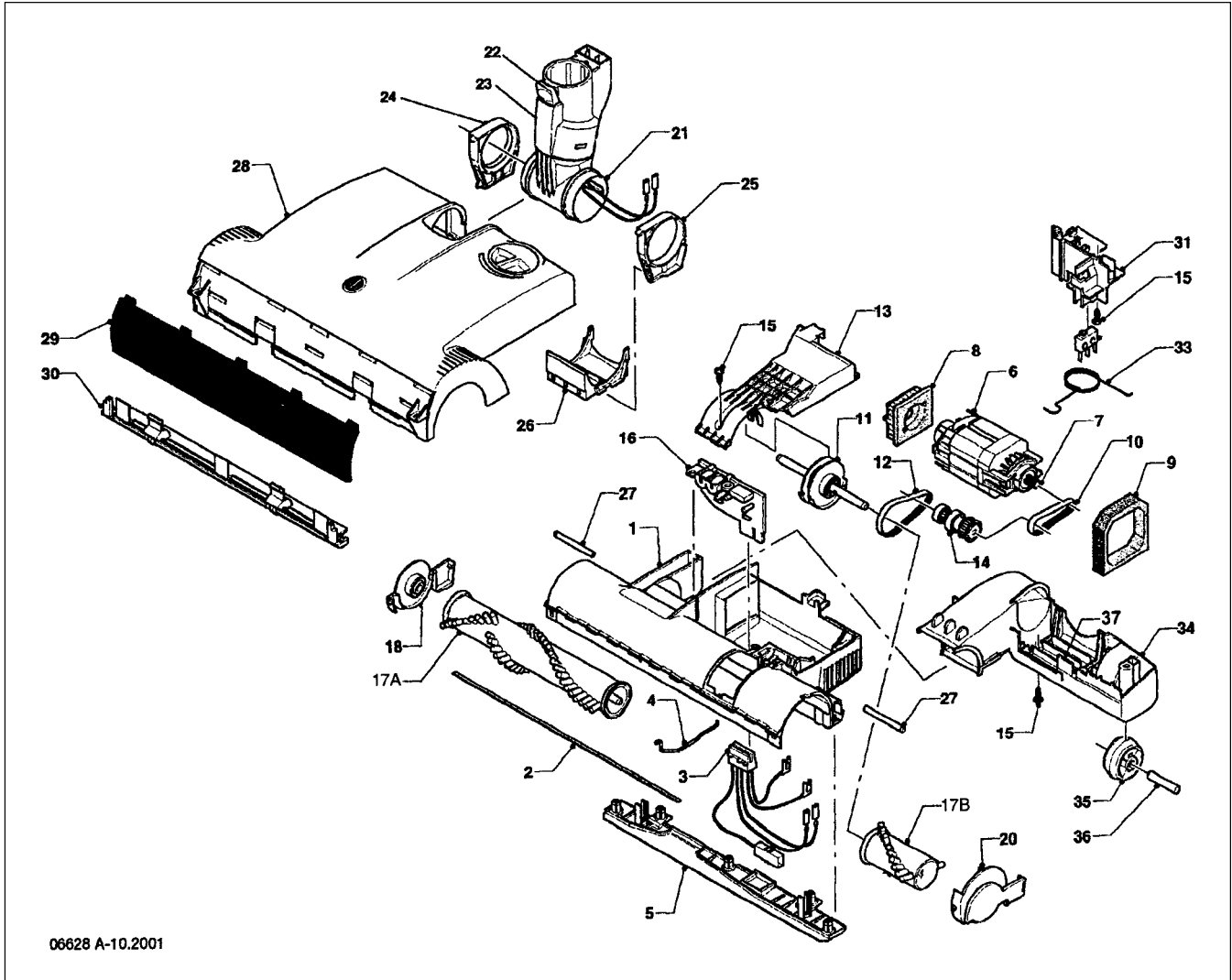
**Always unplug vacuum from outlet before dismantling any part of the machine!**

PROBLEM	REASON	SOLUTION
<b>Does not turn on</b>	1. Telescopic tube not inserted properly.	1. See page 5.
	2. Not plugged into good outlet.	2. Use another outlet.
	3. Cable worn.	3. Replace cable.
	4. The power control slider switch is set to "0" ("off" position).	4. Slide the power control slider switch to "on" position.
<b>Green and amber lights are on &amp; machine shuts off - brush stops spinning</b>	1. Jammed brush roller.	1. Remove brush roller obstruction. See page 8.
	2. Clog in airflow pathway or swivel neck.	2. Remove clog. See page 8.
	3. Overload shut down from excessively deep but loose carpet pile (e.g., long shag carpet).	3. If carpet pile is too deep and loose, then use a "shag rake" attachment instead of the ET-H power head.
<b>Amber light flashing</b>	1. Brush is adjusting to carpet pile.	1. Ignore
<b>Does not pick up</b>	1. Telescopic tube tube not inserted properly.	1. See page 5.
Check your C3.1 or K3 canister user's manual for more trouble-shooting problems and solutions.		



# SEBO ET-H Power Head

## Schematic and Parts List



06628 A-10.2001

Pos.	Part #	Description
1	2701 DG	Chassis
2	2708	Sealing strip
3	2729 UL	Internal cable
4	2707	Wire tie
5	2704 DG	Rear bottom plate, cpl.
6	2730	Brush motor 120 V 150 W
7	2733	Motor pulley
8	2735	Motor support
9	2737	Motor gasket
10	2749	Drive belt, motor
11	2753	Brush drive unit
12	2750	Drive belt, brush
13	2702 DG	Motor cover
14	2736	Transmission shaft, cpl.
15	0102	Screw F 3.9 x 13
16	2791 AM	Printed circuit board
17	2758 ER	Brush roller set
17A	2754	8" Roller
17B	2756	Edge brush
18	2751 DG	Bearing block right hand
20	2752 DG	Brush cover, cpl.
21	2770 UL	Swivel neck assembly
22	1737 DG	Release button
	1739	Leaf spring
23	2775 DG	Cap
24	2771 HG	Swivel neck support r.h.
25	2772 HG	Swivel neck support l.h.
26	2779 DG	Stop spring
27	2706	Swivel axle
28	2710 GW	Power head cover
29	2716 DG	Bumper
30	2714 DG	Front bottom plate, cpl.
31	2764 UL	Spring bracket / switch cpl.
33	2762	Adjustment spring
34	2709 DG	Wheel housing
35	2608 DG	Wheel
36	2720	Wheel axle
37	2721 OR	Access Door



# SEBO *duo-P* Cleaning System

## Deep clean your carpet with the SEBO *duo* Brush Machine and SEBO *duo-P* Powder



**The *duo-P* Cleaning Powder:**  
Refill boxes are available as a single (1.1 lb.) or a multiple with five (1.1 lb each) packs. Each single pack can cover up to 250 square feet of carpet.

The SEBO *duo* Carpet Cleaning System is formulated to deep clean your entire carpet or spot clean stubborn stains without soaking your carpet. Dry cleaning is safer for most carpets – it will not shrink the carpet or cause water staining if applied unevenly. SEBO *duo-P* Cleaning Powder leaves no detergent residue to cause your carpet to resoil, and the carpet can be used immediately after cleaning.

Because this is a DRY cleaning process, the SEBO *duo-P* Cleaning Powder will not promote the growth of mold and fungus in your carpet and pad that wet extraction systems may cause. In addition, the GAF allergy research center in Germany found in a long term test that, six months after a single cleaning with *duo-P*, seven out of ten carpets remained free of dust mite allergens.

### ***The Advantages of using the SEBO *duo* Cleaning System are:***

- No detergent residue
- No shrinkage or mildew
- Alleviates house dust allergies
- No need to move furniture
- Easy spot cleaning
- Cleans most types of carpets
- A built-in fiber protector helps
- Immediate use of the carpet to protect your carpet against future stains and soil

### ***How it Works:***

The SEBO *duo-P* Cleaning Powder is made up of granules that are moistened with detergent and is environmentally friendly and safe to use. When the granules are worked into the carpet fiber, soil and stains are lifted out of the carpet by the *duo-P* powder. The *duo* Brush Machine lifts the carpet pile ensuring all surfaces of the fiber are cleaned, leaving your carpet revived and softer. After vacuuming, the *duo-P* powder is removed, and your carpet is left clean, dry and ready for use.

### ***Deep clean your carpet in three easy steps:***



The SEBO *duo-P* Clean Box contains a 1.1 lb. pack in an environmentally friendly refillable container, and the underside of the lid has a built-in brush for spot cleaning!



Spot clean small areas or stubborn stains.



1. Spread *duo-P* Cleaning Powder evenly over the carpet.
2. Work the powder into the carpet using the SEBO *duo* Brush Machine, which opens the carpet pile enabling the *duo-P* powder to clean around each separate fiber.
3. Once the *duo-P* powder has absorbed all of the dirt and the area is dry to the touch (approximately 30 minutes), simply vacuum the area thoroughly.



# SEBO Vacuum Cleaner Warranty

## Three Years Non-Wear Parts - One Year Labor

1. Your authorized SEBO dealer or SEBO will provide the original product purchaser with replacement of Non-Wear Parts which fail due to a material or workmanship defect for a period of three (3) years from the original date of purchase of new product.
2. Your authorized SEBO dealer or SEBO will repair (or SEBO will cover labor charges associated with repair) a defective SEBO power head at no cost to the original purchaser, within one (1) year of original purchase of new product.
3. SEBO America, Floor Care Equipment, Ltd., or an authorized SEBO dealer must complete all warranty repairs.
4. To locate an authorized SEBO dealer in your area, or to register a warranty claim in the **United States of America, please call SEBO America at (800) 334-6614.**
5. To locate an authorized SEBO dealer or to register a warranty claim in **Canada, please call Floor Care Equipment, Ltd. at (800) 661-8687.**
6. The warranties provided for above apply exclusively to SEBO power heads which are used residentially. No warranty is provided for SEBO power heads used commercially.
7. The Wear Parts excluded from warranty coverage include the brush rollers, the front bottom plate and the rear bottom plate.
8. This warranty applies only while your SEBO power head is physically located within the United States of America and its territories or Canada.
9. The purchase receipt showing the date, price, and item of purchase is the initial document of proof of purchase and determines the validity of warranty. To be certain that your warranty claim can be processed as quickly and efficiently as possible, please retain your original purchase receipt and mail in the warranty card provided with your new SEBO power head or vacuum cleaner.
10. This warranty gives you specific legal rights. You may also have other legal rights, which vary from state/province to state/province.
11. SEBO America will not process nor will it accept responsibility for warranty claims for machines purchased from dealers located in Canada. Floor Care Equipment, Ltd. will not process nor will it accept responsibility for warranty claims for machines purchased from dealers located in the United States.

### EXCLUSIVE REMEDY:

The remedies provided under the terms of this Warranty are the purchaser's exclusive remedies and are in lieu of any other remedies otherwise available.

#### THE WARRANTY DOES NOT COVER:

- Used or secondhand products.
- Products outside of the warranty period.
- Items not manufactured by SEBO.
- Normal maintenance service.
- Equipment damaged by improper use, accident, other casualty or negligence.
- Machines equipped with nonauthorized attachments or modifications.
- Machines on which the serial number has been altered or removed.

#### LIMITATIONS AND EXCLUSIONS:

SEBO MAKES NO OTHER REPRESENTATIONS OR WARRANTIES, EXPRESSED OR IMPLIED AND SPECIFICALLY EXCLUDES THE IMPLIED WARRANTIES OF MERCHANTABILITY AND FITNESS FOR A PARTICULAR PURPOSE.

SEBO WILL NOT BE LIABLE FOR INCIDENTAL OR CONSEQUENTIAL DAMAGES OF ANY KIND OR NATURE.

THIS DISCLAIMER OF IMPLIED WARRANTIES SHALL NOT APPLY TO THE EXTENT SAID DISCLAIMER IS NOT ALLOWED BY APPLICABLE STATE/PROVINCIAL LAW.

#### To contact SEBO in the United States of America:

SEBO America, LLC  
Telephone: (800) 334-6614 • (303) 792-9181  
Fax: (303) 792-9196  
E-mail: info@sebo-vacuums.com  
Website: www.sebo.us

#### To contact SEBO in Canada:

Floor Care Equipment, Ltd.  
Telephone: (800) 661-8687 • (403) 250-5005  
Fax: (403) 250-5057  
E-mail: fcequip@shaw.ca