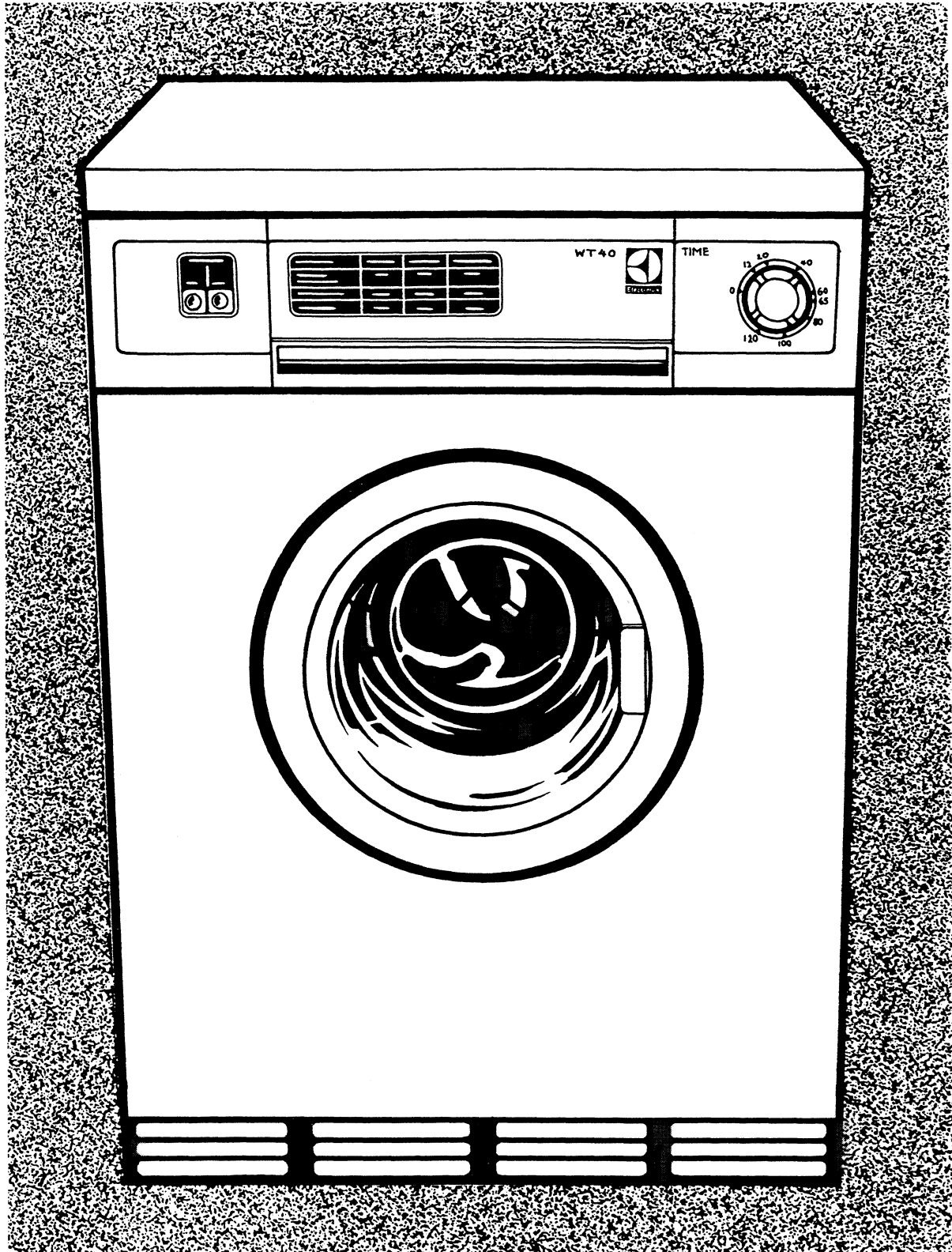


 **Electrolux WT40**

# **Tumble Dryer**



**INSTALLATION AND  
OPERATING INSTRUCTIONS**



Welcome to the family of Electrolux users. You are now the owner of an up-to-date automatic tumble dryer which will make every wash day a drying day as well – whatever the weather. You will find operating your Electrolux tumble dryer is simplicity itself. Just pop in the washing, select the programme and drying time which you need for a particular load, and your new Electrolux dryer will do the rest.

This booklet not only tells you how to install and operate your new Electrolux dryer, but it also contains a number of hints to ensure you obtain the best results. **PLEASE READ IT THROUGH CAREFULLY BEFORE USING YOUR TUMBLE DRYER FOR THE FIRST TIME.** Also included is a check list of what to do should a fault occur, plus a list of Electrolux Service Offices where service can be obtained if it is needed.

## Electrolux Cover for your machine

Your new tumble dryer is covered by a comprehensive guarantee (labour and parts) for one year and this is detailed at the back of this booklet. It is possible also for you to extend the cover on your machine by one of the following methods:-

**BONUS COVER:** With one modest payment you can extend the benefits of your Electrolux guarantee for a further four years. So, for a period of five years you need have little worry about breakdown or repair. Electrolux do not, however, accept liability for defects arising from normal wear or tear, neglect or accident.

A Bonus Cover leaflet is enclosed with your machine.

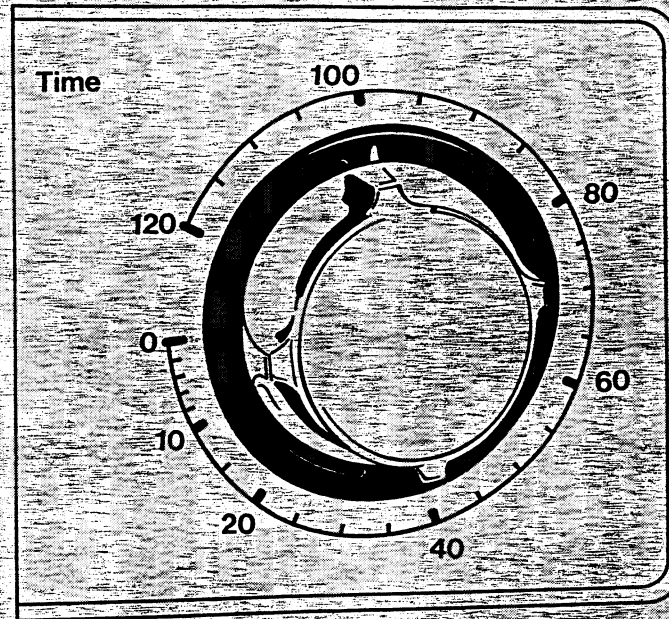
**ANNUAL MAINTENANCE AGREEMENT:** You may wish, however, to consider taking out a Guaranteed Maintenance Agreement when the guarantee has expired. Membership of this scheme means that, for an annual payment, should your machine break down or require attention, any necessary repairs (including parts and labour) will be covered without any additional cost. It is advisable to enter the scheme before your guarantee has expired. Membership is renewable on an annual basis and the scheme includes a free maintenance check by an Electrolux Service Engineer at the end of the contract year. Details of this scheme can be obtained from any Electrolux Regional Service Office.

Be sure to keep this booklet in a handy spot for future reference.

## Contents

Page.	
	<b>2. The advantages of tumble drying.</b>
	<b>2. Electrical information.</b>
	<b>2. Technical details.</b>
	<b>3. Installation.</b>
	<b>3. Before use.</b>
	<b>3. Getting to know your tumble dryer.</b>
	<b>4. Using your tumble dryer.</b>
	<b>5. Remember.</b>
	<b>5. Care and cleaning.</b>
	<b>6. Something wrong with your dryer?</b>
	<b>6. Optional extras.</b>
	<b>7. Electrolux Service Organisation</b>
	<b>7. Guarantee.</b>

## PLEASE NOTE



The illustration of the timer control shown in Fig.6 should have the minutes reading in an anti-clockwise direction (as shown above) rather than in a clockwise direction as shown in the booklet.

# The advantages of Tumble Drying

A tumble dryer gently tumbles the wet clothes in a current of warm air after they have been spun in a washing machine or spin dryer. Moisture is evaporated until the clothes are quite dry, much like a speeded up version of what happens outdoors in a fresh breeze on a fine sunny day, in a clean fresh atmosphere.

But a good tumble dryer, such as your Electrolux WT40, can do much more than this.

A good tumble dryer with reverse tumbling action reduces unwanted creases as it dries, creases that may have been put in during the spinning.

Drip-dry shirts dried in a dryer will be more crease free than the same shirts given the same wash treatment and hung up to dry. Most materials will benefit from this effect, including cottons and linens, synthetic materials and mixtures of both.

In some cases the need to iron will be eliminated, but it is important in order to achieve the maximum benefit that you should not overload the dryer. It is better to dry two small loads rather than one large load if crease removal is important. This will use slightly more electricity in drying than one large load, but will save on ironing. If you must iron then the maximum loadings given in the instructions will give the greatest efficiency in use of electricity.

Towels will be soft and bulky after drying in a tumble dryer, nappies will be soft and fluffy (unlike the same articles which tend to be flattened and stiff when dried statically). Garments may be quickly aired after storage to remove creasing, or warmed before use.

And, of course, you no longer need worry about the weather.

## Technical Details

### Dimensions

Height:	33½ in (850 mm)
Width:	23¼ in (590 mm)
Depth:	23¾ in (600 mm)
Depth (with door open):	38 ¾ in (970 mm)
Weight:	88 lb (40 kg)

### Electrical

Voltage:	240V a.c.
Max input:	2,900 Watts
Motor rating:	200 Watts
Heater rating:	2,700 Watts

### Capacity

Max. load (Cotton):	9 lb (4 kg)
(Synthetics):	6½ lb (3 kg) – standard.
(Synthetics):	3½ lb (1½ kg) – for min. creasing.

### Tumble speed

50 rev/min. with reversing action approximately every minute.

## Electrical Information

**WARNING: This appliance must be earthed.** This machine is designed to operate on a 240V a.c. mains supply. Connection to the electrical supply should be made by a 3-pin 13 amp or 3-pin 15 amp plug. If a BS 1363 3-pin 13 amp fused plug and socket are used, the plug should be fitted with a 13 amp fuse. If a 15 amp plug and socket are used, this should be protected by a 15 amp fuse either in the plug or at the distribution board fuse box.

**IMPORTANT.** The wires in the mains lead of this appliance are coloured in accordance with the following code:-

**GREEN-AND-YELLOW: EARTH.**  
**BLUE: NEUTRAL. BROWN: LIVE.**

As the colours of the wires in the mains lead of this appliance may not correspond with the coloured markings identifying the terminals in your plug, proceed as follows:-

The wire which is coloured green-and-yellow must be connected to the terminal in the plug which is marked with the letter E or by the earth symbol  $\equiv$  or coloured green or green-and-yellow.

The wire which is coloured blue must be connected to the terminal which is marked with the letter N or coloured black.

The wire which is coloured brown must be connected to the terminal which is marked with the letter L or coloured red.

When stacked on a washing machine, both dryer and washer may be used at the same time, but note that the electrical loading of each means that they require separate socket outlets and must not be used from multiple outlet adaptors.

**Make sure your plug and socket are in good condition.**

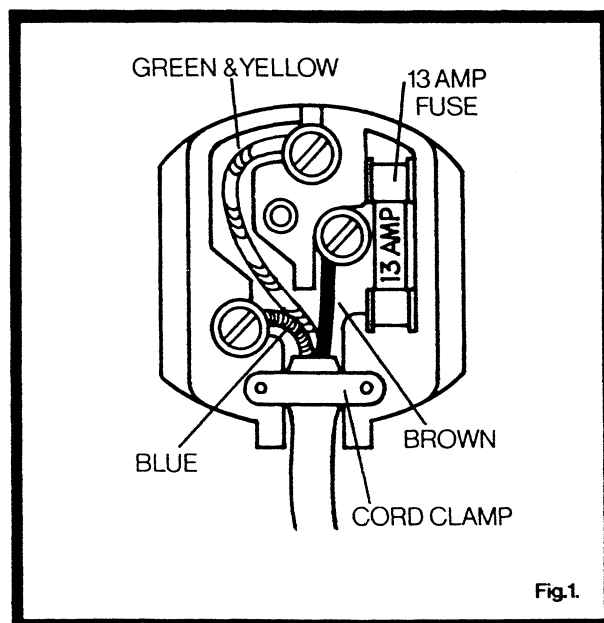


Fig.1

**THIS APPLIANCE CONFORMS TO BS800:1977 AND WITH THE REQUIREMENTS OF EEC DIRECTIVE NO. 76/889, RELATING TO RADIO INTERFERENCE.**

# Installation

The dryer should be placed where air can freely circulate around it, preferably near a window which can be opened to minimise condensation whilst the dryer is in use.

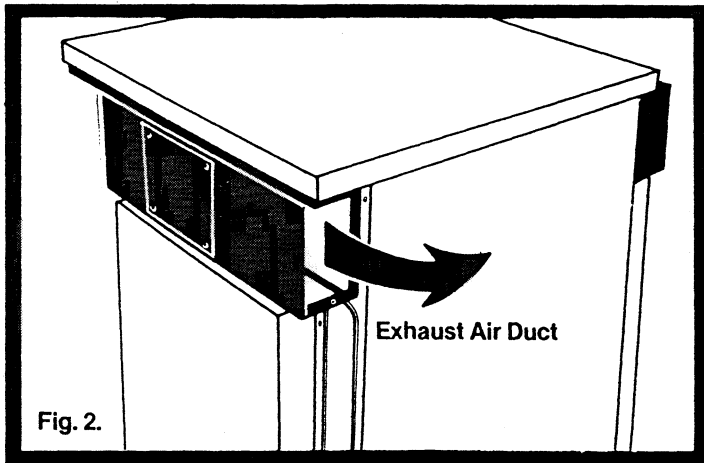


Fig. 2.

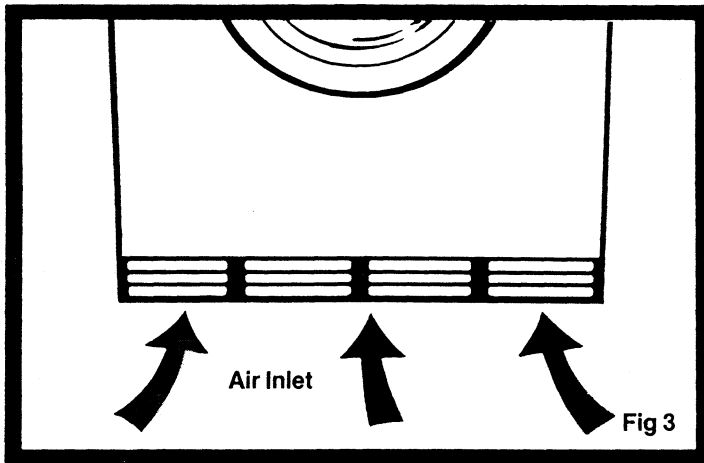


Fig 3

As air is drawn into the machine through the base as well as the grille at the front (Fig.3) it must not be used on any carpeted surface where the height of the pile would prevent a free circulation of air, i.e. there should be a gap between the floor covering and the base of the dryer.

Exhaust air is vented through a square-section duct at the rear of the machine which directs the flow to the side. (Fig. 2) This duct can be arranged to exhaust the air flow to either left or right of the machine, simply by removing the four fixing screws, reversing the direction of the duct and refitting. Always ensure that the duct is directed to the side of the machine where there is the least restriction to the air flow. Never use the machine with the duct directly against adjoining fixtures which would restrict the air flow.

If building in, the machine must be vented directly to the outside, from the rear, using the permanent vent kit (see "Optional Extras", page 6). The cover plate on the rear of the duct is for removal *only* when this vent kit is fitted, and should not otherwise be removed. The side vent outlet must then be sealed off with the metal cover plate supplied with the machine, using two of the screws which held the central cover plate in place.

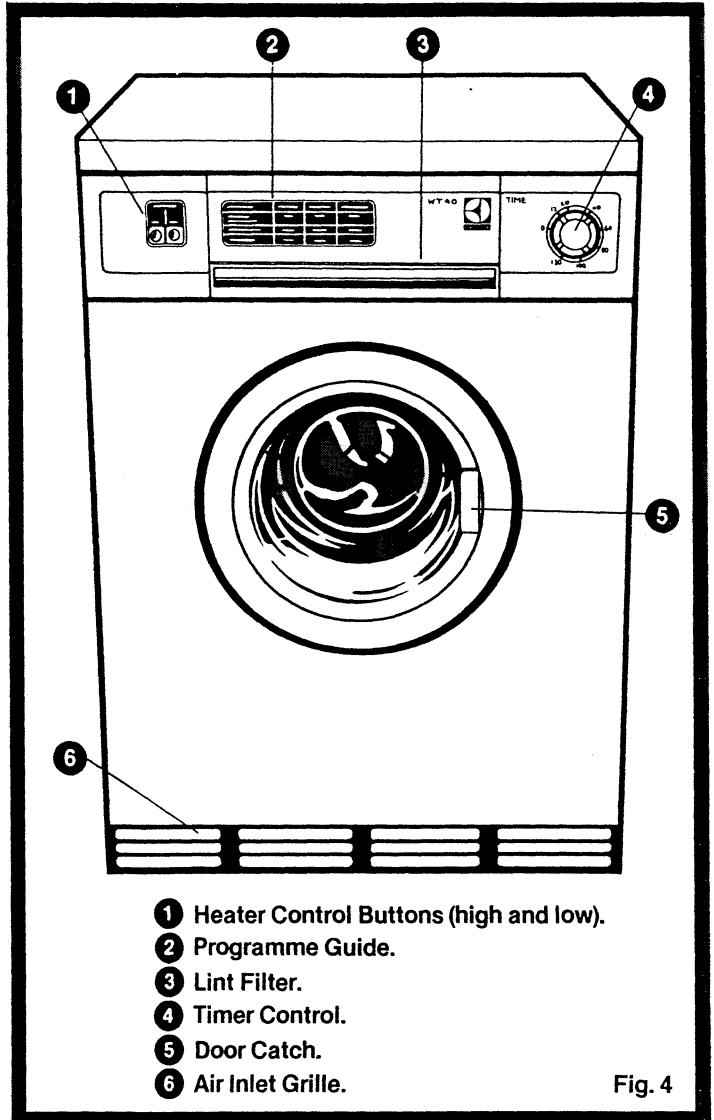
A further optional extra is a length of flexible trunking and plastic adaptor which can be secured to the duct (see "Optional Extras", page 6).

## Before Use

Although there is no internal transit packing to be removed, we strongly advise that the drum is wiped out before it is used for the first time. This is to remove any transit dust or other matter which may have entered the machine since manufacture.

# Getting to know your tumble dryer

The operation of your new Electrolux tumble dryer is quite straightforward and this section will help you to become familiar with the controls.



- 1 Heater Control Buttons (high and low).
- 2 Programme Guide.
- 3 Lint Filter.
- 4 Timer Control.
- 5 Door Catch.
- 6 Air Inlet Grille.

Fig. 4

## Heater Control Buttons

The required heat is selected by pushing the appropriate button, LOW for acrylics and acrylic mixtures, HIGH for other materials. (For wool and woollen mixtures see "Remember" on page 5.)

Please note that the chosen setting will remain with the button pushed in until the other setting is selected.

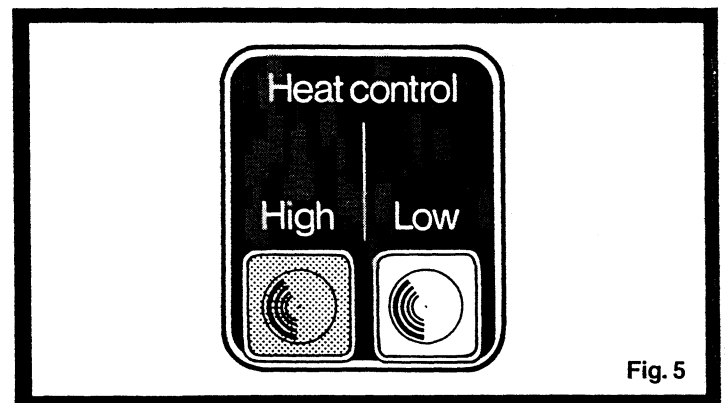


Fig. 5

## Programme Guide

This is a handy reference guide to help you choose the appropriate time and heat setting for the load to be dried.

### Timer Control

The dryer is switched on by turning the timer knob in a clockwise direction to the time-setting required. Any cycle can be selected up to 120 minutes and the timer can be re-set at any time, either to switch the machine off, or to increase or reduce the drying time. **BUT, IN DOING SO, THE TIMER KNOB MUST ONLY BE TURNED CLOCKWISE – TURNING IT BACKWARDS WILL CAUSE DAMAGE.**

The timer is electrically driven and will, therefore, only advance when there is power supplied to the dryer and the dryer door is closed.

**NOTE THAT AT NO TIME SHOULD THE DRYER BE TURNED OFF WITH CLOTHES LEFT LYING IN THE DRUM WITHOUT FIRST COMPLETING THE 12 MINUTE COOL DOWN PERIOD "0-12".**

The 12 minute cool down is a period during which the load continues to tumble in an unheated air current. This is essential for all fabrics in order to reduce the temperature of the load and also reduce creasing.

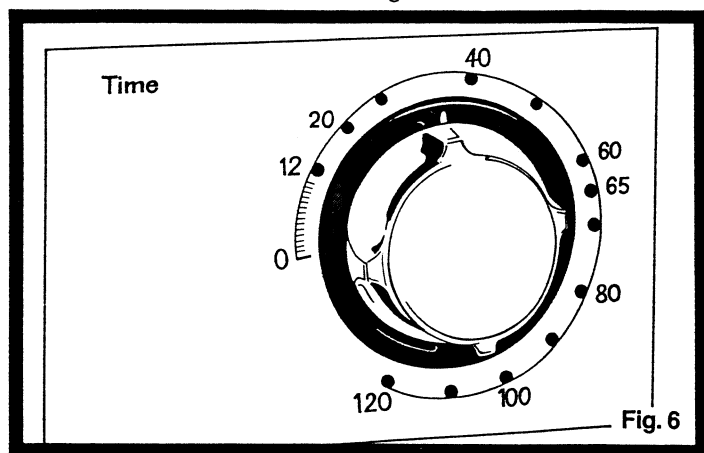


Fig. 6

### Lint Filter

All fabrics shed tiny particles known as lint, this represents normal wear and is blown away by the wind when clothes are hung on a washing line. In a tumble dryer most of this lint is collected in a filter – it is not a harmful effect caused by the machine. Minute particles will, however, pass through the filter to be discharged by the machine.

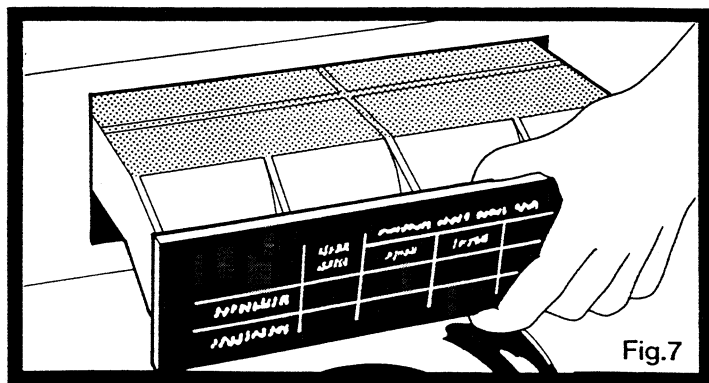


Fig. 7

**It is essential that the lint is removed from the filter every time the machine is used.**

Failure to do this will result in poor drying performance and may lead to a breakdown of the machine.

The lint filter on the WT40 is behind the centre panel of the fascia. To remove, simply pull outwards and down. The collected lint can then be peeled off the filter. When replacing the filter, the panel must be pushed back flush to the remainder of the fascia.

### Door Switch

The dryer will stop when the door is opened and will restart when the door is closed, allowing items to be taken from the machine without the need to re-set the controls.

## Using your tumble dryer

Although you must never put a dripping wet load into your tumble dryer, but should spin or wring the load damp-dry beforehand, you must not over spin easy-care fabrics – always follow the washing instructions given on the Care Label attached to the item. These fabrics dry quickly in a tumble dryer and many of them do not need ironing at all if they are dried in small loads.

Comfort Fabric Conditioner added to the final rinse will give even more softness to all fabrics and is invaluable for reducing the static electricity which causes easy-care fabrics to cling and attract dirt.

### Preparing Your Tumble Dryer

- Check that the lint filter is clean.
- If the tumble dryer is permanently vented to the outside air and is installed in a small room it is recommended that a window or door be left open while the machine is operating. This allows the air which the dryer is extracting from the room to be replaced by fresh air from outside.
- If your dryer is not permanently vented, but you have the flexible trunking, hang the free end of the trunking out of a window.
- Switch on the power supply at the wall socket.

### Preparing Your Load

**1. REMEMBER** – the following should NEVER be dried in your tumble dryer.

- Any article bearing this symbol  on the Care Label (An article bearing the symbol  may be tumble dried).
- Anything which has recently been dry cleaned. (You should use your tumble dryer only for items which have been washed in water or water solutions such as detergent and soap).
- Any item which has been contaminated by a flammable material such as petrol, white spirit, cooking oil, etc. Such items must first be washed and then rinsed, before tumble drying. Also, you should not tumble dry articles that contain plastic foam or rubber-like materials.
- Most types of wool and woollen mixtures. (See manufacturer's recommendations for these).
- Bulky items such as eiderdowns and duvets – their bulk prevents an adequate air flow through the dryer.
- A dripping wet load.

**2. Clothes should be sorted into loads of similar fabrics and drying times. Heavy fabrics should be dried separately from lightweight fabrics. Cotton which needs ironing can be dried to a suitable dampness. Towels and other cotton items which do not need ironing can be fully dried and these will be ready to wear or store as soon as they are taken from the dryer.**

All loose belts, apron strings, etc., should be tied and zip fasteners fully closed before being placed in the dryer.

Articles that contain safety pins, hair grips, metal fastenings or stiffening (e.g. bra wires) that may become detached should **not** be placed in laundry appliances. If they tumble free they could interfere with the mechanical or electrical parts of your washer or dryer.

Never overload your tumbler, not only will it impair the efficiency and cause unnecessary creasing, it can also cause damage to your machine.

The maximum loads are:-

- Cottons: 9 lb (4 kg)
- Synthetics & Mixtures: 6½ lb (3kg) – if creasing is unimportant
- Synthetics & Mixtures: 3½ lb (1½ kg) – for minimum creasing

## Drying Times

These will depend upon the size of the load, the type of fabric and the degree of wetness. It is not possible, therefore, to quote exact drying times, but experience will quickly enable you to select the appropriate setting for fully drying or damp-drying to your requirements.

The drying time will also depend upon the ambient temperature. If the dryer is installed in an unheated outhouse you must remember that the drying times in winter will be considerably longer than in the summer.

As an approximate guide, the following table may assist you:-

Washing Machine or Spin Dryer: Load/Spin Speed		Tumbler Dryer: Minutes to dry			
		2lb (1kg)	4½lb (2kg)	6½lb (3kg)	9lb (4kg)
Acrylics and acrylic mixtures. LOW HEAT	reduced*	50-80	70-120	—	—
Other synthetics. HIGH HEAT	reduced*	25-35	30-45	50-65	—
All other materials HIGH HEAT	2,800 r.p.m. (Typical spin dryer)	20-30	25-40	40-55	50-65
	800-1100 r.p.m. (Typical British washing machine)	25-35	30-45	50-65	65-80
	400-500 r.p.m. (some imported washing machines)	30-45	55-75	75-95	95-115

All times indicated are on the fascia and include 12 minutes cool down period.

\* Synthetics must be given reduced spin in accordance with garment manufacturer's recommendations.

## Energy Control

The drying times given in the chart above are averages which will vary with the nature of the load (large items, small items, heavy seams, etc.)

The Electrolux WT40 tumble dryer has an energy saving feature which reduces wastage of electricity when drying times have been over-set.

A thermostat switches the heater off if the temperature in the drum reaches a pre-determined level — a temperature at which all fabrics should be dry, although some materials may have been dry for some minutes. The clothes will continue to tumble and the heater will come on again after about 10 minutes, and will continue to cycle on and off at 10 minute intervals until the end of the programme. In this way all unnecessary heating is saved when the timer is over set by up to 10 minutes, and at least half is saved when it is over set for longer times.

## Heater Protection

If the load appears to take longer than usual to dry it may be that this is because the heater protector is operating. This may be as a result of the filter being

obstructed with lint, the drum being overloaded, or the air inlet or outlet being restricted.

The heater protector is a device which is fitted to prevent excessively high temperatures being reached. This will function automatically, switching off the heater, and will re-set as the temperature falls.

## Cool Down Period

Before the load stops tumbling, the heater will automatically switch off and the load will continue to tumble for approximately 12 minutes in cool air, to complete the drying cycle. This cool down period is essential for all fabrics — to reduce the temperature of the load. It also reduces creasing.

At no time should the dryer be turned off, with clothes left lying in the drum without first completing the cool down period.

It is important to remove easy-care fabrics from the dryer as soon as it stops (after the cool down period) to avoid causing unnecessary creasing.

## Remember

A tumble dryer, used correctly, does not harm your clothes. Many fabrics used in the manufacture of clothing and household textiles tend to undergo some change of size when laundered. This size change is due to relaxation of the fibres which, having been stretched during the spinning and weaving processes, tend to return to their unstretched state when immersed in water. These fibres normally stretch again in use, and even hanging wet on a line stretches the material to some extent. Because, unlike line drying, tumble drying does not put any tension on the fabric the difference may appear more noticeable when the garments are dry.

The mechanism of wool shrinkage is different and non-reversible. Once wool has shrunk, it cannot be stretched back to its original size.

**Children have been known to climb into tumble dryers when not in use. Always remove the plug or switch off at the socket outlet.**

## Care and Cleaning

Cleaning the filter: Remove all lint from the filter after each use of the machine.

**Cleaning the dryer (inside and outside):** Occasionally wipe inside the drum and the outside of the cabinet (including the rear) with a damp cloth. Never use abrasive or chemical cleaners which can damage plastics and paintwork. We recommend that you use a cleanser such as Jiffy, following the manufacturer's directions.

The areas around the base and air inlet of the machine should be kept free of dust and fluff by regular cleaning.

**Lubrication:** The Electrolux WT40 uses special bearing components. Lubrication by the user is not necessary and should not be attempted.



## Something Wrong with your Dryer ?

If you feel that there may be something wrong with your dryer check through the following list before you call in a Service Engineer.

- 1. Machine does not start:**
- a) Is the timer set and the door closed?
  - b) Is the dryer plugged in, and switched on at the mains supply?

(If "Yes" to the above, switch off the dryer and remove the plug from the wall socket. Then:-)

- a) Check the condition of the fuse and wiring in the plug.
- b) Check that power is reaching the wall socket by plugging in another appliance.

- 2. Drying takes longer than normal:**

- 1) Is the weather colder?
- b) Is the filter clean? (See page 4).
- c) Is the drum overloaded? (See page 4).
- d) Are either the air-inlet or the air-outlet obstructed? (See page 3).
- e) Have you fitted a flexible trunking kit?

- 3.** If you have checked through the above and re-read this instruction book and there is still a problem, then you should arrange for a Service Engineer to call. Contact your local Electrolux Service Reception Unit, or Regional Service Office. (See page 7).

## Optional Extras

For your added convenience there are a number of optional extras for use with your Electrolux WT40 tumble dryer.

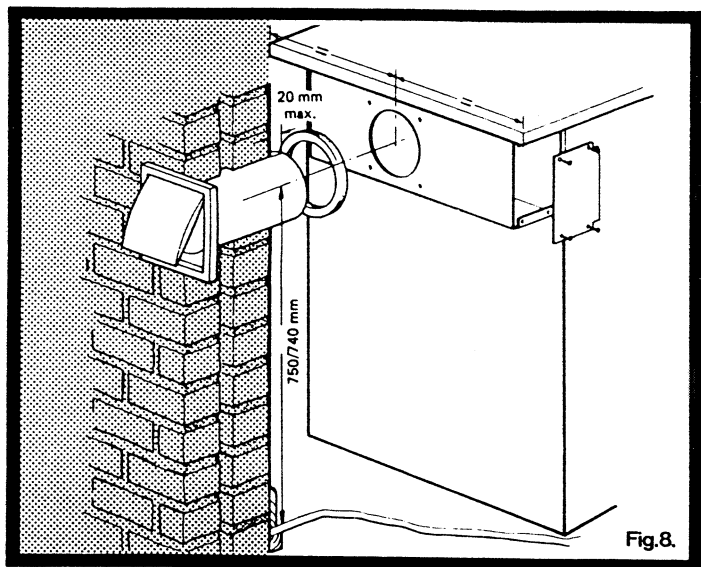
When ordering any of these items please quote the machine model number and its serial number. These are both stated on the data plate affixed to the machine.

Optional extras for the Electrolux WT40 tumble dryer may be obtained from local stockists, or may be ordered from any of the Electrolux Regional Service Offices listed on the back page.

Optional extras are as follows:-

### Wall/Window Permanent Venting Kit

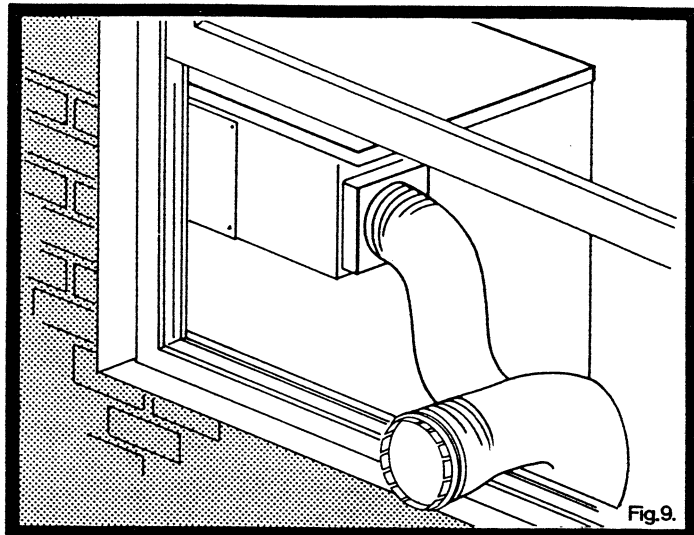
A special kit which is designed to allow the permanent venting of exhaust air through a hole cut in the wall behind the machine. (Fig 8).



### Flexible Trunking and Plastic Adaptor Kit:

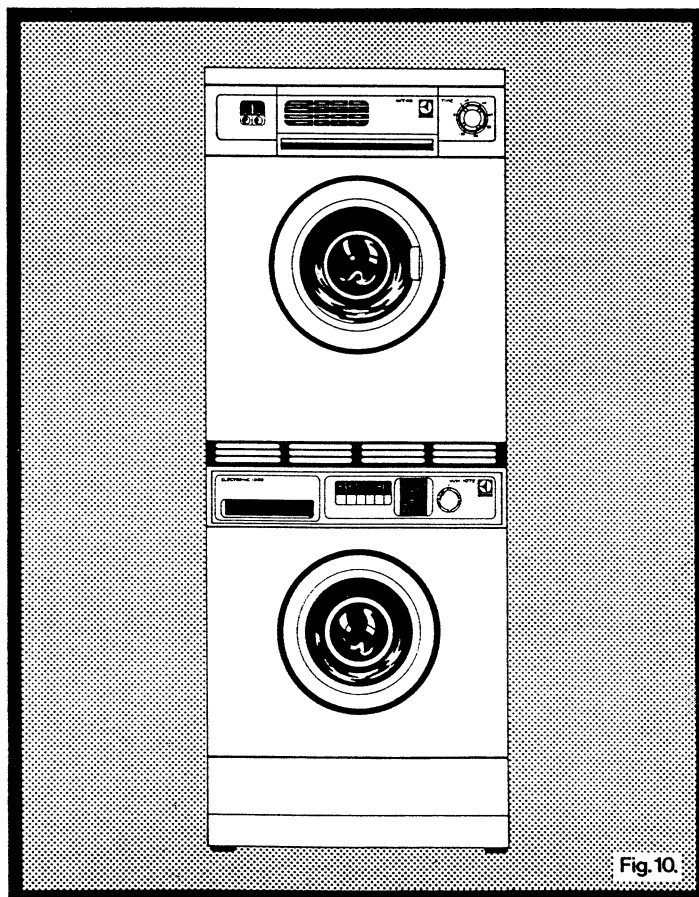
A 4" (100mm) diameter flexible hose which extends to a length of 8 ft. (2.4 metres) to duct the exhaust air out of the room. Connection to the machine is by means of a plastic adaptor which is secured to the exhaust outlet. One end of the flexible hose is connected to the adaptor and the free end is placed through a nearby window or opening. (Fig. 9)

The use of this kit may prolong drying times slightly but should not significantly increase electricity consumption. This kit can be used in conjunction with the Wall/Window Permanent Venting Kit if it is not convenient to vent to the outside directly behind the machine.



### Stacking Kits

Allow the WT40 tumble dryer to be stacked neatly on top of an Electrolux WH1075 or WH34 automatic washing machine, thereby saving valuable floor space. (Fig. 10)







# Guarantee

THIS GUARANTEE IS OFFERED TO YOU AS AN EXTRA BENEFIT AND DOES NOT AFFECT YOUR LEGAL RIGHTS.

Electrolux products are carefully designed, manufactured, tested and inspected and, in consequence, we can undertake to replace or repair any part found to be defective in material or workmanship within one year of delivery to the original purchaser, free of any charge.

The guarantee is only conditional upon the appliance being correctly installed and used in accordance with the Company's instructions under normal domestic conditions within the United Kingdom. It may, however, be invalidated by unauthorised repair or modification of the appliance. Please read the installation and operating instructions carefully.

The Company does not accept liability for defects arising from normal wear and tear, neglect or accident.

Customers are asked to assist the Company to carry out its undertaking under this guarantee by filling in the details on the enclosed registration card and returning it within 14 days. This will provide valuable statistical information.

Proof of the date of purchase will be required before free service is provided. Addresses where services can be requested are listed overleaf.

For your future reference, please enter the date of purchase of your tumble dryer in this panel.

/ /
-----

## ELECTROLUX SERVICE ORGANISATION

Should you require help or service in connection with your Electrolux tumble dryer, please contact the Service Reception Unit for your area (see list below) and specify the model number of your machine. Before writing or telephoning for service please check whether your problem is covered on page 6 under "Something wrong with your dryer".

You may wish to consider taking out our Annual Maintenance Agreement which covers the cost of repairs in the event of a breakdown. Details of this scheme can be obtained from the Regional Service Offices.

### SOUTHERN REGION

Electrolux Ltd., Hippodrome House, Birchett Rd.  
Aldershot, Hants GU11 1LU

Aldershot 24505 (STD code 0252)

For Southern, South Eastern and South Western Electricity Board areas.

**Brighton area.** 12 Gloucester Place,

Brighton 694341 (STD code 0273).

**Maidstone area.** 128 Sutton Road,

Maidstone 677727 (STD code 0622).

**Southampton area.** 19 Church Street, Shirley,

Southampton 758231 (STD code 0703).

**Devon and Cornwall.** 231 Albert Road,

Devonport, Plymouth 58161 (STD code 0752).

**Avon and Somerset.** 3 Waring Road,

Redcliffe Hill, Bristol 211876 (STD code 0272).

**Jersey.** 1A Victoria Road, Georgetown,

St. Saviour, Central 22138 (STD code 0534).

**Croydon area.** Airport House, Purley Way,

Croydon 01-688 2516. (Spares and Repairs only).

Users residing within 20/30 miles of Croydon, including all London Postal Districts, may telephone 01-686 4321 to register service requests.

### EASTERN AND LONDON REGION

Electrolux Ltd., (Eastern & London Service Office),

Oakley Road, Luton, Beds LU4 9QQ

Luton 55966 (STD code 0582).

For Eastern and London Electricity Board areas.

**North London area** Lancelot Road,

(entrance from Milford Gardens), Wembley, Middlesex (01-903 1977)

**Thames area of Essex.** 628 London Road,

Westcliffe, Southend 354313 (STD code 0702).

**Norwich area.** 1 Malthouse Lane, Norwich 614157 (STD code 0603).

### MIDLANDS & SOUTH WALES REGION

Electrolux Ltd., 3 Strensham Hill, Moseley,

Birmingham B13 8AQ (021-449 5252).

For Midlands and East Midlands Electricity Board areas.

**Cheltenham area.** 16 Suffolk Parade,

Cheltenham, Gloucestershire

Cheltenham 584051 (STD code 0242).

**Nottingham area.** 213 Derby Road, Bramcote,

Nottingham 396927 (STD code 0602).

**Potteries area.** 107 Church Street,

Stoke-on-Trent 413414 (STD code 0782).

**South Wales Electricity Board area.**

19 David Street, Cardiff 387444 (STD code 0222).

Powell Duffryn House, Adelaide Street, Swansea 51848 (STD code 0792).

### NORTHERN REGION

Electrolux Ltd., Altham Lane, Altham, Accrington BB5 5XY  
Padiham 74621 (STD code 0282).

For North Western Electricity Board area.

**Liverpool area** 1 Honeys Green Precinct,

Honeys Green Lane, Liverpool L12 9JH (051-220 8014)

**Manchester area.** 88 Bury Old Road, Whitefield,

Manchester (061-798 9689).

**Merseyside & North Wales Electricity Board area.**

141 Brook Street, Chester 312038 (STD code 0244).

**Yorkshire Electricity Board area.** 70 Cross Gates Road,

Leeds 608511 (STD code 0532).

**Sheffield area.** 51 Penistone Road North,

Sheffield 338674 (STD code 0742).

### SCOTLAND & NORTH EASTERN REGION

Electrolux Ltd., 5 Wellington Street,

Glasgow G2 6JB (041-204 0411).

For Scottish Electricity Board areas.

**Aberdeen area.** 8 Cornhill Arcade, Cornhill Drive,

Aberdeen 695761 (STD code 0224).

**Cumbernauld area.** Westfield Industrial Estate,

Cumbernauld 85704 (STD code 023-67).

**Dundee area.** 119 Hilltown, Maxwell Shopping Precinct,

Dundee 22630 (STD code 0382).

**Edinburgh area.** 4 Lochrin Place, Tollcross,

Edinburgh 1232 (STD code 031-229).

**Inverness area.** Unit 3, Kinmylies, Inverness

223056 (STD code 0463).

**Carlisle area.** 116 Denton Street, Denton Holme, Carlisle CA2 5HB

Carlisle 44568 (STD code 0228).

**Tyne & Wear/Durham areas.** 1 Eastbourne Avenue,

Gateshead 782381 (STD code 0632).

**Teesside/N. Yorks. areas.** 49 Mandale Road, Thornaby,

Stockton-on-Tees 64848

### NORTHERN IRELAND

Electrolux Ltd., 27 Franklin Street, Belfast BT2 8DU,

Belfast 27512 (STD code 0232).

### REPUBLIC OF IRELAND

Electrolux (Santry) Ltd., Unit 15, Airways Industrial Estate,

Swords Road, Cloghran,

Co. Dublin 426111 (STD code 0001).

 **Electrolux**  
ELECTROLUX LTD., LUTON, BEDFORDSHIRE

Electrolux Ltd., may introduce modifications to their products from time to time, and consequently the details given in this booklet are subject to alteration without notice.

The model WT40 tumble dryer is made in England for Electrolux Ltd.