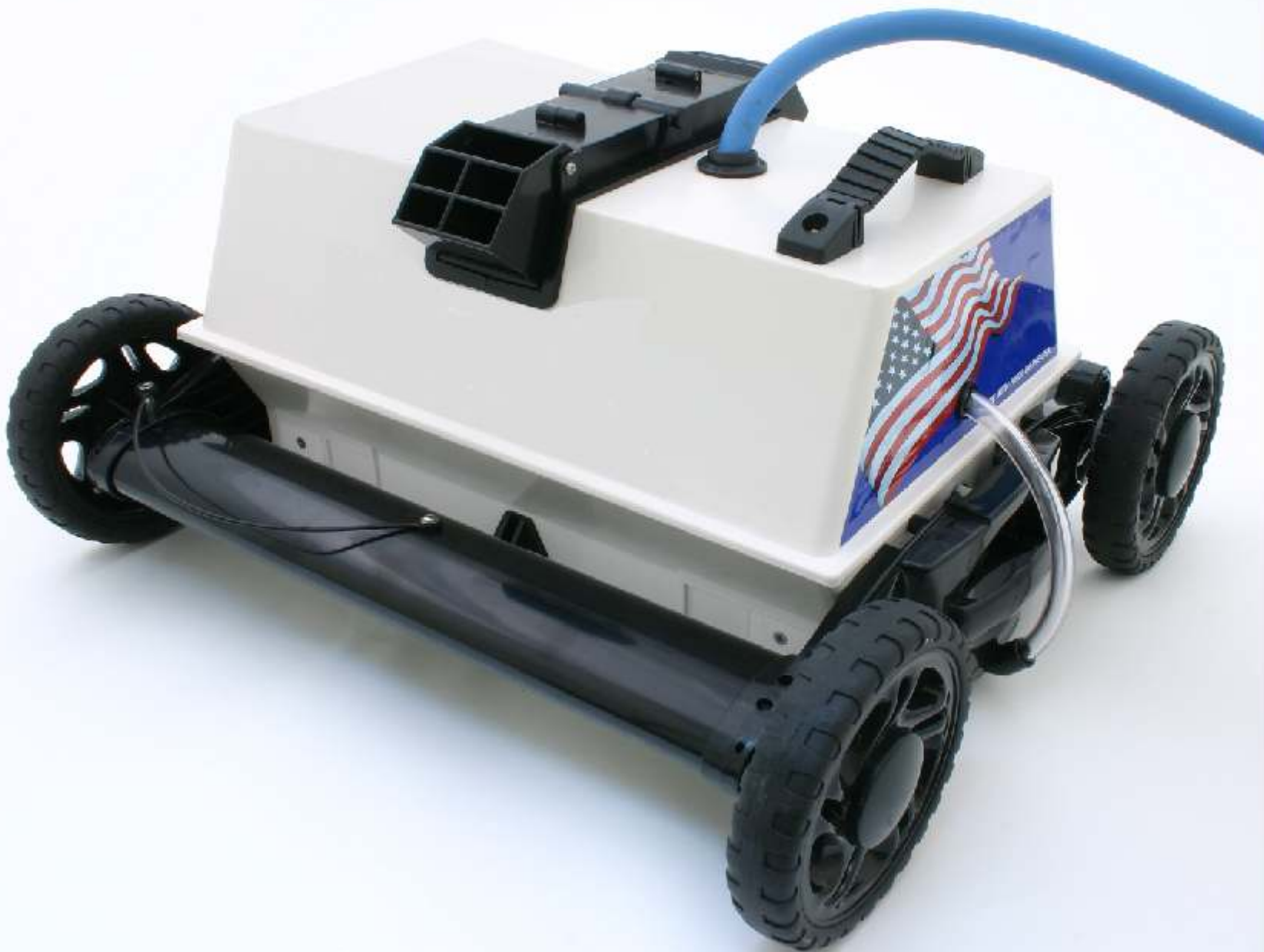


# Jet Cleaner

Automatic Commercial Swimming Pool Cleaner



**OPERATOR'S MANUAL**

PLEASE READ THE ENTIRE MANUAL CAREFULLY BEFORE USING YOUR Jet Cleaner

## Dear Customer

Congratulations! You have purchased one of the best pool cleaners that technology can offer, the Jet Cleaner. The Jet Cleaner is a fully automatic robotic pool cleaner with the powerful **Jet Drive Propulsion System**. Through its unique design, the Jet Cleaner will systematically clean the entire pool, wash away debris with its Hydro-Scrubbing power washing jets and collect debris in the Filter Bag down to 2 microns in size. All you have to do is put the Jet Cleaner into your pool, turn its power on and let it do its job of filtering and vacuuming all the dirt and debris out of your pool.

### Table of Contents

•POWER SUPPLY.....	2
•Jet Cleaner.....	2
•OPERATING INSTRUCTIONS.....	3
•ADJUSTING THE TIMING CYCLE.....	3
•CLEANING CYCLE.....	3
•REMOVING UNIT FROM THE POOL.....	4
•MAINTENANCE INSTRUCTIONS.....	4
•TROUBLESHOOTING.....	5
•CLEANING PATTERNS.....	6
•WARRANTY STATEMENT.....	7

#### WARNING

Improper connection of the polarized 3-prong grounding type outlet can result in a risk of electric shock. Check with a qualified electrician or service person if you are in doubt as to whether the outlet is properly grounded. Do not modify the plug provided with the cleaner—if it will not fit the outlet. Have a proper outlet installed by a qualified electrician. For your protection, a Ground Fault Current Interrupter (GFCI) should be installed.

### Power Supply (Transformer)

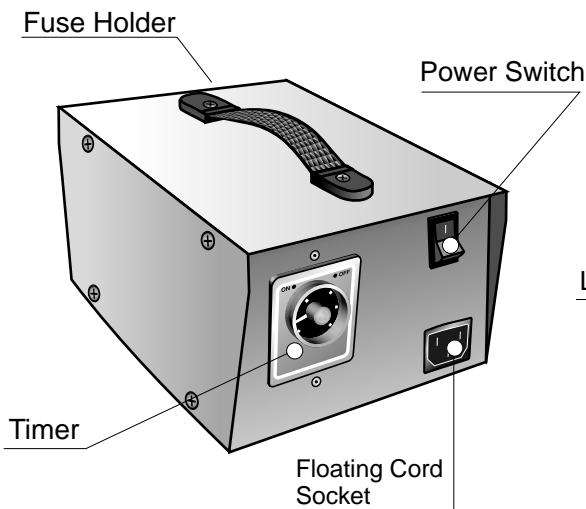
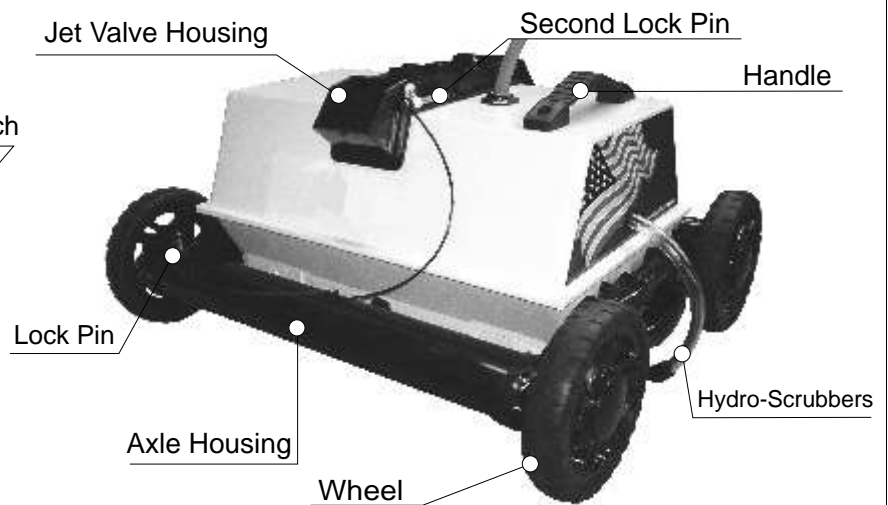


FIG.2



Jet Cleaner Pool Cleaner



**CAUTION**

RISK OF ELECTRIC SHOCK-DO NOT OPEN



CAUTION: TO REDUCE THE RISK OF ELECTRIC SHOCK, DO NOT REMOVE SCREWS. NO USER-SERVICEABLE PARTS INSIDE. REFER SERVICING TO QUALIFIED SERVICE PERSONNEL.

# OPERATING INSTRUCTIONS

## STEP 1

1. Place the Power Supply in a dry sheltered area at least 12 feet (3.6 meter) away from the pool. Since the Power Supply is not water proof, it should not be left out in the rain or placed into puddles of water.  
Plug the Power Supply cord into a 115Volt grounded GFCI outlet.

## STEP 2

1. Plug the Jet Cleaner's Floating Cable into the Power Supply. Be sure that the Power Supply ON/OFF switch is in the OFF position.
2. Adjust the pins according to your pool size and cleaning pattern.  
(For details please see page 6-7)
3. Place the Jet Cleaner in the pool upside down, gently tilting it side to side to allow any trapped air to escape. Allow the Jet Cleaner to sink to the bottom of the pool. Once air bubbles stop emerging, gently pull the Floating Cable to turn the Jet Cleaner upright if necessary.  
**NOTE:** The Jet Cleaner must be completely submersed in the pool water before using. If the Jet Cleaner does not sink it is because air is still trapped inside. Repeat #2.
4. Uncoil the Floating Cable which extends from the Jet Cleaner's body and spread it over the pool water surface as evenly as possible. If your pool is elongated (rectangular or oval), place The Floating Cable at the middle of the pool's length. Make sure that the Floating Cable is not tangled or kinked.

## STEP 3

### ADJUSTING THE TIMING CYCLE

The Time Control Knob located on the front panel of the Power Supply (FIG. 2) can be adjusted to allow more or less time between the Jet Cleaner's forward and reverse motion.

Set your Jet Cleaner's Time Control Knob to 45 seconds. The Jet Cleaner should move across your pool, at its widest point, from one side to the other. The Jet Cleaner should wait at both sides for at least five seconds before reversing. If this doesn't happen, adjust the Time Control Knob accordingly.

**NOTE:** Turning the Time Control KNOB clockwise will lengthen the time between reversals.

Conversely, turning the knob counter-clockwise will reduce the time between reversals. Once the Time Control is set, it does not need to be changed unless you use a different type of Filter Bag. The Optional Mesh Bag may cause the Jet Cleaner to cross your pool in less time and the time control should be re-adjusted in this case.

### CLEANING CYCLE

The size of your pool, and the amount of debris in it, will determine the length of a cleaning cycle, which can vary from one to three hours. The less often you clean your pool, the longer the cycle. The cleaning cycle is completed when (1) the pool has reached an acceptable level of cleanliness or, (2) the Jet Cleaner cannot collect anymore debris. When the Jet Cleaner slows down so that it constantly reverses direction before reaching the sides of the pool, it is sending a signal that it is time to clean the filter bag.

# OPERATING INSTRUCTIONS

## REMOVING THE Jet Cleaner FROM THE POOL

- Upon completion of the Jet Cleaner's cleaning cycle (When the pool is clean), turn off the power supply by pressing the ON/OFF switch to the OFF position.
- Unplug the Jet Cleaner's Floating Cable from the Power Supply
- Gently pull the Jet Cleaner toward you using the Floating Cable. When the Jet Cleaner is within reach, grab its handle and release the floating cable. Removing the Jet Cleaner by its Floating Cable may cause severe damage to the cable.
- Remove the Jet Cleaner from the water using its handle.
- Rest the Jet Cleaner on its side to allow water to drain from the unit.

## IN-SEASON STORAGE

- Never leave your Jet Cleaner in the pool when not in use. Do Not allow swimmers in the pool while in use.
- After removing your Jet Cleaner from the pool you should clean and re-install the filter bag. Then rest the Jet Cleaner on its side in a dry, shaded area along with its Power Supply and properly coiled Floating Cable.

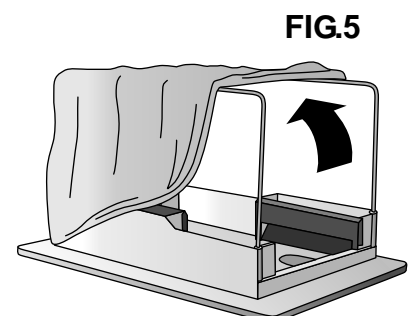
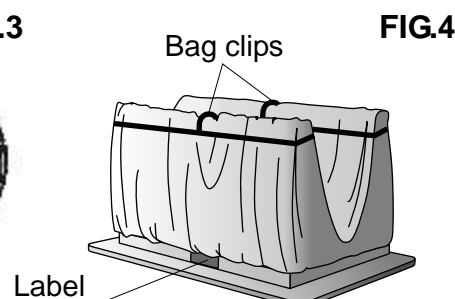
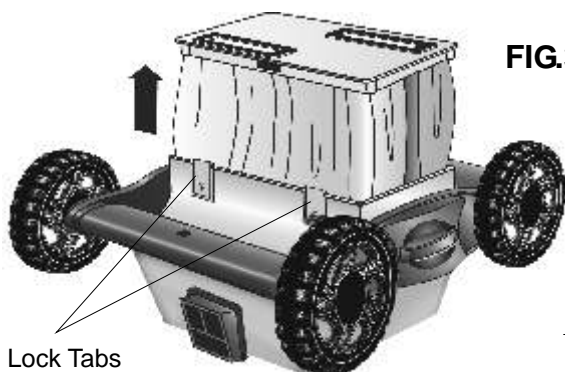
## OFF-SEASON STORAGE

When the Pool Season is over you should thoroughly clean both filter bags, make sure that there is no water in the Jet Cleaner, completely untangle and then properly coil the Floating Cable. Your Jet Cleaner and Power Supply should be stored in a dry, protected area.

# MAINTENANCE INSTRUCTIONS

Remove the Jet Cleaner from the water. NOTE: Make sure that the Power Supply is turned off and that the Jet Cleaner's Floating Cable is unplugged.

- Place the Jet Cleaner on its back and release the four Lock Tabs to unlock the Bottom Lid Assembly. Remove the Bottom Lid Assembly. (FIG. 3)
- Remove the bag clips and the Filter Bag from the bag support wire frames (FIG. 5).
- Turn the Filter Bag inside out (the Fine Filter Bag has a soft felt surface on the inside) and wash off visible dirt using a garden hose or a faucet. Gently agitate the bag in your hands to help remove fine particles. Continue cleaning and squeezing the bag gently until rinse water is clear. Use of a washing machine (gentle cycle) is recommended when visible dirt will not rinse off by other methods. USE NO DETERGENT or BLEACH! DO NOT MACHINE DRY!
- Turn the Filter Bag "right side out" (felt surface on the inside) re-mount the bag on the wire frames making sure that the label on the bag is centered on one of the long sides of the Bottom Lid Assembly (directly beneath one of the V's in the wire frames. Pull the bag toward the middle of each wire frames so that the bag corners are snug against the corners of the wire frame. Tuck the excess bag into the V-shaped section of the wire frames (FIG.4). Replace the Bag Clips.
- Re-install the Bottom lid Assembly. Make sure that neither debris nor the Filter Bag itself interferes with complete closure of the Bottom Lid Assembly.



# TROUBLESHOOTING

## Does not pump water, move or vacuum

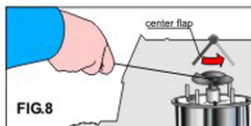
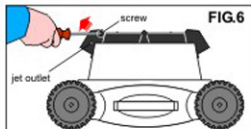
- Check to see if electric outlet has power.
- Check to see if the Power Supply is plugged into a grounded outlet and that the Floating Cable is plugged into the Power Supply. Check the GFCI outlet to verify that the power is not "cut-off".
- Check the Fuse in the Power Supply. If necessary replace the fuse (Replacement fuses are available at electronic and hardware stores). Replace with same size and rating, make sure it is "slow blow" type.
- Check cables for possible cuts or damage.

## Does not vacuum well or at all

- Check to see if the Filter Bag is clean and not clogged with debris.  
**NOTE:** Use the Fine Filter Bag to trap smaller debris such as algae, bacteria, sand and silt. Use the Mesh Filter Bag to trap larger debris such as leaves, acorns, twigs and pine needles.
- Check to see if the Intake Valve Flaps on the bottom of the cleaner are free to open and close, these flaps should move easily to allow the entry of water and debris.

## Does not cover the entire pool

- Check to see if the wheel movement is free of obstructions like hair, string or accumulated debris.
  - Adjust timing cycle so that the Jet Cleaner reaches the other side of the Pool before changing direction.
  - Check if the Pin locations is in proper place for your pool size. (See pg. 6)
- ## Does not reverse direction
- Take a garden hose and, with the pressure set on "high", spray it into the valve housing at each opening. This should free the Jet Valve System of any debris. If this does not solve the problem, there is most likely debris wrapped around the impeller beneath the Jet Valve.

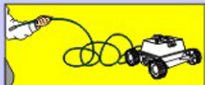


## Cleaning the Impeller

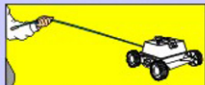
Remove screws and Jet Valve Housing (Fig. 6). Bend a common "giant" paper clip into a hook as shown in (FIG. 7). Push the center flap to open it and look into the Impeller. Most often that which is affecting the impeller is hair wrapped around the impeller. Use your paper clip to hook the debris and remove it (FIG. 8). The valve flap inside the Jet Valve Housing should swing freely!

## Cable Care

Some pool shapes may cause the cable to coil or tangle because the cleaner operates in a systematic pattern. If that happens, use the E-Z swivel, a patented feature that allows you to easily untwist the cable.

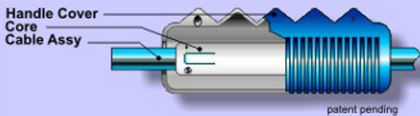


Holding with one hand the E-Z Swivel.



Place the Robot on the ground and unplug the cable from the transformer. With one hand, holding the E-Z Swivel walk away from the Robot, pulling the cable to its full length.

The core will rotate inside the cover and in this way will untangle the cable.





# CLEANING PATTERNS

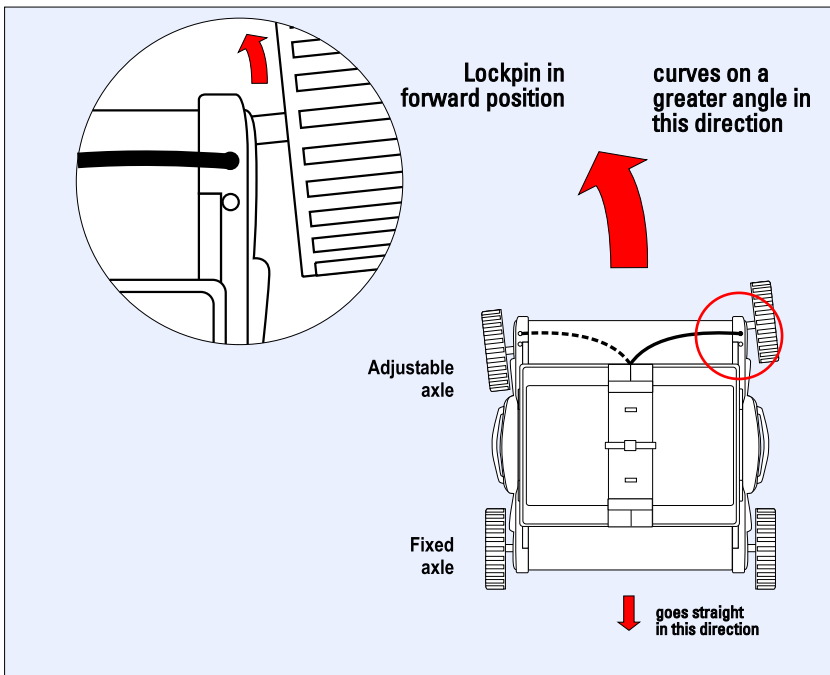
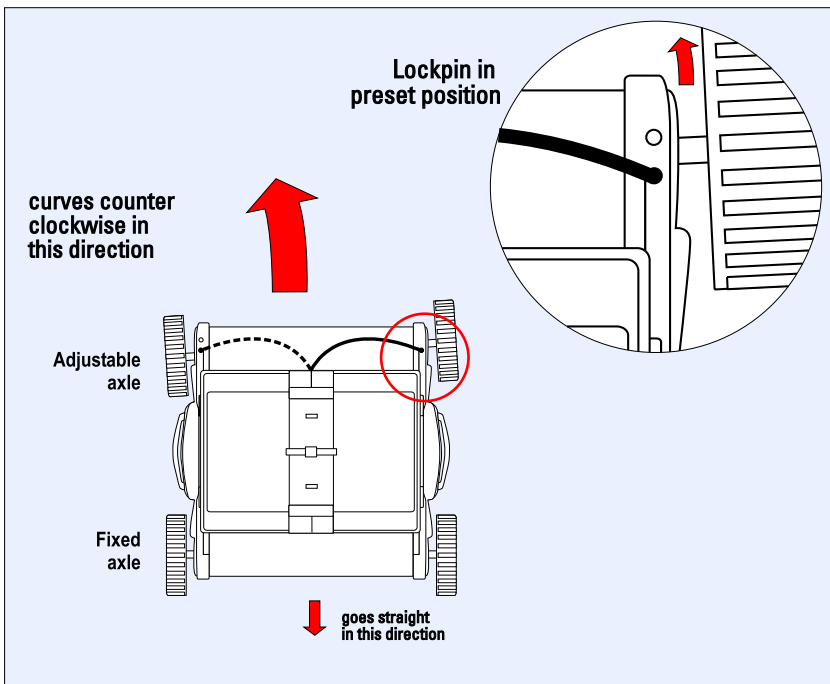


FIG.9



## OTHER CLEANING PATTERNS

If you feel that the Jet Cleaner is not cleaning your entire pool, you may wish to make one of the following adjustments to its cleaning pattern:

## SETTING THE CLEANING PATTERN FOR YOUR POOL

Your Jet Cleaner is pre-set to scan and clean most pools 70 to 80 feet (20 to 24 meters) in length. The Jet Cleaner is factory set to look like the picture in Fig. 9 with one Lock pin installed on each side. The Jet Cleaner will systematically clean your pool in a consistent pattern.

After your Jet Cleaner completes its cleaning cycle remove the Jet Cleaner from the pool and transfer the Lock pins from the right side of the unit to the left side(vice versa). Next time you use your Jet Cleaner the cleaning unit will clean the pool in the opposite pattern. This will ensure that your cleaner completely cleans your entire pool.

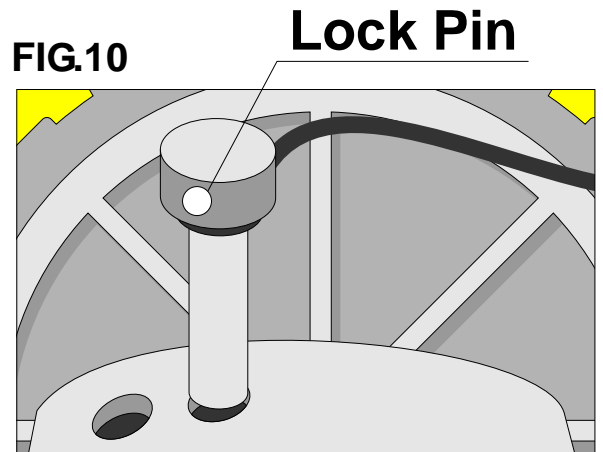


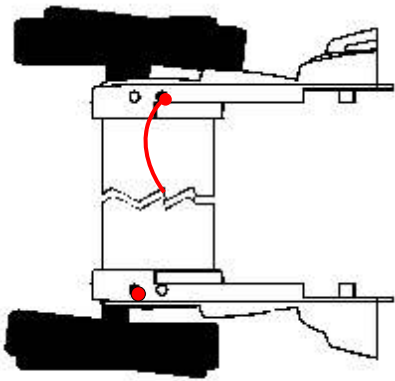
FIG.10

## ADJUSTING THE Jet Cleaner FOR YOUR POOL

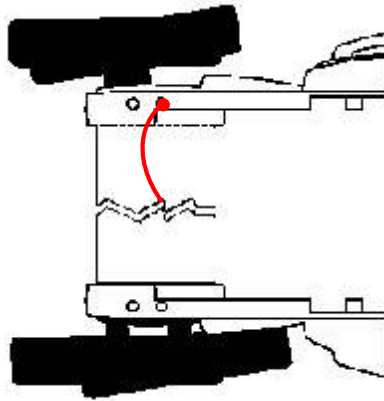
The Jet Cleaner uses a systematic cleaning pattern that allows the cleaner to go back and fourth in overlapping patterns. The Jet Cleaner may be used to clean a variety of different size pools, from the small, to the very large. Before its first use, you must set up the Jet Cleaner for your pool. To adjust the Jet Cleaner you will use the **axle locking pin**. (Fig. 10). There are two locking pins permanently attached to the unit with a lanyard. Only one locking pin is required for most applications. For the very large pools you will need to install an additional locking pin (Located on the jet valve housing). Follow the pin configuration illustration for your size pool (Fig. 11).

# CLEANING PATTERNS

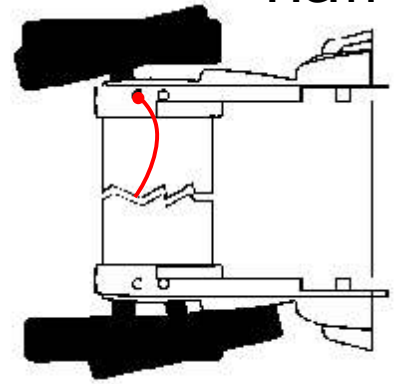
FIG.11



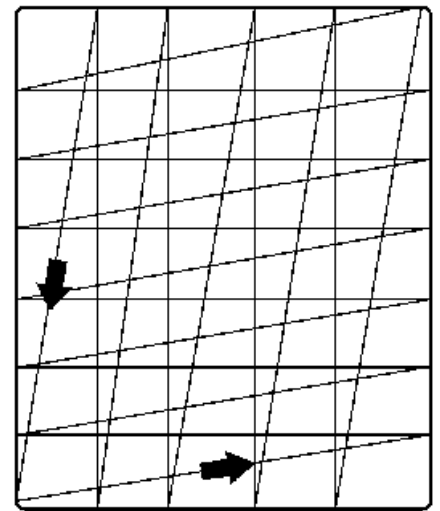
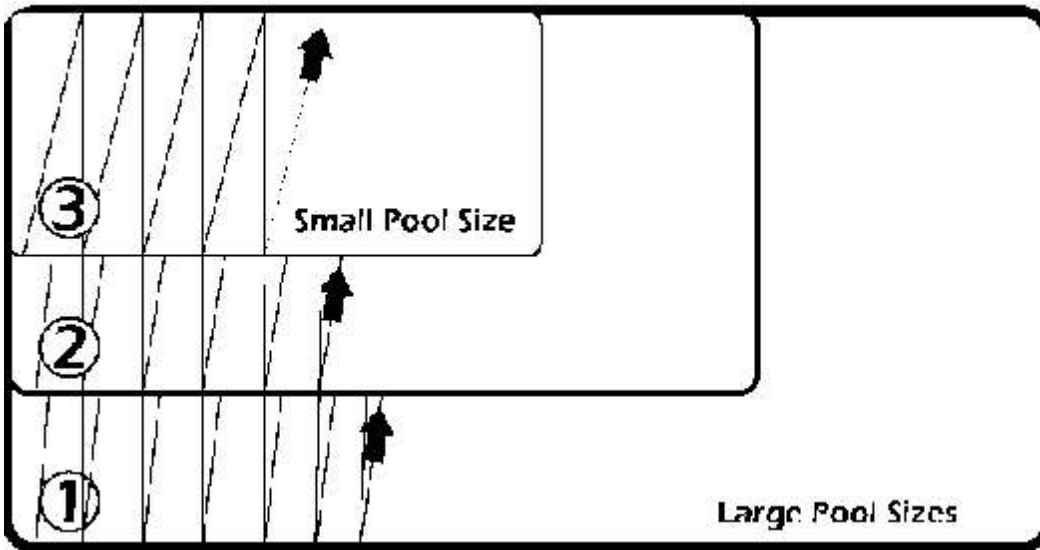
① Pins (2) position for large commercial - public pools



② Pin position for medium commercial - public pools



③ Pin position for small commercial - public pools



Cleaning Pattern



NOTE: These Images Show The Location Of The Second Pin Used For Large Commercial Pools.

# Warranty Statement

## IMPORTANT

Please read the following warranty statement carefully before taking any actions pertaining to repairs, servicing and especially returns.

AquaJet Inc. or its authorized agents will not accept any cleaners from any sender without proper authorization codes and procedures being placed into effect. If you proceed without fully reading this statement, you may be placing your warranty in danger of becoming voided.

### Serviceing

On a Yearly/Seasonal basis we recommend that you have your Jet Cleaner inspected by an authorized service center. This will help ensure that your Jet Cleaner will continue to provide you with years of trouble free operation. Contact the Service Department toll-free at **1-888 AQUATECH (278-8324)** or via e-mail at **Commercial@AquaJet.us**

In order to service your Jet Cleaner properly, please contact the Service Department to receive a Return Authorization number. Your Jet Cleaner cannot be serviced without a Return Authorization number. This Return Authorization number is required to be posted on all sides of the shipping packaging for easy visibility and recording upon its arrival at the service facility. Any cleaners sent without a prior approved Return Authorization number will be refused by the service facility's shipping and receiving department.

### Warranty

This automatic Jet Cleaner has been manufactured, tested and inspected in accordance with carefully specified engineering requirements. Jet Cleaner warrants that your automatic cleaner is free from defects in workmanship and materials under normal use and service, subject to qualifications, conditions and limitations as described below.

**Duration of Limited Warranty:** One (1) year from original date of purchase. Subject to the warranty conditions below, during the twelve months from original date of purchase, AquaJet Inc. shall make any necessary repairs, including parts and labor without charge, except for transportation costs, which shall be paid by purchaser. Our one (1) year warranty will cover all parts and labor costs will be warranted for 12 months or 100 cleaning cycles, whichever ever comes first.  
**PARTS NOT COVERED BY WARRANTY:** The Filter Bags, axles and wheels require replacement in the ordinary course of use due to normal wear. Therefore, these parts are not covered by this warranty.

**TO WHOM EXTENDED:** This warranty extends to the first consumer purchaser only for the specified period from the date of the original purchase.

**PREVENTATIVE MAINTENANCE:** Your Jet Cleaner requires a minimum amount of preventative maintenance as outlined in your operation manual. Failure to observe this will void the warranty.

**IMPROPER USE:** This warranty covers only normal use for private commercial pools with 115V outlets. Damage, defects malfunctions or other failures arising from its use without the original transformer, or any use which does not comply with the instructions in the Operator's Manual, are excluded.

**UNAUTHORIZED REPAIR:** Damage, defects, malfunctions or

Other failure caused by repair, done by anyone other than an authorized service representative of AquaJet Inc., shall not be covered.

**LEGAL LIMITATIONS:** No agent, representative, dealer or employee of AquaJet Inc. has the authority to increase or alter the obligations of this warranty.

**TO VALIDATE THIS WARRANTY:** The enclosed warranty registration card must be mailed within ten (10) days of purchase accompanied with a copy of the original proof of purchase or sales slip. No warranty service will be performed unless AquaJet Inc. has received the warranty registration card.

**NOTE:** This limited warranty is in lieu of all other express warranties, obligations or liabilities.

**ANY IMPLIED WARRANTIES, OBLIGATIONS OR UTILITIES, INCLUDING BUT NOT LIMITED TO ANY IMPLIED WARRANTY OF MERCHANTABILITY, SHALL BE UNLIMITED IN DURATION TO THE PERIOD OF TIME OF THIS WRITTEN UNLIMITED WARRANTY. ANY ACTION FOR BREACH OF ANY WARRANTY HEREUNDER, INCLUDING BUT NOT LIMITED TO ANY IMPLIED WARRANTY OF MERCHANTABILITY, MUST BE BROUGHT WITHIN A PERIOD OF TWELVE (12) MONTHS FROM DATE OF ORIGINAL PURCHASE.**

**IN NO CASE SHALL AQUAJET INC. BE LIABLE FOR ANY CONSEQUENTIAL DAMAGES FOR BREACH OF THIS OR ANY OTHER WARRANTY, EXPRESSED OR IMPLIED, WHATSOEVER.**

Some states do not allow the exclusion or limitations of incidental or consequential damages, so the above exclusion may not apply to you.

This limited warranty is valid and enforceable only in the United States of America and Canada on units owned and normally operated in the United States of America. (Including Canada) This warranty gives you specific legal rights and you may also have other rights, which vary from state to state.

### Warranty Service

To obtain warranty service, contact your nearest authorized dealer or call the Service Department at **1-888 AQUATECH (278-8324)** to arrange warranty repair work. You may also e-mail us at **Commercial@AquaJet.us**

### **RISK OF ELECTRIC SHOCK-DO NOT OPEN**

**CAUTION: TO REDUCE THE RISK OF ELECTRIC SHOCK, DO NOT REMOVE ANY SCREWS. THERE ARE NO USER-SERVICEABLE PARTS INSIDE. REFER SERVICING TO QUALIFIED SERVICE PERSONNEL.**

**WARNING: Improper connection of the polarized 3-prong grounding type outlet can result in a risk of electric shock. Check with a qualified electrician or service person if you are in doubt as to whether the outlet is properly grounded. Do not modify the plug provided with the cleaner if it will not fit the outlet. Have a proper outlet installed by a qualified electrician.**

**To protect your electrical system and cleaner, a Ground Fault Current Interrupter (GFCI) should be installed.**