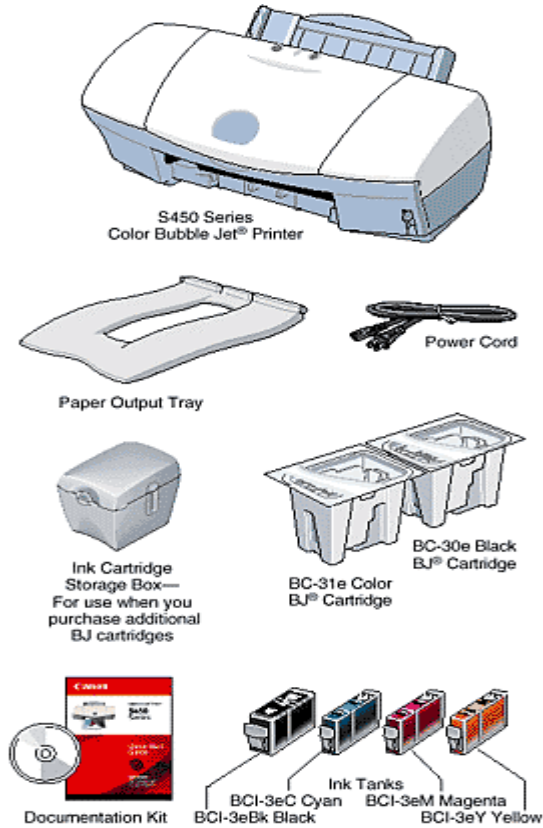


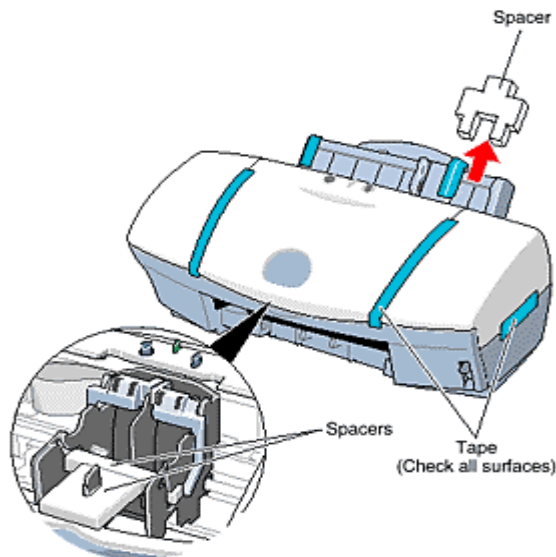
S450 Setup Instructions

Step 1: Unpack The Printer

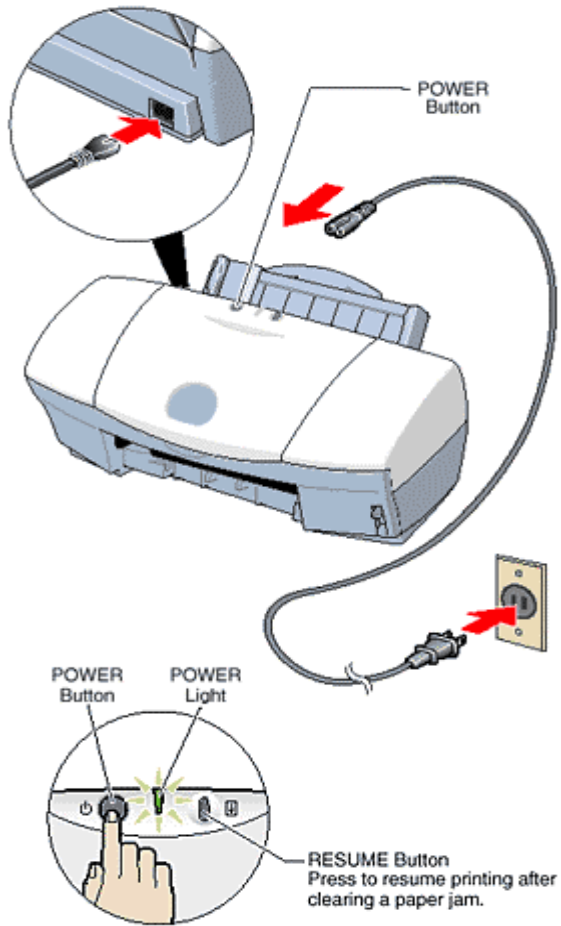
1. Carefully remove all items from the box.



2. Remove all shipping tape and materials from the unit. Open the front cover and remove the spacers.

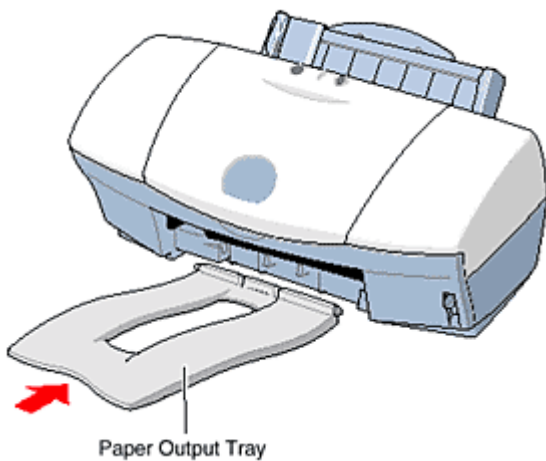


Step 2: Plug In and Turn On the Printer



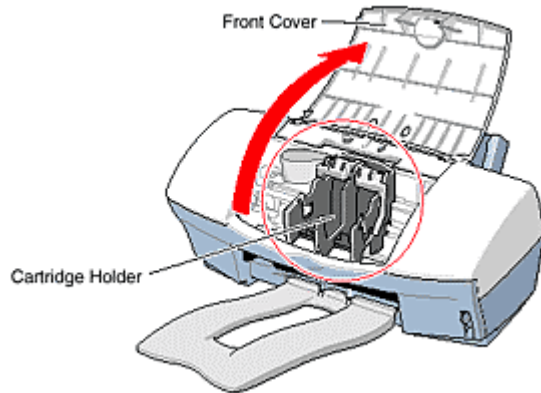
Important! DO NOT connect the printer interface cable at this time.

Step 3: Attach the Paper Output Tray

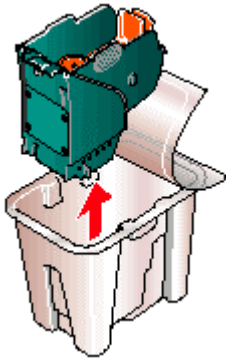


Step 4: Install The BJ® Cartridge

1. Lift up the front cover.

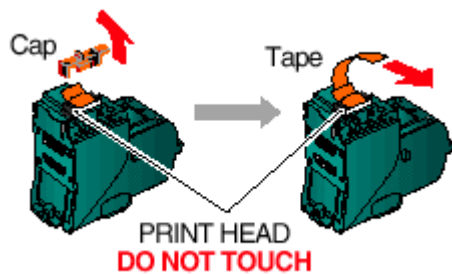


2. Remove the BC-31e Color BJ Cartridge from its package.

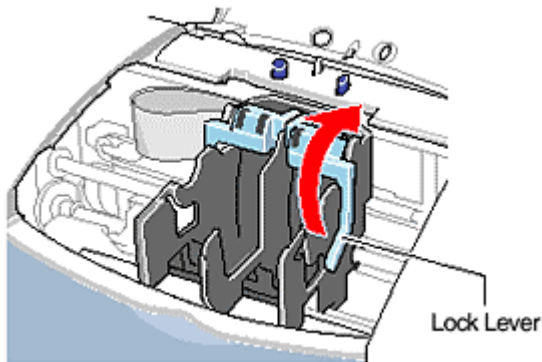


3. Remove:

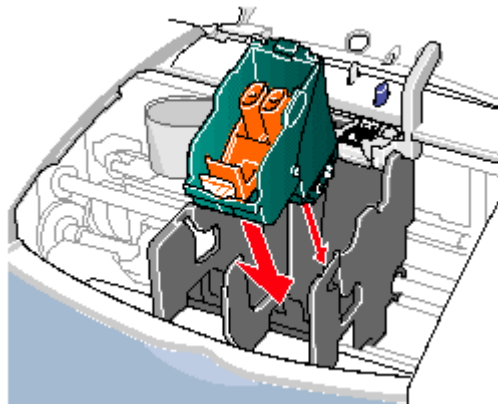
- Orange cap
- Orange tape



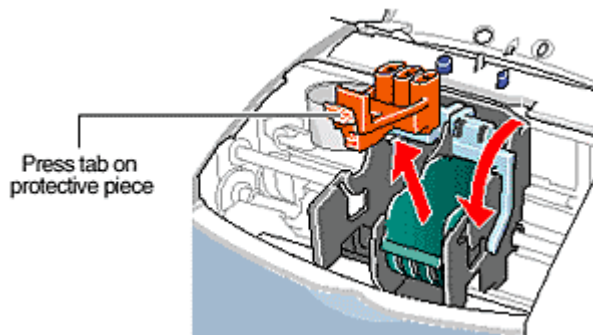
4. Raise the blue lock lever on the right side of the cartridge holder.



5. Insert the BC-31e Color BJ Cartridge into the right cartridge holder.



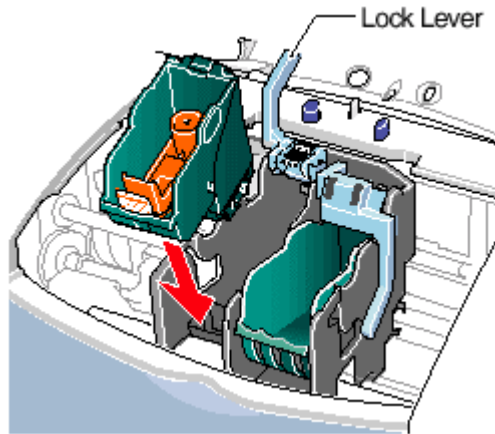
6. Lower the blue lock lever until it locks into place, then remove the large orange protective piece.



7. Repeat these steps to prepare the BC-30e Black Cartridge.

Remove all pieces of shipping tape from the outside of the printer. Be sure to remove the tape from the back of the printer also.

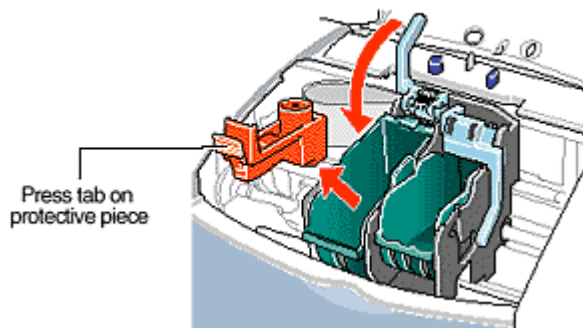
Remove the protective plastic piece from the sheet feeder and protective foam block from the paper path.



Note that tape may not be in the exact locations shown here.

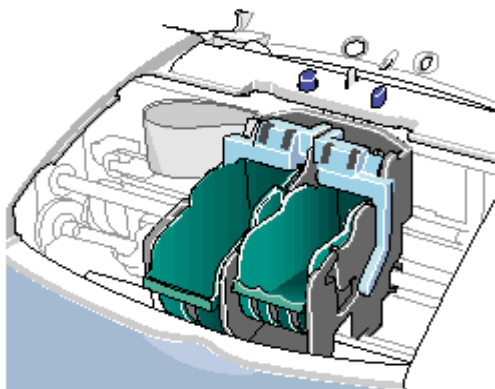
8. Open the document tray.

Insert the black cartridge into the left cartridge holder.

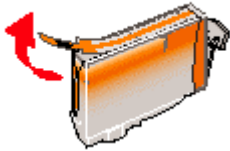


Step 5: Insert the Ink Tanks

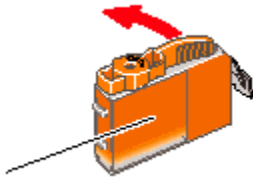
1. Start with the BCI-3eY (Yellow) Ink Tank.



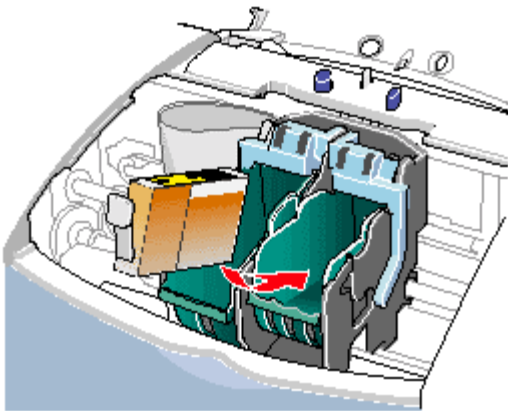
2. Pull up the orange tape and remove the plastic wrapper.



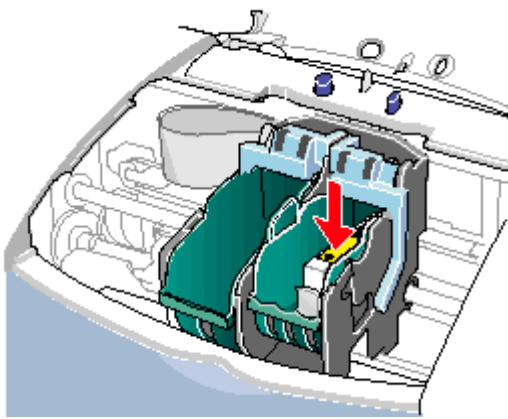
3. Twist off the protective orange cap.
To prevent spills, do not press the side of the Ink Tank.



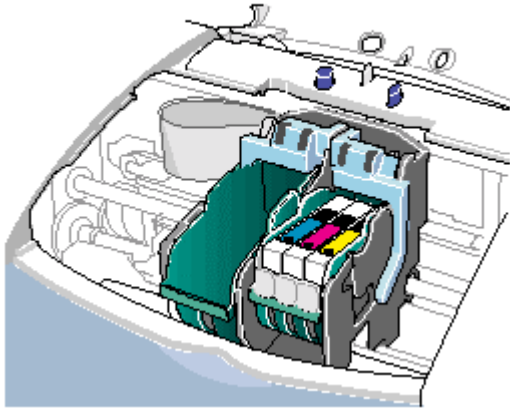
4. Insert the Ink Tank into the slot on the right.



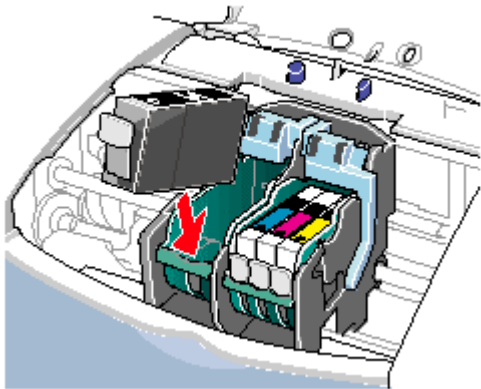
5. Press down until the Ink Tank locks into place.



6. Insert the BCI-3eM Magenta and BCI-3eC Cyan Ink Tanks into their respective slots in the cartridge.

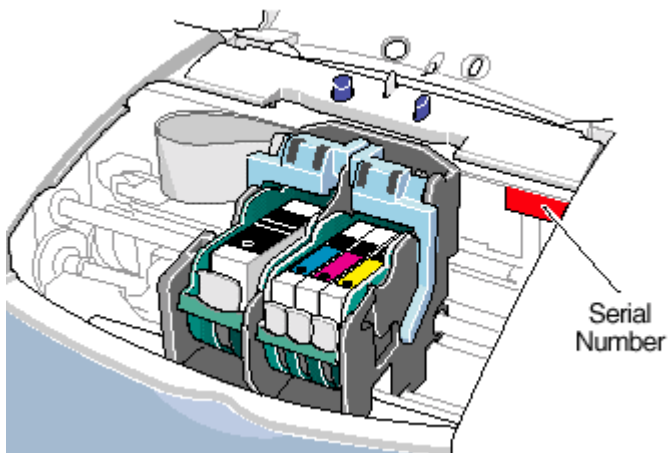


7. Insert the black Ink Tank into the cartridge on the left.



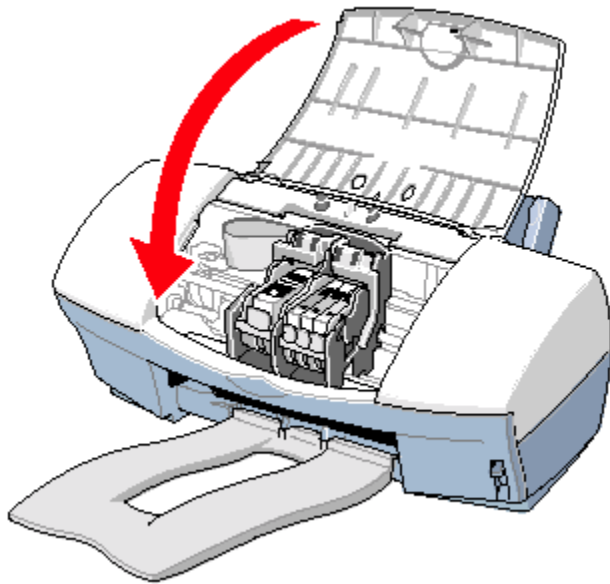
8. **Important!**

Before you close the front cover, write down the **serial** number (located inside the printer to the right of the cartridge holder).



9. Close the front cover.

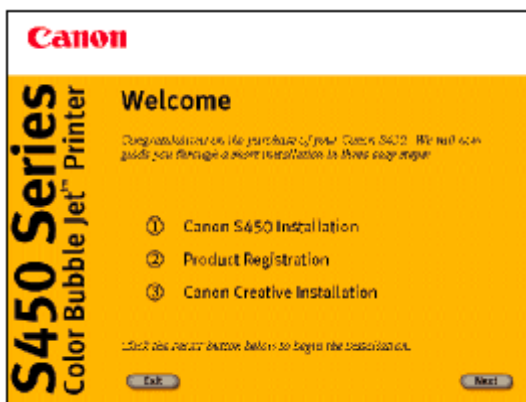
The printer automatically cleans the print heads which takes approximately 30-60 seconds. When the POWER light stops flashing, the printer is ready.



Step 6: Install the Printer Software - Choose Installation A, B, or C

A - Windows ® 95, Windows 98, Windows Me, and Windows NT 4.0 Users

1. Connect either a USB or parallel cable to the computer, but DO NOT connect it to the printer. (Port location depends on the computer.)
2. Turn on the computer.
3. Insert the Canon Creative CD-ROM into your CD-ROM drive. Wait for your CD-ROM drive to start up.



4. When you see this screen, click Next.

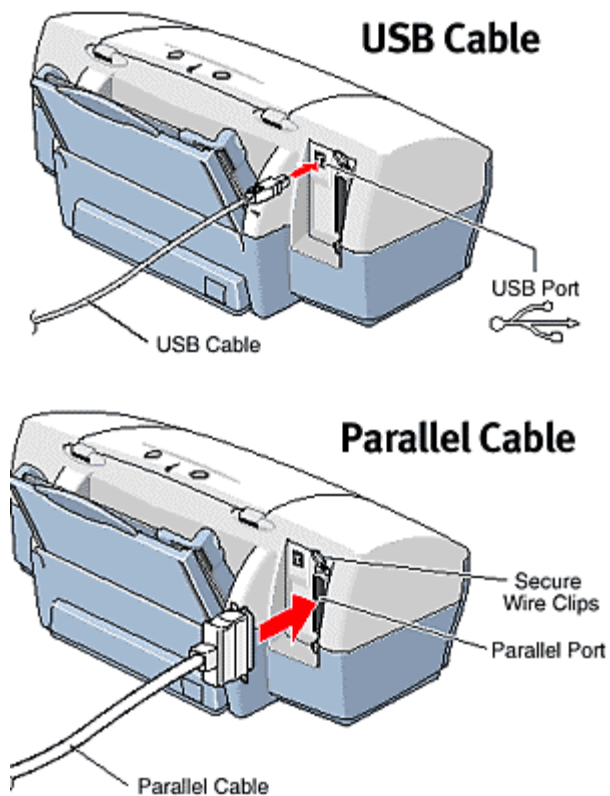
If you do not see this screen, see the Installation Tips following step 6B.

5. When you see this screen, connect your interface cable to the printer.



6. Connect the free end of the USB or parallel cable to the printer.

USB Cable Users: Please wait a few minutes while your computer performs steps necessary for completing USB installation.



7. After connecting the interface cable, click Next.

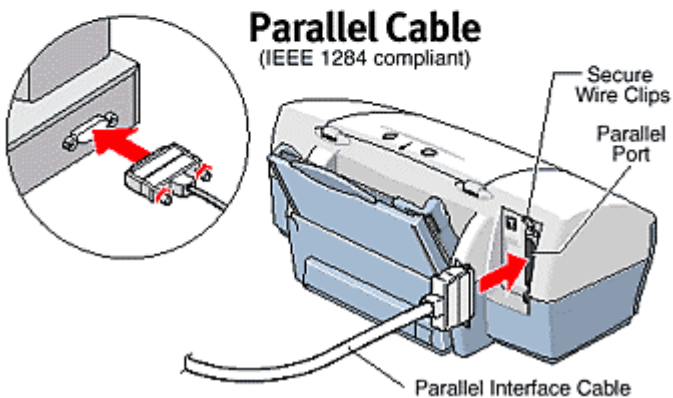
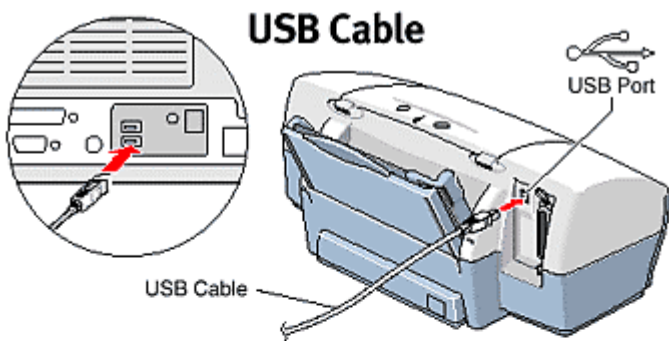
8. Continue to follow the on-screen instructions. Setup includes:

- Canon S450 Installation
- Product Registration
- Canon Creative Installation

9. After installing software, you may be asked to restart your computer.

B - Windows 2000 Users

1. Connect either a USB or parallel cable to the computer (port location depends on the computer), and then connect it to the printer.



2. Turn on the computer.

3. The Found New Hardware Wizard screen appears. Click Next.

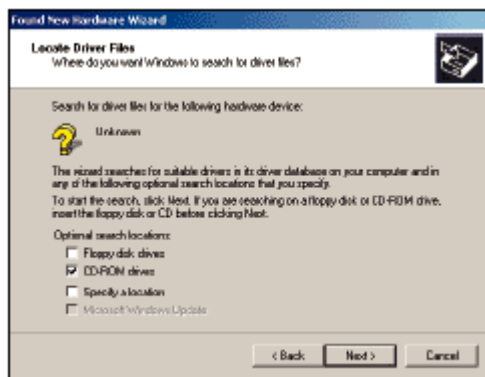
Note: If you do not see this screen, skip to step 8.



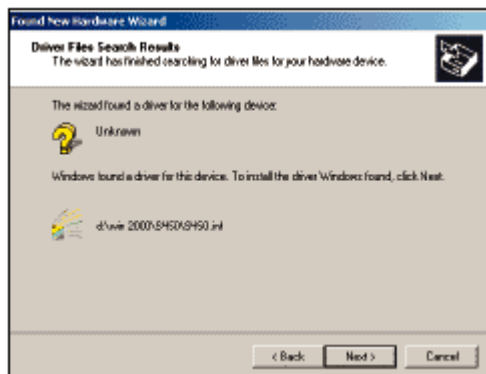
4. When this screen appears, choose "Search for a suitable driver for my device," and click Next.



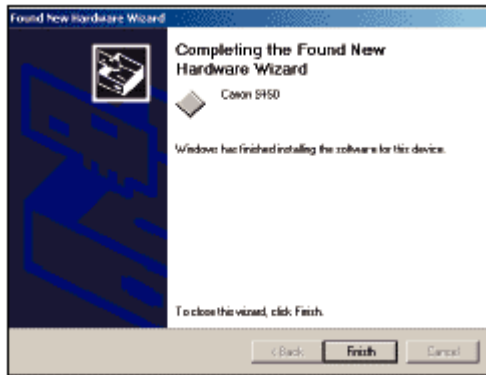
5. Click the "CD-ROM drives" checkbox; be sure to uncheck the other options. Insert the Canon Creative CD-ROM into your CD-ROM drive and wait for the drive to start up. Then click Next.



6. Once the driver is found, this screen appears. Click Next.

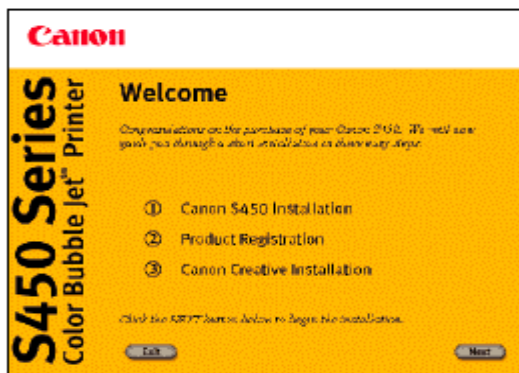


7. The next screen shows successful completion of this installation. Click Finish.



8. Setup starts automatically. Follow the on-screen instructions. Setup includes:

- Canon S450 Installation
- Product Registration
- Canon Creative Installation



9. After installing software, you may be asked to restart your computer.

For All Windows Users

Installation Tips

If Setup does not start automatically, click Start on the Windows taskbar and then click Run.

Type X:\SETUP (where X: is your CD-ROM drive). Then click OK.

If you do not see this screen, eject the CD-ROM and re-insert it. Then follow the

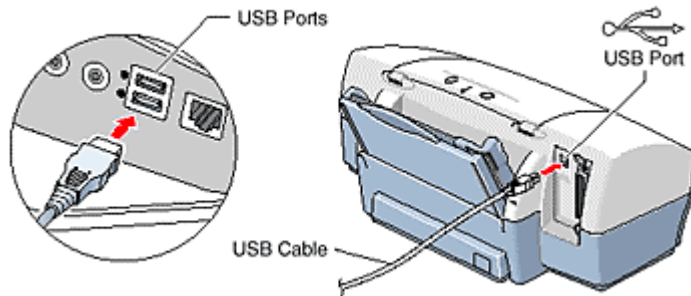
instructions on the screen.

After installation, make sure the S450 is set as your default printer. Simply click Start, Settings, and then Printers.

Right-click on the Canon S450 icon and make sure there is a check mark next to "Set As Default."

C - Macintosh ® Users

1. Connect the USB cable to the computer and then to the printer.



2. Turn on the computer, and insert the Canon Creative CD-ROM into your CD-ROM drive. The following screen appears:



3. Click on the "Install S450 Series Printer Drivers." The License Agreement screen appears.

4. Follow the on-screen instructions.

5. After driver installation, you must reboot the system. Click the Restart button when you see the "Installation was successful" screen.

6. After rebooting, the opening screen appears, allowing you to proceed with other portions of the installation process.

7. Once installation is complete, be sure to go to the Chooser menu (under the Apple ® icon) and select the S450 as the default printer.

