

brother®

OWNER'S MANUAL

FAX-8350P

MFC-9650

FAX-8750P

FAX-8350P MFC-9650 FAX-8750P

Available Models for each country

| | |
|----------------|--------------------------------|
| U.K. | FAX-8350P, MFC-9650, FAX-8750P |
| Ireland | FAX-8350P |
| Others | MFC-9650 |

Congratulations on purchasing your Brother Fax machine.

Please set up your machine as follows — refer to the Owner's Manual for further information.

<Installation - Chapter 2>

1. Check the Packing List
2. Install the Drum Unit
3. Install the Phone Line and Power Cord
4. Attach Document Tray and Support wire
5. Loading Paper
6. Connect External Telephone (Only if you are sharing one line for both telephone and fax)

<Initial Setup - Chapter 4>

7. Set Date and Time
8. Set Station ID

<Setup Receive - Chapter 5>

9. Select an Answer mode

<Setting Up the Machine and Computer to Work Together - Chapter 12> (For MFC-9650 and FAX-8750 PC user Only)

10. Connecting Brother Machine to PC

Pan European Approvals Information

This product has been granted a Pan-European Approval via KCS in the Netherlands. It is designed to interwork with the basic network functions for facsimile and telephony in most European countries. However, since there are still network differences between countries, other features such as caller ID, will only work in the specific country for which this product was produced.

If you experience any difficulties when connecting this product, please contact your nearest Brother Office or supplier, as detailed in the warranty documentation for this product.

Table of Contents

| | | | |
|----------|------------------------------|---|---------------------------|
| 1 | Introduction | Using This Manual | 1 |
| | | Finding Information | 1 |
| | | Symbols Used in This Manual | 2 |
| | | About Fax Machines | 2 |
| | | Fax Tones and Handshake | 2 |
| | | ECM (Error Correction Mode) | 3 |
| | | FAX-8350P Control Panel Overview | 4 |
| | | MFC-9650 Control Panel Overview | 6 |
| | | FAX-8750P Control Panel Overview | 8 |
| | 2 | Installation | Packing List |
| | | Choosing a Location | 12 |
| | | Caution | 13 |
| | | Assembly | 13 |
| | | Install the Drum Unit Assembly (with Toner Cartridge) | 13 |
| | | Attach the Trays | 15 |
| | | Loading Paper in Multi-purpose Paper Cassette | 16 |
| | | Acceptable Paper | 17 |
| | | Manual Feed Slot | 17 |
| | | Acceptable Paper | 18 |
| | | Setting Up the Machine | 18 |
| | | Multi-Line Connections (PABXs) | 20 |
| | | If you are installing the machine to work with a PABX: | 20 |
| | | Ringer Equivalence Number (REN) | 20 |
| | | Using Extension Telephones | 21 |
| | | Connecting an External Telephone Answering Device (TAD) | 22 |
| | | Sequence | 22 |
| | | Connections | 22 |
| | | Outgoing Message (OGM) of External TAD | 23 |
| | | Connecting an External Telephone | 23 |
| 3 | On-Screen Programming | User-Friendly Programming | 25 |
| | | Function Mode | 25 |
| | | Function Selection Table | 26 |

4 Initial Setup

| | |
|--|----|
| Getting Started | 31 |
| Setting the Dialling Mode (Tone/Pulse) | 31 |
| Setting the Date and Time | 31 |
| Setting the Station ID | 32 |
| Entering Text | 34 |
| Inserting Spaces | 34 |
| Making Corrections | 34 |
| Repeating Letters | 34 |
| Special Characters and Symbols | 34 |
| Setting the Beeper Volume | 35 |
| PABX and TRANSFER | 35 |
| Setting PABX | 35 |
| Setting the Clock Change | 36 |
| Sleep Mode | 36 |
| Power Save | 36 |
| Setting the Speaker Volume | 37 |
| Setting the Ring Volume | 37 |
| Memory Storage | 37 |
| Memory Security (Only for FAX-8350P/FAX-8750P) | 37 |
| Using Memory Security | 38 |
| Setting Up Memory Security for the First Time | 38 |
| Changing the Memory Security Password | 39 |
| Switching Memory Security ON | 39 |
| Switching OFF Memory Security | 40 |

5 Setup Receive

| | |
|--|----|
| Basic Receiving Operations | 41 |
| Select Answer Mode | 41 |
| Manual Reception (Manual Mode) | 42 |
| Automatic Fax Only Reception (Fax Mode) | 42 |
| Setting the Ring Delay | 43 |
| Setting the F/T Ring Time | 43 |
| Fax Detect (with an External Telephone) | 44 |
| Printing a Reduced Incoming Document | 44 |
| Reception into Memory | 45 |
| Setting the Print Density | 46 |
| Toner Save | 46 |
| Lower Tray | 46 |
| Setting Lower Tray | 46 |
| Advanced Receiving Operations | 47 |
| Operation from an External or Extension (For FAX-8350P/MFC-9650 Only) Telephone | 47 |
| For Fax/Tel (F/T) Mode Only | 48 |
| Changing Remote Codes | 48 |
| To change Remote Codes | 48 |
| Printing a Fax from Memory | 49 |

| | |
|---|----|
| BT Call Sign (For U.K. Only) | 49 |
| Set the BT Call Sign | 49 |
| Polling | 50 |
| Secure Polling | 50 |
| Setup for Polling Receive | 50 |
| Setup for Polling Receive with Secure Code | 51 |
| Setup Delayed Polling Receive | 51 |
| Sequential Polling | 52 |
| Setting PC Interface Mode (Only for MFC-9650/FAX-8750P) | 53 |
| Before You Begin | 55 |
| Resolution | 56 |
| Contrast | 56 |
| Automatic Transmission | 57 |
| Manual Transmission (with an External Telephone) | 57 |
| Fax Redial | 57 |
| Dual Access | 58 |
| Real Time Transmission | 58 |
| Basic Sending Operations | 59 |
| Composing an Electronic Cover Page | 59 |
| Cover Page for Next Fax Only | 60 |
| Always Send Cover Page | 61 |
| Using a Printed Cover Page | 62 |
| Cover Page Message | 62 |
| Composing Your Own Comments | 62 |
| Advanced Sending Operations | 63 |
| Overseas Mode | 63 |
| Call Reservation (with an External Telephone) | 63 |
| Print Sample Call Back Message | 65 |
| Delayed Transmission (Timer) | 65 |
| Delayed Batch Transmission | 66 |
| Broadcasting | 66 |
| Multiple Resolution Transmission | 67 |
| Setup for Polling Transmit | 68 |
| Setup for Polling Transmit with Secure Code | 68 |
| Cancelling a Job While Scanning the Document | 69 |
| Cancelling a Job in Memory | 69 |
| Interrupting Delayed Fax and Polling Transmit Jobs | 70 |
| Storing Numbers for Easy Dialling | 71 |
| Storing One Touch Dial Numbers | 71 |
| Storing Speed Dial Numbers | 72 |
| Changing One Touch and Speed Dial Numbers | 73 |
| Setting Up Groups for Broadcasting | 73 |



Setup
Send



Setup
Quick-Dial
Numbers

8 Telephone (Voice) Operation

| | |
|--|----|
| Making Voice Calls with an External Telephone | 75 |
| Manual Dialling with an External Telephone | 75 |
| One Touch Dialling | 75 |
| Speed Dialling | 76 |
| Pause | 76 |
| On Hook Dialling | 76 |
| Searching Telephone Index | 76 |
| Chain Dialling | 77 |
| Tone/Pulse | 77 |
| Fax/Tel (F/T) Mode | 77 |
| Tel Key | 78 |

9 Remote Fax Options

| | |
|--|----|
| Setting Fax Storage | 79 |
| Fax Forwarding | 80 |
| Programming a Fax Forwarding Number | 80 |
| Changing the Remote Access Code | 80 |
| Remote Retrieval | 81 |
| Using Your Remote Access Code | 81 |
| Remote Commands | 81 |
| Change Fax Forwarding Setting | 81 |
| Retrieve a Fax | 82 |
| Check the Receiving Status | 82 |
| Change Answer Mode | 82 |
| Exit Remote Operation | 82 |
| Retrieving the Memory Status List | 83 |
| Retrieving Fax Messages | 83 |
| Changing the Fax Forwarding Number | 84 |

10 Printing Reports

| | |
|---|----|
| Machine Settings and Journal | 85 |
| To Print a Report | 86 |
| Transmission Verification (Xmit) Report | 86 |
| Journal Period | 87 |
| Order Form | 87 |

11 Making Copies

| | |
|---|----|
| Using Your Machine as a Copier | 89 |
| Copy Contrast | 90 |
| Making a Single Copy | 90 |
| Making Multiple Copies | 90 |
| Stacking Multiple Copies | 90 |
| Sorting Multiple Copies | 91 |
| If You Get a Memory Full Message | 91 |
| Reducing and Enlarging Copies | 91 |
| Copying a Photograph | 92 |

Setting Up the Machine and Computer to Work Together

(For MFC-9650/FAX-8750P Only)

| | |
|---|-----|
| Using Brother Machine with Your PC | 93 |
| Before You Install Multi-Function Link® Unimessage Pro | 94 |
| Computer Requirements | 94 |
| Using a USB Cable to Connect Brother Machine to PC for MFC-9650 (Using Windows® 98 Only) | 95 |
| Installing Brother Software Using a USB Cable | 96 |
| Connecting Brother Machine to PC With a USB Cable for FAX-8750P (For Using Windows® 98 Only) | 103 |
| Installing Brother Printer Driver Using USB Cable | 104 |
| Installing True Type Fonts | 107 |
| For Windows® 95/98 and Windows NT® Workstation | |
| Version 4.0: | 107 |
| Software for your MFC-9650/FAX-8750P | 108 |
| Software/Drivers | 108 |
| Connecting Brother Machine to PC Using Parallel Cable | 109 |
| Notice to PC Users (For FAX-8750P Only) | 110 |
| How to Attach the Filter Core to the Double Shielded Parallel I/f Cable: | 110 |
| Installing the Software/Drivers under Windows® for MFC-9650 | 111 |
| Installing FAX-8750P Printer Driver | 112 |
| If you are using Windows NT® Workstation Version 4.0: | 112 |
| If you are using Windows® 95 or 98: | 113 |
| Installing the Maintenance Utility on MS-DOS® | 114 |
| How to Use the MFC with Your DOS Application Software | 114 |
| What Does the Remote Printer Console Do? | 114 |
| Remote Printer Console Main Program | 114 |
| Printer Status Monitor Program | 115 |
| Installing the Remote Printer Console | 115 |
| Running the Remote Printer Console Main Program | 116 |

Using the Machine as a Printer

(For MFC-9650/FAX-8750P Only)

| | |
|--|-----|
| Special Printing Features | 117 |
| Windows® Printing | 117 |
| Alternate Printer Emulation Support | 117 |
| Remote Printer Console Program for DOS | 117 |
| Bi-directional Parallel Interface | 118 |
| Enhanced Memory Management | 118 |
| Printing From Your PC | 118 |
| Paper Cassette | 118 |
| Two-Sided Printing (Manual Duplexing) | 119 |
| Manual Feed Slot | 119 |
| Loading One Sheet of Paper | 119 |
| Loading more than One Sheet of Paper | 120 |
| Printing on Thicker Paper and Card Stock | 121 |
| Face Down Output Bin | 122 |
| Simultaneous Printing/Faxing | 122 |

| | | |
|--|--|-----|
| | Printer Operation Keys (For MFC-9650 Only) | 123 |
| | On/Off Line Key | 123 |
| | FF/Cont Key | 123 |
| | Test/Reset Key | 123 |
| | Print Priority Key | 123 |
| | Printer Menu Functions | 124 |
| | Printing the Internal Font List | 124 |
| | Printing the Print Configuration List | 124 |
| | Restoring Factory Default Settings | 124 |
| | Printing PC Data in Hexadecimal | 124 |
| | Acceptable Paper | 125 |
| | Memory Board | 127 |
| | Optional Memory for the Fax Operations | 127 |
| | For the Fax | 127 |
| | Optional Paper Tray | 128 |
| | Network (LAN) Board (For MFC-9650 and FAX-8750P Only) | 128 |
| | Important Safety Instructions | 129 |
| | IEC 825 Specification | 131 |
| | Radio Interference (For 220-240 V Model Only) | 132 |
| | For Your Safety | 132 |
| | IEC 825 Laser Class | 132 |
| | Disconnect device | 132 |
| | IMPORTANT | 132 |
| | Troubleshooting | 133 |
| | Error Messages | 133 |
| | Document Jam | 136 |
| | Printer Jam | 136 |
| | Paper is Jammed in the Multi-purpose Paper Cassette | 137 |
| | Paper is Jammed near the Drum Unit | 137 |
| | Paper is Jammed in the Fuser Unit | 138 |
| | If You Are Having Difficulty with Your Machine | 139 |
| | Problem Using Applications which Use Special Comms Drivers, such as the HP Pavilion PC and the “HP DEMO” Screen Saver | 144 |
| | Bi-directional Parallel Ports (nibble and byte modes) | 144 |
| | The Machine Connect Failure or Bi-directional Communication Error | 145 |
| | Brother HL-6/6V/10h/630series/660series/960/1260/WL-660: ... | 145 |
| | HP LaserJet series II, IID, IIP, IIP+, III, IIID or IIP: | 145 |
| | HP LaserJet 4 Plus: | 146 |
| | NEC SuperScript 610/660: | 146 |
| | EPSON ActionLaser 1100/1400: | 146 |
| | Lexmark WinWriter 200: | 146 |

Optional Accessories

Important Information

Troubleshooting and Maintenance

| | |
|--|-----|
| Graphics or Text is Missing when the Document is Printed | 147 |
| Packing and Shipping the Machine | 148 |
| Regular Maintenance | 150 |
| Cleaning the Scanner | 150 |
| Cleaning the Printer | 151 |
| Cleaning the Drum Unit | 152 |
| Replacing the Toner Cartridge | 153 |
| Toner Empty Indicator | 153 |
| Steps for Replacing Toner Cartridge | 154 |
| Drum Life Considerations for Your Brother Fax Machine | 157 |
| Replacing the Drum Unit | 158 |
| Specifications | 161 |
| Printer Specifications | 162 |
| Electrical and Environment | 163 |
| PARALLEL INTERFACE SPECIFICATIONS | |
| (For MFC-9650/FAX-8750P Only) | 164 |
| RESIDENT FONTS | 164 |
| | |
| Glossary | 167 |
| | |
| Index | 171 |
| | |
| Accessory List | 175 |

Ordering Accessories and Supplies

For the best quality results use only genuine Brother accessories. These are available from most Brother dealers or alternatively you can contact our mail order department on telephone number 0161 931 2258 or Fax number 0161 931 2218.

| Description | Model Name |
|--------------------|---------------------|
| TN-6300 | Laser Fax Toner |
| TN-6600 | Laser Fax Toner |
| DR-6000 | Laser Fax Drum |
| LT-400 | Optional Paper Tray |
| *ME-2050 | 2MB memory Board |
| *ME-4050 | 4MB memory Board |
| **NC-8000 | Network (LAN) Board |

* Optional memory board are not available for FAX-8750P.

** Network (LAN) Board is not available for FAX-8350P.

CHAPTER ONE
.....

Introduction

Using This Manual

Thank you for purchasing a Brother fax machine.

This machine has been designed to be simple to use, with LCD screen prompts to guide you through functions. However, you can use your machine to its fullest potential by taking a few minutes to read this manual.



Additionally, your machine has a Help Key. Press **Help/Broadcast** **Help** to print a list of basic operational steps and functions.

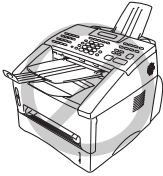
Finding Information

All chapter headings and subheadings are listed in the Table of Contents. You will also be able to find information about a specific feature or function by checking the Index at the back of this manual. Also, throughout this manual, you'll see special symbols alerting you to important information, cross-references, and warnings. Illustrations of some screen displays also help you choose the correct key-presses.

Symbols Used in This Manual



Note or additional information.



The machine may be damaged or may not work correctly if this is not observed.



Warning. Damage can result if this is not observed.

About Fax Machines

If you're a first-time fax machine user, fax operation might seem a little mysterious. You'll soon get used to the unusual fax tones on your phone line, and be able to send and receive faxes easily.

Fax Tones and Handshake

When someone is sending a fax, the fax machine sends fax calling tones, (CNG tones)—soft, intermittent beeps at 4-second intervals. You'll hear them when you dial and press **Start**, and they continue for about 40 seconds after dialling. During that time, the sending machine must begin the “handshake” with the receiving machine. Each time you use automatic procedures to send a fax, you are sending CNG tones over the phone line. You'll soon learn to listen for these soft beeps each time you answer a phone on your fax line, so you can know if you are receiving a fax message.

The receiving fax responds with fax receiving tones—loud, chirping sounds. A receiving fax chirps for about 40 seconds over the phone line, and the screen displays **RECEIVING**. If your fax machine is set to the Fax Only Mode, it will answer every call automatically with fax receiving tones. Even if the other party hangs up, your fax machine continues to send the “chirps” for about 40 seconds, and the screen continues to display **RECEIVING**. To cancel the receiving mode, press **Stop**

When your fax machine is in Fax/Tel (F/T) Mode, it answers with a short beep. After this beep, the fax machine listens for CNG tones, and then responds with receiving tones.

The fax “handshake” is the time in which the sending machine’s CNG tones and the receiving machines “chirps” overlap. This must be for at least 2 to 4 seconds, so the fax machines can understand how each is sending and receiving the fax. The handshake cannot begin until the call is answered, and the CNG tones only last for about 40 seconds after the number is dialed. Therefore, it’s important for the receiving machine to answer the call in as few rings as possible.



When you have an external telephone answering device (TAD) on your fax line, your TAD will determine the number of rings before the call is answered. Pay special attention to the directions in the Installation chapter for connecting a TAD (or answering machine) to your fax machine.

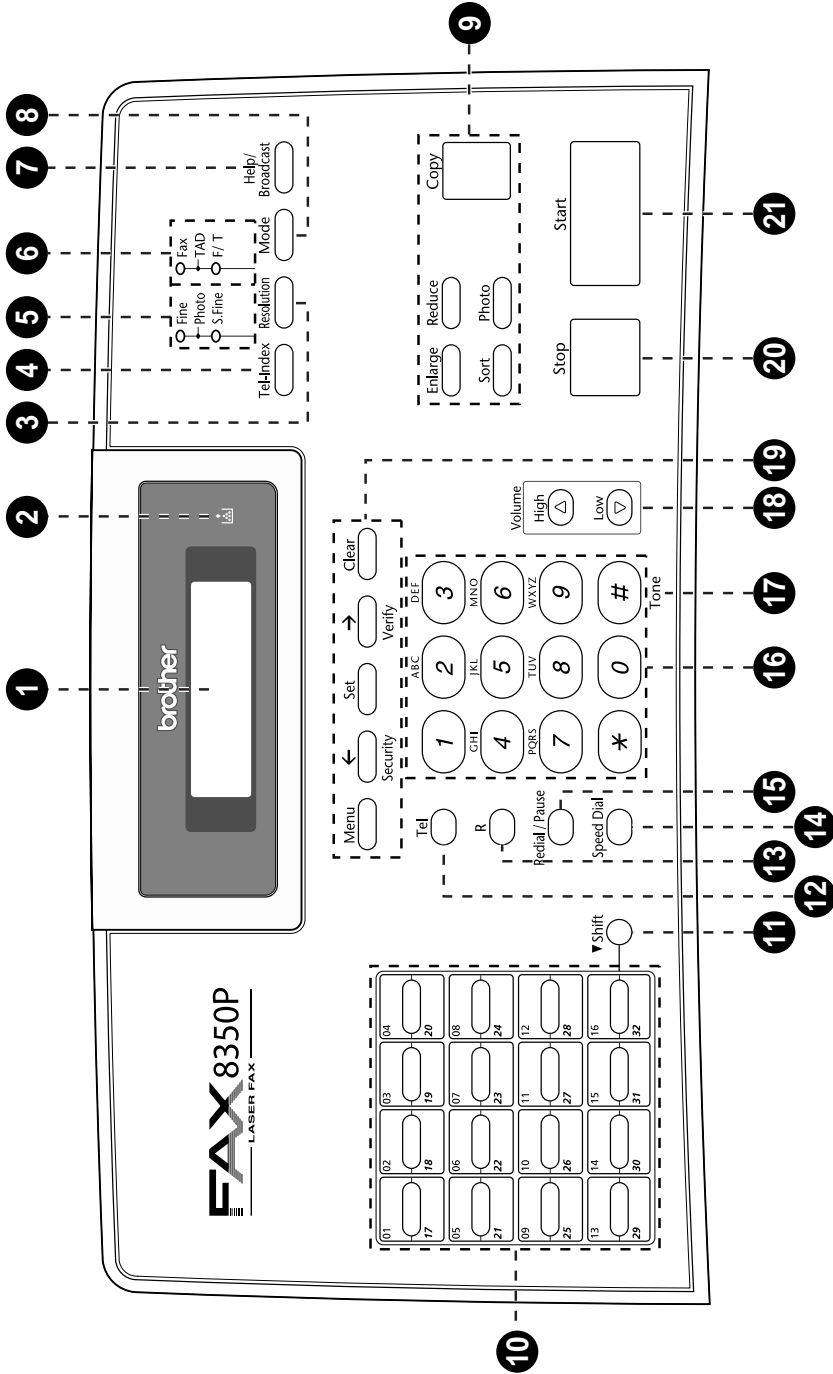
ECM (Error Correction Mode)

The Error Correction Mode (ECM) is a way for the fax machine to check the integrity of a fax transmission while it is in progress. ECM transmissions are possible only between machines that both have the ECM feature. If they do, you may send and receive fax messages that are continuously checked for their integrity.

Sufficient memory must be available in your machine for this feature to work.

FAX-8350P

Control Panel Overview



1 Liquid Crystal Display

Displays messages to help you set up and operate your machine.

2 Toner Empty LED

The Toner Indicator flashes on and off when toner is low, so you'll know to order another toner cartridge. You will still be able to print until the Indicator stays on.

3 Resolution

Sets the resolution when you send a fax.

4 Tel-Index

Lets you look up numbers stored in the dialling memory.

5 Resolution Indicator Lights

These LEDs show the resolution mode you selected.

6 Answer Mode Indicator Lights

These LEDs show how the machine will handle incoming calls.

7 Help/Broadcast

Prints a quick reference Help List. Also use this key when you want to send a fax to several different locations (maximum 182 locations at once).

8 Mode

Select how the fax machine will handle incoming calls.

9 Copy Function Keys:**Enlarge**

Enlarges copies depending on the ratio you select: 100%, 120%, 125%, 150%, 200% and MANUAL.

Sort

Use this key when you want multiple copies of a multiple page original, copied in order.

Photo

This key is used to copy photographs.

Reduce

Reduces copies depending upon the ratio you select: AUTO, 100%, 50%, 75%, 87%, 93% and MANUAL. AUTO sets the machine to calculate automatically the reduction ratio that fits the size of your paper. MANUAL allows you to enter the reduction ratio from 50%–100% using increments of 1%.

Copy

Makes a copy.

10 One Touch Dial Keys

These 16 keys give you access to 32 previously stored phone numbers.

11 Shift

This key is used to access the "17" through "32" One Touch keys.

12 Tel (Telephone)

This key is used to have a telephone conversation having picked up the external handset in F/T pseudo-ringing etc.

13 R (Recall)

Use this key to gain access to an outside line and/or to recall the operator or transfer a call to another extension when it is connected to a PABX.

14 Speed Dial

Lets you dial stored phone numbers by pressing a two-digit number.

15 Redial/Pause

Re-dials the last number called. Also inserts a pause in autodial numbers.

16 Dial Pad

Dials phone and fax numbers and can be used as a keyboard for entering information into the machine.

17 Tone

Lets you switch the dialling type during a telephone call from PULSE to TONE.

18 Volume High / Low

Lets you adjust speaker and ring volume.

19 Programming Keys:**Menu**

Lets you access the function and programming mode.

← (Left Arrow) / Security

Moves the LCD cursor to the left and displays the previous menu option/function. When the machine is idle, you can also use this key to prohibit most functions except receiving faxes into memory.

Set

Stores a function setting into the machine.

→ (Right Arrow) / Verify

Moves the LCD cursor to the right and displays the next menu option/function. When the machine is idle, you can also use this key to print the Transmission Verification Report for your last transmission.

Clear

Deletes entered data or moves back one step in function procedure.

20 Stop

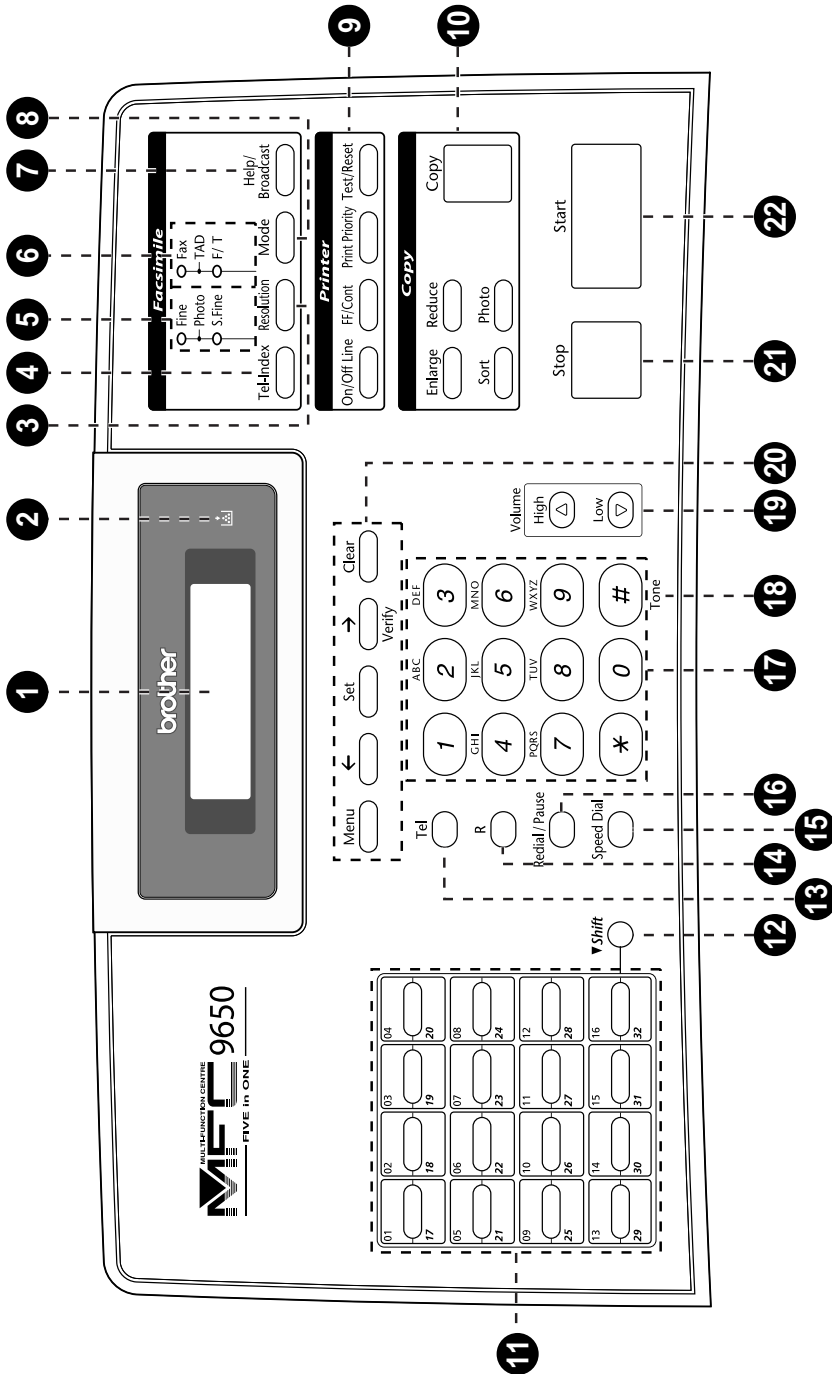
Stops a fax, cancels an operation or exits from function mode.

21 Start

Starts sending a fax.

MFC-9650

Control Panel Overview



1 Liquid Crystal Display

Displays messages to help you set up and operate your machine.

2 Toner Empty LED

The Toner Indicator flashes on and off when toner is low, so you'll know to order another toner cartridge. You will still be able to print until the Indicator stays on.

3 Resolution

Sets the resolution when you send a fax.

4 Tel-Index

Lets you look up numbers stored in the dialling memory.

5 Resolution Indicator Lights

These LEDs show the resolution mode you selected.

6 Answer Mode Indicator Lights

These LEDs show how the machine will handle incoming calls.

7 Help/Broadcast

Prints a quick reference Help List. Also use this key when you want to send a fax to several different locations (maximum 182 locations at once).

8 Mode

Select how the machine will handle incoming calls.

9 Printer Function Keys:**On/Off Line**

This key is used to turn the printer online (ready to receive PC data) and offline (not ready to receive PC data) alternately. When the printer is online, the LCD displays **ONLINE**.

FF/Cont

When the LCD shows **REMAINED DATA**, you can turn the machine **OFFLINE** and then press this key to print the data that is in the memory. Also, it clears some operation and machine errors.

Print Priority

Press this key if you want to print PC data without interruption from incoming faxes. Faxes will be stored and can be printed later.

Test/Reset

This key is used to print a test page. When it is pressed together with **Shift**, it clears the data from the printer memory, cancels an error status, and then resets to the factory default settings.

10 Copy Function Keys:**Enlarge**

Enlarges copies depending on the ratio you select: 100%, 120%, 125%, 150%, 200% and **MANUAL**.

Sort

Use this key when you want multiple copies of a multiple page original, copied in order.

Photo

This key is used to copy photographs.

Reduce

Reduces copies depending upon the ratio you select: **AUTO**, 100%, 50%, 75%, 87%, 93% and **MANUAL**. **AUTO** sets the machine to calculate automatically the reduction ratio that fits the size of your paper. **MANUAL** allows you to enter the reduction ratio from 50%–100% using increments of 1%.

Copy

Makes a copy.

11 One Touch Dial Keys

These 16 keys give you access to 32 previously stored phone numbers.

12 Shift

This key is used to access the "17" through "32" One Touch keys. In the printer mode when **Shift** is pressed together with **Test/Reset**, it resets the machine to the factory default settings.

13 Tel (Telephone)

This key is used to have a telephone conversation having picked up the external handset in F/T pseudo-ringing etc.

14 R (Recall)

Use this key to gain access to an outside line and/or to recall the operator or transfer a call to another extension when it is connected to a PABX.

15 Speed Dial

Lets you dial stored phone numbers by pressing a two-digit number.

16 Redial/Pause

Re-dials the last number called. Also inserts a pause in autodial numbers.

17 Dial Pad

Dials phone and fax numbers and can be used as a keyboard for entering information into the machine.

18 Tone

Lets you switch the dialling type during a telephone call from **PULSE** to **TONE**.

19 Volume High / Low

Lets you adjust speaker and ring volume.

20 Programming Keys:**Menu**

Lets you access the function and programming mode.

← (Left Arrow)

Moves the LCD cursor to the left and displays the previous menu option/function.

Set

Stores a function setting into the machine.

→ (Right Arrow) / Verify

Moves the LCD cursor to the right and displays the next menu option/function. When the machine is idle, you can also use this key to print the Transmission Verification Report for your last transmission.

Clear

Deletes entered data or moves back one step in function procedure.

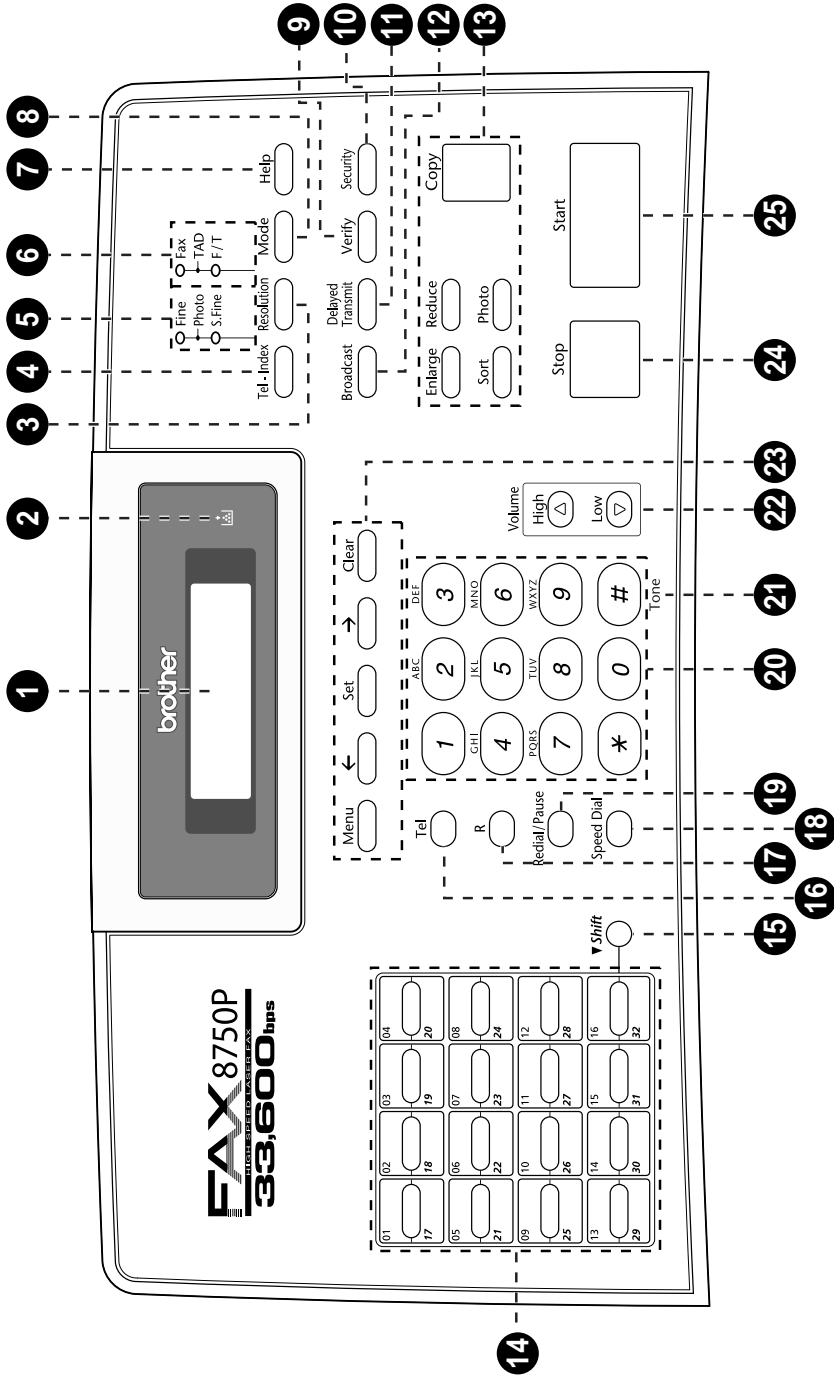
21 Stop

Stops a fax, cancels an operation or exits from function mode.

22 Start

Starts sending a fax.

FAX-8750P Control Panel Overview



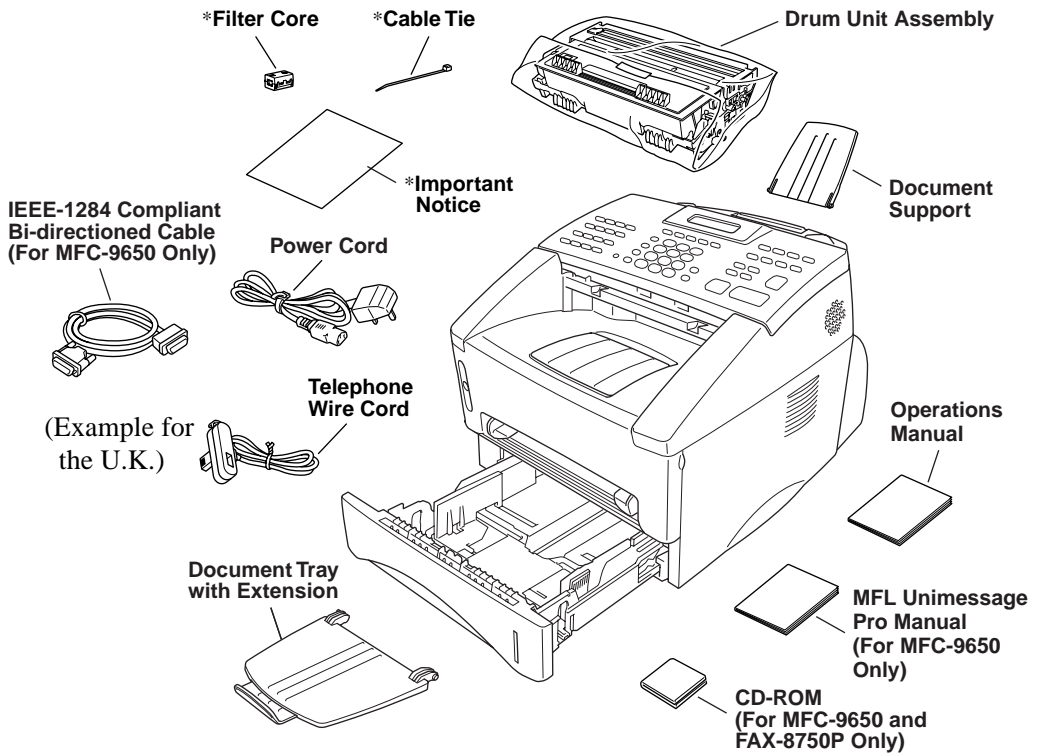
- 1 Liquid Crystal Display**
Displays messages to help you set up and operate your machine.
- 2 Toner Empty LED**
The Toner Indicator flashes on and off when toner is low, so you'll know to order another toner cartridge. You will still be able to print until the Indicator stays on.
- 3 Resolution**
Sets the resolution when you send a fax.
- 4 Tel-Index**
Lets you look up numbers stored in the dialling memory.
- 5 Resolution Indicator Lights**
These LEDs show the resolution mode you selected.
- 6 Answer Mode Indicator Lights**
These LEDs show how the machine will handle incoming calls.
- 7 Help**
Prints a quick reference Help List.
- 8 Mode**
Select how the fax machine will handle incoming calls.
- 9 Verify**
When the machine is idle, you can use this key to print the Transmission Verification Report for your last transmission.
- 10 Security**
Prohibits most functions except receiving faxes into memory.
- 11 Delayed Transmit**
Set the machine to send your documents later.
- 12 Broadcast**
Use this key when you want to send a fax to several different locations (maximum 182 locations at once).
- 13 Copy Function Keys:**
- Enlarge**
Enlarges copies depending on the ratio you select: 100%, 120%, 125%, 150%, 200% and MANUAL.
- Sort**
Use this key when you want multiple copies of a multiple page original, copied in order.
- Photo**
This key is used to copy photographs.
- Reduce**
Reduces copies depending upon the ratio you select: AUTO, 100%, 50%, 75%, 87%, 93% and MANUAL. AUTO sets the machine to calculate automatically the reduction ratio that fits the size of your paper. MANUAL allows you to enter the reduction ratio from 50%–100% using increments of 1%.
- Copy**
Makes a copy.
- 14 One Touch Dial Keys**
These 16 keys give you access to 32 previously stored phone numbers.
- 15 Shift**
This key is used to access the "17" through "32" One Touch keys.
- 16 Tel (Telephone)**
This key is used to have a telephone conversation having picked up the external handset in F/T pseudo-ringing etc.
- 17 R (Recall)**
Use this key to gain access to an outside line and/or to recall the operator or transfer a call to another extension when it is connected to a PABX.
- 18 Speed Dial**
Lets you dial stored phone numbers by pressing a two-digit number.
- 19 Redial/Pause**
Re-dials the last number called. Also inserts a pause in autodial numbers.
- 20 Dial Pad**
Dials phone and fax numbers and can be used as a keyboard for entering information into the machine.
- 21 Tone**
Lets you switch the dialling type during a telephone call from PULSE to TONE.
- 22 Volume High / Low**
Lets you adjust speaker and ring volume.
- 23 Programming Keys:**
- Menu**
Lets you access the function and programming mode.
- ← (Left Arrow)**
Moves the LCD cursor to the left and displays the previous menu option/function.
- Set**
Stores a function setting into the machine.
- (Right Arrow)**
Moves the LCD cursor to the right and displays the next menu option/function.
- Clear**
Deletes entered data or moves back one step in function procedure.
- 24 Stop**
Stops a fax, cancels an operation or exits from function mode.
- 25 Start**
Starts sending a fax.

CHAPTER TWO

Installation

Packing List

Make sure you have the following items:

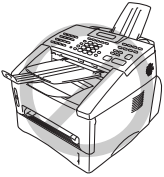


* ... Only for FAX-8750P

Whenever you transport the machine, use the packing materials that came with your machine and pack the machine correctly.

Choosing a Location

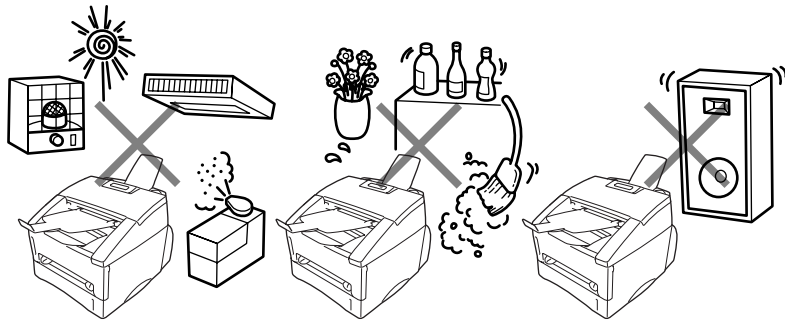
Place your fax machine on a flat, stable surface, such as a desk. Select a place that is free of vibration and shocks. Locate the machine near a telephone wall socket and a standard earthed electrical socket, grounded power outlet.



Avoid placing your machine where it may be knocked. Do not place near heaters, air conditioners, water, chemicals or refrigerators. Do not expose the machine to direct sunlight, excessive heat, moisture or dust. Do not connect your machine to electrical outlets controlled by wall switches or automatic timers as disruption of power can wipe out information in the unit's memory. Do not connect your machine to electrical outlets on the same circuit as large appliances or other equipment that might disrupt the power supply. Avoid interference sources, such as speakers or the base units of cordless phones. Ensure the airflow from the fan on the sides of the machine is not impeded.



CAUTION



Caution

- 1 We recommend that this product be used with a surge protection device to protect the product against damage caused by a lightning strike.
- 2 Never touch telephone wires or terminals that are not insulated unless the telephone line has been disconnected at the network interface.
- 3 Avoid using a telephone (other than a cordless type) during an electrical storm. There may be a remote risk of electric shock from lightning.
- 4 Do not use the telephone to report a gas leak in the vicinity of the leak.

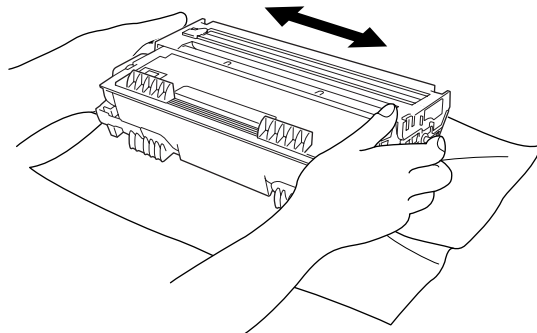
Assembly

Install the Drum Unit Assembly (with Toner Cartridge)

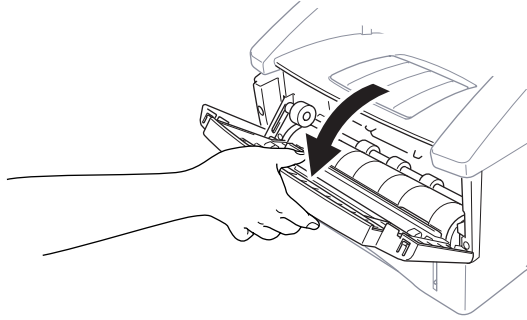
- 1 Unpack the drum unit assembly, including the toner cartridge, and gently rock it from side to side five or six times.



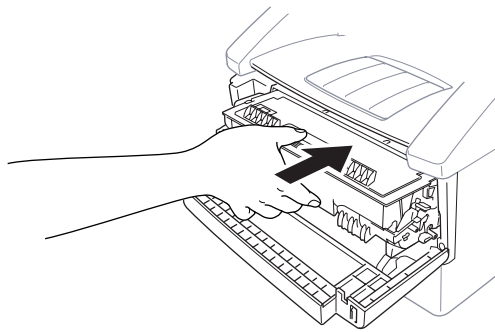
To prevent damage to the drum, do not expose it to light for longer than a few minutes.



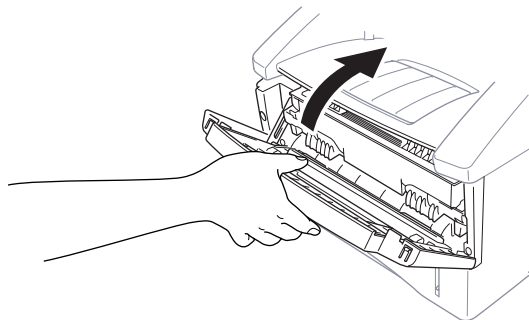
- 2 Open the front cover of the machine.



- 3 Insert the drum unit assembly into the machine.

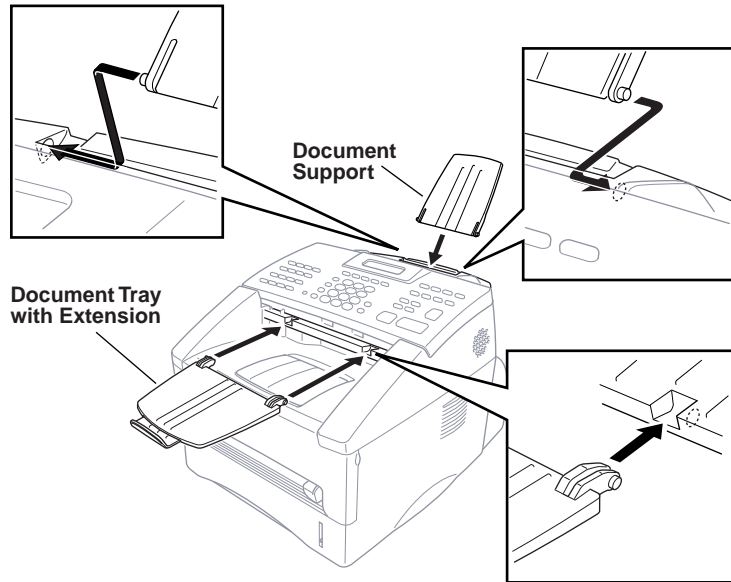


- 4 Close the front cover.

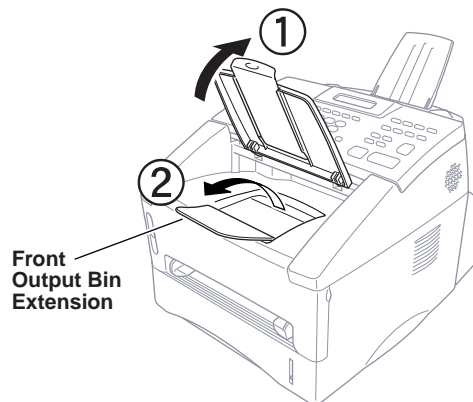


Attach the Trays

- 1 Attach the document support and document tray with extension, and unfold the extension, which holds documents in place.

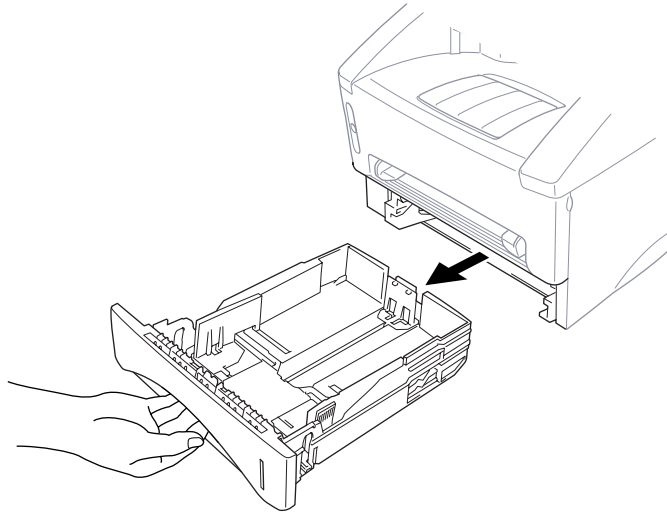


- 2 Unfold the Front Output Bin Extension, which holds printed pages in place.

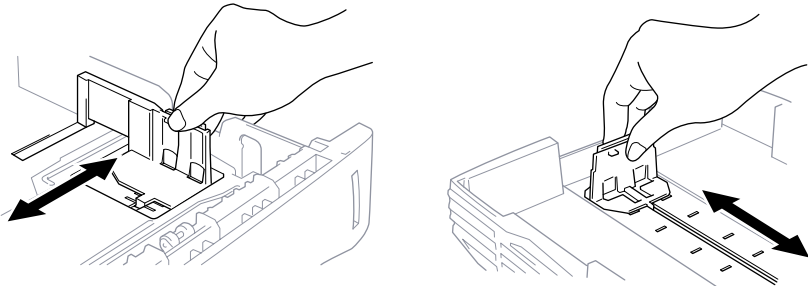


Loading Paper in Multi-purpose Paper Cassette

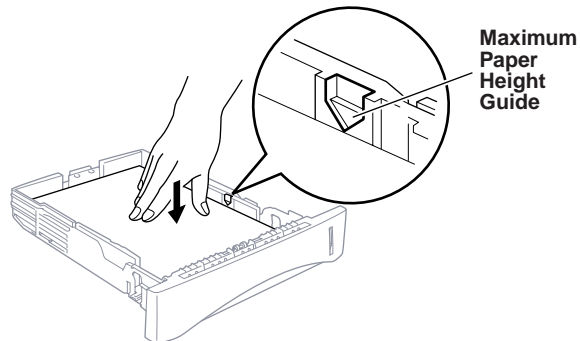
- 1 Pull the paper cassette completely out of the machine.



- 2 Adjust the paper guides at the right and rear of the paper cassette for the paper size you want.



- 3 Fan the paper well. Load paper in the paper cassette. Press down on the paper to flatten it in all four corners, keeping the paper level below the guide. The cassette can hold up to 250 sheets of 20 lb (75 g/m²) paper.



- 4 Slide the paper cassette into the machine until it locks into place.

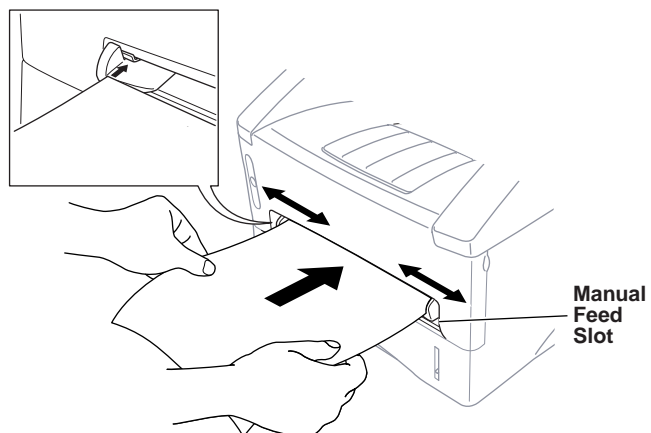
Acceptable Paper

Size : A4, Letter, B5, A5, A6, Executive
Weight : 64 g/m² – 105 g/m²
Thickness : 0.08 – 0.13 mm

Manual Feed Slot

The manual feed slot is above the multi-purpose paper cassette. Load paper or envelopes *one at a time*. You do not have to remove paper from the paper cassette.

To print or copy on labels, transparencies, card stock or thicker paper:



Acceptable Paper

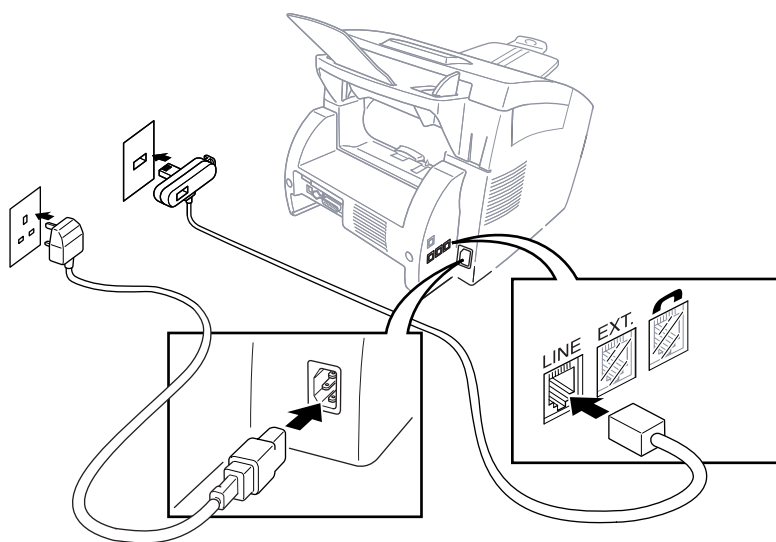
Size : 70 x 116 mm – 216 x 356 mm

Weight : 64 g/m² – 158 g/m²

Thickness : 0.08 – 0.20 mm

Setting Up the Machine

Follow the instructions below to connect power cord, and telephone line.



(Example for the U.K.)

- 1 Connect the power cord. You must use the supplied power cord.
When you connect the power, the screen displays the date and time.

IMPORTANT:

If you need to remove the moulded mains plug in order to fit an appropriate type, you must discard the moulded plug immediately having cut it off, in order that it is not inadvertently inserted into a live socket, thus presenting a shock hazard. The wires in the mains lead of this appliance are coloured in accordance with the following code.

Green-and-yellow : Earth
Blue : Neutral
Brown : Live

As the wires in the mains lead of this apparatus may not correspond with the coloured markings identifying the terminals in your plug, proceed as follows:

The wire which is coloured green-and-yellow must be connected to the terminal in the plug which is marked by the letter "E" or by the safety earth symbol \perp or coloured green or green-and-yellow.

The wire which is coloured blue must be connected to the terminal which is marked with the letter "N" or coloured black.

The wire which is coloured brown must be connected to the terminal which is marked with the letter "L" or coloured red.

**NOTICE:**

- This machine must be fitted with an earthed plug.
 - Since the machine is earthed via the mains plug, you can protect yourself from potentially hazardous electrical conditions on the telephone network by keeping the power to your machine on when you connect it to a telephone line. Similarly, you can protect yourself when you want to move your machine, by disconnecting the telephone line first, and then the power cord.
 - Do not touch any of the rollers while they are moving.
- 2** Connect one end of the telephone line cord to the socket marked LINE on the left side of the machine. Connect the other end to the modular wall socket.

Multi-Line Connections (PABXs)

Most offices use a central telephone system, or PABX. The machine will work with most PABX or key systems that allow a two-wire analogue connection. However, we recommend that you have a separate telephone line for your machine. You can then leave the machine in Fax Only Mode to receive faxes any time of day or night.

If you are installing the machine to work with a PABX:

- 1** It is not guaranteed that the unit will operate correctly under all circumstances with a PABX. Any cases of difficulty should be reported first to the company that handles your PABX.
- 2** If all incoming calls will be answered by a switchboard operator, it is recommended that the Answer Mode be set to Manual. All incoming calls should initially be regarded as telephone calls.
- 3** The unit may be used with either pulse or tone dialling.

Ringer Equivalence Number (REN)

This equipment has a REN value of 1. A BT line has a “bell ringing” capacity, or REN, of 4. This means that adding downstream-connected extension telephones and/or extension bells to a total REN of greater than 4 may cause a reduction in the bell volume. In extreme cases, it may cause the auto-answer facility of the machine to fail.

Therefore, up to three additional extension telephones (each assuming a REN of 1), may be connected downstream of your machine. For an explanation of “downstream connection, read “Using extension telephones” which follows.

Unless otherwise marked, a telephone provided by BT may be assumed to have a REN value of 1.



Using Extension Telephones

It may be that your premises are already wired with parallel extension telephones, or you intend to add extension telephones to your line, in addition to your machine. While the simplest arrangement is straightforward parallel connection, there are some reasons as to why this arrangement will cause unsatisfactory service, the most obvious of which is inadvertent interruption of a facsimile transmission by someone picking up an extension telephone in order to make an outgoing call. Additionally, remote activation may not operate reliably in such a simple configuration.

This machine may also be set to make a delayed transmission (i.e. a transmission at a pre-set time). This pre-set job may coincide with someone picking up an extension handset.

Such problems can easily be eliminated however, if you arrange modification of your extension wiring circuit, such that extension devices are connected “downstream” of your machine, in a master/slave configuration. In such a configuration, this machine can always detect whether a telephone is in use, thus it will not attempt to seize the line during that time. This is known as “telephone off-hook detection.”

The inadvisable configuration is shown in figure 1 below, and the recommended master/slave configuration is shown in figure 2.

This new connection configuration can be arranged by your contacting BT, Kingston upon Hull Telecommunications, your PABX maintainer or a qualified telephone installation company as appropriate. Simply explained, the extension telephone circuit should be terminated on a normal modular plug (BT 431A style), which in turn should be inserted into the modular socket of the white “T”-shaped connector provided as part of the line cord assembly.

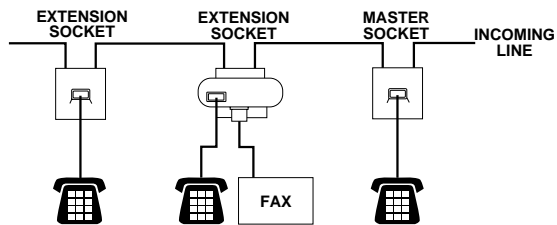


Fig. 1.

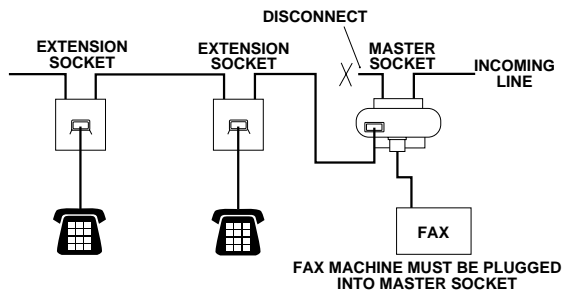


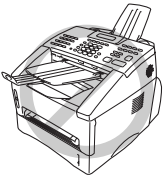
Fig. 2.

Connecting an External Telephone Answering Device (TAD)

Sequence

You might choose to connect an additional answering machine. When you have an **external** TAD on the same telephone line as the machine, the TAD answers all calls. The machine “listens” for fax calling (CNG) tones. If it hears them, the machine takes over the call and receives the fax. If it doesn’t hear the CNG tones, the machine will not answer the call, and messages can be left on the TAD by callers in the normal way.

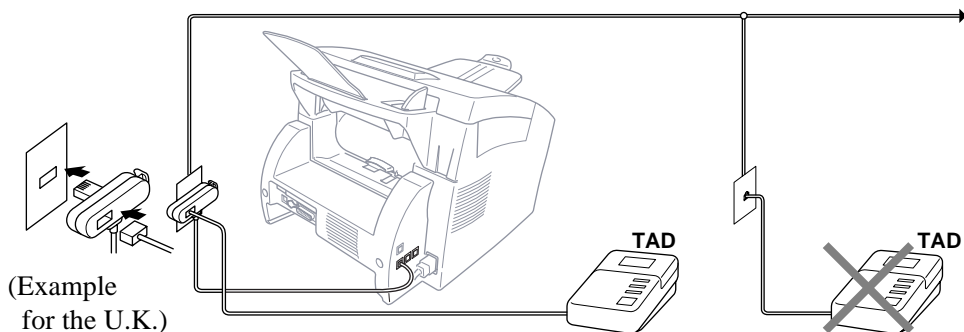
The TAD must answer within a maximum of four rings. However, we recommend two rings as the TAD setting. The machine cannot hear CNG tones until the TAD has answered the call, and with four rings there are only 8–10 seconds of CNG tones left for the fax “handshake.” Make sure you carefully follow instructions in this manual for recording your outgoing message. Do not use a “toll-saver” ring setting on the TAD.



It is important that the TAD is connected via the EXT socket on the machine or on the line jack unit. Do not use a line doubler on the line jack as this can cause answering problems.

Connections

- 1 You may connect an external TAD to your machine, as shown below.



- 2 Set your external TAD to two rings or less.
- 3 Record the outgoing message (see below).
- 4 Set the TAD to answer calls.
- 5 Set the Answer Mode to TAD. (Press **Mode** until both **Fax** and **F/T** lights are on.)

Outgoing Message (OGM) of External TAD

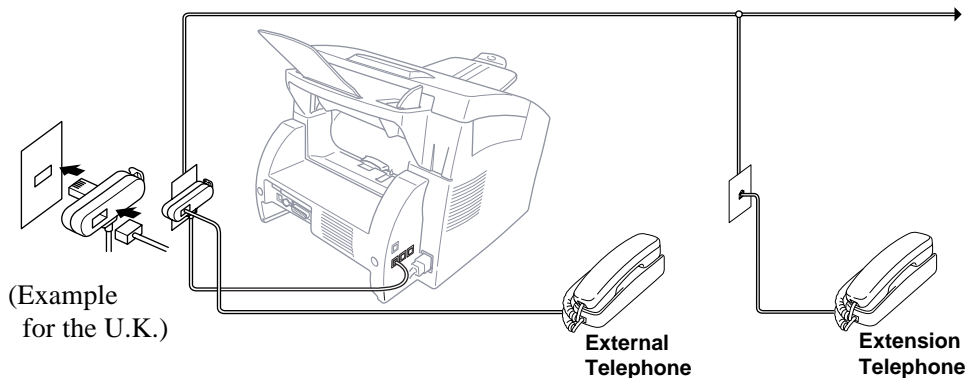
Timing is important in recording this message. The message sets up the ways to handle both manual and automatic fax reception.

- 1** We recommend the outgoing message (OGM) is no longer than 20 seconds.
- 2** Allow 5 seconds of silence at the beginning of your message. (This allows the fax to detect the calling tone prior to OGM, so reception can be faster.)
- 3** We recommend that you end your OGM by giving your Remote Activation Code for people sending manual faxes. For example: “After the beep, leave a message or send a fax manually by pressing *51 and Start”

Please note that some faxes that are sent manually cannot be received automatically because some fax machines do not send a fax tone if the call is manually dialed. In these cases you must inform callers that they must enter the remote activation code to send a fax.

Connecting an External Telephone

You can connect a separate telephone (or telephone answering device) to your machine, as shown below.



Whenever this external phone (or TAD) is in use, the screen displays **TELEPHONE**.

CHAPTER THREE

On-Screen Programming

User-Friendly Programming

*See
“Using This
Manual”
chap. 1*



We have designed your fax machine with on-screen programming and a Help key. User-friendly programming helps you take full advantage of all the functions your machine has to offer.

Since your programming is done on the LCD, we have created step-by-step on-screen prompts to help you program your machine. All you need to do is follow the prompts as they guide you through the function menu selections, programming options and settings.

Function Mode

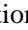
You can access the Function Mode by pressing **Menu**.

When you enter the Function Mode, your machine displays a list of main menu options from which you can choose. These options appear one after the other on the display. Select an option by pressing **Set** when the option appears on the LCD.

You can “scroll” more quickly through the available options by pressing . When the screen displays your selection, press **Set**. (Use  to scroll backward if you passed your choice or to save key strokes. Both arrow keys show all options, in the opposite order.)



If you want to exit the Function Mode, press **Stop**.

Before you press **Set**, you can correct a mistake you made entering information in a field using the dial pad. Use  to back up and then type over the incorrect characters.

When you finish a function, the screen displays **ACCEPTED**.

Function Selection Table

If you have a basic understanding of how to program your machine, you can perform most of the programming settings without the Owner's Manual. To help you understand the function selections, options, and settings that are available, use the Function Selection Table below.

< 1. FAX MENU FUNCTIONS >

| 1. INITIAL SETUP | | | |
|------------------|---|-------------|---------|
| Function | Description | Factory Set | Chapter |
| 1. TONE/PULSE | Select the dialling mode. | TONE | 4 |
| 2. DATE/TIME | Enter date and time for LCD display and to print on transmissions. | -- | 4 |
| 3. STATION ID | Program the name, fax number to appear on each transmitted page. | -- | 4 |
| 4. BEEPER | Adjust the volume level of the beeps when you press a key, an error occurs or a document is sent or received. | LOW | 4 |
| 5. PBX | Turn ON this function if your machine is connected to PABX (private automatic Branch Exchange.) | OFF | 4 |
| 6. CLOCK CHANGE | Adjust the machine's clock by one hour for summer/winter time. | -- | 4 |
| 7. SLEEP MODE | Set the time before the machine drops into sleep mode. | 00 Min. | 4 |
| 8. POWER SAVE | Power save mode. | OFF | 4 |

| 2. SETUP RECEIVE | | | |
|------------------|---|---------------|---------|
| Function | Description | Factory Set | Chapter |
| 1. RING DELAY | Number of rings before the machine answers in Fax/Tel (F/T) or Fax Mode. | RING DELAY:02 | 5 |
| 2. F/T RING TIME | Sets the time for "F/T pseudo-ring" in Fax/Tel (F/T) Mode. | 30 | 5 |
| 3. FAX DETECT | Receive fax messages without pressing the Start key even if you answered the call at an external/extension telephone. | ON | 5 |

2. SETUP RECEIVE (continued)

| Function | Description | Factory Set | Chapter |
|---|--|--------------------------|---------|
| 4. REMOTE CODE | Turn ON this function and enter a code to activate or deactivate your machine from a remote location. | OFF (*51, #51) | 5 |
| 5. REDUCTION | Reduces size of image. | AUTO | 5 |
| 6. MEM. RECEIVE | Automatically stores any incoming faxes in its memory if it runs out of paper. | ON | 5 |
| 7. PRINT DENSITY | Adjusts printing to be lighter or darker. | -- | 5 |
| 8. POLLING RX | You call another fax machine to receive a fax from it. | -- | 5 |
| 9. TONER SAVE | Increase life of toner cartridge. | OFF | 5 |
| 0. PC INTERFACE (Only for MFC-9650/ FAX-8750P) | Allows fax reception into your PC. | ON | 5 |

3. SETUP SEND

| Function | Description | Factory Set | Chapter |
|--|---|-----------------|---------|
| 1. COVERPG SETUP | Automatically sends a programmable cover page or prints a sample coverpage. | OFF | 6 |
| 2. COVERPAGE NOTE | Program a customized message for fax cover page. | -- | 6 |
| 3. CONTRAST | Change the lightness or darkness of a fax you are sending. | AUTO | 6 |
| 4. RESOLUTION | Allows you to change resolutions page by page. | STANDARD | 6 |
| 5. OVERSEAS MODE | Special setting for international transmissions. | OFF | 6 |
| 6. CALL RESERVE (with external telephone only) | You can send a fax, then speak to the person operating the other fax machine or print a sample call back message. | OFF | 6 |
| 7. TIMER | Set the machine to send your documents later. | -- | 6 |
| 8. POLLED TX | Set Polled Transmission for someone to poll your fax machine to receive a fax from you. | -- | 6 |

| 3. SETUP SEND (continued) | | | |
|----------------------------------|---|--------------------|----------------|
| Function | Description | Factory Set | Chapter |
| 9. REAL TIME TX | NEXT FAX ONLY/ON/OFF | OFF | 6 |
| 0. BATCH TX | Sends all delayed faxes that are to the same fax number and at the same time as one transmission. | OFF | 6 |

| 4. REMAINING JOBS | | | |
|--------------------------|--|--------------------|----------------|
| Function | Description | Factory Set | Chapter |
| | Cancel a delayed fax (timer) or polling job. | | 6 |

| 5. INTERRUPT | | | |
|---------------------|--|--------------------|----------------|
| Function | Description | Factory Set | Chapter |
| | Send a fax now, even if you have the machine set to send a fax later, or if you have it set for Polling. | | 6 |

| 6. SET QUICK-DIAL | | | |
|--------------------------|--|--------------------|----------------|
| Function | Description | Factory Set | Chapter |
| 1. ONE-TOUCH DIAL | Dial numbers stored in memory by pressing only one key. | -- | 7 |
| 2. SPEED-DIAL | Dial numbers stored in memory by pressing only three keys. | -- | 7 |
| 3. SETUP GROUPS | Allows you to set up a group of numbers for broadcasting and sequential polling. | -- | 7 |

| 7. PRINT REPORTS | | | |
|-------------------------|---|--------------------|----------------|
| Function | Description | Factory Set | Chapter |
| 1. XMIT REPORT | Print confirmation of transmission after each document is sent. | ON+IMAGE | 10 |
| 2. JOURNAL | Lists information about the last 50 incoming and outgoing faxes. | JOURNAL:OFF | 10 |
| 3. QUICK-DIAL | Lists names and numbers stored in One Touch and Speed Dial memory (in numerical order). | -- | 10 |

7. PRINT REPORTS (continued)

| Function | Description | Factory Set | Chapter |
|-------------------------|---|-------------|---------|
| 4. TEL.INDEX | Alphabetical list of stored numbers. | -- | 10 |
| 5. SYSTEM SETUP | Lists various system settings. | -- | 10 |
| 6. MEMORY STATUS | Lists information about memory use. | -- | 10 |
| 7. ORDER FORM | Print accessories order form to your dealer when your machine needs to replace the drum or toner. | -- | 10 |

8. REMOTE FAX OPT

| Function | Description | Factory Set | Chapter |
|--------------------------|--|-------------|---------|
| 1. FAX FWD | Set your fax machine to forward faxes. | OFF | 9 |
| 2. FAX STORAGE | Store incoming faxes in memory for remote retrieval. | OFF | 9 |
| 3. REMOTE ACCESS | Set code for retrieving faxes. | 159* | 9 |
| 4. PRINT DOCUMENT | Print incoming faxes stored in the memory. | -- | 5 |

9. MISCELLANEOUS

| Function | Description | Factory Set | Chapter |
|--|---|-------------|---------|
| 1. DRUM LIFE | You can check the remaining drum life on the screen. | -- | 16 |
| 2. MEM SECURITY (Only for FAX-8350P/ FAX-8750P) | Prohibits most functions except Receiving faxes into memory. | OFF | 4 |
| 3. COPY CONTRAST | You make copies darker or lighter. | -- | 11 |
| 4. LOWER TRAY (With optional cassette only) | Turn ON if you use the optional paper cassette, and chose which cassette you want to use for printing. | OFF | 5 |
| 5. BT CALLSIGN (Only for the UK) | Use with BT Call Sign. | OFF | 5 |

< 2. PRINTER MENU FUNCTIONS (Only for MFC-9650/FAX-8750P) >

| 1. PRINT OPTIONS | | | |
|------------------|---|-------------|---------|
| Function | Description | Factory Set | Chapter |
| 1. INTERNAL FONT | You can print resident fonts to check and confirm font types. | -- | 13 |
| 2. CONFIGURATION | Printer settings and status are listed here. | -- | 13 |

| 2. RESET PRINTER | | | |
|------------------|---|-------------|---------|
| Function | Description | Factory Set | Chapter |
| 1. FACTORY RESET | You can restore factory default settings and temporary settings for the printer back to factory default settings. | -- | 13 |
| 2. HEX DUMP MODE | If you set HEX DUMP MODE , PC data is printed in hexadecimal, for testing purposes. | -- | 13 |

< 3. LAN MENU FUNCTIONS (For MFC-9650/FAX-8750P with optional LAN Board only) >

For more details, please see the instruction sheet included in the Network (LAN) Board option.

CHAPTER FOUR

Initial Setup

Getting Started

Setting the Dialling Mode (Tone/Pulse)

Your machine is initially set to **TONE**. If you are using a **PULSE** dial line, you can change the setting to **PULSE** by following the steps below.

- 1 For the FAX-8350P, Press **Menu, 1, 1**.
For the MFC-9650/FAX-8750P, Press **Menu, 1, 1, 1**.
The screen prompts you to select **TONE** or **PULSE**.

DIALLING:TONE
SELECT ← → & SET

DIALLING:PULSE
SELECT ← → & SET

- 2 Use **←** or **→** to select the dialling mode.
- 3 Press **Set** when the screen displays the dialling mode you want.
- 4 Press **Stop** to exit.

Setting the Date and Time

Your machine displays the date and time, and prints it on every fax you send.

In the event of a power failure, the machine maintains date and time information for about 9 hours. All other settings remain unaffected.

- 1 For the FAX-8350P, Press **Menu, 1, 2.**
For the MFC-9650/FAX-8750P, Press **Menu, 1, 1, 2.**
The screen prompts you to enter the year.

YEAR : XX
ENTER & SET

- 2 Enter the last two digits of the year. The screen displays your entry.
- 3 Press **Set**. The screen prompts you to enter the month.

MONTH : XX
ENTER & SET

- 4 Enter two digits for the month (for example, enter 09 for September, or 10 for October). The screen displays your entry.
- 5 Press **Set**. The screen prompts you to enter the day.

DAY : XX
ENTER & SET

- 6 Enter two digits for the day (for example, 06). The screen displays your entry.
- 7 Press **Set**. The screen prompts you to set the time.

TIME : XX : XX
ENTER & SET

- 8 Enter the time in 24-hour format (for example, enter 15:25 for 3:25 PM).
- 9 Press **Set**.
- 10 Press **Stop**. The screen now displays the date and time you set, and displays it whenever the machine is standing by.

Setting the Station ID

*See
“Composing
an Electronic
Cover page”
chap. 6*

You can store your name, fax number, and telephone number to be printed on all fax pages that you send.

It is important that you enter the fax and telephone numbers in the internationally standardized format, i.e. in accordance with the following strict sequence:

- The “+” (plus) character (press * key)
- Your Country Code (e.g. “44” for the United Kingdom, “41” for Switzerland)
- Your local area code minus any leading “0”

- A space
- Your number on the local exchange, using spaces to aid readability as appropriate.

As an example, your machine is installed in the United Kingdom, is to be used for both fax and voice calls, and your national telephone number is 0161-444 5555, then you must set the fax and telephone number parts of your station ID as: +44 161-444 5555

- 1 For the FAX-8350P, Press **Menu, 1, 3**.
For the MFC-9650/FAX-8750P, Press **Menu, 1, 1, 3**.
The screen prompts you to enter your fax number.

FAX :
ENTER & SET

*See
“Entering
Text”
in this
chapter*

- 2 Enter your fax number (up to 20 digits). The screen displays your entry.
- 3 Press **Set**. The screen prompts you to enter your telephone number.


TEL :
ENTER & SET

- 4 Enter your telephone number (up to 20 digits). If your telephone number and fax number are the same, enter the same number again. The screen displays your entry.
- 5 Press **Set**. The screen prompts you to enter your name or your company name.

NAME :
ENTER & SET

- 6 Use the dial pad to enter your name (up to 20 characters). (You can use the following chart to help you enter letters.)
- 7 Press **Set** to confirm.
- 8 Press **Stop**. The screen returns to the date and time.



- The telephone number you have entered is used only for the Call Back Message and Cover Page features.
- If you do not enter a fax number, no additional information can be entered.
- To enter a space, press  once between numbers and twice between characters.
- If your Station ID has already been programmed, the screen prompts “1” to make a change, or “2” to exit without changing.

Entering Text

When you are setting certain functions, such as the Station ID, you may need to enter text into the machine. Most keys on the dial pad have three or four letters printed above them. The keys for 0, #, and * don't have printed letters because they are used for special characters.


By pressing the appropriate number on the dial pad the correct number of times, you can access the character you want.

| Press Key | one time | two times | three times | four times | five times |
|-----------|----------|-----------|-------------|------------|------------|
| 2 | A | B | C | 2 | A |
| 3 | D | E | F | 3 | D |
| 4 | G | H | I | 4 | G |
| 5 | J | K | L | 5 | J |
| 6 | M | N | O | 6 | M |
| 7 | P | Q | R | S | 7 |
| 8 | T | U | V | 8 | T |
| 9 | W | X | Y | Z | 9 |


Inserting Spaces

If you want to enter a blank space, press  twice.

Making Corrections

If you entered a letter incorrectly and want to change it, press  to move the cursor after the last correct letter. Then press **Clear**; all letters above and to the right of the cursor are deleted. Re-enter the correct text and/or digits. You can also back up and type over incorrect letters.

Repeating Letters


If you need to enter a character assigned to the same key as the previous character, press  to move the cursor to the right.

Special Characters and Symbols

Press * for (space) ! " # \$ % & ' () * + , - . /



Press # for : ; < = > ? @ [] ^ _

Press 0 for Ä Ë Ö Ü À Ç È É 0

Press the *, #, or 0 key, until the cursor appears under the character/symbol you want to enter. Then press  or enter the next letter.

Setting the Beeper Volume

You can set the beeper to **LOW**, **HIGH** or **OFF**. The machine comes with this volume set to **LOW**. When the beeper is set to **LOW** or **HIGH**, the machine beeps every time you press a key or make an error, and at the end of sending or receiving a fax.

- 1 For the FAX-8350P, Press **Menu, 1, 4**.
For the MFC-9650/FAX-8750P, Press **Menu, 1, 1, 4**.
- 2 Press  or  to select your setting.
- 3 When the screen displays the setting you want, press **Set**.
- 4 Press **Stop** to exit.

PABX and TRANSFER



Your machine is initially set to be connected with PSTN (Public Switched Telephone Network) lines. However, many offices use a central telephone system or Private Automatic Branch Exchange (PABX). Your fax can be connected to most types of PABX. The recall facility on your fax machine supports timed break recall only (TBR), PBXS normally can work with this for gaining access to an outside line, or for transferring a call to another extension: The feature works when the **R** key is pressed.

Setting PABX

If your machine is connected to a PABX system, set **PBX:ON**. If not, set **OFF**.

- 1 For the FAX-8350P, Press **Menu, 1, 5**.
For the MFC-9650/FAX-8750P, Press **Menu, 1, 1, 5**.
The screen displays

PBX : OFF
 SELECT ← → & SET

- 2 Press  or  to select **ON** (or **OFF**).
- 3 Press **Set** when the screen displays your selection.
- 4 Press **Stop** to exit.



You can program an **R** key press as part of a number stored in a One Touch or Speed Dial location. When programming the One Touch or Speed Dial number (Function menu 6-1 or 6-2) press **R** first (the screen displays “!”), then enter the telephone number. If you do this, you do not need to press **R** each time before you dial using a One Touch or Speed Dial location. (See chap. 7.)

However, if **PBX** is set to **OFF**, you can't use the One Touch or Speed Dial number that the **R** keypress is programmed into.

Setting the Clock Change

You can easily let the machine's clock gain or lose one hour by using this feature.

- 1 For the FAX-8350P, Press **Menu, 1, 6**.
For the MFC-9650/FAX-8750P, Press **Menu, 1, 1, 6**.
The screen displays

TO SUMMER TIME ?
SELECT ← → & SET

- 2 Press or to select Summer time to gain an hour or Winter time to lose an hour.
- 3 Press **Set**.
- 4 Press **1** to change to Winter time or Summer time. —OR— Press **2** to exit without changing.

Sleep Mode

Setting the Sleep Mode reduces power consumption while the machine is idle. You can choose how long the machine is idle (from 00 to 15 minutes) before it drops into sleep mode. The timer automatically resets when the machine receives a fax or PC data, or makes a copy. The factory setting is 0 minutes.

- 1 For the FAX-8350P, Press **Menu, 1, 7**.
For the MFC-9650/FAX-8750P, Press **Menu, 1, 1, 7**.
- 2 Use the dial pad to enter the amount of time the machine is idle before it drops into sleep mode (00 to 15).
- 3 Press **Set**.
- 4 Press **Stop** to exit.

Power Save

Setting Power Save Mode more reduces power consumption. If you switched ON, when your machine is idle, it drops into power save mode automatically.

In the power save mode, you can not use fax detect function and remote access with the extension phone. And your machine does not display the date and time, as it normally would.

- 1 For the FAX-8350P, Press **Menu, 1, 8**.
For the MFC-9650/FAX-8750P, Press **Menu, 1, 1, 8**.
- 2 Use or to select **ON** or **OFF**.
- 3 Press **Set** when the screen displays your selection.
- 4 Press **Stop** to exit.

Setting the Speaker Volume

You can adjust the speaker volume when your machine has dialled (onhook dialling) and the line is connected. You can turn the volume OFF or you can select a volume level.

Press or to adjust the volume level. The display shows the setting you are choosing.

Each key press changes the volume to the next setting. The new setting will remain until you change it again.

Setting the Ring Volume

You can adjust the ring volume when your machine is idle. You can turn the ring OFF.

Press or to adjust the volume level. With each key press, the machine rings so you can hear the current setting and the display shows the setting you are choosing.

Each key press changes the volume to the next setting.

The new setting will remain until you change it again.

Memory Storage

In the event of a power failure, all settings in the **INITIAL SETUP**, **SETUP RECEIVE**, **SET QUICK-DIAL** and **REMOTE FAX OPT**, plus the **COVERPG SETUP** and **COVERPAGE NOTE** (from **SETUP SEND**) functions are stored permanently.

Memory Security (Only for FAX-8350P/FAX-8750P)

This feature allows you to prevent unauthorised access to the fax machine. When switched ON, Memory Security prohibits most functions. The following functions listed are available while Memory Security is switched ON.

- Receiving faxes into memory [limited by Memory Capacity].
- Scheduled Delayed Transmission*
- Polling*
- Fax Forwarding*
- Remote Retrieval

* Provided it was set before Memory Security was switched ON.

Using Memory Security

You must use a password to switch Memory Security ON and OFF.

Setting Up Memory Security for the First Time

- 1 Press **Menu**, **0**, **2**, or press **Security**.

The screen prompts you to enter the password, and then press **Set**.

```
NEW PASSWD:XXXX
ENTER & SET
```

- 2 Enter a 4-digit number as a password.

- 3 Press **Set**.

The screen prompts you re-enter the password.



```
VERIFY:XXXX
ENTER & SET
```

- 4 Re-enter the password and press **Set**.

- 5 The screen displays

```
SET SECURITY
SELECT ← → & SET
```

```
SET PASSWORD
SELECT ← → & SET
```

- 6 Press  or  to choose **SET SECURITY**.

- 7 Press **Set**. The screen prompts you to enter the password.

```
PASSWORD:XXXX
ENTER & SET
```

- 8 Enter a 4-digit password, followed by **Set**.

This is the same as the security password of your machine already stored.

The screen displays **ACCEPTED** for 2 seconds, followed by **SECURE MODE** - Memory Security is now switched ON.

If the password you enter at Step 8 is incorrect, the screen would display **WRONG PASSWORD**. After 2 seconds the display will then return to normal (displaying the date & time). You must then start from Step 5 to set Memory Security.





Changing the Memory Security Password

- 1 Press **Menu, 0, 2**, or press **Security**.

SET SECURITY
SELECT ← → & SET

SET PASSWORD
SELECT ← → & SET

- 2 Press  or  to choose **SET PASSWORD**.
- 3 Press **Set**.

The screen prompts you to enter the old password.

OLD PASSWD: XXXX
ENTER & SET

- 4 Enter the current password.
- 5 Press **Set**.

The screen prompts you to enter the new password.

NEW PASSWD: XXXX
ENTER & SET

- 6 Enter a 4-digit number as a new password.
- 7 Press **Set**.

The screen prompts you to re-enter the new password.

VERIFY: XXXX
ENTER & SET


- 8 Enter the new password again and press **Set**.
- 9 Press **Stop** to exit.

Switching Memory Security ON

- 1 Press **Menu, 0, 2**, or press **Security**. The screen displays

SET SECURITY
SELECT ← → & SET

SET PASSWORD
SELECT ← → & SET

- 2 Press  or  to choose **SET SECURITY**.
- 3 Press **Set**. The screen prompts you to enter the password.

PASSWORD: XXXX
ENTER & SET

- 4 Enter a 4-digit password, followed by **Set**.

This is the same as the security password of your machine already stored.

The screen displays **ACCEPTED** for 2 seconds, followed by **SECURE MODE** - Memory Security is now switched ON.

If the password you enter at Step 4 is incorrect, the screen would display **WRONG PASSWORD**. After 2 seconds the display will then return to normal (displaying the date & time). You must then start from Step 1 to set Memory Security.



Switching OFF Memory Security

- 1 When Memory Security is switched ON, press **Menu** or **Security**.

The screen prompts you to enter the password, followed by **Set**.

PASSWORD : XXXX
ENTER & SET

- 2 Enter a 4-digit password and press **Set**.

The screen displays **ACCEPTED**, then after 2 seconds the display reverts to normal. Memory Security is now switched OFF.

If the password you enter at Step 2 is incorrect, the screen would display **WRONG PASSWORD**. After 2 seconds the display will then return to displaying **SECURE MODE**. You must then start from Step 1 to switch OFF Memory Security.

If you forget the Memory Security password, please contact your Brother dealer for service.



CHAPTER FIVE

Setup Receive

Basic Receiving Operations



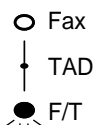
Select Answer Mode

You'll need to connect an external telephone to select Fax/Tel (F/T) or Manual Mode.

Answer Mode **For**
(○ means light off. ● means light on.)

- | | | |
|--|--|---|
| <p>1. Manual (with an External Telephone)</p> | <p>○ Fax ○ TAD ○ F/T</p> | <p>Use this function if you receive many telephone calls and few fax messages. You must answer all calls yourself. If you hear fax tones, wait until the fax machine takes over the call automatically, then hang up (see Fax Detect function).</p> |
| <p>2. Fax Only</p> | <p>● Fax ○ TAD ○ F/T</p> | <p>Use this function if you want to receive fax messages only (no telephone calls). The fax machine should be connected on its own line. The machine automatically answers every call as a fax call. You cannot receive a voice call, but, if you have connected an External telephone, you can still dial out and make voice calls. (This setting is recommended if the fax machine is on its own dedicated line.)</p> |

*See
“Fax/Tel
(F/T) Mode
Only”
in this
chapter*

3. **Fax/Tel (F/T)**  (with an External Telephone)

Use this function if you expect to receive many fax messages and seldom phone calls. The machine automatically answers every call. If the call is a fax, it prints the fax. If the call is not a fax, it signals you with an F/T pseudo-ring, different from the phone company ringing, to alert you to pick up the call. If you select this setting, you'll need to set the Ring Delay and F/T Ring Time features (on the following pages).

4. **TAD** 

This is the only setting in which you can use an **external** answering machine. Your telephone answering device is connected to your machine, and answers every call. Once the external telephone answering device (TAD) answers, the machine listens for fax tones. If it detects fax tones, fax messages are printed.

The TAD setting works only with an external telephone answering device (TAD). Ring Delay and F/T Ring Time do not work in this setting.

Manual Reception (Manual Mode)

When you set the Answer Mode to manual (the **Fax** and **F/T** lights are both off), you must answer each incoming call yourself. Select this mode by pressing **Mode** key. Here is what you should do when using Manual Mode:

| If You Get a... | Then You Should... |
|---|---|
| 1. Regular phone call | Talk as you normally would. |
| 2. Phone call and request to send a fax | Press Start when finished talking, and replace the external telephone's handset. NOTE: Sender must also press Start. |
| 3. Fax tone... | Wait until the fax machine takes over the call or press Start . |



Automatic Fax Only Reception (Fax Mode)

You can automatically receive all your faxes in Automatic Fax Reception mode (**Fax** light is on). Select this mode by pressing **Mode**.

*See
“Operation
from an
External or
Extension
Telephone”
and
“For Fax/Tel
(F/T) Mode
Only”
in this
chapter*



Setting the Ring Delay

The Ring Delay setting determines the number of times the machine rings before it answers.

- 1 For the FAX-8350P, Press **Menu, 2, 1**.
For the MFC-9650/FAX-8750P, Press **Menu, 1, 2, 1**.
- 2 Press  or  to select how many times the line rings before the machine answers (01-04 or 02-04 for IRE).
- 3 Press **Set** when the screen displays your selection.
- 4 Press **Stop** to exit.

Setting the F/T Ring Time

You need to determine how long the machine will notify you with its special F/T pseudo-ring when you have a voice call. This ringing happens *after* the initial ringing from the phone company. Only the machine rings, for 20, 30, 40 or 70 (for the U.K. and others) and 20, 30, 40 or 55 (for IRE) seconds; no other phones on the same line ring the special F/T pseudo-ring. However, you can answer the call on any extension phone (in a separate wall socket) on the same line as the machine.

- 1 For the FAX-8350P, Press **Menu, 2, 2**.
For the MFC-9650/FAX-8750P, Press **Menu, 1, 2, 2**.
- 2 Press  or  to select how long the machine will ring to alert you that you have a voice call.
- 3 Press **Set** when the screen displays your selection.

RING TIME : 30 SEC
 SELECT ← → & SET

- 4 Press **Stop** to exit.

Now, when a call comes in and the machine is set to Fax/Tel (F/T) Mode, all phones on this line will ring the number of times you selected in Ring Delay.

You can let the machine pick up and detect if it's a fax or voice call. If it's a fax call, the machine prints the fax. If it's a voice call, the machine signals you with an F/T pseudo-ring for the length of time you selected in F/T Ring Time.



Even if the caller hangs up during the F/T pseudo-ringing, the machine continues the F/T pseudo-ringing for the set time.



*See
“Operation
from an
External or
Extension
Telephone”
and
“For Fax/Tel
(F/T) Mode
Only”
in this
chapter*

Fax Detect (with an External Telephone)

When you use this feature, you don't have to press **Start** when you answer a fax call and hear calling beeps. Just hold the handset and wait for several seconds. When you see **RECEIVING** on the fax screen or when you hear “chirps” through the handset of an extension phone connected to another wall socket, just replace the handset, and your machine does the rest. Selecting **ON** allows the machine to receive fax calls automatically, even if you lift the handset of an extension or external phone. Selecting **OFF** means you'll have to activate the machine yourself, by pressing **Start** or by pressing * **5 1** if you are not at your machine.

- 1 For the FAX-8350P, Press **Menu, 2, 3**.
For the MFC-9650/FAX-8750P, Press **Menu, 1, 2, 3**.
- 2 Use  or  to select **ON** or **OFF**.
- 3 Press **Set** when the screen displays your selection.
- 4 Press **Stop** to exit.



If you've set the feature to **ON**, but your machine doesn't automatically connect a fax call when you lift an external or extension phone's handset, press * **5 1**. At the machine, lift the handset and press **Start**.

Printing a Reduced Incoming Document

You can always reduce the size of an incoming fax to a fixed percentage with your machine. If you choose **AUTO**, the machine chooses the level of reduction for you regardless of the original size of the incoming document.

- 1 For the FAX-8350P, Press **Menu, 2, 5**.
For the MFC-9650/FAX-8750P, Press **Menu, 1, 2, 5**.
The screen displays

5 . REDUCTION

- 2 Use  or  to select the reduction ratio you want—**AUTO, 100%, 93%** or **87%**. Choose **100%** if you don't want a reduction.
- 3 Press **Set** when the screen displays your selection.
- 4 Press **Stop** to exit.

If you receive faxes that are split on two pages, change the reduction to **AUTO** —**OR**— choose a lower reduction percentage.



- NOTE:** ■ When you use Auto Reduction to reduce incoming documents to fit on one page of recording paper, you can do so only as long as the original document is not longer than 35 cm. If the original is longer than 35 cm, the data will not be reduced and will carry over to print on a second page.
- When you use Auto Reduction and you receive an incoming document that is smaller than your recording paper, no reduction will take place, and you will get the same size recorded as the original.

Reception into Memory

As soon as the paper cassette becomes empty during fax reception, the screen will display **CHECK PAPER** or **CHECK PAPER #1**; please put some paper in the paper cassette (see chap. 2).

If the **MEMORY RECEPTION** setting is **ON** at this time...



The current fax reception will continue, with the remaining page(s) being stored in memory, subject to available memory. Subsequent incoming faxes will also be stored into memory until the memory is full, following which no further incoming fax calls will be automatically answered; all data will be printed as soon as fresh paper is put in the paper cassette.

If the **MEMORY RECEPTION** setting is **OFF** at this time...

The current fax reception will continue, with the remaining page(s) being stored in memory, subject to available memory. Subsequent incoming fax calls will not be automatically answered until fresh paper is put in the paper cassette. The last fax received will be printed as soon as fresh paper is put in the cassette.



- 1 For the FAX-8350P, Press **Menu, 2, 6**.
For the MFC-9650/FAX-8750P, Press **Menu, 1, 2, 6**.
The screen displays

6 . MEM . RECEIVE

- 2 Use  or  to select **ON** or **OFF**.
- 3 Press **Set** when the screen displays your selection.
- 4 Press **Stop** to exit.



Setting the Print Density

If your machine is printing too light or too dark, you can adjust the print density level. The new setting will remain until you change it again.

- 1 For the FAX-8350P, Press **Menu, 2, 7**.
For the MFC-9650/FAX-8750P, Press **Menu, 1, 2, 7**.
- 2 Press  or  to select your setting. Each key press changes the print density to the next setting.
- 3 When the screen shows the setting you want, press **Set**.
- 4 Press **Stop** to exit.



Toner Save

You can conserve toner using this feature. When you set Toner Save to **ON**, print appears somewhat lighter. The default setting is **OFF**.

- 1 For the FAX-8350P, Press **Menu, 2, 9**.
For the MFC-9650/FAX-8750P, Press **Menu, 1, 2, 9**.
- 2 Press  or  to turn **ON** (or **OFF**).
- 3 Press **Set**.
- 4 Press **Stop** to exit.

Lower Tray

You can set the machine to recognize the optional lower tray. When Lower Tray is set to **ON**, you can set which cassette you want to use for printing.

- 1 After setting up for the optional paper tray,
For the FAX-8350P, Press **Menu, 0, 4**.
For the MFC-9650/FAX-8750P, Press **Menu, 1, 0, 4**.
- 2 Press  or  to turn **ON** (or **OFF**).
- 3 Press **Set**.

Setting Lower Tray

The default setting of **AUTO** allows your machine to choose the lower tray if paper is out in the upper tray. Choose **UPPER** if you want to keep special paper in the lower tray and control when it is used.

- 4 Press  or  to select **AUTO**, **UPPER** or **LOWER** and press **Set**.
- 5 Press **Stop** to exit.

Advanced Receiving Operations

Operation from an External or Extension (For FAX-8350P/MFC-9650 Only) Telephone

An external phone is a telephone that is plugged into your machine (either into the machine's EXT socket or into the back of the connector that plugs into the telephone wall socket).

An extension phone is another phone on the same phone number as your machine, but plugged into a different telephone wall socket. For example, your machine may be connected to a phone line in your study, and you may have another phone on the same line (and same phone number) in your kitchen. This feature described below enables you to answer the phone in the kitchen if it rings while you are making a coffee, knowing that you can transfer the call to your machine if the incoming call is a fax.

If you answer a fax call on an external or extension phone, you can make your machine take over by using the Activation Code. When you press the Activation Code * 5 1, the machine starts to receive a fax.

If the machine answers a voice call and F/T pseudo-rings for you to take over, use the Deactivation Code # 5 1 to take the call at an extension phone. The Deactivation Code is used only in Fax/Tel (F/T) Mode.

If you answer a call, and no one is on the line, assume you're receiving a fax. At an extension phone, press * 5 1, wait for fax receiving tones (chirps), then hang up. At an external phone, press * 5 1 and wait for the phone to be disconnected (the screen displays **RECEIVING**) before you hang up. (Your caller will have to press **Start** to send the fax.)

If you accidentally pick up an extension phone when a fax message is being received, you may disrupt the transmission or render some portions unreadable.

The Remote Activation Code can also be used by your callers. When you are using an external TAD, your outgoing message (OGM) should end with the statement "to send a fax, press * 5 1".

For the FAX-8750P, the Activation Code and Deactivation Code can be used only from an external phone.

*See
"F/T Ring
Time"
in this
chapter*



*See
"Outgoing
Message (OGM)
of External TAD"
chap. 2*



For Fax/Tel (F/T) Mode Only

When the machine is in Fax/Tel (F/T) Mode, it will use the F/T Ring Time (F/T pseudo-ringing) to alert you to a voice call. If you're at the machine, you can lift the external telephone's handset and press **Tel** to answer.

If you're at an extension phone, you'll need to lift the handset during the F/T Ring Time and press **# 5 1** between the F/T pseudo-rings. If no one is on the line, or if someone wants to send you a fax, send the call back to the machine by pressing *** 5 1**.



Changing Remote Codes

Remote Codes might not work with some telephone systems. The preset Activation Code is *** 5 1**. The preset Deactivation Code is **# 5 1**.



If you are always disconnected when accessing your external TAD remotely, try changing the Activation Code from *** 5 1** to **###** and the Deactivation Code from **# 5 1** to **1 1 1**. You cannot use the same number for the Activation Code and the Deactivation Code.

To change Remote Codes

- 1 For the FAX-8350P, Press **Menu, 2, 4**.
For the MFC-9650/FAX-8750P, Press **Menu, 1, 2, 4**.
- 2 Press  or  to select **ON** (or **OFF**).

```
REMOTE ACT. : ON
SELECT ← → & SET
```

- 3 Press **Set** when the screen displays the setting you want.
- 4 If you want to, enter a new Remote Activation Code, then press **Set**.

```
ACT. CODE : *51
ENTER & SET
```

- 5 If you want to, enter a new Remote Deactivation Code, then press **Set**.

```
DEACT. CODE : #51
ENTER & SET
```

- 6 Press **Stop** to exit.

See
 “Setting Fax
 Storage”
 chap. 9

Printing a Fax from Memory

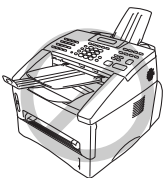
If you have fax storage **ON** for remote retrieval, you can still print a fax from the machine’s memory when you are at your machine:

- 1 For the FAX-8350P, Press **Menu, 8, 4**.
 For the MFC-9650/FAX-8750P, Press **Menu, 1, 8, 4**.
- 2 Press **Start**.
- 3 After all the data saved in memory is printed out. Press **Stop**.

BT Call Sign (For U.K. Only)

This machine feature lets you use the BT Call Sign subscriber service which allows you to have at least two separate telephone numbers on one phone line. Each phone number has its own distinctive ringing pattern, so you know which phone number is ringing. This is one way you can have a separate phone number for your machine.

Your machine has a BT Call Sign compatible distinctive ringing function, allowing you to dedicate a second phone number (on the same phone line) just for receiving faxes.



You can switch it off temporarily, then turn it back on. When you get a new fax number, make sure you reset this function.

- To have your external TAD answer only the main number, the machine must be in Manual Mode.
- In Fax/Tel (F/T) or Fax Only mode, the machine will answer all numbers on the phone line.

Set the BT Call Sign

- 1 Set the machine to Manual mode.
- 2 For the FAX-8350P, Press **Menu, 0, 5**.
 For the MFC-9650/FAX-8750P, Press **Menu, 1, 0, 5**.
 The screen displays the current setting of this feature.
- 3 Press or to select **ON** (or **OFF**).
- 4 Press **Set**.
- 5 Press **Stop** to exit.

Polling



Polling is the process of retrieving faxes from another machine. You can use your machine to “poll” other machines, or you can have someone poll your machine.

All parties involved in polling need to set up their machines to accommodate polling. When someone polls your machine to receive a fax, they pay for the call; if you poll someone’s fax machine to receive a fax, you pay for the call. (See “Setup for Polling Transmit” in chap. 6.)



Some machines do not respond to the polling function.

Secure Polling

Secure Polling is a way to keep your documents and others’ from falling into the wrong hands while the fax machines are set up for polling. You can use Secure Polling only with another Brother fax machine. Your four-digit ID number must be entered on the fax machine that polls for your documents.

Setup for Polling Receive

Polling Receive is when you call another fax machine to receive a fax from it.

- 1 For the FAX-8350P, Press **Menu, 2, 8**.
For the MFC-9650/FAX-8750P, Press **Menu, 1, 2, 8**.
The screen displays

POLLING: STANDARD
SELECT ← → & SET

- 2 Press **←** or **→** to choose **STANDARD**.
- 3 Press **Set**.



The screen prompts you to enter the fax number you want to poll, and then to press **Start**.

ENTER FAX NO.
THEN PRESS START

- 4 Enter the fax number you are polling.
- 5 Press **Start**. The screen displays **DIALING #XX**.

Setup for Polling Receive with Secure Code

You need to make sure you are using the same ID number as the other party.

- 1 For the FAX-8350P, Press **Menu, 2, 8.**
For the MFC-9650/FAX-8750P, Press **Menu, 1, 2, 8.**
- 2 Press  or  to choose **SECURE**.

POLLING: SECURE
SELECT ← → & SET

- 3 Press **Set**.
- 4 Enter a four-digit number.

This should be the same as the security code of the fax machine you are polling.

- 5 Press **Set**.



The screen prompts you to enter the fax number you want to poll, and then to press **Start**.

ENTER FAX NO.
THEN PRESS START

- 6 Press **Start**.

Setup Delayed Polling Receive

You can set your machine to begin Polling Receive at a later time.

- 1 For the FAX-8350P, Press **Menu, 2, 8.**
For the MFC-9650/FAX-8750P, Press **Menu, 1, 2, 8.**
- 2 Press  or  to choose **TIMER**.

POLLING: TIMER
SELECT ← → & SET

- 3 Press **Set**.
- 4 The screen prompts you to enter the time you want to begin polling.

SET TIME=15:25

- 5 Enter the time (in 24-hour format) you want to begin polling. For example, enter 21:45 for 9:45 PM.
- 6 Press **Set**. The screen prompts you to enter the fax number you are polling.

ENTER FAX NO.
THEN PRESS START

- 7 Enter the fax number (you can use One Touch or Speed Dial, or dial manually).
- 8 Press **Start**. The machine makes the polling call at the time you entered.

You can set up only one Delayed Polling.



Sequential Polling

Your machine can request documents from several fax units in a single operation. You just specify several destinations in Step 6. Afterward, a Sequential Polling Report will be printed.

- 1 For the FAX-8350P, Press **Menu, 2, 8**.
For the MFC-9650/FAX-8750P, Press **Menu, 1, 2, 8**.
The screen displays

POLLING : STANDARD
SELECT ← → & SET

- 2 Press **←** or **→** to choose **STANDARD**, **SECURE** or **TIMER**.
- 3 Press **Set** when the screen displays the setting you want.
- 4 If you selected **STANDARD**, the screen prompts you to enter the fax number you want to poll, and then to press **Start**.

ENTER FAX NO.
THEN PRESS START

- If you selected **SECURE**, enter a four-digit number and press **Set**.
 - If you selected **TIMER**, enter the time (in 24-hour format) you want to begin polling and press **Set**.
- 5 Specify the destination fax machines, which you wish to poll by using One Touch, Speed Dial, a Group or the dial pad. You must press **Help/Broadcast** or **Broadcast** between each location.
 - 6 Press **Start**.

Your machine polls each number or group number in turn for a document.

ACCEPTED

DIALING #XX

Setting PC Interface Mode (Only for MFC-9650/FAX-8750P)

If you connect your machine to your PC, you can receive faxes into your PC. After completing all setup for Multi-Function Link Unimessage Pro for Fax, you can select PC Interface Mode (**ON/OFF**) for routing incoming faxes.

- 1 Press **Menu**, **1**, **2**, **0**.

0 . PC INTERFACE

- 2 Press or to select **ON** or **OFF**.
- 3 Press **Set** when the screen displays your selection.
- 4 Press **Stop** to exit.



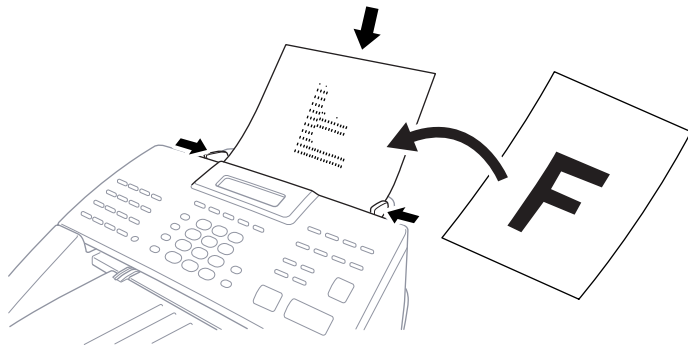
For the FAX-8750P, this function is appeared only when the parallel or USB interface cable is connected.

CHAPTER SIX

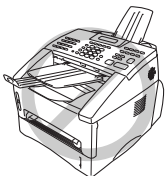
Setup Send

Before You Begin

- Documents must be between 14.8 and 21.6 cm wide, and 10 and 36 cm long. This machine can only scan an image 20.7 cm wide, regardless of how wide the document is.
- Make sure you insert documents **face down, top edge first**.
- Adjust the paper guides to fit the width of your document.



See
“Resolution”
in this
chapter



- The automatic document feeder (ADF) can hold up to 30 pages, feeding each one individually through the fax machine. Use standard (64 g/m²~90 g/m²) paper when using the ADF; if you’re using heavier paper, feed each sheet individually to prevent paper jams.
- Press **Resolution** (before you send the fax) to select the resolution for the document you’re sending.
- **DO NOT** use curled, wrinkled, folded, or ripped document, or document with staples, paper clips, paste, tippex and/or liquid paper or tape attached. **DO NOT** use cardboard, newspaper, or fabric.
- Make sure documents written with ink are completely dry.

*See
“Multiple
Resolution
Transmission”
in this
chapter*

Resolution

When you have a document in the feeder, you can use the **Resolution** key. Press **Resolution** continuously until you see the LED change.

Standard — Suitable for most typed documents.

Fine — Good for small print; transmits a little slower than standard resolution.

Super Fine — Good for small print or artwork; transmits slower than **Fine** resolution.

Photo — Use when document has varying shades of grey; slow transmission time.

Contrast

If your document is very light or very dark, you might want to set the contrast accordingly. Use **LIGHT** to send a light document. Use **DARK** to send a dark document.

- 1 Insert the document, face down, in the feeder.
- 2 For the FAX-8350P, Press **Menu, 3, 3**.
For the MFC-9650/FAX-8750P, Press **Menu, 1, 3, 3**.
- 3 Use **←** or **→** to select **AUTO, LIGHT, or DARK**.
- 4 When the screen displays your selection, press **Set**. The screen displays

ACCEPTED

NEXT
1 . YES 2 . NO

- 5 Press **2** if you are finished choosing settings, and go to Step 6. —
OR— Press **1** if you want to select additional settings. The display returns to **SETUP SEND** menu.
- 6 Enter a fax number and press **Start** to send a fax.

Automatic Transmission

This is the easiest way to send a fax.

IMPORTANT: Do **not** pick up the external telephone's handset.

- 1 Insert the document face down in the feeder.
- 2 Enter the fax number using One Touch Dial, Speed Dial, Tel-Index or the dial pad.
- 3 Press **Start**. The machine starts scanning the document and the display indicates the job number and how much memory is available. Then the machine will start dialling if it is not sending, receiving or printing the other documents.

Manual Transmission (with an External Telephone)

Manual transmission lets you hear the dial tone, ringing and fax receiving tones before sending a fax.

- 1 Insert the document face down in the feeder.
- 2 Pick up the handset of the external telephone and listen for a dial tone.
- 3 Enter the fax number using One Touch Dial, Speed Dial, Tel-Index or the dial pad.
- 4 When you hear the fax tone, press **Start**.
- 5 Return the handset to its cradle of the external telephone.

*See
"One Touch
Dialling"
chap. 8*

*See
"Speed
Dialling"
chap. 8*

Fax Redial

If you're sending a fax manually and the line is busy, you can retry the number by pressing **Redial/Pause**.

- 1 Press **Redial/Pause**.
- 2 Press **Start**.

If you're sending a fax automatically and the line is busy, the machine will automatically redial up to 4 times (3 times for Ireland) at 2 minute intervals.

Dual Access

You can scan up to 50 messages into the fax memory, even while the machine is receiving or sending another fax (from the memory). You can set temporary settings for each fax you're scanning, except Timer and Polling.

If you get a **MEMORY FULL** message while scanning the first page of a fax press **Stop** to cancel a scan. If you get a **MEMORY FULL** message while scanning in a subsequent page, you'll have the option to press **Start** to transmit the pages scanned so far, or to press **Stop** to cancel the operation.

- 1 Make sure the document feeder is empty.
- 2 Place the document in the feeder.
- 3 Enter the fax number.
- 4 Press **Start**. The machine starts scanning the document and the screen displays the job number (#XX) of the fax, and how much memory is available. When the machine starts dialling you can immediately repeat Steps 1 through 4 for the next fax.

Real Time Transmission

When Memory is full, the machine cannot continue to scan documents into memory before sending. However, you can turn on **REAL TIME TX**. Then place the documents in the feeder and enter the fax number. As soon as the phone line is free, the machine starts dialling and sending the fax.



- 1 Place the document in the feeder.
- 2 For the FAX-8350P, Press **Menu, 3, 9**.
For the MFC-9650/FAX-8750P, Press **Menu, 1, 3, 9**.
The screen displays

9 . REAL TIME TX

- 3 To change the default setting, press or to select **ON** (or **OFF**) and press **Set**. Go to Step 6. —OR— For the next fax transmission only, press or to select **NEXT FAX ONLY**.

REAL TIME TX : ON
SELECT ← → & SET

- 4 Press **Set**.

- 5 For the next fax only, press  or  to select **ON** (or **OFF**) and press **Set**.

ACCEPTED

NEXT
1.YES 2.NO

- 6 Press **1** if you want to select additional settings. The display returns to the **SETUP SEND** menu. —**OR**— Press **2** if you have finished choosing settings and go to Step 7.
- 7 Enter the fax number and press **Start**.

Basic Sending Operations

See
“Setup
Quick-Dial
Numbers”
chap. 7

See
“Setting
Station ID”
chap. 4

Composing an Electronic Cover Page

The cover page is sent to the receiving party’s machine. Your cover page includes the name stored in the One Touch or Speed Dial memory, if you have used this feature to start the call. If you’re dialling manually, the name is left blank.

The cover page indicates the fax is from your Station ID, and the number of pages you’re sending. If you have **COVERPG SETUP** set to **ON** (Function menu 3-1), the number of pages remains blank.

You can select a comment to include on your cover page, or you can select **NOTE OFF** if you do not wish to include a comment.

1.NOTE OFF

2.PLEASE CALL

3.URGENT

4.CONFIDENTIAL

As well as using one of the comments above, you can also enter up to two customized messages, each 27 characters long. Use the chart of “Entering Text” in chap. 4 to help enter characters.

5. (user defined)

6. (user defined)

Most of the **SETUP SEND** functions are temporary settings that allow you to make adjustments for each document you send. However, so you can set up your cover page and cover page comments in advance, the Cover Page Setup and Cover Page Message functions will change their default settings.

Cover Page for Next Fax Only

Make sure Station ID is set up (chap. 4). This feature does not work without the Station ID.

You can set the machine to send a cover page with a particular document. This cover page will include the number of pages in your document.

- 1 Insert the document in the feeder.
- 2 For the FAX-8350P, Press **Menu, 3, 1**.
For the MFC-9650/FAX-8750P, Press **Menu, 1, 3, 1**.
- 3 Press **Set** when the screen displays **NEXT FAX ONLY**.
- 4 Press or to select **ON** (or **OFF**).
- 5 Press **Set**.
- 6 Press or to view the comment selections.
- 7 Press **Set** when the screen displays your selection.
- 8 Enter two digits to indicate the number of pages you are sending. (Enter 00 to leave the number of pages blank.) If you make a mistake, press to back up and re-enter the number of pages.
- 9 Press **Set**. The screen displays

ACCEPTED

NEXT
1 . YES 2 . NO

- 10** Press **1** if you want to select additional settings. The display returns to the **SETUP SEND** menu. —OR— Press **2** if you have finished choosing settings and go to Step 11.
- 11** Enter the fax number you're calling.
- 12** Press **Start**.

Always Send Cover Page

Make sure Station ID is set up (chap. 4). This feature does not work without the Station ID.

You can set the machine to send a cover page whenever you send a fax. The number of pages in your fax is not included when you use this setting.

- 1** For the FAX-8350P, Press **Menu, 3, 1**.
For the MFC-9650/FAX-8750P, Press **Menu, 1, 3, 1**.
- 2** Press or to select.

COVERPAGE : OFF

COVERPAGE : ON

- 3** Press **Set** when the screen displays **COVERPAGE:ON**. (If you select **ON**, a coverpage is always sent when you send a fax.)
- 4** If you selected **ON**, the screen displays the cover page comment options. Press or to view comment selections.
- 5** Press **Set** when the screen displays your selection. The screen displays

ACCEPTED

NEXT
1 . YES 2 . NO

- 6** Press **1** if you want to select additional settings. The display returns to the **SETUP SEND** menu. —OR— Press **2** to exit if you have finished choosing settings.

Using a Printed Cover Page

If you prefer using a printed cover page that you can write on, you can print the sample page and attach it to your fax.

- 1 For the FAX-8350P, Press **Menu, 3, 1**.
For the MFC-9650/FAX-8750P, Press **Menu, 1, 3, 1**.
- 2 Press or to select **PRINT SAMPLE**.
- 3 Press **Set** when the screen displays your selection.
- 4 Press **Start**. Your machine prints a copy of your cover page.

=== COVER PAGE ===

TO: _____

FROM: _____

FAX: _____

TEL: _____

PAGE[S] TO FOLLOW

COMMENT:

Cover Page Message

You can set up two customized comments.

Composing Your Own Comments

- 1 For the FAX-8350P, Press **Menu, 3, 2**.
For the MFC-9650/FAX-8750P, Press **Menu, 1, 3, 2**.
The screen displays

2 . COVERPAGE NOTE

- 2 Use or to choose position 5 or 6 for your customized comment.
- 3 Press **Set**.
- 4 Use the dial pad to enter your customized comment.
- 5 Press **Set**. The screen displays

ACCEPTED

NEXT
1 . YES 2 . NO

- 6 Press **1** if you want to select additional settings. The display returns to the **SETUP SEND** menu. —OR— Press **2** to exit if you have finished choosing settings.

*See
“Entering
Text”
chap. 4*

Advanced Sending Operations



Overseas Mode

Sometimes, when sending a fax to overseas numbers, problems can be experienced. This mode makes the machine work better for such calls.

After you send a fax using this feature, the feature turns itself off.

- 1 Insert the document.
- 2 For the FAX-8350P, Press **Menu, 3, 5**.
For the MFC-9650/FAX-8750P, Press **Menu, 1, 3, 5**.

5 . OVERSEAS MODE

- 3 Press  or  to select **ON** (or **OFF**).
- 4 Press **Set** when the screen displays your selection. The screen displays

ACCEPTED

NEXT
1 . YES 2 . NO

- 5 Press **1** if you want to select additional settings. The display returns to the **SETUP SEND** menu. —OR— Press **2** if you have finished choosing settings and go to Step 6.
- 6 Enter the fax number you're calling.
- 7 Press **Start**.

Call Reservation (with an External Telephone)

You can send a fax and let the other party know that you want to speak to him after the fax transmission is complete. The other fax machine will ring as if it were receiving a telephone call; if the other party picks up the handset, your machine will ring. Lift the external telephone's handset and press **Tel** to have a conversation.

If you set Call Reservation and Call Back Message to **ON**, your machine leaves a fax message if the other party does not answer.

- 1 Insert the document in the feeder.

- 2** For the FAX-8350P, Press **Menu, 3, 6**.
For the MFC-9650/FAX-8750P, Press **Menu, 1, 3, 6**.
The screen displays the current setting for Call Reservation.

CALL RESERVE : OFF

CALL RESERVE : ON

- 3** Press **←** or **→** to select **ON** (or **OFF**).
4 Press **Set**, when the screen displays your selection. If you set Call Reservation **ON**, the screen displays the current setting for Call Back Message.

CALL MESSAGE : OFF

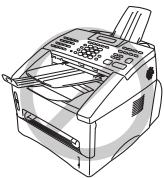
CALL MESSAGE : ON

- 5** Press **←** or **→** to select **ON** (or **OFF**).
6 Press **Set** when the screen displays your selection. The screen displays

ACCEPTED



NEXT
1 . YES 2 . NO

- 7** Press **1** if you want to select additional settings. The display returns to the **SETUP SEND** menu. —**OR**— Press **2** if you have finished choosing settings, and go to Step 8. The screen prompts you to enter the fax number you want to call.
8 Enter the fax number, and press **Start**.
9 If you've set Call Reservation to **ON**, pick up your external telephone's handset and press **Tel** if the machine rings.



You cannot use auto redial with Call Reservation. You cannot use Call Reservation with Delayed Transmission or with Polling. You must register your Station ID to set Call Back Message to **ON**.

Print Sample Call Back Message

- 1 For the FAX-8350P, Press **Menu, 3, 6**.
For the MFC-9650/FAX-8750P, Press **Menu, 1, 3, 6**.
- 2 Press  or  to select **PRINT SAMPLE**.
- 3 Press **Set**.
- 4 Press **Start**.

Delayed Transmission (Timer)



You can use this function to send a fax up to 24 hours later.

For the FAX-8750P, you can skip to Step 3 below by pressing the **Delayed Transmit** key.

- 1 Insert the document in the feeder.
- 2 For the FAX-8350P, Press **Menu, 3, 7**.
For the MFC-9650/FAX-8750P, Press **Menu, 1, 3, 7**.
- 3 Enter the time you want the fax to be sent, in 24-hour format (for example, enter 19:45 for 7:45 PM).
- 4 Press **Set**. The screen displays

1 . DOC 2 . MEMORY

- 5 Press **1** to select **DOC**. —OR— Press **2** to select **MEMORY**. If you select **1.DOC**, the machine will not start scanning the document until the preset time. The document must be left in the feeder.

ACCEPTED

NEXT
1 . YES 2 . NO



- 6 Press **1** if you want to select additional settings. The display returns to the **SETUP SEND** menu. —OR— Press **2** if you are finished choosing settings and go to Step 7. The screen prompts you to enter the fax number.

ENTER FAX NO.
THEN PRESS START

- 7 Enter the fax number, and press **Start**. The machine will wait until the time you have entered the fax number to send the fax.

Delayed Batch Transmission

Before sending the delayed faxes, your Brother machine will economize by sorting all the documents in memory by destination and scheduled time. All delayed faxes scheduled at the same time to the same fax number will be sent as one transmission.

- 1 For the FAX-8350P, Press **Menu, 3, 0**.
For the MFC-9650/FAX-8750P, Press **Menu, 1, 3, 0**.
- 2 Press  or  to select **ON** (or **OFF**) and press **Set**.

BATCH TX : ON
 SELECT ← → & SET

- 3 Press **Stop** to exit.

Broadcasting

Broadcasting is automatically sending the same fax message to multiple fax numbers. Using the **Help/Broadcast** or **Broadcast** key, you can include up to 32 One Touch locations, up to 100 Speed Dial locations, and up to 50 manually dialled numbers (maximum of 182 locations if you did not use up any locations for Groups, access codes or credit card numbers). However, available memory will vary with the types of jobs in memory and numbers of locations used for broadcasting. If you broadcast to more than the maximum locations available, you will not be able to set up transmissions using dual access and the timer.

The easiest way to broadcast is to first combine frequently used One Touch and Speed Dial numbers as a Group, which uses up a One Touch Key. (Remember, you can have up to six Groups and Quick Dial numbers can be included in more than one Group). Then by pressing **Help/Broadcast** or **Broadcast** between each location, you can include One Touch, Speed Dial, Groups, and manual dialling (using the dial pad) in the same broadcast. Use the **Tel-Index** to help you choose the numbers easily.

After the broadcast is completed, a Broadcast Report will be printed automatically to let you know the results.

- 1 Insert the document into the feeder.
- 2 Enter a number using One Touch, Speed Dial, Group number, Tel-Index or the dial pad.
Example: Group number
- 3 Press **Help/Broadcast** or **Broadcast**. You will be prompted to press the next number.
- 4 Enter the next number.
Example: Speed Dial

*See
“Setting Up
Groups for
Broadcasting”
chap. 7*

- 5 Press **Help/Broadcast** or **Broadcast**.
- 6 Enter the next fax number.
Example: Manual dialling, using the dial pad.
- 7 Press **Start**.

Your machine will read the documents into memory and then start sending faxes to all the numbers you entered.



- To stop the broadcasting in progress, press **Stop**. The display asks if you want to cancel all locations or just the location that is being sent to.
- Enter the long dialling sequence numbers as you normally would, but keep in mind that each key counts as one location, so the number of locations you can call becomes limited.
- If the line is busy or a connection could not be made for some other reasons while broadcasting, the machine will redial the number automatically.
- If the memory is full, press **Stop** to abort the job or press **Start** to send the portion that is in the memory (if more than one page has been scanned).
- When Broadcasting using a Group, Real Time TX needs to be set to OFF.

Multiple Resolution Transmission

Use this feature to select separate resolution settings for each page of the fax you're sending. This could be useful if you're sending a fax with photos and letters, or some pages with small print and others with normal print. Resolution settings return to **STANDARD** after the fax is sent.

- 1 Insert documents in feeder, then
for the FAX-8350P, Press **Menu, 3, 4**.
for the MFC-9650/FAX-8750P, Press **Menu, 1, 3, 4**.
- 2 Use **←** or **→** to select resolution for page 1, then press **Set**.
- 3 Repeat Step 2 for subsequent pages. Press **Stop** when you're finished. The screen displays

ACCEPTED

NEXT
1 . YES 2 . NO

- 4 Press **1** if you want to select additional settings. The display returns to the **SETUP SEND** menu. —OR— Press **2** if you have finished choosing settings.
- 5 Enter the fax number you're calling, and press **Start**.



If you want to copy a document using multiple resolutions, press **Copy** in Step 5.

Setup for Polling Transmit

Polling Transmit is when you set up your fax machine to wait with a document so another fax machine can retrieve it.

- 1 Place document to be retrieved in feeder.
- 2 For the FAX-8350P, Press **Menu, 3, 8**.
For the MFC-9650/FAX-8750P, Press **Menu, 1, 3, 8**.
- 3 The screen displays

POLLING : STANDARD
SELECT ← → & SET

- 4 Press or to choose **STANDARD**.
- 5 Press **Set**. The screen displays

1 . DOC 2 . MEMORY

- 6 Press **1** to select **DOC** if you want your machine to scan the printed document at the time it is polled. —**OR**— Press **2** to select **MEMORY**.

ACCEPTED

NEXT
1 . YES 2 . NO

- 7 Press **1** if you want to select additional settings. The display returns to the **SETUP SEND** menu. —**OR**— Press **2** if you have finished choosing settings and go to Step 8.
- 8 Press **Start**.

If you pressed **1** in Step 6, the printed document remains in the document feeder until your machine is polled. However, you can “interrupt” it to send another fax.

Setup for Polling Transmit with Secure Code

When you set **POLLING:SECURE** to on, anyone who polls your machine must enter the polling ID number. You can use Secure Polling only with another Brother fax machine.

*See
“Interrupting
Delayed Fax
and Polling
Transmit
Jobs”
in this
chapter*

- 1 Place document in feeder.
- 2 For the FAX-8350P, Press **Menu, 3, 8.**
For the MFC-9650/FAX-8750P, Press **Menu, 1, 3, 8.**
- 3 The screen displays

POLLING: STANDARD
SELECT ← → & SET

- 4 Press or to choose **SECURE**, and press **Set**.
- 5 Enter a four-digit number and press **Set**.

1 . DOC 2 . MEMORY

- 6 Press **1** to select **DOC** if you want your machine to scan the printed document at the time it is polled. —**OR**— Press **2** to select **MEMORY**.

ACCEPTED

NEXT
1 . YES 2 . NO

- 7 Press **1** if you want to select additional settings. The display returns to the **SETUP SEND** menu. —**OR**— Press **2** if you have finished choosing settings and go to Step 8.
- 8 Press **Start** and wait for the fax to be polled.

Cancelling a Job While Scanning the Document


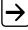
You can cancel a job while you are scanning it into memory by pressing **Stop**. Eject the document by pressing **Stop** again.

Cancelling a Job in Memory

You can cancel a job that is waiting in memory.

- 1 For the FAX-8350P, Press **Menu, 4.**
For the MFC-9650/FAX-8750P, Press **Menu, 1, 4.**
Any waiting jobs appear on the display. If nothing is waiting, the screen displays **NO JOB WAITING**.

4 . REMAINING JOBS

- 2 If you have more than two jobs waiting, use  or  to select the job you want to cancel. Press **Set** when the screen displays your selection.

—OR—

If you have only one job waiting, go to Step 3.

#02 SALES REPORT
1.CLEAR 2.QUIT

- 3 Press **1** to cancel. —OR— Press **2** to exit without cancelling. To cancel another job, return to Step 2.
- 4 Press **Stop** to exit.



You can check which jobs are remaining in memory by following Steps 1 and 2 above.

Interrupting Delayed Fax and Polling Transmit Jobs

You can send a fax without cancelling the Timer or Poll Waiting with documents in the feeder by “interrupting” it. When you interrupt the Timer to send a “new” set of documents, the machine will not automatically redial the number if it was busy. Also, you cannot use the function mode if you have interrupted the Timer or Poll Waiting.

- 1 For the FAX-8350P, Press **Menu, 5**.
For the MFC-9650/FAX-8750P, Press **Menu, 1, 5**.
- 2 Wait 2 seconds, then remove the documents that are waiting in the feeder.

INSERT DOCUMENT

- 3 Place the new document you want to send now in the feeder.
- 4 Enter the new fax number for the documents you want to send now.
- 5 Press **Start**.
- 6 After the transmission is finished, place the “old” documents back into the feeder.
- 7 For the FAX-8350P, Press **Menu, 5**,
For the MFC-9650/FAX-8750P, Press **Menu, 1, 5**,
to restore the timer.

CHAPTER SEVEN

Setup Quick-Dial Numbers

Storing Numbers for Easy Dialling

You can set up your machine to do three types of easy dialling: One Touch, Speed Dial and Groups for Broadcasting of faxes.

Storing One Touch Dial Numbers

*See
“One Touch
Dialling”
chap. 8*



You can store 32 fax/phone numbers that you can dial by pressing one key. You can also store names with these numbers. Even if you lose electrical power, numbers stored in memory will not be lost. When you press a One Touch key, the screen displays the name or number as the call is dialled.

*One Touch keys are not the dial pad keys. They are the 16 keys (numbers 1-32) located to the left of the dial pad. One Touch Numbers 17-32 are accessed by holding down **Shift** while you press the appropriate One Touch key.*

- 1** For the FAX-8350P, Press **Menu, 6, 1**.
For the MFC-9650/FAX-8750P, Press **Menu, 1, 6, 1**.
- 2** Press the One Touch key where you want to store a number. The screen displays the location you selected.
- 3** Enter a number (up to 20 digits).
- 4** Press **Set**. The screen prompts you to enter a name for this number.

NAME :
ENTER & SET

- 5** Use the dial pad to enter the name (up to 15 characters). You can use the chart of Entering Text in chap. 4 to help you enter letters.
—OR— Go to Step 6 to store the number without a name.

- 6 Press **Set**. The screen prompts you to select the type of number this is. Use  or  to select the type you want.

FAX a fax only number
TEL a telephone (voice) number
F/T both a fax and telephone (voice) number

- 7 Press **Set**.

- 8 Return to Step 2 to store another One Touch Dial number. —**OR**— Press **Stop** to exit.

When you dial a One Touch Dial number, the screen displays the name you've stored, or, if you haven't stored a name, the number you've stored.



- One Touch key no. 32 might be registered with your dealer's telephone/fax no. for use with the order form (See chap. 10).
- User can change the name and Fax number of One Touch key no. 32. In this case, the registered name and Fax number are put on the order sheet. (See "Order Form" chap. 10)

Storing Speed Dial Numbers

See
*"Speed
 Dialling"*
 chap. 8

You can store Speed Dial numbers, which you dial by pressing only three keys. There are 100 Speed Dial locations. Even if you lose electrical power, numbers stored in memory will not be lost.

- 1 For the FAX-8350P, Press **Menu, 6, 2**.
 For the MFC-9650/FAX-8750P, Press **Menu, 1, 6, 2**.
 The screen prompts you to enter a location.



SPEED-DIAL? #
 ENTER & SET

- 2 Use the dial pad to enter a two-digit location (00–99).
 3 Press **Set**. The screen displays your entry, then prompts you to enter the number you're storing.

#05 :
 ENTER & SET

- 4 Enter the number (up to 20 digits).
 5 Press **Set**. The screen now prompts you to store a name with this number.

NAME :
 ENTER & SET



- 6 Use the dial pad to enter the name (up to 15 characters). You can use the chart of “Entering Text” in chap. 4 to help you enter letters. —
OR— Press **Set** and go to Step 8 to store the number without a name.
- 7 Press **Set**.
- 8 The screen prompts you to select the type of number this is. Use  or  to select the type you want.

| | |
|------------|---------------------------------|
| FAX | a fax number |
| TEL | a telephone (voice) number |
| F/T | both a fax and telephone number |
- 9 Press **Set**.
- 10 Return to Step 2 to store another Speed Dial number. —**OR**— Press **Stop** to exit.

Changing One Touch and Speed Dial Numbers

If you try to store a One Touch or Speed Dial number in a location where a number is already stored, the screen displays the current name stored there, then prompts you to either change it or exit.

*01 : BROTHER
1 . CHANGE 2 . QUIT

- 1 Press **1** to change the number stored, or press **2** to exit without making a change.
- 2 Enter a new number.
 - If you want to erase the number, press **Clear** when the cursor is to the far left of the digits.
 - If you want to change a digit, use  or  to position the cursor under the digit you want to change, then enter it.
- 3 Follow the directions in Storing One Touch Dial or Speed Dial Numbers.

*See
“Storing
One Touch
Dial
Numbers”
and
“Storing
Speed Dial
Numbers”
in this
chapter*

Setting Up Groups for Broadcasting

Groups allow you to send the same fax message to many fax numbers by pressing only one One Touch key. (This is called Broadcasting.) **First**, you’ll need to store each fax number as a One Touch or Speed Dial number. **Then**, you can combine them into a Group. Each Group uses up a One Touch key. Finally, you can have up to 6 small Groups, or you can assign up to 131 numbers to one large Group.



You can include up to 32 One Touch locations, or up to 100 Speed Dial locations. If you broadcast to more than the maximum locations available, you will be unable to set up transmissions using Dual Access and the Timer.

- 1 For the FAX-8350P, Press **Menu, 6, 3.**
For the MFC-9650/FAX-8750P, Press **Menu, 1, 6, 3.**
The screen displays

SELECT ONE-TOUCH

- 2 Select a One Touch key where you wish to store the number. (For example, press One Touch key **02** to use as a Group.)

SETUP GROUP : GO
ENTER & SET

- 3 Use the dial pad to enter the Group Number (for example, press **1** for Group 1). Press **Set.**
- 4 To include One Touch or Speed Dial numbers in the Group, enter them as if you were dialing. For example, for One Touch key **05**, press One Touch key **05**. For Speed Dial location 09, press **Speed Dial**, then press **0, 9** on the dial pad. The LCD shows ***05, #09**.

G01 : *05#09_
ENTER & SET

- 5 Press **Set.** The screen prompts you to enter a name.

NAME :
ENTER & SET

- 6 Use the dial pad and the chart of “Entering Text” in chap. 4 to enter a name for the group (for example, NEW CLIENTS).
- 7 Press **Set.**
- 8 Press **Stop** to exit.



You can print a list of all One Touch and Speed Dial numbers. Group numbers will be marked in the column of “**GROUP**”. See chap. 10, “Printing Reports”.

CHAPTER EIGHT

Telephone (Voice) Operation

Making Voice Calls with an External Telephone

If you connect an external telephone to the machine, your fax machine can be used to make normal telephone calls. You can dial numbers, by using One Touch or Speed Dial memory, or using the dial pad.

Manual Dialling with an External Telephone

Manual dialling is simply pressing all of the digits of the phone number.

- 1 Pick up the external telephone's handset.
- 2 When you hear a dial tone, dial the number, using the dial pad.
- 3 To hang up, replace the external telephone's handset.

One Touch Dialling

- 1 Pick up the external telephone's handset.
- 2 When you hear a dial tone, press the One Touch key of the location you want to call.
- 3 To hang up, replace the external telephone's handset.

*See
"Storing One
Touch Dial
Numbers"
chap. 7*



If you try to use a One Touch location with no number stored in it, you hear a warning sound, and screen displays **NOT ASSIGNED**. The display returns to normal after 2 seconds.

If you are sending a fax, press **Start** after pressing the One Touch key. If you picked up the external telephone's handset, press **Start** when the receiving fax machine answers with fax tones.

See
“Storing
Speed Dial
Numbers”
chap. 7



Speed Dialling

- 1 Pick up the external telephone’s handset.
- 2 When you hear a dial tone, press **Speed Dial**, then press the two-digit Speed Dial number.
- 3 To hang up, replace the external telephone’s handset.

If you are sending a fax, press **Start** after pressing the Speed Dial number. If you picked up the handset, press **Start** when the receiving fax machine answers with fax tone.

Pause

Press **Redial/Pause** to insert a pause between digits to be dialled.

If your fax machine is connected to a PABX, you may need to insert an additional number prefix (e.g. “9”) and a “pause” before each fax or telephone number to gain access to the outside line. When you press **Redial/Pause**, a dash “-” will appear on the display. By storing a pause, you can create a delay of 3.5 seconds.



On Hook Dialling

- 1 Dial the number by using the dial pad or One Touch key, or **Speed Dial** and then two-digit Speed Dial number.
- 2 The number you are dialling, or the name you have stored for One Touch or Speed Dial is displayed on the LCD.
- 3 Press **Start**.
- 4 Pick up the external telephone’s handset and press **Tel** when you hear the other end from the monitor speaker.



When you make a call by pressing **Start** after dialling, you can listen to the other end of the line from the monitor speaker, but they can’t hear you unless you pick up the external telephone’s handset.

If you accidentally press **Tel** before lifting the external telephone’s handset, the call will be disconnected.



Searching Telephone Index

You can search for names you have stored in One Touch and Speed Dial memories. Names are stored alphabetically.

- 1 Press **Tel-Index**, then enter the first letter of the name you’re looking for.
- 2 Press  or  to search the memory.

See
“Storing One
Touch Dial
Numbers”
and
“Storing
Speed Dial
Numbers”
chap. 7

- 3** When the screen displays the name you want to call, press **Start** to begin dialling.
- 4** Pick up the external telephone's handset and press **Tel** when the other party answers. (The speaker works only one way; the other party won't be able to hear you unless you pick up the external telephone's handset.)
- 5** When the call is over, hang up.

Chain Dialling

You can store very long dialling sequences by dividing them and setting them up as One Touch and Speed Dial numbers. Then while dialling, you can combine two or more One Touch and/or Speed Dial numbers and even include manual dialling using the dial pad. You can use these numbers in any combination. The combined number will be dialled, in the order you entered it, as soon as you press **Start**.

For example:

You store "555" on One Touch key **01** and "7000" on One Touch key **02**. If you press One Touch **01**, **02** and **Start**, you can dial "555-7000". To temporarily change a number, you can substitute part of the number with manual dialling using the dial pad. So, if you press One Touch **01** and press "7001" using the dial pad, you can dial "555-7001".

Using access codes is easy. Sometimes you may want to choose from among several long distance carriers when you make a call; rates may vary depending upon the time and destination. To take advantage of low rates, you can store the access codes or long-distance carriers as One Touch and Speed Dial numbers.

Tone/Pulse

If you have pulse dialling service, but need to send tone signals (for telephone banking, for example), follow the directions below. If you have touch tone service, you do not need this feature to send tone signals.

- 1** Lift the external telephone's handset.
- 2** Press **#**. Any digits dialled after this sends tone signals.
- 3** When you hang up, the machine returns to pulse dialling service.

Fax/Tel (F/T) Mode

When you share one line for your telephone and fax machine, in the Fax/Tel (F/T) Mode, the fax machine can determine whether an incoming call is a fax or a telephone call.

*See
"Select
Answer
Mode"
chap. 5*

Tel Key

This key is used to enter into a telephone conversation having picked up the handset of an external telephone in F/T pseudo-ringing etc.

Also, if you press **Tel** when you are talking on the external telephone's handset the call is transferred to the fax machine's monitor speaker and the handset is muted. Pressing **Tel** key switches back to the handset.

CHAPTER NINE

Remote Fax Options

Setting Fax Storage

If you set Fax Storage to **ON**, you will be able to retrieve fax messages from another location, using Fax Forwarding or Remote Retrieval functions. The screen will indicate when you have a fax stored in memory.

- 1 For the FAX-8350P, Press **Menu, 8, 2**.
For the MFC-9650/FAX-8750P, Press **Menu, 1, 8, 2**.
The screen prompts you to choose a fax setting.

FAX STORAGE : OFF
SELECT ← → & SET

- 2 Press or to select **ON** (or **OFF**).
- 3 Press **Set** when the screen displays your selection.
- 4 Press **Stop** to exit.



If there are faxes in memory when you turn the Fax Storage **OFF**, the screen prompts you to erase any faxes in memory.

ERASE ALL DOC?
1 . YES 2 . NO

*See
"Printing a
Fax from
Memory"
chap. 5*

If you press **1**, all fax data is erased and Fax Storage is turned **OFF**. If the fax data in memory has not been printed before, it will be printed first, and then erased. If you press **2**, data is not erased, and Fax Storage remains **ON**.



Fax Forwarding

You cannot use Fax Forwarding when “Fax Storage” is set to **OFF**.

*See
“Changing
the Fax
Forwarding
number”
in this
chapter*

Programming a Fax Forwarding Number

When Fax Forwarding is set to **ON** and the machine has finished receiving a fax in memory, it dials the fax number you’ve programmed, and forwards the fax message.

- 1 For the FAX-8350P, Press **Menu, 8, 1**.
For the MFC-9650/FAX-8750P, Press **Menu, 1, 8, 1**.
- 2 Press  or  to select **ON** (or **OFF**).

FAX FWD: ON
SELECT ← → & SET

- 3 Press **Set**. The screen prompts you to enter the number of the fax machine where faxes will be forwarded.

FWD# :
ENTER & SET

- 4 Enter the forwarding number (up to 20 digits).
- 5 Press **Set**.
- 6 Press **Stop** to exit.

You can also dial into your machine from a remote location to switch this feature on, or to change the number you want your faxes forwarding to.

Changing the Remote Access Code

Enter your Remote Access Code when the fax machine picks up your call, so you can access features remotely. The access code is preset to 1 5 9 *, but you can change this.

- 1 For the FAX-8350P, Press **Menu, 8, 3**.
For the MFC-9650/FAX-8750P, Press **Menu, 1, 8, 3**.
- 2 Enter a three-digit number from 000 to 998. The * cannot be changed. Do not use the same digits that appear in your Remote Activation or Deactivation Code.
- 3 Press **Set**.
- 4 Press **Stop** to exit.

Remote Retrieval

Using Your Remote Access Code

To receive faxes at your location, you must call from a fax machine using touch tone. For convenience, you can retrieve faxes from a touch tone phone by having them sent to a fax machine. For example, if your hotel room does not have a fax machine, you can enter the number of the fax machine at the hotel's Front Desk.

- 1** Dial your fax number from a touch tone phone.
- 2** When your fax machine answers and beeps, immediately enter your Remote Access Code (the factory setting is 159*).
- 3** The fax machine signals the kinds of messages received:
 - 1 long beep—Fax message(s)**
 - No long beep—No messages**
- 4** The fax machine prompts you with two short beeps to enter a command. If you wait longer than 30 seconds to enter a command, the machine hangs up. If you enter an invalid command, the machine beeps three times.
- 5** Press **9 0** to reset the machine when you finish.
- 6** Hang up.



If your fax machine is set to Manual Mode, you can access your machine remotely by phoning it and letting it ring for about 100 seconds. Your fax machine will answer the phone after about 100 seconds of ringing, and you then have 30 seconds to enter your Remote Access Code.

Remote Commands

Follow the commands below to access features remotely. When you call the fax machine and enter your Remote Access Code (the factory setting is 159*), the system will signal you with two short beeps to enter a remote control command.

Change Fax Forwarding Setting

Press **9 5**

then to

Turn Fax Forwarding OFF—Press 1.

Turn Fax Forwarding ON—Press 2.

Program Fax Forward Number—Press **4**. Automatically, the machine will turn Fax Forwarding **ON**.

Turn Fax Storage ON—Press **6**.

Turn Fax Storage OFF—Press **7**. Only possible if there are no faxes in memory or all faxes have been erased (by using Remote Control **9 6 3**).

Retrieve a Fax

Press **9 6**

then to

Print a Memory Status List—Press **1**, then enter the number of remote fax machine and the **# #**. After the beep, hang up and wait.

Retrieve all faxes—Press **2**, then enter the number of remote fax machine and the **# #**. After the beep, hang up and wait.

Erase all fax messages—Press **3**. If the fax data in memory has not been printed before, it will be printed first, and then erased.

Check the Receiving Status

Press **9 7**

then for

Fax messages—Press **1**.

1 long beep—Received messages.

3 short beeps—No messages.

Change Answer Mode

Press **9 8**

then for

TAD—Press **1**.

Fax/Tel (F/T)—Press **2**.

Fax—Press **3**.

Exit Remote Operation

Press **9 0**

Retrieving the Memory Status List

You can retrieve the Memory Status List from a remote fax machine to see if you have any fax messages.

- 1 Dial your fax machine's number.
- 2 When you hear the beep, immediately enter your Remote Access Code (the factory setting is **1 5 9 ***).
- 3 When you hear two short beeps, use the dial pad to press **9 6 1**.
- 4 Using the dial pad, enter the number (up to 20 digits) of the remote fax machine where you want the Memory Status List forwarded, and then press **# #**.

You cannot use ***** and **#** as dial numbers. However, if you want to store a pause, press **#**.

- 5 After you hear your fax machine beep, hang up and wait.

Your fax machine calls the remote fax machine. Your fax machine then sends the Memory Status List to the fax machine that you are calling from.



Retrieving Fax Messages

- 1 Dial your fax machine's number.
- 2 When you hear the beep, immediately enter your Remote Access Code (the factory setting is **1 5 9 ***).
- 3 As soon as you hear two short beeps, use the dial pad to press **9 6 2**.
- 4 Using the dial pad, enter the number (up to 20 digits) of the remote fax machine where you want your fax messages forwarded, and then press **# #**.

You cannot use ***** and **#** as dial numbers. However, if you want to store a pause, press **#**.

- 5 After you hear your fax machine beep, hang up and wait.

Your fax machine calls the remote fax machine. The fax machine that you are calling from prints your fax messages.



Changing the Fax Forwarding Number

You can change the default setting of your fax forwarding number from a remote fax machine.

- 1** Dial your fax machine's number.
- 2** When you hear the beep, immediately enter your Remote Access Code (the factory setting is **1 5 9 ***).
- 3** When you hear two short beeps, use the dial pad to press **9 5 4**.
- 4** Enter the new number of the remote fax machine (up to 20 digits) where you want your fax messages forwarded, and then press **# #**.
- 5** To retrieve the Memory Status List, when you hear two short beeps, use the dial pad to press **9 6 1**.
- 6** Use the dial pad to enter the number of the remote fax machine (up to 20 digits), and then press **# #**.
- 7** After you hear your fax machine beep, hang up and wait.
Your fax machine calls the remote fax machine. Your fax machine then sends the Memory Status List showing the new forwarding number to the fax machine that you are calling from.
- 8** Check the forwarding number.
If the forwarding number is incorrect, return to Step 1 to reset it.

CHAPTER TEN

Printing Reports

Machine Settings and Journal

You can print the following lists and reports:

1. XMIT REPORT

If set to **ON** a Transmission Verification Report is printed after each Fax has been sent.

2. JOURNAL

Journal lists information about the last 50 incoming and outgoing faxes. TX means Transmit; RX means Receive.

3. QUICK-DIAL

Lists names and numbers stored in One Touch and Speed Dial memory, in numerical order.

4. TEL. INDEX

Quick-Dial list (above), alphabetically.

5. SYSTEM SETUP

Lists settings for **INITIAL SETUP**, **SETUP RECEIVE**, **SETUP SEND**, **PRINT REPORTS**, **REMOTE FAX OPT** and **MISCELLANEOUS**.


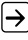
6. MEMORY STATUS

Lists summary information and amount of occupied memory.

7. ORDER FORM

If set to **ON**, an Accessories order form is printed, when you press **Start** during **CHANGE TONER** or **CHANGE DRUM SOON**.

To Print a Report


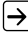
- 1 For the FAX-8350P, Press **Menu, 7**.
For the MFC-9650/FAX-8750P, Press **Menu, 1, 7**.
- 2 Enter the number (see list above) of the report you want to print. For example, press **4** to print the **TEL.INDEX**. For printing a Journal press **2**, then press  or  to choose **PRINT JOURNAL** and press **Set**.
- 3 Press **Start**.
- 4 Press **Stop** to exit.

Transmission Verification (Xmit) Report

You can use the Xmit Report as confirmation that you sent a fax. This report lists the name or fax number of the receiving party, the time and date of transmission, and if the transmission was successful.

When the feature is **OFF**, the report is printed automatically only if an error occurred during transmission. If the report indicates **ERROR**, send the document again. If the report indicates you should check the readability of certain pages, resend those pages.

If you typically send multiple faxes to the same destinations, you may need a reminder to identify each fax transmission. You can select **OFF+IMAGE** or **ON+IMAGE** to print a portion of the first page of the fax message on the report.



- 1 For the FAX-8350P, Press **Menu, 7, 1**.
For the MFC-9650/FAX-8750P, Press **Menu, 1, 7, 1**.
- 2 Press  or  to select **OFF, OFF+IMAGE, ON** and **ON+IMAGE**.
- 3 Press **Set**.
- 4 Press **Stop** to exit.





When the machine is idle, you can print the Transmission Verification Report by pressing **Verify** when you wish to confirm if the last transmission was successful or not.

Journal Period

You can set the machine to print activity reports at specific intervals (1, 3, 6, 12, 24 hours, 2, 4 or 7 days). If you set the interval to **OFF**, you can print the report by following the steps in the previous section.



- 1 For the FAX-8350P, Press **Menu, 7, 2**.
For the MFC-9650/FAX-8750P, Press **Menu, 1, 7, 2**.
- 2 Press  or  to display

JOURNAL PERIOD

- 3 Press **Set**.
- 4 Press  or  to choose your setting. If you choose 7 days, the screen prompts you to choose a day at which to begin the 7-day countdown.
- 5 When the screen displays the setting you want, press **Set**.
- 6 Enter the time to begin printing, in 24-hour format. (For example, enter 19:45 for 7:45 PM).
- 7 Press **Set**.
- 8 Press **Stop** to exit.

Order Form

If your machine is set to **ON**, you can print an accessories order form to your Brother dealer for service when you need to replace the drum or toner. During the screen displays **CHANGE TONER** or **CHANGE DRUM SOON**, when you press **Start**, your machine prints an accessories order form.

- 1 For the FAX-8350P, Press **Menu, 7, 7**.
For the MFC-9650/FAX-8750P, Press **Menu, 1, 7, 7**.
- 2 Use  or  to select **ON** or **OFF**.
- 3 Press **Set**.
- 4 Press **Stop** to exit.



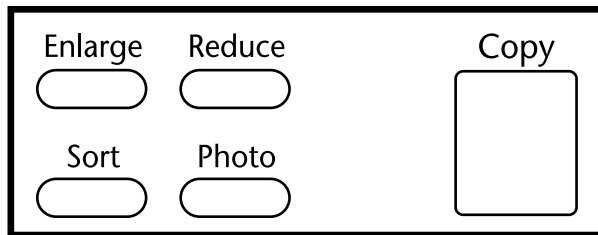
One Touch key no. 32 might be registered with your dealer's telephone/fax no. For use with the Order Form see chapter 10.

CHAPTER ELEVEN

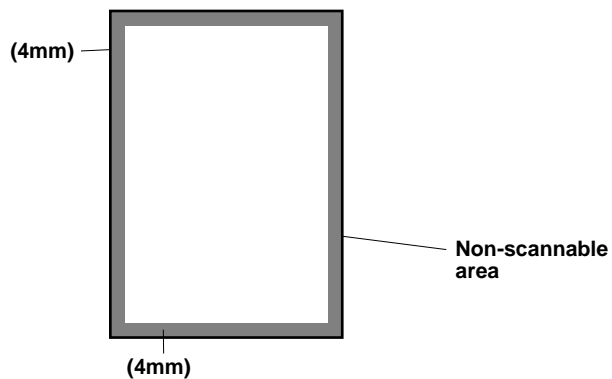
Making Copies

Using Your Machine as a Copier

You can use your machine as a copy machine, making up to 99 copies at a time. The machine can stack the copies or collate (sort) them.



The scannable area of your machine begins at approximately 4mm from the edge of the paper.





Copy Contrast

You can adjust copy contrast, making copies darker or lighter.

- 1 For the FAX-8350P, Press **Menu, 0, 3**.
For the MFC-9650/FAX-8750P, Press **Menu, 1, 0, 3**.

3 . COPY CONTRAST

- 2 Press  to make a copy lighter, or  to make a copy darker and press **Set**.
- 3 Press **Stop** to exit.
- 4 Press **Copy**.

Making a Single Copy

The default resolution for a single copy is Standard, which you can use for documents containing both text and photographs. You can also select S. Fine and Photo, as needed.

- 1 Insert the document face down in the feeder.
- 2 Press **Copy**, then wait five seconds for the document to feed to the start position. —OR— Press **Copy** again.

DO NOT pull the paper while copying is in progress.

Making Multiple Copies

There are two ways to make multiple copies on your machine. You can choose whether the copies will be STACKED (all copies of page 1, then all copies of page 2, etc.), or SORTED (collated). The default resolution for multiple copies is Standard.

Stacking Multiple Copies

- 1 Insert pages to be copied face-down in the feeder.
- 2 Press **Copy**.
- 3 Enter the number (1-99) of copies you want.
- 4 Wait five seconds. —OR— Press **Copy** again.

Sorting Multiple Copies

Sorting uses more memory than Stacking, as the whole document is scanned into memory to start with.

- 1 Insert pages to be copied face-down in the feeder.
- 2 Press **Sort**.
- 3 Enter the number (1-99) of copies you want.
- 4 Wait five seconds. —OR— Press **Copy**.

If You Get a Memory Full Message



If the memory becomes full while your scanning a document to be copied the screen displays

MEMORY FULL P.01
PRESS STOP KEY

If you were scanning the first page to be copied, press **Stop** to cancel the operation and restart to make a single copy. If you were scanning a subsequent page, you'll have the option to press **Copy** to copy the pages scanned so far —OR— press **Stop** to cancel.

Reducing and Enlarging Copies

AUTO sets the machine to calculate automatically the reduction ratio that fits the size of your paper. **MANUAL** allows you to enter a ratio from 50% to 200% in 1% increments.

- 1 Insert document face-down in the feeder.
- 2 Press **Enlarge** or **Reduce**.
- 3 Press  or  to select **AUTO**, **200%**, **150%**, **125%**, **120%**, **100%**, **93%**, **87%**, **75%**, or **50%**.
—OR—
You can select **MANUAL** and press **Set**, then use the dial pad to enter an enlargement or reduction ratio.
- 4 Press **Copy**.
- 5 Use the dial pad to enter the number of copies you want (up to 99).
- 6 Wait five seconds. —OR— Press **Copy** again.

Copying a Photograph

You can copy a photograph by pressing **Photo**, without pressing **Resolution**.

- 1 Insert the photo(s) face-down in the feeder.
- 2 Press **Photo**.
- 3 Use the dial pad to enter the number of copies you want (up to 99).
- 4 Wait five seconds. —**OR**— Press **Copy** again.

CHAPTER TWELVE

Setting Up the Machine and Computer to Work Together

(For MFC-9650/FAX-8750P Only)

Using Brother Machine with Your PC

Multi-Function Link® Unimessage Pro software (MFL Unimessage Pro) turns your Brother machine into a multi-function center, by enabling you to use your fax machine as a printer and a scanner and to use it to fax from Windows® applications in your computer.

The MFC-9650 is a 5 in 1 multi-function center. Install the Multi-Function Link® Unimessage Pro and other Brother software from the bundled CD-ROM.

The FAX-8750P is a 3 in 1 multi-function center—it's a Fax, Copier and Printer. Before you can print from Windows® on your PC, you must first follow the steps in this chapter to connect the Brother machine to your computer and to install the Brother printer driver from the bundled CD-ROM.

Before You Install Multi-Function Link[®] Unimessage Pro



If you have a USB cable (For Windows[®] 98 users only), see “Using a USB Cable to Connect Brother Machine to PC” in this chapter.



If you don't have a USB cable, see “Connecting Brother Machine to PC Using Parallel Cable” in this chapter.

Computer Requirements

Recommended system requirements for the communication software suite provided are:

- Windows[®] 95, 98, NT[®] Workstation Version 4.0
- IBM PC Pentium 120 (200 recommended) or higher
- 16 MB Ram [32 MB Highly Recommended]
- 50 MB of Hard Disk Space
- CD Rom Drive

NOTE: Use only a shielded Interface cable that is IEEE 1284 compliant and less than 2m (6.5 feet) long or a USB cable.

Separate software for Win 3.1/3.11 can be ordered from Brother if required.

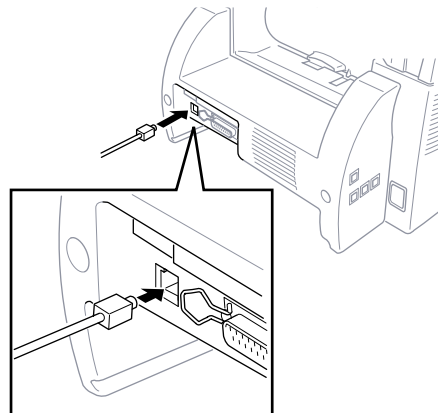
Using a USB Cable to Connect Brother Machine to PC for MFC-9650 (Using Windows[®] 98 Only)



Please find your Windows[®] 98 CD-ROM before you begin.

A USB cable is not included with your Brother machine. Before you can set up the USB interface, you must purchase a standard USB cable. Or, if you prefer to set up the parallel cable, please see “Connecting Brother Machine to PC Using Parallel Cable”.

- 1 After you have set up the MFC and checked that it is working properly, make sure your MFC is turned on and your PC is turned off.
- 2 Connect the USB cable to both the MFC and the PC.



- 3 Turn on your PC.

- 4 When the Add New Hardware Wizard screen appears, click **Next**.



- 5 Select **[Recommended]** and click **Next**.

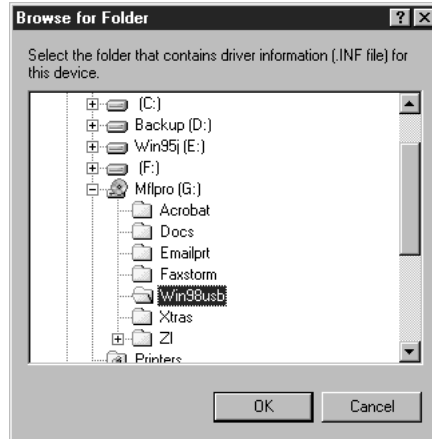


Installing Brother Software Using a USB Cable

- 1 Insert the MFL Unimessage Pro CD-ROM into your CD-ROM drive.
- 2 Select **Specify a location** and remove the other check marks, then click **Browse** to locate the file.



- 3 Double-click on the **CD** icon and click on the **Win98usb** folder, then click **OK**.



- 4 Select **Specify a location** and click **Next**.



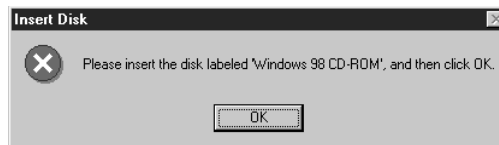
- 5 Select **[Recommended]** and click **Next**.



- 6 Confirm the choice is **Brother MFC USB Composite Device** and click **Next**.



- 7 When the Insert Disk Wizard appears, remove the MFL CD-ROM and insert your **Windows 98 CD-ROM** (to get the Windows® standard driver) and click **OK**.



- 8 After the file is copied, the Add New Hardware Wizard reappears. Remove the Windows 98 CD-ROM and reinsert the **MFL CD-ROM** and click **Finish**.



- 9 After the **MFC USB Composite Device** is installed and the Add New Hardware Wizard reappears, click **Next**.



- 10 Select **[Recommended]** and click **Next**.



- 11 Select **Specify a location** and click **Next**.



- 12** Confirm the choice is **Brother MFC USB Port(FaxModem)** and click **Next**.

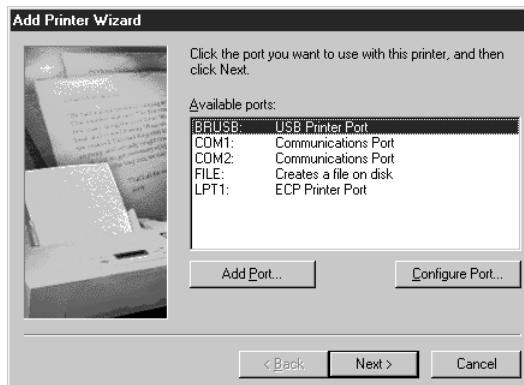


- 13** When the Add New Hardware Wizard displays the message that installation of the FaxModem and its USB driver is completed, click **Finish**.

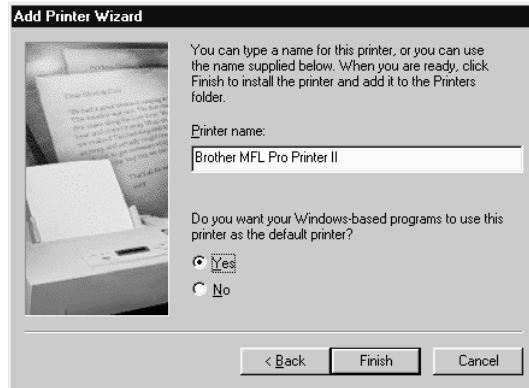


Repeat Steps 9-13 two more times (for the Scanner Driver, then Printer Driver).

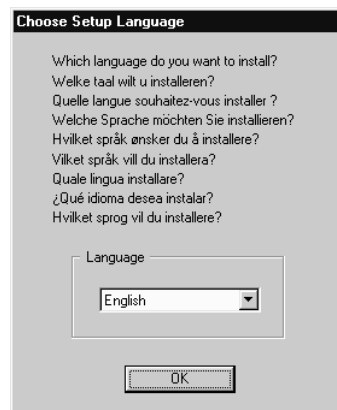
- 14** After the USB Composite Device, FaxModem, Scanner and Printer Driver have been installed, select **BRUSB: USB Printer Port** as the printer port and click **Next**.



- 15** Type **Brother MFL Pro Printer II** as the name of Printer name and click **Finish**.



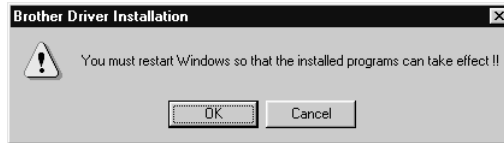
- 16** Select your language and click **OK**.



- 17** When the Add New Hardware Wizard displays the message that the software (drivers for FaxModem, Scanner and Printer) have been installed, click **Finish**.



18 Click **OK**. Windows will restart automatically.

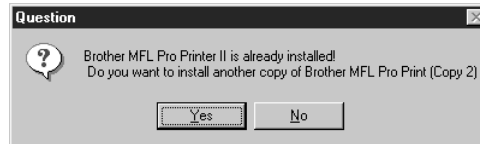


19 Reboot your PC. The MFL Unimessage Pro CD-ROM should auto run.



Please follow the on screen prompts to install the Multi-Function Link[®] Unimessage Pro software, which is described in the software's Quick Start Guide [supplied with the MFL Unimessage Pro CD-ROM].

If you have installed both the USB Drivers [as described in the chapter] and the Resource Manager [which uses the parallel port], you may be prompted with the message below. Click **No** to use the software via the USB port:-



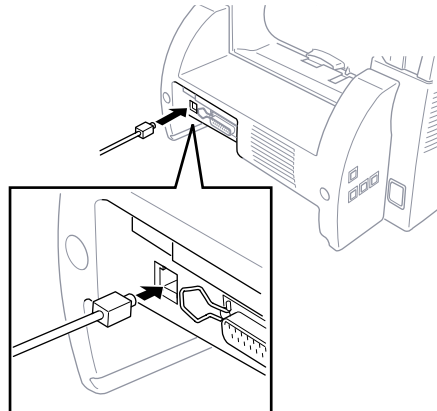
After you install the Multi-Function Link[®] Unimessage Pro Software and restart your PC, the MFC Remote Setup dialog box will be displayed on your PC screen. MFC Remote Setup allows you to quickly set up your MFC by taking advantage of the ease and speed of programming on your PC. When you access this application, the settings on the MFC will be displayed on your PC so you can change them as needed and then download them to the MFC.

Connecting Brother Machine to PC With a USB Cable for FAX-8750P (For Using Windows® 98 Only)



A USB cable is not included with your FAX-8750P. Before you can set up the USB interface, please purchase a standard USB cable. Or, to set up the parallel interface instead, please see “Connecting Brother Machine to PC Using Parallel Cable” in this chapter.

- 1 After you have set up the machine and checked that it is working properly, make sure the machine is turned on and the PC is turned off.
- 2 Connect the USB cable to both the machine and PC.



- 3 Turn on your PC. The Add New Hardware Wizard appears. Click **Next**.



- 4 Select **[Recommended]** and click **Next**.



Installing Brother Printer Driver Using USB Cable

- 1 Insert the Printer driver CD-ROM.
- 2 Select **Specify a location** and remove the other check marks, then click **Browse** to locate the file.



- 3 Double-click on the **CD** icon and click on the **W98usb** folder, then click **OK**.



- 4 Click **Next**.



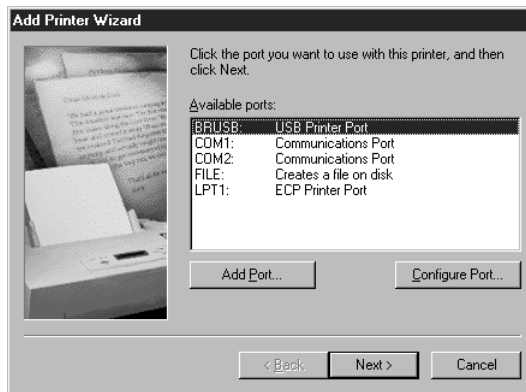
- 5 Select [**Recommended**] and click **Next**.



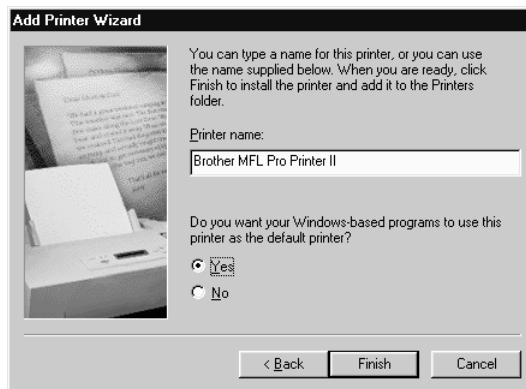
- 6 Confirm the choice is **Brother MFL Pro Printer II** and click **Next**.



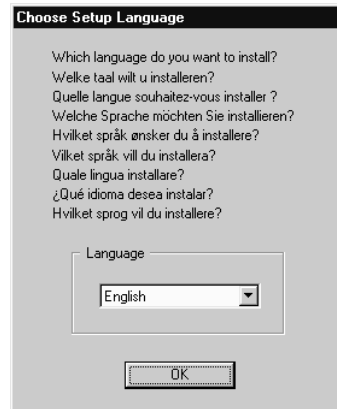
- 7 Select **BRUSB: USB Printer Port** and click **Next**.



- 8 Type **Brother MFL Pro Printer II** as the name of printer and click **Finish**.



- 9 Select your language and click **OK**.



- 10 Click **Finish**. This completes the installation of the Printer and its USB driver.



Installing True Type Fonts

True Type fonts are the fonts that are used in the Windows® operating systems. If you install the Brother True Type Fonts, more types of fonts will be available for Windows® applications.

For Windows® 95/98 and Windows NT® Workstation Version 4.0:

- 1 Insert the Brother CD-ROM drive for True Type Fonts.
- 2 Click on **Start**, then *Settings*, and select *Control Panel*.
- 3 In the *Control Panel* window, double-click on the *Fonts* folder.
- 4 In the *Fonts* window, select *Install New Font...* from the *File* menu.
- 5 Select your CD-ROM drive and select the font folder.
- 6 Select the fonts you want to install and click the **OK** button.

Software for your MFC-9650/ FAX-8750P

Software/Drivers

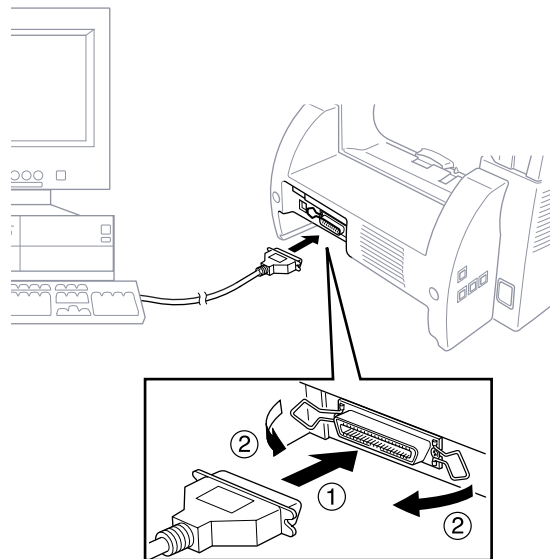
The following software is provided to optimize the use of your MFC-9650 and for the FAX-8750P, the Brother printer driver is provided. The software can run under Windows® 95, 98 and Windows NT® Workstation Version 4.0.

- **Printer Driver***- The printer driver creates the print data from the applications, controls transmission and makes settings for printing. It is necessary to install the MFC-9650/FAX-8750P printer driver into your PC for printing.
- **Scanner Driver***- The MFC-9650 scanner driver is TWAIN compliant. You can use the scanner directly from TWAIN compliant applications. In the scanner driver you can change settings for scanning.
- **Maintenance Utility for DOS-**
This is utility software running under MS-DOS. If you are not using Windows, you can use the machine's HP/Laserjet IIP emulation to print. Some settings which are unique to the machine and maintenance operations can be made with this utility.
- **MFL Unimessage Pro Software-**
This software allows you to send and receive faxes with your PC, please refer to the MFL Unimessage Pro Manual for further information. *The Brother Resource Manager must be installed to use this software.*

* These drivers are supplied within the Brother Resource Manager.

Connecting Brother Machine to PC Using Parallel Cable

- 1 Make sure you have an IEEE 1284 compliant, bi-directional parallel interface cable.
- 2 Disconnect the telephone line cord, then unplug the machine power cord from the electrical outlet before connecting the parallel interface cable.
- 3 Make sure your computer is off and unplugged from electrical power before you connect the interface cable.
- 4 Connect the interface cable to the parallel interface port on the back of the machine, and secure with the wire clips.
- 5 Connect the interface cable to the printer port of your computer, and secure with the two screws. (To locate your computer's printer port, see your computer's user guide.)



- 6 Ensure the machine is switched on before you plug the PC into the electric socket, then switch on the PC.



If you are using Windows® 95, after you connect Brother machine to Computer, you may see “New Hardware Found Brother MFCXXXX” during startup.

You can select “Do not install a driver (Windows® will not prompt you again).” and click **OK**, so Windows® will not display this dialog box again

—OR—

If you see “Update Device Driver Wizard”, Click **Next** to bypass the Windows® Plug and Play Printer Driver screens, followed by **Finish**.

If you are using Windows® 98, you may see the “Add New Hardware Wizard” during startup, follow the instructions from the installer, then click **Next**. Click **Finish** when it appears on the screen.

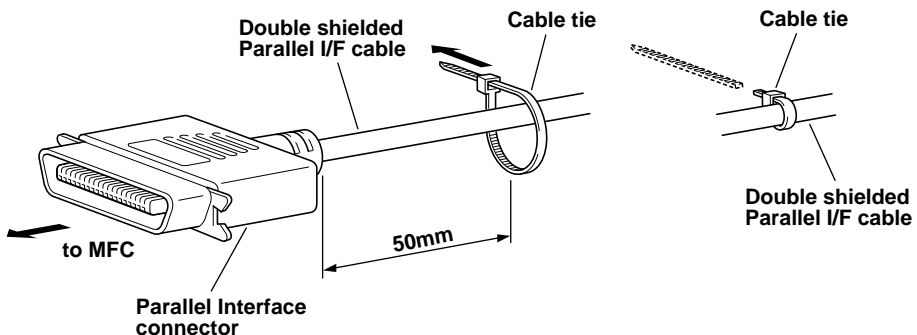
Notice to PC Users (For FAX-8750P Only)

A small filter core and cable tie are enclosed in the vinyl bag with your machine. PLEASE SAVE THESE PARTS. You will need them in the future if you connect your machine with a Personal Computer. And for optimal performance, use the Double Shielded Parallel Interface Cable with enclosed Filter core and Cable tie.

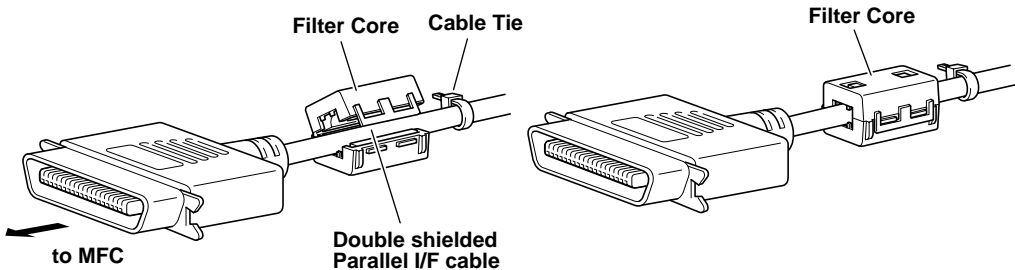
When you use a Personal Computer with your machine, please attach the enclosed Filter core to Double Shielded Parallel I/f Cable.

How to Attach the Filter Core to the Double Shielded Parallel I/f Cable:

- 1 Attach the Cable tie 50mm or less from Parallel Interface connector.



- 2 Attach the Filter core, pressing until you hear a click, between the Parallel Interface connector and the Cable tie.



Installing the Software/Drivers under Windows® for MFC-9650

All the software and drivers are supplied on a single CD. An Auto-Install program will guide you through most of the installation process.

- 1 Make sure that your machine is connected to your computer and that the machine is switched on.
- 2 Turn your computer on and start Windows®.
- 3 Insert the CD-ROM into your CD-ROM Drive. Windows® 95/98/NT4.0 will be detected automatically, and if possible the Auto-Installer will run automatically. If the Auto-Installer does not run after a few seconds, you can run it by:-
 - A) Click the **START** button and then select **RUN** from the **Start Menu**.
 - B) Type `X:\SETUP.EXE` [where X is your CD-ROM Drive] in the command line box.
 - C) Click on **OK**.

YOU CAN EXIT FROM THE AUTO-INSTALLER AT ANY TIME BY CLICKING ON THE ICON IN THE BOTTOM RIGHT HAND CORNER OF YOUR SCREEN.



- 4 From the Auto-Installer Select your preferred language by double clicking on it with your mouse.
- 5 The MFC-9650 is a parallel laser device so select this option, again by double clicking.
- 6 Select **STEP 1** and install the **Brother Resource Manager**. You can either install the software now or make floppies*. Follow the onscreen prompts and re-boot your PC when instructed to do so.

If you wish to install **MFL Unimessage Pro**, repeat Steps 3 to 5, then select **STEP 2** to install MFL Unimessage Pro. Again following the onscreen prompts and re-booting your PC when instructed to do so.

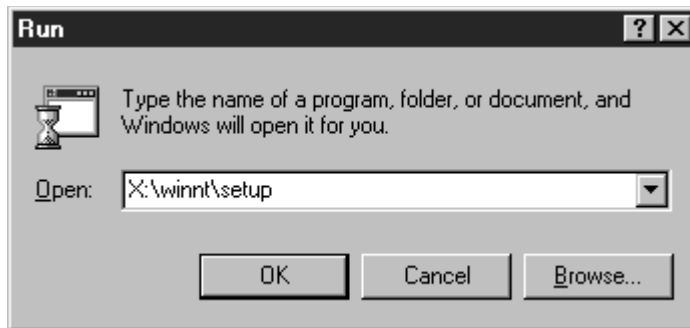
- 7 When installation is complete remove the CD-ROM from the drive.

* You can make floppy disks to install the software on another PC without a CD-ROM Drive. When making the floppy disks, label the first one **disk 1**, the second **disk 2** and so on until the program completes. To install from floppy insert **disk 1** in your floppy disk drive and type A:\SETUP.EXE" where A is your floppy disk drive [see step 3 for more details].

Installing FAX-8750P Printer Driver

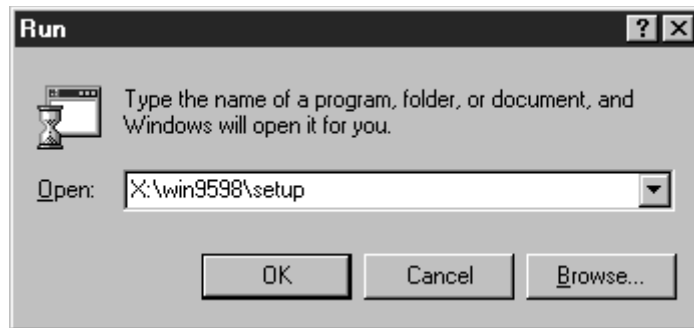
If you are using Windows NT® Workstation Version 4.0:

- 1 Insert the CD-ROM for the FAX-8750P printer driver into your CD-ROM Drive.
- 2 Click the **Start** button in the Task bar.
- 3 Select Run.
- 4 Enter X:\winnt\setup (where X is your CD-ROM Drive).



If you are using Windows® 95 or 98:

- 1 Insert the CD-ROM for the FAX-8750P printer driver into your CD-ROM Drive.
- 2 Click the **Start** button in the Task bar.
- 3 Select Run.
- 4 Enter X:\win9598\setup (where X is your CD-ROM Drive).



Installing the Maintenance Utility on MS-DOS®

How to Use the MFC with Your DOS Application Software

Before working with your application software that runs on DOS, check that the machine's name appears in the printer selection of your application software. If the machine is not listed, you must install the printer driver that corresponds to HP LaserJet IIP's emulations.

The following table shows combinations of printer drivers and emulation mode. To get the most out of this machine, you should install an HP printer driver in your application software.

| Printer driver supported in your application software | Emulation mode to be selected with the remote printer console program |
|---|---|
| HP LaserJet IIP™ | HP LaserJet IIP emulation mode |
| HP LaserJet II™ | Auto emulation selection |

- Be sure to choose the proper printer driver in your application software.
- Be sure the printing resolution is set to 300 dpi in your DOS application software.

What Does the Remote Printer Console Do?

The Remote Printer Console (RPC) is a utility program that can run in the DOS environment and comprises the following two programs:

Remote Printer Console Main Program

This program allows you to change various printer settings such as emulation, print quality, fonts, page setup etc., from your computer screen. Since most DOS applications have a Printer Settings menu that overrides the settings made by the RPC, you may not have to use this utility program. This utility program is useful for application software that does not control the printer's settings and features.

Printer Status Monitor Program

This utility program can monitor your printer's status using bi-directional parallel communications. This utility program stays resident in your computer memory (Terminate-and-Stay Resident program) and runs in the background.

Installing the Remote Printer Console

Before you install the program, make sure you have the following hardware and software to install the program:

| | |
|---------|---|
| DOS | Version 3.3 or later |
| Monitor | EGA/VGA or compatible |
| Option | Mouse; the mouse driver must be installed. (You can also operate the program with the keyboard.) |

Follow these steps to install the remote printer console program:

- 1 Make sure your machine is connected to your computer and it is set to Online.
- 2 Start your computer and go to the DOS prompt. If you are in Windows®, exit and return to the DOS prompt.
- 3 Insert the Brother CD-ROM into your CD-ROM drive (substitute your appropriate drive letter for "X").
- 4 At the DOS prompt (C:\>) type X: (X is the letter of your CD-ROM drive) and press Enter.

```
C:\>X:
```

- 5 Type CD DOS and press Enter.

```
X:\>CD DOS
```

- 6 Type RPCSETUP and press Enter.

```
X:\DOS>RPCSETUP
```

- 7 Follow the instructions from the installer.

Running the Remote Printer Console Main Program

Type `C:\RPCX>RPCX` and press the Enter key to start the Remote Printer Console main program.

The Main Screen will appear on your computer screen.

- Do not use this program from a DOS window running under Windows.

Using the Machine as a Printer

(For MFC-9650/FAX-8750P Only)

Special Printing Features

*See
“Brother
Drivers”
in chap. 12*

Windows® Printing

The dedicated printer driver and TrueType™ - compatible fonts for Microsoft® Windows® 95, 98 and Windows NT® Workstation Version 4.0 are available on the CD-ROM supplied with your machine. You can easily install them into your Windows® system using our installer program. The driver supports our unique compression mode to enhance printing speed in Windows® applications, and allows you to set various printer settings including economy printing mode and custom paper size.

Alternate Printer Emulation Support

This printer supports HP LaserJet IIP printer emulation mode. When you use DOS application software, you can use the emulation mode of HP LaserJet IIP to operate the printer. Use the Remote Printer Console program to set the printer emulation.

Remote Printer Console Program for DOS

The CD-ROM supplied with your machine provides you with Remote Printer Console (RPC), a utility program. When you operate your computer in the Disk Operating System (DOS) environment, this program lets you easily change the printer's default settings (such as fonts, page setup, emulations, etc.).

The RPC program also provides a status monitor program, a Terminate-and-Stay Resident (TSR) program. It monitors the printer status while running in the background, and reports the current status or errors on your computer screen.

Bi-directional Parallel Interface

The bi-directional interface lets the machine communicate with the computer, sending information about memory and printer setup conditions. The Remote Printer Console and Windows® 95, 98 or Windows NT® Workstation 4.0 drivers support the bi-directional mode and can report the printer status to the computer.

Enhanced Memory Management

The machine has its own Data Compression Technology, which automatically compresses graphic data and downloads font data efficiently into the printer's (machine's) memory. You can avoid memory errors and print most full-page, 600dpi graphic and text data, including larger fonts, with the machine's standard memory.

Printing From Your PC

Paper Cassette

The machine's paper cassette can feed plain paper and transparencies. When the machine receives data from your computer, it begins the print process by loading paper from the paper cassette.

- Select the print command from your PC.

Your PC sends a print command and data to the machine. The screen displays the date and time, and **RECEIVING DATA**. If there are more pages, the machine begins to print the next page automatically. When the machine finishes printing all data, it returns to online status.

You may select the proper paper source, paper size, and orientation in your application software.

If your application software does not support your custom paper size, select the next larger paper size. Then adjust the print area by changing the right and left margins in your application software.

When you use labels, envelopes, organizer paper, card stock or thicker paper, be sure to use the manual feed slot.



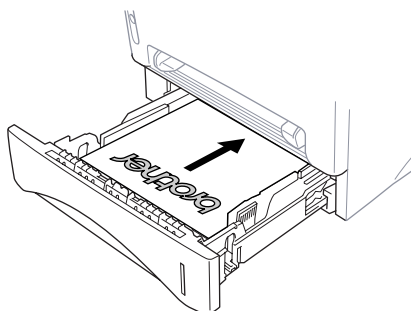
See
"Acceptable
Paper" in this
chapter



Two-Sided Printing (Manual Duplexing)

The supplied printer driver for Windows® 95, 98 and for Windows NT® Workstation Version 4.0 enables manual duplex printing. (For more information, see the Help screen for the printer driver.)

The machine prints all the even-numbered pages on one side of the paper first. Then, the Windows® driver instructs you (with a pop-up message) to reinsert the paper. Before reinserting the paper, straighten it well, or you may get a paper jam. Very thin or very thick paper is not recommended.



When you use the manual duplex function, it is possible that a paper jam may occur or the printer quality might not be satisfactory.

See
“Printing on
Thicker Paper
and Card
Stock”
in this
chapter



Manual Feed Slot

Your machine has a manual feed slot above the paper cassette. You can load envelopes and special print media *one at a time* into this slot. You do not have to remove paper from the paper cassette. (For information about acceptable paper, in this chapter.)

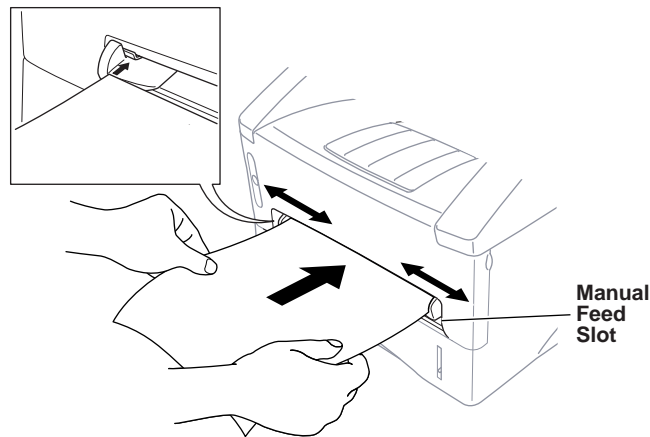
Use the manual feed slot to print or copy on labels, envelopes, card stock or thicker paper.

If you use labels and envelopes, they must be of a type suitable for use with a laser printer. If you use incorrect types it is possible to damage or contaminate the drum surface and cause printing problems.

Loading One Sheet of Paper

You do not have to choose manual feed in the Setup dialog box of your printer driver. Insert the sheet of paper for Portrait (vertical) or Landscape (horizontal), with the side you wish to print on face up in the manual feed slot.

- 1 Align the paper at the center of the manual feed slot, and be sure to insert it all the way.
- 2 Adjust the paper guide of the manual feed slot to the width of the paper you're using.



Loading more than One Sheet of Paper

- 1 Open the Setup dialog box of the Windows® printer driver and select Manual Feed in the Paper Source section. Follow Steps 1 and 2 above to load the first page. The machine starts printing automatically.
- 2 After the first page is printed, the screen displays:

MANUAL FEED
PRESS FF/CONT

Insert the next sheet of paper to resume printing.

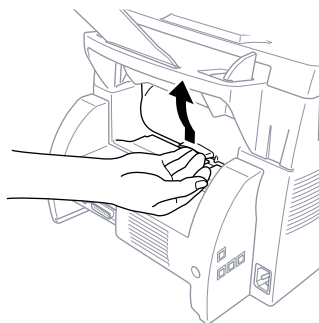
- 3 Repeat Steps 1 and 2 until you have finished printing.
- When you use the manual feed slot, it is best to first press **Print Priority**. This allows you to print PC data without interruption from incoming faxes. Incoming faxes will be stored in the machine's memory. (For MFC-9650 only)
 - To stop or clear the manual feed, turn the machine offline by pressing the **On/Off Line** key then, press **Shift** and **Test/Reset** — **OR**— you can stop it with a PC command. (For MFC-9650 only)
 - If you do not select manual paper feed, and insert a page in the manual feed slot, the machine will load the first page from the manual feed slot and subsequent pages from the paper cassette.



Printing on Thicker Paper and Card Stock

When the rear cover is lifted up, the machine has a straight paper path from the manual feed slot to the rear of the printer. Use this paper feed and output method when you want to print on envelopes, thicker paper or card stock.

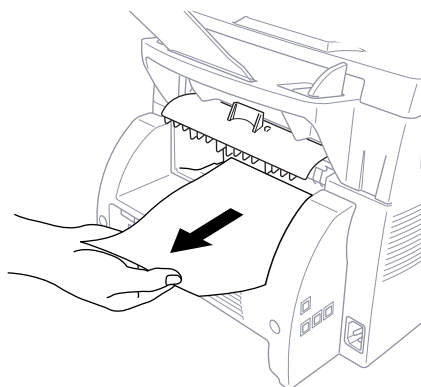
- 1 Select manual feed mode in the printer driver.
- 2 Send the print data as usual.
- 3 Lift up the rear cover at the rear of the machine.



- 4 Adjust the manual feed paper guides to the width of the paper you're using.
- 5 Insert a single sheet of paper into the manual feed slot until the front edge touches the paper feed rollers. Let go of the paper as the machine pulls it into position.
- 6 After the machine ejects the printed page, return to Step 5 to insert the next sheet of paper. The machine will wait until you insert the next sheet of paper. Repeat Steps 5 and 6 for each page to be printed.
- 7 When you have finished printing, close the rear cover of the machine.



To prevent the possibility of transparencies smudging as they stack in the output bin, remove each transparency after it exits.

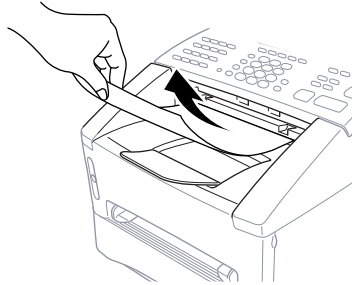


Face Down Output Bin

The machine ejects paper with printed surfaces *face down* into the output bin in the front of the machine. Unfold the output bin extension to support the printed pages.



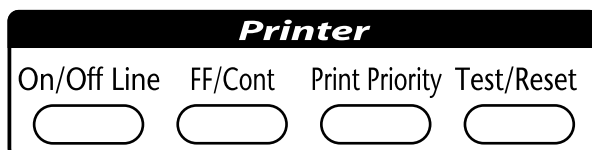
To prevent the possibility of transparencies smudging as they stack in the output bin, remove each transparency after it exits.



Simultaneous Printing/Faxing

Your machine can print data from your computer while sending or receiving a fax, or while scanning information into the computer. However, when the machine is copying or receiving a fax on paper, it pauses the PC printing operation, and resumes when copying or fax receiving is complete. Fax sending continues during PC printing.

Printer Operation Keys (For MFC-9650 Only)



On/Off Line Key

This key toggles the machine's On Line and Off Line print status, which appears on the display. If you press this key while printing, the machine stops printing and goes offline. Press **On/Off Line** again to resume printing.

FF/Cont Key

This key sets the machine for Form Feed, Continue (Cont) Key.

When the screen displays **REMAINED DATA**, press **On/Off Line**, then press **FF/Cont**. The machine prints any data remaining in the printer memory.

If an error occurs, such as a memory full condition, press **FF/Cont** to clear the error and continue operation.

Test/Reset Key

You can use this key to print a test sample page. If data remains in the printer memory, press **On/Off Line**, then press **Test/Reset** (the printer cannot print a test sample page if it is online). The machine prints a test sample page.

You can also use this key to clear data from the memory and to reset the printer to default settings. Press **Test/Reset** and **Shift** at the same time; all data is cleared from the printer memory.

Print Priority Key

When you press **Print Priority**, the machine enters printer mode, and will not print faxes on paper. Instead, faxes are stored in memory until you press **Print Priority** again.

Printer Menu Functions

Printing the Internal Font List

You can print a list of the machine's internal (or resident) fonts to see how each font looks before you select it.

- 1 Press **Menu**.
- 2 Press **2, 1, 1**.
- 3 Press **Start**. The machine prints the list.
- 4 Press **Stop** to exit.

Printing the Print Configuration List

You can print a list of current settings for the printer.

- 1 Press **Menu**.
- 2 Press **2, 1, 2**.
- 3 Press **Start**. The machine prints the settings.
- 4 Press **Stop** to exit.

Restoring Factory Default Settings

You can return the machine to original factory settings. Permanent fonts are restored, but macros are cleared. You can change user settings using the Remote Printer Console program.

- 1 Press **Menu 2, 2, 1**. The screen displays

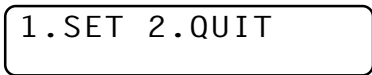
1 . RESET 2 . QUIT

- 2 Please choose **1** to restore the factory setting. —OR— Press **2** to exit without making a change.
- 3 Press **Stop** to exit.

Printing PC Data in Hexadecimal

You can print data as hexadecimal values, so that you can check data errors and problems. If you select **HEX DUMP MODE**, all PC data is printed hexadecimal. Reset by pressing **Shift** and **Clear** at the same time.

- 1 Press **Menu 2, 2, 2**. The screen displays



- 2 Press **1** to set PC to print in hexadecimal mode. —**OR**— Press **2** to exit.
- 3 Press **Stop** to exit.

Acceptable Paper

To achieve high quality printing from your machine, it's very important to select the right kind of paper. When the fax is used as a printer, the MFC can handle paper that has the following specifications. But please note that you can receive Fax messages ONLY on A4 cut sheet.

| Paper Type | Paper Size |
|---------------------------|---|
| Cut sheet | A4, Letter, B5, A5, A6, Executive, Custom size 70-216 x 116-356 mm (2.75-8.5 x 4.57-14 inches) |
| Envelopes | DL, C5, COM-10, Monarch |
| Post Card | 70-216 x 116-356 mm (2.75-8.5 x 4.57-14 inches) |
| Organizer | Day-Timer® J, K, L 70-216 x 116-356 mm (2.75-8.5 x 4.57-14 inches) |
| Labels and Transparencies | 70-216 x 116-356 mm (2.75-8.5 x 4.57-14 inches) |

Paper Capacity in Paper Cassette

Up to 27 mm (1.06 inches) in height (up to the mark) Approx. 250 sheets of 75 g/m² (20 lb), or 10 transparencies

| | Cut Sheet |
|------------------|--|
| Basis Weight | 17 to 28 lb. (64 to 105 g/m ²) |
| Caliper | 0.08 to 0.13 mm (0.003 to 0.005 in.) |
| Moisture Content | 4% to 6% by weight |
| Smoothness | 100 to 250 (Sheffield) |

Manual Feed Slot

| | Cut Sheet | Envelope |
|------------------|---|--|
| Basis Weight | 17 to 42 lb. (64 to 158 g/m ²) | 20 to 24 lb. (75 to 90 g/m ²) |
| Caliper | 0.08 to 0.2 mm (0.003 to 0.008 in.) | 0.084 to 0.14 mm (0.003 to 0.005 in.) |
| Moisture Content | 4% to 6% by weight | 4% to 6% by weight |
| Smoothness | 100 to 250 (Sheffield) | 100 to 250 (Sheffield) |

Recommended paper types:

- Cut sheet: Xerox 4200
- Label: Avery laser label or equivalent
- Transparency: 3M CG3300 for laser printers or equivalent
- Output Tray: Approx. 150 sheets of 75 g/m² (20 lb) A4/Letter paper

CHAPTER FOURTEEN

Optional Accessories

Memory Board

The memory board is installed on the main controller board inside the machine. When you add the optional memory board, it increases the performance modes for the fax operations.

Optional Memory for the Fax Operations

The FAX-8350P and MFC-9650 have 2 MB of memory and the FAX-8750P has 6 MB of memory. FAX-8350P and MFC-9650 can recognize 2 MB (**ME2050**) or 4 MB (**ME4050**) of Optional Memory. Be careful to purchase the appropriate memory board for your needs.

For the Fax

Additional memory is available and will expand the memory available for receiving faxes.

| Model Name | Optional Memory | Total |
|--|--------------------|--|
| FAX-8350P/MFC-9650 2 MB (up to 130 pages) | 2 MB or 4 MB | 4 MB (up to 260 pages) or 6 MB (up to 390 pages) |
| FAX-8750P with standard memory 6 MB (up to 460 pages) | Not available | — |

Using ITU-T #1 Chart with MMR coding and Standard Resolution.

Optional Memory Board is not available for FAX-8750P.



Optional Paper Tray

You can purchase the Paper Tray accessory (**LT400**) to use as a third paper source. The paper tray holds up to 250 sheets of 20 lb (75 m/g²) paper.

Network (LAN) Board (For MFC-9650 and FAX-8750P Only)

Installation of the optional NC-8000 allows the MFC-9650/FAX-8750P to be connected to an Ethernet network. This allows Internet Faxing, Network Scanning, Network printing and Network Management. The FAX machine can be managed using a standard WWW browser and Brother's BRAdmin32 application.

Internet FAX - Scan and send a document across the Internet as an attachment to an Email at the touch of a button. The document can be received by another MFC-9650/FAX-8750P with NC-8000 installed.

FAX Gateway - Use your MFC-9650/FAX-8750P as a Gateway for all your networked PCs, to send and receive faxes.

Network Scanner - Scan documents and forward them as an Email to Email Clients on the network.

Network Printer - Print documents from any Windows 95/98/NT4.0 PC over the network to your MFC-9650/FAX-8750P.

Protocol Support - The MFC-9650/FAX-8750P uses the TCP/IP protocol for network communication.

Network Speed - The NC-8000 operates at 10Mbits.

Further details can be found in the documentation supplied with the optional LAN Board (NC-8000).

CHAPTER FIFTEEN

Important Information

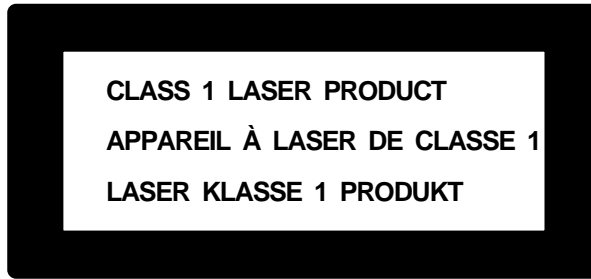
Important Safety Instructions

- 1** Read all of these instructions.
- 2** Save them for later reference.
- 3** Follow all warnings and instructions marked on the product.
- 4** Unplug this product from the telephone and AC sockets (in this order) before cleaning. Do not use liquid or aerosol cleaners. Use a damp cloth for cleaning.
- 5** Do not place this product on an unstable surface.
- 6** Slots and openings in the case and the back or bottom are provided for ventilation; to ensure reliable operation of the product and to protect it from overheating, these openings must not be blocked or covered. The openings should never be blocked by placing the product on a bed, sofa, rug, or other similar soft surface. This product should never be placed near or over a radiator or heater. This product should not be placed in a built-in installation unless proper ventilation is provided.
- 7** This product should be operated from the type of power source indicated on the label. If you are not sure of the type of power available, consult with your dealer or local power company.
- 8** This product is equipped with a 3-wire earthed plug. This plug will fit into only an earthed socket. This is a safety feature. If you are unable to insert the plug into the outlet, contact your electrician to replace your obsolete socket. Do not defeat the purpose of an earthed plug.
- 9** Do not allow anything to rest on the power cord. Do not locate this product where people can walk on the cord.
- 10** Do not place anything in front of the machine that will block received faxes. Do not place anything in the path of received faxes.
- 11** Do not touch a document during printing.

- 12** Never push objects of any kind into this product through cabinet slots, since they may touch dangerous voltage points or short out parts resulting in a risk of fire or electric shock. Never spill liquid of any kind on the product.
- 13** Do not attempt to service this product yourself, because opening or removing covers may expose you to dangerous voltage points and/or other risks. Refer all servicing to service personnel.
- 14** This product has no mains ON/OFF switch. It is therefore highly important that access to the mains plug and the mains socket to which the plug is connected, is never obstructed, in case for some reason the mains power to the machine must be quickly disconnected.
- 15** Unplug this product from the mains power and telephone line sockets, and refer servicing to qualified service personnel under the following conditions:
 - A** When the power cord is damaged or frayed.
 - B** If liquid has been spilled into the product.
 - C** If the product has been exposed to rain or water.
 - D** If the product does not operate normally when the operating instructions are followed. Adjust only those controls that are covered by the operating instructions. Improper adjustment of other controls may result in damage and will often require extensive work by a qualified technician to restore the product to normal operation.
 - E** If the product has been dropped or the cabinet has been damaged.
 - F** If the product exhibits a distinct change in performance, indicating a need for service.

IEC 825 Specification

This machine is a Class 1 laser product as defined in IEC 825 specifications. The label shown below is attached in countries where required.



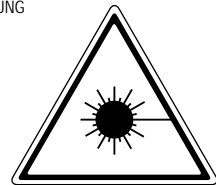
This machine has a Class 3B Laser Diode which emits invisible laser radiation in the Scanner Unit. The Scanner Unit should not be opened under any circumstances.

Caution

Use of controls, adjustments or performance of procedures other than those specified in this manual may result in hazardous radiation exposure.

The following caution label is attached near the scanner unit.

| | |
|------------------|--|
| CAUTION | INVISIBLE LASER RADIATION WHEN OPEN AND INTERLOCK OEFEATED. AVOID DIRECT EXPOSURE TO BEAM. CLASS 3B LASER PRODUCT. |
| ADVARSEL | USYNLIG LASER STRÅLING NÅR KABINETLÅGET STÅR ÅBENT. UNGDÅ DIREKTE UDSÆTTELSE FOR STRÅLING. KLASSE 3B LASER. |
| VARNING | OSYNLIG LASERSTRÅLNING HÅR DENNA DEL ÅR ÖPPNAD OCH SPÄRRAR ÅR URKOPPLADE. STRÅLEN ÅR FARLIG. KLASSE 3B LASER APPARAT. |
| VARO! | AVATTAESSA JA SUOJALUKITUS OHITETTAESSA OLET ALTTIINA NÄKYMÄTTÖMÄLLE LASERSÄTEILYLLE. ÄLÄ KATSO SÄTEESEEN. LUOKAN 3B LASERLAITE. |
| ADVARSEL | USYNLIG LASERSTRÅLING, UNNGÅ DIREKTE KONTAKT MED LASERENHETEN NÅR TOPPDEKSELET ER ÅPENT. KLASSE 3B LASERPRODUKT. |
| ATTENTION | RADIATIONS LASER INVISIBLES OUAND OUVERT ET VERROUILLAGE ENLEVE. EVITER EXPOSITIONS DIRECTES AU FAISCEAU. PRODUIT LASER CLASSE 3B. |
| VORSICHT | UNSICHTBARE LASERSTRAHLUNG WENN ABDECKUNG GEÖFFNET UND SICHERHEITSVERRIEGELUNG ÜBERBRÜCKT. NICHT DEM STRAHL AUSSETZEN. SICHERHEITSKLASSE 3B. |
| ATENCIÓN | RADIACIÓN LASER INVISIBLE CUANDO SE ABRE LA TAPA Y EL INTERRUPTOR INTERNO ESTÁ ATASCADO. EVITE LA EXPOSICIÓN DIRECTA DE LOS OJOS. PRODUCTO LASER CLASE 3B. |



Radio Interference (For 220-240 V Model Only)

This apparatus complies with EN55022 (CISPR Publication 22)/Class B and EN55024.

For Your Safety

To ensure safe operation the three-pin plug supplied must be inserted only into a standard three-pin power point which is effectively grounded through the normal household wiring.

The fact that the equipment operates satisfactorily does not imply that the power is grounded and that the installation is completely safe. For your safety, if in any doubt about the effective grounding of the power, consult a qualified electrician.

IEC 825 Laser Class

CLASS 1 LASER PRODUCT.

Disconnect device

The equipment must be installed near the socket outlet which must be easily accessible.

IMPORTANT

If the socket outlet is not compatible with the mains plug as fitted, then remove the plug from the mains cord and fit an appropriate three pin plug. If the replacement plug is intended to take a fuse then fit the same fuse as the original.

If a moulded plug is severed from the power cord then it should be destroyed because a plug with cut wires is dangerous if plugged into a live socket outlet. Do not leave it where a child might find it.

In the event of replacing the plug fuse, fit a fuse approved by ASTA to BS1362 with the same rating as the original fuse.

Always replace the fuse cover. Never use a plug with the cover omitted.

WARNING - THIS MACHINE MUST BE PROPERLY EARTHED.

The wires in the supplied main cord are the following colours:

Green and yellow: Ground

Blue: Neutral

Brown: Live

CHAPTER SIXTEEN

Troubleshooting and Maintenance

Troubleshooting

Error Messages

You may occasionally encounter a difficulty with your machine or telephone line. If this happens, your machine often identifies the problem and displays an error message. The list below explains the most common error messages, in alphabetical order.

| ERROR MESSAGES | | |
|----------------------------------|--|---|
| ERROR MESSAGE | CAUSE | ACTION |
| CHANGE DRUM SOON | The drum unit is near the end of its life. | If you have a print quality problem, replace the drum unit with a new one. |
| | The drum counter was not reset. | 1. Open the front cover and press Clear . 2. Press 1 to reset. |
| CHECK PAPER #1 CHECK PAPER #2 | The machine is out of paper or paper is not properly loaded in the paper cassette. | Refill the paper or remove the paper and load it again. |
| COMM. ERROR | A poor quality phone line caused communications error. | Try the call again |
| CONNECTION FAIL | You tried to poll a fax machine that is not in Polled Waiting mode. | Verify the other party's polling setup. |

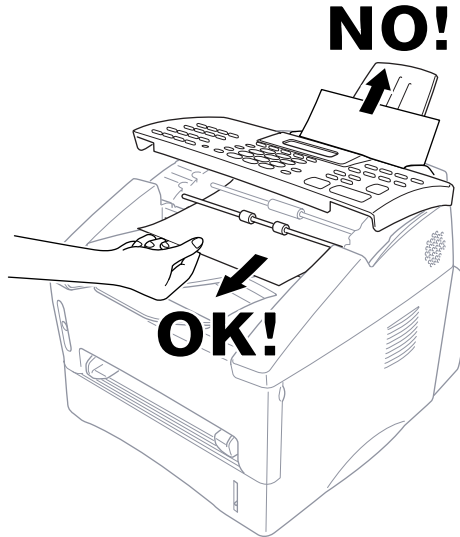
| ERROR MESSAGE | CAUSE | ACTION |
|--|--|---|
| COOLING DOWN | The temperature of the drum unit or toner cartridge is too hot. The machine will pause its current print job and go into cooling down mode. During the cooling down mode, you will hear the cooling fan running while the display on the machine shows COOLING DOWN . | You must wait and allow the machine to resume printing when it is ready. |
| COVER OPEN | The cover or cassette cover was not completely closed. | Open, then close, each cover. |
| DISCONNECTED | The other party or other party's fax machine terminated the call. | Try to re-transmit or call the other party to see what happened. |
| DOCUMENT JAM | Documents were not inserted or fed properly or document was too long. | Do not pull paper out until you see "Document Jam" in this chapter. |
| DOWNLOAD FULL (May occur when the fax machine is used as a printer.) | The download buffer is full. | Unplug the fax machine and plug it back in. Data remaining in the memory of the fax machine will be deleted. |
| MACHINE ERROR XX | Machine has a mechanical problem. | Unplug the machine. Then contact your Brother dealer for service. |
| MEMORY FULL (May occur when the fax machine is used as a printer.) | The fax machine memory capacity has been exceeded. | Unplug the fax machine and plug it back in. Data remaining in the memory of the fax machine will be deleted. <ul style="list-style-type: none"> • If you have installed the Windows® driver, try again after setting the True Type mode to "Print as Graphics" in the PRINT menu of your application software. • Reduce the print resolution or reduce the complexity of your document. • Expand the printer memory with the optional memory board. (ME2050 or ME4050) (Only FAX-8350P/MFC-9650) |

| ERROR MESSAGE | CAUSE | ACTION |
|-------------------------|--|---|
| NO RESPONSE/BUSY | The number you called does not answer or is busy. Or, you may have reached a number that is not connected to a fax machine. | Check the number and try again. |
| NOT ASSIGNED | You tried to access a One Touch or Speed Dial number that is not programmed. | Set up the One Touch or Speed Dial number. See chap. 7. |
| PLS CLEAN DRUM | The primary corona wire of drum unit is dirty. | Clean the primary corona wire of drum unit. (See "Cleaning the Drum Unit" in this chapter). |
| PLS OPEN COVER | A page, piece of paper or paper clip, etc. may be jammed inside the machine. | Open the front cover. If you see any jammed paper or other item, gently pull it out, then close the scanner unit. If the error message remains, open and close the front cover again. If the machine cannot reset itself and return to the date and time prompt, it will display MACHINE ERROR XX . Please call your Brother dealer for service. |
| PRINTER JAM | The recording paper is jammed in the machine. | Do not pull the paper out until you see next page. |
| TONER EMPTY | Toner cartridge is not installed. Toner is used up and printing is not possible. | Reinstall the toner cartridge. Replace the toner cartridge with a new one. (See "Replacing the Toner Cartridge" in this chapter). |
| CHANGE TONER | If the display shows CHANGE TONER and at the same time the Toner Empty LED on the control panel flashes on and off, you can still print. But the toner is depleted and the machine is telling you that the toner will soon run out. | Order a new toner cartridge now. |

Document Jam

The documents were not inserted or fed properly, or were too long.

- 1 Open the control panel.
- 2 Carefully pull the document toward the front of the machine.
- 3 Close the control panel and press **Stop**.



Printer Jam

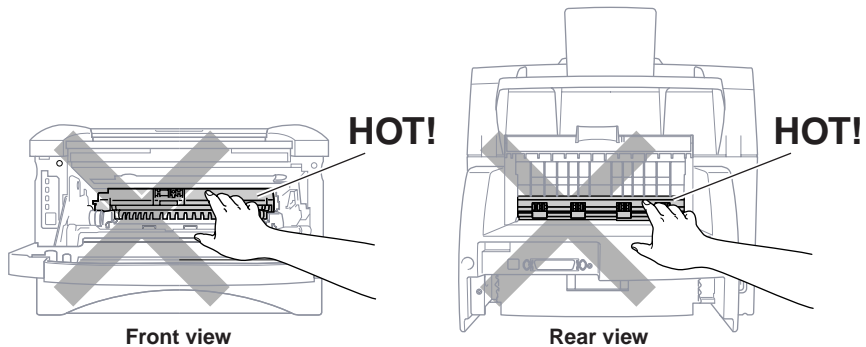
Before you can clear a paper jam error, you must find out where the paper is stuck.



WARNING

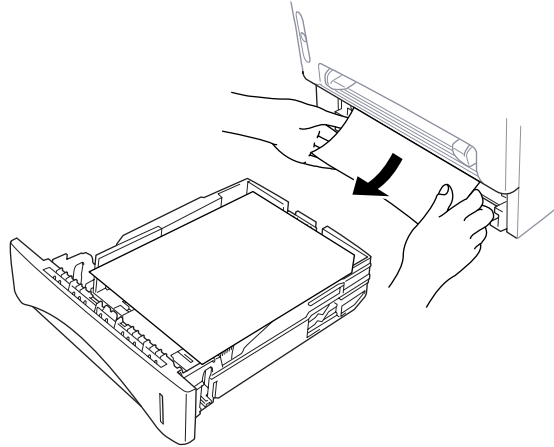
Do not force the jammed paper from the paper tray because you may damage the machine and cause toner to scatter.

After you have used the machine, some internal parts of the machine are extremely **HOT!** When you open the front or the rear cover of the machine, never touch the shaded parts shown in the following diagram.



Paper is Jammed in the Multi-purpose Paper Cassette

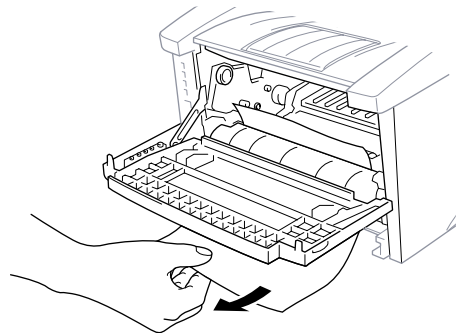
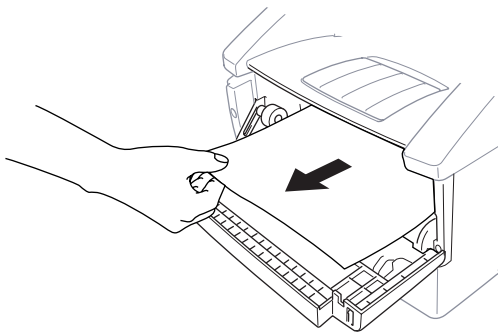
- 1 Pull the paper cassette out of the machine.
- 2 Remove any crinkled sheets.



- 3 Adjust the guides to fit.
- 4 Press down the paper to flatten it in the paper cassette.
- 5 Reinstall the paper cassette.

Paper is Jammed near the Drum Unit

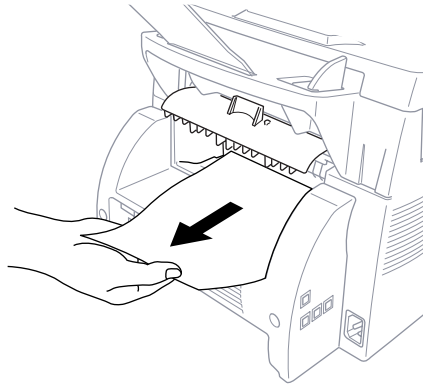
- 1 Open the front cover.
- 2 Remove the drum unit but do not force it if it cannot be removed easily. Instead, pull the edge of the jammed paper from the paper cassette.



- 3 Gently pull out the jammed paper.
- 4 Reinstall the drum unit.
- 5 Close the front cover.

Paper is Jammed in the Fuser Unit

- 1 Open the rear cover.
- 2 Carefully pull out jammed paper. When you have to pull paper out the back of the machine, the fuser may get dirty with toner powder causing the next few printed page(s) to look messy. Print a few copies of the test page until the pages print clearly.



- 3 Close the rear cover.

If You Are Having Difficulty with Your Machine


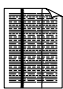

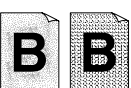



If you think there is a problem with your machine, make a copy first. If the copy looks good, the problem is probably not your machine. Check the table below and follow the troubleshooting tips.

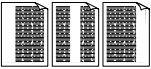

| | DIFFICULTY | SUGGESTIONS |
|--------------------------------|---|---|
| ► Display | The screen does not display the date and time. | If your machine is set to Power Save Mode ON, the date and time is not displayed while your machine is idle, to display date and time continuously turn Power Save Mode to OFF. |
| ► Printing and Receiving Faxes | Condensed print and horizontal streaks/top and bottom of sentences are cut off. | If your copy looks good, you probably had a bad connection, with static or interference on the phone line. If a copy looks worse, then call your Brother dealer for service. |
| | Vertical streaks/black lines appear on the fax you receive | Sometimes you may see vertical streaks/black lines on the faxes you receive. Either your machine's primary corona wire for printing may be dirty, or the sending party's fax scanner may be dirty. Clean your primary corona wire, or ask the sender to make a copy to see if the problem is with the sending machine. Try receiving from another fax machine. If the problem continues, call Brother dealer for service. |
| | Machine "hears" voice as CNG tone | If your machine is set to Fax Detect ON, and it answers voice calls by trying to receive a fax, try turning Fax Detect to OFF. |
| ► Phone Line or Connections | Horizontal streaks | You may get a fax with horizontal streaks or with missing lines. Usually this is caused by a poor telephone connection. Ask the other party to send the fax again. |
| | Dialling does not work | Check for a dial tone. Change TONE/PULSE setting (see chap. 4). Check all line cord connections. Check power cord connection. Send a manual fax by lifting the external telephone's handset, and dialling the number. Wait to hear fax receiving tones before pressing Start . |
| | The machine does not answer when called | Make sure the machine is in the correct receiving mode for your setup (either Fax, Fax/Tel (F/T) or TAD). Check for dial tone. If possible, call your machine to hear it answer. If there is still no answer, check the telephone line cord connection. If there is no ringing when you call your machine, call your Telephone Company to check the line. |
| | No dial tone on the external telephone's handset | Lifting the external phone's handset — OR — press any dial pad key then Start . If you hear no dial tone, check telephone line cord connections at the machine and wall socket. Check that the external telephone is connected to the machine correctly. Test the wall socket with another single line telephone. If no dial tone on the wall outlet, call your Telephone Company. |
| | | |

► Sending Faxes

| DIFFICULTY | SUGGESTIONS |
|---|---|
| Poor transmitting quality | Try changing your resolution to FINE or SUPERFINE (see chap. 6) Make a copy to verify the machine's scanner operation. |
| Transmission verification prints "Results:NG" | There is probably temporary noise or static on the phone line. Try sending the fax again. If the problem continues, call the Telephone Company to check your phone line. |
| When the receiving party says the picture is not clear | Sometimes the resolution mode you chose when you sent your fax may not have been appropriate. Send the fax again, but try using the FINE or SUPERFINE mode. Also, your machine's scanner may be dirty, so try cleaning it. |
| When the receiving party says vertical streaks appear on the faxes they receive | Your machine's scanner may be dirty or the receiving party's print head may be dirty. Clean your scanner and make a copy to check if the problem was caused by your machine. |
| ► Handling Incoming Calls | |
| F/T pseudo-ring in Fax/Tel (F/T) Mode. | The machine knows the incoming call is not a fax so it is signalling you to answer the telephone call. Pick up the external telephone's handset and press Tel or answer from an extension phone and press your machine's Deactivation Code (default setting is #51). |
| Transferring a fax call to the machine. | If you answered at the machine, press Start and hang up immediately. If you answered at an extension phone, press your Remote Activation Code (default setting is *51). When your machine answers, hang up. |
| ► General Printing Difficulties (For MFC-9650/ FAX-8750P only) | |
| The machine does not print. | Make sure the machine is plugged in. The toner cartridge and drum unit are installed properly. The interface cable is securely connected between the machine and computer. Check to see if LCD is showing an error message. |
| The machine prints unexpectedly or it prints garbage. | Unplug it. Make sure your application software is correctly set up to use the machine by checking the primary settings in your application software. |
| The machine cannot print full pages of a document. | The machine received a very complex print job and could not process part of the page. This may be solved in several ways. If you are using Windows® 95, 98 or Windows NT® Workstation Version 4.0 with the supplied printer driver, see the "Windows® Setup Printing Problems" section. Try to reduce the complexity of your document or reduce print resolution. |
| The machine prints the first couple of pages correctly, then some pages have text missing. | Your computer is not recognizing the printer's "input buffer full" signal. Please make sure you connect the printer cable correctly. |
| The machine cannot print full pages of a document. A MEMORY FULL error message occurs. | Reduce the printer resolution. Reduce the complexity of your document and try again. Reduce the graphic quality or the number of font sizes within your application software. Expand the printer memory by installing one of the optional memory boards. (For FAX-8350P/MFC-9650 only) |

| | DIFFICULTY | SUGGESTIONS |
|--|--|--|
| | My headers or footers appear when I view my document on the screen but do not show up when I print them. | Most laser printers have a restricted area that will not accept print. Usually these are the first two lines and last two lines, leaving 62 printable lines. Adjust the top and bottom margins in your document to allow for this. |
| ► Windows® Setup Printing Difficulties (For MFC-9650/FAX-8750P only) | I cannot print from my application software. | Make sure the Windows® printer driver is installed and you select it in your application software. |
| ► DOS Setup Printing Difficulties (For MFC-9650/FAX-8750P only) | I cannot print from my application software. | Check that the DOS application software interface settings match those of your printer: for example, if you are using a parallel printer cable, you would probably set your DOS software printer port to LPT1. Check for an error message on the LCD. |
| | The machine prints, but it prints incorrect information. Sometimes it prints a couple of characters and then ejects the page, etc. | This is an indication that your application printer emulation setting and the machine's printer emulation do not match. Check your application software to make sure you selected the correct printer driver. |
| ► Paper Handling Difficulties | The machine does not load paper. | Check to see if the CHECK PAPER or PRINTER JAM message appears on the LCD. If so, the paper cassette may be out of paper or not properly installed. If it is empty, load a new stack of paper into the cassette. If there is paper in the paper cassette, make sure it is straight. If the paper is curled, you should straighten it. Sometimes it is helpful to remove the paper, turn the stack over and put it back into the paper cassette. Reduce the amount of paper in the paper cassette, then try again. Check the manual feed mode is not selected in the printer driver (MFC-9650/FAX-8750P). |
| | The machine does not load paper from the manual feed slot. | Reinsert the paper firmly, one sheet at a time. Make sure that manual feed mode is selected in the printer driver (MFC-9650/FAX-8750P). |
| | How can I clear paper jams? | See "Printer Jams". |
| ► Copy Quality Difficulties | Vertical streaks appear in copies | Sometimes you may see vertical streaks on your copies. Either the scanner or the primary corona wire for printing is dirty. Clean them both. |
| ► Print Quality Difficulties | Printouts are too dark or light | Adjust the print conditions by setting the Print Density function. It has been factory set to the middle position. See "Setting the Print Density" in chap. 5. |

| DIFFICULTY | SUGGESTIONS |
|--|--|
| <p>Printed pages contain white stripes.</p>  <p>White Stripes or Faint Images</p> | <p>You may fix this by wiping the scanner windows with a clean soft cloth. (See “Regular Maintenance” and “Cleaning the Drum Unit” in this chapter.) If you still see white stripes or faint images and the display shows CHANGE DRUM SOON, replace the drum unit with a new one. Check the machine’s environment. Conditions such as humidity, high temperatures, etc. may cause this print defect to occur.</p> |
| <p>Printed pages are stained with toner or have vertical stripes.</p>  <p>Dark Stripes or Toner Stains</p> | <p>Clean the machine’s interior and the primary corona wire of drum unit. See “Regular Maintenance” and “Cleaning the Drum Unit” in this chapter. Make sure that the tab of the corona wire is at the home position. If after cleaning, you still see dark stripes or toner stains and the display shows CHANGE DRUM SOON, replace the drum unit with a new one.</p> |
| <p>Printed pages have white spots in black text and graphic areas.</p>  <p>White Spots</p> | <p>Make sure that you use paper that meets the specifications. Rough surface or thick media can cause the problem. If you still see white spots and the display shows CHANGE DRUM SOON, replace the drum unit with a new one. Check the machine’s environment; conditions such as high humidity may cause this situation to occur.</p> |
| <p>Toner scatters and stains the printed page.</p>  <p>Scattering Toner</p> | <p>Adjust the print conditions by setting the Print Density function. Clean the machine’s interior. See “Regular Maintenance” and “Cleaning the Drum Unit” in this chapter. Make sure that you use paper that meets specifications. See chap. 13. If you still have scattered toner and the display shows CHANGE DRUM SOON, replace the drum unit with a new one. Check the machine’s environment; high temperature and high humidity conditions may cause this condition to occur.</p> |
| <p>The whole page is printed black.</p>  <p>Black Page</p> | <p>Clean the machine’s interior and the primary corona wire of the drum unit. Also, do not use heat-sensitive paper as it will cause this problem. After cleaning, if the printed pages are still black or the display shows CHANGE DRUM SOON, replace the drum unit with a new one. The drum unit may be damaged.</p> |
| <p>Nothing is printed on the page.</p>  <p>White page</p> | <p>Make sure that the toner cartridge is not empty. Wipe the electric terminals referring to “Regular Maintenance” and “Cleaning the Drum Unit” in this chapter. Make sure that a torn piece of paper does not remain on the scanner window.</p> |
| <p>Printed pages are marked regular intervals.</p>  <p>Example of Regular Marking</p> | <p>Markings may disappear by themselves. Try copying at multiple pages to clear this problem. Markings may occur if the machine has not been used for a long time. A possible cause is that the surface of the drum is marked or damaged by excessive exposure to light. In this case, replace the drum unit with a new one.</p> |

| DIFFICULTY | SUGGESTIONS |
|--|--|
| <p data-bbox="422 314 670 369">Printed pages are blurred at the center or at either edge.</p>  <p data-bbox="485 510 605 533">Blurred Page</p> | <p data-bbox="684 314 1226 591">Certain environmental conditions such as humidity, high temperatures, etc. may cause this condition to occur. Make sure the machine is placed on a flat, horizontal surface. Remove the drum unit with the toner cartridge installed. Try rocking them from side to side. You may clear a blurred page by wiping the scanner windows with a clean soft cloth. (See “Regular Maintenance” and “Cleaning the Drum Unit” in this chapter.) If a blurred page occurs after cleaning and the display shows CHANGE DRUM SOON, replace the drum unit with a new one.</p> |
| <p data-bbox="422 610 642 664">Ghost images appear on printed page.</p>  <p data-bbox="485 757 605 780">Ghost Images</p> | <p data-bbox="684 610 1212 749">Adjust the print conditions by setting the Print Density function. Make sure that you use paper that meets the specifications. Rough surfaces or thick media can cause a ghost image. Make sure that you select the appropriate media type in the printer driver (MFC-9650/FAX-8750P).</p> |



The drum unit is a consumable and it is necessary to replace it periodically.

Problem Using Applications which Use Special Comms Drivers, such as the HP Pavilion PC and the “HP DEMO” Screen Saver

Some applications may use custom comm. drv files which will conflict with the files used by MFL Unimessage Pro. In such a case it will be necessary to edit the SYSTEM. INI file as outlined below:

Installing the “HP Demo” screen saver on your HP Pavilion PC after you have installed the MFL Unimessage Pro software will overwrite the SYSTEM. INI file and you cannot use the Brother MFC to print, scan or for Remote Set up. Then you will have to edit the SYSTEM. INI file as follows:

```
[boot]
;comm.drv=comm115.drv
comm.drv=brmfcomm.drv

[386Enh]
DEVICE=C:\WINDOWS\SYSTEM\Bi-Di.386
```

If you do not want to edit the SYSTEM. INI file, please change the screen saver and Re-install MFL Unimessage Pro again.

Bi-directional Parallel Ports (nibble and byte modes)

The machine supports both nibble (AT) and byte (Bi-directional) mode parallel ports. If your PC supports byte mode, scanning and fax reception will be at a faster speed. To verify or change the parallel port mode, please check your system BIOS in the CMOS Setup or *contact your computer manufacturer for assistance*.



Some older PC models support only nibble mode. Generally, newer models support both nibble and byte modes.

The Machine Connect Failure or Bi-directional Communication Error

Recently, some printers have included a function to show the printer status on the PC display. Such printers use the bi-directional communication parallel port between the printer and the PC. Our machine also has a bi-directional parallel port function. If you install two or more different bi-directional device drivers into Windows®, they might conflict with each other and cause some problems.

Please make sure you have installed the machine driver by running SETUP.EXE from your CD-ROM drive, as instructed on the CD-ROM label. The bi-directional communication may be disabled when the driver is installed from Add menu in “Printers” of Control Panel. Please restart Windows® after installing the drivers.

Remove the conflicting situation caused by one of the following printer drivers. Review the following sections that apply to any additional printer drivers you may have installed into your Windows® software.

Brother HL-6/6V/10h/630series/660series/960/1260/WL-660
HP LaserJet series II, IID, IIP, IIP+, III, IIID, IIIP or IV Plus
NEC SuperScript 610/660
EPSON ActionLaser 1100/1400
LexMark WinWriter 200

Brother HL-6/6V/10h/630series/660series/960/1260/WL-660:

The Resource Manager for the machine may not work if the printer driver for the above models is installed after the installation of the machine printer driver.

In this case, please install the machine printer driver again or copy BI-DI.386 from the CD-ROM to the Windows/System directory. (NOTE: BI-DI.386 on Disk 1 is not compressed.)

HP LaserJet series II, IID, IIP, IIP+, III, IIID or IIIP:

If Microsoft Windows® Printing System for above models are used, you have to modify the “win.ini” file which is in the Windows directory to turn the printer’s bi-directional function off.

We recommend you take a back-up before you modify the WIN.INI or SYSTEM.INI, just in case.

Open the file “win.ini” by using the “Notepad” application. You can find the following statement in the [spooler] section.

```
[spooler]  
QP.LPT1 = wpsljqp.dll
```

To disable this function, put a semicolon at the start of the sentence as follows;

```
[spooler]
;QP.LPT1 = wpsljqp.dll
```

Then, open the file “system.ini” by using the “Notepad” application. You can find the following statement in the [386Enh] section.

```
[386Enh]
device=wpsljvpd.386
WPSLPT1=1
```

To disable this function, put a semicolon at the start of the sentences as follows;

```
;device=wpsljvpd.386
;WPSLPT1=1
```

You must restart Windows® to make these modification effective.

The modification disables the printer status reporting on your PC, however, you will be able to use the machine with no further problems.

HP LaserJet 4 Plus:

Please uninstall the Main Status windows by double clicking the Uninstall Status windows in HP LaserJet group.

NEC SuperScript 610/660:

Please remove the NEC SuperScript driver by having NECDELETE.EXE file in Disk 1 that is included with NEC printers.

EPSON ActionLaser 1100/1400:

Please remove the EPSON Action Laser 1100/1400 driver by having EPDELETE.EXE file in Windows® Printer Driver for these models run.

Lexmark WinWriter 200:

You have to modify the “win.ini” and “system.ini” files, which are in the Windows® directory to turn the printer’s bi-directional function off.

We recommend you take a back-up of WIN.INI and SYSTEM.INI before you modify them.

Open the file “win.ini” by using the “Notepad” application. You can find the following statement in the [windows] section.

```
[windows]
run=C:/WINDOWS/SYSTEM/WPSIOMON
```

To disable this function, put a semicolon at the start of the sentence as follows;

```
[windows]
;run=C:/WINDOWS/SYSTEM/WPSIOMON
```

Also, you can find the following statement in the [spooler] section.

```
[spooler]
QP.LPT1=wpslbq.dll
```

To disable this function, put a semicolon at the start of the sentence as follows;

```
[spooler]
;QP.LPT1=wpslbq.dll
```

Then, open the file “system.ini” by using the “Notepad” application. You can find the following statement in the [386Enh] section.

```
[386Enh]
device=wpscomd.386
device=wpsljvpd.386
WPSLPT1=1
```

To disable the function, put a semicolon at the start of the sentences as follows;

```
[386Enh]
;device=wpscomd.386
;device=wpsljvpd.386
;WPSLPT1=1
```

You must restart Windows® to make these modification effective.

The modification disables the printer status reporting on your PC, however, you will be able to use the machine with no further problems.

Graphics or Text is Missing when the Document is Printed

This could be caused by your Display Driver software. Contact your reseller and inquire about the latest Display Driver software. Another solution is to change your Windows® Setup Display selection from the current selection to the standard VGA or SVGA selection; contact your reseller or Microsoft Support® if you need help modifying your Windows® Display selection or installing new Display Driver software.

Packing and Shipping the Machine

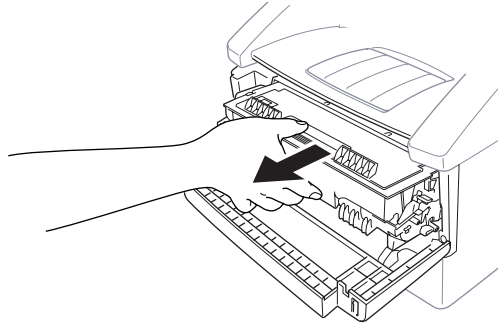
Whenever you transport the machine, use the packing materials that came with your machine. If you do not pack the machine correctly, you could void your warranty.

- 1 Remove the line cord and unplug the machine from the AC outlet.
- 2 Open the front cover.
- 3 Remove the drum unit assembly.

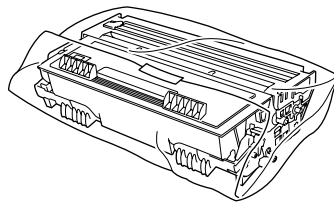


WARNING

Remove the drum unit and toner cartridge assembly. Leave the toner cartridge installed in the drum unit.

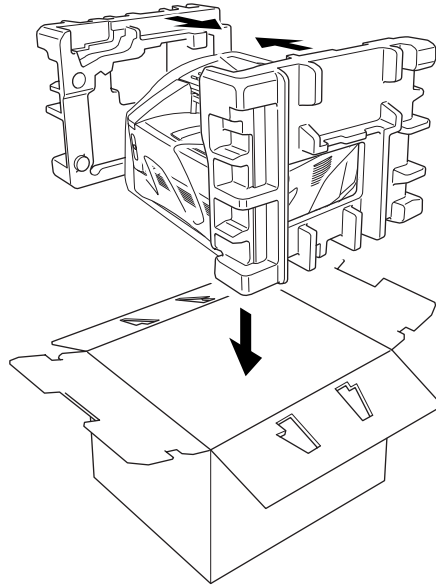


- 4 Place the drum unit and toner cartridge assembly into the plastic bag and seal the bag completely.

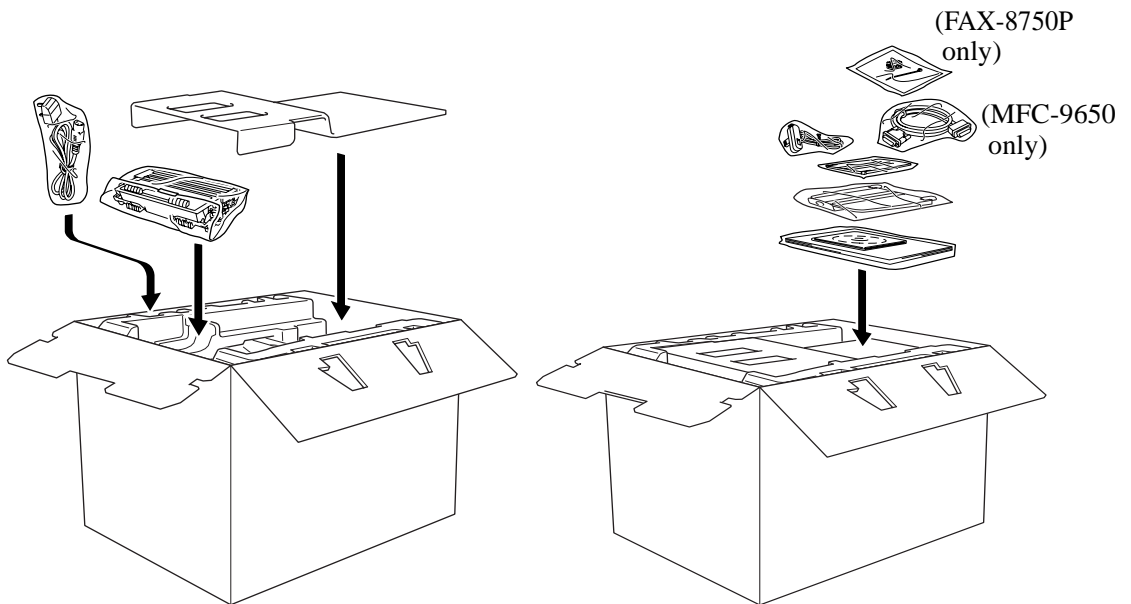


- 5 Close the front cover. Fold down the front output bin extension. Remove the telephone line cord, document tray, document support and pack them.

- 6** Wrap the machine in the plastic bag and place it in the original carton with the original packing material.



- 7** Place documents (manual and printed material) and the cables (MFC-9650), document tray and document support, drum unit and toner cartridge assembly into the carton as shown below.



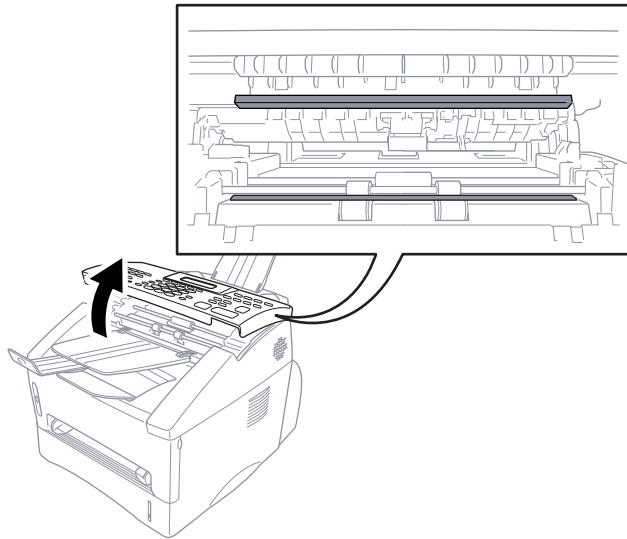
- 8** Close the carton and tape it shut.

Regular Maintenance

You can keep your machine in optimum condition by cleaning it on a regular basis. It is a good idea to clean the drum unit during this routine. Avoid using thinners or other organic solvents to clean the machine and do not use water.

Cleaning the Scanner

- 1** Unplug the telephone line and then the power cord.
When you reconnect these lines later, make sure to connect the power cord first, then the telephone line.
- 2** Lift the control panel cover.
- 3** Clean the white bar and the glass cover.
Moisten a small piece of clean soft, lint-free cloth with isopropyl alcohol and carefully remove dirt from the glass cover and the white bar of the scanner.



Cleaning the Printer



WARNING

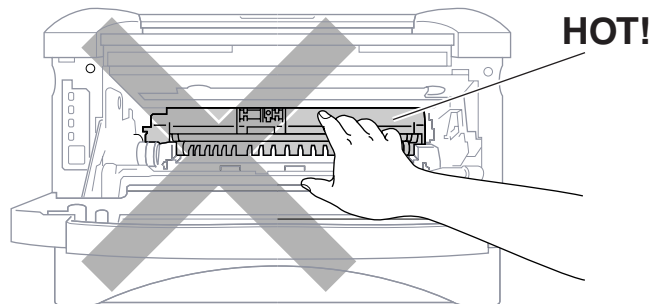
- Do not use isopropyl alcohol to remove dirt from the control panel. It may cause a crack on the panel.
- Do not use isopropyl alcohol to clean the scanner window.
- Do not touch the scanner window with your finger.
- Handle the drum unit carefully as it contains toner. If toner scatters and your hands or clothes get dirty, immediately wipe or wash it off with cold water.

- 1 Open the front cover.
- 2 Remove the drum unit assembly.

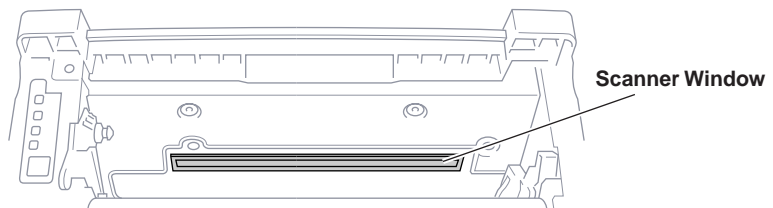


WARNING

After you have used the machine, some internal parts of the machine are extremely **HOT!** When you open the top cover of the machine, never touch the shaded parts shown in the diagram below.



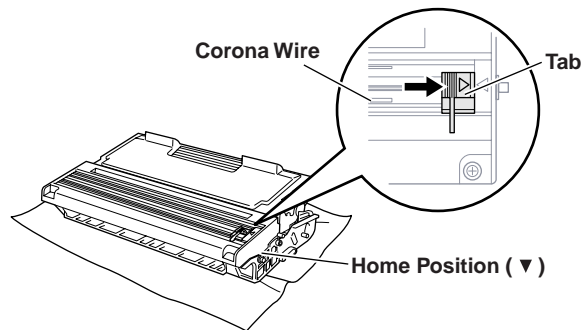
- 3 Gently clean the scanner window with a clean soft dry cloth. Do not use isopropyl alcohol.



Cleaning the Drum Unit

We recommend you place the drum unit on a drop cloth or large piece of disposable paper to avoid spilling and scattering toner.

- 1 Clean the primary corona wire inside the drum unit by gently sliding the tab from right to left several times.
- 2 Return the tab to the home position (▼ mark position) before reinstalling the drum unit.



CAUTION

If you do not position the tab at the home position, printed pages may have vertical stripes.

- 3 Install the drum unit into the machine.
See the section “Replacing the Drum Unit” in this chapter.
- 4 Close the front cover.
- 5 Plug in the power cord.

Replacing the Toner Cartridge

The machine can print *up to* 6,000 pages using a *high yield* toner cartridge (TN-6600). When the toner cartridge is running low, the display shows **CHANGE TONER**. The machine is supplied with a *standard* toner cartridge (TN-6300) that must be replaced after approximately 3,000 pages. Actual page count will vary depending on your average document type.

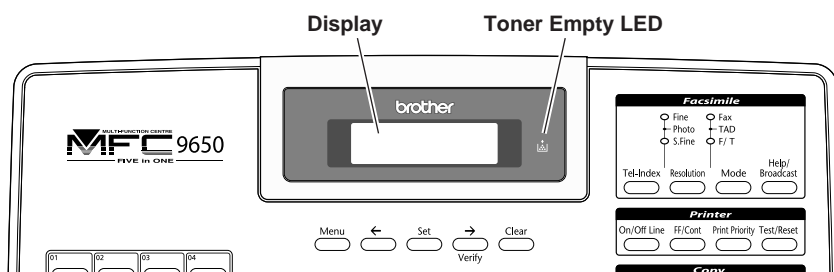
It is a good idea to keep a new toner cartridge ready for use when you see the toner low warning.

Discard the used toner cartridge according to local regulations. If you are not sure of them, consult with Brother dealer for service. Be sure to seal the toner cartridge tightly so toner powder does not spill out of the cartridge. When discarding used toner cartridges, keep them separate from domestic garbage.

It is recommended that you clean the machine when you replace the toner.

Toner Empty Indicator

When the toner cartridge is running low, the display shows **CHANGE TONER** and the Toner Empty LED on the control panel flashes on and off to indicate the toner is low.



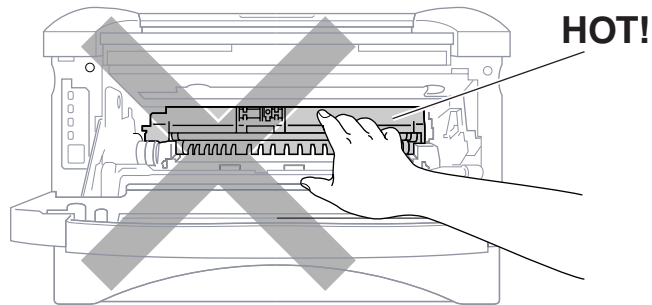
The Toner Empty LED light stays on and the display show **TONER EMPTY** to indicate that the toner is empty. Once this indication appears, your machine will not resume printing until you have installed a new toner cartridge.

Steps for Replacing Toner Cartridge

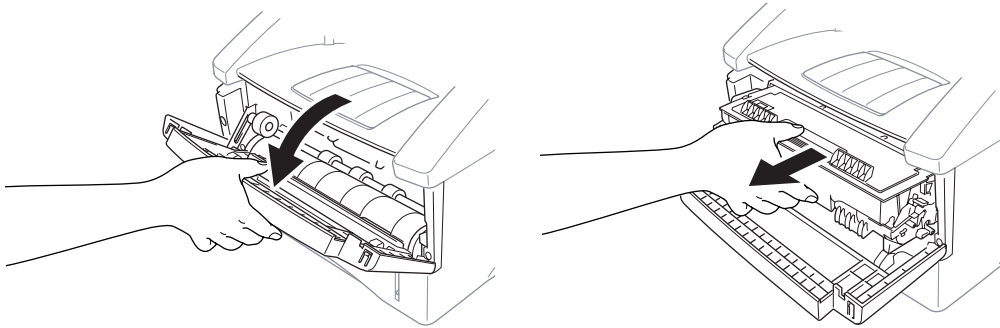


WARNING

After you have just used the machine, some internal parts of the machine will be extremely **HOT!** So, never touch the shaded parts shown in the illustration below.

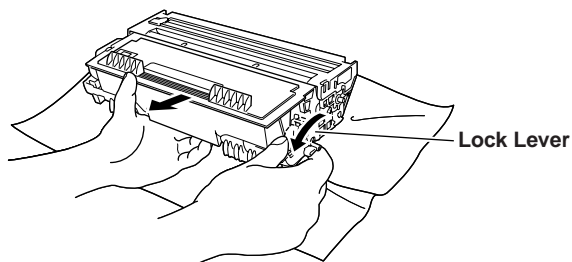


- 1 Open the front cover and pull out the drum unit.



Place the drum unit on a drop cloth or large piece of disposable paper to avoid spilling and scattering the toner.

- 2 Hold down the lock lever on the right and pull the toner cartridge out of the drum unit assembly.



**WARNING**

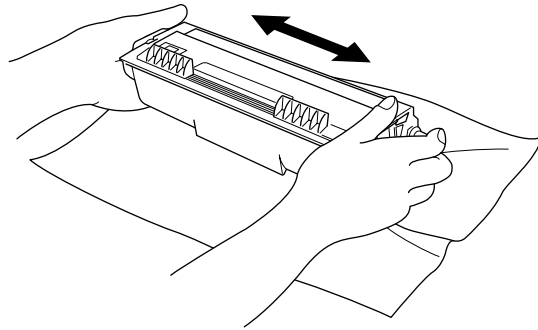
Handle the toner cartridge carefully. If toner scatters on your hands or clothes, immediately wipe it off or wash it with cold water.

- 3 Unpack the new toner cartridge. Place the used toner cartridge into the aluminium bag and discard it according to local regulations.

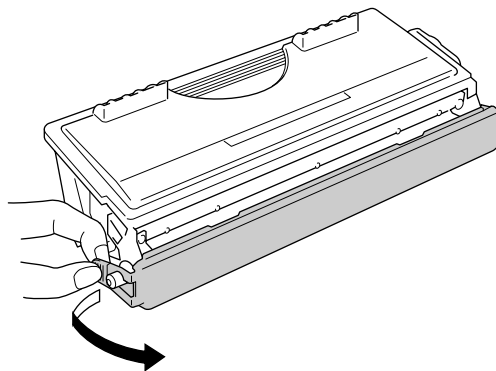
**WARNING**

- Wait to unpack the toner cartridge until immediately before you install it into the machine. If a toner cartridge is left unpacked for a long period of time, the toner life is shortened.
- You should use only a genuine Brother toner cartridge (TN-6300/ TN-6600 series), which is specially formulated to ensure top print quality. Using another brand of toner cartridge may void your machine's warranty.

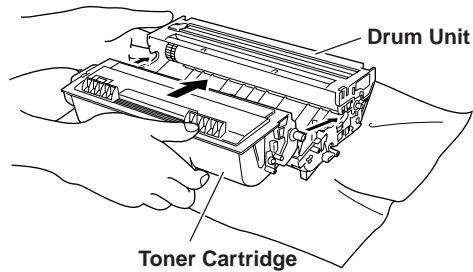
- 4 Gently rock the toner cartridge from side to side five or six times.



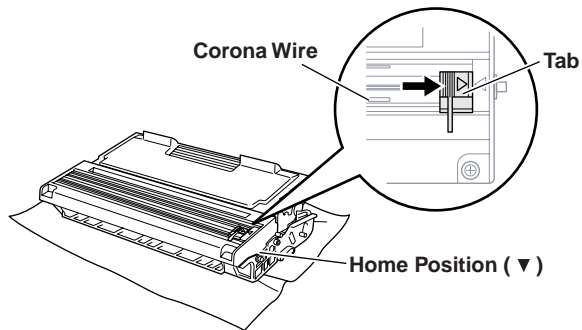
- 5 Remove the protective cover.



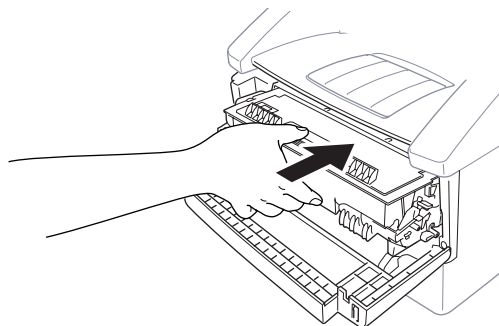
- 6 Install the new toner cartridge into the drum unit until it clicks into place.



- 7 Clean the primary corona wire inside the drum unit by gently sliding the blue tab from right to left several times. Return the blue tab to the home position before reinstalling the drum unit assembly.



- 8 Reinstall the drum unit into the machine and close the front cover.



Drum Life Considerations for Your Brother Fax Machine

Your Brother fax machine uses a drum and toner assembly for document printing. The toner life is directly dependent upon the amount of black printing on the printed pages. The drum will last for 77 hours of continuous printing time, which in normal use will be up to 20,000 A4 sized pages. Maintaining quality print during this period will depend on factors such as the number of pages printed per day, time between print jobs (and/or fax receptions), the quality of the printing paper and the environment in which the machine is used.

The drum unit (DR-6000) is a consumable and to maintain an acceptable printing quality it should be replaced at the end of its 20,000 A4 page or 77 hours life. Printing quality is a subjective issue and the drum should be replaced at a time when the printing quality becomes unacceptable to the user in relation to the documents being printed. The print quality will deteriorate over time and replacing the drum will return the printing quality to its optimum level. In order to maintain optimum print quality, we also recommend that the drum is replaced after 18 months service.

To assist you, the machine will advise when approximately 5-15% of the drum life remains by showing the message **CHANGE DRUM SOON** on the display.

This indication takes the number of pages printed and the total printing time into consideration. When the message appears we advise that a new drum be obtained for replacement at a convenient future time.

- 1 For FAX-8350P, Press **Menu, 0, 1**.
For MFC-9650/FAX-8750P, Press **Menu, 1, 0, 1**.
- 2 The following indication appears on the LCD for 5 sec, and the display returns automatically to **MISCELLANEOUS** menu.

DRUM LIFE
REMAINING : ###%

- 3 Press **Stop** to exit.



We emphasise that even if the drum life remaining indicates 0%, you only need to replace the drum if the print quality is unacceptable. By using a drum past the 0% indication no damage will be caused to the machine and whilst the print quality remains acceptable then the drum may be used beyond its designed life.

Replacing the Drum Unit

The machine uses a drum unit to create the print images on paper. If the screen displays **CHANGE DRUM SOON**, the drum unit is nearly at the end of its life. Prepare a new drum unit to replace the current one. You may need to order one from your Brother dealer.

Even if the display shows **CHANGE DRUM SOON**, you may be able to continue to print without replacing the drum unit for a while. However, if there is a noticeable deterioration in the output print quality even before **CHANGE DRUM SOON** is shown, then the drum unit should be replaced. You should clean the machine when you replace the drum unit.



WARNING

When removing the drum unit, handle carefully because it contains toner. When you replace the drum unit, you should clean the machine.



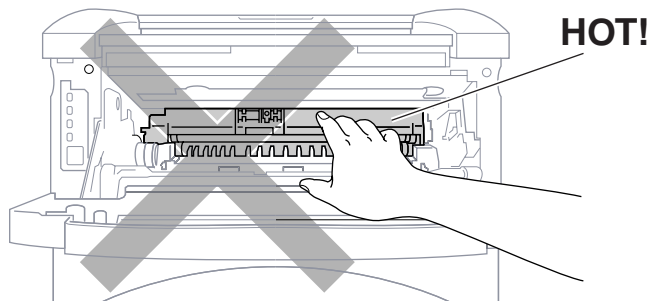
The drum unit is a consumable, and it is necessary to replace it periodically. There are many factors that determine the actual drum life, such as temperature, humidity, type of paper and toner that you use and the number of pages per print job, etc. The drum life is estimated at approximately 20,000 pages at 1 page per job. The actual number of pages your drum will print may be significantly less than these estimates. Because we have no control over the many factors that determine the actual drum life, we cannot guarantee a minimum number of pages that will be printed by your drum.

For best performance, use only genuine Brother toner, and the product should be used only in a clean, dust-free environment with adequate ventilation.



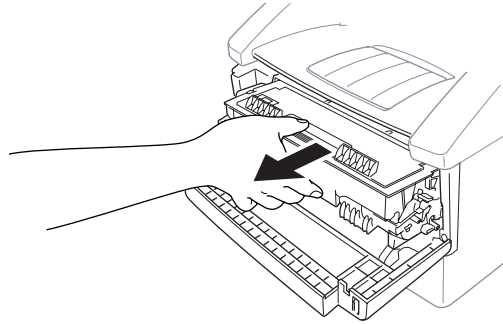
WARNING

After you have just used the machine, some internal parts of the machine are extremely **HOT!** So please be careful.

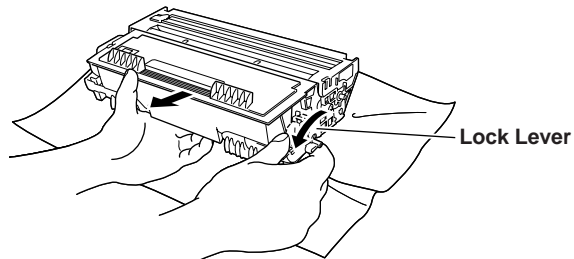


Follow these steps to replace the drum unit:

- 1** Open the front cover.
- 2** Remove the old drum unit. Place the drum unit on a drop cloth or large piece of disposable paper to avoid spilling and scattering the toner.



- 3** Pull the toner cartridge out of the drum unit assembly while holding down the lock lever with your right hand. For more information, see “Replacing the Toner Cartridge” in this chapter.



Discard the used drum unit according to local regulations. Be sure to seal the drum unit tightly so toner powder does not spill out of the unit. When discarding used drum units, keep them separate from domestic rubbish.

- 4 Unpack the new drum unit immediately before installing it. Place the old drum unit into the aluminium bag and discard it according to local regulations.
 - If an unpacked drum unit is subjected to excessive direct sunlight or room light, the unit may be damaged.
 - Handle the toner cartridge and the drum unit carefully because they contain toner. If toner scatters and your hands or clothes get dirty, immediately wipe or wash with cold water.
 - Do not touch the scanner window with your finger.
- 5 Reinstall the toner cartridge into the new drum unit. For more information, see “Replacing the Toner Cartridge” in this chapter.
 - 6 Reinstall the new drum unit, keeping the front cover open.
 - 7 Press **Clear**.

REPLACE DRUM?
1.YES 2.NO

- 8 Press **1** and when the display shows **ACCEPTED**, and close the front cover.



Caution

If toner scatters and your hands or clothes get dirty, immediately wipe off or wash with cold water.

CHAPTER SEVENTEEN

Specifications

| | |
|------------------------------|--|
| Type | Desktop facsimile transceiver |
| Compatibility | ITU-T Group 3 |
| Codingsystem | FAX-8350P/MFC-9650: MH/MR/MMR FAX-8750P: MH/MR/MMR/JBIG |
| Modemspeed | 14400 - 2400 bps; Automatic Fallback (FAX-8350P/ MFC-9650) 33600 - 2400 bps; Automatic Fallback (FAX-8750P) |
| Document input width | 148 mm to 216 mm |
| Document input length | 100 mm to 360 mm |
| Scanning width | 207 mm |
| Printing width | 208 mm |
| ADF | 30 pages |
| Paper cassette | 250 Sheets (75 g/m ²) |
| Printer type | Laser Printer |
| Greyscale | 64 levels (Dithered) |
| Display | LCD, 16 characters x 2 |
| Polling types | Standard, Secure, Delayed, Sequential |
| Contrast control | Automatic/Light/Dark (manual setting) |
| Resolution | <ul style="list-style-type: none"> • Horizontal 8 dots/mm • Vertical Standard—3.85 lines/mm <li style="padding-left: 2em;">Fine, Photo—7.7 lines/mm <li style="padding-left: 2em;">Superfine, Photo (copy)—15.4 lines/mm |
| One Touch Dial | 32 stations |
| Speed Dial | 100 stations |

| | |
|-----------------------------|---|
| Automatic redial | 4 times at 2 minute intervals 3 times at 2 minute intervals (Only for Ireland) |
| Speaker type | Monitor |
| Auto answer | 1, 2, 3 or 4 rings 2, 3 or 4 rings (Only for Ireland) |
| Communication source | Public switched telephone network (PSTN) |

Printer Specifications

| | |
|-----------------------|---|
| Emulation | Brother Printing System for Windows®, emulation mode of HP LaserJet IIP (PCL level 4: MFC-9650/FAX-8750P) |
| Printer Driver | Windows® 95, 98 and Windows NT® Workstation Version 4.0 driver supporting Brother Native Compression mode and bi-directional capability |
| Interface | Bi-directional parallel cable (IEEE-1284) USB (Universal Serial Bus) Interface Using Windows® 98 Only: (MFC-9650/FAX-8750P) |
| Memory | 3 MB (MFC-9650/FAX-8750P) |
| Printer Method | Electrophotography by semiconductor laser beam scanning |
| Resolution | 600 dots/inch |
| Print Quality | Normal printing mode Economy printing mode (saves up to 50% of the normal toner usage) |
| Print Speed | 12 pages/minute (when loading letter size or A4 paper from the multi-purpose paper cassette) |
| Print Media | Toner cartridge: Life Expectancy: Up to 6,000 pages/ <i>high yield</i> toner cartridges (TN-6600) Up to 3,000 pages/ <i>standard</i> toner cartridges (TN-6300) (when printing A4 or letter size paper at 5% print coverage) Toner life expectancy will vary depending on the type of average print job. |





TrueType Fonts on CD-R OM (Only for MFC-9650/FAX-8750P) TrueType-compatible soft-fonts for Windows® on the supplied CD-ROM

Drum Unit:

Life Expectancy: Up to 20,000 pages
77 hours of continuous printing

There are many factors that determine the actual drum life, such as temperature, humidity, type of paper and toner that you use, the number of pages per print job, etc.

Electrical and Environment

| | |
|--------------------------|---|
| Temperature | (Allowable) 10 - 32.5° C (50 - 90.5° F) (Storage) 0 - 40° C (32 - 104° F) |
| Warm-Up | Max. 45 seconds at 23° C (73.4° F) |
| First Print | 15 seconds (when loading A4 size paper for the paper cassette) |
| Power Source | 220 ~ 240V AC 50/60Hz |
| Power Consumption | Operating (Copying); 850 W or less (25° C) Sleep Mode: 9 W or less Stand by: 60 W or less (25° C) |
| Noise | Operating: 50 dB A or less Stand by: 39 dB A or less |
| Humidity | Operating: 20 to 80% (without condensation) Storage: 20 to 80% (without condensation) |
| Dimensions | 377 x 442 x 323 mm/(14.8 x 17.4 x 12.7 inches) |
| Weight | 12 kg/(26.4 lbs) |

Specifications are subject to change for improvement without prior notice.

PARALLEL INTERFACE SPECIFICATIONS (For MFC-9650/ FAX-8750P Only)

Interface Connector Printer Side: Amphenol FCN-685J036-L/X or equivalent
A shielded cable should be used.

Pin Assignment

| Pin No. | Signal | Direction | Pin No. | Signal | Direction |
|---------|--------------------|-----------|---------|--------------------|-----------|
| 1 | <u>DATA STROBE</u> | Input | 19 | 0V(S.G.) | - |
| 2 | DATA 1 | Input | 20 | 0V(S.G.) | - |
| 3 | DTAT 2 | Input | 21 | 0V(S.G.) | - |
| 4 | DATA 3 | Input | 22 | 0V(S.G.) | - |
| 5 | DATA 4 | Input | 23 | 0V(S.G.) | - |
| 6 | DATA 5 | Input | 24 | 0V(S.G.) | - |
| 7 | DATA 6 | Input | 25 | 0V(S.G.) | - |
| 8 | DATA 7 | Input | 26 | 0V(S.G.) | - |
| 9 | <u>DATA 8</u> | Input | 27 | 0V(S.G.) | - |
| 10 | <u>ACKNLG</u> | Output | 28 | 0V(S.G.) | - |
| 11 | BUSY | Output | 29 | 0V(S.G.) | - |
| 12 | PE | Output | 30 | 0V(S.G.) | - |
| 13 | <u>SLCT</u> | Output | 31 | <u>INPUT PRIME</u> | Input |
| 14 | <u>AUTO FEED</u> | Input | 32 | <u>FAULT</u> | Output |
| 15 | N.C. | - | 33 | N.C. | - |
| 16 | 0V (S.G.) | - | 34 | N.C. | - |
| 17 | 0V (S.G.) | - | 35 | <u>N.C.</u> | - |
| 18 | +5V | - | 36 | <u>SLCT IN</u> | Input |

RESIDENT FONTS

The following bitmapped fonts are resident in the machine.

Brougham 10 (12 point) upright/normal
 upright/bold
 italic/normal
 italic/bold

| | |
|---------------------------------|--|
| Brougham 12 (10 point) | upright/normal upright/bold italic/normal italic/bold |
| Letter Gothic 16.66 (8.5 point) | upright/normal upright/bold italic/normal italic/bold |

(Portrait and Landscape are available for the above.)

SYMBOL SETS/CHARACTER SETS

*HP mode

- ISO14 JIS ASCII
- ISO57 Chinese
- ISO11 Swedish
- HP Spanish
- ISO17 Spanish
- ISO10 Swedish
- ISO16 Portuguese
- ISO84 Portuguese
- ISO85 Spanish
- PC-8
- PC-8 D/N
- PC-8 Turkish
- PC-850
- PC-852
- PC-860
- PC-863
- PC-865
- Roman 8
- ISO Latin 1
(ECMA-94)
- ISO60 Norwegian 1
- ISO61 Norwegian 2
- ISO4 UK
- ISO25 French
- ISO69 French
- HP German
- ISO21 German
- ISO15 Italian
- ISO6 ASCII
- Legal
- ISO2 IRV



If you want to know which characters are in each symbol/character set, print the CHARSETS.PRN file from “The Print Form” option in the Direct Access Menu of the Remote Printer Console Program.

□ HP LaserJet IIP

| Roman 8 | | | | | | | | | | ISO Latin1 | | | | | | | | | | | | | | | | | | | | | |
|---------|----|---|---|---|---|---|---|---|---|------------|---|---|---|---|---|---|----|---|---|---|---|---|---|---|---|---|---|---|---|---|---|
| 0 | 1 | 2 | 3 | 4 | 5 | 6 | 7 | 8 | 9 | A | B | C | D | E | F | 0 | 1 | 2 | 3 | 4 | 5 | 6 | 7 | 8 | 9 | A | B | C | D | E | F |
| 0 | | 0 | @ | P | ` | p | | | | À | Á | Â | Ã | Ä | Å | 0 | | 0 | @ | P | ` | p | | | | À | Á | Â | Ã | Ä | Å |
| 1 | ! | 1 | A | Q | a | q | | | | Â | Ë | Ì | Í | Î | Ï | 1 | ! | 1 | A | Q | a | q | | | | À | Á | Â | Ã | Ä | Å |
| 2 | " | 2 | B | R | b | r | | | | Ë | Ë | Ë | Ë | Ë | Ë | 2 | " | 2 | B | R | b | r | | | | À | Á | Â | Ã | Ä | Å |
| 3 | # | 3 | C | S | c | s | | | | Ë | Ë | Ë | Ë | Ë | Ë | 3 | # | 3 | C | S | c | s | | | | À | Á | Â | Ã | Ä | Å |
| 4 | \$ | 4 | D | T | d | t | | | | Ë | Ë | Ë | Ë | Ë | Ë | 4 | \$ | 4 | D | T | d | t | | | | À | Á | Â | Ã | Ä | Å |
| 5 | % | 5 | E | U | e | u | | | | Ë | Ë | Ë | Ë | Ë | Ë | 5 | % | 5 | E | U | e | u | | | | À | Á | Â | Ã | Ä | Å |
| 6 | & | 6 | F | V | f | v | | | | Ë | Ë | Ë | Ë | Ë | Ë | 6 | & | 6 | F | V | f | v | | | | À | Á | Â | Ã | Ä | Å |
| 7 | ' | 7 | G | W | g | w | | | | Ë | Ë | Ë | Ë | Ë | Ë | 7 | ' | 7 | G | W | g | w | | | | À | Á | Â | Ã | Ä | Å |
| 8 | (| 8 | H | X | h | x | | | | Ë | Ë | Ë | Ë | Ë | Ë | 8 | (| 8 | H | X | h | x | | | | À | Á | Â | Ã | Ä | Å |
| 9 |) | 9 | I | Y | i | y | | | | Ë | Ë | Ë | Ë | Ë | Ë | 9 |) | 9 | I | Y | i | y | | | | À | Á | Â | Ã | Ä | Å |
| A | * | : | J | Z | j | z | | | | Ë | Ë | Ë | Ë | Ë | Ë | A | * | : | J | Z | j | z | | | | À | Á | Â | Ã | Ä | Å |
| B | + | ; | K | [| k | { | | | | Ë | Ë | Ë | Ë | Ë | Ë | B | + | ; | K | [| k | { | | | | À | Á | Â | Ã | Ä | Å |
| C | , | < | L | \ | l | | | | | Ë | Ë | Ë | Ë | Ë | Ë | C | , | < | L | \ | l | | | | | À | Á | Â | Ã | Ä | Å |
| D | - | = | M |] | m | } | | | | Ë | Ë | Ë | Ë | Ë | Ë | D | - | = | M |] | m | } | | | | À | Á | Â | Ã | Ä | Å |
| E | . | > | N | ^ | n | ~ | | | | Ë | Ë | Ë | Ë | Ë | Ë | E | . | > | N | ^ | n | ~ | | | | À | Á | Â | Ã | Ä | Å |
| F | / | ? | O | _ | o | ¸ | | | | Ë | Ë | Ë | Ë | Ë | Ë | F | / | ? | O | _ | o | ¸ | | | | À | Á | Â | Ã | Ä | Å |

The following table shows characters available only in the corresponding character set. The numbers at the top of the table are code values with which characters are to be replaced in the Roman 8 character set. For other characters, see character set of Roman 8.

| SYMBOL SET | 23 | 24 | 40 | 5B | 5C | 5D | 5E | 60 | 7B | 7C | 7D | 7E |
|------------------|----|----|----|----|----|----|----|----|----|----|----|----|
| ISO2 IRV | # | ¤ | @ | [| \ |] | ^ | ~ | { | | } | ¸ |
| ISO4 UK | E | \$ | @ | [| \ |] | ^ | ~ | { | | } | ¸ |
| ISO6 ASCII | # | \$ | @ | [| \ |] | ^ | ~ | { | | } | ¸ |
| ISO10 Swedish | # | ¤ | @ | Ä | Ö | Å | Û | é | ä | ö | å | ü |
| ISO11 Swedish | # | ¤ | @ | È | Ë | Ë | Û | é | ä | ö | å | ü |
| ISO14 JIS ASCII | # | \$ | @ | [| ¥ |] | ^ | ~ | { | | } | ¸ |
| ISO15 Italian | E | \$ | § | ° | ç | é | è | ù | à | ò | è | ì |
| ISO16 Portuguese | # | \$ | § | Ã | Ç | Õ | ~ | ~ | ã | ç | õ | ~ |
| ISO17 Spanish | E | \$ | § | ¡ | Ñ | ¿ | ~ | ~ | ñ | ¿ | ~ | ~ |
| ISO21 German | # | \$ | § | Ä | Ö | Ü | ~ | ~ | ä | ö | ü | ß |
| ISO25 French | E | \$ | à | ° | ç | § | ~ | ~ | é | ù | è | ~ |
| ISO57 Chinese | # | ¥ | @ | [| \ |] | ^ | ~ | { | | } | ¸ |
| ISO60 Norwegian1 | # | \$ | @ | Æ | Ø | Å | ~ | ~ | æ | ø | å | ~ |
| ISO61 Norwegian2 | § | \$ | @ | Æ | Ø | Å | ~ | ~ | æ | ø | å | ~ |
| ISO69 French | E | \$ | à | ° | ç | § | ~ | ~ | μ | é | ù | è |
| ISO84 Portuguese | # | \$ | · | Ã | Ç | Õ | ~ | ~ | ã | ç | õ | ~ |
| ISO85 Spanish | # | \$ | · | ¡ | Ñ | ¿ | ~ | ~ | ñ | ¿ | ~ | ~ |
| HP German | E | \$ | § | Ä | Ö | Ü | ~ | ~ | ä | ö | ü | ß |
| HP Spanish | # | \$ | @ | ¡ | Ñ | ¿ | ~ | ~ | { | | } | ¸ |

Glossary

- ADF (Automatic Document Feed)** Refers to the number of pages that can be placed in the document feeder and fed one at a time automatically.
- automatic fax transmission** Sending a fax without picking up the external telephone's handset.
- beeper** The sound the keys make when they are pressed, an error occurs or a document has been received or transmitted.
- beeper volume** Volume setting for the beep when you press a key or make an error.
- broadcasting** The ability to send the same fax message to more than one location.
- Call Back Message** Allows you to send a fax with a message for the other party to call you back.
- Call Reservation** Allows you send a fax and then at the end of transmission, you can talk with the other party.
- Cancel Job** Cancels a programmed job, like Delayed Fax or Polling.
- CNG tones** The special tones (beeps) sent by fax machines during automatic transmission to tell the receiving machine that they are a from fax machine.
- communication error (or Comm. Error)** An error during fax sending or receiving, usually caused by line noise or static.
- Compatibility Group** The ability of one fax unit to communicate with another. Compatibility is assured between ITU-T Groups.
- Contrast** Setting to compensate for dark or light documents, by lightening dark documents or darkening light documents.
- Cover Page** Prints a page at the other party's machine, that contains the sender and recipient's name and fax number, number of pages and comment. You can generate an electronic cover page at the other end with pre-programmed information from memory or you can print a sample cover page to fax with your document.
- Cover Page Message** The comment that is on the Cover Page. This is a programmable feature.

- Delayed Transmission** Sends your fax at a later time (up to 24 hours later).
- drum unit** A printing device for your machine.
- Dual Access** Your machine can scan outgoing faxes or scheduled jobs into memory at the same time it is sending a fax or receiving or printing an incoming fax.
- ECM (Error Correction Mode)** Detects errors during fax transmission and resends the page(s) of the document that had an error.
- Electronic Cover Page** A preprogrammed cover page that is transmitted from the machine's memory, eliminating the need for making up cover pages manually.
- F/T Ring Time** The length of time the machine rings (when the answer mode setting is Fax/Tel (F/T)) to notify you to pick up a voice call that it answered.
- Fax Forwarding** Sends a fax that has been received in memory to another preprogrammed fax number.
- Fax Storage** You can store faxes in memory for remote retrieval.
- fax tones** The signals sent by sending and receiving fax machines while communicating information.
- Fine Mode** Resolution is 196 x 203 dpi. It is used for small print and graphics.
- grey scale** The shades of grey available for copying and faxing photographs.
- group number** A combination of One Touch and/or Speed Dial numbers that are stored on a One Touch key for Broadcasting.
- Interrupt** Temporarily puts a waiting job on hold while you perform another operation.
- Journal** Lists information about the last 50 incoming and outgoing faxes. TX means Transmit. RX means Receive.
- Journal Period** The preprogrammed time period between automatically printed Journal Reports. You can print Journal on demand without interrupting this cycle.
- LCD (Liquid crystal display)** The display screen on the machine that shows interactive messages during On-Screen Programming and defaults to the date and time when the machine is idle.
- manual fax** Lift the external telephone's handset so you can hear the receiving fax machine answer before you press **Start** to begin transmission.
- Memory Status List** Shows how much memory is being used, how much is left, and the type of messages in memory.

One Touch Dial Keys on the machine control panel where you can store numbers for easy dialling. You must use a separate key for each number.

Out of Paper Reception Receives faxes into the machine's memory when the machine is out of paper.

Overseas Mode Makes temporary changes to the fax tones to accommodate noise and static on overseas phone lines.

Pause Allows you to place a 3.5 second delay in the dialling sequence stored on One Touch and Speed Dial numbers.

Photo Mode A resolution setting that uses varying shades of grey for the best representation of photographs.

polling The process of a fax machine calling another fax machine to retrieve waiting fax messages.

Pulse A form of dialling on a telephone line.

print reduction reduces the size of incoming faxes.

Quick-Dial List A list of names and numbers that have been previously stored in the One Touch and Speed Dial memory. This is printed in numerical order.

Remaining Jobs You can check which jobs are waiting in memory and cancel jobs individually.

remote access The ability to access your machine remotely from a touch tone phone.

remote activation allows you to transfer a fax call, answered at an extension phone, to the machine.

remote access code The four-digit code that allows you to call and access your machine from a remote location.

resolution The number of vertical and horizontal lines per inch. See: Standard, Fine, Super Fine, Photo.

Ring Delay The number of telephone rings before the machine answers a call in Fax/Tel (F/T) or Fax Only Mode.

Ring Volume Volume setting for the machine's ring.

Rotary A form of dialling on a telephone line.

Speaker Volume You can set the volume when your machine is onhook.

Speed Dial A preprogrammed number for easy dialling. You must press the **Speed Dial** key and then two digit code to start the dialling process.

Standard resolution 98 x 203 dpi. It is used for regular size text.

Station ID The stored information that appears on the top of faxed pages. It includes the sender's name and fax number.

- super fine resolution** 392 x 203 dpi. Best for very small print and line art.
- System Setup List** A printed report that shows the current setting of your machine.
- Tel-Index** An electronic, alphabetical listing of stored One Touch, Speed Dial and Group numbers.
- Temporary Setting** You can select certain options for each fax transmission without changing the default settings.
- Timer** A feature that lets you program a fax to go out at a certain time, such as Delayed Fax or Delayed Polling Receive.
- Tone** A form of dialling on the telephone line used for Touch Tone telephones.
- toner cartridge** An accessory that holds toner for the drum unit on Brother laser models.
- Toner Saver** A process that causes less toner to be affixed to the page to extend the life of the toner assembly. This will make the receiving document significantly lighter.
- transmission** The process of sending documents over the phone lines from your fax machine to the receiving fax machine.
- True Type fonts** The fonts that are used in the Windows® operating systems. If you install the Brother True Type Fonts, more types of fonts will be available for Windows® applications.
- Xmit Report (Transmission Report)** A listing of each transmission, showing caller ID, date, time, and number of pages.

Index

| | | | |
|--|--------|--|--------|
| A | | D | |
| Activation Code | 47 | Date and Time | 31 |
| Answer Mode | 41 | Deactivation Code | 47 |
| Answering Machine | 22 | Delayed Polling | 51 |
| Assembly | 13 | Delayed Transmission | 65 |
| Automatic Transmission | 57 | Dialling Mode | 31 |
| B | | Document | 55 |
| Batch Transmission | 66 | Drum Unit (Replacing) | 158 |
| Beeper | 35 | Dual Access | 58 |
| Broadcasting | 66 | E | |
| BT Call Sign (For U.K. Only) | 49 | ECM (Error Correction Mode) | 3 |
| C | | Entering Text | 34 |
| Call Back Message | 63, 65 | Error Messages | 133 |
| Call Reservation | 63 | Extension Telephone | 47 |
| Cancelling a Job | 69 | External Telephone | 23, 47 |
| Cleaning the Drum Unit | 152 | External Telephone Answering Device (TAD) | 22 |
| Cleaning the Printer | 151 | F | |
| Cleaning the Scanner | 150 | F/T (Fax/Tel) Mode | 42 |
| Clock Change | 36 | F/T (Fax/Tel) Ring Time | 43 |
| Connecting | 18 | F/T Pseudo-Ring | 43 |
| Connecting (Parallel Cable) | 109 | F/T Ring Time | 47 |
| Connecting (USB Cable for FAX-8750P) | 103 | Fax Detect | 44 |
| Connecting (USB Cable for MFC-9650) | 95 | Fax Forwarding | 80 |
| Contrast | 56 | Fax Only Mode | 41 |
| Copy | 89 | Fax Redial | 57 |
| Copy (Enlarging) | 91 | Fax Storage | 79 |
| Copy (Photograph) | 92 | Fax Tones and Handshake | 2 |
| Copy (Reducing) | 91 | FF/Cont Key | 123 |
| Copy Contrast | 90 | Fine Resolution | 56 |
| Corrections | 34 | Function Mode | 25 |
| Cover Page | 59 | Function Selection Table | 26 |

- G**
- Grey scale 161
- Groups 73
- H**
- Help 1
- I**
- Initial Configuration 124
- Inserting Spaces 34
- Installation 11
- Installing Multi-Function Link®
- Unimessage Pro 94
- International Calls 63
- Interrupting 68, 70
- J**
- Journal 85
- Journal Period 87
- L**
- List of Stored Telephone Numbers 85
- Loading Paper 16
- Lower Tray 46
- M**
- Maintenance 150
- Manual Dialling 75
- Manual Feed Slot 17, 119
- Manual Mode 41
- Manual Transmission 57
- Memory 45
- Memory Security 37
- Memory Status List 85
- Memory Storage 37
- Multi-Line Connections 20
- Multiple Copies 90
- Multiple Resolution 67
- O**
- On Hook Dialling 76
- On-Screen Programming 25
- On/Off Line Key 123
- One Touch Dial Numbers 71
- One Touch Dialling 75
- Optional Memory Board 127
- Optional Paper Tray 128
- Order Form 87
- Overseas Mode 63
- P**
- PABX 35
- Packing and Shipping 148
- Packing List 11
- Paper Jams 136
- Pause 76
- PC Interface Mode
- (MFC-9650/FAX-8750P only) 53
- Photo Resolution 56
- Polling 50
- Power Save 36
- Print Density 46
- Print Priority Key 123
- Printing 49
- Q**
- Quick-Dial List 85
- R**
- Real Time Transmission 58
- Redial 57
- Reduction 44
- Remote Access Code 80
- Remote Code 48
- Remote Commands 81
- Reports 85
- Resolution 56
- Ring Delay 43
- Ring Volume 37

S

| | |
|----------------------------------|-----|
| Safety Instructions | 129 |
| Secure Polling | 50 |
| Sequential Polling | 52 |
| Setting Up | 11 |
| Setting Up (with Computer) | 93 |
| Sleep Mode | 36 |
| Speaker Volume | 37 |
| Special Characters | 34 |
| Specifications | 161 |
| Speed Dial Numbers | 72 |
| Speed Dialling | 76 |
| Standard Resolution | 56 |
| Station ID | 32 |
| Storing Telephone Numbers | 71 |
| Super Fine Resolution | 56 |

T

| | |
|---|-----|
| TAD | 22 |
| TAD Mode | 42 |
| Tel Key | 78 |
| Tel-Index | 76 |
| Telephone Numbers | 71 |
| Test/Reset Key | 123 |
| Tone/Pulse | 77 |
| Toner Cartridge (Replacing) | 153 |
| Toner Save | 46 |
| Transmission Verification (Xmit) Report . | 86 |
| Troubleshooting | 133 |

Change Answer Mode

Press **9 8**
 then for **TAD**, press **1**.
Fax/Tel (F/T), press **2**.
Fax, press **3**.

Exit Remote Operation

Press **9 0**.

Change Remote Access Code

- 1** For the FAX-8350P, Press **Menu. 8, 3**.
 For the MFC-9650/FAX-8750P, Press **Menu, 1, 8, 3**.
- 2** Enter the 3-digit number. The * cannot be used.
- 3** Press **Set**.
- 4** Press **Stop** to exit.

REMOTE CONTROL ACCESS CARD**Using Remote Access Code**

- 1** Dial your machine phone number from a touch tone phone.
- 2** Enter your Remote Control Access Code (159*) after the beep.
- 3** Your machine signals the kinds of messages received:
1 long beep — Fax message(s)
No beeps — no messages
- 4** After 2 short beeps, enter a command.
- 5** Press **9 0** to reset your machine when you finish.
- 6** Hang up.

Remote Commands

Change Fax Forwarding Setting

Press **9 5**

then to **Turn feature off** press **1**.

Enter Fax Forwarding press **2**.

Program Fax Forward Number press

4. Enter the new number of the remote fax machine where you want your fax messages forwarded and then press **# #**.

Press **9 6 1** after two short beeps, then enter the number of remote fax machine, and then **# #** to retrieve Memory Status List.

Turn Fax Storage on press **6**.

Turn Fax Storage off press **7**.

②

Retrieve a Fax

Press **9 6**

then to **Print a Memory Status List** press **1**, then enter the number of remote fax machine, and then **# #**. After the beep, hang up and wait.

Retrieve all faxes press **2**, then enter the number of remote fax machine, and then **# #**. After the beep, hang up and wait.

Erase all fax messages press **3**.

Check the Receiving Status

Press **9 7 1**.

1 long beep — Fax message(s)

3 short beeps — no messages

③

Declaration of Conformity

We Brother International Europe Ltd.
 Brother House,
 1, Tame Street,
 Audenshaw,
 Manchester, M34 5JE
 United Kingdom

declare that this product is in conformity with the following normative documents:

Safety: EN 60950 : including amendment A1:1993, A2:1993,
 A3:1995 and A4:1997
EMC: EN 55022 : 1998
 EN 55024 : 1998
 EN 61000 · 3 · 2
 EN 61000 · 3 · 3

following the provisions of the Low Voltage Directive 73/23/EEC and the
Electromagnetic Compatibility Directive 89/336/EEC (as amended by 91/
263/EEC and 92/31/EEC)

brother[®]

This machine is approved for use in the country of purchase only, local Brother companies or their dealers will only support fax machines purchased in their own countries.