

AD-81 III Installation Manual

Gas/Steam Models/Phase 7

WARNING: For your safety the information in this manual must be followed to minimize the risk of fire or explosion or to prevent property damage, personal injury or death.

— Do not store or use gasoline or other flammable vapors and liquids in the vicinity of this or any other appliance.

— **WHAT TO DO IF YOU SMELL GAS:**

- Do not try to light any appliance.
- Do not touch any electrical switch; do not use any phone in your building.
- Clear the room, building or area of all occupants.
- Immediately call your gas supplier from a neighbor's phone. Follow the gas supplier's instructions.
- If you cannot reach your gas supplier, call the fire department.

— Installation and service must be performed by a qualified installer, service agency or the gas supplier.

AVERTISSEMENT: Assurez-vous de bien suivre les instructions données dans cette notice pour réduire au minimum le risque d'incendie ou d'explosion ou pour éviter tout dommage matériel, toute blessure ou la mort.

— Ne pas entreposer ni utiliser d'essence ni d'autres vapeurs ou liquides inflammables à proximité de cet appareil ou de tout autre appareil.

— **QUE FAIRE SI VOUS SENTEZ UNE ODEUR DE GAZ:**

- Ne pas tenter d'allumer d'appareils.
- Ne touchez à aucun interrupteur. Ne pas vous servir des téléphones se trouvant dans le bâtiment.
- Évacuez la pièce, le bâtiment ou la zone.
- Appelez immédiatement votre fournisseur de gaz depuis un voisin. Suivez les instructions du fournisseur.
- Si vous ne pouvez rejoindre le fournisseur de gaz, appelez le service des incendies.

— L'installation et l'entretien doivent être assurés par un installateur ou un service d'entretien qualifié ou par le fournisseur de gaz.



American Dryer Corporation

88 Currant Road

Fall River MA 02720-4781

Telephone: (508) 678-9000 / Fax: (508) 678-9447

E-mail: techsupport@amdry.com

www.amdry.com

Retain This Manual In A Safe Place For Future Reference

American Dryer Corporation products embody advanced concepts in engineering, design, and safety. If this product is properly maintained, it will provide many years of safe, efficient, and trouble free operation.

ONLY qualified technicians should service this equipment.

OBSERVE ALL SAFETY PRECAUTIONS displayed on the equipment or specified in the installation manual included with the dryer.

The following “**FOR YOUR SAFETY**” caution **must be** posted near the dryer in a prominent location.

FOR YOUR SAFETY

Do not store or use gasoline or other flammable vapors and liquids in the vicinity of this or any other appliance.

POUR VOTRE SÉCURITÉ

Ne pas entreposer ni utiliser d'essence ni d'autres vapeurs ou liquides inflammables à proximité de cet appareil ou de tout autre appareil.

We have tried to make this manual as complete as possible and hope you will find it useful. **ADC** reserves the right to make changes from time to time, without notice or obligation, in prices, specifications, colors, and material, and to change or discontinue models. The illustrations included in this manual may not depict your particular dryer **exactly**.

Important

For your convenience, log the following information:

DATE OF PURCHASE _____ **MODEL NO.** **AD-81 III** _____

RESELLER'S NAME _____

Serial Number(s) _____

Replacement parts can be obtained from your reseller or the **ADC** factory. When ordering replacement parts from the factory, you can **FAX** your order to **ADC** at (508) 678-9447 or telephone your order directly to the **ADC** Parts Department at (508) 678-9000. Please specify the dryer **model number** and **serial number** in addition to the **description** and **part number**, so that your order is processed accurately and promptly.

“IMPORTANT NOTE TO PURCHASER”

Information **must be** obtained from your local gas supplier on the instructions to be followed if the user smells gas. These instructions **must be** posted in a prominent location near the dryer.

IMPORTANT

YOU MUST DISCONNECT AND LOCK OUT THE ELECTRIC SUPPLY AND THE GAS SUPPLY OR THE STEAM SUPPLY BEFORE ANY COVERS OR GUARDS ARE REMOVED FROM THE MACHINE TO ALLOW ACCESS FOR CLEANING, ADJUSTING, INSTALLATION, OR TESTING OF ANY EQUIPMENT PER OSHA (Occupational Safety and Health Administration) STANDARDS.

“Caution: Label all wires prior to disconnection when servicing controls. Wiring errors can cause improper operation.”

«Attention: Au moment de l'entretien des commandes, étiquetez tous les fils avant de les débrancher. Des erreurs de câblage peuvent entraîner un fonctionnement inadéquat et dangereux.»

CAUTION

DRYERS SHOULD NEVER BE LEFT UNATTENDED WHILE IN OPERATION.

WARNING

**CHILDREN SHOULD NOT BE ALLOWED TO PLAY ON OR NEAR THE DRYER(S).
CHILDREN SHOULD BE SUPERVISED IF NEAR DRYERS IN OPERATION.**

FOR YOUR SAFETY

DO NOT DRY MOP HEADS IN THE DRYER.

DO NOT USE DRYER IN THE PRESENCE OF DRY CLEANING FUMES.

WARNING

UNDER NO CIRCUMSTANCES should the dryer door switch, lint drawer switch, or the heat circuit safety devices ever be disabled.

WARNING

The dryer *must never be* operated with any of the back guards, outer tops, or service panels removed. **PERSONAL INJURY OR FIRE COULD RESULT.**

WARNING

DRYER **MUST NEVER BE** OPERATED WITHOUT THE LINT FILTER/SCREEN IN PLACE, EVEN IF AN EXTERNAL LINT COLLECTION SYSTEM IS USED.

IMPORTANT

PLEASE OBSERVE **ALL** SAFETY PRECAUTIONS displayed on the equipment and/or specified in the installation manual included with the dryer.

Dryer *must not be* installed or stored in an area where it **will be** exposed to water or weather.

The wiring diagram for the dryer is located in the front electrical control box area.

IMPORTANT

Dryer *must be* installed in a location/environment, which the ambient temperature remains between 40° F (4.44° C) and 130° F (54.44° C).

Table of Contents

SECTION I	
SAFETY PRECAUTIONS	2
SECTION II	
SPECIFICATIONS/COMPONENT IDENTIFICATION	4
A. Specifications	4
B. Component Identification	6
SECTION III	
INSTALLATION PROCEDURES	8
A. Location Requirements	8
B. Unpacking/Setting Up	9
C. Dryer Enclosure Requirements	10
D. Fresh Air Supply Requirements	10
E. Exhaust Requirements	11
F. Electrical Information	16
G. Gas Information	18
H. Steam Information	22
I. Water Information	25
I. Preparation For Operation/Start-Up	27
J. Preoperational Tests	28
K. Preoperational Instructions	30
L. Shutdown Instructions	30
SECTION IV	
SERVICE/PARTS INFORMATION	31
A. Service	31
B. Parts	31
SECTION V	
WARRANTY INFORMATION	32
A. Returning Warranty Cards	32
B. Warranty	32
C. Returning Warranty Parts	32
SECTION VI	
ROUTINE MAINTENANCE	34
A. Cleaning	34
B. Adjustments	35
C. Lubrication	35
D. Lint Drawer Removal	36
SECTION VII	
DATA LABEL INFORMATION	37
SECTION VIII	
PROCEDURE FOR FUNCTIONAL CHECK OF REPLACEMENT COMPONENTS	38
SECTION IX	
MANUAL RESET BURNER HI-LIMIT INSTRUCTIONS	40
A. Phase 7	40
B. Dual Timer	40

SECTION I

SAFETY PRECAUTIONS

WARNING: For your safety, the information in this manual *must be* followed to minimize the risk of fire or explosion or to prevent property damage, personal injury, or loss of life.

WARNING: The dryer *must never be* operated with any of the back guards, outer tops, or service panels removed. **PERSONAL INJURY OR FIRE COULD RESULT.**

1. **DO NOT** store or use gasoline or other flammable vapors and liquids in the vicinity of this or any other appliance.
2. Purchaser/user should consult the local gas supplier for proper instructions to be followed in the event the user smells gas. The instructions **should be** posted in a prominent location.
3. WHAT TO DO IF YOU SMELL GAS:
 - a. **DO NOT** try to light any appliance.
 - b. **DO NOT** touch any electrical switch.
 - c. **DO NOT** use any phone in your building.
 - d. Clear the room, building, or area of **ALL** occupants.
 - e. Immediately call your gas supplier from a neighbor's phone. Follow the gas supplier's instructions.
 - f. If you **cannot** reach your gas supplier, call the fire department.
4. Installation and service **must be** performed by a qualified installer, service agency, or gas supplier.
5. Dryer(s) **must be** exhausted to the outdoors.
6. Although **ADC** produces a very versatile dryer, there are some articles that, due to fabric composition or cleaning method, **should not be** dried in it.

WARNING: Dry only water washed fabrics. **DO NOT** dry articles spotted or washed in dry cleaning solvents, a combustible detergent, or "all purpose" cleaner. **EXPLOSION COULD RESULT.**

WARNING: **DO NOT** dry rags or articles coated or contaminated with gasoline, kerosene, oil, paint, or wax. **EXPLOSION COULD RESULT.**

WARNING: **DO NOT** dry mop heads. Contamination by wax or flammable solvents will create a fire hazard.

WARNING: **DO NOT** use heat for drying articles that contain plastic, foam, sponge rubber, or similarly textured rubberlike materials. Drying in a heated basket (tumbler) may damage plastics or rubber and may be a fire hazard.

7. A program **should be** established for the inspection and cleaning of lint in the burner area, exhaust ductwork, and area around the back of the dryer. The frequency of inspection and cleaning can best be determined from experience at each location.

WARNING: The collection of lint in the burner area and exhaust ductwork can create a potential fire hazard.

8. For personal safety, the dryer **must be** electrically grounded in accordance with local codes and/or the National Electrical Code ANSI/NFPA NO. 70-LATEST EDITION or in Canada, the Canadian Electrical Codes Parts 1 & 2 CSA C22.1-1990 or LATEST EDITION.

NOTE: Failure to electrically ground the dryer properly will VOID THE WARRANTY.

9. **UNDER NO CIRCUMSTANCES** should the dryer door switch, lint drawer switch, or the heat circuit safety devices ever be disabled.

WARNING: PERSONAL INJURY OR FIRE COULD RESULT SHOULD THE DRYER DOOR SWITCH, LINT DRAWER SWITCH, OR THE HEAT CIRCUIT SAFETY DEVICES EVER BE DISABLED.

10. This dryer is not to be used in the presence of dry cleaning solvents or fumes.

11. Remove articles from the dryer as soon as the drying cycle has been completed.

WARNING: Articles left in the dryer after the drying and cooling cycles have been completed can create a fire hazard.

12. **DO NOT** operate steam dryers with more than 125 psi (8.62 bar) steam pressure. Excessive steam pressure can damage steam coil and/or harm personnel.

13. Replace leaking flexible steam hoses or other steam fixtures immediately. **DO NOT** operate dryer with leaking flexible hoses. **PERSONAL INJURY MAY RESULT.**

14. **READ AND FOLLOW ALL CAUTION AND DIRECTION LABELS ATTACHED TO DRYER.**

15. For safety, proper operation, and optimum performance, the dryer **must not be** operated with a load less than sixty-six percent (66%), 50 lbs (22.68 kg) of its rated capacity.

IMPORTANT: YOU MUST DISCONNECT AND LOCK OUT THE ELECTRIC SUPPLY AND THE GAS SUPPLY OR THE STEAM SUPPLY BEFORE ANY COVERS OR GUARDS ARE REMOVED FROM THE MACHINE TO ALLOW ACCESS FOR CLEANING, ADJUSTING, INSTALLATION, OR TESTING OF ANY EQUIPMENT PER OSHA (Occupational Safety and Health Administration) STANDARDS.

IMPORTANT: Dryer *must be* installed in a location/environment, which the ambient temperature remains between 40° F (4.44° C) and 130° F (54.44° C).

SECTION II

SPECIFICATIONS/COMPONENT IDENTIFICATION

A. SPECIFICATIONS

TUMBLER DIAMETER	37"	94 cm	
TUMBLER DEPTH	36"	91.5 cm	
TUMBLER VOLUME	22.4 cu ft	0.634 cu m	
TUMBLER MOTOR	1/2 hp	0.373 kW	
BLOWER MOTOR	3 hp	2.2 kW	
DOOR OPENING (DIAMETER)	21-1/2"	54.6 cm	
EXHAUST CONNECTION (DIAMETER)	14"	35.56 cm	
AIRFLOW	1,700 cfm	48.14 cmm	
DRYERS PER 20'/40' CONTAINER	10 / 20		
DRYERS PER 48'/53' TRUCK	24 / 26		
WATER CONNECTION**	3/4"-11.5 NH		
Gas	VOLTAGE AVAILABLE	208-480v 3ø 3, 4w 50/60 Hz	
	APPROX. NET WEIGHT	833 lbs	377.8 kg
	APPROX. SHIPPING WEIGHT	883 lbs	400.5 kg
	HEAT INPUT	270,000 Btu/hr	68,040 kcal/hr
	INLET PIPE CONNECTION	1" F.N.P.T.	
Steam*	VOLTAGE AVAILABLE	208-480v 3ø 3, 4w 50/60 Hz	
	APPROX. NET WEIGHT	928 lbs	420.9 kg
	APPROX. SHIPPING WEIGHT	978 lbs	443.6 kg
	COMPRESSED AIR VOLUME	0.75 cfh	0.02 cmh
	COMPRESSED AIR CONNECTION	1/8" F.N.P.T.	
	STEAM CONSUMPTION	375 lbs/hr	170.5 kg/hr
	OPERATING STEAM PRESSURE	125 psi max	8.6 bar
	BOILER HP NORMAL LOAD	11	
	SUPPLY CONNECTION	1" F.N.P.T.	
	RETURN CONNECTION	1" F.N.P.T.	

Shaded areas are stated in metric equivalents

4/27/04

* Air-operated steam damper system must be provided with clean, dry and regulated 80 psi +/- 10 psi (5.51 bar +/- 0.69 bar) air supply.

** Water supply must be 40 psi +/- 20 psi (2.75 bar +/- 1.37 bar) for the fire suppression system to operate properly.

IMPORTANT: Steam dryers *must be* provided with a clean, dry, and regulated 80 psi +/- 10 psi (5.51 bar +/- 0.68 bar) air supply. Air volume requirement is 0.75 cfh (cubic feet per hour) (0.02 cmh [cubic meters per hour]).

NOTE: ADC reserves the right to make changes in specifications at any time without notice or obligation.

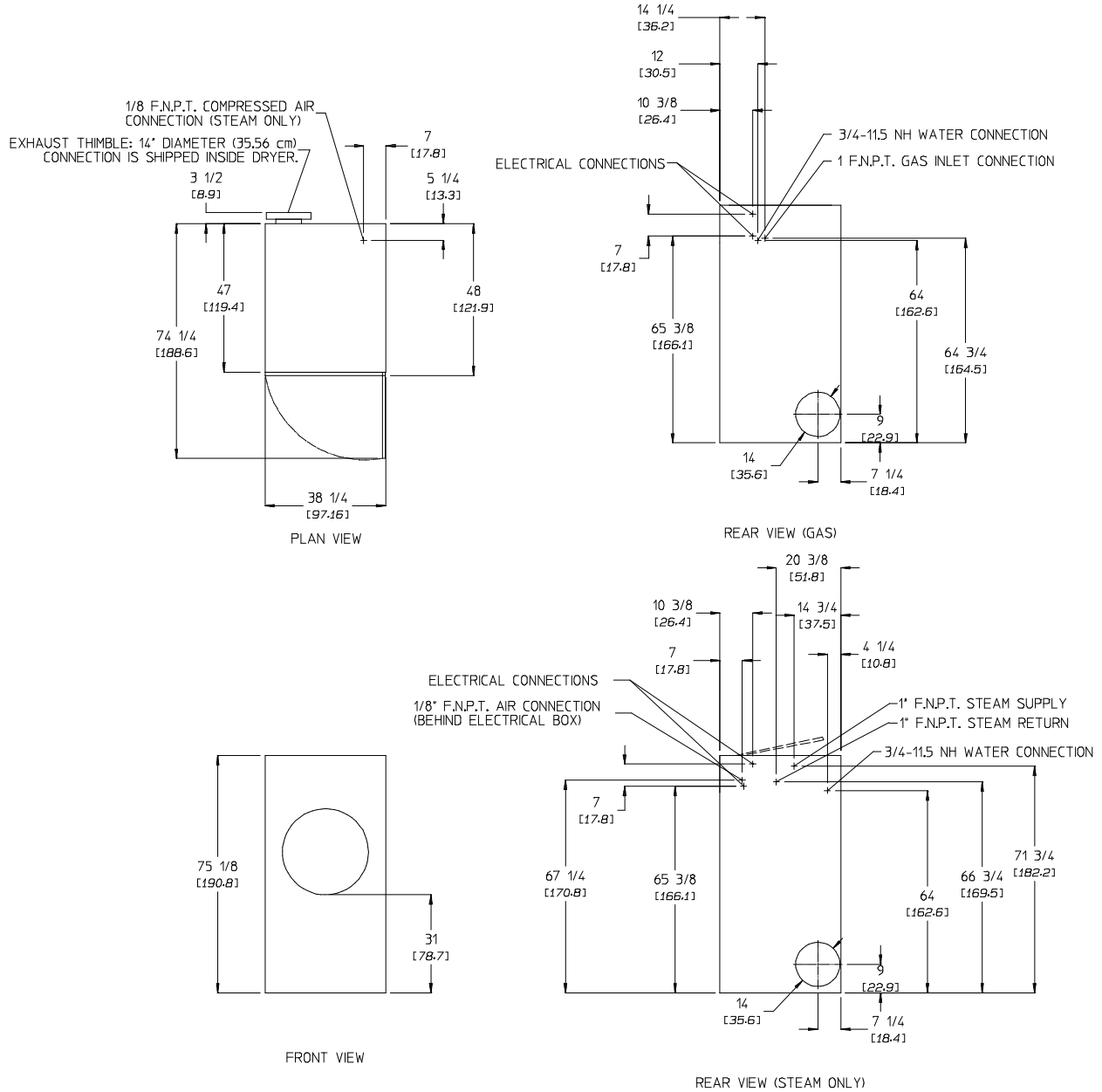
Specifications

DRYER NOTES:

- ° DUCTWORK SIZE VARIES WITH INSTALLATION CONDITIONS.
- ° EXHAUST STATIC PRESSURE MUST BE NO LESS THAN 0 AND MUST NOT EXCEED 0.3" (0.74 MB) WATER COLUMN.

STEAM DRYER NOTES:

- ° OPERATING HEIGHT OF STEAM DRYER IS 79" (200.6 CM).
- ° SIZE OF PIPING TO DRYER VARIES WITH INSTALLATION CONDITIONS. CONTACT FACTORY FOR ASSISTANCE.
- ° STEAM DRYERS MUST BE PROVIDED WITH CLEAN, DRY, REGULATED 80 PSI ± 10 PSI (5.5 BAR ± 0.69 BAR) AIR SUPPLY.

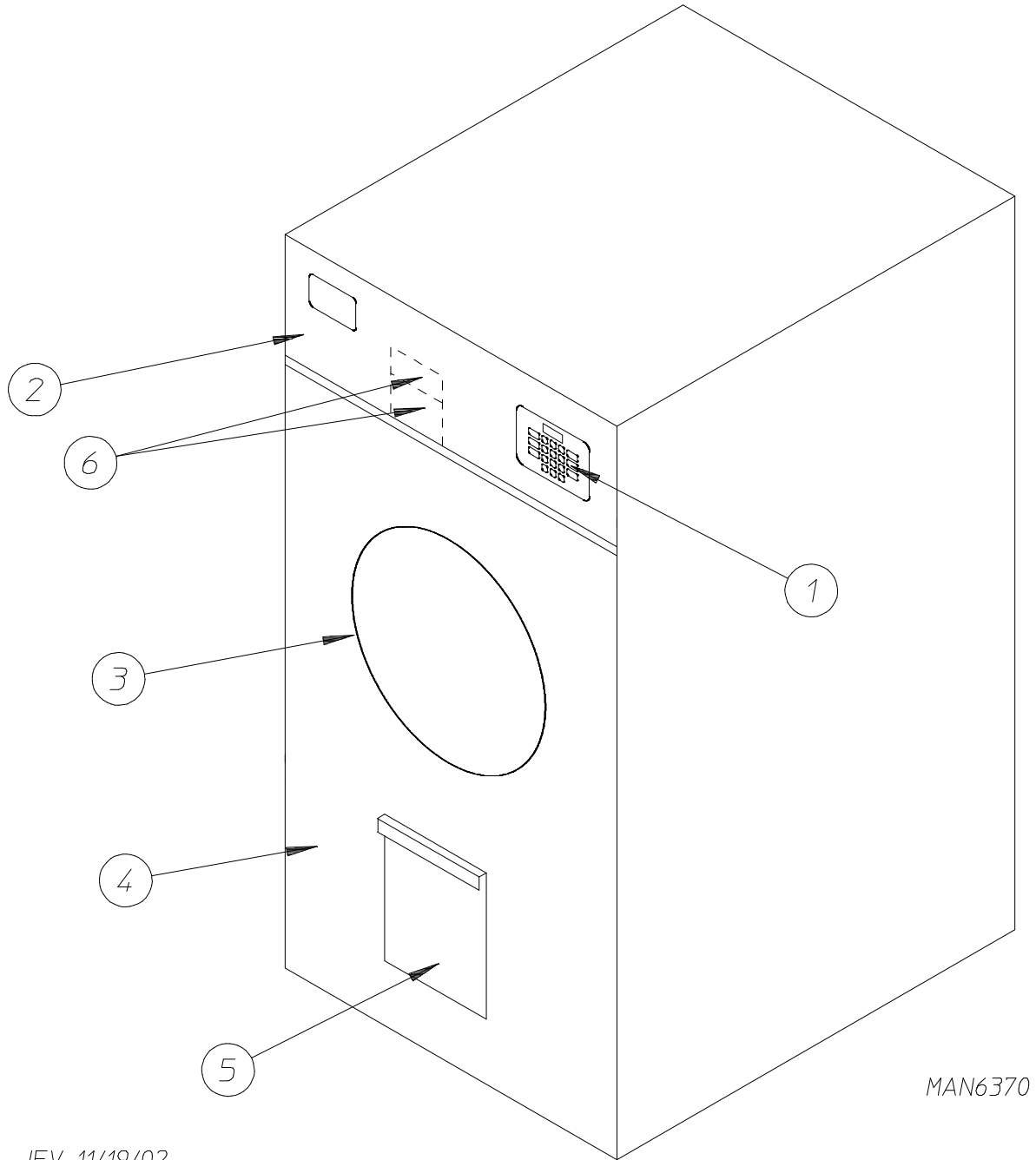


MS 4/27/04

NOTE: ADC reserves the right to make changes in specifications at any time without notice or obligation.

B. COMPONENT IDENTIFICATION

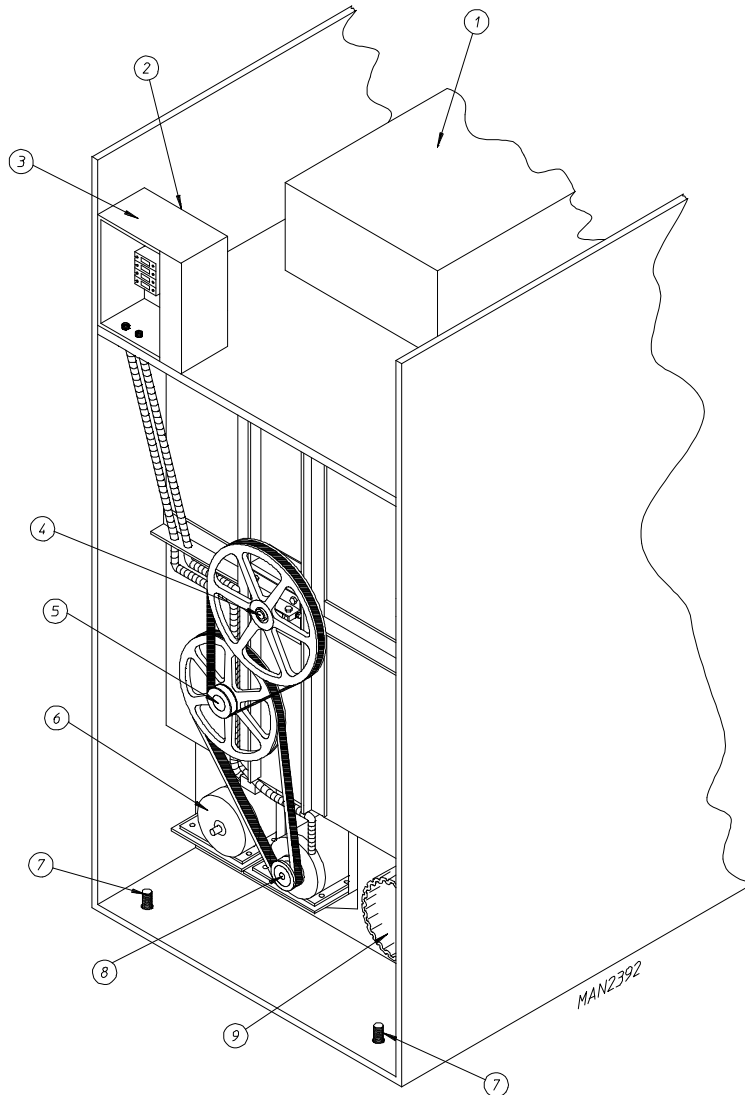
1. Dryer Front View



JEV 11/19/02

<u>Illus. No.</u>	<u>Description</u>
1	Microprocessor Control/Keyboard (touch pad) Panel Assembly (controls)
2	Control (top access) Door Assembly
3	Main Door Assembly
4	Lint Compartment Area (located behind front panel)
5	Lint Drawer
6	Data Label and Installation Label

2. Dryer Rear View



<u>Illus. No.</u>	<u>Description</u>
1	Heating Unit
2	1/8" Compressed Air Supply Inlet (behind electric service relay box for steam units only)
3*	Electric Service Relay Box
4	Basket (tumbler) Bearing Mount Assembly
5	Idler Bearing Mount Assembly
6	Blower Motor Assembly
7	Leveling Leg (rear)
8	Basket (tumbler) Drive Motor Assembly (reversing models only)
9	Dryer Exhaust

* Electric service connections for gas and steam models are made in this box.

NOTE: 1/8-inch compressed air supply inlet (for steam models only) is located behind the electric service relay box (not illustrated).

SECTION III

INSTALLATION PROCEDURES

Installation **should be** performed by competent technicians in accordance with local and state codes. In the absence of these codes, the installation **must conform** to applicable American National Standards: ANSI Z223.1-LATEST EDITION (National Fuel Gas Code) or ANSI/NFPA NO. 70-LATEST EDITION (National Electrical Code) or in Canada, the installation **must conform** to applicable Canadian Standards: CAN/CGA-B149.1-M91 (Natural Gas) or CAN/CGA-B149.2-M91 (Liquid Propane [L.P.] Gas) or LATEST EDITION (for General Installation and Gas Plumbing) or Canadian Electrical Codes Parts 1 & 2 CSA C22.1-1990 or LATEST EDITION (for Electrical Connections).

A. LOCATION REQUIREMENTS

Before installing the dryer, be sure the location conforms to local codes and ordinances. In the absence of such codes or ordinances the location **must conform** with the National Fuel Gas Code ANSI Z223.1 LATEST EDITION, or in Canada, the installation **must conform** to applicable Canadian Standards: CAN/CGA-B149.1-M91 (Natural Gas) or CAN/CGA-B149.2-M91 (L.P. Gas) or LATEST EDITION (for General Installation and Gas Plumbing)

1. The dryer **must be** installed on a sound level floor capable of supporting its weight. Carpeting **must be** removed from the floor area that the dryer is to rest on.

IMPORTANT: “The dryer *must be* installed on noncombustible floors only.”

2. The dryer **must not be** installed or stored in an area where it will be exposed to water and/or weather.
3. Provisions for adequate air supply **must be** provided as noted in this manual (refer to **Fresh Air Supply Requirements** in Section D).
4. Clearance provisions **must be** made from combustible construction as noted in this manual (refer to **Dryer Enclosure Requirements** in Section C).
5. Provisions **must be** made for adequate clearances for servicing and for operation as noted in this manual (refer to **Dryer Enclosure Requirements** in Section C).
6. The dryer **must be** installed with a proper exhaust duct connection to the outside as noted in this manual (refer to **Exhaust Requirements** in Section E).
7. Dryer **must be** located in an area where correct exhaust venting can be achieved as noted in this manual (refer to **Exhaust Requirements** in Section E).

IMPORTANT: Dryer *should be* located where a minimum amount of exhaust duct will be necessary.

8. The dryer **must be** installed with adequate clearance for air openings into the combustion chamber.

CAUTION: This dryer produces combustible lint and *must be* exhausted to the outdoors. Every 6 months, inspect the exhaust ducting and remove any lint buildup.

IMPORTANT: Dryer *must be* installed in a location/environment, which the ambient temperature remains between 40° F (4.44° C) and 130° F (54.44° C).

WARNING

An exhaust duct transition piece is shipped inside of the dryer's tumbler and **MUST** be installed on the dryer's exhaust duct, with the hardware provided, **BEFORE** location venting is connected to the dryer.

THIS EXHAUST DUCT TRANSITION PIECE MUST BE INSTALLED FIRST!

Failure to observe this installation requirement may result in damage to the dryer, create a **FIRE HAZARD** and will **VOID** the manufacturer's warranty.

012999JEV-GS/cj

P/N: 114092

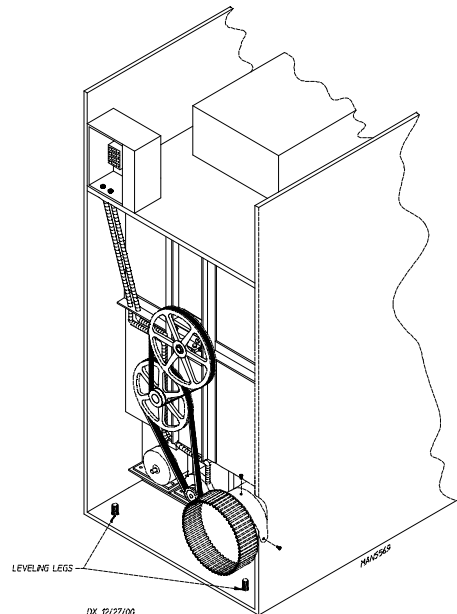
B. UNPACKING/SETTING UP

1. Inside the basket (tumbler) of this dryer is an exhaust transition piece that **must be** installed on the outlet of the exhaust before any further venting is connected. To do this, follow the procedures listed below:
 - a. Remove the exhaust transition piece from the basket (tumbler) and place it on the exhaust outlet.
 - b. Using the screws provided, secure the exhaust transition piece to the dryer.

NOTE: **It is recommended** that this joint be taped as well as **ALL** other duct joints to prevent moisture and lint from escaping into the building.

2. Leveling Dryer

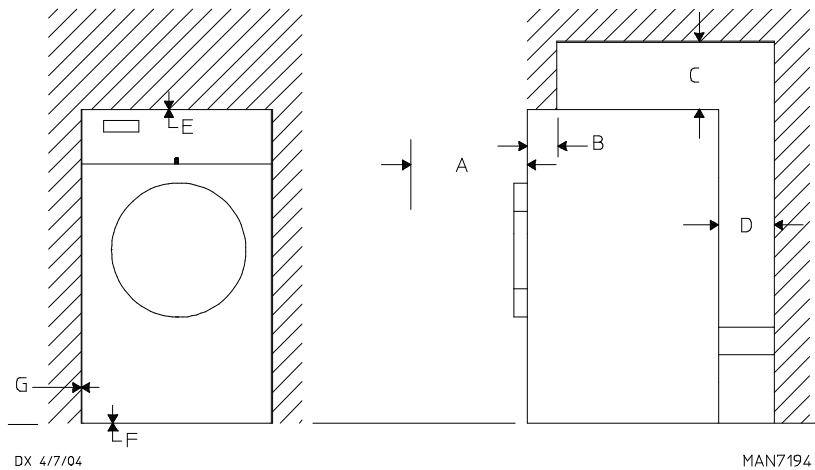
The dryer is equipped with four (4) leveling legs, one (1) at each corner of the dryer base. Two (2) are located in the rear of the dryer base, and two (2) are located in the lint chamber. To increase bearing life and improve efficiency, the dryer **should be** tilted slightly to the rear.



C. DRYER ENCLOSURE REQUIREMENTS

Bulkheads and partitions **should be** made of noncombustible material.

NOTE: Allowances **must be** made for opening the control door.

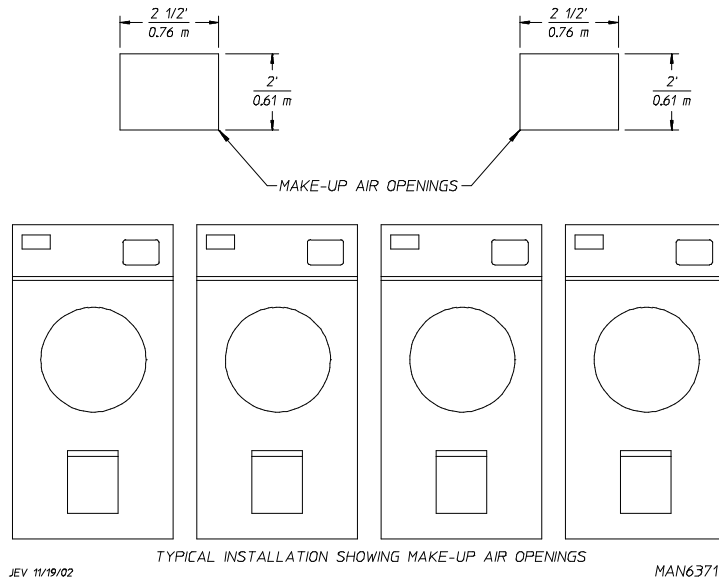


- A 30-inches (76.2 cm) for optimum opening of load door.
- B The maximum thickness of the bulkhead is 4-inches (10.16 cm). For electric dryers the maximum thickness of the bulkhead is 1-inch (2.54 cm) within 3-inches (7.62 cm) from the top of the control door.
- C For gas and electric dryers a minimum overhead clearance of 12-inches (30.48 cm) is required, providing no sprinkler is located above the dryer. For steam dryers or if a sprinkler is located above the dryer, 18-inches (45.72 cm) is required
- D Dryer should be positioned 12-inches (30.48 cm) away from the nearest obstruction and 24-inches (60.96 cm) is recommended for ease of installation, maintenance, and service.
- E 2-inch (5.08 cm) minimum is required for opening the control door.
- F Flooring should be level or below dryer cabinet for ease of removing panels during maintenance.
- G Dryers may be positioned sidewall to sidewall, however a 1/16" (1.5875 mm) minimum allowance must be made for the opening and closing of the control door, along with the removal of panels during maintenance.

D. FRESH AIR SUPPLY REQUIREMENTS

When the dryer is operating, it draws in room air, heats it, passes this air through the basket (tumbler), and exhausts it out of the building. Therefore, the room air **must be** continually replenished from the outdoors. If the make-up air is inadequate, drying time and drying efficiency **will be** adversely affected. Ignition problems and sail switch “fluttering” problems may result, as well as premature motor failure from overheating.

Air supply (make-up air) **must be** given careful consideration to ensure proper performance of each dryer. An unrestricted source of air is necessary for each dryer. An airflow of 1,700 cfm (cubic feet per minute) (48.14 cmm [cubic meters per minute]) **must be** supplied to each dryer. As a general rule, an unrestricted air entrance from the outdoors (atmosphere) of a minimum of 2-1/2 square feet (0.23 square meters) is required for each dryer. The dryer **must be** installed with provisions for adequate combustion and make-up air supply.



To compensate for the use of registers or louvers used over the openings, the air **must be** increased by approximately thirty-three percent (33%). Make-up air openings **should not be** located in an area directly near where exhaust vents exit the building.

It is not necessary to have a separate make-up air opening for each dryer. Common make-up air openings are acceptable. However, they **must be** set up in such a manner that the make-up air is distributed equally to ALL the dryers. The dryer **must be** installed with provisions for adequate combustion and make-up air supply.

EXAMPLE: For a bank of four (4) dryers, two (2) openings measuring 2 feet by 2-1/2 feet (0.61 meters by 0.76 meters) are acceptable.

Allowances **must be** made for remote or constricting passageways or where dryers are located at excessive altitudes or predominantly low pressure areas.

IMPORTANT: Make-up air **must be** provided from a source free of dry cleaning solvent fumes. Make-up air that is contaminated by dry cleaning solvent fumes will result in irreparable damage to the motors and other dryer components.

NOTE: Component failure due to dry cleaning solvent fumes will VOID THE WARRANTY.

E. EXHAUST REQUIREMENTS

1. General Exhaust Ductwork Information

Exhaust ductwork **should be** designed and installed by a qualified professional. Improperly sized ductwork will create excessive back pressure which results in slow drying, increased use of energy, overheating of the dryer, and shutdown of the burner by the airflow (sail) switches, burner hi-limits, or basket (tumbler) hi-heat thermostats. The dryer **must be** installed with a proper exhaust duct connection to the outside.

CAUTION: This dryer produces combustible lint and **must be** exhausted to the outdoors.

CAUTION: IMPROPERLY SIZED OR INSTALLED EXHAUST DUCTWORK CAN CREATE A POTENTIAL FIRE HAZARD.

The ductwork **should be** laid out in such a way that the ductwork travels as directly as possible to the outdoors with as few turns as possible. Single or independent dryer venting is recommended.

When single dryer venting is used, the length of the ductwork from the dryer to the outside exhaust outlet **must not exceed** 15 feet (4.57 meters). The minimum diameter of this ductwork **must be** at least 14-inches (35.56 cm). In the case of multiple (common) dryer venting, the distance from the last dryer to the outside exhaust outlet **must not exceed** 15 feet (4.57 meters). The shape of the ductwork is not critical as long as the minimum cross section area is provided. It is suggested that the use of 90° turns be avoided; use 30° and/or 45° angles instead. The radius of the elbows **should preferably be** 1-1/2 times the diameter of the duct. Including basket (tumbler) dryer elbow connections or elbows used for outside protection from the weather, no more than three (3) elbows **should be** used in the exhaust duct run. If more than three (3) elbows are used, the cross section area of the ductwork **must be** increased in proportion to the number of elbows added.

IMPORTANT: It is recommended that exhaust or booster fans not be used in the exhaust ductwork system.

ALL ductwork **should be** smooth inside with no projections from sheet metal screws or other obstructions, which will collect lint. When adding ducts, the duct to be added should overlap the duct to which it is to be connected. **ALL** ductwork joints **must be** taped to prevent moisture and lint from escaping into the building. Inspection doors **should be** installed at strategic points in the exhaust ductwork for periodic inspection and cleaning of lint from the ductwork.

IMPORTANT: Exhaust back pressure measured by a manometer at each basket (tumbler) exhaust duct area **must be** no less than 0 and **must not exceed** 0.3 inches (0.74 mb) of water column (W.C.).

IMPORTANT: Minimum ductwork diameter is 14-inches (35.56 cm).

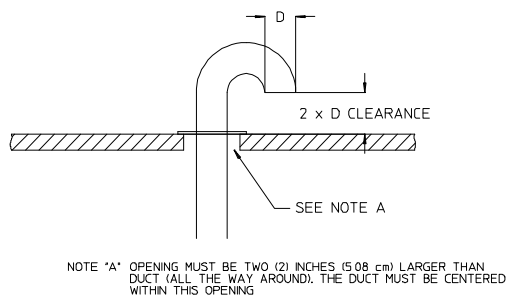
NOTE: When the exhaust ductwork passes through a wall, ceiling, or roof made of combustible materials, the opening **must be** 2-inches (5.08 cm) larger than the duct (all the way around). The duct **must be** centered within this opening.

Outside Ductwork Protection

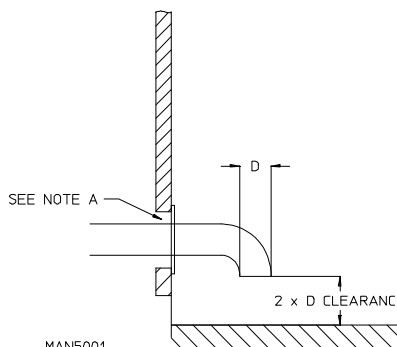
To protect the outside end of the horizontal ductwork from the weather, a 90° elbow bent downward **should be** installed where the exhaust exits the building. If the ductwork travels vertically up through the roof, it **should be** protected from the weather by using a 180° turn to point the opening downward. In either case, allow at least twice the diameter of the duct opening and the nearest obstruction.

IMPORTANT: *DO NOT* use screens, louvers, or caps on the outside opening of the exhaust ductwork.

VERTICAL DUCTING



HORIZONTAL DUCTING



JEV 02/07/00

MAN5001

2. Single Dryer Venting

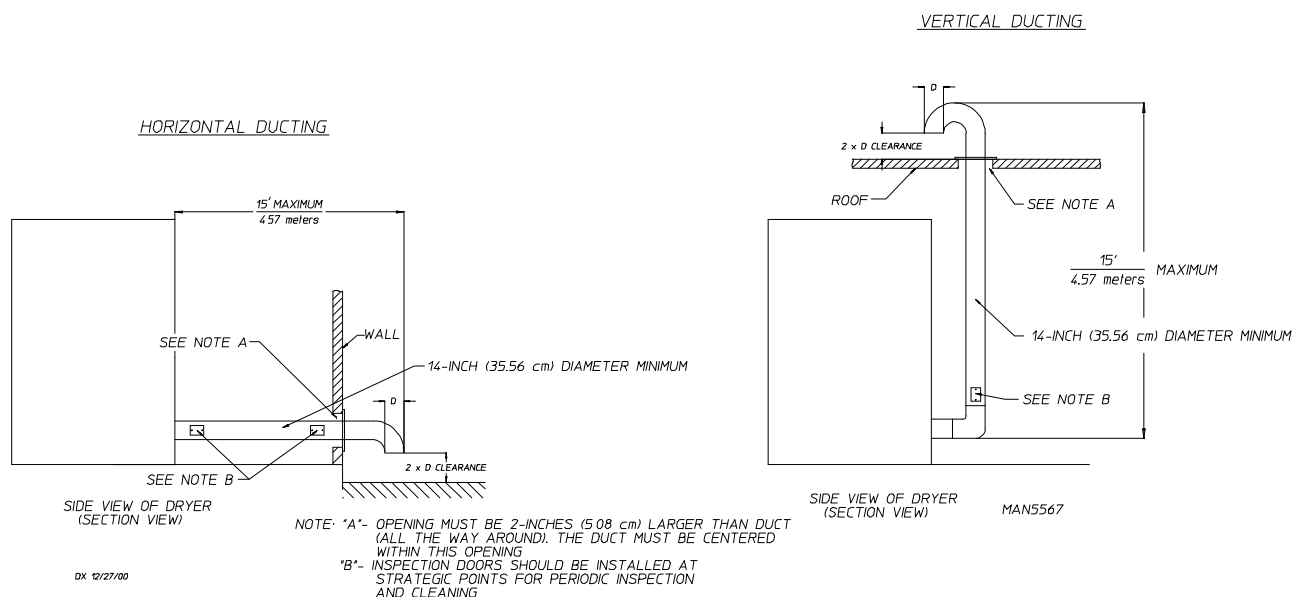
When possible, it is suggested to provide a separate exhaust duct for each dryer. The exhaust duct **should be** laid out in such a way that the ductwork travels as directly as possible to the outdoors with as few turns as possible. It is suggested that the use of 90° turns in the ducting be avoided; use 30° and/or 45° angles instead. The shape of the exhaust ductwork is not critical as long as the minimum cross section area is provided.

IMPORTANT: Minimum duct size for a dryer is 14-inches (35.56 cm) for a round duct or 12-1/2" x 12-1/2" (31.75 cm x 31.75 cm) for a square duct. **THE DUCT SIZE *MUST NOT BE REDUCED ANYWHERE DOWNSTREAM OF THE DRYER.***

IMPORTANT: Exhaust back pressure measured by a manometer at each basket (tumbler) exhaust duct area **must be** no less than 0 and **must not exceed** 0.3 inches (0.74 mb) of water column (W.C.).

It is suggested that the ductwork from each dryer not exceed 15 feet (4.57 meters) with no more than three (3) elbows. If the ductwork exceeds 15 feet (4.57 meters) or has numerous elbows, the cross section area of the ductwork **must be** increased in proportion to the length and number of elbows in it. In calculating duct size, the cross section area of a square or rectangular duct **must be** increased by twenty percent (20%) for each additional 15 feet (4.57 meters). The diameter of a round exhaust duct **should be** increased ten percent (10%) for each additional 15 feet (4.57 meters). Each 90° elbow is equivalent to an additional 30 feet (9.14 meters), and each 45° elbow is equivalent to an additional 15 feet (4.57 meters).

SINGLE DRYER VENTING



IMPORTANT: **It is recommended** that exhaust or booster fans **not be** used in the exhaust ductwork system.

IMPORTANT: For extended ductwork runs, the cross section area of the ductwork can only be increased to an extent. When the ductwork approaches the maximum limits as noted in this manual, a professional heating, ventilating, and air-conditioning (HVAC) firm **should be** consulted for proper venting information.

ALL ductwork **should be** smooth inside with no projections from sheet metal screws or other obstructions, which will collect lint. When adding ducts, the duct to be added should overlap the duct to which it is to be connected. **ALL** ductwork joints **must be** taped to prevent moisture and lint from escaping into the building. Inspection doors **should be** installed at strategic points in the exhaust ductwork for periodic inspection and cleaning of lint from the ductwork.

NOTE: When the exhaust ductwork passes through a wall, ceiling, or roof made of combustible materials, the opening **must be** 2-inches (5.08 cm) larger than the duct (all the way around). The duct **must be** centered within this opening.

Outside Ductwork Protection

To protect the outside end of the horizontal ductwork from the weather, a 90° elbow bent downward **should be** installed where the exhaust exits the building. If the exhaust ductwork travels vertically up through the roof, it **should be** protected from the weather by using a 180° turn to point the opening downward. In either case, allow at least twice the diameter of the duct between the duct opening and the nearest obstruction.

IMPORTANT: DO NOT use screens, louvers, or caps on the outside opening of the exhaust ductwork.

3. Multiple Dryer (common) Venting

If it is not feasible to provide separate exhaust ducts for each dryer, ducts from individual dryers may be channeled into a “common main duct.” The individual ducts should enter the bottom or side of the main duct at an angle not more than 45° in the direction of airflow and **should be** spaced at least 38-1/4” (97.15 cm) apart. The main duct **should be** tapered, with the diameter increasing before each individual duct is added.

IMPORTANT: No more than four (4) dryers **should be** connected to one (1) main common duct.

The main duct may be any shape as long as the minimum cross-sectional area is provided. The **illustration** on **page 15** shows the minimum cross section area for multiple dryer round or square venting. These figures **must be** increased 10 square inches (64.52 square centimeters) when rectangular main ducting is used, and the ratio of duct width to depth **should not be** greater than 3-1/2 to 1. These figures **must be** increased in proportion if the main duct run to the last dryer to where it exhausts to the outdoors is unusually long (over 15 feet [4.57 meters]) or has numerous (more than three [3]) elbows in it. In calculating ductwork size, the cross section area of a square or rectangular duct **must be** increased twenty percent (20%) for each additional 15 feet (4.57 meters). The diameter of a round exhaust **must be** increased ten percent (10%) for each additional 15 feet (4.57 meters). Each 90° elbow is equivalent to an additional 30 feet (9.14 meters) and each 45° elbow is equivalent to an additional 15 feet (4.57 meters).

IMPORTANT: For extended ductwork runs, the cross section area of the ductwork can only be increased to an extent. Maximum proportional ductwork runs, **cannot** exceed 15 feet (4.57 meters) more than the original limitations of 15 feet (4.57 meters) with three (3) elbows. When the ductwork approaches the maximum limits as noted in this manual, a professional heating, ventilating, and air-conditioning (HVAC) firm **should be** consulted for proper venting information.

IMPORTANT: Exhaust back pressure measured by a manometer at each dryer exhaust duct area **must be** no less than 0 and **must not exceed** 0.3 inches (0.74 mb) of water column (W.C.).

The ductwork **should be** smooth inside with no projections from sheet metal screws or other obstructions, which will collect lint. When adding ducts, the duct to be added should overlap the duct to which it is to be connected. **ALL** ductwork joints **must be** taped to prevent moisture and lint from escaping into the building. Inspection doors **should be** installed at strategic points in the exhaust ductwork for periodic inspection and cleaning of lint from the ductwork.

NOTE: When the exhaust ductwork passes through a wall, ceiling, or roof made of combustible materials, the opening **must be** 2-inches (5.08 cm) larger than the duct (all the way around). The duct **must be** centered within this opening.

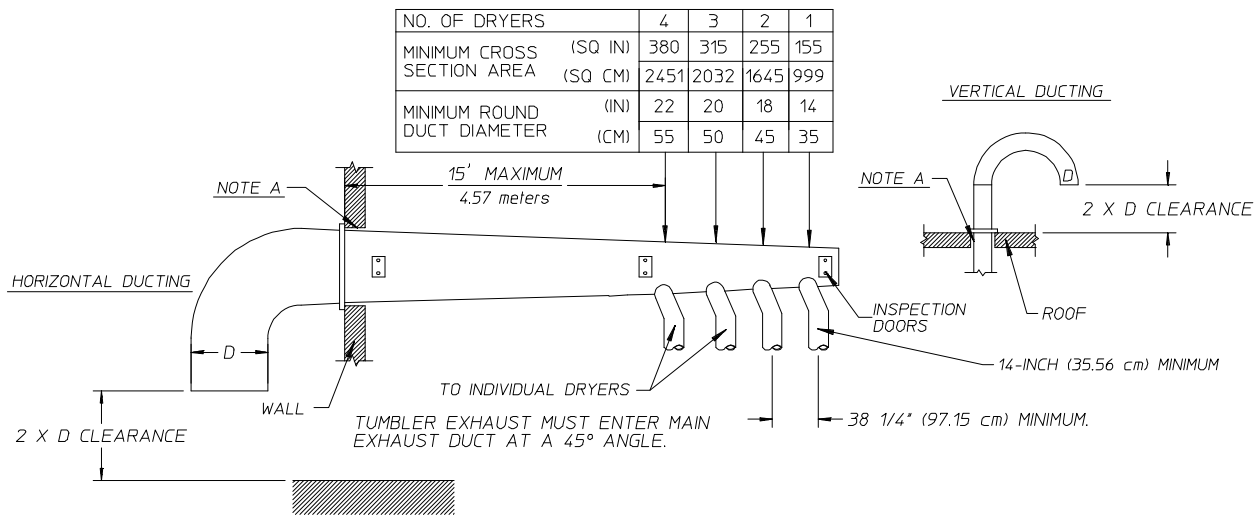
Outside Ductwork Protection

To protect the outside end of the horizontal ductwork from the weather, a 90° elbow bent downward **should be** installed where the exhaust exits the building. If the exhaust ductwork travels vertically up through the roof, it **should be** protected from the weather by using a 180° turn to point the opening downward. In either case, allow at least twice the diameter of the duct between the duct opening and nearest obstruction.

IMPORTANT: DO NOT use screens, louvers, or caps on the outside opening of the exhaust ductwork.

IMPORTANT: It is recommended that exhaust or booster fans not be used in the exhaust ductwork system.

MULTIPLE DRYER VENTING (AD-81) WITH 14" (35.56 cm) DIAMETER (1700 CFM [48.14 cm]) EXHAUST CONNECTIONS AT COMMON DUCT



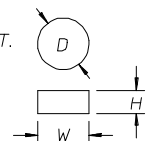
IMPORTANT. NO MORE THAN 4 DRYERS CAN BE CONNECTED TO ONE COMMON DUCT (VENT).

CALBERT 12/26/00

FORMULAS TO CALCULATE DUCTING CROSS SECTIONAL AREA

CROSS SECTIONAL AREA OF A ROUND DUCT = .785 (19.939 mm) x D² WHERE D = DIAMETER OF THE DUCT.

CROSS SECTIONAL AREA OF A RECTANGULAR DUCT = W x H WHERE W = WIDTH AND H = HEIGHT.



NOTE A. OPENING MUST BE 2-INCHES (5.08 cm) LARGER THAN THE DUCT (ALL THE WAY AROUND) THE DUCT MUST BE CENTERED WITHIN THIS OPENING.

MAN5561

F. ELECTRICAL INFORMATION

1. Electrical Requirements

ALL electrical connections must be made by a properly licensed and competent electrician. This is to ensure that the electrical installation is adequate and conforms to local and state regulations or codes. In the absence of such codes, **ALL** electrical connections, materials, and workmanship **must conform** to the applicable requirements of the National Electrical Code ANSI/NFPA NO. 70-LATEST EDITION or in Canada, the Canadian Electrical Codes Parts 1 & 2 CSA C22.1-1990 or LATEST EDITION.

IMPORTANT: Failure to comply with these codes or ordinances, and/or the requirements stipulated in this manual can result in personal injury or component failure.

NOTE: Component failure due to improper installation will VOID THE WARRANTY.

Each dryer **should be** connected to an independently protected branch circuit. The dryer **must be** connected with copper wire only. ***DO NOT use aluminum wire, it can create a fire hazard.*** The copper conductor wire/cable **must be** of proper ampacity and insulation in accordance with electric codes for making **ALL** service connections.

NOTE: The use of aluminum wire will VOID THE WARRANTY.

IMPORTANT: A separate protected circuit ***must be*** provided to each dryer.

NOTE: An individual ground circuit must be provided to each dryer, do not daisy chain.

IMPORTANT: The dryer ***must be*** connected to the electric supply shown on the data label. In the case of 208 VAC or 240 VAC, the supply voltage must match the electric service specifications of the data label **exactly**.

IMPORTANT: The wire size ***must be*** properly sized to handle the related current.

WARNING: **208 VAC AND 240 VAC ARE NOT THE SAME**. Any damage done to dryer components due to improper voltage connections will automatically VOID THE WARRANTY.

NOTE: Component failure due to improper voltage application will VOID THE WARRANTY.

NOTE: The manufacturer reserves the right to make changes in specifications at any time without notice or obligation.

2. Electrical Service Specifications

Gas and Steam Models Only

ELECTRIC SERVICE SPECIFICATIONS (PER DRYER)					
IMPORTANT: 208 VAC AND 240 VAC ARE NOT THE SAME . When ordering, specify exact voltage .					
NOTES:					
A. When fuses are used they must be dual element, time delay, current limiting, class RK1 or RK5 ONLY . Calculate/determine correct fuse value, by applying either local and/or National Electrical Codes to listed appliance amp draw data.					
B. Circuit breakers are thermal-magnetic (industrial) motor curve type ONLY . For others, calculate/verify correct breaker size according to appliance amp draw rating and type of breaker used.					
SERVICE VOLTAGE	PHASE	WIRE SERVICE	APPROX. AMP DRAW		CIRCUIT BREAKER
			60 Hz	50 Hz	
208	3 ϕ	3	14.4	--	20
240	3 ϕ	3	14.0	15.9	20
380/400	3 ϕ	4*	--	8.4	15
416	3 ϕ	4*	--	8.7	15
440	3 ϕ	4*	--	8.6	15
460/480	3 ϕ	3	7.5	--	15

*3-Wire is available. Customer must contact the factory to special order 3-wire systems.

4/15/04

3. Grounding

A ground (earth) connection **must be** provided and installed in accordance with state and local codes. In the absence of these codes, grounding **must conform** to applicable requirements of the National Electrical Code ANSI/NFPA NO. 70-LATEST EDITION, or in Canada, the installation **must conform** to applicable Canada Standards: Canadian Electrical Codes Parts 1 & 2 CSA C22.1-1990 or LATEST EDITION. The ground connection may be to a proven earth ground at the location service panel.

For added personal safety, when possible, it is suggested that a separate ground wire be connected from the ground connection of the dryer to a grounded cold water pipe. **DO NOT ground to a gas pipe or hot water pipe**. The grounded cold water pipe must have metal-to-metal connection **ALL** the way to the electrical ground. If there are any nonmetallic interruptions, such as, a meter, pump, plastic, rubber, or other insulating connectors, they **must be** jumped out with no. 4 copper wire and securely clamped to bare metal at both ends.

IMPORTANT: For personal safety and proper operation, the dryer **must be** grounded.

Provisions are made for ground connection in each dryer at the electrical service connection area.

4. Electrical Connections

A wiring diagram is located inside the control box for connection data.

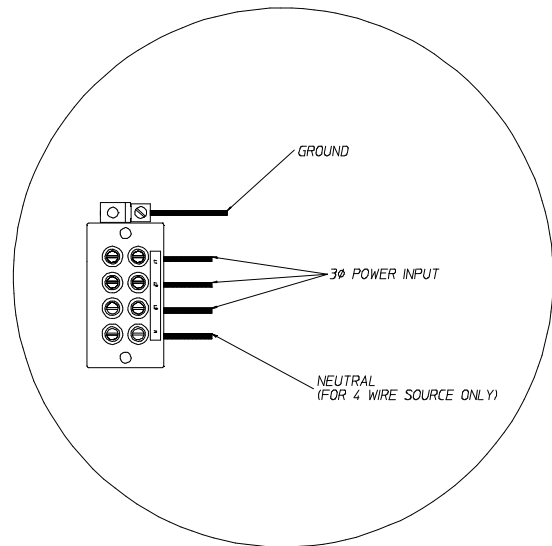
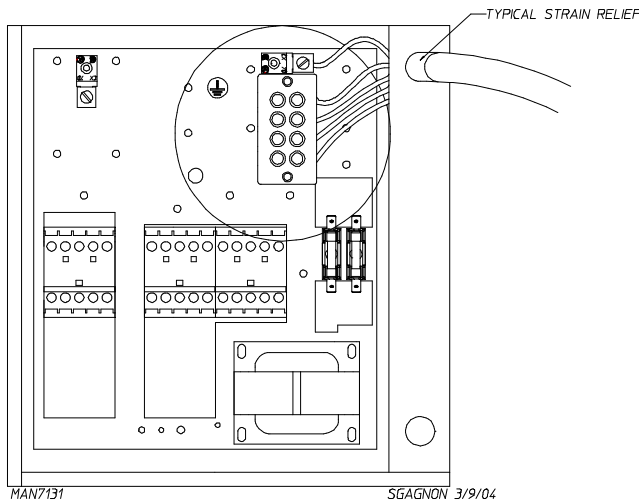
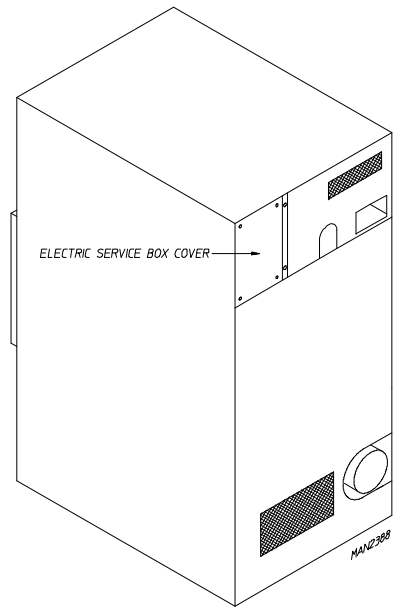
If local codes permit, power to the dryer can be made by the use of a flexible U.L. listed power cord/pigtail (wire size **must conform** to rating of dryer), or the dryer can be hard wired directly to the service breaker panel. In both cases, a strain relief **must be** installed where the wiring enters the dryer.

IMPORTANT: A separate protected circuit *must be* provided to each dryer.

3-Phase (3 ϕ) Wiring Connections/Hookup

The electrical connections on **ALL** 3-phase (3 ϕ) gas and steam dryers are made into the rear service box located at the upper left area of the dryer. The electrical connections are made at the power distribution block located in the service box. The ground connection is made to the copper lug, also provided in this box. To gain access, the service box cover *must be* removed.

The neutral will only be used on 4-wire service. This is typical for 380-416V, 50 Hz.



G. GAS INFORMATION

It is your responsibility to have **ALL** plumbing connections made by a qualified professional to ensure that the gas plumbing installation is adequate and conforms to local and state regulations or codes. In the absence of such codes, **ALL** plumbing connections, materials, and workmanship **must conform** to the applicable requirements of the National Fuel Gas Code ANSI Z223.1-LATEST EDITION, or in Canada, the Canadian Installation Codes CAN/CGA-B149.1-M91 (Natural Gas) or CAN/CGA-B149.2-M91 (Liquid Propane [L.P.] Gas) or LATEST EDITION.

IMPORTANT: Failure to comply with these codes or ordinances, and/or the requirements stipulated in this manual, can result in personal injury and improper operation of the dryer.

The dryer and its individual shutoff valve **must be** disconnected from the gas supply piping system during any pressure testing of that system at test pressures in excess of 1/2 psig (3.5 kPa). The dryer **must be** isolated from the gas supply piping system by closing its individual manual shutoff valve during any pressure testing of the gas supply piping system at test pressures equal to or less than 1/2 psig (3.5 kPa).

IMPORTANT: Failure to isolate or disconnect dryer from supply as noted can cause irreparable damage to the gas valves **VOIDING THE WARRANTY.**

WARNING: FIRE OR EXPLOSION COULD RESULT DUE TO FAILURE OF ISOLATING OR DISCONNECTING THE GAS SUPPLY AS NOTED.

1. Gas Supply

The gas dryer installation **must meet** the American National Standard...National Fuel Gas Code ANSI Z223.1-LATEST EDITION, or in Canada, the Canadian Installation Codes CAN/CGA-B149.1 M91 (Natural Gas) or CAN/CGA-B149.2-M91 (liquid propane [L.P.] Gas) or LATEST EDITION, as well as local codes and ordinances and **must be** done by a qualified professional.

NOTE: Undersized gas piping will result in ignition problems, slow drying, increased use of energy, and can create a safety hazard.

The dryer **must be** connected to the type of heat or gas indicated on the dryer data label. If this information does not agree with the type of gas available, **DO NOT operate dryer.** Contact the reseller who sold the dryer or contact the **ADC** factory.

IMPORTANT: Any burner changes or conversions **must be** made by a qualified professional.

The input ratings shown on the dryer data label are for elevations of up to 2,000 feet (609.6 meters), unless elevation requirements of over 2,000 feet (609.6 meters) were specified at the time the dryer order was placed with the factory. The adjustment or conversion of dryers in the field for elevations over 2,000 feet (609.6 meters) is made by changing each burner orifice. If this conversion is necessary, contact the reseller who sold the dryer or contact the **ADC** factory.

IMPORTANT: This gas dryer **is not** provided with an internal gas supply shut off and an external gas supply shut off **must be** provided.

2. Technical Gas Data

a. Gas Specifications

TYPE OF GAS				
	NATURAL		LIQUID PROPANE	
Manifold Pressure*	3.5 inches W.C.	8.7 mb	10.5 inches W.C.	26.1 mb
In-Line Pressure	6.0 - 12.0 inches W.C.	14.92 - 29.9 mb	11.0 inches W.C.	27.4 mb

Shaded areas are stated in metric equivalents

b. Gas Connections

- Inlet connection 1" N.P.T.
- Inlet supply size 1" Diameter Pipe (minimum)
- Btu/hr input 270,000 (68,040 kcal/hr)

1) Natural Gas

Regulation is controlled by the dryer’s gas valve’s internal regulator. Incoming supply pressure **must be** consistent between a minimum of 6.0 inches (14.92 mb) and a maximum of 12.0 inches (29.9 mb) water column (W.C.) pressure.

2) Liquid Propane (L.P.) Gas

Dryers made for use with L.P. gas have the gas valve’s internal pressure regulator blocked open so that the gas pressure **must be** regulated upstream of the dryer. The pressure measured at each gas valve pressure tap **must be** a consistent 10.5 inches (26.1 mb) water column. There is no regulator or regulation provided in an L.P. dryer. The water column pressure **must be** regulated at the source (L.P. tank) or an external regulator **must be** added to each dryer.

		TYPE OF GAS						Liquid Propane Conversion Kit Part Number
Btu/hr Rating	kcal/hr Rating	Natural			Liquid Propane			
		Qty.	D.M.S.*	Part No.	Qty.	D.M.S.*	Part No.	
270,000	68,040	4	#23	140856	#41	#41	140811	881016

Shaded area is stated in metric equivalent

* Drill Material Size (D.M.S.) equivalents are as follows:

Natural Gas#23 = 0.154" (3.9116 mm).
 L.P. Gas#41 = 0.096" (2.4384 mm).

3. Piping and Connections

ALL components/materials **must conform** to National Fuel Gas Code Specifications ANSI Z223.1-LATEST EDITION, or in Canada, CAN/CGA-B149.1-M91 (Natural Gas) or CAN/CGA-B149.2-M91 (L.P. Gas) or LATEST EDITION (for General Installation and Gas Plumbing), as well as local codes and ordinances and **must be** done by a qualified professional. It is important that gas pressure regulators meet applicable pressure requirements, and that gas meters be rated for the total amount of **ALL** the appliance Btus being supplied.

The dryer is provided with a 1” N.P.T. inlet pipe connection extending out the back area of the burner box. The minimum pipe size connection (supply line) to the dryer is 1” diameter. For ease of servicing, the gas supply line of each dryer must have its own shutoff valve.

The size of the main gas supply line (header) will vary depending on the distance this line travels from the gas meter or, in the case of L.P. gas, the supply tank, other gas operated appliances on the same supply line, etc. Specific information regarding supply line size **should be** determined by the gas supplier.

NOTE: Undersized gas supply piping can create a low or inconsistent pressure, which will result in erratic operation of the burner ignition system.

Consistent gas pressure is essential at **ALL** gas connections. It is recommended that a 1-inch (2.54 cm) pipe gas loop be installed in the supply line servicing a bank of dryers. An in-line pressure regulator **must be** installed in the gas supply line (header) if the (natural) gas pressure exceeds 12.0 inches (29.9 mb) of W.C. pressure.

IMPORTANT: A water column pressure of 3.5 inches (8.7 mb) for natural gas and 10.5 inches (26.1 mb) for L.P. dryers is required at the gas valve pressure tap of each dryer for proper and safe operation.

A 1/8" N.P.T. plugged tap, accessible for a test gauge connection, **must be** installed in the main gas supply line immediately upstream of each dryer.

IMPORTANT: Pipe joint compounds that resist the action of natural and liquid propane (L.P.) gases **must be** used.

IMPORTANT: Test **ALL** connections for leaks by brushing on a soapy water solution (liquid detergent works well).

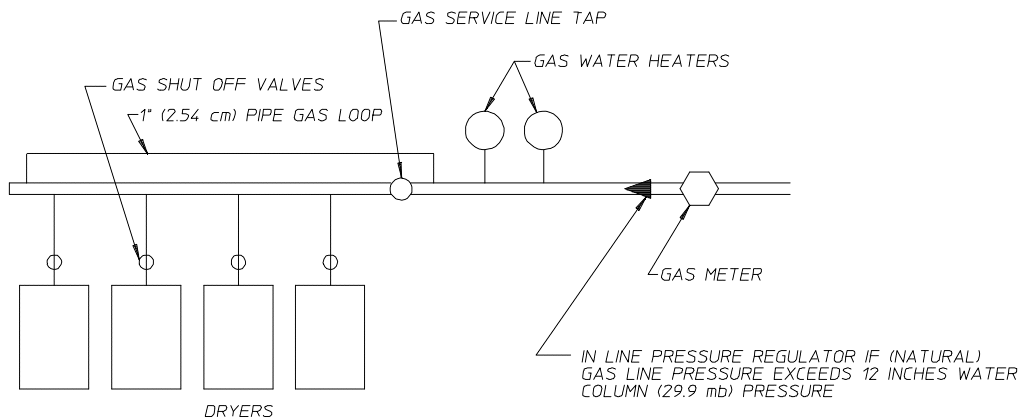
WARNING: NEVER TEST FOR LEAKS WITH A FLAME!!!

IMPORTANT: The dryer and its individual shutoff valve **must be** disconnected from the gas supply piping system during any pressure testing of that system at test pressures in excess of 1/2 psig (3.5 kPa).

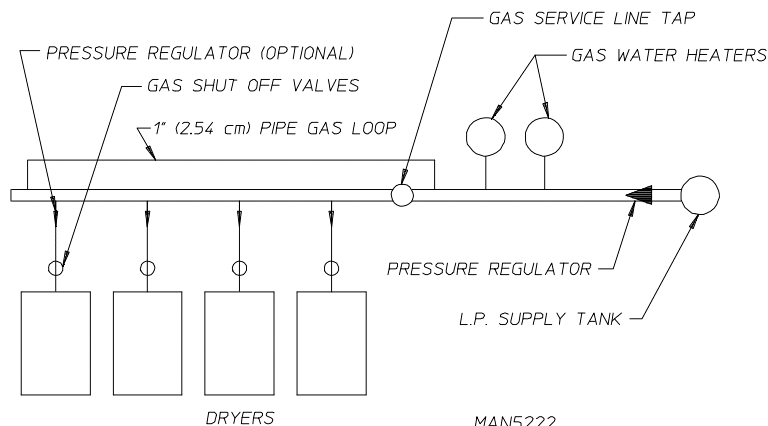
IMPORTANT: This gas dryer **is not** provided with an internal gas supply shut off and an external gas supply shut off **must be** provided.

NOTE: The dryer **must be** isolated from the gas supply piping system by closing its individual manual shutoff valve during any pressure testing of the gas supply piping system at test pressures equal to or less than 1/2 psig (3.5 kPa).

TYPICAL NATURAL GAS INSTALLATION



TYPICAL L.P. GAS INSTALLATION



TCOSTA 04/19/00

MAN5222

H. STEAM INFORMATION

It is your responsibility to have **ALL** steam plumbing connections made by a qualified professional to ensure that the installation is adequate and conforms to local and state regulations or codes.

IMPORTANT: Failure to comply with the requirements stipulated in this manual can result in component failure, which will VOID THE WARRANTY.

NOTE: This dryer is manufactured with a pneumatic (piston) damper system, which requires an external supply of clean, dry, and regulated air (80 psi +/- 10 psi [5.51 bar +/- 0.68 bar]). Refer to **Steam Damper Air System Connections, Section H, item 3.**

IMPORTANT: STEAM pH LEVEL – The normal pH level for copper type steam coils *must be* maintained between a value of 8.5 to 9.5. For steel type steam coils, the pH level *must be* maintained between a value of 9.5 and 10.5. These limits are set to limit the acid attack of the steam coils.

1. Steam Requirements, High Pressure

- a. Inlet ----- 1” supply line connection – qty. one (1) at top manifold.
- b. Return -- 1” return line connection – qty. one (1) at bottom manifold.

Operating Steam Pressure		
Maximum	125 psig*	861.84 kPa
Heat Input (Normal Load)	11 Bhp	
Consumption (Approximate)	375 lbs/hr	170.09 kg/hr

Shaded areas are stated in metric equivalents

* The minimum operating pressure is 100 psig (689.47 kPa) for optimum results.

2. Installation Instructions

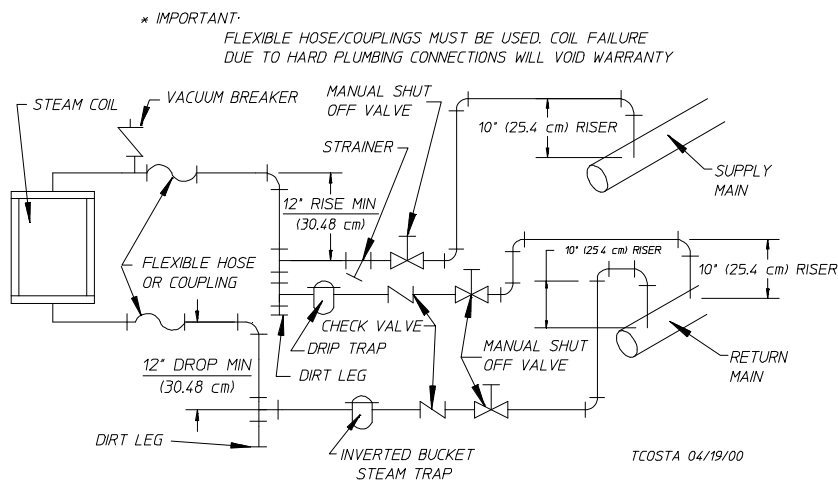
To insure that an adequate supply of steam is provided, be sure that the steam supply lines and steam return lines are sized and laid out as stipulated in this manual. Inadequate steam supply lines and steam return lines or improper steam plumbing will result in poor performance and can cause component failure. Clean, dry, and regulated steam **must be** provided to the dryer.

IMPORTANT: Steam coil failure due to water hammer by wet steam VOIDS THE WARRANTY.

- a. The pressure of the condensate in the steam supply line will cause water hammer and subsequent heat exchanger (steam coil) failure. The steam supply line connection into the main supply line **must be** made with a minimum 12-inch (30.48 cm) riser. This will prevent any condensate from draining towards the dryer.
- b. The steam supply piping to the dryer must include a 12-inch (30.48 cm) riser along with a drip trap and check valve. This will prevent any condensate from entering the steam coil.
- c. Flexible hoses or couplings **must be** used. The dryer vibrates slightly when it runs and this will cause the steam coil connections to crack if they are hard piped to the supply and return mains.

- d. Shutoff valves for each dryer **should be** installed in the supply, return, and drip trap return lines. This will allow the dryer to be isolated from the supply and return mains if the dryer needs maintenance work.
- e. Install an inverted bucket steam trap and check valve for each unit at least 12-inches (30.48 cm) below steam coil as close to the coil as possible. A trap with a capacity of 1,000 lbs (454 kg) of condensate per hour at 125 psi (8.62 bar) is needed for each unit.
- f. A vacuum breaker **should be** installed for each unit in the piping. This will prevent the condensing steam from causing a vacuum inside the coil and possibly damaging the coil.
- g. The supply and return lines **should be** insulated. This will save energy and provide for the safety of the operator and maintenance personnel.
- h. Water pockets in the supply line, caused by low points, will provide wet steam to the coil possibly causing coil damage. **ALL** horizontal runs of steam supply piping **should be** pitched 1/4-inch (6.35 mm) for every 1 foot (0.30 meters) back towards the steam supply header causing any condensate in the line to drain to the header. Install a bypass trap in any low point to eliminate wet steam.

IMPORTANT: Flexible hoses and couplings *must be* used. Coil failure due to hard plumbing connections will **VOID THE WARRANTY**.



STEAM DAMPER SYSTEM

MAN5221

3. Steam Damper Air System Connections

This dryer is manufactured with a pneumatic (piston) damper system, which requires an external supply of compressed air. The air connection is made to the steam damper solenoid valve, which is located at the rear inner top area of the dryer just above the electric service relay box.

a. Air Requirements

Compressed Air Supply	Air Pressure	
Normal	80 psi	5.51 bar
Minimum Supply	70 psi	4.82 bar
Maximum Supply	90 psi	6.21 bar

Shaded areas are stated in metric equivalents

b. Air Connection

Air connection to system --- 1/8" N.P.T.

- c. No air regulation or filtration is provided with the dryer. External regulation and filtration of 80 psi (5.51 bar) **must be** provided. It is suggested that a regulator or filter gauge arrangement be added to the compressed air line just before the dryer connection. This is necessary to insure that correct and clean air pressure is achieved.

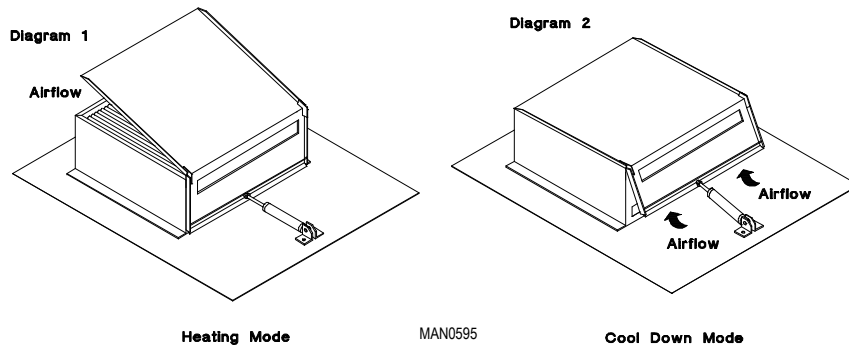
4. Steam Damper System Operation

The steam damper, as shown in the **illustration** below, allows the coil to stay constantly charged eliminating repeated expansion and contraction. When the damper is opened, the air immediately passes through the already hot coil, providing instant heat to start the drying process. When the damper is closed, ambient air is drawn directly into the basket (tumbler), allowing a rapid cool down.

Diagram 1 shows the damper in the heating (open) mode, allowing heat into the basket (tumbler).

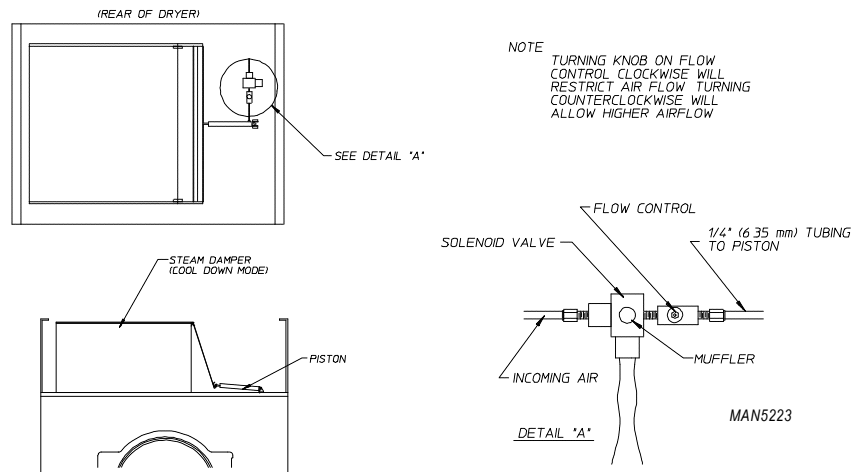
Diagram 2 shows the damper in the cool down (closed) mode, pulling ambient air directly into the basket (tumbler) without passing through the coils.

NOTE: With the dryer off or with no air supply, the damper is in the cool down mode as shown in Diagram 2.



5. Steam Damper Air Piston (flow control) Operation Adjustment

Although the damper operation was tested and adjusted prior to shipping at 80 psi (5.51 bar), steam damper operation **must be** checked before the dryer is put into operation. Refer to **page 28** for instructions to check steam damper operation. If damper air adjustment is necessary, locate flow control valve and make necessary adjustments as noted below.



I. WATER INFORMATION

BEFORE YOU START!

CHECK LOCAL CODES AND PERMITS

Call your local water company or the proper municipal authority for information regarding local codes.

IMPORTANT: It is your responsibility to have **ALL** plumbing connections made by a qualified professional to ensure that the plumbing installation is adequate and conforms to local, state, and federal regulations or codes.

IMPORTANT: It is the installation or owners responsibility to see that the necessary or required water, water pressure, pipe size, or connections are provided. Manufacturer assumes no responsibility if the fire suppression system **is not** connected, installed, or maintained properly.

INSTALLATION

1. Requirements

The fire suppression system **must be** supplied with a minimum water pipe size of 1/2" and be provided with 40 psi +/- 20 psi (2.75 bar +/- 1.37 bar) of pressure. For use of optional manual bypass, a second source with the same piping and pressure requirements is required.

Flexible 1/2 feeds **must be** provided to avoid damage to electric water solenoid valve by vibration.

IMPORTANT: Flexible supply line/coupling **must be** used. Solenoid valve failure due to hard plumbing connections **WILL VOID WARRANTY.**

If the rear area of the dryer, or the water supply is located in an area where it **will be** exposed to cold/freezing temperatures, provisions **must be** made to protect these water lines from freezing.

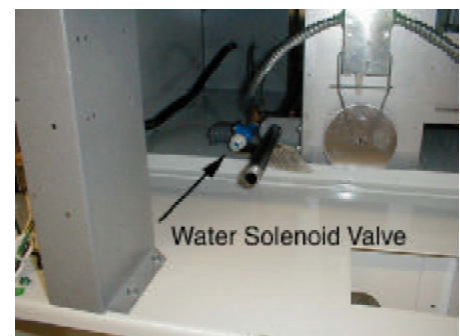
WARNING: If the water in the supply line or water solenoid valve freezes, the fire suppression system **will be** INOPERATIVE!!

IMPORTANT: Appliance is to be connected to the water mains using a new hose-set and the old hose-sets **should not be** reused.

2. Water Connections:

The water connection is made to the 3/4"-11.5 NH hose adapter of the electric water solenoid valve, located at the rear upper midsection of the dryer (refer to the photo).

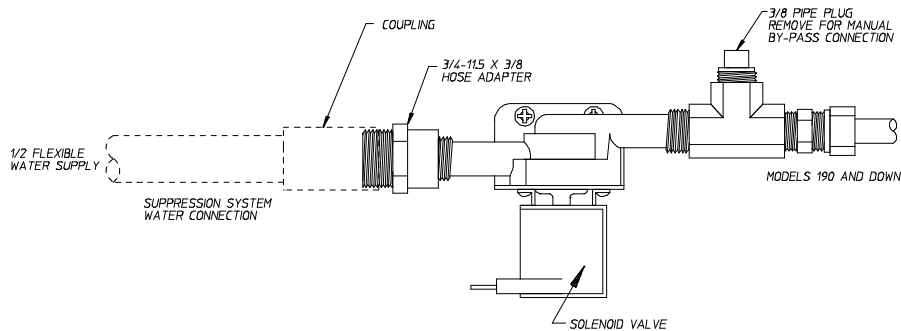
The water solenoid valve has a 3/8" M.P.T. connection supplied with a 3/4"-11.5 NH hose adapter to provide the minimum 1/2-inch supply (feed) line. Flexible supply line/coupling **must be** used in an effort to avoid damaging the electric water solenoid valve.



NOTE: The 3/4"-11.5 NH is a standard hose coupling screw thread. It **is not** to be confused with 3/4" N.P.T. The sealing of an NH connection is made with a washer opposed to the mating threads of an N.P.T. assembly. The two (2) thread designs **are not** compatible.

IMPORTANT: Flexible supply line/coupling *must be* used. Solenoid valve failure due to hard plumbing connections **WILL VOID WARRANTY**. **It is recommended** that a filter or strainer be installed in the water supply line.

Typical water supply:



MGOLDSTEIN 7/1/03

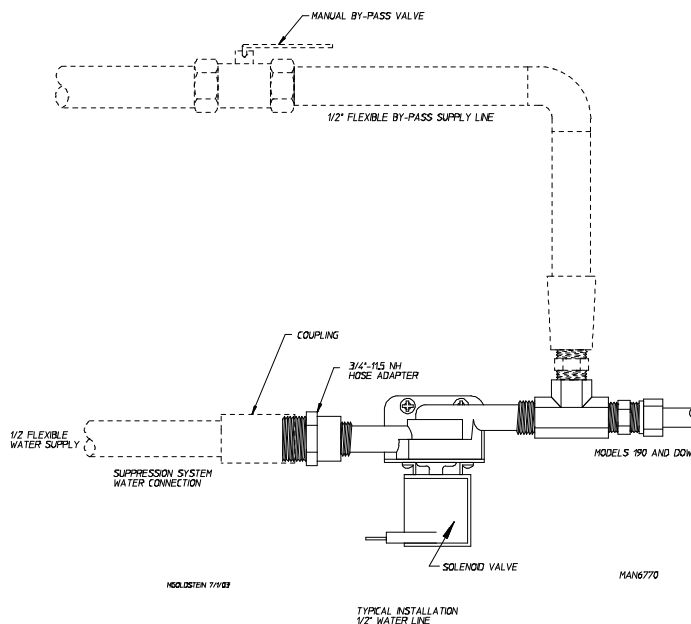
MAN6771

OPTIONAL MANUAL BYPASS

Provisions are made in the dryer's fire suppression system for the installation of an optional manual bypass. Depending on the model dryer, the connections for the manual bypass are made at the "T" or "four way" fitting located in the outlet supply side of the water solenoid valve. The use and connections of this manual bypass are at the option or discretion of the owner.

The water connection for the manual bypass is made to the "T" or "four way" fitting which has a 3/8" F.P.T. and a coupling **must be** used to provide the minimum 1/2" supply (feed) line.

If the rear area of the dryer, or the water supply is located in an area where it will be exposed to cold/freezing temperatures, provisions **must be** made to protect these water lines from freezing.



WARNING: If the water in the supply line or water solenoid valve freezes, the fire suppression system **will be** INOPERATIVE!!

The manual ball cock shutoff valve **must be** located outside of the dryer at a distance from the dryer where it is easily accessible.

3. Electrical Requirements

No independent external power source or supply connection is necessary. The 24 volt power to operate the fire suppression system is accomplished internally in the dryer (from the dryer controls).

WARNING: Electrical power *must be* provided to the dryer at **ALL** times. If the main electrical power supply to the dryer is disconnected, the fire suppression system is **INOPERATIVE!!**

I. PREPARATION FOR OPERATION/START-UP

The following items **should be** checked before attempting to operate the dryer:

1. Read and follow **ALL** “CAUTION,” “WARNING,” and “DIRECTION” labels attached to the dryer.
2. Check incoming supply voltage to be sure that it is the same as indicated on the dryer data label. In the case of 208 VAC or 240 VAC, the supply voltage must match the electric service **exactly**.
3. **GAS MODELS** - check to ensure that the dryer is connected to the type of heat/gas indicated on the dryer data label.
4. **GAS MODELS** - the sail switch damper assembly was installed and adjusted at the factory prior to shipping. However, each sail switch adjustment **must be** checked to ensure that this important safety control is functioning. (Refer to **page 29** for sail switch adjustment.)
5. **GAS MODELS** - be sure that **ALL** gas shutoff valves are in the open position.
6. Be sure **ALL** back panels (guards) and electric box cover have been replaced.
7. Check **ALL** service doors to ensure that they are closed and secured in place.
8. Be sure the lint drawer is closed and securely in place.

NOTE: Lint drawer *must be* all the way in place to activate safety switch otherwise the dryer **will not** start.

9. Rotate the basket (tumbler/drum) by hand to be sure it moves freely.
10. Check bolts, nuts, screws, terminals, and fittings for security.
11. **STEAM MODELS** - check to insure air supply (80 psi [5.51 bar]) is supplied to dryer.
12. **STEAM MODELS** - check to insure **ALL** steam shutoff valves are open.
13. **STEAM MODELS** - check steam damper operation.
14. Check basket (tumbler) bearing setscrews to insure they are **ALL** tight.

J. PREOPERATIONAL TESTS

ALL dryers are thoroughly tested and inspected before leaving the factory. However, a preoperational test **should be** performed before the dryer is publicly used. It is possible that adjustments have changed in transit or due to marginal location (installation) conditions.

1. Turn on electric power to the dryer.

Open **ALL** shutoff valves (gas models only).

2. Refer to the Operating Instructions for starting your particular model dryer.

3. Gas Dryers

- a. When a gas dryer is first started (during initial start-up), it has a tendency not to ignite on the first ignition attempt. This is because the gas supply piping is filled with air, so it may take a few minutes for the air to be purged from the lines.

NOTE: During the purging period, check to be sure that **ALL** gas shutoff valves are open.

NOTE: Gas dryers are equipped with a Direct Spark Ignition (DSI) system, which has internal diagnostics. If ignition **is not** established within three (3) times, the heat circuit in the DSI module will lockout until it is manually reset. To reset the DSI system, open and close the main door and restart the dryer.

- b. A gas pressure test **should be** taken at the gas valve pressure tap of each dryer to ensure that the water column (W.C.) pressure is correct and consistent.

NOTE: Water column pressure requirements (measured at the pressure tap of the gas valve body):

Natural Gas 3.5 Inches (8.7 mb) water column.
Liquid Propane (L.P.) Gas 10.5 Inches (26.1 mb) water column.

IMPORTANT: There is no regulator provided in an L.P. dryer. The water column pressure **must be** regulated at the source (L.P. tank), or an external regulator **must be** added to each dryer.

4. Steam Dryers

Check to insure that steam damper is functioning properly.

The steam damper should not “slam” (open or closed) when it reaches the end of (piston) travel. Additionally, the steam damper should not bind and/or stop during travel. If either of these conditions occur, the flow control **must be** adjusted. (Refer to the **bottom illustration** on **page 24** for air adjustment instructions.)

5. Make a complete operational check of **ALL** safety related circuits:

- a. Door switch(es)
- b. Hi-limit thermostats
- c. Lint drawer switch
- d. Sail switch (for gas models only)

NOTE: To check for proper sail switch operation (for gas models only), open the main door and while holding main door switch plunger in, start dryer. Dryer should start but heat circuit *should not be* activated (on). If heat (burner) does activate, shut dryer off and make necessary adjustments.

6. The dryer **should be** operated through one (1) complete cycle to ensure that no further adjustments are necessary and that **ALL** components are functioning properly.

BASKET (TUMBLER) COATING

The basket (tumbler) is treated with a protective coating. We suggest dampening old garments or cloth material with a solution of water and nonflammable mild detergent and tumbling them in the basket (tumbler) to remove this coating.

7. Make a complete operational check of **ALL** operating controls.

Microprocessor controller (computer) programs/selections:

Each microprocessor controller (computer) has been preprogrammed by the factory with the most commonly used parameter (program) selections. If computer program changes are required, refer to the computer programming manual, which was shipped with the dryer.

8. Check the electric service phase sequence. While the dryer is operating, check to see if the blower wheel (impellor/fan) is rotating in the proper direction. Looking from the front, the blower wheel (impellor/fan) should spin in the clockwise (CW) direction. If it is, the phasing is correct. If the phasing is incorrect, reverse two (2) of the three (3) leads at connections L1, L2, or L3 of the power supply to the dryer.

IMPORTANT: If the blower wheel (impellor/fan) is rotating in the wrong direction, it will drastically reduce drying efficiency, and it can also cause premature component failure.

9. Reversing basket (tumbler) dryers **should never be** operated with less than a 50 lb (22.68 kg) load (dry weight), since the load's weight effects the basket (tumbler) coast time during a direction reversal command. It is important that the basket (tumbler) comes to a complete stop prior to starting in opposite direction.

Microprocessor Models

- a. Spin and dwell (stop) times are not adjustable in the Automatic Mode and have been preprogrammed into the microprocessor controller (computer) for 120-seconds spin time and a 5-second dwell (stop) time.
 - b. Spin and dwell (stop) times are adjustable in the Manual (timed) Mode.
10. Check to insure that **ALL** setscrews (i.e., basket [tumbler] drive, idler, etc.) are tight.

K. PREOPERATIONAL INSTRUCTIONS

To start the dryer (microprocessor controller [computer] dryers):

1. The light emitting diode (L.E.D.) display will read “REAdY.”
2. Press the “E” on the keyboard (touch pad).
3. The dryer will start and the L.E.D. display will flash “dRYING MANUAL CYCLE,” “dRY TEMP 180° F,” “COOL TEMP 80° F,” “30 REMAIN,” and “dRUM TEMP.”

Refer to the User’s Manual for detailed operating instructions.

L. SHUTDOWN INSTRUCTIONS

If the dryer is to be shutdown (taken out of service) for a period of time, the following **must be** performed:

1. Discontinue power to the dryer either at the external disconnect switch or the circuit breaker.
2. Discontinue the gas or steam supply:
 - a. ***GAS MODELS* - discontinue the gas supply.**
 - 1) **SHUT OFF external gas supply shutoff valve.**
 - 2) **SHUT OFF internal gas supply shutoff valve located at the gas valve train area.**
 - b. ***STEAM MODELS* - discontinue the steam supply.**
SHUT OFF external steam valves in the supply lines and the return lines.

SECTION IV

SERVICE/PARTS INFORMATION

A. SERVICE

Service **must be** performed by a qualified trained technician, service agency, or gas supplier. If service is required, contact the reseller from whom the **ADC** equipment was purchased. If the reseller **cannot** be contacted or is unknown, contact the **ADC** Service Department for a reseller in your area.

NOTE: When contacting the **ADC** Service Department, be sure to give them the correct **model number** and **serial number** so that your inquiry is handled in an expeditious manner.

B. PARTS

Replacement parts **should be** purchased from the reseller from whom the **ADC** equipment was purchased. If the reseller **cannot** be contacted or is unknown, contact the **ADC** Parts Department for a reseller in your area. Parts may also be purchased directly from the factory by calling the **ADC** Parts Department at (508) 678-9000 or you may FAX in your order at (508) 678-9447.

NOTE: When ordering replacement parts from the **ADC** reseller or the **ADC** factory be sure to give them the correct **model number** and **serial number** so that your parts order can be processed in an expeditious manner.

SECTION V

WARRANTY INFORMATION

A. RETURNING WARRANTY CARDS

Before any dryer leaves the **ADC** factory test area, a warranty card is placed on the back side of the main door glass. These warranty cards are intended to serve the customer where we record the individual installation date and warranty information to better serve you should you file a warranty claim.

If a warranty card did not come with your dryer, contact the **ADC** Warranty Department or the **ADC** Service Department at (508) 678-9000.

IMPORTANT: A separate warranty card *must be* completed and returned for each individual dryer.

NOTE: Be sure to include the installation date when returning the warranty card(s).

B. WARRANTY

For a copy of the **ADC** commercial warranty covering your particular dryer(s), contact the **ADC** reseller from whom you purchased the equipment and request a dryer warranty form. If the reseller **cannot** be contacted or is unknown, warranty information can be obtained from the factory by contacting the **ADC** Warranty Department at (508) 678-9000.

NOTE: Whenever contacting the **ADC** factory for warranty information, be sure to have the dryer's **model number** and **serial number** available so that your inquiry can be handled in an expeditious manner.

C. RETURNING WARRANTY PARTS

ALL dryer or parts warranty claims or inquires **should be** addressed to the **ADC** Warranty Parts Department. To expedite processing, the following procedures **must be** followed:

1. No parts are to be returned to **ADC** without prior written authorization (“Return Material Authorization” [R.M.A.]) from the factory.

NOTE: An R.M.A. is valid for only thirty (30) days from date of issue.

The R.M.A. issued by the factory, as well as any other correspondence pertaining to the returned part(s), **must be** included inside the package with the failed merchandise.

2. Each part **must be** tagged with the following information:
 - a. **Model number** and **serial number** of the dryer from which part was removed.
 - b. Nature of failure (be specific).
 - c. Date of dryer installation.
 - d. Date of part failure.
 - e. Specify whether the part(s) being returned is for a replacement, a credit, or a refund.

NOTE: If a part is marked for a credit or a refund, the invoice number covering the purchase of the replacement part **must be** provided.

NOTE: Warranty tags (ADC Part No. 450064) are available at “no charge” from ADC upon request.

3. The company returning the part(s) must clearly note the complete company name and address on the outside of the package.
4. **ALL** returns **must be** properly packaged to insure that they are not damaged in transit. *Damage claims are the responsibility of the shipper.*

IMPORTANT: No replacements, credits, or refunds **will be** issued for merchandise damaged in transit.

5. **ALL** returns **should be** shipped to the ADC factory in such a manner that they are insured and a proof of delivery can be obtained by the sender.
6. **Shipping charges are not the responsibility of ADC. ALL returns should be “prepaid” to the factory. Any “C.O.D.” or “COLLECT” returns will not be accepted.**

IMPORTANT: No replacements, credits, or refunds **will be** issued if the claim **cannot** be processed due to insufficient information. The party filing the claim **will be** notified in writing, either by “FAX” or “CERTIFIED MAIL - Return Receipt Requested,” as to the information necessary to process claim. If reply **is not** received by the ADC Warranty Department within thirty (30) days from the FAX/letter date, then no replacements, credits, or refunds **will be** issued, and the merchandise **will be** discarded.

SECTION VI

ROUTINE MAINTENANCE

A. CLEANING

A program and/or schedule **should be** established for periodic inspection, cleaning, and removal of lint from various areas of the dryer, as well as throughout the ductwork system. The frequency of cleaning can best be determined from experience at each location. Maximum operating efficiency is dependent upon proper air circulation. The accumulation of lint can restrict this airflow. If the guidelines in this section are met, an ADC dryer will provide many years of efficient, trouble free, and most importantly safe operation.

WARNING: LINT FROM MOST FABRICS IS HIGHLY COMBUSTIBLE. THE ACCUMULATION OF LINT CAN CREATE A POTENTIAL FIRE HAZARD.

WARNING: KEEP DRYER AREA CLEAR AND FREE FROM COMBUSTIBLE MATERIALS, GASOLINE, AND OTHER FLAMMABLE VAPORS AND LIQUIDS.

NOTE: Suggested time intervals shown are for average usage which is considered six (6) to eight (8) operational (running) hours per day.

IMPORTANT: Dryer produces combustible lint and *must be* exhausted to the outdoors. Every 6 months, inspect the exhaust ducting and remove any lint buildup.

Clean lint from lint drawer/screen every third or every fourth load. Inspect lint screen and replace if torn.

NOTE: The frequency can be determined at each location.

WEEKLY

Clean lint accumulation from the lint chamber, thermostat, and microprocessor temperature sensor (sensor bracket) area.

WARNING: TO AVOID THE HAZARD OF ELECTRICAL SHOCK, DISCONTINUE ELECTRICAL POWER SUPPLY TO THE DRYER.

STEAM DRYERS

Clean the steam coil fins. We suggest using compressed air and a vacuum cleaner with brush attachment.

NOTE: When cleaning steam coil fins, be careful not to bend the fins. If the fins are bent, straighten by using a fin comb, which is available from any local air conditioning supply house.

90 DAYS

1. Remove lint from around basket (tumbler), drive motors, and surrounding areas.
2. Remove lint from gas valve burner area with a dusting brush or vacuum cleaner attachment.
3. Clean any lint accumulation in and around both the blower and drive motor casing openings.

NOTE: To prevent damage, avoid cleaning and/or touching ignitor/flame-probe assembly.

4. Remove lint accumulation from inside control box and at rear area behind control box.

EVERY 6 MONTHS

Inspect and remove lint accumulation in customer furnished exhaust ductwork system and from dryer's internal exhaust ducting.

WARNING: THE ACCUMULATION OF LINT IN THE EXHAUST DUCTWORK CAN CREATE A POTENTIAL FIRE HAZARD.

WARNING: DO NOT OBSTRUCT THE FLOW OF COMBUSTION AND VENTILATION AIR. CHECK BACK DRAFT DAMPERS IN THE EXHAUST DUCTWORK. INSPECT AND REMOVE ANY LINT ACCUMULATION, WHICH CAN CAUSE THE DAMPER TO BIND OR STICK.

NOTE: A back draft damper that is sticking partially closed can result in slow drying and shutdown of heat circuit safety switches or thermostats.

NOTE: When cleaning the dryer cabinets, avoid using harsh abrasives. A product intended for the cleaning of appliances is recommended.

B. ADJUSTMENTS

7 DAYS AFTER INSTALLATION AND EVERY 6 MONTHS THEREAFTER

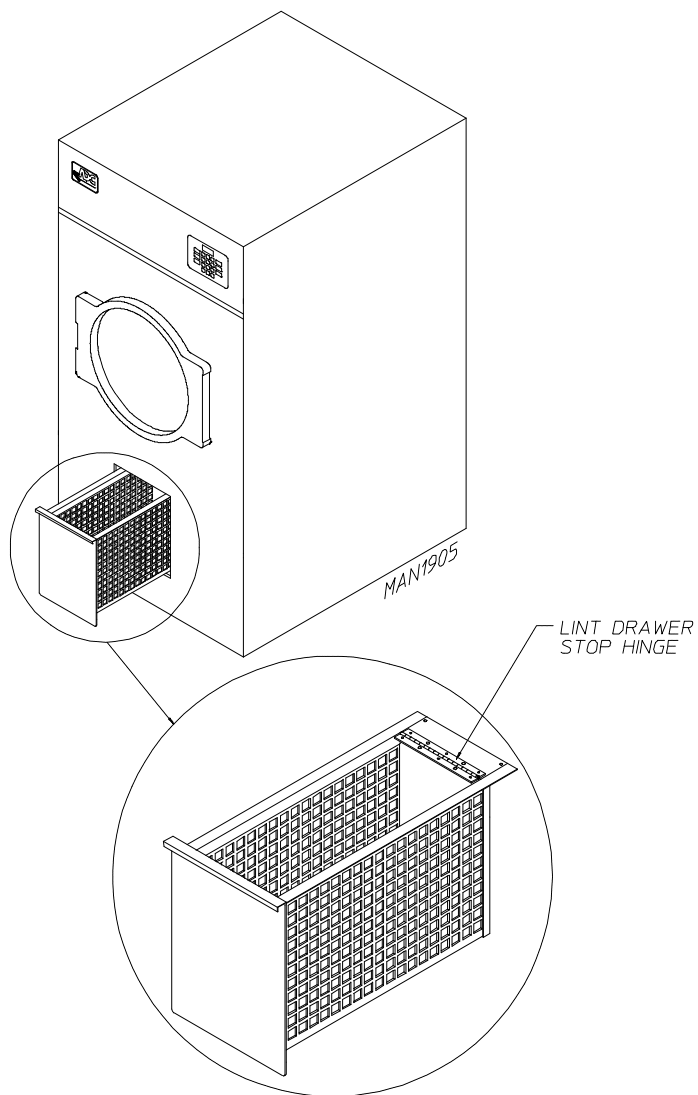
Inspect bolts, nuts, screws, setscrews, grounding connections, and nonpermanent gas connections (unions, shutoff valves, and orifices). Motor and drive belts **should be** examined. Cracked or seriously frayed belts **should be** replaced. Tighten loose V-belts when necessary. Complete operational check of controls and valves. Complete operational check of **ALL** safety devices (door switch, lint drawer switch, sail switch, burner, and hi-limit thermostats).

C. LUBRICATION

The motor bearings and under normal/most conditions the basket (tumbler) and idler bearings are permanently lubricated. It is physically possible to relubricate the basket (tumbler) and idler bearings if you choose to do so even though this practice is not necessary. Use Shell Alvania #2 or its equivalent. The basket (tumbler) and idler bearings used in the dryer **DO NOT** have a grease fitting. Provisions are made in the bearing housing for the addition of a grease fitting, which can be obtained elsewhere, or from **ADC** by ordering kit Part No. 882159 (basket [tumbler] only), which includes two (2) fittings.

D. LINT DRAWER REMOVAL

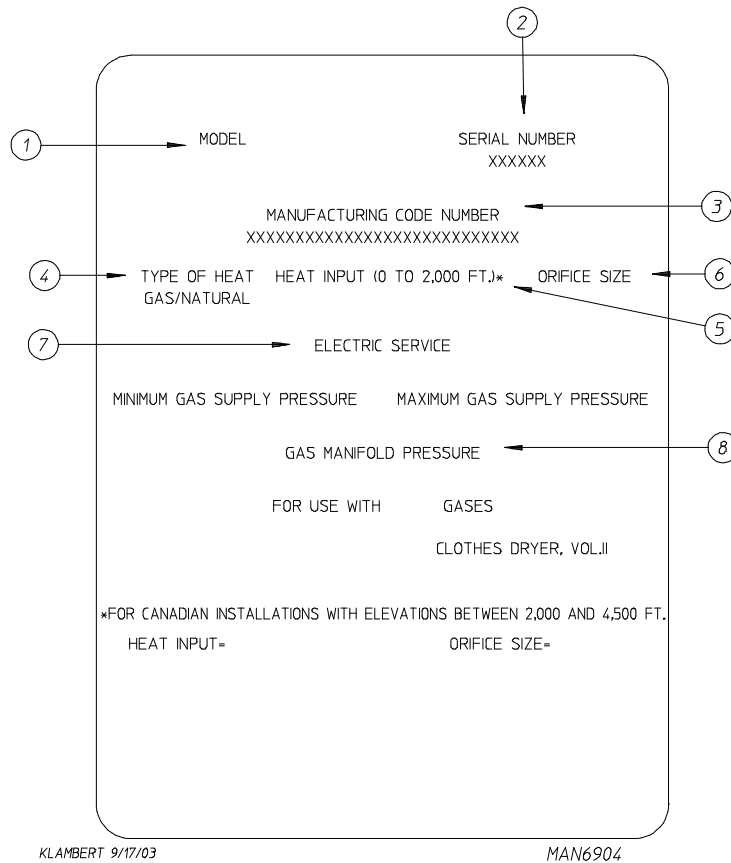
To remove the lint drawer from the dryer pull drawer out approximately halfway. Rotate and move lint drawer stop hinge (refer to the **illustration below**) downward and pull drawer out.



IMPORTANT: After reinstalling the lint drawer back into the dryer, be sure to rotate/move the hinge back to the upward stop position.

SECTION VII

DATA LABEL INFORMATION



When contacting **American Dryer Corporation**, certain information is required to insure proper service/parts information from **ADC**. This information is on the data label located on the left side panel area behind top control (access) door. When contacting **ADC**, please have the **model number** and **serial number** available.

1. **MODEL NUMBER** – Describes the style of dryer and type of heat (gas, electric, or steam).
2. **SERIAL NUMBER** – Allows the manufacturer to gather information on your particular dryer.
3. **MANUFACTURING CODE NUMBER** – The number issued by the manufacturer, which describes **ALL** possible options on your particular model.
4. **TYPE OF HEAT** – This describes the type of heat for your particular dryer, gas (either natural gas or liquid propane [L.P.] gas), electric, or steam.
5. **HEAT INPUT** (for GAS DRYERS) – This describes the heat input in British Thermal Units per Hour (Btu/hr).
6. **ORIFICE SIZE** (for GAS DRYERS) – Gives the number drill size used.
7. **ELECTRIC SERVICE** – This describes the electric service for your particular model.
8. **GAS MANIFOLD PRESSURE** (for GAS DRYERS) – This describes the manifold pressure taken at the gas valve tap.

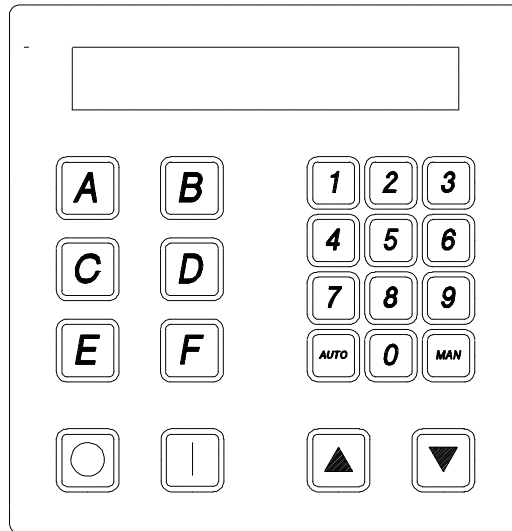
SECTION VIII

PROCEDURE FOR FUNCTIONAL CHECK

OF REPLACEMENT COMPONENTS

1. Microprocessor Controller (computer) Board

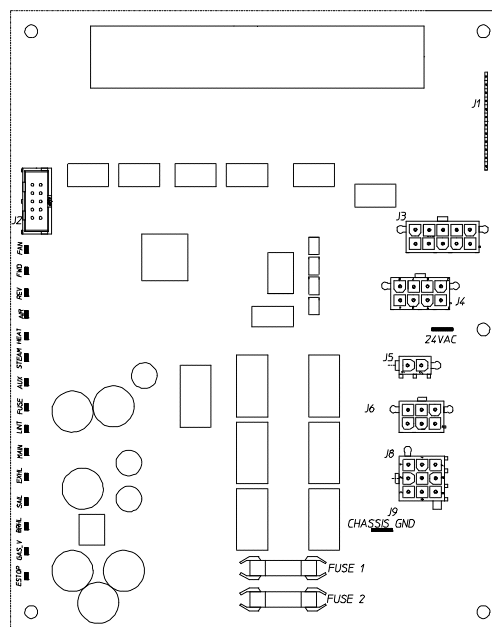
- a. Upon completing installation of the replacement microprocessor controller (computer) board, reestablish power to the dryer.
- b. Start the drying cycle by pressing any of the preset cycles in letters A-F.



MC 8/02/01

MAN5846

- c. Verify that the applicable indicator lights on the back side of the microprocessor controller (computer) board are lit. (Refer to the **illustration below.**)



MAN5825

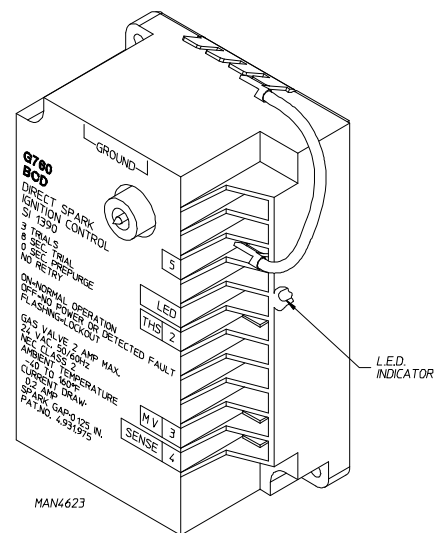
2. For Models with Direct Spark Ignition (DSI) Module (Type I)

Theory of Operation:

Start the drying cycle. When the gas burner ignites within the chosen trial for ignition time (6-seconds), the flame sensor detects gas burner flame and signals the DSI module to keep the gas valve open as long as there is a call for heat. The DSI module will “LOCKOUT” if the gas burner flame is not sensed at the end of the trial for ignition period. The trial for ignition period will be repeated for a total of three (3) retries/trials (the initial try and two [2] more retries/trials). If the flame is not sensed at the end of the third retry/trial (inter-purge period of 30-seconds) the DSI module will “LOCKOUT” (light emitting diode [L.E.D.] diagnostic indicator flashes).

A steady L.E.D. indicator indicates normal operation.

No L.E.D. indicator indicates a power or an internal failure has occurred.



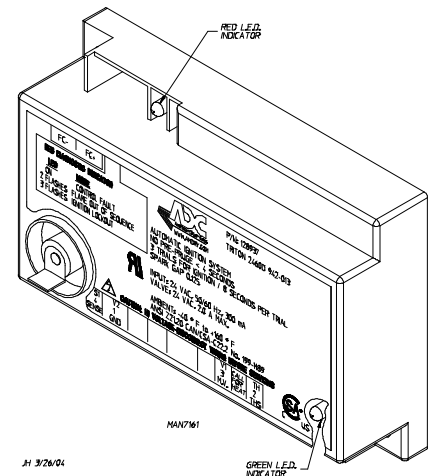
3. For Models with DSI Module (Type II)

Theory of Operation:

Start the drying cycle. When the gas burner ignites within the chosen trial for ignition time (8-seconds), the flame sensor detects gas burner flame and signals the DSI module to keep the gas valve open as long as there is a call for heat. The DSI module will “LOCK OUT” if the gas burner flame is not sensed at the end of the trial for ignition period. The trial for ignition period will be repeated for a total of three (3) retries/trials (the initial try and two [2] more retries/trials). If the flame is not sensed at the end of the third retry/trial (inter-purge period of 30-seconds), the DSI module will “LOCK OUT” (a red L.E.D. diagnostic indicator will flash).

An unlit red L.E.D. diagnostic indicator indicates normal operation.

A lit green L.E.D. diagnostic indicator indicates dryer controller is calling for heat and that **ALL** interlocks have been satisfied.



SECTION IX

MANUAL RESET BURNER HI-LIMIT INSTRUCTIONS

A. PHASE 7

This dryer was manufactured with a manual reset burner hi-limit thermostat, which is monitored by the Phase 7 computer. If the burner hi-limit is open prior to the start of the drying cycle, the dryer will start momentarily and then shut down, the Phase 7 computer will display “BURNER HIGH LIMIT FAULT” with an audio indication.

If the burner hi-limit opens during a drying cycle, the Phase 7 computer will also display the same error code described above, along with an audio indication. If the drum temperature is above 100° F (38° C), the dryer will continue to run with no heat for 3 minutes or until the drum temperature has dropped below 100° F (38° C). The clear/stop button on the Phase 7 keyboard (touch pad) **must be** pressed to clear the error condition. The open burner hi-limit **must be** reset “manually” prior to the start of the next cycle.

B. DUAL TIMER

This dryer was manufactured with a manual reset burner hi-limit thermostat. If the burner hi-limit is open prior to the start of the drying cycle, or during the cycle, the dryer will not recognize the open state of the burner hi-limit and will start or continue through the drying cycle with no heat. Manual reset hi-limit **must be** reset manually.

This hi-temperature condition may be caused due to a restricted exhaust, poor airflow, or improper burner operation.

The location of the burner hi-limit is on the right side of the burner box, looking at the burner from the back of the dryer.

WARNING: Discontinue power to dryer before attempting to reset hi-limit.

IMPORTANT IMPORTANT IMPORTANTE

HEATING UNIT IS EQUIPPED WITH A HI-LIMIT THERMOSTAT WHICH *MUST BE RESET MANUALLY.*

WARNING - DISCONTINUE POWER TO DRYER BEFORE ATTEMPTING TO RESET HI-LIMIT.

L'ÉLÉMENT CHAUFFANT EST ÉQUIPÉ D'UN THERMOSTAT À LIMITE MAXIMALE QUI *DOIT ÊTRE RÉGLÉ MANUELLEMENT.*

MISE EN GARDE - COUPER LE COURANT D' ALIMENTATION DU SÈCHE-LINGE AVANT DE RÉGLER LA LIMITE MAXIMALE.

LA UNIDAD DE CALENTAMIENTO ESTÁ EQUIPADA CON UN THERMOSTATO DE LÍMITE SUPERIOR *QUE DEBE REINICIARSE MANUALMENTE.*

ADVERTENCIA - DESCONECTE LA ALIMENTACIÓN ELÉCTRICA A LA SECADORA ANTES DE REINICIAR EL LÍMITE SUPERIOR.

ADC P/N: 114076

