

INSTRUCTIONS-PARTS LIST



308-532

Rev A

This manual contains **IMPORTANT**
WARNINGS and **INSTRUCTIONS READ**
AND RETAIN FOR REFERENCE

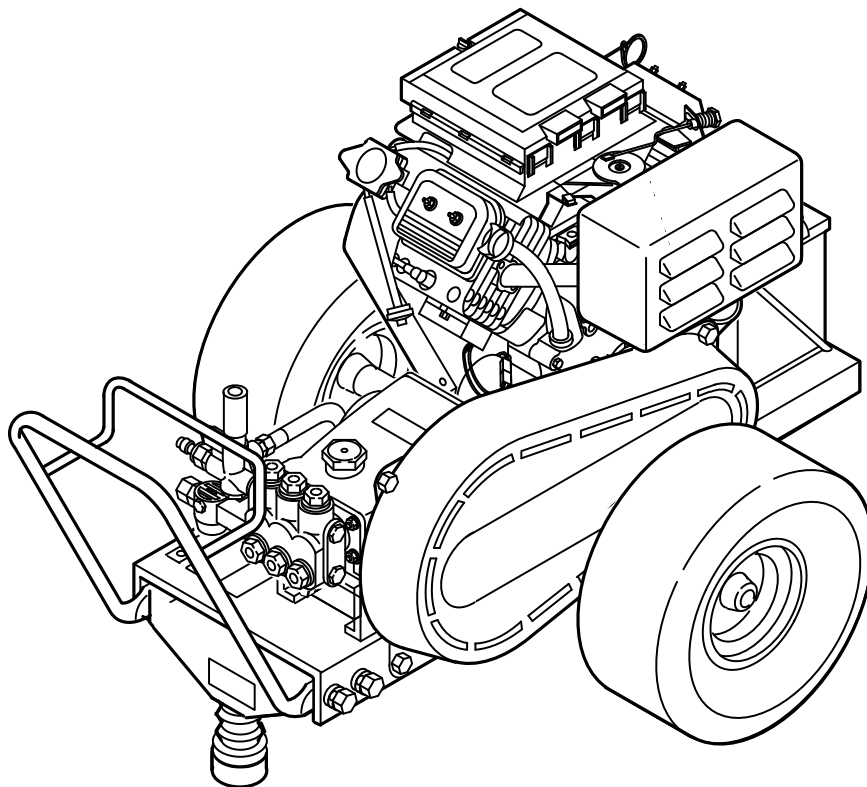
HYDRA-CLEAN® 3540, 4043 Pressure Washers

HYDRA-CLEAN® 3540, 12.5 HP ENGINE
P/N 800-706, Series A

3500 psi (241 bar) OPERATING PRESSURE
3900 psi (269 bar) MAXIMUM WORKING PRESSURE

HYDRA-CLEAN® 4043, 16 HP ENGINE
P/N 800-707, Series A

4000 psi (276 bar) OPERATING PRESSURE
4300 psi (296 bar) MAXIMUM WORKING PRESSURE



GRACO INC. P.O. Box 1441 MINNEAPOLIS, MN 55440-1441

©COPYRIGHT 1991, GRACO INC.

WARNING

**HIGH PRESSURE SPRAY CAN CAUSE SERIOUS INJURY.
FOR PROFESSIONAL USE ONLY. OBSERVE ALL WARNINGS.**

Read and understand all instruction manuals before operating equipment.

FLUID INJECTION HAZARD

General Safety

This pressure washer generates very high fluid pressure. Spray from the gun, leaks or ruptured components can inject fluid through your skin and into your body and cause extremely serious bodily injury including the need for amputation. Also, fluid injected or splashed into the eyes or on the skin can cause serious damage.

NEVER point the spray gun or wand at anyone or at any part of the body. *NEVER* put hand or fingers over the spray tip.

ALWAYS follow the **Pressure Relief Procedure**, before cleaning or servicing any part of the sprayer.

NEVER try to stop or deflect leaks with your hand or body.

Be sure equipment safety devices are operating properly before each use.

Medical Treatment

If any fluid appears to penetrate your skin, get **EMERGENCY MEDICAL TREATMENT AT ONCE. DO NOT TREAT AS A SIMPLE CUT**. Tell the doctor exactly what fluid was injected.

NOTE TO PHYSICIAN: *Injection in the skin is a traumatic injury. It is important to treat the injury surgically as soon as possible. Do not delay treatment to research toxicity. Toxicity is a concern with some exotic coatings injected directly into the bloodstream. Consultation with a plastic surgeon or reconstructive hand surgeon may be advisable.*

Pressure Relief Procedure

To reduce the risk of serious bodily injury, including fluid injection and splashing in the eyes or on the skin, always follow this procedure whenever you stop spraying for more than 10 minutes, when shutting down, and before checking or repairing any part of the system.

1. Engage the trigger safety latch.
2. Turn the sprayer off.
3. Remove the ignition cable from the spark plug.
4. Shut off the water supply.
5. Disengage the trigger safety latch and trigger the gun to relieve pressure, and then engage the trigger safety latch again.
6. Before long-term (overnight) storage or transporting of the unit, disconnect the water supply and disconnect the fuel supply.

Spray Gun Safety Devices

Be sure all gun safety devices are operating properly before each use. Do not remove or modify any part of the gun; this can cause a malfunction and result in serious bodily injury.

SAFETY LATCH: Whenever you stop spraying for a moment, always set the gun safety latch in the engaged or “safe” position, making the gun inoperative. Failure to properly set the safety latch can result in accidental triggering of the gun.

SPRAY TIP SAFETY : Use extreme caution when cleaning or changing spray tips. If a spray tip clogs while spraying, engage the gun safety latch immediately. *ALWAYS* follow the **Pressure Relief Procedure** and then remove the spray tip to clean it.

FUEL AND EMISSION HAZARDS

NEVER fill the fuel tank while the unit is running or hot. The fuel used in this unit is combustible and when spilled on a hot surface can ignite and cause a fire. *ALWAYS* fill tank slowly to avoid spilling.

NEVER operate the unit in a closed building. The exhaust contains carbon monoxide, a poisonous, odorless, invisible gas which can cause serious injury or death if inhaled.

NEVER alter the maximum throttle setting, which is factory set. Tampering with this adjustment can damage the pressure washer and will void the warranty.

EQUIPMENT MISUSE HAZARD

General Safety

Any misuse of the pressure washer or accessories, such as overpressurizing, modifying parts, using incompatible chemicals and fluids, or using worn or damaged parts, can cause them to rupture and result in fluid injection, splashing in the eyes or on the skin, or other serious bodily injury, fire, explosion or property damage.

NEVER alter or modify any part of this equipment; doing so could cause it to malfunction.

CHECK all spray equipment regularly and repair or replace worn or damaged parts immediately.

ALWAYS wear protective eyewear and appropriate clothing. If using a chemical injector, read and follow the chemical manufacturer's literature for recommendations on additional protective equipment, such as a respirator.

System Pressure

This sprayer can develop high operating pressures. Be sure that all spray equipment and accessories are rated to withstand the maximum working pressure of this sprayer. *DO NOT* exceed the maximum working pressure of any component or accessory used in the system.

Chemical Compatibility

BE SURE that all chemicals used in the chemical injector are compatible with the wetted parts of the hose, gun, wand and tip, as given in the Technical Data (inside back cover). Always read the chemical manufacturer's literature before using any chemical in this pressure washer.

HOSE SAFETY

High pressure fluid in the hoses can be very dangerous. If the hose develops a leak, split or rupture due to any kind of wear, damage or misuse, the high pressure spray emitted from it can cause a fluid injection injury or other serious bodily injury or property damage.

ALL FLUID HOSES MUST HAVE STRAIN RELIEFS ON BOTH ENDS. The strain reliefs help protect the hose from kinks or bends at or close to the coupling, which can result in hose rupture.

TIGHTEN all fluid connections securely before each use. High pressure fluid can dislodge a loose coupling or allow high pressure spray to be emitted from the coupling.

NEVER use a damaged hose. Before each use, check entire hose for cuts, leaks, abrasion, bulging cover, or damage or movement of the hose couplings. If any of these conditions exist, replace the hose immediately. *DO NOT* try to recouple high pressure hose or mend it with tape or any other device. A repaired hose cannot contain the high pressure fluid.

HANDLE AND ROUTE HOSES CAREFULLY. Do not pull on hoses to move the pressure washer. Do not use chemicals which are not compatible with the inner tube and cover of the hose. *DO NOT* expose Graco hose to temperatures above 200 ° F (93 ° C) or below -40 ° F (-40 ° C).

MOVING PARTS HAZARD

Moving parts can pinch or amputate fingers or other body parts. *KEEP CLEAR* of moving parts when starting or operating the pressure washer.

NEVER operate the pressure washer without all guards and interlocks installed and functioning. Follow the

Pressure Relief Procedure before checking or servicing the pressure washer to prevent discharging high pressure fluid from the gun.

TERMS

WARNING: Alerts user to avoid or correct conditions that could cause bodily injury.

CAUTION: Alerts user to avoid or correct conditions that could cause damage to the equipment.

NOTE: Identifies helpful procedures and information.

IMPORTANT

United States Government safety standards have been adopted under the Occupational Safety and Health Act. These standards—particularly the General Standards, Part 1910, and the Construction Standards, Part 1926—should be consulted.

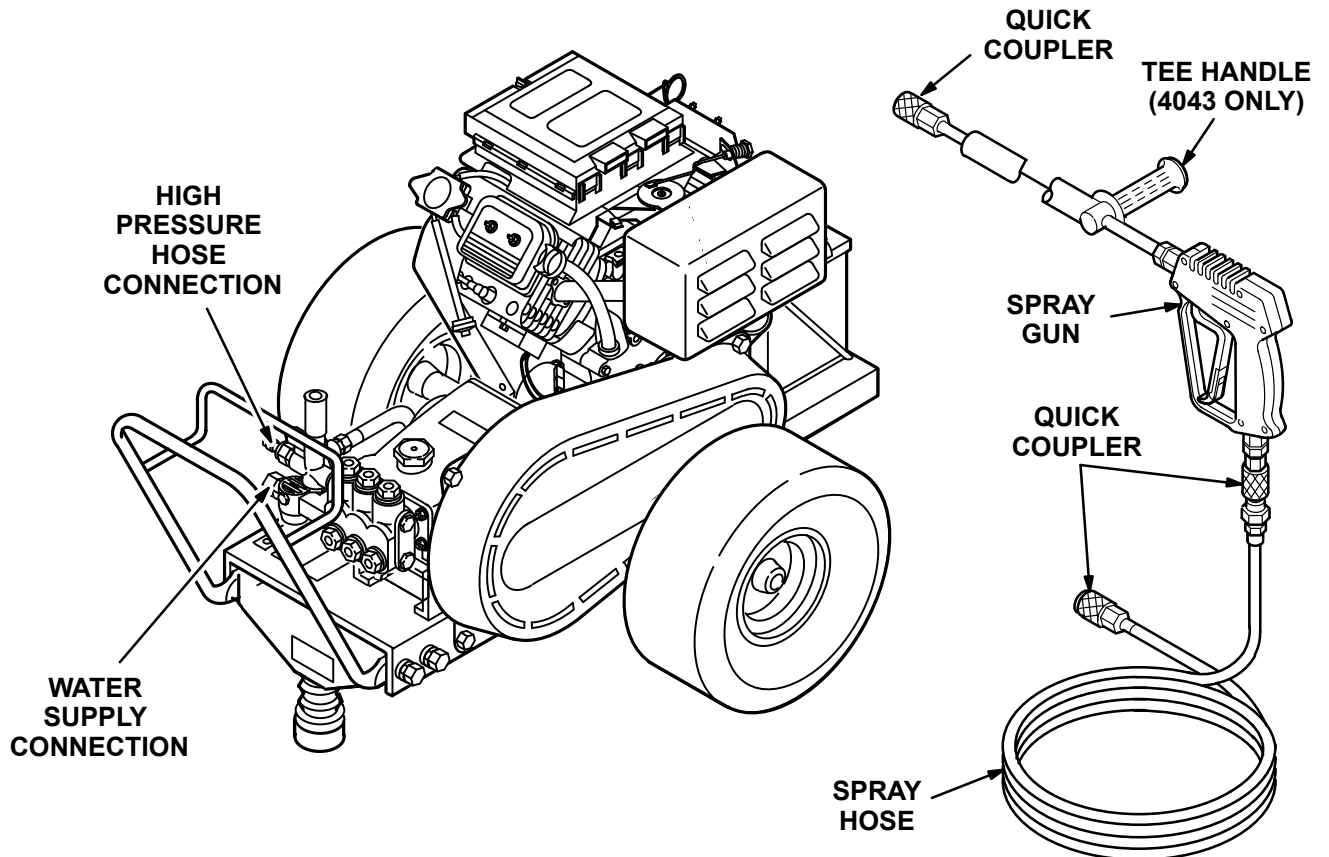


Figure 1

Check for Shipping Damage

Check the unit for any damage that may have occurred in shipping. **Notify the carrier immediately** if there is any damage.

Set Up

Fill the battery cells with electrolyte and water. Charge the battery. Be sure the battery connections are correct and secure. Connect the fuel line to the engine using the quick coupler provided. Squeeze the priming bulb 3 to 5 times. If you are using a downstream chemical injector, install it between the pump unloader and the high pressure hose, using the quick couplers provided.

Connect the high pressure hose between the pump outlet and the gun inlet. Both of these connections are made with quick couplers.

CAUTION

Up to 100 ft (30 m) of high pressure hose may be used. Longer hoses may affect sprayer performance, and chemical injector performance, if used.

Install the appropriate spray tip on the wand. See Installing and Changing Spray Tips. If you are using a sandblaster kit, see its separate manual for installation instructions.

Connect to Water Supply

CAUTION

Before attaching to the water supply, check your local plumbing code regarding cross-connection to the water supply. A backflow preventer, P/N 801-133, is available to prevent backflow of contaminated water into the fresh water supply. Install it upstream from the pump.

If inlet water pressure is over 60 psi (4.1 bar) a regulating water valve, P/N 800-258, must be installed at the garden hose connection.

Do not exceed 160 ° F (70 ° C) inlet water temperature.

Connect a hose with at least a 3/4 inch (19 mm) ID from the water supply to the unit's 3/4 inch garden hose inlet. The supply hose should not be more than 50 ft (15 m) long.

NOTE: The water source at the unit *must* have a minimum flow rate equal to that of the unit (see Technical Data, inside back cover).

STARTUP

Always use this startup procedure to ensure that the unit is started safely and properly.

1. Check oil levels.

Engine: Add SAE 30 or 10W–30 weight detergent oil as necessary.

Pump: Add SAE 20 or 30 weight non–detergent oil or genuine CAT® pump oil as necessary.

NOTE: This pressure washer is equipped with a low–oil sensor that shuts the engine off if the oil level falls below a certain level. If the unit stops unexpectedly, check both the oil and the fuel levels. Check the oil level each time the unit is refueled.

2. Check fuel level.

WARNING

DO NOT refuel a hot engine. Refueling a hot engine could cause a fire. Use only fresh, clean regular or unleaded gasoline. Close the fuel shutoff valve during refueling.

3. Turn on the water supply.

CAUTION

Never run the unit dry. Costly damage to the pump will result. Always be sure the water supply is completely turned on before operating.

4. Trigger the gun until water sprays from the tip indicating that the air is purged from the system.

5. Open the fuel shutoff valve. Be sure the spark plug ignition cables are pushed firmly onto the spark plugs. Put the ignition shutoff switch in the “on” position and the throttle in the “run” position.

6. Start the engine.

NOTE: For easier starting, have one person start the pressure washer while another person triggers the spray gun.

If the engine is cold, completely close the engine choke. Press the start button. In cool weather, the choke may have to be kept closed for 10 to 30 seconds before opening it to keep the engine running. Otherwise, open the choke as soon as the engine starts.

If the engine is warm, leave the choke open or partially closed. Start the engine as described in the preceding paragraph. When the engine starts, be sure to open the choke completely.

7. ALWAYS engage the gun’s trigger safety latch whenever you stop spraying, even for a moment, to reduce the risk of fluid injection or splashing in the eyes or on the skin if the gun is bumped or triggered accidentally.

8. ALWAYS observe the following CAUTIONS to avoid costly damage to the pressure washer.

CAUTION

DO NOT allow the pressure washer to idle for more than 10 minutes. Doing so may cause the recirculating water to overheat and seriously damage the pump. Turn off the pressure washer if it will not be spraying or cleaning at least every 10 minutes. If heated inlet water is used, reduce this time further.

DO NOT run the pump dry, which will quickly damage the pump. Be sure the water supply is fully turned on before starting the pump.

DO NOT operate the pressure washer with the inlet water screen removed. This screen helps keep abrasive sediment out of the pump, which could clog or scratch the pump. Keep this screen clean.

DO NOT pump caustic materials; such materials may corrode the pump components.

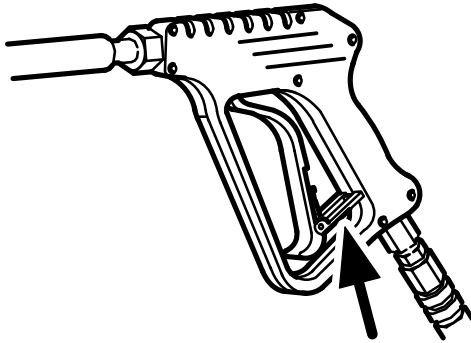
9. See the chemical injector or sandblaster kit manual for detailed cleaning information if these accessories are used.

Trigger Safety Latch

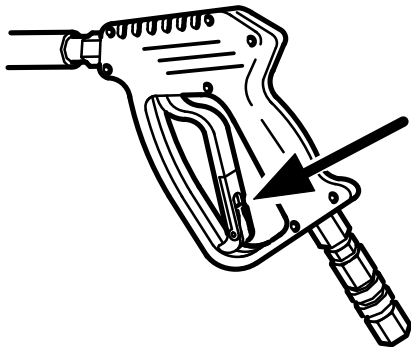
WARNING

To reduce the risk of serious bodily injury, including fluid injection, splashing in the eyes or on the skin, **ALWAYS** engage the trigger safety latch whenever spraying stops, even for a moment.

In the engaged position, the trigger safety latch prevents the gun from being triggered accidentally by hand or if it is dropped or bumped. Be sure the latch is pushed fully down when engaging it or it cannot prevent the gun from being triggered. See Figure 2.



TRIGGER SAFETY LATCH SHOWN ENGAGED



TRIGGER SAFETY LATCH SHOWN
DISENGAGED

Figure 2

Installing and Changing Spray Tips

WARNING

To reduce the risk of serious bodily injury, including fluid injection or splashing in the eyes or onto the skin, use extreme caution when changing spray tips. **ALWAYS** follow the procedure below.

1. Follow the **Pressure Relief Procedure**.
2. Point the gun and wand away from yourself and anyone else.
3. Without holding your hand over the spray tip (A), pull back the quick coupler ring (B). Remove the old tip and/or install a new one, and then release the ring. See Figure 3.
4. Be sure the tip is secure before starting to spray again.
5. Tip holding holes are provided on the chassis.

CAUTION

To avoid blowing the o-ring out of the quick coupler, due to the high pressure in the system, never operate the pressure washer without a tip securely mounted in the quick coupler.

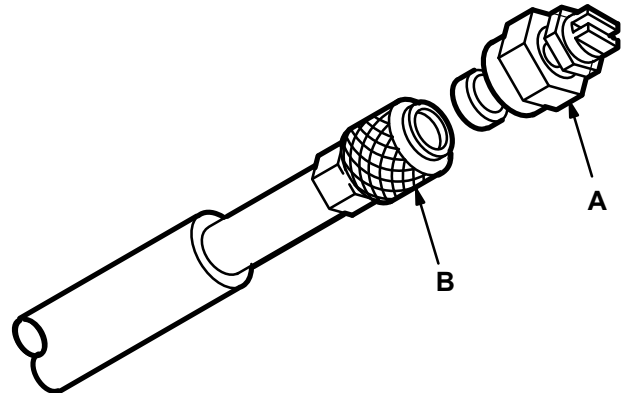


Figure 3

SHUTDOWN, FLUSHING AND STORAGE

WARNING

Pressure Relief Procedure

To reduce the risk of serious bodily injury, including fluid injection and splashing in the eyes, or on the skin, always follow this procedure whenever you stop spraying for more than 10 minutes, when shutting down, and before checking or repairing any part of the system.

1. Engage the trigger safety latch.
 2. Turn the sprayer off.
 3. Remove the ignition cables from the spark plugs.
 4. Shut off the water supply.
 5. Disengage the trigger safety latch and trigger the gun to relieve pressure, and then engage the trigger safety latch again.
 6. Before long-term (overnight) storage or transporting of the unit, disconnect the water supply, and disconnect the fuel supply.
1. If the pressure washer will be exposed to freezing temperatures, drain all water out of the pump. If it must be stored in freezing temperatures, flush the unit with a 50% anti-freeze solution. Relieve pressure. Flush the pressure washer before using it again to remove the anti-freeze.

NOTE: An anti-freeze flush kit, P/N 802-327, is available to make flushing easier.

CAUTION

If water does freeze in the pressure washer, thaw it in a warm room before trying to start it. *DO NOT* pour hot water on or into the pump; it may crack the ceramic plungers!

2. After each use, wipe all surfaces of the pressure washer with a clean, damp cloth.
3. Perform the appropriate maintenance. See maintenance chart.

MAINTENANCE

Observing regular maintenance intervals helps ensure that you get maximum performance and life from the pressure washer.

There is a break-in period for the engine and pump. After changing the oil in these components following their respective break-in periods, the interval between required changes is longer.

If the unit is operating in dusty conditions, these maintenance checks should be made more often.

WARNING

To reduce the risk of serious bodily injury, including fluid injection, splashing in the eyes or on the skin or injury from moving parts, always follow the **Pressure Relief Procedure Warning** before proceeding.

Interval	What to do
Daily	Clean water inlet screen and filter. Check engine and pump oil levels. Fill as necessary. Check gasoline level. Fill as necessary.
After first 5 hours of operation	Change engine break-in oil. Drain oil when warm. Use SAE 30 or 10W-30 detergent oil.
Each 25 hours of operation	Clean and remove air cleaner foam. Wash with water and detergent. Dry thoroughly. Rub with oil and squeeze to distribute oil.
After first 50 hours of operation	Change pump break-in oil. Use SAE 20 or 30 non-detergent oil or genuine CAT® pump oil.
Each 100 hours of operation or 3 months	Clean or replace paper air cleaner cartridge. Tap gently to remove dirt. Change engine oil. Use SAE 30 or 10W-30 detergent oil.
Each 500 hours of operation or 6 months	Change pump oil. Use SAE 20 or 30 non-detergent oil or genuine CAT® pump oil.

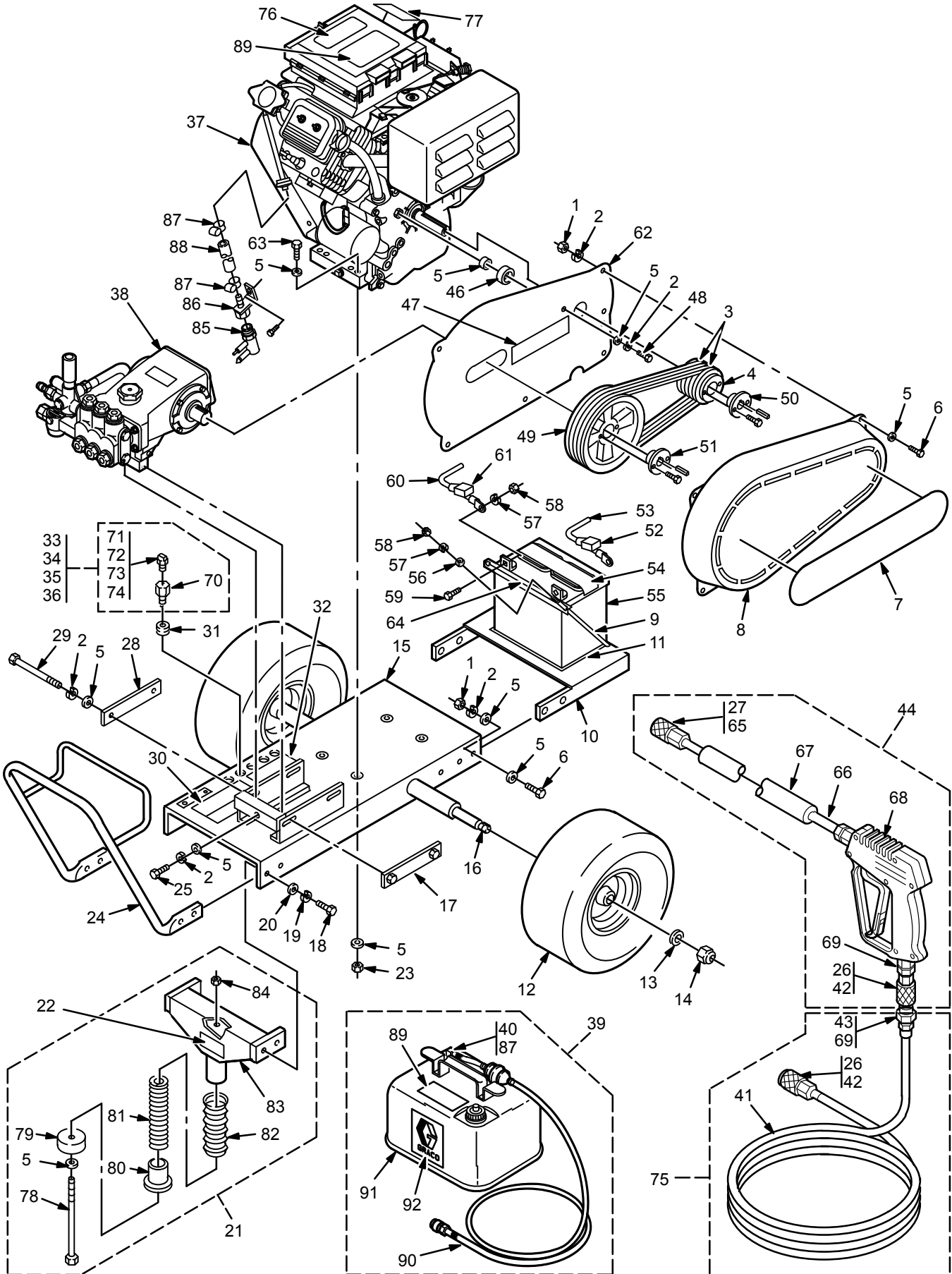
TROUBLESHOOTING CHART

WARNING

To reduce the risk of serious bodily injury, including fluid injection, splashing in the eyes or on the skin or injury from moving parts, always follow the **Pressure Relief Procedure Warning** before proceeding.

Problem	Cause	Solution
Engine will not start or is hard to start	No gasoline in fuel tank or carburetor. Low oil level. Start/Stop switch in Stop position. Water in gasoline or old fuel. Loose or wrong battery connection. Battery not properly charged. Choked improperly. Flooded engine. Dirty air cleaner filter. Spark plug dirty, wrong gap or wrong type. Spray gun closed.	Fill the tank with gasoline, open fuel shut off valve. Check fuel line and carburetor. Add to proper level. Move switch to start position. Drain fuel tank and carburetor. Use new fuel and dry spark plug. Check and tighten battery connections. Check electrolyte level of cells, recharge battery. Open choke and crank engine several times to clear out gas. Remove and clean. Clean, adjust the gap or replace. Trigger spray gun.
Engine misses or lacks power	Partially plugged air cleaner filter. Spark plug dirty, wrong gap or wrong type. Incorrect ignition timing.	Remove and clean. Clean, adjust the gap or replace. Time engine.
Low pressure and/or pump runs rough	Worn or wrong size tip. Inlet filter clogged. Worn packings, abrasives in water or natural wear. Inadequate water supply. Belt slippage. Fouled or dirty inlet or discharge valves. Even a small particle can cause the valve to stick. Restricted inlet. Worn inlet or discharge valves. Leaking high pressure hose.	Replace with tip of proper size. Clean. Check more frequently. Check filter. Replace packings. See PUMP SERVICE. Check water flow rate to pump. Tighten or replace; use correct belts and replace both at same time. Clean inlet and discharge valve assemblies. Check filter. Check garden hose, may be collapsed or kinked. Replace worn valves. Replace high pressure hose.
Water leakage from under pump manifold	Worn packings.	Install new packings. See PUMP SERVICE.
Water in pump	Humid air condensing inside crankcase. Worn packings. Oil seals leaking.	Change oil as specified in MAINTENANCE. Install new packings. See PUMP SERVICE. Install new oil seals. See PUMP SERVICE.
Frequent or premature failure of the packings	Scored, damaged or worn plungers. Abrasive material in the fluid being pumped. Inlet water temperature too high. Overpressurizing pump. Excessive pressure due to partially plugged or damaged tip. Pump running too long without spraying. Running pump dry.	Install new plungers. See PUMP SERVICE. Install proper filtration on pump inlet plumbing. Check water temperature; may not exceed 160°F. Do not modify any factory-set adjustments. See EQUIPMENT MISUSE HAZARD. Clean or replace tip. See Installing and Changing Spray Tips. Never run pump more than 10 minutes without spraying. Do not run pump without water.
Strong surging at the inlet and low pressure on the discharge side	Foreign particles in the inlet or discharge valve or worn inlet and/or discharge valves.	Clean or replace valves. See PUMP SERVICE.

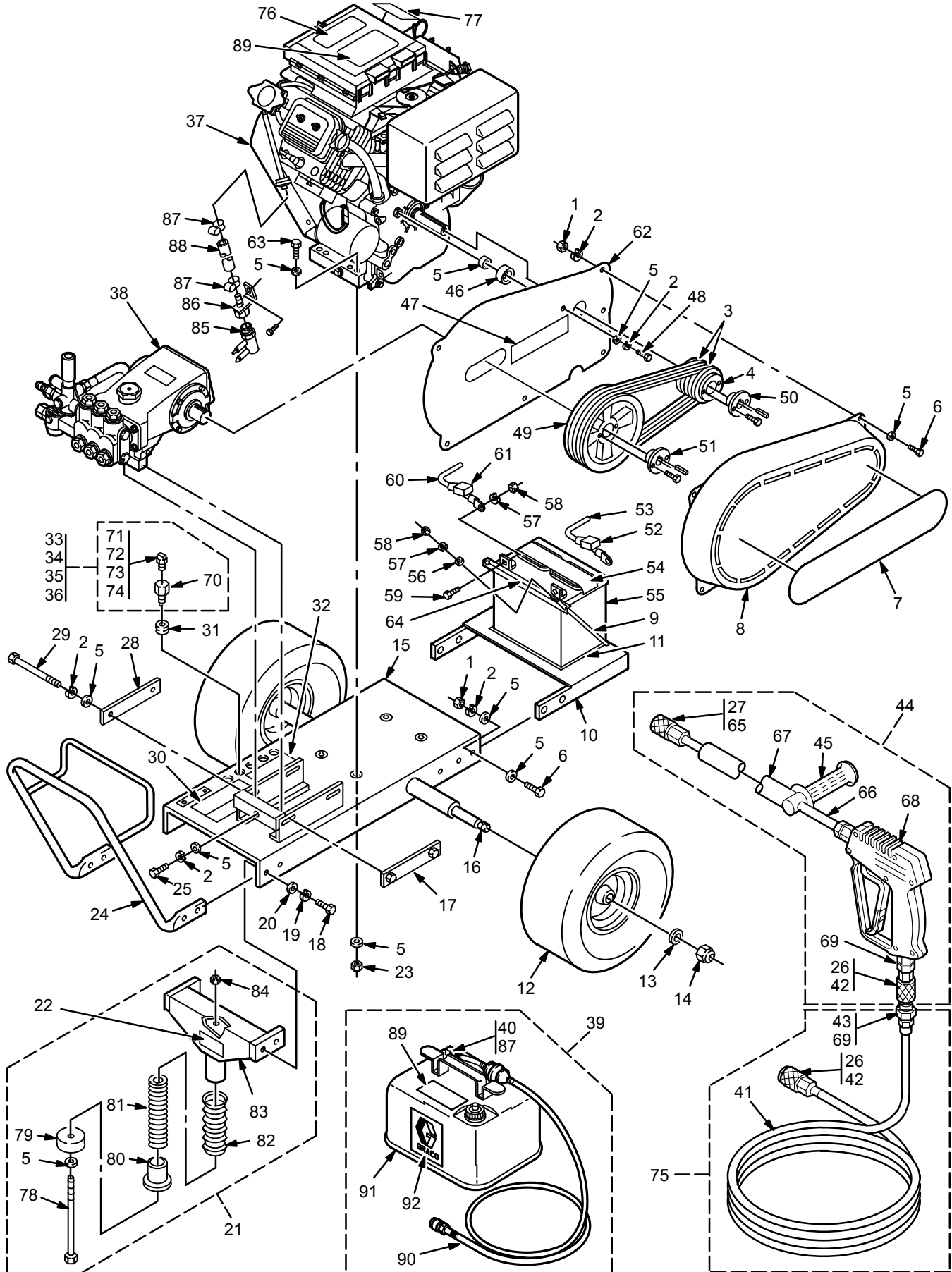
PARTS DRAWING
800-706 Hydra-Clean® 3540 Pressure Washer



PARTS LIST
800-706 Hydra-Clean® 3540 Pressure Washer

REF NO.	PART NO.	DESCRIPTION	QTY	REF NO.	PART NO.	DESCRIPTION	QTY
1	100-188	NUT, Hex 5/16-18	11	46	801-217	BUMPER, Rubber	1
2	100-214	WASHER, Lock 5/16	13	47	177-144	LABEL, Belt Guard	1
3	801-285	BELT, Drive	2	48	803-535	SCREW, Cap, Hex hd	1
4	804-136	SHEAVE, Engine	1	49	803-796	SHEAVE, Pump	1
5	100-023	WASHER, Flat 5/16	27	50	801-898	HUB, Engine	1
6	801-941	SCREW, Cap, Hex hd 5/16-18 x 1	9	51	801-135	HUB, Pump	1
7	803-534	LABEL, Belt Guard	1	52	801-959	TERMINAL PROTECTOR, Black	1
8	803-926	BELT GUARD	1	53	801-945	CABLE, Battery 12" Long	1
9	803-525	BOLT, Battery	2	54	803-077	LABEL, BATTERY	1
10	804-282	BRACKET, Battery	1	55	801-954	BATTERY, 12 Volt, 30 Amp	1
11	801-972	PAD, Battery	1	56	100-527	WASHER, Flat 1/4	2
12	801-550	WHEEL & TIRE ASSEMBLY	2	57	100-016	WASHER, Lock 1/4	4
13	801-612	WASHER, Flat 1/2	2	58	100-015	NUT, Hex 1/4-20	4
14	801-020	NUT, Lock 1/2-13	2	59	801-964	BOLT, Carriage 1/4-20 x 1	2
15	800-676	CHASSIS	1	60	801-946	CABLE, Battery 24" Long	1
16	801-556	AXLE	1	61	801-958	TERMINAL PROTECTOR, Red	1
17	800-678	BRACKET, Rail Stiffener	1	62	803-531	BASEPLATE, Belt Guard	1
18	801-546	SCREW, Cap, Hex hd 3/8-16 x 1-1/4	4	63	801-022	SCREW, Cap, Hex hd 5/16-18 x 3/4	4
19	100-133	WASHER, Lock 3/8	4	64	107-069	BRACKET, Battery	1
20	100-132	WASHER, Flat 3/8	4	65	801-009	QUICK COUPLER, Female 1/4 (incl. 27)	1
21	800-160	FRONT LEG ASSEMBLY (incl. 5, 78 through 84)	1	66	801-134	WAND, 32"	1
22	803-905	LABEL, Model 3540	1	67	801-674	SLEEVE, 28"	1
23	111-040	NUT, Lock 5/16-18	4	68	803-350	GUN, Spray (see Instruction Manual 308-511)	1
24	803-925	HANDLE	1	69	156-849	NIPPLE, Hex 3/8	1
25	803-298	SCREW, Cap, Hex hd 5/16-18 x 3-1/2	1	70	801-090	QUICK COUPLER, Male 1/4	4
26	156-082	O-RING, Quick Coupler 3/8	2	71	803-106	TIP, Spray 00045	1
27	154-594	O-RING, Quick Coupler 1/4	1	72	803-107	TIP, Spray 15045	1
28	802-016	BRACKET, Rail Stiffener	1	73	803-108	TIP, Spray 25045	1
29	801-522	SCREW, Cap, Hex hd	2	74	803-109	TIP, Spray 40045	1
30	176-250	LABEL, Chassis	1	75	800-375	HOSE ASSEMBLY W/QUICK COUPLERS (incl 41, 42, 43)	1
31	801-548	GROMMET, Rubber	5	76	802-363	LABEL, Caution	1
32	172-981	LABEL, Chassis	1	77	181-867	LABEL, Warning	1
33	800-314	TIP ASS'Y, 00045 (incl. 70, 71)	1	78	801-531	SCREW, Cap, Hex hd 3/8-16 x 7	1
34	800-315	TIP ASS'Y, 15045 (incl. 70, 72)	1	79	801-504	BUMPER, Rubber	1
35	800-316	TIP ASS'Y, 25045 (incl. 70, 73)	1	80	801-505	RETAINER, Spring	1
36	800-317	TIP ASS'Y, 40045 (incl. 70, 74)	1	81	801-593	SPRING	1
37	803-883	ENGINE, 12.5 HP, Briggs & Stratton Vanguard OHV	1	82	801-506	BOOT	1
38		PUMP ASS'Y (see page 14)	1	83	801-537	LEG, Front	1
39	800-652	FUEL TANK ASSEMBLY (incl 40, 87, 89, 90, 91, 92)	1	84	801-499	NUT, Lock 3/8-16	1
40	802-026	BARB, Hose 1/4	1	85	802-907	CONNECTOR, Fuel	1
41	801-571	HOSE, High Pressure 3/8 x 50'	1	86	801-919	BRACKET, Fuel Connector	1
42	801-569	QUICK COUPLER, Female 3/8 (incl. 26)	2	87	801-971	CLAMP, Hose	3
43	801-568	QUICK COUPLER, Male 3/8	2	88	801-629	LINE, Fuel	1
44	800-392	GUN & WAND ASSEMBLY (incl. 42, 65, 66, 67, 68, 69)	1	89	801-716	LABEL, Warning	2
				90	803-881	LINE, Fuel w/Squeeze Bulb	1
				91	802-025	TANK, Fuel	1
				92	801-008	LABEL, Graco G	1

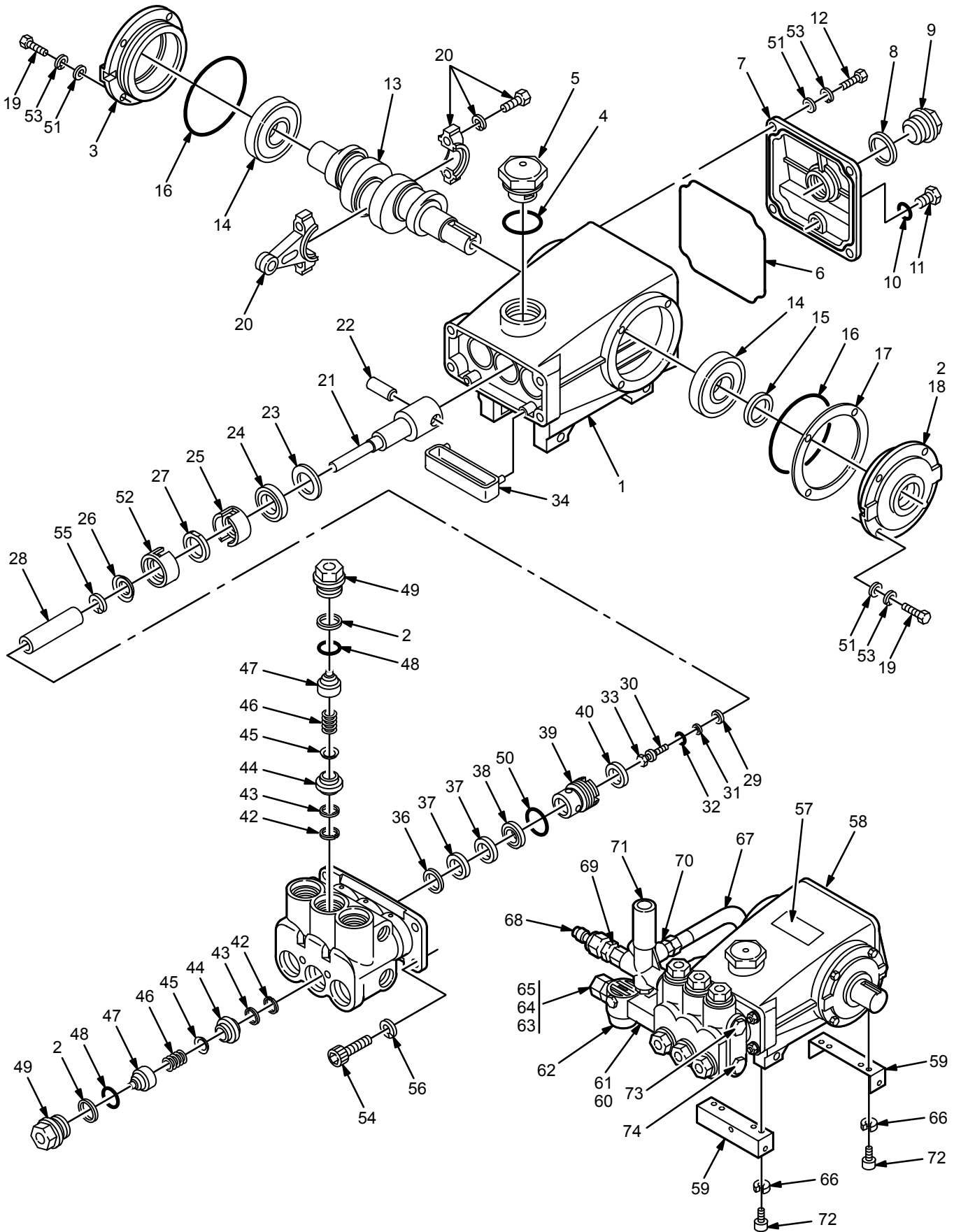
PARTS DRAWING
800-707 Hydra-Clean® 4043 Pressure Washer



PARTS LIST
800-707 Hydra-Clean® 4043 Pressure Washer

REF NO.	PART NO.	DESCRIPTION	QTY	REF NO.	PART NO.	DESCRIPTION	QTY
1	100-188	NUT, Hex 5/16-18	11	46	801-217	BUMPER, Rubber	1
2	100-214	WASHER, Lock 5/16	13	47	177-144	LABEL, Belt Guard	1
3	801-814	BELT, Drive	2	48	803-535	SCREW, Cap, Hex hd	1
4	803-160	SHEAVE, Engine	1	49	803-068	SHEAVE, Pump	1
5	100-023	WASHER, Flat 5/16	26	50	801-898	HUB, Engine	1
6	801-941	SCREW, Cap, Hex hd 5/16-18 x 1	9	51	804-141	HUB, Pump	1
7	803-534	LABEL, Belt Guard	1	52	801-959	TERMINAL PROTECTOR, Black	1
8	803-926	BELT GUARD	1	53	801-945	CABLE, Battery 12" Long	1
9	803-525	BOLT, Battery	2	54	803-077	LABEL, BATTERY	1
10	803-530	BRACKET, Battery	1	55	801-954	BATTERY, 12 Volt, 30 Amp	1
11	801-972	PAD, Battery	1	56	100-527	WASHER, Flat 1/4	2
12	801-550	WHEEL & TIRE ASSEMBLY	2	57	100-016	WASHER, Lock 1/4	4
13	801-612	WASHER, Flat 1/2	2	58	100-015	NUT, Hex 1/4-20	4
14	801-020	NUT, Lock 1/2-13	2	59	801-964	BOLT, Carriage 1/4-20 x 1	2
15	800-676	CHASSIS	1	60	801-946	CABLE, Battery 24" Long	1
16	801-556	AXLE	1	61	801-958	TERMINAL PROTECTOR, Red	1
17	800-678	BRACKET, Rail Stiffener	1	62	803-531	BASEPLATE, Belt Guard	1
18	801-546	SCREW, Cap, Hex hd 3/8-16 x 1-1/4	4	63	801-022	SCREW, Cap, Hex hd 5/16-18 x 3/4	4
19	100-133	WASHER, Lock 3/8	4	64	107-069	BRACKET Battery	1
20	100-132	WASHER, Flat 3/8	4	65	801-009	QUICK COUPLER, Female 1/4 (incl. 27)	1
21	800-160	FRONT LEG ASSEMBLY (incl. 5, 78 thru 84)	1	66	801-134	WAND, 32"	1
22	803-906	LABEL, Model 4043	1	67	801-674	SLEEVE, 28"	1
23	111-040	NUT, Lock 5/16-18	4	68	803-351	GUN, Spray (see Instruction Manual 308-511)	1
24	803-925	HANDLE	1	69	156-849	NIPPLE, Hex 3/8	1
25	803-298	SCREW, Cap, Hex hd 5/16-18 x 3-1/2	1	70	801-090	QUICK COUPLER, Male 1/4	4
26	156-082	O-RING, Quick Coupler 3/8	2	71	803-106	TIP, Spray 00045	1
27	154-594	O-RING, Quick Coupler 1/4	1	72	803-107	TIP, Spray 15045	1
28	802-016	BRACKET, Rail Stiffener	1	73	803-108	TIP, Spray 25045	1
29	801-522	SCREW, Cap, Hex hd	2	74	803-109	TIP, Spray 40045	1
30	176-250	LABEL, Chassis	1	75	800-450	HOSE ASSEMBLY W/QUICK COUPLERS (incl. 41, 42, 43)	1
31	801-548	GROMMET, Rubber	5	76	802-363	LABEL, Caution	1
32	172-981	LABEL, Chassis	1	77	181-867	LABEL, Warning	1
33	800-314	TIP ASS'Y, 00045 (incl. 70, 71)	1	78	801-531	SCREW, Cap, Hex hd 3/8-16 x 7	1
34	800-315	TIP ASS'Y, 15045 (incl. 70, 72)	1	79	801-504	BUMPER, Rubber	1
35	800-316	TIP ASS'Y, 25045 (incl. 70, 73)	1	80	801-505	RETAINER, Spring	1
36	800-317	TIP ASS'Y, 40045 (incl. 70, 74)	1	81	801-593	SPRING	1
37	803-884	ENGINE, 16 HP, Briggs & Stratton Vanguard OHV	1	82	801-506	BOOT	1
38		PUMP ASS'Y (see page 14)	1	83	801-537	LEG, Front	1
39	800-652	FUEL TANK ASSEMBLY (incl. 40, 87, 89, 90, 91, 92)	1	84	801-499	NUT, Lock 3/8-16	1
40	801-733	BARB, Hose 1/4	1	85	802-907	CONNECTOR, Fuel	1
41	803-519	HOSE, High Pressure 3/8 x 50'	1	86	801-919	BRACKET, Fuel Connector	1
42	803-157	QUICK COUPLER, Female 3/8 (incl. 26)	2	87	801-971	CLAMP, Hose	3
43	801-568	QUICK COUPLER, Male 3/8	2	88	801-629	LINE, Fuel	1
44	800-429	GUN & WAND ASSEMBLY (incl. 42, 45, 65 thru 69)	1	89	801-716	LABEL, Warning	2
45	802-851	HANDLE, Tee	1	90	803-881	LINE, Fuel w/Squeeze Bulb	1
				91	802-025	TANK, Fuel	1
				92	801-008	LABEL, Graco G	1

PARTS DRAWING
Pump Assembly



PARTS LIST
Pump Assembly

REF NO.	PART NO.	DESCRIPTION	QTY	REF NO.	PART NO.	DESCRIPTION	QTY
1	804-175	CRANKCASE	1				
2	804-132	RING, Backup, valve cap	1	42	KIT C4	RING, Back Up	
3	804-196	COVER, Crankshaft	1	43	KIT C4	O-RING, Valve Seat	
4	801-028	O-RING, Oil Fill Cap	1	44	KIT C4	SEAT, Valve	
5	801-027	CAP, Oil Fill	1	45	KIT C4	VALVE	
6	804-190	O-RING, Crankcase Cover	1	46	KIT C4	SPRING, Valve	
7	804-158	COVER, Crankcase	1	47	KIT C4	RETAINER, Valve Spring	
8	804-171	GASKET, Sight Gauge	1	48	KIT C4	O-RING, Valve Cap	
9	804-150	GAUGE, Sight, oil level	1	49	804-140	CAP, Valve	6
10	802-189	O-RING, Drain Plug	1	50	KIT C22	O-RING, Seal Case	
11	804-089	PLUG, Drain	1	51	804-075	WASHER, Flat, 6mm	12
12	804-238	SCREW, Cap, hex hd./cross recess 6mm x 20mm	4	52	KIT C22	RETAINER, Seal, front	
13	804-195	CRANKSHAFT	1	53	804-077	WASHER, Lock, 6mm	12
14	804-108	BEARING	2	54	804-233	SCREW, Cap, socket hd. , 10mm x 25mm	4
15	804-109	SEAL, Oil, crankshaft	1	55	804-214	WASHER, SST, 18mm	3
16	804-074	O-RING, Crankshaft Cover	2	56	802-178	WASHER, Lock, 10mm	4
17	804-114	SHIM	1	57	803-083	LABEL, Keep from freezing	1
18	804-131	SEAL, Oil, crankshaft	1	58	804-247	PUMP	1
19	804-237	SCREW, Cap, hex hd./cross recess 6mm x 16mm	8	59	800-692	BRACKET, Pump	2
20	804-110	ROD, Connecting	3	60	801-523	NIPPLE, 1/2 x 2	1
21	804-160	ROD, Plunger	3	61	801-106	TEE, 1/2	1
22	804-111	PIN, Rod	3	62	800-113	FILTER (see instruction manual 801-744)	1
23	801-030	WASHER, Flat	3	63	801-111	NUT, Garden Hose	1
24	801-031	SEAL, Oil, connecting rod	3	64	801-110	ADAPTER, Garden Hose	1
25	KIT C22	RETAINER, Seal, rear		65	801-112	STRAINER, Garden Hose	1
26	804-121	WASHER, Flinger	3	66	100-214	WASHER, Lock 5/16	4
27	804-161	WICK, Oil	3	67	803-141	HOSE ASSEMBLY, Bypass	1
28	801-036	PLUNGER, Ceramic	3	68	801-568	QUICK COUPLER, Male, 3/8	1
29	804-133	WASHER, Copper	3	69	159-239	NIPPLE, Hex, 3/8 x 1/2	2
30	804-235	STUD, 6mm x 58mm	3	70	802-534	NIPPLE, Hex, 1/2 NPT x 1/2 NPSM	1
31	801-038	RING, Backup	3	71	800-689	UNLOADER, 3500 PSI	1
32	801-039	O-RING, Retaining, plunger	3		800-427	UNLOADER, 4000 PSI	1
33	801-040	RETAINER, Plunger	3	72	108-842	SCREW, Cap, Hex hd. 8mm x 16mm	4
34	802-753	PAN, Oil	1	73	101-754	PLUG, 3/8	1
35	804-199	MANIFOLD, Forged	1	74	100-361	PLUG, 1/2	1
36	KIT C22	ADAPTER, Front					
37	KIT C22	PACKING, High Pressure					
38	KIT C22	ADAPTER, Rear					
39	804-211	CASE, Seal	3				
40	KIT C22	PACKING, Low Pressure					

Kit No.	Repair Kit Part No.	Ref No.	Description	Qty.
C4	801-041 Valve	42	RING, Back Up	6
		43	O-RING, Valve Seat	6
		44	SEAT, Valve	6
		45	VALVE	6
		46	SPRING, Valve	6
		47	RETAINER, Valve Spring	6
		48	O-RING, Valve Cap	6

Kit No.	Repair Kit Part No.	Ref No.	Description	Qty.
C22	804-099 Packing & Retainer	25	RETAINER, Seal, rear	3
		36	ADAPTER, Front	3
		37	PACKING, High Pressure	6
		38	ADAPTER, Rear	3
		40	PACKING, Low Pressure	3
		50	O-RING, Seal Case	3
		52	RETAINER, Seal, front	3

PUMP SERVICE

Servicing the Valves

1. Remove the hex valve plug.
2. Examine the o-ring under the plug for cuts or distortion and replace if worn. Lubricate new o-ring before installing.
3. Grasp valve retainer by tab at the top with pliers and remove from valve chamber. V valve parts usually separate during removal.

Note: A special tool will be needed to remove the seat from the manifold. A reverse pliers or a standard vise grip and a 1/4" x 3" bolt to fit I.D. of seat inserted under the edge of the seat, will pry the valve seat out easily.

4. Examine all valve parts for wear and replace with preassembled valve assembly in service kit containing retainer, spring, valve, valve seat, o-ring, and back-up ring.
5. Grasp new valve assembly by tab at top with pliers, immerse in oil and push into valve chamber. Be certain valve assembly is square in valve chamber.
6. Apply Loctite 242 to valve plug, thread into manifold port and torque per chart.

Note: Corrosion Resistant models require the coil spring installed in the Valve Plug.

Servicing the Pumping Section

Disassembly:

1. Remove the four (4) hex nuts or two (2) bolts from the manifold (varies with model).
2. Rotate crankshaft by hand to start separation of manifold from crankcase. Support the underside of the manifold and tap lightly with a mallet to remove the manifold assembly.

CAUTION

Keep manifold properly aligned with ceramic plungers when removing to avoid damage to either plungers or seals.

3. Remove oil pan and slide out seal retainer with wicks.
4. Using a wrench, loosen the plunger retainer. Grasp ceramic plunger and push toward crankcase until plunger retainer pops out.
5. Remove plunger retainer with copper gasket, back-up Ring and o-ring.
6. Remove plunger from plunger rod.

Reassembly:

1. Carefully examine each ceramic plunger for scoring or cracks, replace if worn and slip onto plunger rod.

Note: Ceramic plunger can only be installed one direction (front to back). Do not force onto rod.

2. Examine plunger retainer and stud and replace if worn.

Note: Thread stud into plunger retainer.

3. Examine o-ring, back-up ring and gasket on plunger retainer and replace if worn or cut. Lubricate o-ring for ease of installation and to avoid damaging o-rings.

Note: First install gasket, then back-up ring and o-ring.

4. Thread plunger retainer and stud assembly into plunger rod. Exercise caution not to over torque.
5. Saturate new oil wick by soaking in oil, place in seal retainer and slip retainer over ceramic plunger.
6. Replace oil pan.
7. Turn shaft by hand to line up plungers so end plungers are parallel.
8. Carefully slip manifold onto plungers, keeping manifold level, and tap with mallet to bring manifold flush with crankcase.
9. Replace washers and nuts or bolts and torque per chart.

Servicing the Seals and V-Packings

Disassembly:

1. Remove the manifold as described.
2. With crankcase side of manifold facing up, unscrew the seal case from the manifold using a special key wrench.
3. Remove o-ring from seal case.
4. Remove snap ring and low pressure seal from the seal case. Seals are generally removed easily without any tools.
5. **High Pressure Seal Models:** The high pressure seal is generally easily removed from the manifold without any tools. If extremely worn a reverse pliers may be used.
6. **V-Packing Models:** The female adapter, two v-packings and male adapter are easily removed from manifold without tools. If extremely worn a reverse pliers may be used.

Reassembly:

V-Packing Models:

1. Lubricate high pressure packing area in manifold.
2. Insert male adapter with notches down and "v" side up.
3. Lubricate v-packings and install one-at-a-time with grooved side down.
4. Next install female adapter with grooved side down.
5. Examine seal case o-ring and replace if worn. Lubricate new o-ring before installing.
6. Thread seal case into manifold and tighten with key wrench.

High Pressure Seal Models:

1. Lubricate seal area in manifold.
2. Carefully square seal into position by hand with the metal grooved side up.
3. Examine seal case o-ring and replace if worn. Lubricate new o-ring before installing.
4. Next secure high pressure seal into position by threading seal case into manifold. Tighten seal case with key wrench.

Low Pressure Seal-All Models:

1. Examine seal for wear or broken spring and lace if necessary.
2. Install low pressure seal in seal case with garter spring down.
3. Reinstall snap ring. Be certain snap ring is a tight fit. Replace if it can be easily turned.
4. Replace manifold on pump as described and torque per chart.

Servicing Crankcase Section

1. While manifold, plungers and seal retainers are removed, examine crankcase seals for wear.
2. Check oil level and for evidence of water in oil.
3. Rotate crankshaft by hand to feel for smooth bearing movement.
4. Examine crankshaft oil seal externally for drying, cracking or leaking.
5. Consult factory or your local distributor if crankcase service is evidenced.

Torque Chart

Pump Part	Thread	Tool Size	Torque
Plunger Retainer	M5	11 mm hex	80 in. lbs.
Manifold	M8 x 1.25	13 mm hex	125 in. lbs.
	M10 x 1.25	17 mm hex	217 in. lbs.
	M10	17 mm hex	217 in. lbs.
Valve Covers	—	24 mm	75 ft. lbs.
	—	27 mm	75 ft. lbs.

ACCESSORIES

(Must be purchased separately)

DOWNSTREAM CHEMICAL INJECTOR KIT

800-117 (3540)

800-649 (3540 & 4043)

For injecting harsh cleaning chemicals downstream from the pump. 800-649 is stainless steel construction.

UPSTREAM CHEMICAL INJECTOR KIT

800-257

For injecting mild cleaning chemicals upstream into the pump.

BACKFLOW PREVENTOR 801-133

Prevent back-up of contaminated water into fresh supply. Install upstream of pump.

WATER SANDBLASTING KIT 800-120

For abrasive cleaning of stubborn dirt and paint.

Requires a spray tip which is not included in kit (3540 uses 803-107, 4043 uses 803-107).

ANTI-FREEZE FLUSH KIT 802-327

For flushing system with 50% anti-freeze solution prior to transporting or storing pressure washer in below freezing temperatures.

INLET PRESSURE REGULATOR 800-258

Regulates inlet water pressure to 60 psi (4 bar) maximum.

TECHNICAL DATA

	Model 800-706	Model 800-707
Engine (4 cycle, air-cooled)	12.5 HP Briggs & Stratton OHV	16 HP Briggs & Stratton OHV
Battery	12 Volt, 30 AMP 250 CCA	12 Volt, 30 AMP 250 CCA
Gasoline Tank Capacity	6 Gallon (23 Liter)	6 Gallon (23 Liter)
Water Pump Maximum Working Pressure	3500 psi (241 bar)	4000 psi (276 bar)
Water Pump Maximum Flow	4 gpm (15 lpm)	4.25 gpm (16 lpm)
Inlet Hose Connection	3/4" garden hose (f)	3/4" garden hose (f)
Weight	255 lbs (116 kg)	255 lbs (116 kg)
Dimensions Length Width Height	49" (1245 mm) 30" (762 mm) 26.5" (673 mm)	49" (1245 mm) 30" (762 mm) 26.5" (673 mm)
Maximum Inlet Water Temperature	160°F (70°C)	160°F (70°C)
Wetted Parts High Pressure Hose Bypass Hose Pressure Washer (including fittings)	Acrylonitrile and Buna-N cover and tube Synthetic yarn and EPDM Anodized aluminum, Aluminum or bronze alloys, Brass Copper, Nylon-PTFE® composite, Ceramic, Buna-N, Cotton phenolic, 303, 304, and 316 Stainless steel, Polyimide-12 thermoplastic, PTFE®, Carbon steel, Zinc with or without yellow chromate plate PTFE is a registered trademark of the DuPont Company.	

THE GRACO WARRANTY

WARRANTY AND DISCLAIMERS

Graco warrants all equipment manufactured by it and bearing its name to be free from defects in material and workmanship on the date of sale by an authorized Graco distributor to the original purchaser for use. As purchaser's sole remedy for breach of this warranty, Graco will, for a period of twenty four months from date of sale, repair or replace any part of the equipment proven defective. This warranty applies only when the equipment is installed, operated and maintained in accordance with Graco's written recommendations.

This warranty does not cover, and Graco shall not be liable for, any malfunction, damage or wear caused by faulty installation, misapplication, abrasion, corrosion, inadequate or improper maintenance, negligence, accident, tampering, or substitution of non-Graco component parts. Nor shall Graco be liable for malfunction, damage or wear caused by the incompatibility with Graco equipment of structures, accessories, equipment or materials not supplied by Graco, or the improper design, manufacture, installation, operation or maintenance of structures, accessories, equipment or materials not supplied by Graco.

This warranty is conditioned upon the prepaid return of the equipment claimed to be defective for examination by Graco to verify the claimed defect. If the claimed defect is verified, Graco will repair or replace free of charge any defective parts. The equipment will be returned to the original purchaser transportation prepaid. If inspection of the equipment does not disclose any defect in material or workmanship, repairs will be made at a reasonable charge, which charges may include the costs of parts, labor and transportation.

DISCLAIMERS AND LIMITATIONS

THE TERMS OF THIS WARRANTY CONSTITUTE THE PURCHASER'S SOLE AND EXCLUSIVE REMEDY AND ARE IN LIEU OF ANY OTHER WARRANTIES (EXPRESS OR IMPLIED), INCLUDING WARRANTY OF MERCHANTABILITY OR WARRANTY OF FITNESS FOR A PARTICULAR PURPOSE, AND OF ANY NON-CONTRACTUAL LIABILITIES, INCLUDING PRODUCT LIABILITIES, BASED ON NEGLIGENCE OR STRICT LIABILITY. EVERY FORM OF LIABILITY FOR DIRECT, SPECIAL OR CONSEQUENTIAL DAMAGES OR LOSS IS EXPRESSLY EXCLUDED AND DENIED. IN NO CASE SHALL GRACO'S LIABILITY EXCEED THE AMOUNT OF THE PURCHASE PRICE. ANY ACTION FOR BREACH OF WARRANTY MUST BE BROUGHT WITHIN THREE (3) YEARS OF THE DATE OF SALE.

EQUIPMENT NOT COVERED BY GRACO WARRANTY

GRACO MAKES NO WARRANTY, AND DISCLAIMS ALL IMPLIED WARRANTIES OF MERCHANTABILITY AND FITNESS FOR A PARTICULAR PURPOSE, WITH RESPECT TO ACCESSORIES, EQUIPMENT, MATERIALS OR COMPONENTS SOLD BUT NOT MANUFACTURED BY GRACO. These items sold, but not manufactured by Graco (such as electric motor, switches, hose, etc.) are subject to the warranty, if any, of their manufacturer. Graco will provide purchaser with reasonable assistance in making any claim for breach of these warranties.

IMPORTANT PHONE NUMBERS

TO PLACE AN ORDER, contact your Graco distributor, or call this number to identify the distributor closest to you: **1-800-328-0211 Toll Free**

FOR TECHNICAL ASSISTANCE, service repair information or assistance regarding the application of Graco equipment: **1-800-543-0339 Toll Free**

Factory Branches: Atlanta, Chicago, Dallas, Detroit, Los Angeles, West Caldwell (N.J.)
Subsidiary and Affiliate Companies: Canada; England; Switzerland; France; Germany; Hong Kong; Japan; Korea

GRACO INC. P.O. BOX 1441 MINNEAPOLIS, MN 55440-1441

PRINTED IN U.S.A. 308-532 3/91

Parts Change Notice

Some parts in Rev. A of manual 308-532 have changed but have not yet been changed in the instruction manual. Please note the changes below and mark them in your manual or keep this sheet with your manual.

Pressure washer 800-706 has been obsoleted and is no longer covered by this manual.

The following changes apply to the page 13 parts list for 800-707:

Assembly No.	Series Letter Change	Part That Changed	Ref No.	Part Description	Description of Change
Model 800-707	B	801-814	3	Drive belt	Replaced by 803-889
		803-160	4	Sheave, engine	Replaced by 803-943
		803-530	10	Battery bracket	Replaced by 804-282
		176-250	30	Label	Replaced by 804-500
		801-548	31	Rubber grommet	Replaced by 801-012
		172-981	32	Label	Deleted
		803-519	41	Hose, high pressure, 3/8" x 50'	Replaced by 804-427
		801-568	43	Quick coupler, male, 3/8"	Replaced by 804-498
		177-144	47	Label	Replaced by 804-495
		803-068	49	Sheave, pump	Replaced by 803-944
		804-141	51	Hub, pump	Replaced by 801-135
		800-450	75	Hose assembly with quick couplers	Replaced by 800-375
		181-867	77	Label	Replaced by 290-013
		800-314	33	Tip assembly, 00045	Replaced by 805-547
		800-315	34	Tip assembly, 15045	Replaced by 805-548
		800-316	35	Tip assembly, 25045	Replaced by 805-549
		800-317	36	Tip assembly, 40045	Replaced by 805-550
		803-106	71	Spray tip, 00045	Deleted
		803-107	72	Spray tip, 15045	Deleted
803-108	73	Spray tip, 25045	Deleted		



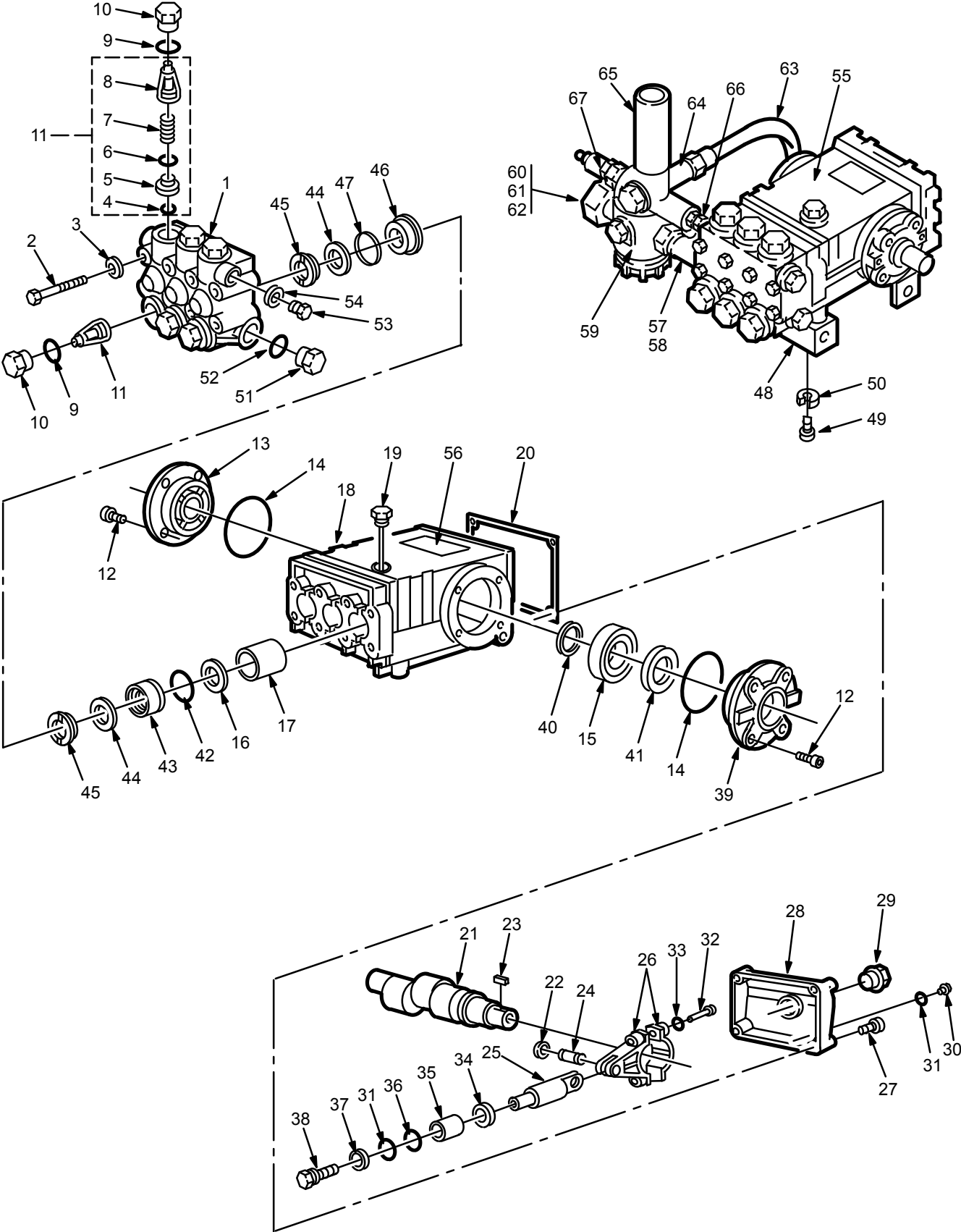
The following changes apply to the page 13 parts list for 800–707:

Assembly No.	Series Letter Change	Part That Changed	Ref No.	Part Description	Description of Change
Model 800–707		803–109	74	Spray tip, 40045	Deleted
		NEW	–	Chemical injector	Added 804–388
		NEW	–	Tube, chemical injector	Added 804–275
		NEW	–	Strainer, chemical injector	Added 801–683
		NEW	–	Tip, chemical injector	Added 805–634
		NEW	–	Adapter	Added 100–081

The following three pages replace pages 14 and 15 of manual 308–532:



Pump Assembly – Parts



Pump Assembly – Parts

USE ONLY GENUINE GRACO PARTS AND ACCESSORIES

Ref. No.	Part No.	Description	Qty	Ref. No.	Part No.	Description	Qty
1	801-467	MANIFOLD	1	37	KIT 6 or 107	WASHER	
	803-504	MANIFOLD, 3500 & 4000 psi	1	38	KIT 6 or 107	SCREW, Piston	
2	801-468	SCREW, Cap, hex hd	8	39	803-295	COVER, Crankcase	1
3	801-469	WASHER, lock	8		803-505	COVER, Crankcase, 3500 & 4000 psi	1
4	KIT 1	O-RING		40	803-296	SHIM	2
5	KIT 1	SEAT, Valve		41	KIT 3	SEAL, Oil	
6	KIT 1	PLATE, Valve		42	KIT 28 or 112	O-RING	
7	KIT 1	SPRING		43	KIT 28 or 112	RETAINER, Packing	
8	KIT 1	GUIDE, Valve		44	KIT 28 or 112	PACKING Kit 8 or 109	
9	KIT 4 or 106	O-RING		45	KIT 28 or 112	RING, Head	
10	KIT 4 or 106	CAP		46	KIT 28 or 112	RETAINER, Packing	
11	KIT 1	VALVE ASSEMBLY		47	KIT 28 or 112	RING, Long Life	
12	803-283	SCREW, Cap, socket hd	8	48	801-526	BRACKET, Pump	2
13	803-284	COVER, Crankcase.	1	49	802-305	SCREW, Cap, socket hd	2
	803-506	COVER, Crankcase, 3500 & 4000 psi	1	50	802-304	WASHER, Lock	2
14	802-500	O-RING, Crankcase Cover	2	51	801-482	PLUG, Hex	1
15	803-324	BEARING, Tapered Roller	2	52	801-483	WASHER, Flat	1
16	KIT 2	SEAL, Oil		53	801-484	PLUG, Hex	1
17	803-286	BUSHING, Piston	1	54	801-485	WASHER, Flat	1
18	802-895	CRANKCASE	1	55	801-624	PUMP, 3000 psi	1
	803-501	CRANKCASE, 3500 & 4000 psi	1		803-508	PUMP, 3500 & 4000 psi	1
19	801-475	DIPSTICK	1	56	803-083	LABEL, Keep From Freezing 3000 psi	1
20	803-144	GASKET, Cover	1		803-517	LABEL, Keep From Freezing 3500 & 4000 psi	1
21	803-287	CRANKSHAFT	1	57	802-085	NIPPLE 1/2	1
22	803-288	RING, Retaining	6	58	801-106	TEE 1/2	1
23	802-794	KEY	1	59	800-113	FILTER (see Instruction Manual 801-744)	1
24	803-289	PIN, Wrist	3	60	801-111	NUT, Garden Hose	1
25	803-325	GUIDE, Piston, 3000 psi	3	61	801-110	ADAPTER, Garden Hose	1
	803-503	GUIDE, Piston, 3500 & 4000 psi	3	62	801-112	STRAINER, Garden Hose	1
26	803-291	ROD, Connecting	3	63	803-141	HOSE, Bypass	1
27	803-292	SCREW, Cap, socket hd	5	64	803-142	NIPPLE, Hex 1/2 NPSM x 3/8 NPT 3000 psi	1
28	803-293	COVER, Crankcase	1		802-534	NIPPLE, Hex 1/2 NPSM x 1/2 NPT, 3500 & 4000 psi	1
	803-507	COVER, Crankcase, 3500 & 4000 psi	1	65	800-325	UNLOADER, 3000 psi	1
29	802-345	GAUGE, Sight	1		800-689	UNLOADER, 3500 psi	
30	802-793	PLUG, Oil Drain	1		800-427	UNLOADER, 4000 psi	1
31	KIT 6 or 107	O-RING		66	801-868	NIPPLE, Hex 3/8, 3000 psi	1
32	803-294	SCREW, Cap, socket hd	6		801-236	NIPPLE, Hex 1/2x3/8, 3500 & 4000 psi	2
33	8033-652	WASHER, Lock	6	67	801-568	COUPLER, Male 3/8	1
34	KIT 6 or 107	WASHER, Flinger	3				
35	801-490	PLUNGER, Ceramic	3				
	803-502	PLUNGER, Ceramic	3				
36	KIT 6 or 107	RING, Backup.					



Kit No.	Repair Kit Part No.	Ref No.	Description	Qty.
1	801-472 Valve	4	O-RING	6
		5	SEAT, Valve	6
		6	PLATE, Valve	6
		7	SPRING	6
		8	GUIDE, Valve	6
		11	VALVE ASSEMBLY	6
2	801-473 Oil Seal	16	SEAL, Oil	3
3	802-511 Crankshaft Seal	41	SEAL, Oil	2
4	802-306 Valve Cap, 3000 psi	9	O-RING	6
		10	CAP	6
6	801-474 Plunger Repair, 3000 psi	31	O-RING	1
		34	WASHER, Flinger	1
		36	RING, Backup	1
		37	WASHER	1
		38	SCREW, Piston	1
8	801-486 Packing, 3000 psi	44	PACKING	6

28	801-487 Packing & Retainer, 3000 psi	42	O-RING	1
		43	RETAINER, Packing	1
		44	PACKING	2
		45	RING, Head	1
		46	RETAINER, Packing	1
		47	RING, Long Life	1
106	803-509 Valve Cap, 3500 & 4000 psi	9	O-RING	6
		10	CAP	6
107	803-510 Plunger Repair, 3500 & 4000 psi	31	O-RING	1
		34	WASHER, Flinger	1
		36	RING, Backup	1
		37	WASHER	1
		38	SCREW, Piston	1
109	803-511 Packing, 4000 psi	44	PACKING	3
		47	RING, Long life	3
		-	PACKING	3
112	803-512 Packing & Retainer, 4000 psi	42	O-RING	1
		43	RETAINER, packing	1
		44	PACKING	1
		45	RING, head	2
		46	RETAINER, packing	1
		47	RING, Long life	1
		-	PACKING	1

