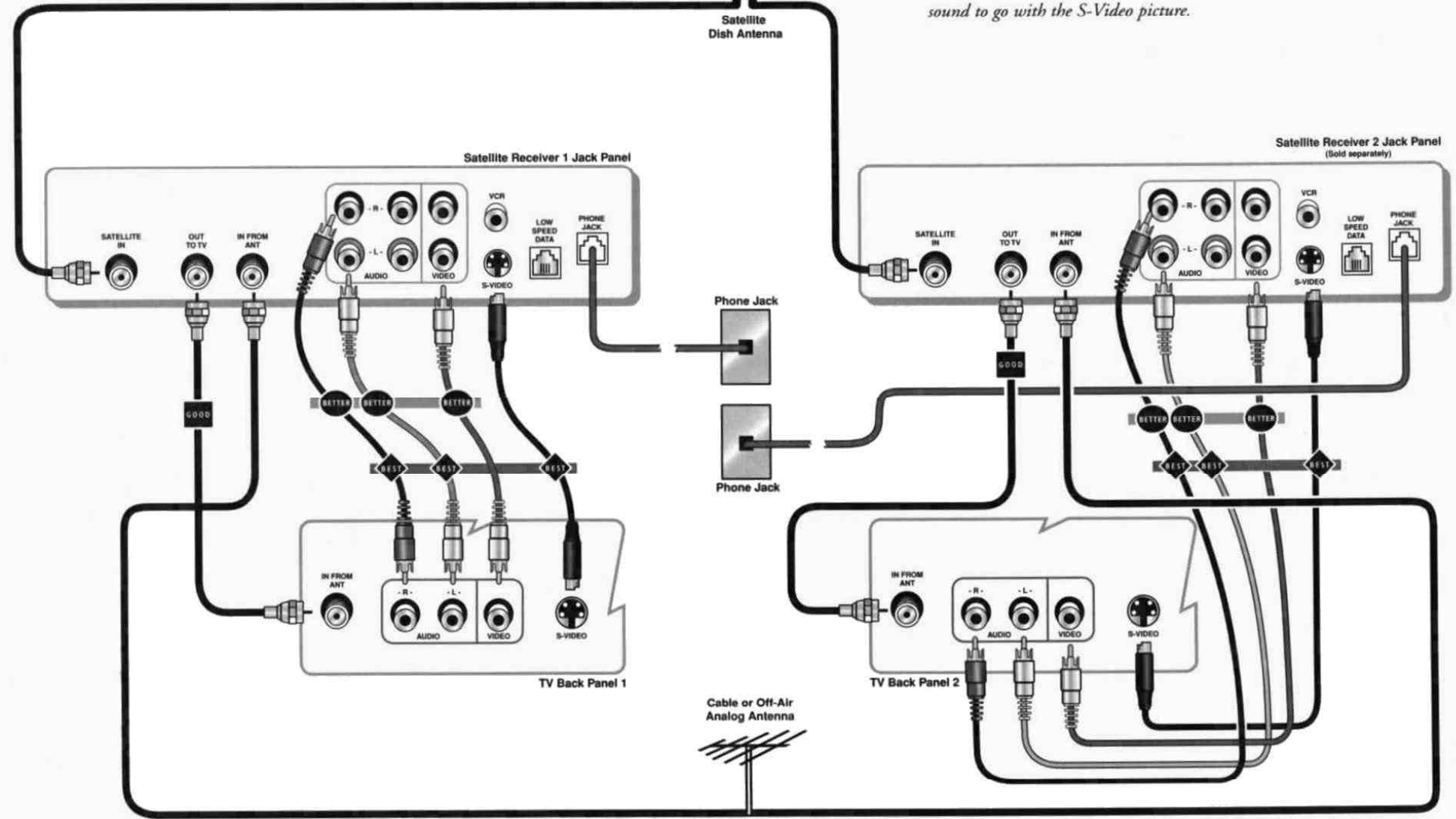




Satellite Dish Antenna

**Note:**

*The S-Video connection provides the best picture quality, and is recommended for use with TVs and other components equipped for S-Video. Remember to connect audio cables as well for the best sound to go with the S-Video picture.*



Satellite Receiver 1 Jack Panel

Satellite Receiver 2 Jack Panel  
(Bold separately)

TV Back Panel 1

TV Back Panel 2

Cable or Off-Air Analog Antenna