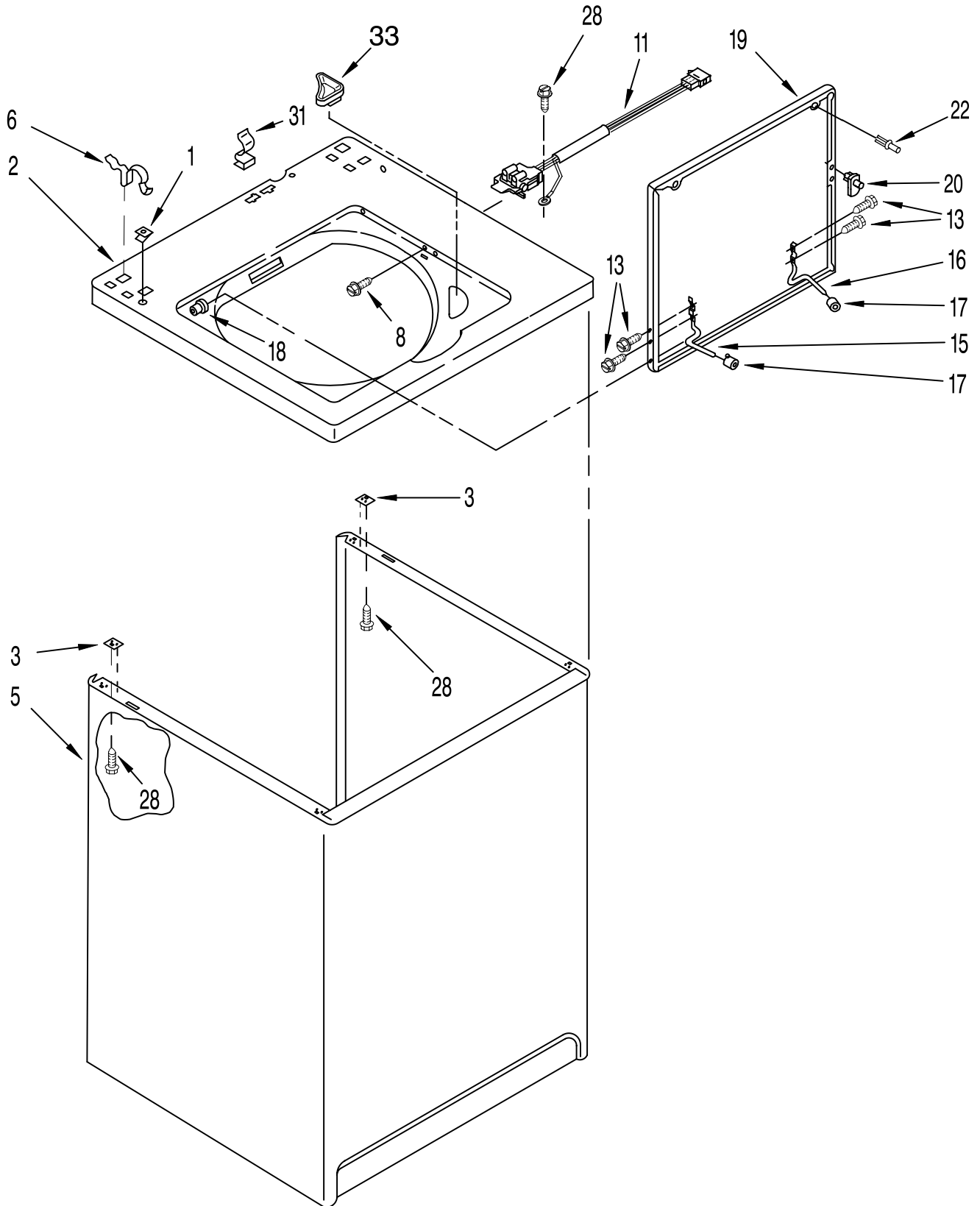


TOP AND CABINET PARTS

For Models: RAX7244EW1, RAX7244EQ1, RAX7244EN1
(White) (Designer White) (Almond)

AUTOMATIC
WASHER



FOR ORDERING INFORMATION REFER TO PARTS PRICE LIST

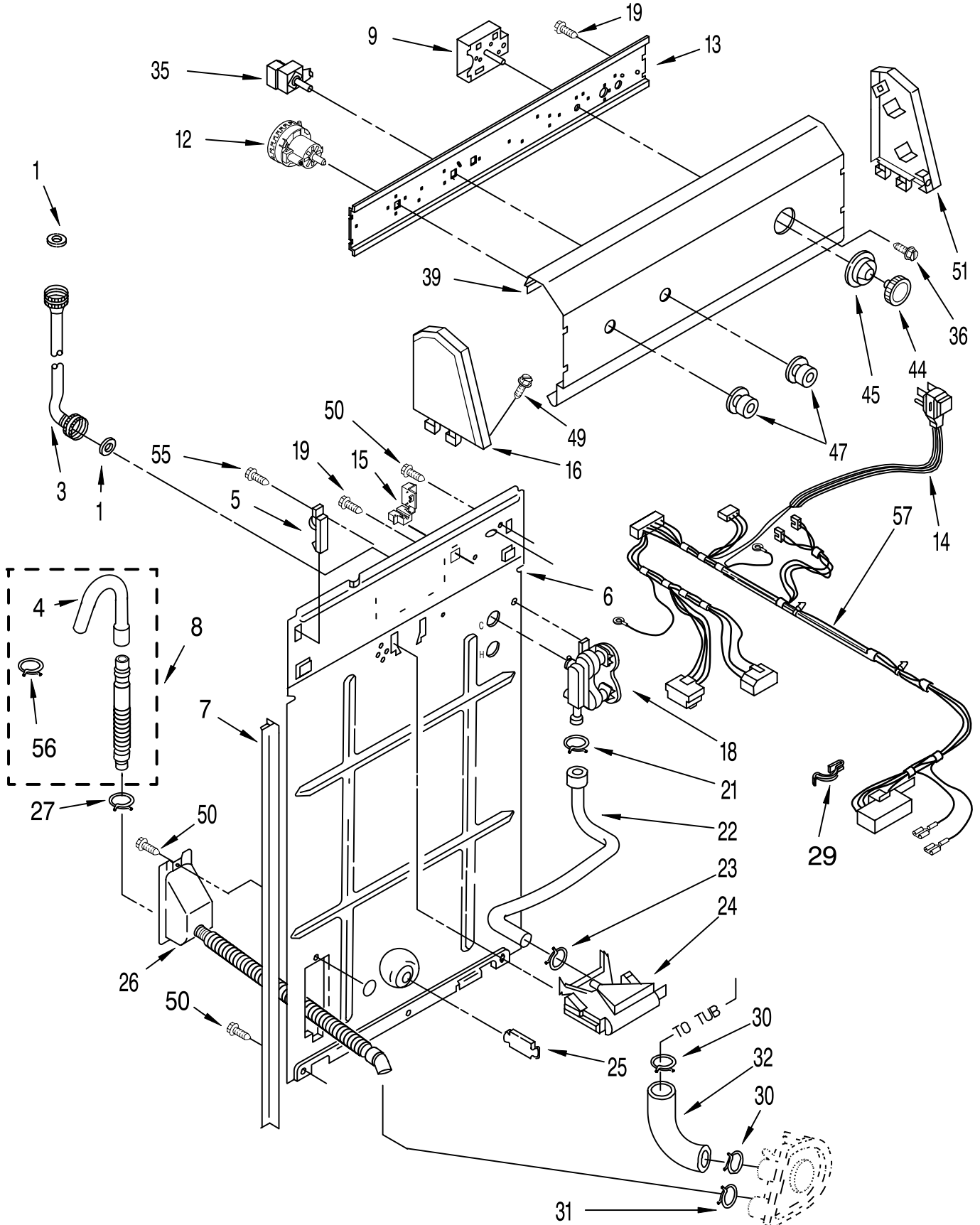
TOP AND CABINET PARTS

For Models: RAX7244EW1, RAX7244EQ1, RAX7244EN1
(White) (Designer White) (Almond)

Illus. No.	Part No.	DESCRIPTION
1	357213	Nut, Push-In (2)
2		Top
	3949476	For White And Designer White Models.
	3949477	For Almond Model
3	62750	Spacer, Cabinet Top (4)
5		Cabinet
	63424	For White And Designer White Models
	63425	For Almond Model
6	62780	Clip, Top & Cabinet & Rear Panel (2)
8	3356311	Screw & Washer, Lid Switch (2)
11	3949237	Switch, Lid
13	3351355	Screw, Lid Hinge Mounting (4)
15	54584	Hinge, Lid (L.H.)
16	54583	Hinge, Lid (R.H.)
17	19119	Bumper, Lid Hinge
18	21258	Bearing, Lid Hinge (2)
19		Lid
	3351652	For White And Designer White Models
	3351653	For Almond Model
20	358684	Strike, Lid Switch
22	93770	Bumper, Lid (2)
28	384435	Screw, 10-16 x 1/2 (5)
31	90016	Clip, Harness
33	3362952	Bezel, Bleach Dispenser

CONTROLS AND REAR PANEL PARTS

For Models: RAX7244EW1, RAX7244EQ1, RAX7244EN1
(White) (Designer White) (Almond)



FOR ORDERING INFORMATION REFER TO PARTS PRICE LIST

CONTROLS AND REAR PANEL PARTS

For Models: RAX7244EW1, RAX7244EQ1, RAX7244EN1

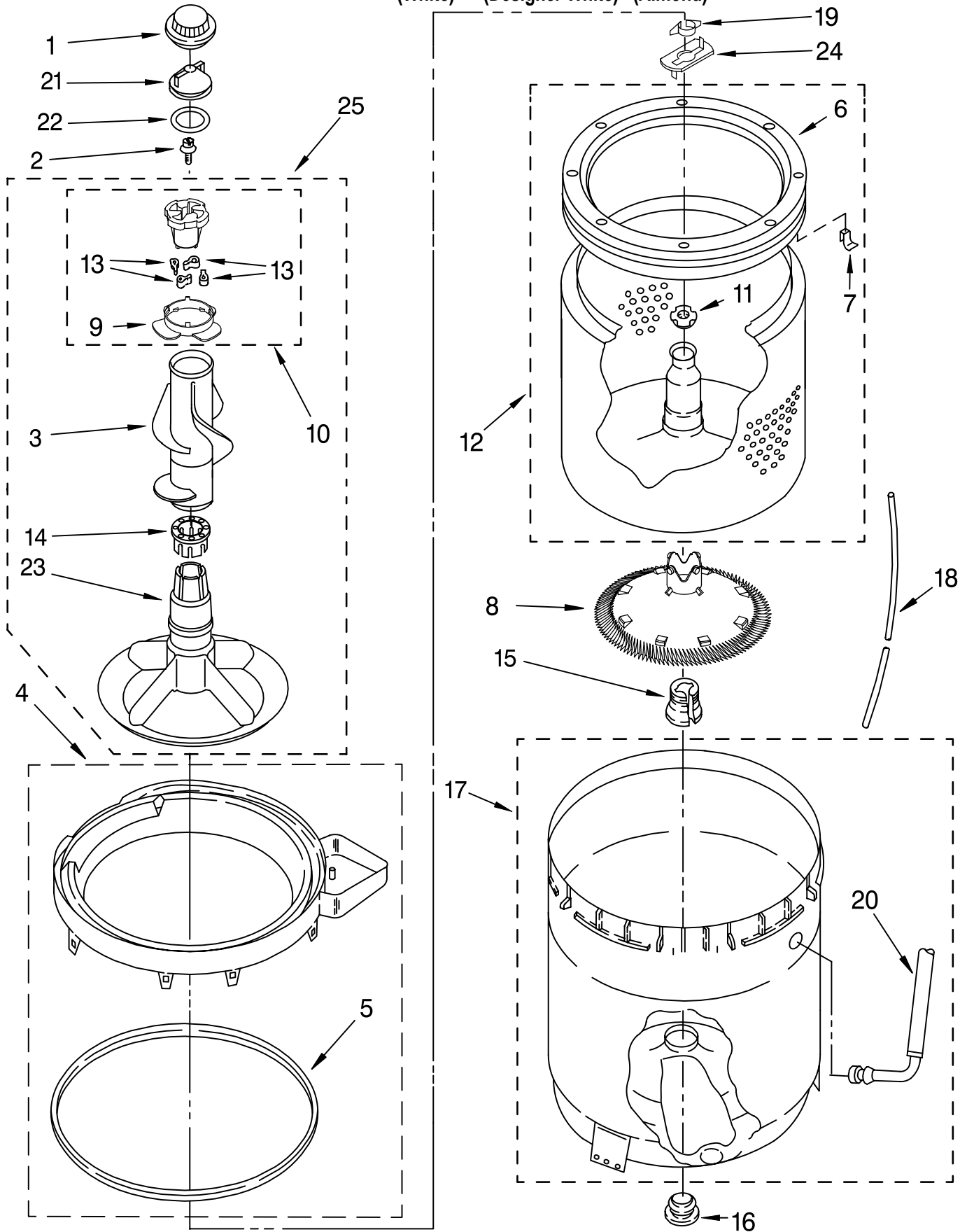
(White) (Designer White) (Almond)

Illus. No.	Part No.	DESCRIPTION	Illus. No.	Part No.	DESCRIPTION	Illus. No.	Part No.	DESCRIPTION
1	16123	Washer, Water Inlet Hose (4) (1-1/16 x 5/8)	16		Cap, End (L.H.)	44		Knob, Timer
3		Hose, Water Inlet (2)		3358013	For White And Almond Models		3362628	For White And Almond Models
	3949368	(Blue Coupler)		3358015	For Designer White Model		3362625	For Designer White Model
	3949369	(Red Coupler)	18	3360392	Valve, Water Mixing	45		Dial, Timer
4	3357027	Nozzle-Drain Hose	19	90864	Screw, Ground 10-24 x 3/8		3946479	For White And Almond Models
5	387402	Hinge, Console (2)	21	370451	Clamp, Hose		3946477	For Designer White Model
6	3357978	Panel, Rear	22	3357328	Hose, Vacuum Break	47		Knob, Water Temperature
7	62747	Pad, Rear Panel	23	371503	Clamp, Hose		3398393	For White And Almond Models
8	3951609	Hose, Drain (4 ft.)	24	3347034	Break, Vacuum		3398390	For Designer White Model
	661577	Hose, Drain (9 ft.) (Not Included.)	25	63290	Support, Rear Panel			
	3357090	Extension, Drain Hose (21 Inches) (Not Included)	26	3361805	Hose-Corrugated Assy.	49	388326	Screw, Console (Panel to Top)
9	3948357	Timer, Control (60 Hz.) (Motor Not A Service Part)	27	3366912	Clamp, Hose	50	62863	Screw, 10-16 x 3/8
12	3366847	Switch, Water Level	29	3347812	Clip, Wiring Harness	51		Cap, End (R.H.)
13	3948608	Bracket, Control	30	371502	Clamp, Hose		3357995	For White And Almond Models
14	3949248	Cord, Power (Power Cord Only Without Harness)	31	660628	Clamp, Hose		3357997	For Designer White Model
15	3949468	Strain Relief, Power Cord	32	62731	Hose, Pump To Tub	55	3357011	Screw, Hinge Mounting (10-16 x 1/2)
			35	3949184	Switch, Water Temperature	56	3366913	Clamp, Drain Hose
			36	96435	Screw, Timer Mounting (10-32 x 1) (2)	57	3950997	Harness, Wiring (Includes Power Cord) (For Detail See Page 9 & 10)
			39		Panel, Console			
				3949715	For White And Almond Models			
				3949721	For Designer White Model			

FOR ORDERING INFORMATION REFER TO PARTS PRICE LIST

AGITATOR, BASKET AND TUB PARTS

For Models: RAX7244EW1, RAX7244EQ1, RAX7244EN1
(White) (Designer White) (Almond)



FOR ORDERING INFORMATION REFER TO PARTS PRICE LIST

AGITATOR, BASKET AND TUB PARTS

For Models: RAX7244EW1, RAX7244EQ1, RAX7244EN1

(White) (Designer White) (Almond)

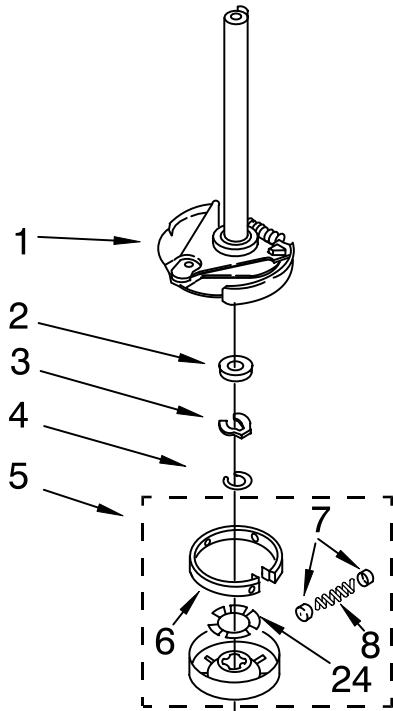
<u>Illus. No.</u>	<u>Part No.</u>	<u>DESCRIPTION</u>
1	63580	Dispenser Asy.
2	358237	Screw & Washer (5-16-24 x 1)
3	3349019	Mover, Agitator
4	3360611	Tub Ring & Gasket
5	3359586	Gasket, Tub Ring
6	387868	Balance Ring
7	387867	Clip, Balance Ring (8)
8	3361948	Filter, Plate
9	3363661	Bearing-Driven Cam
10	3363663	Cam Driven, Short
11	21366	Nut, Spanner
12	387713	Basket & Balance Ring (Includes Illus. 6)
13	3366877	Dog, Agitator Clutch
14	3350389	Spacer, Thrust
15	389140	Block, Basket Drive
16	383727	Gasket, Centerpost
17	63039	Tub
18	3347780	Hose, Pressure Switch
19	3354845	Clip-Agitator
20	3948705	Hose, Bleach
21	3347290	Cap, Barrier
22	3348855	Seal, Inner Cap
23	3350830	Agitator
24	3355921	Washer-Agitator
25	3350829	Agitator, Gull Wing (Complete Asy.)

FOR ORDERING INFORMATION REFER TO PARTS PRICE LIST

BRAKE, CLUTCH, GEARCASE, MOTOR AND PUMP PARTS

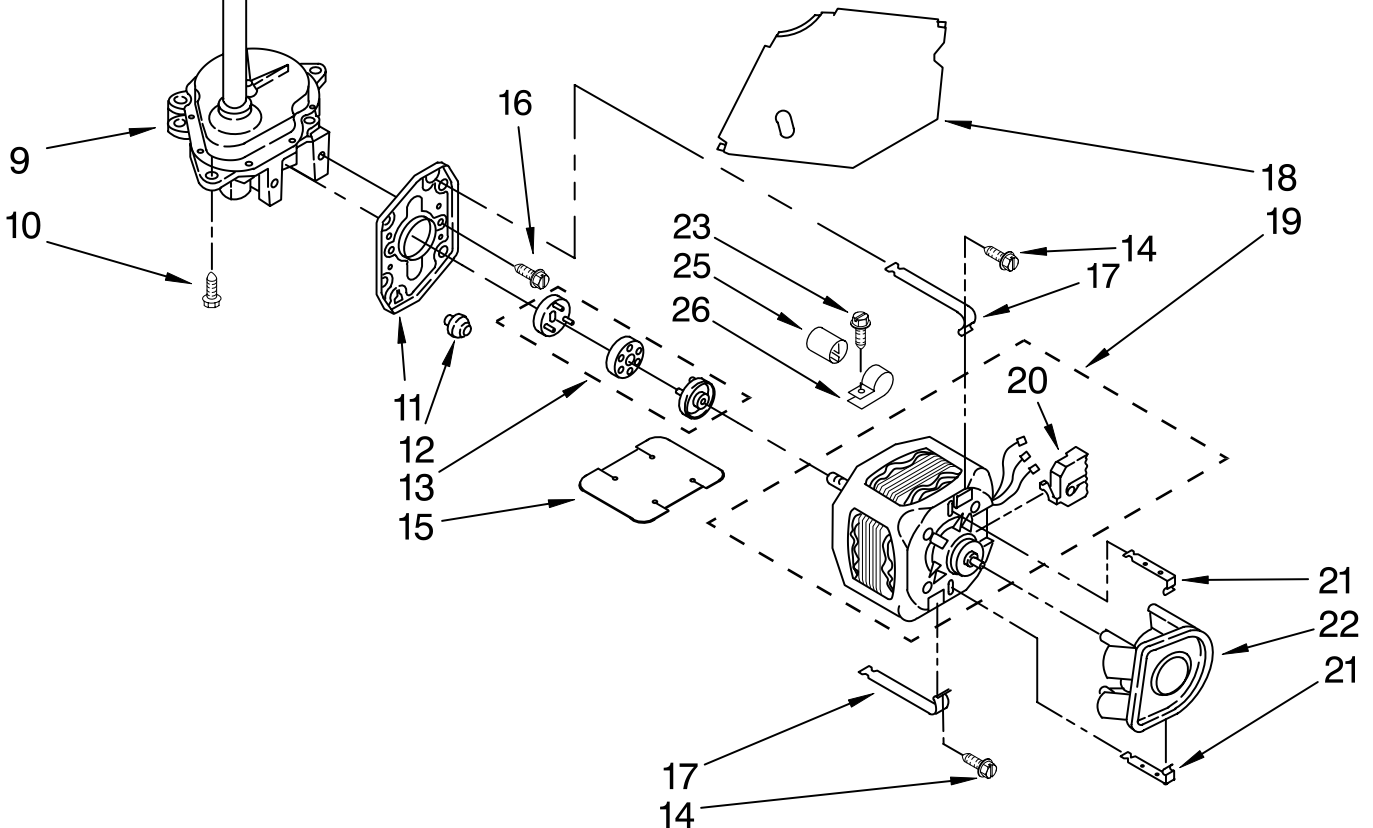
For Models: RAX7244EW1, RAX7244EQ1, RAX7244EN1

(White) (Designer White) (Almond)



Illus. No.	Part No.	DESCRIPTION
1	388951	Brake & Drive Tube (Complete) (Refer to Page 11 For Further Breakdown)
2	63292	Washer, Spin Tube Thrust
3	62697	Ring, Spin Tube Support
4	63283	Ring, Retainer
5	3946794	Clutch (Complete)
6	3946793	Band & Lining, Clutch (Includes Illus. 7 & 8)
7	62646	Cap, Clutch Spring (2)
8	3363337	Spring, Clutch
9	3360630	Gearcase (Complete) (Refer to Page 12 For Further Breakdown.)
10	3357334	Screw, Gearcase To Base (3)

Illus. No.	Part No.	DESCRIPTION
11	62611	Plate, Motor Mount To Gearcase
12	62691	Grommet, Motor (4)
13	3364003	Coupling, Motor and Isolation
14	3387485	Screw (2) #10-16 x 5/8
15	3946532	Shield, Motor
16	3357334	Screw
17	3349637	Retainer, Motor (2)
18	3362089	Shield, Tub To Motor
19	661600	Motor, Main Drive
20	62851	Switch, Main Drive Motor
21	62700	Retainer, Pump (2)
22	3363394	Pump (Complete)
23	62863	Screw, 10-16 x 3/8
24	3355454	Clip, Anti-Rattle
25	661606	Capacitor, Start
26	357030	Clamp, Capacitor

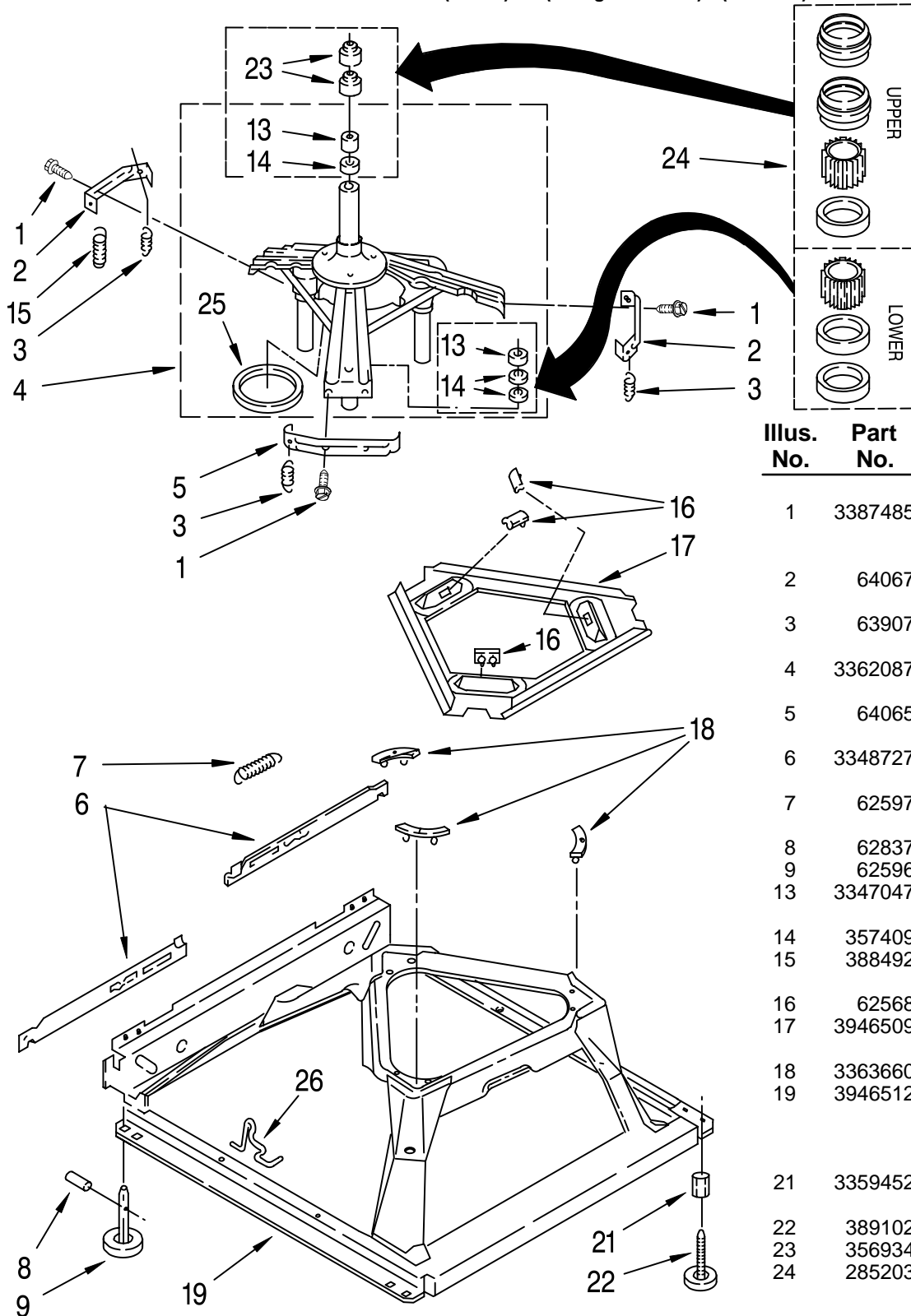


FOR ORDERING INFORMATION REFER TO PARTS PRICE LIST

MACHINE BASE PARTS

For Models: RAX7244EW1, RAX7244EQ1, RAX7244EN1

(White) (Designer White) (Almond)

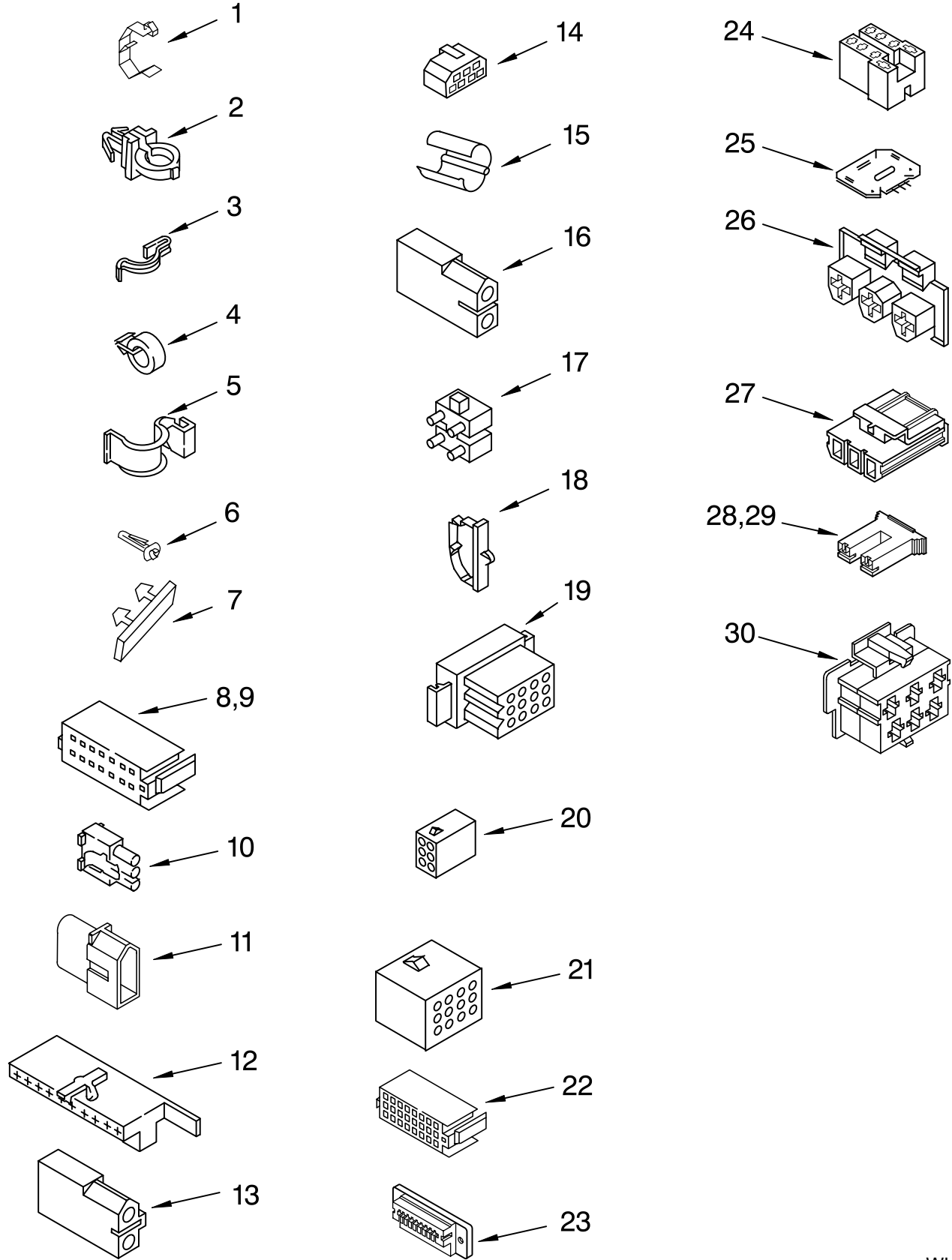


Illus. No.	Part No.	DESCRIPTION
1	3387485	Screw, Bracket Mounting (10-16 x 5/8)
2	64067	Bracket, Spring Outer (2)
3	63907	Spring, Suspension (3)
4	3362087	Support & Brake, Tub
5	64065	Bracket, Spring Outer (L.F.)
6	3348727	Link, Leveling Mechanism (2)
7	62597	Spring, Leveling Mechanism
8	62837	Pin, Knurled
9	62596	Foot, Rear (2)
13	3347047	Bearing, Centerpost (2)
14	357409	Seal, Centerpost (3)
15	388492	Spring, Counterweight
16	62568	Pad, Plate
17	3946509	Plate, Suspension (Includes Illus. 16)
18	3363660	Pad, Base
19	3946512	Base Assembly (Includes Illus. 6, 7, 8, 9, 16, 17, 18 & 26)
21	3359452	Nut, Lock (3/8-16) (2)
22	389102	Foot, Front (2)
23	356934	Seal, Centerpost (2)
24	285203	Centerpost Bearing Kit (Includes Illus. 13, 14 & 23)
25	63134	Ring, Sound Deadening
26	63806	Retainer, Suspension Spring

FOR ORDERING INFORMATION REFER TO PARTS PRICE LIST

WIRING HARNESS PARTS

For Models: RAX7244EW1, RAX7244EQ1, RAX7244EN1
(White) (Designer White) (Almond)



WH2F

FOR ORDERING INFORMATION REFER TO PARTS PRICE LIST

WIRING HARNESS PARTS

For Models: RAX7244EW1, RAX7244EQ1, RAX7244EN1
(White) (Designer White) (Almond)

Illus. No.	Part No.	DESCRIPTION	Illus. No.	Part No.	DESCRIPTION	Illus. No.	Part No.	DESCRIPTION
1	3349557	Clip, Harness	13	3348075	Block, Disconnect (Motor 3 Speed) (Use Term. 94613 Or 94614.)	22	3369366	Timer, Block Disconnect (Black) (Amp) (Use Term.3369365)
2	388498	Clip, Harness				23	3349494	Connector, Etc
3	3347812	Clip, Harness	14	3347243	Block, Disconnect (Use Term. 352088)	24	60687	Connector, Relay (Use Term.308569 Or 338664.)
4	3352501	Clip, Harness	15	63523	Protector	25	3407125	E.T.C. Control
5	90016	Clip, Harness	16	717252	Connector (2-Way) (Use Term.94614)	26	3948617	Connector (T.P.A.) (3-Circuit) (Lid Switch) (Use Term. 3948619 OR 3948620.)
6	3390496	Clip, Harness	17	387566	Plug, Terminal (4-Way) (Power Cord) (Use M3 Screws)	27	3360056	Connector (T.P.A.) (3-Circuit) (Pressure Switch) (Use Term.3948619 OR 3948620.)
7	389379	Retainer, (Suds Models)	18	3352944	Clip, Harness	28	3354925	Block, Connector (Cold Valve) (Use Term.693217)
8	352090	Timer, Block Disconnect (White)	19	3390423	Block, Disconnect (12-Way) (Timer) (Use Term. 94613)	29	3354926	Block, Connector (Hot Valve) (Use Term.693217)
9	352089	Timer, Block Disconnect (Black)	20	3347730	Receptacle (6-Way) (Use Term. 94613)	30	3948615	Connector (T.P.A.) (6-Circuit) (Temp. Switch) (Use Term.3948619 OR 3948620.)
10	62889	Receptacle, Terminal (3-Way) (Lid Switch) (Use Term.94613) Or 94614.)	21	388818	Plug, Terminal (12-Way) (Use Term. 94613 Or 94614.)			
11	353424	Plug, Terminal (3-Way) (Power Cord) (Use Term.94613)						
12	62505	Block, Disconnect (Motor 2 Speed) (Use Term.352088)						

**FOR COMPLETE WIRING HARNESS REFER TO
CONTROL AND REAR PANEL PARTS PAGE**

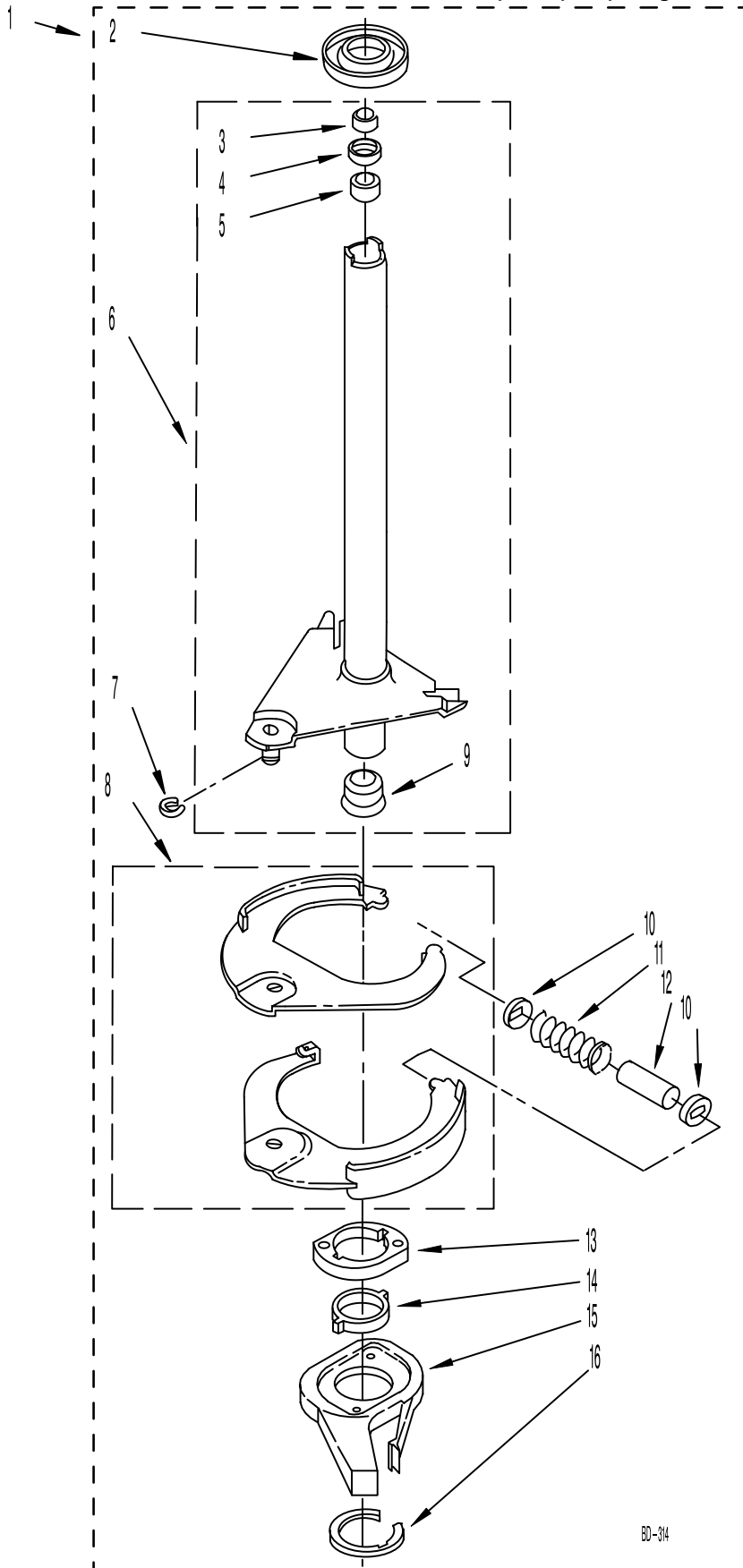
WH2F

FOR ORDERING INFORMATION REFER TO PARTS PRICE LIST

BRAKE AND DRIVE TUBE PARTS

For Models: RAX7244EW1, RAX7244EQ1, RAX7244EN1

(White) (Designer White) (Almond)



Illus. No.	Part No.	DESCRIPTION
1	388951	Brake And Drive Tube (Complete)
2	62658	Ring, Thrust
3	91939	Seal, Oil
4	356427	Seal, Drive Tube
5	356937	Spacer, Drive Tube
6	64027	Tube, Basket Drive (Includes Illus. 3, 4, 5 & 9)
7	64035	Ring, Retaining
8	64232	Brake Shoe
9	62703	"T" Bearing, Spin Tube
10	62648	Cap, Brake Spring (2)
11	62647	Spring, Brake
12	62909	Sleeve, Brake Spring
13	63023	Cam, Brake Release
14	63022	Sleeve, Cam
15	64194	Driver, Brake Cam
16	90368	Ring, Retaining

FOLLOWING PARTS NOT ILLUSTRATED

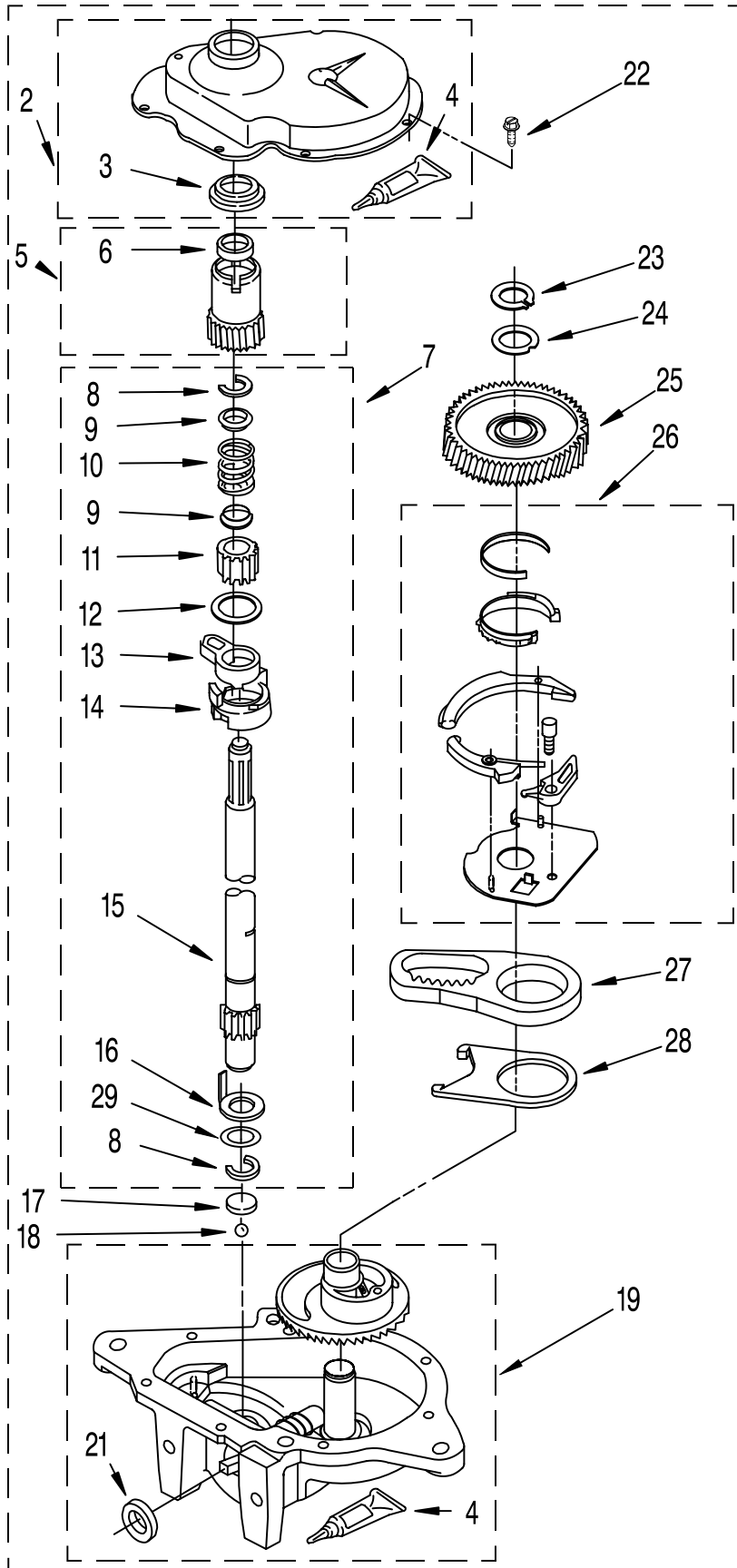
285208 Lubricant
(Use Only In Brake Shoe Assembly On Roller & Pin)

BD-314

FOR ORDERING INFORMATION REFER TO PARTS PRICE LIST

GEARCASE PARTS

For Models: RAX7244EW1, RAX7244EQ1, RAX7244EN1
(White) (Designer White) (Almond)



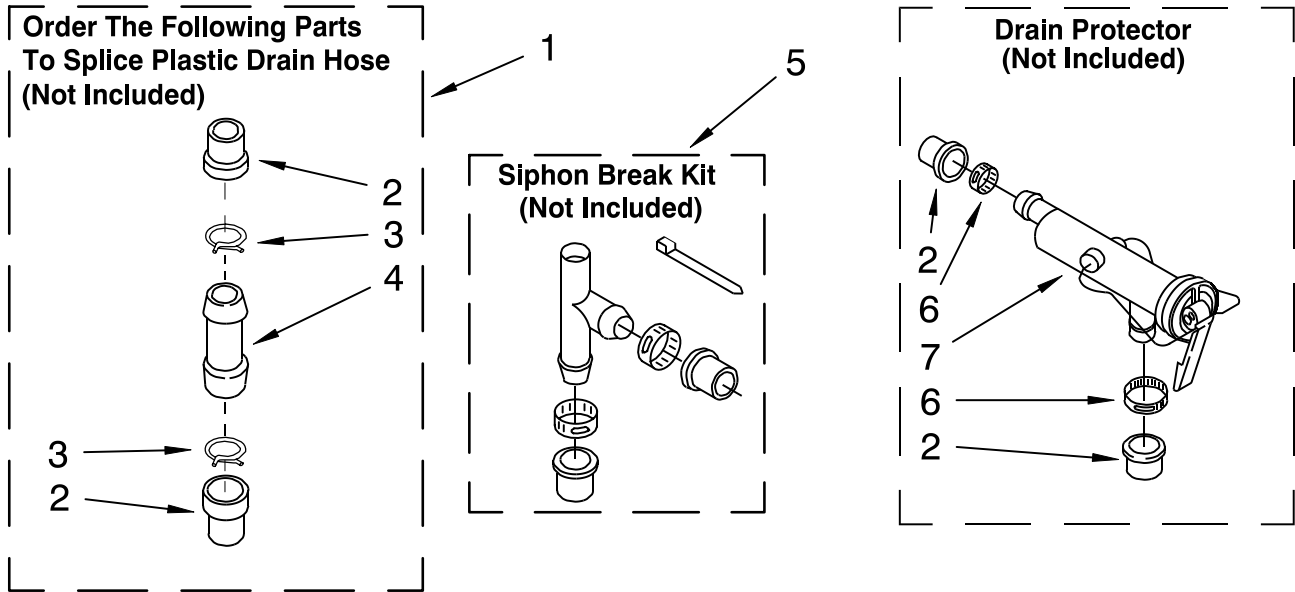
Illus. No.	Part No.	DESCRIPTION
1	3360630	Gearcase (Complete)
2	285202	Cover, Gearcase
3	3349985	Seal, Gearcase Cover
4	285195	Sealer, Gasket (.20 Fl. Oz.) (6 ml)
5	63320	Pinion, Spin (Includes Illus. 25)
6	356427	Seal, Spin Pinion
7	389387	Shaft, Agitator (Complete)
8	90369	Ring, Retaining (2)
9	62677	Retainer, Spring
10	62676	Spring, Agitate
11	63273	Gear, Agitate (Includes 15 and 29)
12	62619	Washer, Agitate Gear
13	62580	Cam Follower (Includes 14)
14	62581	Cam, Agitate (Includes 13)
15	285509	Shaft, Agitator (Includes 11 and 29)
16	62618	Washer, Cam Thrust
17	16018	Bearing, Thrust
18	85529	Ball, Bearing
19	389230	Bottom and Pinion, Gearcase
21	285352	Seal, Thrust Plug
22	3351614	Screw, Gearcase Cover, Mounting (8) (10-24 x 3/8)
23	3362552	Ring, Retaining
24	285735	Washer Kit, Thrust
25	62570	Gear, Spin
26	388253	Neutral Assembly
27	3349296	Rack, Connecting
28	62621	Actuator, Shift
29	388815	Washer, Intermediate

GC-215C

FOR ORDERING INFORMATION REFER TO PARTS PRICE LIST

WATER SYSTEM PARTS

For Models: RAX7244EW1, RAX7244EQ1, RAX7244EN1
(White) (Designer White) (Almond)



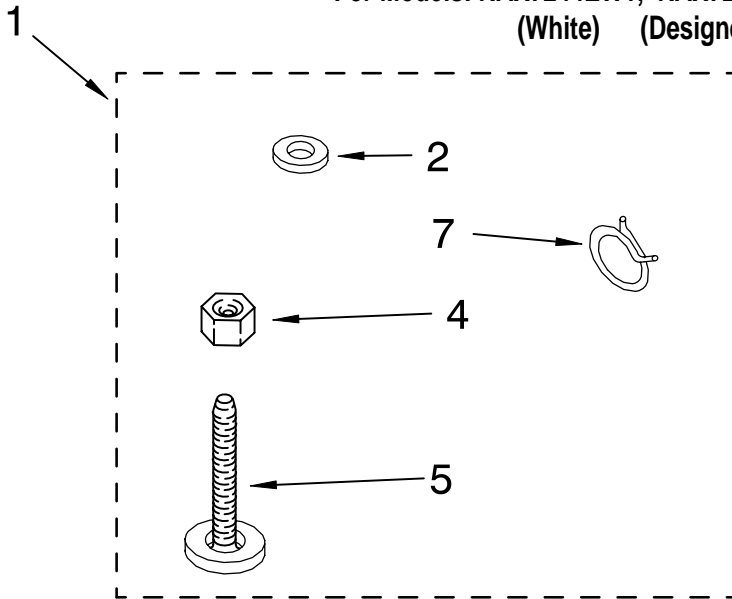
WS400

Illus. No.	Part No.	DESCRIPTION
1	285442	Connector Kit, Plastic Drain Hose
2	285321	Sleeve Kit, (Contains 2 Sleeves)
3	370447	Clamp, Hose
4	16272	Connector, Straight
5	285320	Siphon Break Kit (Not Included)
6	65349	Clamp, Hose
7	367031	Drain Protector (Not Included)

FOR ORDERING INFORMATION REFER TO PARTS PRICE LIST

MISCELLANEOUS PARTS

For Models: RAX7244EW1, RAX7244EQ1, RAX7244EN1
(White) (Designer White) (Almond)



Illus. No.	Part No.	DESCRIPTION
1	3976253	Miscellaneous Parts Bag
2	16123	Washer, Inlet Hose (1-1/16 x 5/8) (4)
4	3359452	Nut, Lock (2) (3/8-16)
5	389102	Foot, Front (2)
7	3366912	Clamp, Hose

LITERATURE AND OPTIONAL PARTS

Illus. No.	Part No.	DESCRIPTION	Illus. No.	Part No.	DESCRIPTION	Illus. No.	Part No.	DESCRIPTION
LITERATURE PARTS			OPTIONAL PARTS NOT INCLUDED					
LIT3950952		Sheet, Installation Instructions	PAINT, TOUCH-UP (1/2oz.)			LUBRICANT		
LIT3949065		Guide, Use and Care	72017	White		285208		Lubricant (Use Only in Brake Shoe Assembly On Roller and Pin)
LIT3949012		Label, Energy Guide	72107	Almond				
LIT3948359		Label, Wiring Diagram	72110	Golden Harvest				
			PAINT, PRESSURIZED SPRAY (13 oz.)			SEALER		
			350938	Primer, Gray		285195		Sealer, Gasket (.20 Fl. Oz.) (6 ml)
			350930	White		SHIPPING KIT		
			350956	Almond		3348675		Shipping Kit
			261890	Golden Harvest		ACCESSORY PARTS		
			PAINT, BULK (1 qt.)			3359794		Fabric Dispenser
			799344	White (Uncut)		367031		Drain Protector
			978883	Almond (Uncut)		89121		Stand-Pipe Kit
			261891	Golden Harvest (Uncut)		285320		Siphon Break Kit
			OIL					
			350572	Oil, Gearcase (16 Oz.)				

FOR ORDERING INFORMATION REFER TO PARTS PRICE LIST