

2004 SONY MOBILE PRODUCT GUIDE



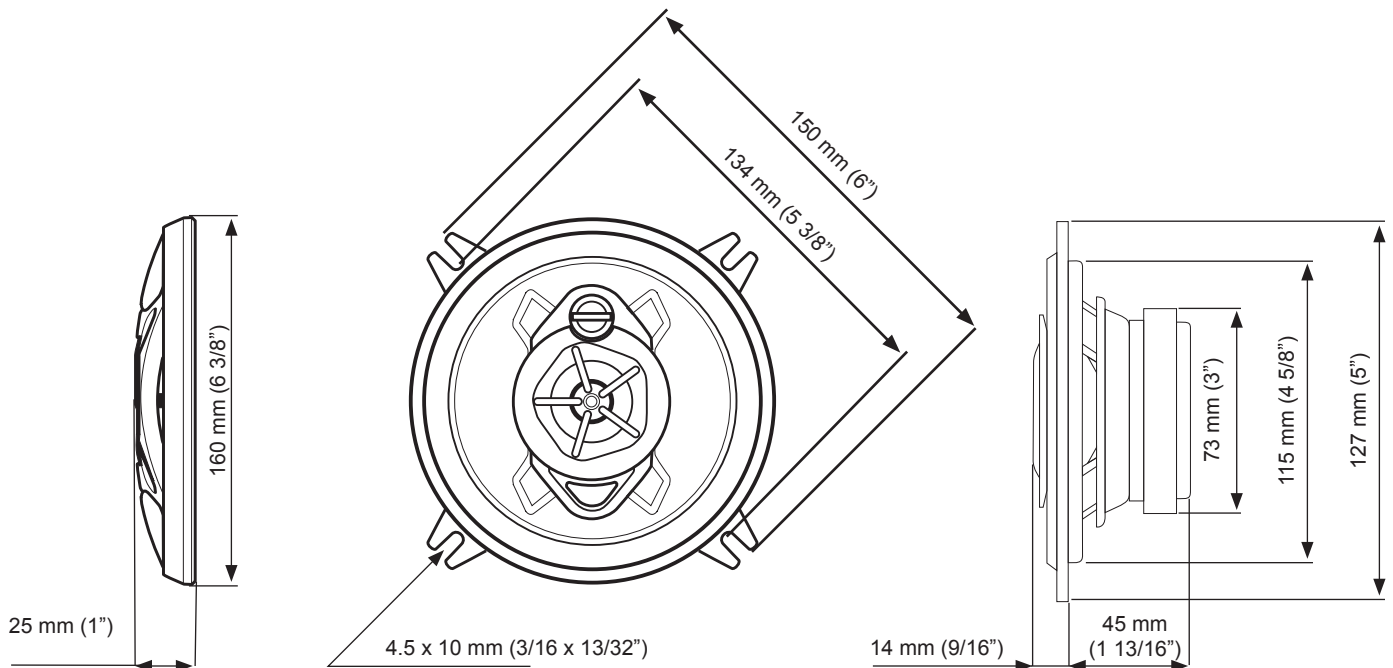
- 5-1/4" HOP woofer cone
- 1-3/16" balanced dome mid
- 7/16" dome tweeter
- 180W peak power (45W RMS)
- Flexible mounting options

XS-V1330A 3-Way Speaker

Specifications

Speaker	Coaxial 3-way Woofer 13cm (5 1/8 in.) cone type Midrange 3.0 cm (1 3/16 in.) balance dome type Tweeter 1.1 cm (13/32 in.) dome type
Peak Power	180 watts
Rated Power	45 watts
Impedance	4 ohms
Sensitivity	91 dB/W/m
Frequency response	40 - 30,000 Hz
Mass	Approx. 610 g (1 lb 6 oz) per speaker

Dimensions



Design and Specifications subject to change without notice.

SONY