

ONE-YEAR LIMITED WARRANTY

THIS LIMITED WARRANTY IS VALID ONLY ON SANYO TELEVISIONS PURCHASED AND USED IN THE UNITED STATES OF AMERICA, CANADA, AND PUERTO RICO, EXCLUDING THE UNITED STATES' OTHER TERRITORIES AND PROTECTORATES. THIS LIMITED WARRANTY APPLIES ONLY TO THE ORIGINAL PURCHASER, AND DOES NOT APPLY TO PRODUCTS USED FOR INDUSTRIAL OR COMMERCIAL PURPOSES.

FOR ONE YEAR from the date of purchase, Sanyo Manufacturing Corporation will replace any defective TV.

To insure proper warranty exchange, keep the original sales receipt for evidence of purchase. Return the defective TV to the retailer along with the receipt and the included accessories, such as the remote control. The defective TV will be exchanged for the same model, or a replacement model of equal value, if necessary. Replacement model will be contingent on availability and at the sole discretion of Sanyo Manufacturing Corporation.

THE FOREGOING WARRANTY IS EXCLUSIVE AND IN LIEU OF ALL OTHER WARRANTIES OF MERCHANTABILITY OR FITNESS FOR A PARTICULAR PURPOSE.

OBLIGATIONS

For one year from the date of purchase, Sanyo Manufacturing Corporation warrants this product to be free from defects in material and workmanship under normal use and conditions. Should replacement be necessary under this warranty for any reason due to manufacturing defect or malfunction during the first year from date of original purchase, Sanyo Manufacturing Corporation will provide a new TV via exchange at the retailer.

For customer assistance, whether during or out of the warranty period, call toll free 1-800-877-5032.

Weekdays 7:30 AM – 7:00 PM Central Time

Saturday 7:30 AM – 4:00 PM Central Time

This warranty expresses specific contractual rights; retail purchasers may have additional statutory rights which vary from state to state.

(EFFECTIVE: August 1, 2002)

For your protection in the event of theft or loss of this product, please fill in the information requested below and KEEP IN A SAFE PLACE FOR YOUR OWN PERSONAL RECORDS.

Model No. _____ Date of Purchase _____
 Serial No. _____ Purchase Price _____
 (Located on back of unit) _____
 Where Purchased _____



Sanyo Manufacturing Corp.
 3333 Sanyo Road, Forrest City, AR 72335

Model Nos. :

Color TV Owner's Manual

DS13204
DS19204
DS25204

Welcome to the World of Sanyo

Thank you for purchasing a Sanyo Color Television. You made an excellent choice for Performance, Styling, Reliability, and Value. This television is designed with easy to use on-screen set-up instructions and operating features.

If you need assistance visit our Web site at www.sanyoctv.com or call toll free 1-800-877-5032.

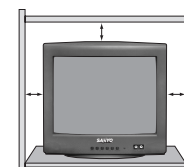


* "As an ENERGY STAR® Partner, Sanyo Manufacturing Corporation has determined that this product meets the ENERGY STAR® guidelines for energy efficiency."

* Model DS25204 only

POSITIONING THE TV

Do not position the TV in a confined area. Allow space for normal air circulation around electronic parts.



CHILD SAFETY

Sanyo is committed to making home entertainment safe and enjoyable. Always use an appropriate table or stand when positioning your TV. Use appropriate brackets, braces, or straps to anchor your furniture in place. **But NEVER screw anything directly to the television.**

Do not place televisions on dressers, shelves, desks, carts, etc. where curious or excited children could pull, push, or otherwise cause the unit to fall and cause personal injury.

Never place toys or other items on top of the TV that could pique children's curiosity causing them to climb about the furniture.

Always use stands that are designed to support the size and combined weight of your television and other electronic devices.



Printed in U.S.A. SMC, April 2004

Service Code: 610 312 7484

Part No.: 1JC6P1P0164A-

SPECIFICATIONS

PICTURE TUBE SIZE (Measured Diagonally)

DS13204	13-inches
DS19204	19-inches
DS25204	25-inches

PICTURE RESOLUTION

Antenna Input	260 Lines
Video Input	350 Lines

ANTENNA INPUT UHF/VHF/CATV 75Ω

POWER REQUIREMENT 120VAC 60Hz

POWER

DS13204	45 watts
DS19204	58 watts
DS25204	78 watts

HORIZONTAL DIM. (Width)

DS13204	14.0 in. (356mm)
DS19204	19.2 in. (488mm)
DS25204	24.4 in. (619mm)

VERTICAL DIM. (Height)

DS13204	12.9 in. (327mm)
DS19204	17.2 in. (438mm)
DS25204	22.4 in. (570mm)

DEPTH DIM. (Thickness)

DS13204	14.6 in. (372mm)
DS19204	18.5 in. (470mm)
DS25204	20.4 in. (517mm)

WEIGHT (Approx.)

DS13204	18.7 lbs. (8.5 Kg.)
DS19204	35.2 lbs. (16.0 Kg.)
DS25204	59.5 lbs. (27.0 Kg.)

SOUND (1 Speaker) Size: 8 cm

AMPLIFIER Built-in with 1W/ch

FRONT A/V INPUT JACKS Video/Audio

CAUTION: FCC Regulations state that unauthorized changes or modifications to this equipment may void the user's authority to operate it.

CAUTION RISK OF ELECTRIC SHOCK DO NOT OPEN	THIS SYMBOL INDICATES THAT DANGEROUS VOLTAGE CONSTITUTING A RISK OF ELECTRIC SHOCK IS PRESENT WITHIN THIS UNIT.
CAUTION: TO REDUCE THE RISK OF ELECTRIC SHOCK, DO NOT REMOVE COVER (OR BACK). NO USER-SERVICEABLE PARTS INSIDE. REFER SERVICING TO QUALIFIED SERVICE PERSONNEL.	THIS SYMBOL INDICATES THAT THERE ARE IMPORTANT OPERATING AND MAINTENANCE INSTRUCTIONS IN THE LITERATURE ACCOMPANYING THIS UNIT.

WARNING: TO REDUCE THE RISK OF FIRE OR ELECTRIC SHOCK, DO NOT EXPOSE THIS APPLIANCE TO RAIN OR MOISTURE.

IMPORTANT SAFETY INSTRUCTIONS

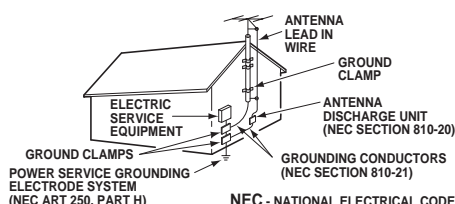
CAUTION: PLEASE ADHERE TO ALL WARNINGS ON THE PRODUCT AND IN THE OPERATING INSTRUCTIONS. BEFORE OPERATING THE PRODUCT, PLEASE READ ALL OF THE SAFETY AND OPERATING INSTRUCTIONS. RETAIN THIS LITERATURE FOR REFERENCE. Follow all instructions...

Positioning the appliance

- Do not place your appliance on an unstable cart, stand, shelf or table. Serious injury to an individual, and damage to the appliance, may result if it should fall. Your salesperson can recommend approved carts and stands or shelf and wall mounting instructions. An appliance and cart combination should be moved with care. Quick stops, excessive force, and uneven surfaces may cause the appliance and cart combination to overturn.
- Slots and openings in the cabinet and in the back or bottom are provided for ventilation. To ensure reliable operation of the appliance and to protect it from overheating, these openings must not be blocked or covered. The openings should never be covered with a cloth or other material, and the bottom openings should not be blocked by placing the unit on a bed, sofa, rug, or other similar surface. This appliance should never be placed near or over a radiator or heat register. This appliance should not be placed in a built-in installation such as a bookcase unless proper ventilation is provided.
- Do not expose the appliance to rain or use near water . . . for example, near a bathtub, swimming pool, kitchen sink, in a wet basement, etc.

Hooking Up Outdoor Antenna

LIGHTNING PROTECTION FOR YOUR ANTENNA AND SET AS PER NATIONAL ELECTRICAL CODE INSTRUCTIONS.



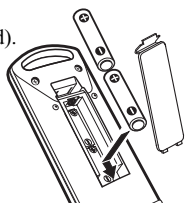
EXAMPLE OF ANTENNA GROUNDING ACCORDING TO NATIONAL ELECTRICAL CODE, ANSI/NFPA 70

- If an outside antenna is connected to the receiver, be sure the antenna system is grounded so as to provide some protection against voltage surges and built up static charges. Article 810 of the National Electrical Code, ANSI/NFPA 70, provides information with respect to proper grounding of the mast and supporting structure, grounding of the lead in wire to an antenna discharge unit, size of grounding conductors, location of antenna discharge unit, connection to grounding electrodes, and requirements for the grounding electrode.

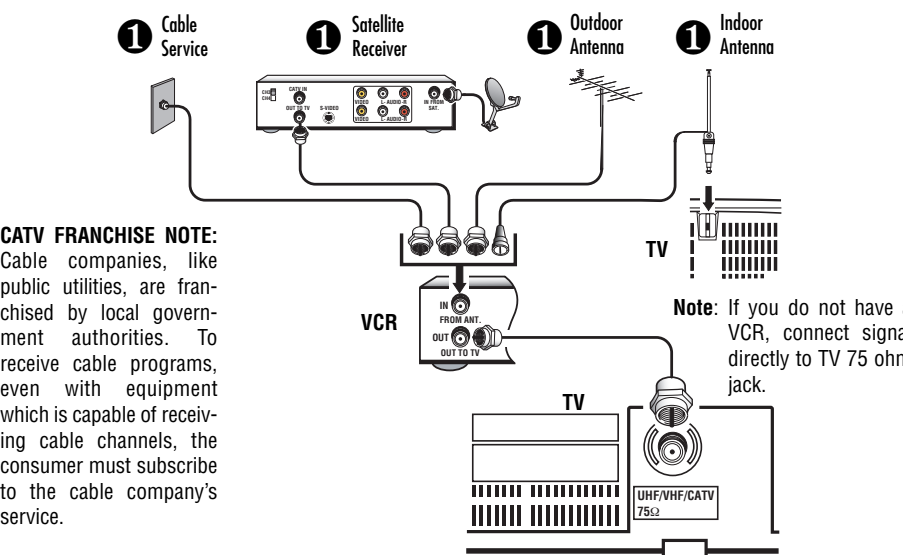
An outside antenna system should not be located in the vicinity of overhead power lines or other electric light or power circuits, or where it can fall into such power lines or circuits. When installing an outside antenna system extreme care should be

BASIC SETUP AND CONNECTIONS

- Install batteries in remote control (2 AAA, not included).
- Connect signal. (See illustration below.)
- Plug in AC power cord.
- Press the **POWER** key to turn on TV.
- Follow on-screen instructions.



IMPORTANT NOTE: Spent or discharged batteries must be recycled or disposed of properly in compliance with all applicable laws. For detailed information, contact your local County Solid Waste Authority.



CATV FRANCHISE NOTE: Cable companies, like public utilities, are franchised by local government authorities. To receive cable programs, even with equipment which is capable of receiving cable channels, the consumer must subscribe to the cable company's service.

Note: If you do not have a VCR, connect signal directly to TV 75 ohm jack.

ON-SCREEN MENU OPERATION

1. Press **MENU**.
2. Use the **▲/▼** keys to *highlight* a feature.
3. Use the **-/+** keys to choose an option.
4. Press **MENU** to exit.

Items with submenus requires additional steps.

Automatic Picture Adjustment

1. Highlight **Auto** for normal viewing or **Game** for video game settings.

Note: When you choose **Game**, the picture and sound will auto adjust to ideal game settings.

Manual Picture Adjustment

1. Highlight **Manual**.
2. Press **MENU**.
3. Use the **▲/▼** keys to choose **Color, Tint, Contrast, Bright, or Sharpness**.
4. Use the **-/+** keys to make adjustment.

Resetting the Cable-VHF/UHF Mode or Channel Search

These changes are required *only* if additional channels become available, such as switching from Antenna to Cable.

1. Highlight **CH Search** and press the **+** key.

Adding or Deleting Scan Memory Channels

1. Press **MENU** key.
2. Highlight **CH. Scan Memory**.
3. Press the **+** key.
4. Enter the channel number you want to add or delete.
5. Press the **+** key to change the present setting. Example: Added will change to Deleted. This takes about three seconds. During that time, the word "Added" or "Deleted" will become yellow.
6. Use the 0-9 or **▲▼** keys to choose other channels to delete or add, or press the **MENU** key to exit.

Deleted C34
Use **▲▼, 0-9, +** keys

V-GUIDE OPERATION

Setting MPAA Movie Rating

1. Press **V-GUIDE**.
2. Press the **+** key to switch V-Guide ON.
3. Highlight **MPAA Rating**, if necessary.
4. Press the **+** key to select a rating option.
5. Press the **MENU** key to change rating (**B↔U**).

OFF < ON >
MPAA Ratings : X U
TV Ratings :
Use **-+, ▲▼** keys
MENU key to Block

Setting TV Ratings

6. Highlight **TV Ratings**.
7. Press the **+** key to select rating option.
8. Press the **MENU** key to change rating (**B↔U**).

OFF < ON >
MPAA Ratings :
TV Ratings : TVMA U
Use **-+, ▲▼** keys
MENU key to Block

Setting Content-Based Rating

9. Select **Contents**.
10. Press the **MENU** key to display the Contents options: **D, L, S, V,** or **FV**. (D-Suggestive Dialog, L-Adult Language, S-Sexual Situation, V-Violence, FV-Fantasy Violence)
11. Highlight desired option: **D, L, S, V,** or **FV**.
12. Use the **-/+** keys to select rating.
13. Press the **MENU** key to change rating (**B↔U**).
14. Use the **▲/▼** keys to highlight another content rating. Repeat steps 11 through 13 to block or unblock rating.
15. Press the **V-GUIDE** key to exit.

OFF < ON >
MPAA Ratings :
TV Ratings : Contents
Press MENU key

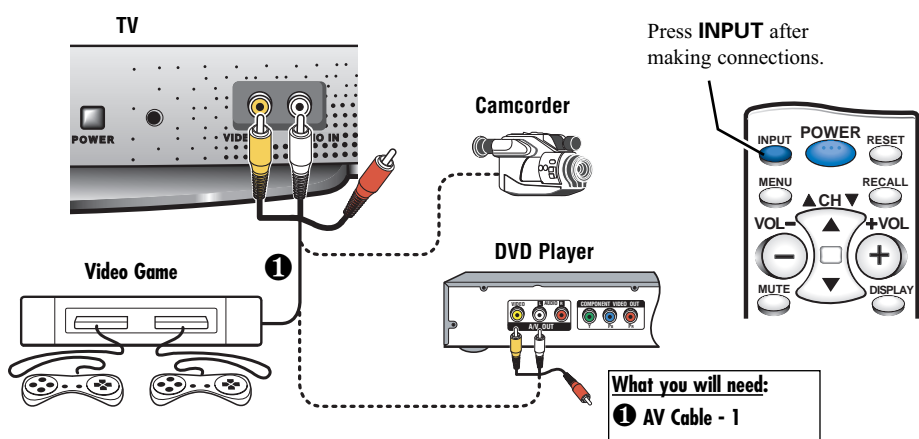
D : TV14 B
L :
S :
V :
FV :
Use **-+, ▲▼** keys
MENU key to Block

Turning Off the V-Guide

1. Press the **V-GUIDE** key.
2. Use the **-/+** keys to select **OFF**.

USING FRONT A/V JACKS

1. Connect a Video Game, Camcorder, or other external equipment to the TV as shown below.



- Notes:**
- Switch off TV and external equipment before connecting cables. (Cables are not supplied with the TV.)
 - One audio plug will not be used when connecting a stereo device. Just leave the red audio plug disconnected from both units.
 - Only one device at a time can be connected to these jacks.

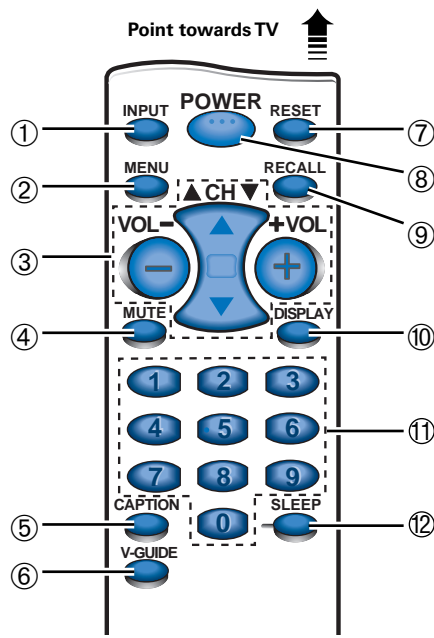
CARE AND CLEANING

1. **Unplug the power cord before cleaning the television.**
2. Clean the screen and cabinet with a soft dry cloth.

Note: Never spray liquids on the screen because it can run down and drip onto the chassis. This may cause component failure not covered under Warranty.



REMOTE CONTROL OPERATION



- ① **Input Key**—Press to select the program source to watch: TV signal or signal from DVD Player or other equipment you have connected to the A/V jacks.
- ② **Menu Key**—Use this key with the **▲/▼** and **-/+** keys to navigate and adjust features of the on-screen menu system.
- ③ **Channel Scanning (CH ▲/▼) and Volume (VOL -/+) Keys**—Press to scan through the channels in memory and to adjust the volume.
- ④ **Mute Key**—Press once to suppress the volume. Press again to restore volume to previous level.
- ⑤ **Caption Key**—Captioning is text information transmitted along with the picture and sound so it can be displayed on the TV screen.
 1. Press **CAPTION**.
 2. Press **0** (zero) to select options: OFF, C1, C2, T1, T2, or QUIKCAP.

Notes: Quikcap switches captions on and off with the Mute function.
If a black box appears on the screen, press the **RESET** key twice.

- ⑥ **V-Guide Key**—(See V-Guide Operation.)

Note: This feature is designed to comply with the United States of America's FCC V-Chip regulations. Therefore, it may not function with broadcasts that originate in other countries.

Use this feature to supervise the television viewing of young children. This TV can be set to automatically block programs with content you deem as inappropriate for your children to view.

- ⑦ **Reset Key**—Press this key **twice** to restore factory settings. The TV will automatically start Channel Search and clear all customized settings. These features will automatically reset:
 - Picture Adjustments: Color, Sharpness, Bright, Contrast, and Tint
 - Channel Memory
 - Caption to OFF
 - V-Guide to OFF
 - Language to English
 - Sleep Timer
 - Game/Video mode to TV

If desired, personal settings can be made again using the menu options.
- ⑧ **Power Key**—Press to turn TV ON or OFF.
- ⑨ **Recall Key**—Press to switch between the last two channels you selected.
- ⑩ **Display Key**—Press once to display the channel number. Press twice to display the channel number continuously. Press again to remove the channel number.
- ⑪ **Number Keys**—Press two keys to select a channel. *Example:* Press **0** then **6** to select channel 6. *For cable channels 100 through 125,* press and hold the **1** key until **C1** appears. Then press the other two numbers.
- ⑫ **Sleep Key**—Press this key then press the **"0"** key to set the Sleep Timer. The desired time can be set from 30 minutes up to 3 hours in 30-minute increments. Sleep Timer will switch off the TV automatically.

Note: The Sleep Timer cancels when the TV is turned off or if a power failure occurs.

MEXICO GUARANTEE

IMPORTADOR:
COMERCIALIZADORA MEXICO AMERICANA, S.DE R.L. DE C.V.
AV. NEXTENGO N° 78
COL. SANTA CRUZ ACAYUCAN
DEL. AZCAPOTZALCO, MÉXICO D.F., C.P. 02770
RFC: CMA9109119L0

DESCRIPTION: Television
BRAND: SANYO
MODELS: DS13204
DS19204
DS25204

GUARANTEE

THE APPARATUS THAT YOU HAVE ACQUIRED HAS A ONE YEAR GUARANTEE FOR MANUFACTURING DEFECTS AND A ONE YEAR SERVICE WARRANTY FROM THE DATE OF PURCHASE GRANTED BY:

COMERCIALIZADORA MEXICO-AMERICANA, S. DE R.L. DE C.V.

UNDER THE FOLLOWING CONDITIONS:

1. TO MAKE THE GUARANTEE EFFECTIVE, SIMPLY SHOW THIS POLICY FILLED OUT BY THE STORE OR SUPPLIER UNIT OR THIS SALES INVOICE, WITH THE APPARATUS IN ANY OF THE SERVICE CENTERS INDICATED ON THIS GUARANTEE.
2. IF THE FAULT IS ATTRIBUTED TO A MANUFACTURING DEFECT, THE APPARATUS WILL BE REPLACED OR YOUR MONEY REFUNDED. DURING THE 30 DAYS SUBSEQUENT TO THE PURCHASE THE GUARANTEE WILL BE VALID AT THE STORE WERE THE APPARATUS WAS PURCHASED, PRESENTING THE ABOVE DOCUMENTS.
3. REPAIR TIME WILL NEVER BE MORE THAN 30 DAYS. IF THIS TIME HAS ELAPSED, AND THE PRODUCT ISN'T REPAIRED, COMERCIALIZADORA MEXICO AMERICANA, S. DE R.L. DE C.V. WILL PROCEED TO EFFECTUATE THE EXCHANGE FOR AN EQUIVALENT APPARATUS OR THE RETURN OF THE BUYING-SALE COST RESPECTIVELY.
4. THIS GUARANTEE WILL COVER ITS TOTALITY OF PIECES, COMPONENTS AND SERVICE REPAIR OF PRODUCT, AND THE RESPECTIVE COST OF TRANSPORTATION.

THIS GUARANTEE WILL BE NULL AND VOID IN THE FOLLOWING CIRCUMSTANCES:

- * WHEN PRODUCT HAS BEEN USED IN A DIFFERENT CONDITION THAN ITS NORMAL USE.
- * WHEN PRODUCT HASN'T BEEN OPERATING CORRECTLY ACCORDING TO THE INSTRUCTIONS IN THIS MANUAL.
- * WHEN PRODUCT HAS BEEN CHANGED OR REPAIRED BY PERSONS NOT AUTHORIZED FROM THE MANUFACTURER, IMPORTER, OR MERCHANT RESPONSIBLE RESPECTIVE.

CENTRO DE SERVICIO Y LUGAR DONDE OBTENER PARTES, COMPONENTES, CONSUMIBLES Y ACCESORIOS:

SUCURSAL VALLEJO Poniente 126 N° 288 B Col. Nueva Vallejo México, D.F. Tels. 5567-5378 5368-0105, 8589-8033

SUCURSAL MINERVA Silos N° 135, Col. Minerva Deleg. Iztapalapa México, D.F. 09810 Tels. 5646-4551 5646-4550

STAMP, DATE AND SIGNATURE OF STORE

DESCRIPTION: _____ **BRAND:** _____ **MODEL:** _____
CLIENT'S _____
ADDRESS: _____
EXTERIOR NUMBER: _____ INTERIOR NUMBER: _____
SUB DIVISION: _____ STATE/DELEGATION: _____
TELEPHONE: _____



This symbol on the nameplate means the product is Listed by Underwriters' Laboratories Inc. It is designed and manufactured to meet rigid U.L. safety standards against risk of fire, casualty and electrical hazards.