

## Product Support Guide D014 / D015

### Introduction

|                          |                  |
|--------------------------|------------------|
| <b>Model Type</b>        | <b>Color MFP</b> |
| <b>Launch Date</b>       | <b>1/15/2008</b> |
| <b>S/N Configuration</b> | <b>M79/M80</b>   |
| <b>Product Code</b>      | <b>D014/D015</b> |

### Brand/Model Name

| <b>Product Code</b> | <b>Gestetner</b>         | <b>Lanier</b>          | <b>Ricoh</b>               | <b>Savin</b>         |
|---------------------|--------------------------|------------------------|----------------------------|----------------------|
| <b>D014 / D015</b>  | <b>MP C6000/MP C7500</b> | <b>LD260c / LD275c</b> | <b>MP C6000 / MP C7500</b> | <b>C6055 / C7570</b> |

### Product Concept

The Model D014/D015 is based on the engine platform of the B132/B200. Some enhanced specifications include, shorter warm up time, new scan-to-functions, new security features, wider paper handling capabilities and copy quality refinements.



# Product Support Guide

## D014 / D015

### Order Number Main Frame

| Item   | Model Name   | EDP Code | Lanier ID | Notes |
|--------|--|----------|-----------|-------|
| Copier | Lanier LD260c<br>Ricoh MP C6000<br>Savin C6055<br>Gestetner MP C6000 | 413959   | 216-1244  | -     |
| Copier | Lanier LC275c<br>Ricoh MP C7500<br>Savin C7570<br>Gestetner MP C7500 | 413960   | 216-1245  | -     |

### Options

| Item                  | Description                                      | EDP Code  | Lanier ID | Product Code | Common / Unique |
|-----------------------|--|-----------|-----------|--------------|-----------------|
| Finisher              | SR4010 - 50 sheet document stapler               | 413974    | 216-1246  | D374         | U               |
| Finisher              | SR4020 Saddle stitch finisher                    | 413976    | 216-1247  | D373         | U               |
| Finisher Adapter      | Finisher Adapter Type C<br>(for SR5000 finisher) | 413973    | 216-7190  | D375         | U               |
| Printer/Scanner       | Ricoh Printer/Scanner Bundle                     | 003187MIU | -         | -            | U               |
| Printer/Scanner       | Savin Printer/Scanner Bundle                     | 003188MIU | -         | -            | U               |
| Printer/Scanner       | Gestetner (RLA) Printer/Scanner Bundle           | 003189MIU | -         | -            | U               |
| Printer/Scanner       | Lanier Printer/Scanner Bundle                    | 003190MIU | -         | -            | U               |
| PostScript            | PostScript 3 Unit Type C7500                     | 414000    | 216-7192  | D378         | U               |
| LCT                   | RT4000 A3/12 x 18 LCT                            | 413965    | 216-7193  | D350         | U               |
| Fax Option            | Fax Option Type C7500                            | 413968    | 216-7194  | D356         | U               |
| G3 Interface          | Fax Option Type C7500                            | 413971    | 216-7195  | D357         | U               |
| File Format Converter | File Format Converter Type E                     | 414007    | 216-7196  | D377         | U               |
| Wireless              | IEEE 802.11a/g Type J                            | 414008    | 216-7197  | D377-01      | U               |
| Copy Data Security    | Copy Data Security Unit Type F                   | 413985    | 216-7198  | B829-07      | C (D009)        |
| DOSS                  | Disk Overwrite Security System Type H            | 414002    | 2167-199  | D377-06      | U               |
| Browser               | Web Browser Type D                               | 414173    | 216-7200  | D377-17      | U               |
| Java VM               | Java VM Card Type F                              | 414004    | 216-7201  | D377-12      | U               |
| HDD Encryption        | HDD Encryption Type A                            | 414021    | 216-7202  | D377-16      | C (D009)        |
| Tab Sheet             | Tab Sheet Holder Type 3260                       | 412203    | 216-7112  | B499-04      | C (B132)        |

# Product Support Guide

## D014 / D015

| Item                          | Description                               | EDP Code  | Lanier ID | Product Code | Common / Unique |
|-------------------------------|---|-----------|-----------|--------------|-----------------|
| Holder                        |   |           |           |              |                 |
| 1 bin Tray                    | Copy Tray 2075                            | 412190    | 216-7113  | B756         | C (B132)        |
| LCT                           | RT43 LCT                                  | 411182    | 481-0534  | B473         | C (B132)        |
| LCT Adapter                   | LCT Adapter Type B                        | 412204    | 216-7114  | B699         | C (132)         |
| LG Kit for RT43               | Legal Unit for RT 43 Type 1075            | 411187    | 481-0534  | B474         | C (B132)        |
| DLT Tray Kit                  | A3/11 x 17 Tray Type 2105                 | 411398    | 481-0678  | B331         | C (B132)        |
| Punch Unit                    | Punch Unit Type 3260                      | 412209    | 216-7116  | B702         | C (B132)        |
| Jogger Unit                   | Jogger Unit Type 3260                     | 412212    | 216-7117  | B703         | C (B132)        |
| Finisher                      | SR5000 100 Sheet Finisher                 | 412981    | 479-1712  | B830-17      | C (B132)        |
| Punch                         | Punch Unit Type 5000                      | 412983    | 481-7052  | B831         | C (B234)        |
| Cover Interposer              | Cover Interposer Type 3260                | 412213    | 216-7118  | B704         | C (B132)        |
| Dual Source Interposer CI5000 | 2 Source Cover Interposer                 | 412976    | 4817051   | B835         | C (B234)        |
| 9-bin Mailbox                 | CS391 Mailbox                             | 412191    | 216-1229  | B762         | C (B234)        |
| Z Fold Unit                   | Z Folding Unit ZF4000                     | 412805    | 479-1714  | B660         | C (B234)        |
| Bluetooth                     | Bluetooth Type 3245                       | 412866    | 216-7092  | B826         | C (B132)        |
| Copy Connect                  | Copy Connector Type 3260                  | 412415    | 216-7127  | B328         | C (B132)        |
| Ethernet                      | Gigabit Ethernet Type B                   | 414204    | 216-7203  | D377-21      | U               |
| FAX Memory                    | FAX Memory (SAF)                          | 001342MIU | 481-0174  | G578         | C (B209)        |
| Key Counter Interface         | Key Counter I/F Unit 20pin (Type A)       | 413012    | 2167186   | B870         | C (B222)        |
| Key Counter Bracket           | Key Counter Bracket Type 1027             | 412537    | 481-0478  | B452         | C (B132)        |
| Key Card Bracket              | Key Card Bracket Type B                   | 412279    | 216-7122  | B498         | C (B132)        |
| IEEE 1284                     | IEEE 1284 Type A                          | 411699    | 481-0786  | B679-17      | C (B132)        |
| BK5010                        | Plockmatic Bookletmaker                   | 413101    | 479-1720  | -            | -               |
| CF5010                        | Plockmatic Cover Feeder                   | 413102    | 481-7078  | -            | -               |
| TR5010                        | Plockmatic Trimmer                        | 413103    | 481-7076  | -            | -               |
| BF5010                        | Plockmatic Book Folder (requires trimmer) | 413104    | 481-7077  | -            | -               |
| BK5010 Rail Unit              | Plockmatic Rail Unit                      | 413105    | 481-7079  | -            | -               |

# Product Support Guide

## D014 / D015

| Item  | Description         | EDP Code  | Lanier ID | Product Code | Common / Unique |
|---|---------------------|-----------|-----------|--------------|-----------------|
| BK5010<br>Staples                                 | Staples             | 411476    | 116-7119  | -            | -               |
| GBC   | GBC StreamPunch III | 414387    | 479-1745  | -            | -               |
| GBC Die Set<br>3 Hole<br>(Ring Binder)            | Die Set             | 001450MIU | 481-0736  | -            | -               |
| GBC Die Set<br>11 Hole<br>(Velobind)              | Die Set             | 001451MIU | 481-0737  | -            | -               |
| GBC Die Set<br>19 Hole<br>(Cerlox)                | Die Set             | 001452MIU | 481-0738  | -            | -               |
| GBC Die Set<br>21 Hole<br>(Twin Loop<br>Wire 2:1) | Die Set             | 001453MIU | 481-0739  | -            | -               |
| GBC Die Set<br>32 Hole<br>(Twin Loop<br>Wire 3:1) | Die Set             | 001454MIU | 481-0740  | -            | -               |
| GBC Die Set<br>44 Hole<br>(Color Coil)            | Die Set             | 001455MIU | 481-0741  | -            | -               |
| GBC Die Set<br>32 Hole<br>(Pro Click)             | Die Set             | 002493MIU | 481-7066  | -            | -               |

**Note:**

Additional information about the BK5010 can be found in the BK5010 Product Support Guide. (rfg022914)

# Product Support Guide

## D014 / D015

### Supplies/Yields

| Name/Description                                 | Ricoh Product Code | Savin Product Code | Lanier Product Code | Memo for RLA only Gestetner Product Code | Yield (CTN) |
|--|--------------------|--------------------|---------------------|--|-------------|
| Toner MP C7500 (Black) *2                        | 841084             | 841092             | 4800459             | 841088                                   | 43,200*     |
| Toner MP C7500 (Cyan) *2                         | 841085             | 841093             | 4800460             | 841089                                   | 21,600*     |
| Toner MP C7500 (Magenta) *2                      | 841086             | 841094             | 4800461             | 841090                                   | 21,600*     |
| Toner MP C7500 (Yellow) *2                       | 841087             | 841095             | 4800462             | 841091                                   | 21,600*     |
| Developer (Black)                                | D0149640           | D0149640           | D0149640            | D0149640                                 | 450K*       |
| Developer (Cyan)                                 | D0149660           | D0149660           | D0149660            | D0149660                                 | 450K*       |
| Developer (Magenta)                              | D0149670           | D0149670           | D0149670            | D0149670                                 | 450K*       |
| Developer (Yellow)                               | D0149680           | D0149680           | D0149680            | D0149680                                 | 450K*       |
| Drum   | D0149510           | D0149510           | D0149510            | D0149510                                 | 450K        |
| Staple Type K for SR4010/4020                    | 410801             | 9858               | 410801              | -  | 5,000       |
| Staple Refill Type K for SR4010/4020             | 410802             | 9859               | 410802              | -  | 15,000      |
| Staple CSC760A for SR4010/4020                   | -                  | -                  | -                   | 89858                                    | 5,000       |
| Staple Refill CSC760B for SR4010/4020            | -                  | -                  | -                   | 89859                                    | 15,000      |
| Staple Type L for SR4020 (Saddle Stitch)         | 411240             | 9885               | 480091              | -  | 2,000       |
| Staple Refill Type L for SR4020 (Saddle Stitch)  | 411241             | 9886               | 480092              | -  | 8,000       |
| Staple CSC860A for SR4020 (Saddle Stitch)        | -                  | -                  | -                   | 89885                                    | 2,000       |
| Staple Refill CSC860B for SR4020 (Saddle Stitch) | -                  | -                  | -                   | 89886                                    | 8,000       |
| Staple Type M for SR5000                         | 413013             | 9908               | 4800383             | 89908                                    | 5,000       |
| Staple Refill Type M for SR5000                  | 413026             | 9909               | 480383              | 89909                                    | 25,000      |

Note:

\* A4, 5% chart is used to measure the above yield. Storage period for toner is max. 1 year.

\*2 Newly developed 10% developer mixture. Not compatible with the B132 Series. See the 'Differences Between the D014/D015 & B132/B200' section of the Service Manual for complete details.

# Product Support Guide

## D014 / D015

### Paper

#### Recommended Plain Paper

Not available at this time

#### Recommended Special Paper

Special Paper

| Type          | Brand         | Product Name              | Media Type   | Size  | Weight        |
|---------------|---------------|---------------------------|--------------|-------|---------------|
| Special Paper | IP Hammermill | HML Color Copy Gloss      | Coated gloss | DLT   | 32lb          |
|               | IP Hammermill | Ultra Premium Photo Laser | Coated gloss | LT    | 8pt/180gsm    |
|               | IP Hammermill | Color Copy Gloss          | Coated gloss | LT    | 80lb.cover    |
|               | Domter        | Microprint Coated Laser   | Coated gloss | DLT   | 32lb          |
|               | Domter        | Microprint Coated Laser   | Coated gloss | LT    | 32lb          |
|               | Domter        | Microprint Coated Laser   | Coated gloss | DLT   | 80lb.cover *1 |
|               | Mohawk        | Color Copy Gloss          | Coated gloss | DLT   | 32lb          |
|               | Mohawk        | Color Copy Gloss          | Coated gloss | LT    | 32lb          |
|               | Mohawk        | Color Copy Gloss          | Coated gloss | DLT   | 90lb          |
|               | Xerox         | Color Elite Gloss         | Coated gloss | LT    | 100lb.Text    |
|               | Xerox         | Color Elite Gloss         | Coated gloss | 12x18 | 100lb.Text    |
|               | IP Carolina   | C2S Digital               | Thick paper  | DLT   | 10pt/ 260gsm  |

#### Notes:

- The "Feeding quality using the DLT LCT" was tested with air assist. To activate the air assist function, select "Thick Paper 2" or "Thick Paper 3" mode. For lighter weighted paper, select "Special Paper 2" mode.
- If a misfeed occurs when using either the mainframe paper bank or LT LCT, please fan the paper. If the problem continues, try using the bypass tray setting a sheet at a time.

\*1 Poor fusing may occur, use "Thick Paper 3".

# Product Support Guide

## D014 / D015

### Option Compatibility

| Hardware Options         | 1 | 2 | 3 | 4 | 5 | 6 | 7 | 8 | 9 | 10 | 11 | 12 | 13 | 14 | 15 | 16 | 17 | 18 |
|--------------------------|---|---|---|---|---|---|---|---|---|----|----|----|----|----|----|----|----|----|
| 1 11"x17" / A3 Tray      |   |   |   |   |   |   |   |   |   |    |    |    |    |    |    |    |    |    |
| 2 Tab Sheet Unit         |   |   |   |   |   |   |   |   |   |    |    |    |    |    |    |    |    |    |
| 3 A3/DLT LCT             |   |   |   | X |   |   |   |   |   |    |    |    |    |    |    |    |    |    |
| 4 A4/LT LCT              |   |   | X |   | M |   |   |   |   |    |    |    |    |    |    |    |    |    |
| 5 A4/LT LCT Adapter      |   |   |   | M |   |   |   |   |   |    |    |    |    |    |    |    |    |    |
| 6 LG Unit for LCT        |   |   |   | M | M |   |   |   |   |    |    |    |    |    |    |    |    |    |
| 7 Copy Tray              |   |   |   |   |   |   | X | X | X |    |    |    |    |    | X  | X  | X  | X  |
| 8 50 Staple Finisher     |   |   |   |   |   |   | X | X | X |    |    |    |    |    |    |    | X  | X  |
| 9 Saddle Stitch Finisher |   |   |   |   |   |   | X | X | X |    |    |    | X  |    |    |    | X  |    |
| 10 100 Staple Finisher   |   |   |   |   |   |   | X | X | X |    | M  | X  |    |    | X  |    |    |    |
| 11 SR5000                |   |   |   |   |   |   |   |   |   | M  |    |    |    |    | X  |    |    |    |
| 12 PU for 50 staple      |   |   |   |   |   |   | 1 | 1 | X | X  |    | X  |    |    |    | X  |    |    |
| 13 PU for SR5000         |   |   |   |   |   |   | X | X | M |    | X  |    |    |    | X  |    |    |    |
| 14 Jogger Unit 50 staple |   |   |   |   |   |   | 1 | 1 |   |    |    |    |    |    |    |    |    |    |
| 15 9-bin Mailbox         |   |   |   |   |   |   | X | 1 | 1 | X  | X  |    | X  |    |    | X  | X  |    |
| 16 Cover Interposer      |   |   |   |   |   |   | X | 1 | 1 | X  | X  |    | X  |    | X  |    |    |    |
| 17 2 Source Interposer   |   |   |   |   |   |   | X | X | X |    |    |    |    |    | X  | X  |    |    |
| 18 Z folding unit        |   |   |   |   |   |   | X | X | 1 | 1  |    |    |    |    |    |    |    |    |

(X) Cannot be installed together

(M) Must be installed together

(1) Must be select one of these options & installed together

| Software Option          | 19 | 20 | 21 | 22 | 23 | 24 | 25 | 26 | 27 | 28 | 29 | 30 | 31 | 32 | 33 |
|--------------------------|----|----|----|----|----|----|----|----|----|----|----|----|----|----|----|
| 19 Printer/Scanner Unit  |    |    |    |    |    |    |    |    |    |    |    |    |    |    |    |
| 20 PostScript 3          | M  |    |    |    |    |    |    |    |    |    |    |    |    |    |    |
| 21 IEEE1284 Centro       | M  |    |    | X  | X  | X  |    |    |    |    |    |    |    |    |    |
| 22 Wireless LAN          | M  |    | X  |    | X  | X  |    |    |    |    |    |    |    |    |    |
| 23 Bluetooth Unit        | M  |    | X  | X  |    | X  |    |    |    |    |    |    |    |    |    |
| 24 Gigabit Ethernet      | M  |    | X  | X  | X  |    |    |    |    |    |    |    |    |    |    |
| 25 HDD Overwrite Unit    |    |    |    |    |    |    |    |    |    |    |    |    |    |    |    |
| 26 Copy Data Security    |    |    |    |    |    |    |    |    |    |    |    |    |    |    |    |
| 27 HDD Encryption Unit   |    |    |    |    |    |    |    |    |    |    |    |    |    |    |    |
| 28 FAX Option            |    |    |    |    |    |    |    |    |    |    |    |    |    |    |    |
| 29 G3 Interface Unit     |    |    |    |    |    |    |    |    |    | M  |    |    |    |    |    |
| 30 Copy Connector        |    |    |    |    |    |    |    |    |    |    |    |    |    |    |    |
| 31 Java VM Card          |    |    |    |    |    |    |    |    |    |    |    |    |    |    |    |
| 32 File Format Converter |    |    |    |    |    |    |    |    |    |    |    |    |    |    |    |
| 33 Browser Unit          |    |    |    |    |    |    |    |    |    |    |    |    |    |    |    |

# Product Support Guide

## D014 / D015

### Branding Information

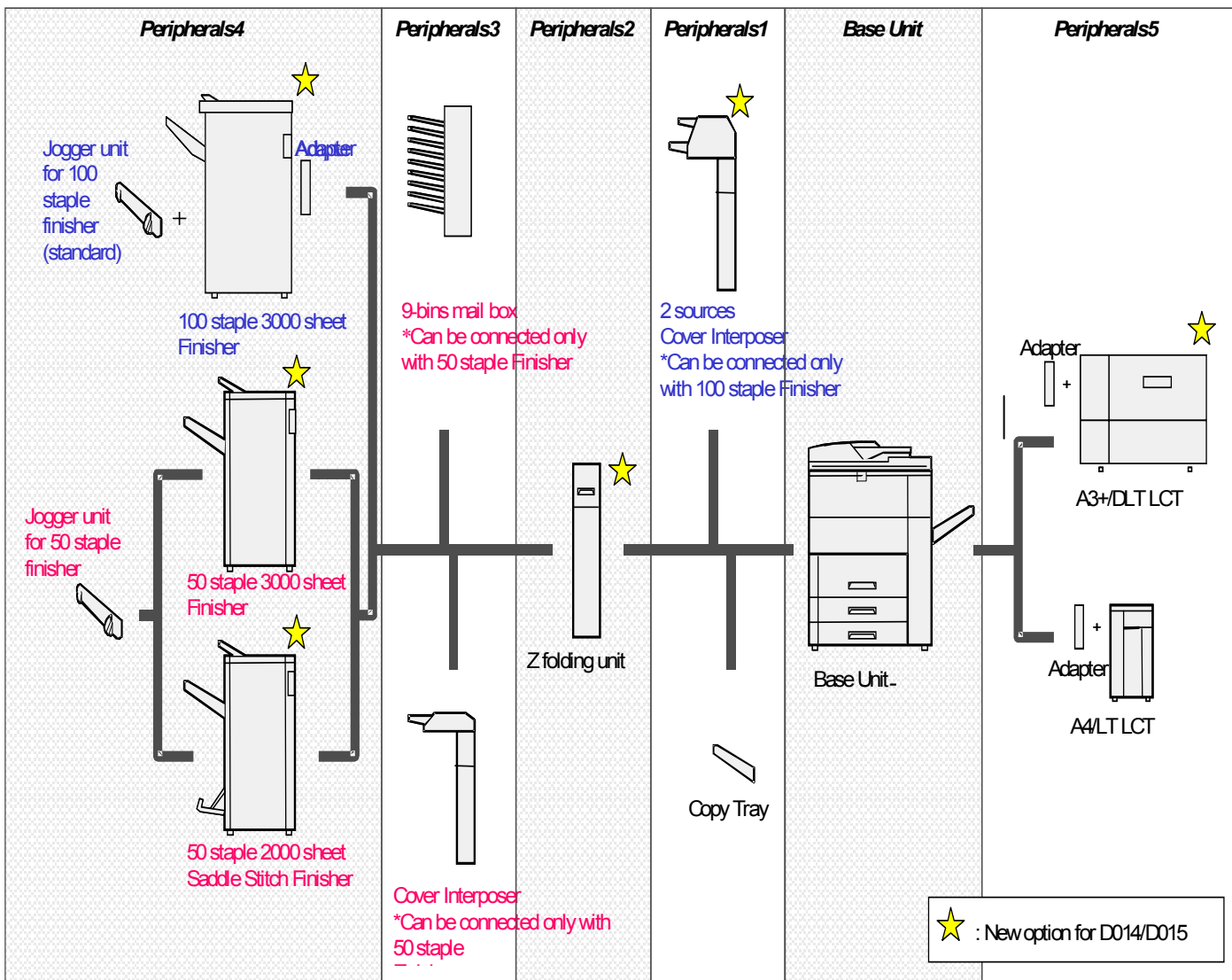
Branding is required as the machines are shipped as a generic version.

**Ricoh version machines:** You must attach the model label (provided) to the front cover.

**Savin/Lanier:** You must attach the model label (provided) to the front cover and set the Plug and Play name with SP 5-907.

### Configuration

#### Main Frame Configuration





# Product Support Guide

## D014 / D015

### MFP Options

#### Hardware Option

|  |  |
|--|--|
|  | Punch Unit for SR5000 NA 2/3             |
|  | Punch Unit for SR5000 EU 2/4             |
|  | Punch Unit for SR5000 SD 4               |
|  | Punch Unit for 50 staple Finisher NA 2/3 |
|  | Punch Unit for 50 staple Finisher EU 2/4 |
|  | Punch Unit for 50 staple Finisher SD 4   |
|  | LG Unit for LT/A4 LCT                    |
|  | A3/DLT tray kit                          |
|  | Copy connector                           |
|  | Tab Sheet Unit                           |
|  | File Format Converter                    |

#### Security Option

|  |                             |
|--|-----------------------------|
|  | HDD Overwrite Security Kit  |
|  | Unauthorized copy Gard Unit |
|  | HDD Encryption Unit         |

|  |                        |
|--|------------------------|
|  | New option             |
|  | Common to other models |
|  | Common to B132/B200    |

#### Controller Option

|  |  |
|--|--|
|  | Printer/Scanner Unit (Inc. PictBridge) |
|  | PostScript 3                           |

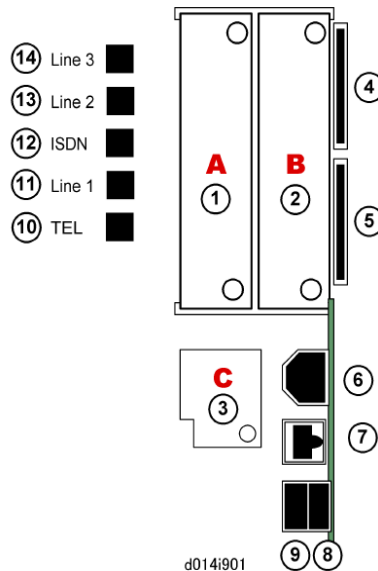
#### Network Option

|  |                          |
|--|--------------------------|
|  | IEEE802.11a/b/g          |
|  | IEEE1284                 |
|  | Bluetooth interface unit |

#### Others

|  |                     |
|--|---------------------|
|  | Browser Unit        |
|  | JAVA VM Card        |
|  | FAX Unit            |
|  | G3 Interface unit   |
|  | NRS                 |
|  | Key Counter Bracket |
|  | Key Card Bracket    |
|  | Key card I/F Option |

### MFP Option Board Slot / SD Card Assignments



# Product Support Guide

## D014 / D015

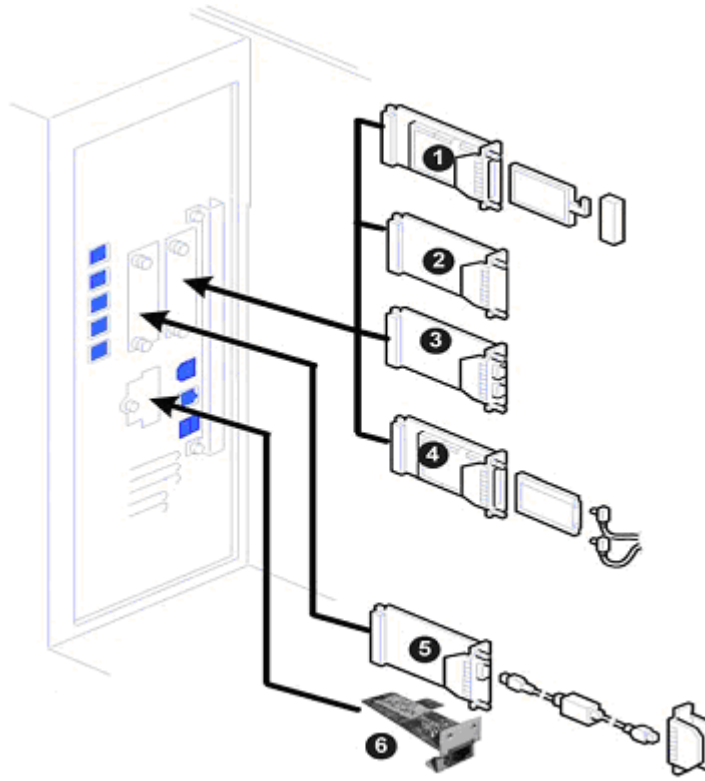
| #  | Slot     | Option Name   |
|----|----------|---|
| 1  | A        | Copy Connector (B328) only  |
| 2  | B        | • IEEE1284 (B679) • File Format Converter (D377) • IEEE802.11a/g (D377)<br>• Bluetooth (B826)   |
| 3  | C        | Gigabit Ethernet (D377). The EFI (Fiery) controller is connected through Gigabit Ethernet.  |
| 4  | Upper    | • Browser Unit (D377) • Data Overwrite Security (D377) • HDD Encryption Unit (D377)<br>• PostScript3 (D378) • Printer/Scanner Unit (D376)   |
| 5  | Lower    | • VM Card (D377)<br>Also used as the Service Slot for firmware updates, moving applications to another SD card with SP5873 (Apli Move).   |
| 6  | USB 2.0  | Built-in for connection of USB devices.   |
| 7  | 100BaseT | Standard LAN connection point.  |
| 8  | USB Ch1  | For future use (PictaBridge, other application devices).<br>Note: These connection points are covered with a plate. Remove the screw, rotate the plate and reattach it with the screw so that the slots are exposed, and then attach the connector. |
| 9  | USB Ch 2 |   |
| 10 | TEL      | Jack for telephone connection   |
| 11 | Line 1   | Jack for main telephone line from the outside for connection to Fax Option (D356).  |
| 12 | ISDN     | Jack for ISDN connection Japan Only   |
| 13 | Line 2   | Jack for a 2nd line connection to Fax Interface Unit (D357) (G3) when this option is installed.   |
| 14 | Line 3   | Not used. (G4 is not available for installation outside Japan at this time.)  |

### Important Notes

- Only two SD Card slots are available for applications.
- The VM card must be inserted in the lower slot.
- Other applications must be inserted in the upper slot.
- If more than one application is required in the upper slot, the applications must be moved to the same SD card with SP5873-1.
- The PostScript3 application cannot be moved to another card. However, other applications can be moved to the PostScript3 SD card.
- The VM Card must be inserted in the lower slot. This is because it requires about 22 MB of disk space, and cannot be merged onto the SD card in the upper slot if that card already contains all the other applications.
- If the customer needs more than one application in the upper slot, the applications must be moved to one SD card. (See "Moving Applications to One SD Card" in this section)

# Product Support Guide

## D014 / D015



| #                     | Slot | Option Name  |
|-----------------------|------|--|
| 1                     | B    | B826 Bluetooth   |
| 2                     | B    | D377 File Format Converter   |
| 3                     | B    | B679 IEEE1284  |
| 4                     | B    | D377 IEEE802.11a/g   |
| 5                     | A    | B328 Copy Connector  |
| 6                     | C    | D377 Gigabit Ethernet*1  |
| Inside Controller Box |      | B828 Copy Data Security Unit Type F (not shown, is attached to the IPU inside the controller box.) |

\*1: The EFI (Fiery) controller (when available) is connected through Gigabit Ethernet.

Note: Items 1 to 5 must be in the same slot. Only one of these cards can be installed at the same time.

# Product Support Guide

## D014 / D015

### Main Frame Comparison

| Feature          |                             | B132/B200  | D014/D015  |
|------------------|-----------------------------|--|--|
| General Spec.    | Copy / Print Speed          | 45/60 and 55/60  | 55/60 and 70/75  |
|                  | Warm-up Time                | 300 seconds  | 75 seconds   |
|                  | FCOT                        | 6.5/7.5 seconds  | 4.9/6.4 seconds  |
|                  | Self check duration         | 60 seconds   | 15 seconds   |
|                  | Toner                       | Mechanically Ground  | Chemical   |
|                  | Cartridge Yield             | 18/36K   | 21.6/43.2K   |
|                  | Op Panel                    | Monochrome LCD   | Color VGA  |
|                  | Security                    | DOSS   | DOSS; Color Use Restriction; Copy Data Security; Encrypted PDF transmission        |
| Scanner Features | Scanner Speed               | 45/60 ipm  | 60/75 ipm  |
|                  | High compression PDF        | No   | Yes  |
|                  | Preview transmission before | No   | Yes  |
| Fax              | Fax option                  | No   | Yes  |
| Doc Server       | Thumbnail preview           | No   | Yes  |
| Printing         | Job Type                    | Sample, Locked   | Sample, Locked, Stored Print/shared, Store and Print/shared                        |
|                  | Mail to Print               | No   | Yes  |
|                  | Pict Bridge Support         | No   | Yes  |
| Paper Handling   | Paper Weight                | 34lb bond/140lb index (127/256 gsm)                                    | 90lb index/110lb cover (163/300gsm)  |
|                  | Max Paper Sizes             | Tray 1: 11 x17<br>Tray2/3: 12 x 18<br>Bypass: 12 x 18<br>LCT: 8.5 x 14 | Tray 1: 11 x17<br>Tray2/3: 12 x 18<br>Bypass: 12 x 18<br>LCT: 12 x 18              |
|                  | Interposer                  | Single source Interposer   | Dual or single source Interposer   |
| Finishing        |                             | 50 sheet; 100 sheet finisher; booklet finisher; GBC; Plockmatic BK5010 | Z- folding; 50 sheet; 100 sheet finisher; booklet finisher; GBC; Plockmatic BK5010 |

**Note:**

The GBCIII and BK5010 can be installed onto the D014/D015. However, custom Engine firmware must be installed in order for these to work.

Also, at this time the GBC and BK5010 will NOT work with the Fiery Controller.

# Product Support Guide

## D014 / D015

### Installation

#### Installation Requirements

|   |  |
|---|--|
| Temperature Range:  | 10° C to 32° C (50° F to 89.6° F)  |
| Humidity Range:   | 15% to 80% RH  |
| Ambient Illumination:   | Less than 1,500 lux (do not expose to direct sunlight)   |
| Ventilation:  | 3 times/hr/person  |
| Ambient Dust:   | Less than 0.10 mg/m <sup>3</sup>   |
| Avoid areas exposed to sudden temperature changes:  |  |
|   | <ul style="list-style-type: none"> <li>• Areas directly exposed to cool air from an air conditioner.</li> <li>• Areas directly exposed to heat from a heater.</li> </ul> |
| Do not place machine where it will be exposed to corrosive gas or vapor.                                |  |
| Do not install the machine at any location over 2,000m (6,500 ft.) above sea level.                     |  |
| Place the machine on a strong and level base. Inclination on any side should be no more than 5mm (0.2") |  |
| Do not place the machine where it may be subject to strong vibrations.                                  |  |
| Machine level   | • Front to back: within 5mm (0.2") of level  |
|   | • Right to left: within 5mm (0.2") of level  |

#### Power Requirements

Line voltage level:

**D014: 120V 60 Hz 20A**

**D015: 208 to 240V 50~60 Hz 20A**

Permissible voltage fluctuation: +/-10%

Never set anything on the power cord.

**D014 (MP C6000) Only**

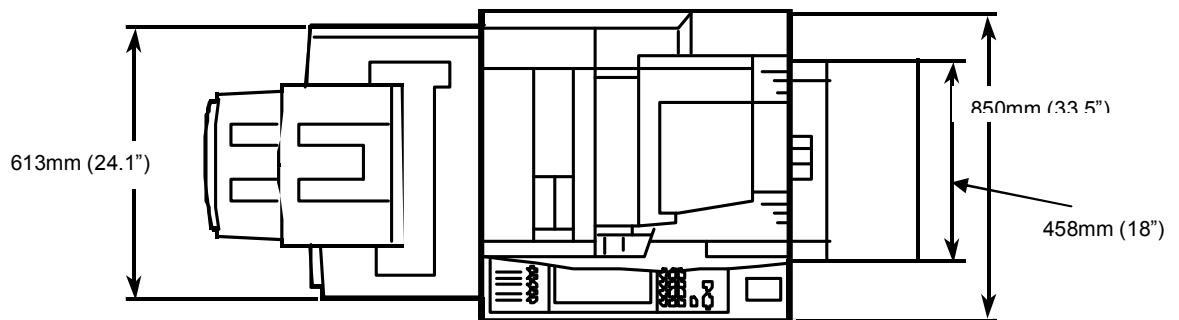
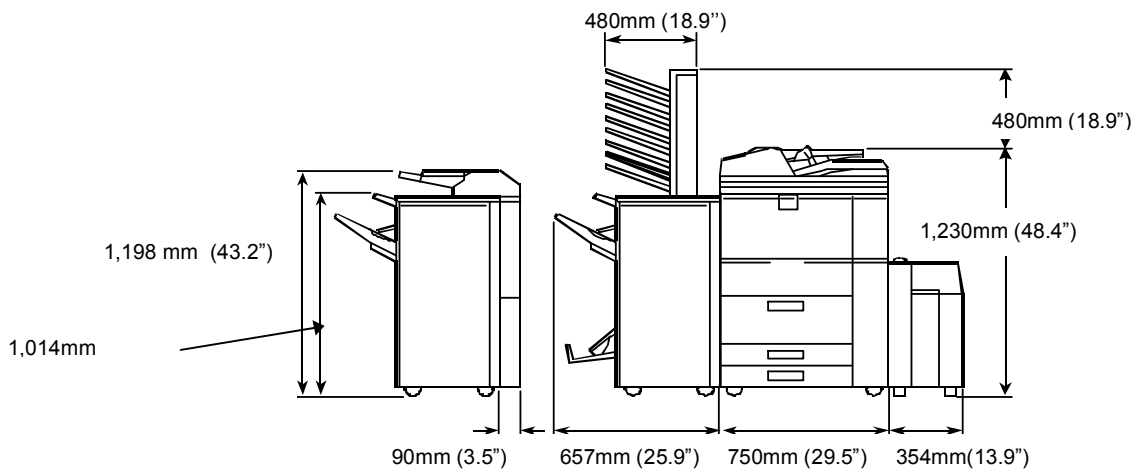
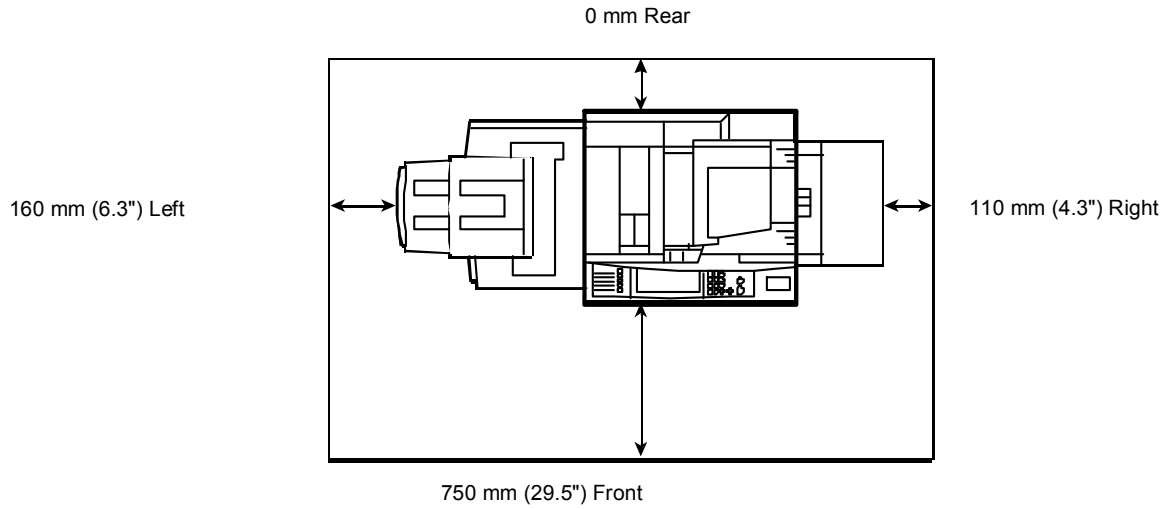
**D015 (MP C7500) Only**



# Product Support Guide

## D014 / D015

### Space Requirements



# Product Support Guide

## D014 / D015

### Power Consumption / Noise Emission

#### Power Consumption

| Mode                                | Power Consumption                            |
|-------------------------------------|--|
| Auto Off Timer<br>-Off Mode-        | D014: less than 10W<br>D015: less than 10W   |
| Energy Save Timer<br>-Sleep Mode-   | D014: less than 236W<br>D015: less than 294W |
| Panel Off Timer<br>-Low Power Mode- | D014: less than 400W<br>D015: less than 400W |

#### Noise Emission

| Mode    | Model     | Target                               |
|---------|-----------|--------------------------------------|
| Standby | D014/D015 | 54 dB (A) or less / 56 dB(A) or less |
| Copying | D014/D015 | 71dB(A) or less / 73 dB(A) or less   |

NOTE: The above measurements were made in accordance with ISO7779. The measurements were taken from the normal position of the operator.

#### Installation Times

| Unit             | Installation Time (Minutes) | Unit             | Installation Time (Minutes) |
|------------------|-----------------------------|------------------|-----------------------------|
| Finisher         | 15 minutes                  | Printer/Scanner: | 5 minutes                   |
| Booklet Finisher | 15 minutes                  | NIB:             | 5 minutes                   |
| Punch Unit       | 10 minutes                  | IEEE 1394:       | 5 minutes                   |
| Cover Interposer | 15 minutes                  | USB 2.0:         | 5 minutes                   |
| By-pass Tray     | 15 minutes                  | Bluetooth:       | 5 minutes                   |
| A3/DLT Kit       | 15 minutes                  | Wireless LAN:    | 5 minutes                   |
| Z folding unit   | 15 minutes                  | MLB              | 5 minutes                   |
| A4/LT LCT        | 15 minutes                  | Gigabit Ethernet | 5 minutes                   |
| A3/DLT LCT       | 15 minutes                  | -                | -                           |

# Product Support Guide

## D014 / D015

### Storage/Transportation

| Conditions for Storage & Transportation |             |          |                |
|---|-------------|----------|----------------|
|   | Temperature | Humidity | Storage Period |
| Toner                                   | Under 35°C  | 15~80%   | 12 months      |
|   | 36 ~ 40°C   | 15~80%   | 1 month        |
| Developer                               | 41 ~ 50°C   | 15~80%   | 12 Hours       |

Remarks:

\* Store in a dry, dark place where temperature does not exceed 40°C on continuance storage/transportation conditions.

\* Do not store more than 12 hours under the temperature between 41 and 50 °C.

\*Do not store more than a month under the temperature between 36 and 40 °C.

### Parts / Special Tools / Maintenance

#### PM Parts / Yields

#### Mainframe

**Unique/Common**  
**U:** Unique for this model  
**C:** Common with listed model

| Part Number                 | Description                      | Q'ty/<br>Unit | PM<br>Interval (copies) | Unique or<br>Common |
|-----------------------------|----------------------------------|---------------|-------------------------|---------------------|
| <b>Photo Conductor Unit</b> |                                  |               |                         |                     |
| D0149510                    | OPC Drum                         | 4             | 450k                    | U                   |
| D0142441                    | Drum Charge Roller Assy          | 3             | 150k                    | U                   |
| D0142391                    | Drum Charge Wire Assy            | 1             | 200k                    | U                   |
| D0142352                    | Drum Cleaning Blade              | 3             | 150k (C, M, Y)          | U                   |
|                             |                                  | 1             | 200k (K)                |                     |
| D0142368                    | Drum Lubricant Supply Blade      | 3             | 150k (C, M, Y)          | U                   |
|                             |                                  | 1             | 200k (K)                |                     |
| D0142321                    | Drum Lubricant Bar               | 3             | 150k (C, M, Y)          | U                   |
|                             |                                  | 1             | 200k (K)                |                     |
| D0142335                    | Drum Lubricant Supply Brush      | 3             | 300k (C, M, Y)          | U                   |
|                             |                                  | 1             | 400k (K)                |                     |
| D0142338                    | Joint PCU                        | 3             | 300k (C, M, Y)          | U                   |
|                             |                                  | 1             | 400k (K)                |                     |
| D0142337                    | Drum Lubricant Supply Brush Gear | 3             | 300k (C, M, Y)          | U                   |
|                             |                                  | 1             | 400k (K)                |                     |
| D0142345                    | Idle Gear 1                      | 3             | 300k (C, M, Y)          | U                   |
|                             |                                  | 1             | 400k (K)                |                     |
| D0142346                    | Idle Gear 2                      | 3             | 300k (C, M, Y)          | U                   |
|                             |                                  | 1             | 400k (K)                |                     |
| D0142333                    | Drum Cleaning Brush Gear         | 3             | 300k (C, M, Y)          | U                   |
|                             |                                  | 1             | 400k (K)                |                     |



# Product Support Guide

## D014 / D015

| Part Number                             | Description                          | Q'ty/<br>Unit | PM<br>Interval (copies) | Unique or<br>Common |
|---|--------------------------------------|---------------|-------------------------|---------------------|
| <b>Photo Conductor Unit (continued)</b> |                                      |               |                         |                     |
| D0142286                                | Waste Toner Collect Gear             | 3             | 300k (C, M, Y)          | U                   |
|   |                                      | 1             | 400k (K)                |                     |
| D0149640                                | Developer Cartridge Black            | 1             | 450k *1                 | U                   |
| D0149660                                | Developer Cartridge Cyan             | 1             | 450k *1                 | U                   |
| D0149670                                | Developer Cartridge Magenta          | 1             | 450k *1                 | U                   |
| D0149680                                | Developer Cartridge Yellow           | 1             | 450k *1                 | U                   |
| <b>Image Transfer Belt Unit</b>         |                                      |               |                         |                     |
| D0146050                                | Image Transfer Belt                  | 1             | 600k                    | U                   |
| D0146455                                | Belt Cleaning Blade                  | 1             | 300k                    | U                   |
| D0146470                                | Belt Cleaning Lubricant Bar          | 1             | 300k                    | U                   |
| D0146507                                | Belt Cleaning Lubricant Supply Blade | 1             | 300k                    | U                   |
| D0146463                                | Belt Cleaning Lubricant Supply Brush | 1             | 300k                    | U                   |
| <b>Paper Transfer Roller Unit</b>       |                                      |               |                         |                     |
| D0146280                                | Paper Transfer Roller                | 1             | 600k                    | U                   |
| D0146265                                | PTR Cleaning Blade                   | 1             | 300k                    | U                   |
| D0146260                                | PTR Lubricant Bar                    | 1             | 300k                    | U                   |
| B1326268                                | Paper Discharge Plate                | 1             | 300k                    | C                   |
| <b>Fusing Unit</b>                      |                                      |               |                         |                     |
| D0144090                                | Fusing Belt                          | 1             | 600k                    | U                   |
| AE010065                                | Hot Roller                           | 1             | 300k                    | U                   |
| AE020165                                | Pressure Roller                      | 1             | 600k                    | U                   |
| AE042080                                | Pressure Roller Cleaning Roller      | 1             | 300k                    | C                   |
| AE040042                                | Oil Supply Roller                    | 1             | 300k                    | C                   |
| AE030049                                | Pressure Roller Bearing              | 2             | 600k                    | C                   |
| <b>Filters</b>                          |                                      |               |                         |                     |
| D0143586                                | Dust Fiter                           | 3             | 450k                    | U                   |
| D0146978                                | Dust Filter                          | 2             | 300k                    | U                   |
| B1322435                                | Dust Filter                          | 3             | 450k                    | C                   |
| B2473340                                | Filter Development                   | 4             | 450k                    | C                   |
| <b>Waste Toner Bottle</b>               |                                      |               |                         |                     |
| B1326609                                | Waste Toner Bottle                   | 1             | 150k                    | C                   |

**Note:** \*1 Significantly higher yields over the B132 Series developer. See the '**Differences Between the D014/D015 & B132/B200**' section of the Service Manual for complete details.

# Product Support Guide

## D014 / D015

### PM Parts / Yields cont Options

#### Auto Reverse Document Feeder

**Unique/Common**  
**U:** Unique for this model  
**C:** Common with listed model

| Part Number | Description    | Q'ty/<br>Unit | PM<br>Interval | Unique or<br>Common |
|-------------|----------------|---------------|----------------|---------------------|
| A8061295    | Feed Belt      | 1             | 120k           | C                   |
| B4772225    | Pick-Up Roller | 1             | 120k           | C                   |
| A8592241    | Reverse Roller | 1             | 120k           | C                   |
| B6523121    | Transport Belt | 1             | 120k           | U                   |

### Special Tools & Lubricants

| Item | Part Number | Description                                    | Q'ty | Unique or Common |
|------|-------------|--|------|------------------|
| 1    | B6455010    | SD Card  | 1    | C (Model B070)   |
| 2    | B6456700    | PCMCIA Card Adapter                            | 1    | C (Model B070)   |
| 3    | B6456800    | USB Reader/Writer                              | 1    | C (Model B070)   |
| 4    | G0219350    | Loop Back Connector                            | 1    | C (Model B064)   |
| 5    | C401 9503   | 20X Magnification Scope                        | 1    | C (General)      |
| 6    | A2579300    | Grease Barrierta – S552R                       | 1    | C (General)      |
| 7    | 52039501    | Silicon Grease G-501                           | 1    | C (General)      |
| 8    | B1329700    | Lubricant Powder                               | 1    | C (Model B132)   |
| 9    | A0929503    | C4 Color Test Chart (3 pcs/set)                | 1    | C (General)      |
| 10   | VSST9501    | Connection Kit Color Test Chart (3 sheets/set) | 1    | C (Model B132)   |

### Target Reliability

| Model                  | D014  | D015  |
|------------------------|-------|-------|
| Average Monthly Volume | 30kp  | 50kp  |
| Max. Monthly Volume    | 150kp | 150kp |
| PM Interval            | 150K  | 150K  |

# Product Support Guide

## D014 / D015

### Specifications / Documentation

| Configuration             |                      | Console  | Remarks   |
|---------------------------|----------------------|--|---|
| Dimension W x D x H       |                      | 750 x 850 x 1050mm<br>750 x 850 x 1230mm   | Exclude ARDF<br>Include ARDF  |
| Weight                    |                      | Less than 298kg  | Include ARDF  |
| Original Scanning         |                      | Flatbed with moving 3-line CCD array<br>Image-scanning   |   |
| Copy Process              |                      | 4-drum dry electrostatic transfer<br>system with internal transfer belt                              |   |
| ARDF                      |                      | Standard   |   |
| Engine Speed              | D014                 | FC 55cpm / BK 60cpm  |   |
|                           | D015                 | FC 70cpm / BK 75cpm  |   |
| Warm-up Time              |                      | D014: Less than 90 sec<br>D015: Less than 75 sec   |   |
| First Copy Output<br>Time | FC                   | D014/D015: less than 7.5 sec. / 6.4<br>sec.  |   |
|                           | BK                   | D014/D015: less than 5.7 sec. / 4.9<br>sec.  |   |
| Original Type             |                      | Sheet / Book / Object  |   |
| Max Original Size         |                      | A3 / 11"x 17"  |   |
| Resolution                | Copy                 | 600dpi 4bit  |   |
|                           | Print                | 600dpi 4bit  |   |
|                           | Scan/Send            | 600dpi 8bit  |   |
| Image-able Size           | Default              | 297 (+4) x 457mm   | -Image-able size depends on<br>the application.<br>-(+4) is out of guarantee  |
|                           | Max                  | 297 (+4) x 600mm   | -Setting change via SP mode<br>is required.<br>-You cannot select the Max<br>setting, if you use SR5000.<br>-Image-able size depends on<br>applications.<br>-(+4) is out of guarantee |
| Magnification             | NA Model             | 7 Reduction & 5 Enlargement<br>93%, 85%, 78%, 73%, 65%, 50%,<br>25%, 121%, 129%, 155%, 200%,<br>400% |   |
| Zoom                      |                      | 25-400%  | 1% step   |
| Paper Capacity            | 1 <sup>st</sup> Tray | 1,100 x 2 Sheets   | To be calculated with 80 g/m <sup>2</sup><br>20 lb. Bond paper  |
|                           | 2 <sup>nd</sup> Tray | 550 Sheets   |   |
|                           | 3 <sup>rd</sup> Tray | 550 Sheets   |   |
|                           | Bypass Tray          | 100 Sheets   |   |

# Product Support Guide

## D014 / D015

| Configuration                               |  | Console  | Remarks   |
|---|--|--|---|
|   | Max Capacity                           | 7,400 Sheets   | With 4,000 sheet LCT Option   |
| Original Size Detection<br>-Exposure Glass- | NA Model                               | 11"x17" SEF, 8 1/2"x14" SEF,<br>8 1/2"x11" LEF/SEF       |   |
| Original Size Detection<br>-ARDF-           | NA Model                               | *Please refer to Service Manual                          |   |
| Paper Size                                  | 1 <sup>st</sup> Tray                   | *Please refer to Service Manual                          |   |
|   | 2 <sup>nd</sup> & 3 <sup>rd</sup> Tray |  |   |
|   | Bypass Tray                            |  |   |
|   | Duplex Tray                            |  |   |
| Paper Weight                                | 1 <sup>st</sup> Tray                   | 52.3-216g/m <sup>2</sup> *<br>14lb Bond – 80 lb. Cover   | Maximum paper weigh of 216 g/m <sup>2</sup> (80lb.Cover) is dependant on paper condition. See information about paper condition for the maximum paper weight. |
|   | 2 <sup>nd</sup> Tray                   | 52.3-216g/m <sup>2</sup> *<br>14lb Bond – 80 lb. Cover   |   |
|   | 3 <sup>rd</sup> Tray                   | 52.3-216 g/m <sup>2</sup> *<br>14lb Bond – 80 lb. Cover  |   |
|   | Bypass Tray                            | 52.3-300 g/m <sup>2</sup><br>14 lb. Bond - 110 lb. Cover |   |
|   | Duplex Unit                            | 64-163 g/m <sup>2</sup><br>17 lb. Bond – 90 lb. Index    |   |
| Output Capacity with Copy Tray              |  | 500 Sheet  | A4 / 8 1/2" x 11"   |
| Power Specification                         | NA Model                               | D014: 120V / 20A / 60Hz<br>D015: 208-240V / 12A 60Hz     |   |
| Max Power Consumption                       | NA Model                               | D014: Less than 1920W<br>D015: Less than 2400W           |   |
| Counter                                     | NA Model                               | Electric counter & Mechanical counter<br>x 2             |   |
| Counterfeit Prevention                      |  | Bill Recognition & Invisible Marking<br>Function         |   |

# Product Support Guide

## D014 / D015

### Printer Specifications

| Printer                  |                  |   |  |
|--------------------------|------------------|---|--|
| CPU                      |                  | Intel Pentium-M 1.4GHz  |  |
| RAM                      | Standard         | 1,536MB   |  |
| HDD                      | Standard         | 320GB (160GB x 2)   |  |
| PDL                      | Standard         | RPCS, PCL5c, PCL6   |  |
|                          | Option           | PS3   |  |
| Print Resolution         | Max.             | 600 dpi (4bit)  |  |
| Font                     | Standard         | PCL: TrueType: 10 fonts, Intelli: 35 fonts<br>International fonts: 13 Intellifonts  |  |
|                          | Option           | PS3: 136 Adobe PostScript Type 1 fonts  |  |
| Connectivity             | Host Interface   | Standard  | Ethernet (100 Base-TX/10 base-T )<br>USB Host, USB2.0                          |
|                          |                  | Option  | IEEE1284, Wireless LAN (IEEE802.11a, b, g), Bluetooth,<br>Ethernet 1000 Base-T |
|                          | Network Protocol |   | TCP/IP, IPX/SPX, SMB, Apple Talk   |
|                          | MIB Support      | Private MIB   | RICOH Original   |
|                          |                  | Standard MIB  | MIB-II (RFC1213), Host Resource (RFC1514), Printer (RFC1759)                   |
| Network/Operating System |                  | Windows 2000/XP/Vista/Server 2003<br>Netware 3.12, 3.2, 4.1, 4.11, 5.0, 5.1, 6, 6.5<br>Unix; Sun Solaris, HP-UX, SCO OpenServer, RedHat Linux, IBM AIX<br>Mac OS 8.6-9.2x, OS X 10.1 or later |  |

### Document Server Specification

| Document Server Capacity            |                        |
|-------------------------------------|------------------------|
| HDD Capacity for Document Server    | 191.8GB                |
| Maximum Stored Document             | 3,000 documents        |
| Maximum Page per Document           | 2,000 pages / document |
| Maximum Page of all stored Document | 15,000 pages           |

| Data Format |                     |
|-------------|---------------------|
| Copy        | RICOH Unique Format |
| Print       | RICOH Unique Format |
| Scan        | TIFF, JPEG, PDF     |

Remarks: Document Server capacity depends on the image coverage of each document. Actual capacity may vary.

### Printing Speeds

| PPM (print/minutes) | D014    |    |        |    | D015    |    |        |    |
|---------------------|---------|----|--------|----|---------|----|--------|----|
|                     | Simplex |    | Duplex |    | Simplex |    | Duplex |    |
|                     | BW      | FC | BW     | FC | BW      | FC | BW     | FC |
| DLT SEF             | 32      | 29 | 30     | 28 | 37      | 36 | 34     | 33 |
| LT LEF              | 60      | 55 | 60     | 55 | 75      | 70 | 75     | 70 |
| LT SEF              | 47      | 43 | 32     | 30 | 60      | 56 | 37     | 35 |
| LG SEF              | 38      | 34 | 30     | 28 | 50      | 46 | 35     | 33 |

# Product Support Guide

## D014 / D015

| Copier Enhanced Features |                             | Remarks  |
|--------------------------|-----------------------------|--|
| Image Density            | Auto Image Density          |  |
|                          | Manual Selection            | 9 Levels   |
| Color Model              | Auto Color Selection        |  |
|                          | Full Color                  |  |
|                          | Black & White               |  |
|                          | Single Color                | Default: 12 colors + Black<br>User Color: 15 colors  |
|                          | Twin-color                  | Black & Other color<br>Red & Black   |
| Copy Mode                | Auto Text-Photo Separation  | Printed photo mode<br>Glossy photo mode<br>Copier photo mode   |
|                          | Photo                       | Printed photo mode<br>Glossy photo mode<br>Copier photo mode   |
|                          | Text                        |  |
|                          | Map                         |  |
|                          | Pale                        |  |
|                          | Generation                  |  |
|                          | Highlight Pen               |  |
|                          | Inkjet                      | 3 modes  |
| Paper Selection          | Auto Paper Selection        |  |
|                          | 1 <sup>st</sup> Tray        |  |
|                          | 2 <sup>nd</sup> Tray        |  |
|                          | 3 <sup>rd</sup> Tray        |  |
|                          | LCT                         | LCT option is required   |
|                          | Bypass Tray                 |  |
| Paper Tray Display       | 1 <sup>st</sup> Tray<br>LCT | Plain Paper*<br>Recycle Paper<br>Special Paper1, 2<br>Color Paper 1, 2<br>Letter Head<br>Prepunched Paper<br>Preprinted Paper<br>Bond Paper<br>Cardstock<br>Thin<br>Plain1, 2<br>Middle thick<br>Thick Paper 1, 2, 3** |

\*Not displayed as paper type  
\*\*Only for A3/DLT LCT

# Product Support Guide

## D014 / D015

| Copier Enhanced Features |  | Remarks                      |
|--------------------------|--|------------------------------|
|                          | 2 <sup>nd</sup> & 3 <sup>rd</sup> Tray<br><br>Plain Paper*<br>Recycle Paper<br>Special Paper1, 2<br>Color Paper 1, 2<br>Letter Head<br>Prepunched Paper<br>Preprinted Paper<br>Bond Paper<br>Cardstock<br>Tab stock<br><br>Thin<br>Plain1, 2<br>Middle thick<br>Thick Paper 1, 2 | *Not displayed as paper type |

| Scanner               |  |  |
|-----------------------|--|--|
| Optical Resolution    | Default: 200dpi<br>100, 150, 200, 300, 400, 600dpi                     |  |
| Scan Speed            | 60 / 75 (ADF – Copy Mode)  |  |
| Max Scan Area         | Maximum: 297 x 432mm   |  |
| Auto Scan Size Detect | Contact Glass  | Supported  |
|                       | ARDF   | Supported  |
| Original Size         | Standard   | A3 SEF, A4 SEF, A4 LEF, A5 SEF, A5 LEF, B4 SEF, B5 SEF, B5 LEF<br>11"x17" SEF, 8 1/2"x14" SEF, 8 1/2"x13" SEF, 8 1/2"x11" SEF,<br>8 1/2"x 11" LEF, 5 1/2"x8 1/2"SEF, 5 1/2"x8 1/2" LEF |
|                       | Customized   | Minimum: 10 x 10mm<br>Maximum: 297 x 432mm   |
| Compression Method    | BW / Binary: TIFF MH/MR/MMR<br>Grayscale / Full Color: JPEG (5 levels) |  |
| Interface Support     | 10/100base-TX, Wireless LAN,   |  |
| Scan Mode             | Default  | BW_Text  |
|                       | Support  | BW_OCR (inc Drop-out Color), BW_Text-Photo, BW_Photo,<br>Grayscale<br>Auto Color Selection (ACS), FC_Photo, FC_Text-Photo,   |
| Image Density         | Auto Density Selection, Manual Setting_7 Levels                        |  |
| Image Rotation        | Supported  |  |
| SADF / Batch Mode     | Supported  |  |
| Mixed Size Original   | Supported  |  |

# Product Support Guide

## D014 / D015

| <b>Scan-to-Email</b>           |                  |  |
|--------------------------------|------------------|--|
| Requirement                    |                  | SMTP Gateway and TCP/IP  |
| Authentication                 |                  | SMTP, POP before SMTP  |
| Resolution                     |                  | Default: 200dpi<br>100, 150, 200, 300, 400, 600dpi                                       |
| Resister E-mail Address in HDD |                  | Max. 2,000 Addresses   |
| Resister Group Address in HDD  |                  | Max. 500 Addresses<br>Maximum 100 Addresses in One Group Addresses                       |
| Maintain E-mail Address in HDD |                  | Via Operation Panel, Web Image Monitor, Smart Net Monitor                                |
| Search E-mail Address in HDD   |                  | By name & E-mail address   |
| LDAP                           |                  | YES  |
| Max Address Number per Send    |                  | Max 500 Addresses  |
| Address Number per send        | via Address Book | Max 500 Addresses  |
|                                | Direct Input     | Max 100 Addresses  |
|                                | via LDAP         | Max 100 Addresses  |
| Attention                      |                  | To, cc, bcc  |
| Subject                        | Manual Input     | Max. 128 characters  |
|                                | Pre-resist       | 24 Subjects Max 20 Characters per a subject  |
| Body Message                   | Manual Input     | Max. 80 Characters   |
|                                | Pre-resist       | 5 Body Message Max. 80 Characters x 5 lines per a body message                           |
|                                | Fixed Message    | Supported "This e-mail included attached file sent from xxxxx"                           |
| E-mail Size Restriction        |                  | 128-102,400KB* Default: On / 2,048KB   |
| File Type                      |                  | Single Page TIFF, Single Page PDF, Multi Page TIFF, Multi page PDF, High compression PDF |
| Program Registration           |                  | Supported Up to 10 Programs  |
| Divide & Send E-mail           |                  | Supported by Size or Page* Default: On by Size   |
| Resend                         |                  | Supported Default: On  |



# Product Support Guide

## D014 / D015

| <b>Scan-to-Folder</b>                         |   |
|---|---|
| Protocol Support                              | SMB, FTP, NCP   |
| Security                                      | Client folder log-in -Log-in name and password-<br>Encryption of log-in name and password during transmission |
| Resolution                                    | Default: 200dpi<br>100, 150, 200, 300, 400, 600dpi  |
| Max. Resisted Client Folder Address in HDD    | Maximum 2,000 addresses   |
| Maintain Client Folder Address in HDD         | Via Operation Panel, Web Image Monitor, Smart Net Monitor   |
| Max. Client Folders per send                  | Max.50 client folders per sent  |
| Group Address                                 | Max.100 destinations (50 client folders)  |
| Subject                                       | Not supported to input subject  |
| Size Restriction                              | No limitation   |
| Size Restriction combined with Scan to e-mail | Conforming to the scan to e-mail specification  |
| File Type                                     | Single Page TIFF, Single Page PDF, Multi Page TIFF, Multi page PDF  |
| Program Registration                          | Supported Up to 10 Programs   |
| Resend  | Supported Default: On   |

| <b>Network TWAIN driver</b> |   |
|-----------------------------|---|
| Correspondence OS           | Windows 95, 98, 98SE, ME<br>Windows NT Server4.0 (SP5 or later)<br>Windows 2000 Server<br>Windows XP, Vista |
| Resolution                  | 100-1200dpi   |
| Scan Mode                   | Standard, Photo, OCR, Filing  |
| Image Adjustment            | Brightness, Contrast, Threshold,<br>Gamma Adjustment, Halftone Pattern                                      |
| Stamp                       | Date, Page Number, Text   |

# Product Support Guide

## D014 / D015

| Fax Specifications                             |                          | Remarks   |
|--|--------------------------|---|
| Circuit:                                       |                          | PSTN, PBX   |
| Compatibility:                                 |                          | ITU-T (CCITT) G3, Additional G3 (option),   |
| Resolution                                     |                          | 8 x 3.85 line/mm, 200 x 100dpi (std.)<br>8 x 7.7 line/mm, 200 x 200dpi (std.), 8x15.4line/mm, 16x15.4 line/mm, 400x400dpi (with optional SAF memory)                        |
| Compression method:                            |                          | MH, MR, MMR, JBIG   |
| Scanning speed (DF Used):                      |                          | 0.5sec.(A4/LT SEF, Standard/Detail mode and Super Fine mode),<br>*ITU-T No1 chart, 200 x 100 dpi(Standard mode),<br>200dpi(Detail mode), 400dpi(Super Fine mode)            |
| Number of Pages Scanned Per Minutes: (DF Used) | A4/LT SEF                | Standard mode: 40 cpm<br>Detail mode: 40 cpm<br>Super Fine mode: 35 cpm   |
|  | A4/LT LEF/image rotation | Standard mode: 65 cpm<br>Detail mode: 60 cpm<br>Super Fine mode: 35 cpm   |
| Modem speed:                                   |                          | 33.6K – 2,400bps (G3, Standard with Automatic Shift Down)<br>(33600, 31200, 28800, 26400, 24000, 21600, 19200, 16800, 14400, 12000, 9600, 7200, 4800, 2400 bps)             |
| Transmission speed:                            |                          | G3: Approx.2 seconds (200x100 dpi, JBIG, ITUT #1 chart TTI off, memory transmission)<br>G3: Approx.3 seconds (200x100dpi, MMR, ITUT #1 chart, TTI off, memory transmission) |
| Memory backup:                                 |                          | One hour  |
| Smoothing:                                     |                          | Standard  |
| TTI/RTI:                                       |                          | Standard  |
| CSI:   |                          | Standard  |
| Quick dial/ Speed dial:                        |                          | Standard: 2,000 numbers   |
| Group dial:                                    |                          | Standard: 100 groups (500 numbers per 1 group)  |
| Program:                                       |                          | Standard: 100 numbers   |
| Redial:  |                          | Standard  |
| Direct fax number entry:                       |                          | Standard  |
| Dual access:                                   |                          | Standard  |
| User Code:                                     |                          | Std. 100 Codes (Max. 500 codes with optional "User Account Enhance Unit")   |
| Page counter:                                  |                          | Standard  |
| Auto reduction:                                |                          | Standard  |
| Wild cards:                                    |                          | Standard  |
| ID code programming:                           |                          | Standard (4 digits)   |
| Programming by OMR:                            |                          | No  |
| User function key:                             |                          | Standard (3 keys)   |
| Night timer:                                   |                          | No  |
| Energy saver::                                 |                          | Standard  |
| LCD prompt:                                    |                          | Standard  |
| Remaining memory indication                    |                          | Standard  |
| Clock adjustment:                              |                          | Standard  |
| User parameter setting:                        |                          | Standard  |
| User data transfer:                            |                          | Standard  |

# Product Support Guide

## D014 / D015

| <b>Transmission Features</b>   |                             |
|--------------------------------|-----------------------------|
| Immediate transmission:        | Standard                    |
| Memory transmission:           | Standard                    |
| Serial broadcasting            | Standard (Max. 500 numbers) |
| Send later:                    | Standard                    |
| Error correction mode:         | Standard                    |
| Page retransmission:           | Standard                    |
| Forwarding:                    | Standard                    |
| Image rotation:                | Standard                    |
| Book fax:                      | Standard:                   |
| Closed network (transmission): | Standard                    |
| Double sided transmission:     | Yes                         |
| Immediate transmission:        | Standard                    |
| <b>Reception Features</b>      |                             |
| Automatic reception:           | Standard                    |
| Manual reception:              | Standard                    |
| Substitute reception:          | Standard                    |
| Authorized reception:          | Standard                    |
| Multi-copy:                    | Standard                    |
| Closed network:                | Standard                    |
| Reception time printing:       | Standard                    |
| Center mark:                   | Standard                    |
| Checkered mark:                | Standard                    |
| Economy printing mode:         | No                          |

| <b>LAN Fax M 8 Basic Specifications</b>                |   |
|--|---|
| Paper Size:  | A3, DLT, B4, A4 (default for EU/Asia model), Letter (default for NA model), Legal, B5, A5   |
| Resolution:  | -Super Fine (400 x 400 dpi)<br>-Detail (200 x 200 dpi) *default<br>-Standard (200 x 100 dpi)  |
| Gray Scale:<br>(Available only for Win95/98/Me Driver) | -Off<br>-On normal *default<br>-On lighter  |
| Number of Address:                                     | 500   |
| OS:  | Windows 95/98, Windows Me, Windows NT4.0, Windows2000, Windows XP, Vista (Gray Scale is only available for the driver of Windows95/98, Me)  |
| LAN-Fax Editor support language:                       | 1.English, 2.German, 3.French, 4.Italian, 5.Spanish, 6.Dutch, 7.Swedish, 8.Norwegian, 9.Danish, 10.Finnish, 11.Hungarian, 12.Czech, 13.Polish, 14.Portuguese, 15.Russian, 16.Korean, 17.Traditional Chinese, 18.Simplified Chinese<br>Condition: OS need to have the same language. |
| Memory   | Minimum required for each OS  |
| CPU  | Minimum required for each OS  |
| HDD  | Minimum required for each OS  |

# Product Support Guide

## D014 / D015

| <b>Internet Fax Basic Specifications</b> |   |
|--|---|
| Requirement of Mainframe:                | G3 fax option is required.<br>Printer Scanner option is required.   |
| Number of Address:                       | 2,000 HDD storage   |
| E-mail Address Input:                    | From LCD operation panel, Web Image Monitor, Smart Device Monitor for Admin   |
| Attention:                               | “to” or “bcc” (select only one), max 500 attentions   |
| Destination Combination:                 | Internet Fax + G3 Fax, Internet Fax to PC + G3 Fax  |
| Network:                                 | LAN: Local Area Network<br>Ethernet/10Base-T, 100Base-TX, IEEE802.11b (wireless LAN)  |
| Transmit function:                       | E-mail  |
| Scan line density:                       | 200 x 100 dpi (Standard character), 200 x 200 dpi (Detail character),<br>200 x 400 dpi (Fine character: optional) *1, 400 x 400 dpi (Super Fine character: optional) *1 |
| Original size: Scanning width:           | A3 *1, B4 *1, A4  |
| Communication Protocols:                 | Transmission<br>SMTP, TCP/IP<br>Reception<br>POP3, SMTP, IMAP4, TCP/IP  |
| E-mail format:                           | Single/Multi-part, MIME Conversion<br>Attached file forms: TIFF-F (MH, MR *1, MMR*1 compression)  |
| Authentication method:                   | SMTP-AUTH, POP before SMTP, A-POP   |
| Internet communication:                  | Send and receive e-mail with a computer that has an e-mail address  |
| E-mail send functions:                   | Automatic conversion of sent documents to e-mail format and e-mail transmission. Memory transmission only.  |
| E-mail receive functions:                | Automatic detection and printing of appended TIFF-F(MH) files and ASCII text.<br>Memory reception only.   |

| <b>IP – FAX Basic Specifications</b> |   |
|--------------------------------------|---|
| Network:                             | LAN: Local Area Network<br>Ethernet/10base-T, 100base-TX, IEEE802.11b (wireless LAN)  |
| Scan line density:                   | 8 x 3.85 lines/mm, 200 x 100 dpi (Standard character),<br>8 x 7.7 lines/mm, 200 x 200 dpi (Details character),<br>8 x 15.4 lines/mm (Fine character: optional expansion memory required),<br>16 x 15.4 lines/mm, 400 x 400 dpi (Super Fine character: optional expansion memory required) Maximum |
| Original size:                       | A3 or 11” x 17” (DLT)   |
| Maximum scanning size:               | Standard: A3, 297mm x 432mm, Irregular: 297mm x 1200mm  |
| Transmission protocol:               | Recommended: T.38Annex, TCP, UDP/IP communication, SIP (RFC 3261 compliant), H.323 v2   |
| Compatible machines:                 | IP-Fax compatible machines  |
| IP-Fax transmission function:        | Specify an IP address and send faxes to an IP-Fax compatible fax through a network.<br>Also capable of sending faxes from a G3 fax connected to a telephone line via a VoIP gateway.  |
| IP-Fax reception function:           | Receive faxes sent from an IP-Fax compatible fax through a network.<br>Also capable of receiving faxes from a G3 fax connected to a telephone line via a VoIP gateway   |

# Product Support Guide

## D014 / D015

### MFP Supported Environments

| Windows Environments |                    |       |      |      |             |
|----------------------|--------------------|-------|------|------|-------------|
| OS                   | Type               | PCL5e | PCL6 | RPCS | PostScript3 |
| Windows 9x/Me        | -                  | Y     | Y    | Y    | Y           |
| Windows NT           | WorkStation 4.0    | Y*1   | Y*1  | Y*1a | Y*1         |
|                      | Server 4.0         | Y*1   | Y*1  | Y*1a | Y*1         |
| Windows 2000         | Professional       | Y     | Y    | Y    | Y*2         |
|                      | Server             | Y     | Y    | Y    | Y*2         |
|                      | Advanced Server    | Y*3   | Y*3  | Y*3  | Y*2         |
|                      | Datacenter Server  | N     | N    | N    | N           |
| Windows XP           | Professional       | Y     | Y    | Y*4  | Y*2         |
|                      | Home Edition       | Y     | Y    | Y*4  | Y*2         |
| Windows Server 2003  | Standard Edition   | Y     | Y    | Y*3  | Y*2         |
|                      | Enterprise Edition | Y*3   | Y*3  | Y*3  | Y*2         |
|                      | Datacenter Edition | N     | N    | N    | N           |
|                      | Web Edition        | N     | N    | N    | N           |
| Windows VISTA        | Home Basic         | Y     | Y    | Y    | Y*5         |
|                      | Home Premium       | Y     | Y    | Y    | Y*5         |
|                      | Business           | Y     | Y    | Y    | Y*5         |
|                      | Enterprise         | Y     | Y    | Y    | Y*5         |
|                      | Ultimate           | Y     | Y    | Y    | Y*5         |

\*1: Service Pack 6 or later is required.

\*1a: Service Pack 6a or later is required.

\*2: Adobe does not release PS driver for Windows 2000 and XP. Only MS-PostScript driver is available and PPD file for MS-PS is included in the Driver CD.

\*3: Cluster Server configuration is not supported.

\*4: RPCS driver does not support "Fast User Switching" functions of Windows XP.

\*5: PS3 driver for Windows Vista is not contained in a CD-ROM. Please download it from web site.

**Important Note:**

Windows NT4.0/9X (Windows 95/98/ME) drivers are available only from web site and these are available only until March 2008. Please note that Windows NT4.0/9X drivers are not available from April 2008 onwards.

| Point & Print           |                  |         |        |             |
|-------------------------|------------------|---------|--------|-------------|
| Windows OS              |                  | Drive   |        |             |
| Server                  | Client (push to) | PCL5e/6 | RPCS*3 | PostScript3 |
| Windows VISTA           | VISTA            | Yes     | Yes    | Yes*1       |
|                         | XP               | Yes     | Yes    | Yes         |
|                         | W2K Pro          | Yes     | Yes    | Yes         |
|                         | NT4.0 WS         | No      | No     | No          |
|                         | 98/Me            | No      | No     | No          |
| Windows server2003      | VISTA            | Yes     | Yes    | Yes*1       |
|                         | XP               | Yes     | Yes    | Yes         |
|                         | W2K Pro          | Yes     | Yes    | Yes         |
|                         | NT4.0 WS         | Yes     | Yes    | Yes         |
|                         | 98 / Me          | Yes     | Yes    | Yes         |
| Windows XP Professional | VISTA            | Yes     | Yes    | Yes*1       |
|                         | XP               | Yes     | Yes    | Yes         |
|                         | W2K Pro          | Yes     | Yes    | Yes         |
|                         | NT4.0 WS         | Yes     | Yes    | Yes         |
|                         | 98 / Me          | Yes     | Yes    | Yes         |

# Product Support Guide

## D014 / D015

| <b>Point &amp; Print</b>                                |          |              |     |       |
|---|----------|--------------|-----|-------|
| <b>Windows OS</b>                                       |          | <b>Drive</b> |     |       |
| Windows 2000<br>Professional Server<br>& Advance Server | VISTA    | Yes          | Yes | Yes*1 |
|   | XP       | Yes          | Yes | Yes   |
|   | W2K Pro  | Yes          | Yes | Yes   |
|   | NT4.0 WS | Yes          | Yes | Yes   |
|   | 98 / Me  | Yes          | Yes | Yes   |
| NT4.0 Workstation<br>& Server (Intel)                   | VISTA    | No           | No  | No    |
|   | XP       | No           | No  | No    |
|   | W2K Pro  | Yes          | No  | No    |
|   | NT4.0 WS | Yes          | Yes | Yes   |
|   | 98 / Me  | Yes          | Yes | Yes   |

\*1: PS3 driver for Windows Vista is not contained in a CD-ROM. Please download it from web site.

| <b>Terminal Service &amp; Citrix MetaFrame</b>    |               |      |     |
|---|---------------|------|-----|
| <b>Server</b>                                     | <b>Driver</b> |      |     |
|   | PCL5e/6       | RPCS | PS  |
| Windows Server 2003                               | PCL5e/6       | RPCS | PS  |
| Windows 2000 Server                               | Yes           | Yes  | Yes |
| Windows NT4.0 TSE                                 | Yes           | Yes  | Yes |
| Win 2003 Servers: MetaFrame                       | Yes           | Yes  | Yes |
| Win 2000 Servers: MetaFrame                       | Yes           | Yes  | Yes |
| Win NT4.0 TSE: MetaFrame                          | Yes*1         | Yes  | Yes |
| Win 2003 Servers: Citrix<br>PresentationServer4.0 | Yes           | Yes  | Yes |
| Win 2000 Servers: Citrix<br>PresentationServer4.0 | Yes           | Yes  | Yes |
| Win NT4.0 TSE: Citrix<br>PresentationServer4.0    | Yes           | Yes  | Yes |
| Win 2003 Servers: Citrix<br>PresentationServer4.5 | No            | No   | No  |
| Win 2000 Servers: Citrix<br>PresentationServer4.5 | Yes           | No   | Yes |
| Win NT4.0 TSE: Citrix<br>PresentationServer4.5    | No            | No   | No  |

[Operating Environments]

The following combinations of operating system and Citrix MetaFrame are supported:

[Windows NT Server 4.0 Terminal Server Edition with SP6 and later required]

1. Windows Terminal Service (RDP protocol)
2. MetaFrame 1.8 SP3/FR1+SP3/SP4 (ICA protocol)
3. MetaFrame XP 1.0 SP1/SP2/FR1 (ICA protocol)

[Windows 2000 Server /Advanced Server]

1. Windows Terminal Service (RDP protocol)
2. MetaFrame 1.8 SP3/FR1+SP3/SP4 (ICA protocol) \*1
3. MetaFrame XP 1.0 SP1/SP2/SP3/SP4/FR1/FR2/FR3 (ICA protocol)
4. MetaFrame PresentationServer3.0
5. Citrix PresentationServer4.0 \*2

[Windows 2003 Server]

# Product Support Guide

## D014 / D015

1. Windows Terminal Service (RDP protocol)
2. MetaFrame XP 1.0 SP4/FR3 (ICA protocol)
3. MetaFrame PresentationServer3.0
4. Citrix PresentationServer4.0 \*2
5. Citrix PresentationServer4.5\*2

\*1: PCL mono-drivers do not support MetaFrame1.8 + SP3 Environment. Only mini-driver support Meta1.8+SP3 Environment.

\*2: Only PCL/PS drivers are tested under this environment.

Note:

Even if "Yes" is put in the cell, there may be a case where a driver is not supported under the combination of FR and Service Pack of MetaFrame.

### Mac OS

| Mac                                   | PostScript3 | Printer Utility for MAC |
|---------------------------------------|-------------|-------------------------|
| Mac OS 8.6 or later, Mac OS X classic | Yes         | Yes                     |
| Mac OS X Native: v. 10.1 or later *1  | Yes         | Yes*2                   |

\*1: Mac OS X v.10.0.X is not supported.

\*2: Mac OS X v.10.2.0 is not supported.

### UNIX Filter

| Unix Platforms | Version                            |
|----------------|------------------------------------|
| Sun Solaris    | 2.6 / 7 / 8 / 9 / 10               |
| HP-UX          | 10.x / 11.x / 11iv2                |
| Red Hat Linux  | 6.x / 7.x / 8.x / 9.x / Enterprise |
| SCO OpenServer | 5.0.6 / 5.0.7 / 6.0                |
| IBM AIX        | V4.3 & 5L Version 5.1 / 5.2 / 5.3  |

### Novell Netware

|                        |                   |   |
|------------------------|-------------------|---|
| <b>Netware Server</b>  | Supported Version | Netware 3.12 / 3.2 / 4.1 / 4.11 / 5.0 / 5.1 / 6.0 / 6.5 |
| Client                 | Supported OS      | Windows 95 / 98 / Me / NT4.0 / 2000 / XP (Professional) |
| Supported Print System |                   | Q-base, NPDS Gateway, I-print                           |

# Product Support Guide

## D014 / D015

### SAP/R3 Environment (Device Type / Barcode & OCR Package)

|   |  |  |
|---|--|--|
| Supported Environments  | R/3 version  | 3.x or later, mySAP ERP2004 or later   |
|   | Platform   | Independent  |
|   | PDL  | PCL5e/PCL 5c   |
|   | Character Set  | Latin 1(Western European), Latin 2 (Eastern European)  |
|   | Localization   | English only   |
| Supported features  | i.e.: Input/Output Bin, Duplex, Stapling, Resolution, Collation,Econo Mode/Toner Saving, Smoothing, Page Protect, Auto Tray Change/Opt Tray select |  |
| Supported Barcode & OCR Fonts*<br>(* BOP will be procured locally.) | Barcode Fonts<br>(Support Latin 1 only)  | Code 128, Code 39, Code 93, Codabar,<br>2 of 5 interleaved/Industrial/Matrix, MSI, USPS, UPC/EAN |
|   | OCR Fonts  | OCR A, OCR B   |

### Print Driver Information

| Function                           | PCL<br>5c/ 6 | RPCS | PostScript3        |                |                      |                  |                   |            |
|------------------------------------|--------------|------|--------------------|----------------|----------------------|------------------|-------------------|------------|
|                                    |              |      | Windows<br>9x / Me | Windows<br>NT4 | Windows<br>2000 / XP | Windows<br>Vista | Mac OS<br>8.6-9.2 | Mac<br>OSX |
| Send to Job Binding                | N            | Y    | N                  | N              | N                    | N                | N                 | N          |
| Send to Document Server            | Y            | Y    | Y                  | Y              | Y                    | Y                | Y                 | Y*1        |
| Sample Print                       | Y            | Y    | Y                  | Y              | Y                    | Y                | Y                 | Y*1        |
| Locked Print                       | Y            | Y    | Y                  | Y              | Y                    | Y                | Y                 | Y*1        |
| Hold Print                         | Y            | Y    | Y                  | Y              | Y                    | Y                | Y                 | Y*1        |
| Stored Print                       | Y            | Y    | Y                  | Y              | Y                    | Y                | Y                 | Y*1        |
| Stored Print (Shared)              | Y            | Y    | N                  | N              | N                    | N                | N                 | N          |
| Store and Print                    | Y            | Y    | Y                  | Y              | Y                    | Y                | Y                 | Y*1        |
| Store and Print (Shared)           | Y            | Y    | N                  | N              | N                    | N                | N                 | N          |
| Reduce/Enlarge (Zoom/Scaling)      | Y*2          | Y    | Y                  | Y              | Y                    | Y                | Y                 | Y          |
| Fit to Paper size                  | Y            | Y    | Y                  | Y              | Y                    | Y                | Y                 | Y          |
| Unauthorized Copy Control          | N            | Y    | N                  | N              | N                    | N                | N                 | N          |
| Layout (N-up)                      | Y            | Y    | Y                  | Y              | Y                    | Y                | Y                 | Y          |
| Poster                             | N            | Y    | N                  | N              | N                    | N                | Y                 | N          |
| Duplex                             | Y            | Y    | Y                  | Y              | Y                    | Y                | Y                 | Y          |
| Booklet1                           | N            | Y    | N                  | N              | N                    | N                | N                 | N          |
| Booklet2 (Magazine)                | Y            | Y    | N                  | N              | Y                    | Y                | N                 | N          |
| Non-Reduction Booklet              | Y            | Y    | N                  | N              | N                    | N                | N                 | N          |
| Watermark                          | Y            | Y    | Y                  | Y              | Y                    | Y                | Y                 | Y          |
| Overlay                            | N            | Y    | N                  | N              | N                    | N                | N                 | N          |
| Header/Footer                      | N            | Y    | N                  | N              | N                    | N                | N                 | N          |
| Adjust image position              | N            | Y    | N                  | N              | N                    | N                | N                 | N          |
| Binding Margins                    | N            | Y    | N                  | N              | N                    | N                | N                 | N          |
| Shift Image to Edge/Corner         | N            | Y    | N                  | N              | N                    | N                | N                 | N          |
| Creep for Booklet 2                | N            | Y    | N                  | N              | N                    | N                | N                 | N          |
| Imposition Setting (Speed, double) | N            | Y    | N                  | N              | N                    | N                | N                 | N          |
| Crop Mark                          | N            | Y    | N                  | N              | N                    | N                | N                 | N          |
| Collate                            | Y            | Y    | Y                  | Y              | Y                    | Y                | Y                 | Y          |
| Punch                              | Y            | Y    | Y                  | Y              | Y                    | Y                | Y                 | Y          |
| Staple                             | Y            | Y    | Y                  | Y              | Y                    | Y                | Y                 | Y          |
| Z-Folding                          | Y            | Y    | Y                  | Y              | Y                    | Y                | Y                 | Y          |



# Product Support Guide

## D014 / D015

| Function                 | PCL<br>5c/ 6 | RPCS | PostScript3        |                |                      |                  |                   |            |
|--------------------------|--------------|------|--------------------|----------------|----------------------|------------------|-------------------|------------|
|                          |              |      | Windows<br>9x / Me | Windows<br>NT4 | Windows<br>2000 / XP | Windows<br>Vista | Mac OS<br>8.6-9.2 | Mac<br>OSX |
| Cover sheet(Front Cover) | Y            | Y    | Y                  | N              | N                    | N                | N                 | N          |
| Back Cover               | Y            | Y    | N                  | N              | N                    | N                | N                 | N          |
| Front and Back Cover     | Y            | Y    | N                  | N              | N                    | N                | N                 | N          |
| Slip Sheet               | Y            | Y    | Y                  | N              | N                    | N                | N                 | N          |
| Chaptering               | Y            | Y    | Y                  | N              | N                    | N                | N                 | N          |
| Designated Sheet Print   | N            | Y    | N                  | N              | N                    | N                | N                 | N          |
| Tab Shift Printing       | Y            | Y    | N                  | N              | N                    | N                | N                 | N          |
| Rotate by 180 degrees    | Y            | Y    | Y                  | Y              | Y                    | Y                | Y                 | Y          |
| Reverse Order Print      | N            | Y    | N                  | Y              | Y                    | Y                | Y                 | Y          |
| Do not print Blank pages | Y*3          | Y    | N                  | N              | N                    | N                | N                 | N          |
| Dithering                | Y            | Y    | Y                  | Y              | Y                    | Y                | Y                 | Y          |
| Edge Smoothing           | N            | Y    | Y                  | Y              | Y                    | Y                | Y                 | Y          |
| Toner Saving             | N            | Y    | Y                  | Y              | Y                    | Y                | Y                 | Y          |
| Quality                  | N            | Y    | N                  | N              | N                    | N                | N                 | N          |
| Speed                    | N            | Y    | N                  | N              | N                    | N                | N                 | N          |
| User ID                  | Y            | Y    | Y                  | Y              | Y                    | Y                | Y                 | Y*1        |
| User Code                | Y            | Y    | Y                  | Y              | Y                    | Y                | Y                 | Y*1        |
| User Authentication      | Y            | Y    | N                  | N              | N                    | N                | N                 | N          |
| Encryption/Encoding      | Y            | Y    | N                  | N              | N                    | N                | N                 | N          |
| User Defined Pages       | Y            | N    | N                  | N              | N                    | N                | N                 | N          |
| Mirror Image Print       | N            | N    | Y                  | Y              | Y                    | Y                | Y                 | N          |
| Negative Image Print     | N            | N    | Y                  | Y              | Y                    | Y                | Y                 | N          |
| Edge to Edge Print       | Y            | Y    | N                  | N              | N                    | N                | N                 | N          |
| Limitation setting       | Y            | Y    | N                  | N              | N                    | N                | N                 | N          |

**Y:** (Yes) supported

**N:** (No) not supported

**\*1:** Available with MAC OS X 10.2 or later

**\*2:** "Centering" feature cannot be selected from PCL driver. However PCL has this feature as the original function. When printing with Reduce/Enlarge (Zoom) feature of PCL driver, the output will be automatically centered by the PCL 's original centering function.

**\*3:** This feature cannot be selected from printer driver. But enables to set to "On" in "PCL setting" of MFP

# Product Support Guide

## D014 / D015

### Counters

- User Tools → Counter → Print Counter List → Start
- User Tools → System Settings → Administrator Tools → Display / Print Counter → Print Counter List → Start
- Maximum 7 digits

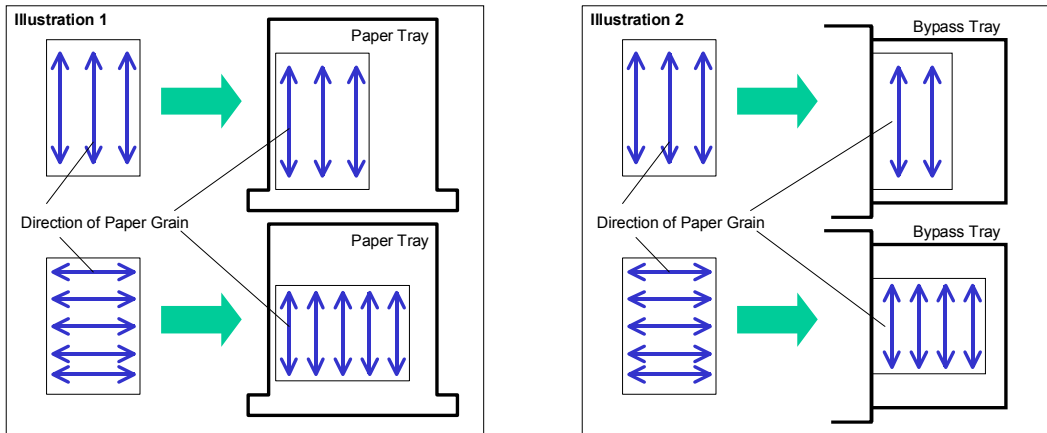
### Paper

#### Recommended Paper Condition

All the paper should be stored where the room temperature is 20-25 degree C and the humidity is 30-65%. Any curls in the paper should be smoothed out before loading it.

When loading thick paper in paper trays1-3, or the wide LCT, set the paper direction according to the grain, as shown in the following illustration (1).

When loading thick paper in the bypass tray, set the paper direction according to the grain, as shown in the following illustration (2).



# Product Support Guide

## D014 / D015

### Non Recommended Throughput Material

To prevent faults, do not use any of the following kinds of treated paper:

- Paper for inkjet printers
- Thermal fax paper
- Art paper
- Aluminum foil
- Carbon paper
- Conductive paper
- Paper with perforated lines
- Hemmed-edge paper
- Color OHP transparencies with easily melted coatings
- Bent, folded, or creased paper
- Perforated paper
- Slippery, torn, rough paper
- Thin paper with little stiffness
- Paper with a dusty surface
- If you copy or print onto rough grain paper, the output image might be blurred.
- Do not reuse copy paper that has been already copied or printed onto.

### Firmware Information

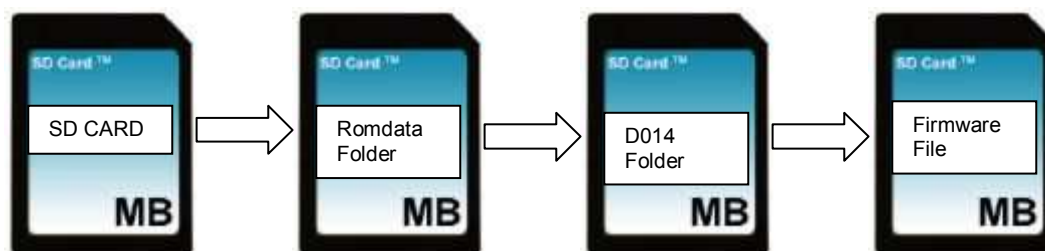
#### Firmware

| Firmware SD Card                   | Firmware Type           | Firmware File Name as Posted           |
|------------------------------------|-------------------------|--|
| ADF Document Feeder                | ADF                     | D014 ADF vxxx SDcard.zip               |
| Engine                             | Engine                  | D014 Engine vxxx SDcard.zip            |
| Fax                                | Fax                     | D014 Fax vxxx SDcard.zip               |
| Finisher (SR4010/SR4020)           | Finisher SR4010/SR4020  | D014 SR4010 4020 vxxx SDcard.zip       |
| Finisher (SR5000 / Adapter Type C) | Finisher Adapter Type C | D014 SR5000 vxxx SDcard.zip            |
| Font EXP                           | Font EXP                | D014 Font EXP vxxx SDcard.zip          |
| GWFCU3-f (WW)                      | FCU                     | D014 Fcu vxxx SDcard.zip               |
| Language Install                   | Language Install        | D014 Language vxxx SDcard.zip          |
| Network DocBox                     | Net File                | D014 NetFile Netdocbox vxxx SDcard.zip |
| Network Support                    | Network Support         | D014 Network Support vxxx SDcard.zip   |
| OpePanel.EXP                       | LCDC                    | D014 Opepanel Lcdc vxxx SDcard.zip     |
| Option PCL                         | Option PCL              | D014 Option PCL vxxx SDcard.zip        |
| Option PCL Font                    | Option PCL Font         | D014 Option PCL font vxxx SDcard.zip   |
| Printer                            | Printer                 | D014 Printer vxxx SDcard.zip           |
| PS3 Font                           | PS3 Font                | D014 PS3 font vxxx SDcard.zip          |
| PS3/PDF                            | PS3/PDF                 | D014 PS3 PDF vxxx SDcard.zip           |
| Remote Fax                         | Rfax                    | D014 Rfax vxxx SDcard.zip              |
| Scanner                            | Scanner                 | D014 Scanner vxxx SDcard.zip           |
| System/Copy                        | System/Copy             | D014 System vxxx SDcard.zip            |
| Web Support                        | Web Support             | D014 Web Support vxxx SDcard.zip       |
| Web Uapl                           | Web Uapl                | D014 Web Uapl vxxx SDcard.zip          |

# Product Support Guide

## D014 / D015

### SD Card Firmware File Structure



### Contact Information

| Name                                     | Contact   |
|--|---|
| Technical Services Call Center (Hotline) | Ricoh: (800) 537-4264<br>Savin/Gestetner: (800) 291-6044<br>Lanier: (800) 333-3147  |
| Application Help Desk (Software Issues)  | Ricoh Phone Card: 2 Call - 000781MIU, 5 Call - 000900MIU<br>Savin Phone Card: 2 Call - 12992, 5 Call - 12993<br>Gestetner Phone Card: 2 Call - 12994, 5 Call - 12995  |
| National Reclamation Center              | (800) 557-4264 <a href="http://www.nrc-usa.com">http://www.nrc-usa.com</a>  |
| Technology Solutions Center Web Site     | <a href="http://www.tscweb.net">http://www.tscweb.net</a>   |
| Configurator                             | <a href="http://www.connectivity-cafe.com">http://www.connectivity-cafe.com</a>   |
| Ricoh Web Site                           | <a href="http://www.ricoh-usa.com/">http://www.ricoh-usa.com/</a>   |
| Savin iLINC Web Site                     | <a href="http://www.savin.com">http://www.savin.com</a>   |
| Headquarter Web Sites                    | Ricoh Corporation: <a href="http://www.ricoh-usa.com">http://www.ricoh-usa.com</a><br>Savin Corporation: <a href="http://www.savin.com">http://www.savin.com</a><br>Gestetner Corporation: <a href="http://www.gestetnerusa.com/">http://www.gestetnerusa.com/</a><br>Lanier Corporation: <a href="http://www.lanier.com">http://www.lanier.com</a> |
| Material Safety Data Sheets              | (800) 336-MSDS (6737)   |
| Eastern Training Center                  | (973) 808-7646 <a href="http://www.ricohuniversity.com">http://www.ricohuniversity.com</a>  |
| Western Training Center                  | (714) 566-3692 <a href="http://www.ricohuniversity.com">http://www.ricohuniversity.com</a>  |

### Training Information

**Instructor-Led Training (ILT)** – The current instructor-led training program (B132/B200) will be updated to include the D014/D015 information. This five-day course will be revised so that the D014/D015 models are the lead products to be emphasized during the course. All significant differences between the two models will also be covered during the course. The official name of the course will be D014/D015 Color MFP.

### Documentation

| Description          | EDP Code  | RFG E-Source Number |
|----------------------|-----------|---------------------|
| Service Manual       | 003379MIU | 029235              |
| Parts Catalog        | 003380MIU | 030038              |
| Point to Point       | 002281MIU | 030035              |
| CBT Self-Pace Update | 003378MIU | -                   |

# Product Support Guide

## D014 / D015

### MFP Update Certified Service Personnel

**CBT/WBT Self-Pace Update** –Designed specifically for the B132/B200 certified service professionals. The main objective will be to emphasize the differences between the two models. The self-Pace update CBT/WBT will include a mandatory certifying exam consisting of 25 questions. A passing grade of 75% will be required.

# Product Support Guide

## D014 / D015

### Revisions

- 1.0 Original
- 1.2 Added note on Pages 5 and 16 about developer yields
- 1.3 Change Order number for Option on p. 3 and 4.
- 1.4 Target reliability correction made. 40% removed. Did not apply.
- 1.5 Added Special Paper types to page 5.
- 1.6 Added notes about GBCIII and BK5010 Release dates.
- 1.7 Added Print Speeds to page 20.
- 1.8 Updated pages 3, 4, and 12 with GBCIII and BK5010 Information.
- 1.9 Removed Printer/Scanner Unit type C7500.