



PHILIPS

Let's make things better.



Quick Use and Hookup Guide

CONTENTS

Important Notice/Warning1	Basic Antenna TV Connections2
Basic TV Operation1	Using the AV1 Inputs3
Remote Battery Installation1	Using the AV2 Inputs3
Remote Control Button Descriptions1	Using the Component Video Inputs3
Hooking Up the TV	Using the S-Video Inputs4
Basic Cable TV Connections2	Using the Monitor (Audio/Video) Outputs4
Basic Cable Box Connections2	Using the Side Audio/Video Inputs4

IMPORTANT

NOTE: This owner's manual is used with several different television models. Not all features (and drawings) discussed in this manual will necessarily match those found with your television set. This is normal and does not require that you contact your dealer or request service.

WARNING: TO PREVENT FIRE OR SHOCK HAZARD DO NOT EXPOSE THIS UNIT TO RAIN OR EXCESSIVE MOISTURE.

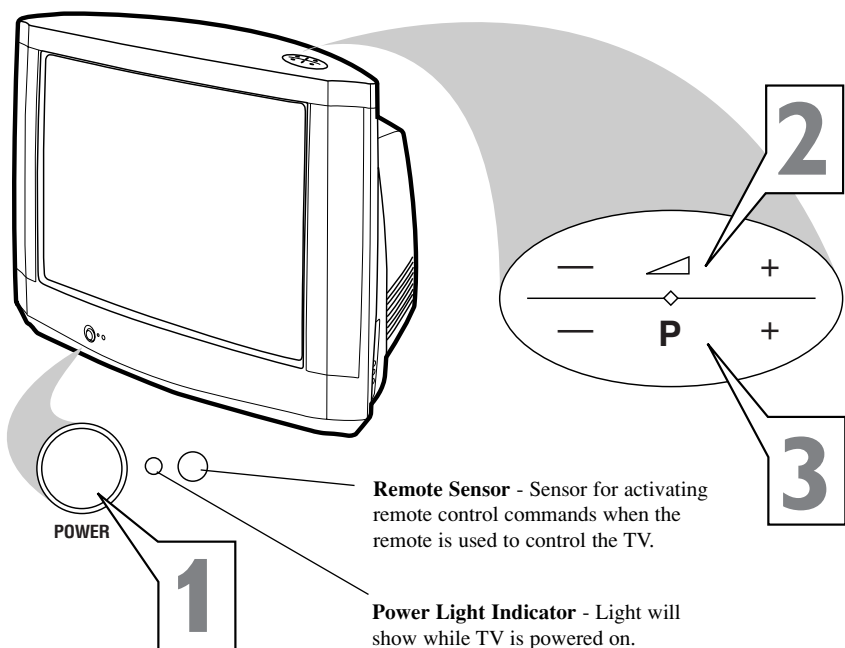
BASIC TV AND REMOTE OPERATION

TELEVISION

Your television has a set of controls located on the front of the cabinet for use when the remote control is not needed.

- 1** Press the **POWER** button to turn the TV ON.
- 2** Press the **Volume** \triangleleft + button to increase the sound level or the **Volume** \triangleright - button to lower the sound level.
- 3** Press the **P (channel)** - (down) or + (up) button to select TV channels. Use these buttons to make adjustments or selections in the onscreen menu.

There is also a set of Audio and Video Input jacks located on the side of the television cabinet. This jack panel also contains a S-video and headphone jack. These jacks are great for connecting a video camcorder or any accessory device that will only be hooked up temporarily.



Remote Sensor - Sensor for activating remote control commands when the remote is used to control the TV.

Power Light Indicator - Light will show while TV is powered on.

REMOTE CONTROL BATTERIES

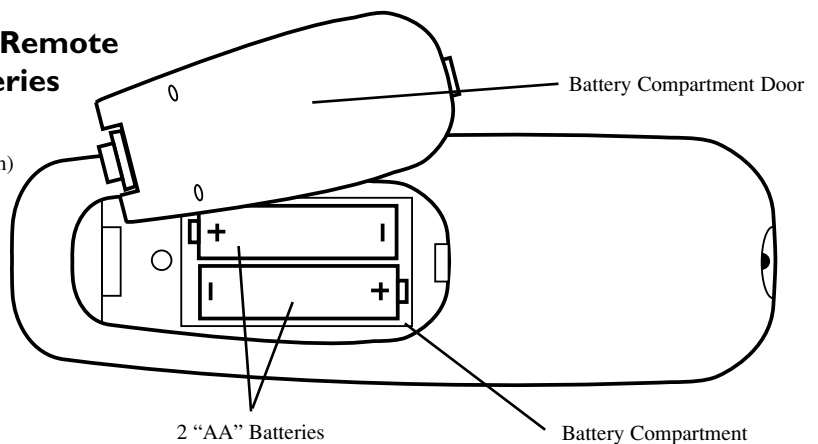
To load the supplied batteries into the remote:

- 1** Remove the **battery compartment door** on the back of the remote.
- 2** Place the **batteries (2-AA)** in the remote. Be sure the (+) and (-) ends of the batteries line up correctly (the inside of the case is marked).
- 3** Reattach the **battery compartment door**.

Installing the Remote Control Batteries

Remote Control (shown from the bottom)

Be sure to point the remote at the Remote Sensor window on the front of the television when using the remote control to operate the television.



REMOTE CONTROL BUTTONS

QUADRA SURF Buttons - (Red, Green, Yellow, Blue) Allows you to store and surf up to 10 channels you choose for each colored button.

SMILEY Button - Press to add channels in the "Quadra Surf" lists. Works with all colored buttons.

TV/VCR/ACC MODE SWITCH - Slide to position of TV to control TV functions, VCR to control VCR functions and ACC for Cable Converter, DBS, DVD, etc., functions.

AUTO SOUND Button - Press repeatedly to choose from different factory pre-defined sound settings. Choose from Personal (how you set the Sound Menu options), Voice (for programming with speaking only), Music (for musical type programs such as concerts), or Theatre (used when watching movies).

MENU Button - Press to display the onscreen menu. Also can be used to back out of the onscreen menu until it disappears from the TV's screen.

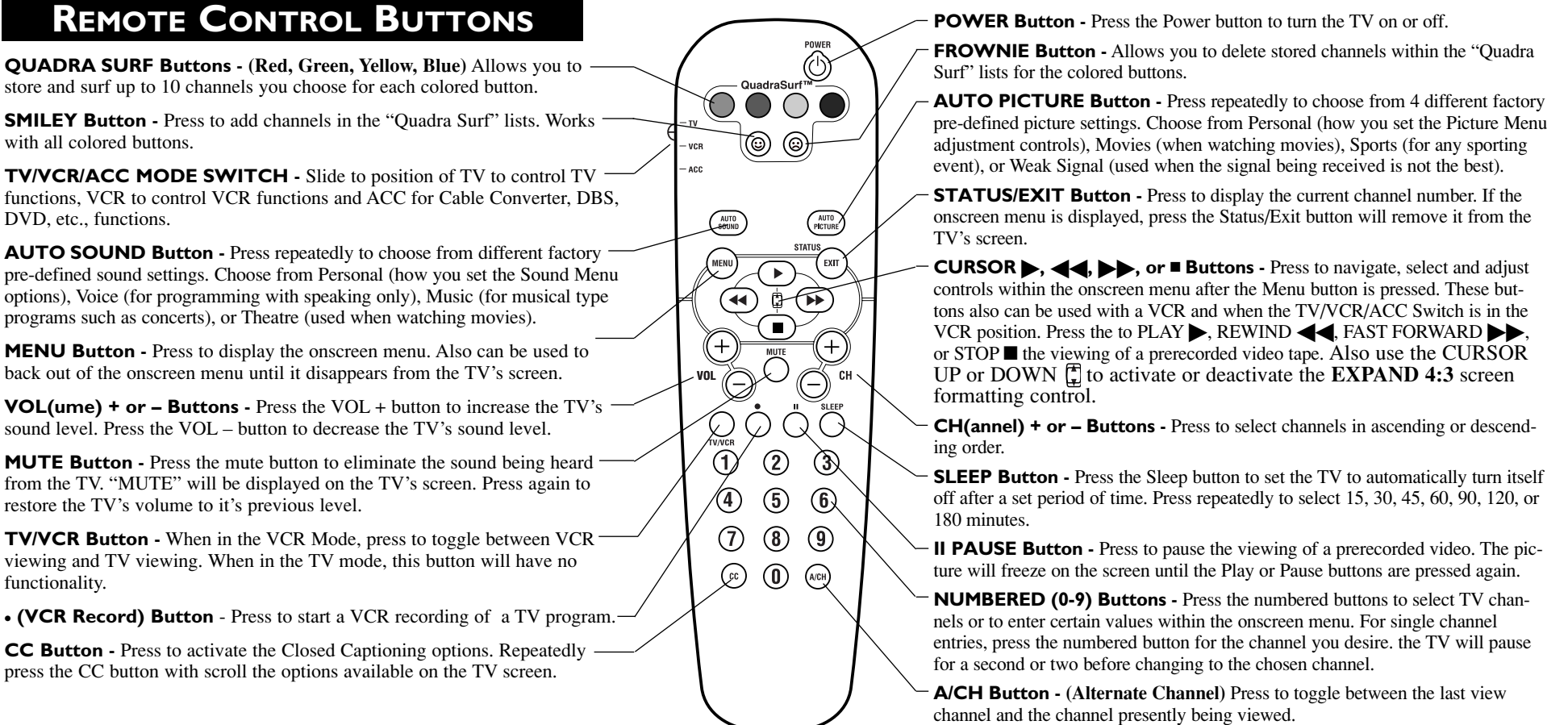
VOL(ume) + or - Buttons - Press the VOL + button to increase the TV's sound level. Press the VOL - button to decrease the TV's sound level.

MUTE Button - Press the mute button to eliminate the sound being heard from the TV. "MUTE" will be displayed on the TV's screen. Press again to restore the TV's volume to its previous level.

TV/VCR Button - When in the VCR Mode, press to toggle between VCR viewing and TV viewing. When in the TV mode, this button will have no functionality.

(VCR Record) Button - Press to start a VCR recording of a TV program.

CC Button - Press to activate the Closed Captioning options. Repeatedly press the CC button with scroll the options available on the TV screen.



POWER Button - Press the Power button to turn the TV on or off.

FRONIE Button - Allows you to delete stored channels within the "Quadra Surf" lists for the colored buttons.

AUTO PICTURE Button - Press repeatedly to choose from 4 different factory pre-defined picture settings. Choose from Personal (how you set the Picture Menu adjustment controls), Movies (when watching movies), Sports (for any sporting event), or Weak Signal (used when the signal being received is not the best).

STATUS/EXIT Button - Press to display the current channel number. If the onscreen menu is displayed, press the Status/Exit button will remove it from the TV's screen.

CURSOR \blacktriangleright , \blacktriangleleft , \blacktriangleright , or \blacksquare **Buttons** - Press to navigate, select and adjust controls within the onscreen menu after the Menu button is pressed. These buttons also can be used with a VCR and when the TV/VCR/ACC Switch is in the VCR position. Press the \blacktriangleright to PLAY, \blacktriangleleft to REWIND, \blacktriangleright to FAST FORWARD, or \blacksquare to STOP the viewing of a prerecorded video tape. Also use the CURSOR UP or DOWN \updownarrow to activate or deactivate the EXPAND 4:3 screen formatting control.

CH(annel) + or - Buttons - Press to select channels in ascending or descending order.

SLEEP Button - Press the Sleep button to set the TV to automatically turn itself off after a set period of time. Press repeatedly to select 15, 30, 45, 60, 90, 120, or 180 minutes.

II PAUSE Button - Press to pause the viewing of a prerecorded video. The picture will freeze on the screen until the Play or Pause buttons are pressed again.

NUMBERED (0-9) Buttons - Press the numbered buttons to select TV channels or to enter certain values within the onscreen menu. For single channel entries, press the numbered button for the channel you desire. The TV will pause for a second or two before changing to the chosen channel.

A/CH Button - (Alternate Channel) Press to toggle between the last view channel and the channel presently being viewed.



HOOKING UP THE TV

CABLE/CABLE BOX TV

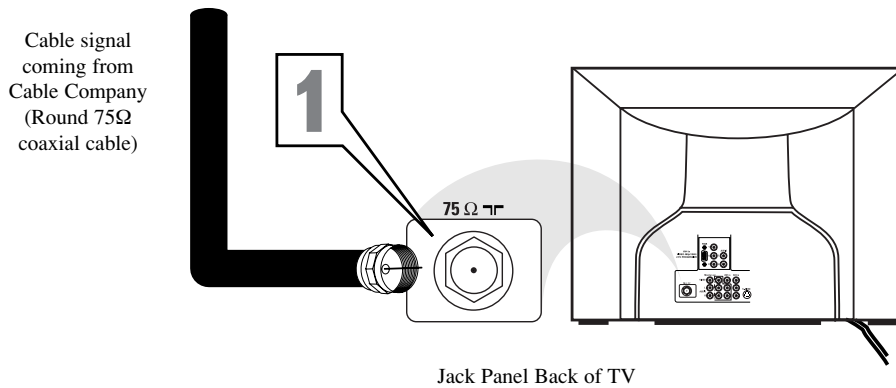
Your Cable TV input into your home may be a single (75 ohm) cable or use a cable box decoder. In either case the connection is very simple. Follow the steps below to connect your cable signal to your new television.

Direct Cable Connections:

This connection will supply Stereo sound to the TV.

- 1 Connect the open end of the round Cable Company supplied cable to the 75Ω input on the TV. Screw it down finger tight.

Direct Cable Connection:



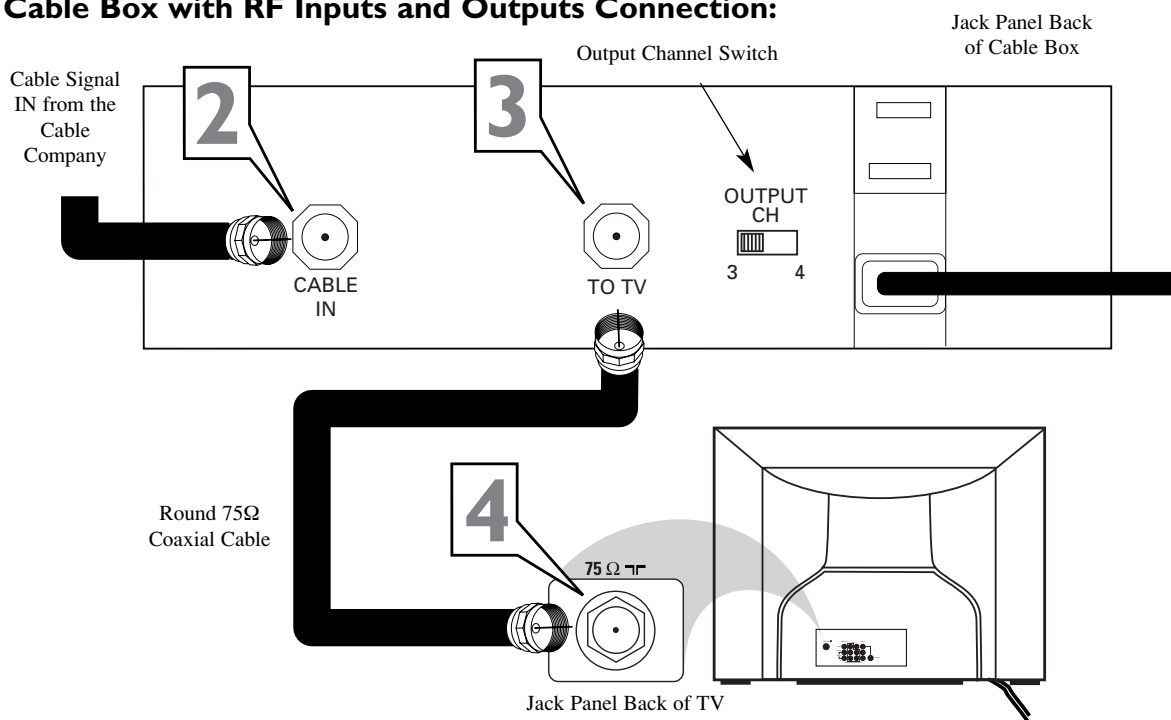
Cable Box (w/RF In/Outputs):

This connection will NOT supply Stereo sound to the TV. The sound from the cable box will be mono.

- 2 Connect the open end of the round Cable Company supplied cable to the cable signal IN(put) plug on the back of the Cable Box.
- 3 Using a separate round coaxial cable, connect one end to the OUT(put) (TO TV) plug on the back of the Cable Box.
- 4 Connect the other end of the round coaxial cable to the 75Ω input on the back of the television. Screw it down finger tight.

NOTE: Be sure to set the OUTPUT CHANNEL SWITCH on the back of the cable box to CH 3 or 4, then tune the TV to the corresponding channel. Once tuned, change channels at the cable box, not the television.

Cable Box with RF Inputs and Outputs Connection:



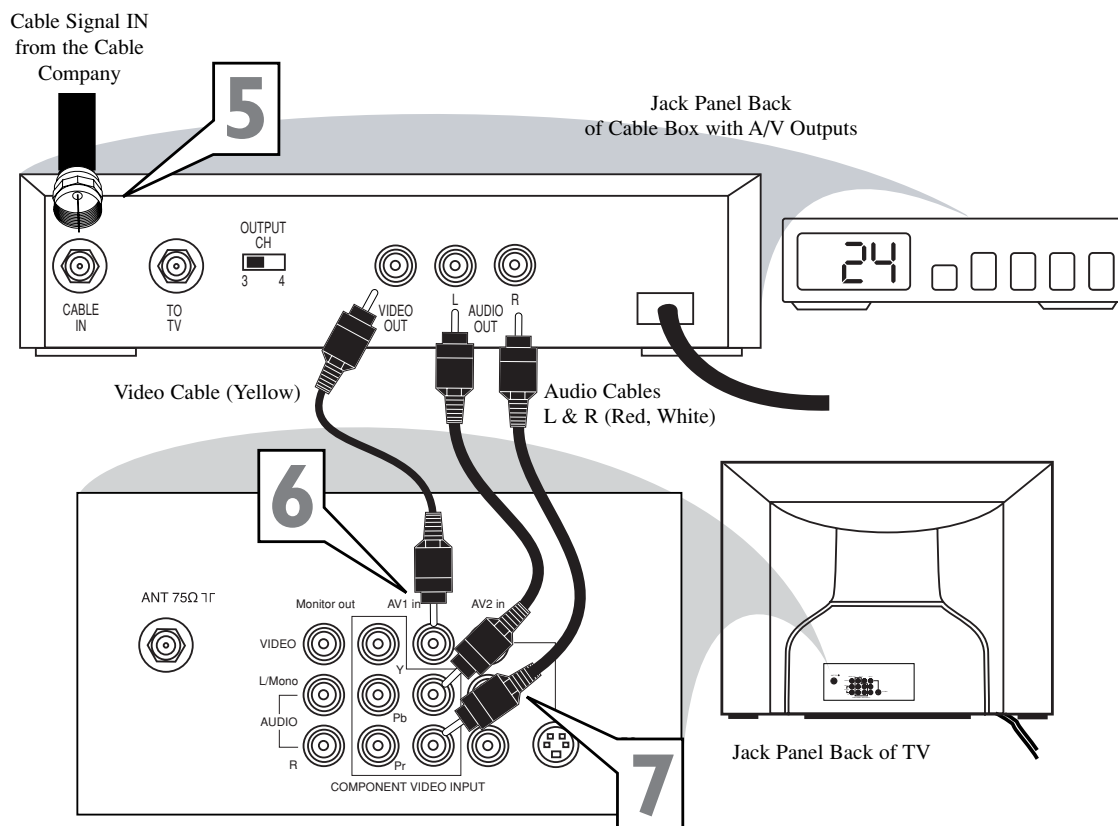
Cable Box (w/Audio/Video Outputs):

This connection will supply Stereo sound to the TV.

- 5 Connect the open end of the round Cable Company supplied cable to the cable signal IN(put) plug on the back of the Cable Box.
- 6 Using a RCA type Video Cable, connect one end of the cable to the Video (or ANT, your cable box may be labeled differently) Out jack on the cable box and the other end to the AV1 Video Input on the TV.
- 7 Using a RCA type Audio Left and Right Cable, connect one end to the left and right Audio Out L & R jacks on the cable box. Connect the other end to the AV1 Audio L & R Input jacks on the TV.

NOTE: Use the Channel +, or - buttons on the TV remote control to tune to the AV1 channel for the cable box signal. Once tuned, change channels at the cable box, not the television.

Cable Box with Audio/Video Outputs Connection:

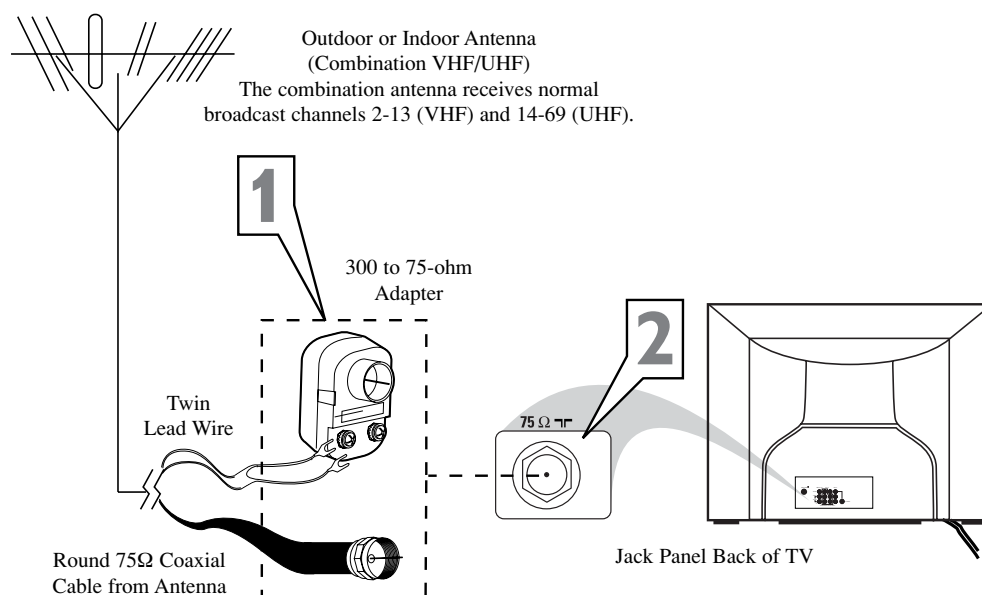


ANTENNA TV

A combination antenna receives normal broadcast channels (VHF 2-13 and UHF 14-69). Your connection is easy because there is only one 75Ω (ohm) antenna plug on the back of your TV, and that's where the antenna goes.

- 1 If your antenna has a round cable (75 ohm) on the end, then you're ready to connect it to the TV. If your antenna has flat, twin-lead wire (300 ohm), you first need to attach the antenna wires to the screws on a 300- to 75-ohm adapter.
- 2 Push the round end of the adapter (or antenna) onto the 75Ω (ohm) plug on the back of the TV. If the round end of the antenna wire is threaded, screw it down finger tight.

Antenna Connection:



HOOKING UP THE TV

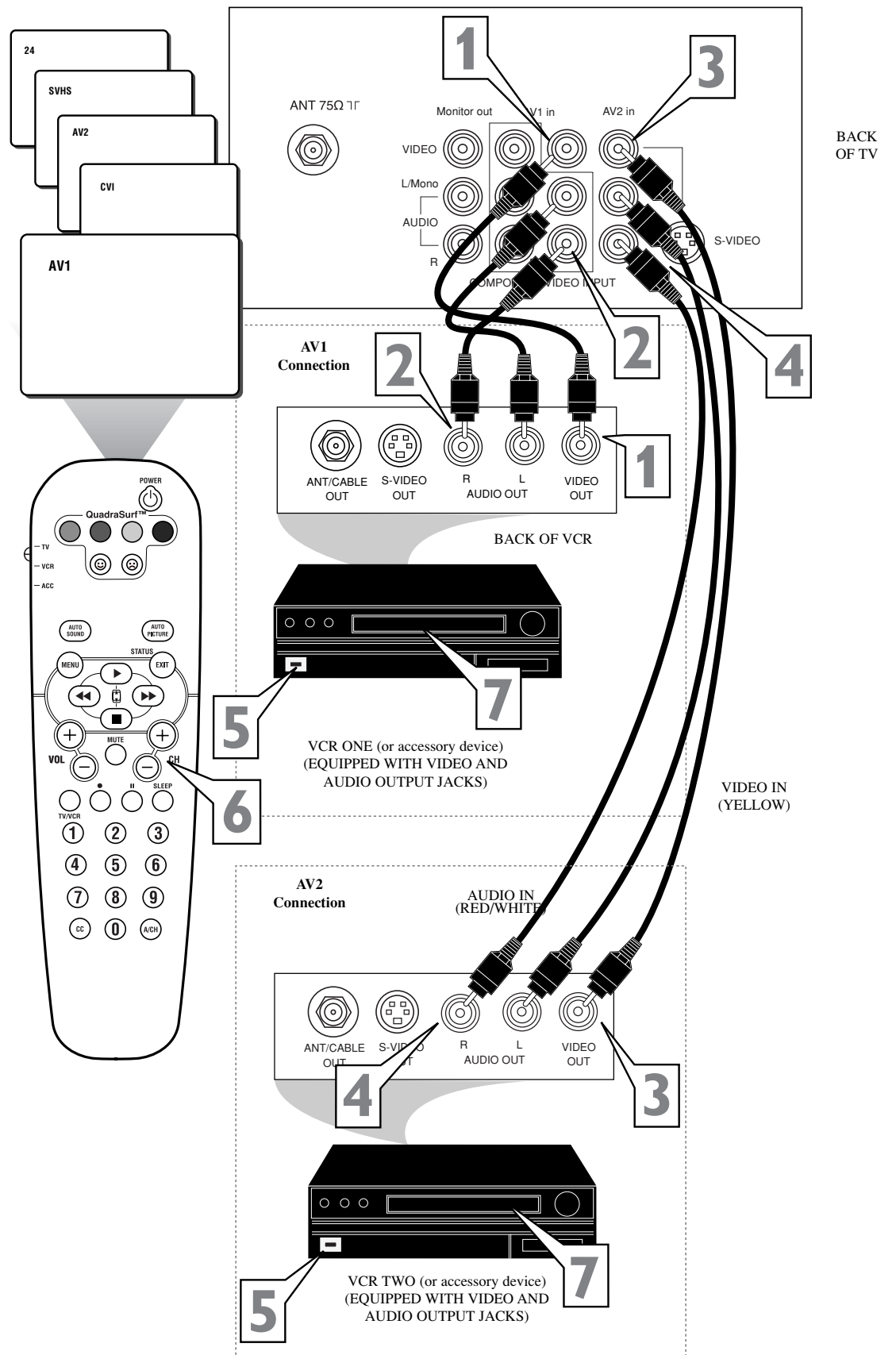
AVI & AV2 INPUTS

The TV's audio/video input jacks are for direct picture and sound connections between the TV and a VCR (or similar device) that has audio/video output jacks. Both the AV1 and AV2 Input Jack connections are shown on this page, but either one can be connected alone. Follow the easy steps below to connect your accessory device to the AV1 and AV2 in Jacks located on the back of the TV.

- 1** Connect the VIDEO (yellow) cable to the VIDEO AV1 in (or AV2 in) jack on the back of the TV.
- 2** Connect the AUDIO (red and white) cables to the AUDIO (left and right) AV1 in (or AV2 in) jacks on the rear of the TV.
- 3** Connect the VIDEO (yellow) cable to the VIDEO OUT jack on the back of the VCR (either one or two) or accessory device being used.
- 4** Connect the AUDIO (red and white) cables to the AUDIO (left and right) OUT jacks on the rear of the VCR (either one or two) or accessory device being used.
- 5** Turn the VCR (either one or two) or accessory device and the TV ON.
- 6** Press the CH + or - buttons on the remote control to select the AV1 channel for accessory device number one, or the AV2 channel for accessory device number two. AV1 or AV2 will appear in the upper left corner on the TV screen depending on the channel chosen.
- 7** With either of the VCRs (or accessory devices) ON and a prerecorded tape (CD, DVD, etc.) inserted, press the PLAY button to view the tape on the television.

✓ CHECK IT OUT

Note: The Audio/Video cables needed for this connection are not supplied with your TV. Please contact your dealer or Philips at 800-531-0039 for information about purchasing the needed cables.



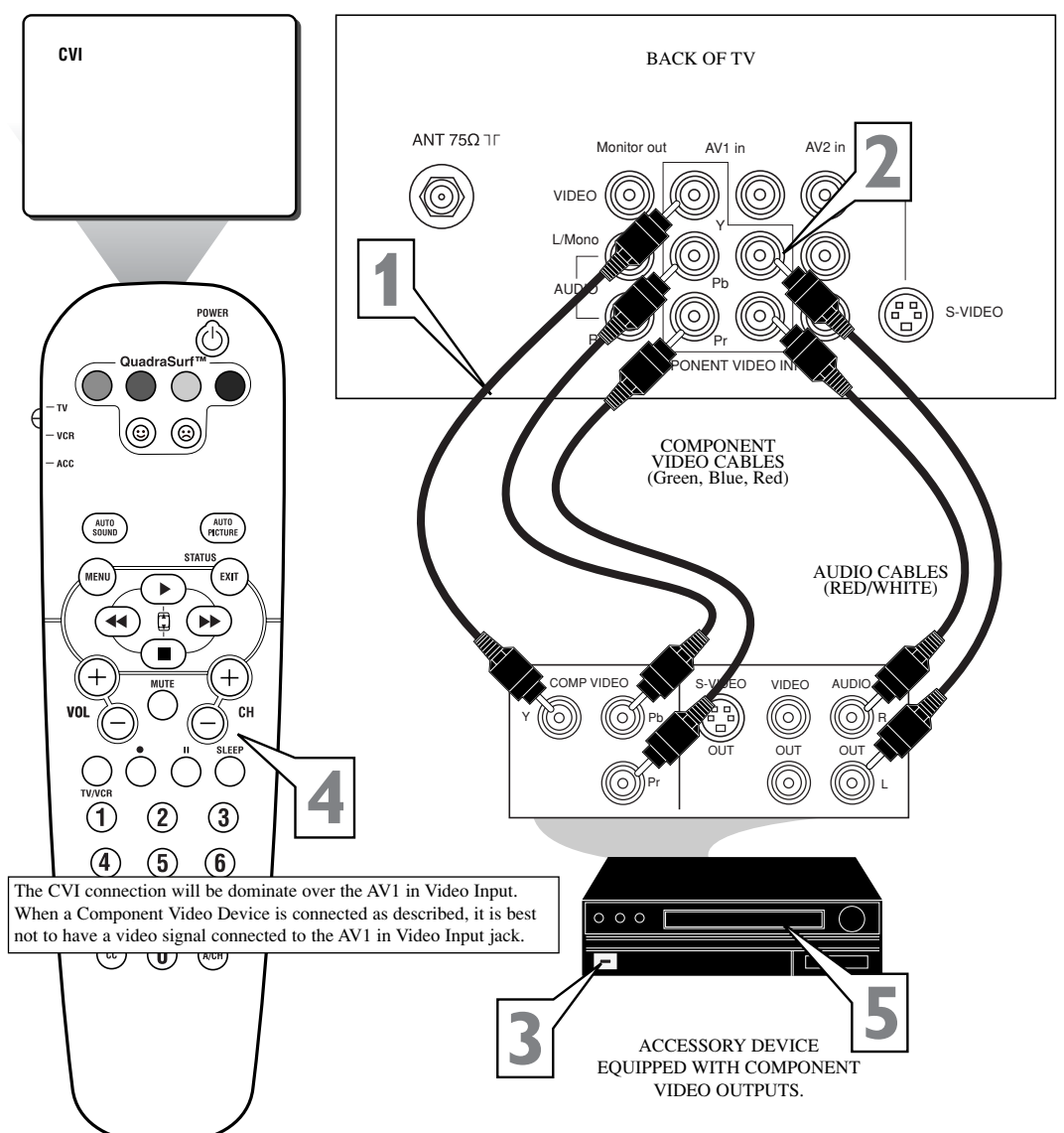
COMPONENT VIDEO INPUTS

Component Video inputs provide for the highest possible color and picture resolution in the playback of digital signal source material, such as with DVD players. The color difference signals (Pb, Pr) and the luminance (Y) signal are connected and received separately, which allows for improved color bandwidth information (not possible when using composite video or S-Video connections).

- 1** Connect the Component (Y, Pb, Pr) Video OUT jacks from the DVD player (or similar device) to the (Y, Pb, Pr) in(put) jacks on the TV. When using the Component Video Inputs, it is best not to connect a signal to the AV1 in Video Jack.
- 2** Connect the red and white AUDIO CABLES to the Audio (left and right) output jacks on the rear of the accessory device to the Audio (L and R) AV1 in Input Jacks on the TV.
- 3** Turn the TV and the DVD (or digital accessory device) ON.
- 4** Press the CH +, - buttons to scroll the available channels until CVI appears in the upper left corner of the TV screen.
- 5** Insert a DVD disc into the DVD player and press the PLAY button on the DVD Player.

HELPFUL HINT

The description for the component video connectors may differ depending on the DVD player or accessory digital source equipment used (for example, Y, Pb, Pr; Y, B-Y, R-Y; Y, Cr, Cb). Although abbreviations and terms may vary, the letters *b* and *r* stand for the blue and red color component signal connectors, and *Y* indicates the luminance signal. Refer to your DVD or digital accessory owner's manual for definitions and connection details.



The CVI connection will dominate over the AV1 in Video Input. When a Component Video Device is connected as described, it is best not to have a video signal connected to the AV1 in Video Input jack.

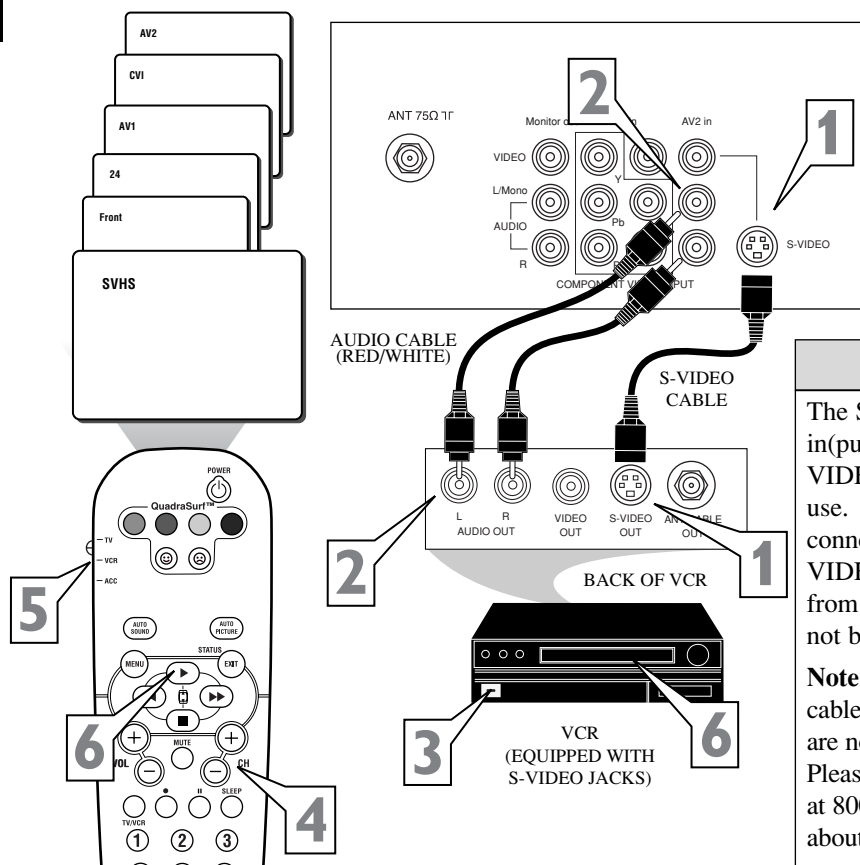
HOOKING UP THE TV

S-VIDEO INPUTS

The S(uper)-Video connection on the rear of the TV can provide you with better picture detail and clarity for the playback of accessory sources than the normal antenna picture connections.

NOTE: The accessory device must have an S-VIDEO OUT (put) jack in order for you to complete the connection on this page.

- 1** Connect one end of the S-VIDEO CABLE to the S-VIDEO jack on the back of the TV. Then connect one end of the AUDIO (red and white) CABLES to the AV2 in AUDIO L and R(left and right) jacks on the rear of the TV.
- 2** Connect other end of the S-VIDEO CABLE to the S-VIDEO OUT jack on the back of the VCR. Then connect the other ends of the AUDIO (red and white) CABLES to the AUDIO (left and right) OUT jacks on the rear of the VCR.
- 3** Turn the VCR and the TV ON.
- 4** Press the CH + or - buttons on the remote to scroll the channels until SVHS appears in the upper left corner of the TV screen.
- 5** Slide the TV/VCR/ACC switch to the VCR position.
- 6** Now your ready to place a prerecorded video tape in the VCR and press the PLAY button.



HELPFUL HINT

The S-VIDEO and VIDEO AV2 in(puts) are in parallel. The S-VIDEO input is dominant when in use. If separate video signals are connected to the S-VIDEO and VIDEO AV2 in(puts), the signal from the VIDEO AV2 in(put) will not be usable.

Note: The S-Video and Audio cables needed for this connection are not supplied with your TV. Please contact your dealer or Philips at 800-531-0039 for information about purchasing the needed cables.

MONITOR OUTPUTS

The Monitor (Audio/Video) out jacks are great for recording with a VCR or used to connect an external audio system for better sound reproduction.

For Audio System Connection:

- 1** Connect one end of the R(ight) and L(ef) AUDIO (Monitor Out) jacks on the TV to the R and L audio input jacks on your amplifier or sound system. Set the audio system's volume to a normal listening level.
- 2** Turn the TV and audio system ON. You can now adjust the sound level coming from the audio system with the VOLUME (+) or (-) button on the TV or remote control.

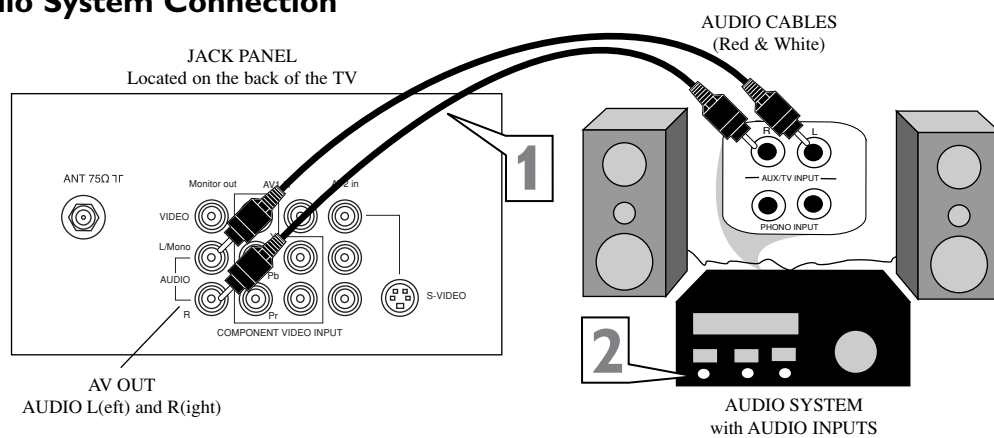
For Second VCR Connection/Recorder:

NOTE: Refer to page 9 for the proper hookup of the first VCR. Follow the instructions on how to tune to the AV 1 channel to view a pre-recorded tape.

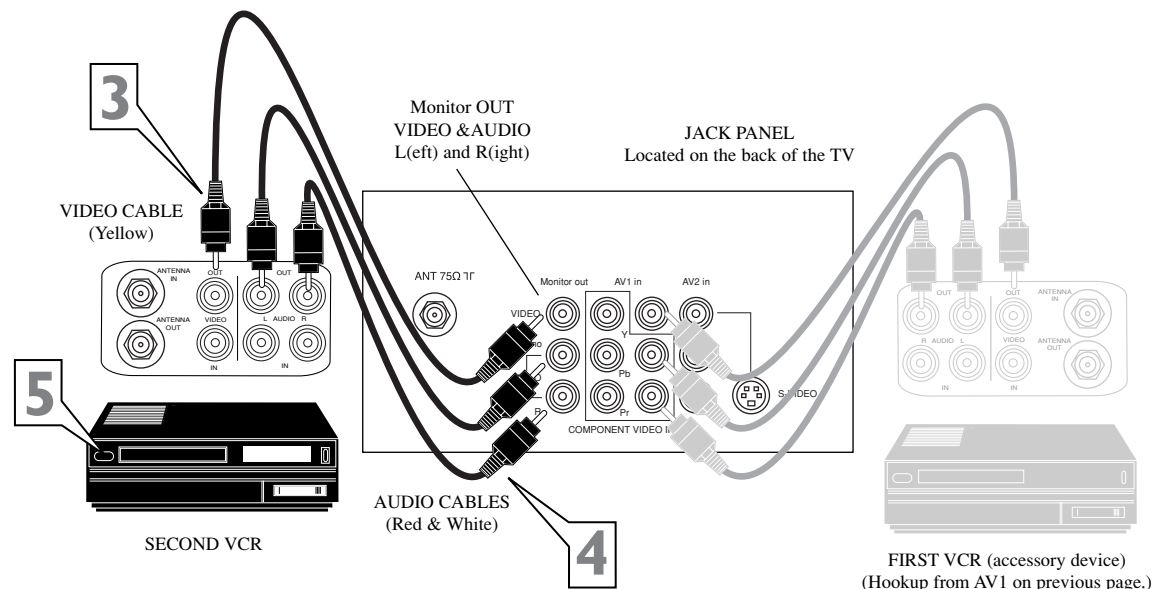
The following steps allow you to connect a second VCR to record the program while your watching it.

- 3** Connect one end of the yellow Video Cable to the Monitor out VIDEO plug. Connect the other end to the VIDEO IN plug on the second VCR.
- 4** Connect one end of the red and white Audio cable from the Monitor out AUDIO L and R plugs on the TV to the AUDIO IN plugs on the VCR.
- 5** Turn the Second VCR ON, insert a black VHS tape and it's ready to record what's being viewed on the TV screen.

Audio System Connection



Second VCR Connection/Recorder



SIDE AUDIO/VIDEO INPUTS

Audio and Video Side Inputs are available for a quick connection of a VCR, to playback video from a camera or attach a gaming device. Use the CH + or - buttons on the remote control to tune these inputs.

- 1** Connect the video (yellow) cable from the Video output on the Camera (or accessory device) to the Video (yellow) Input located on the Side of the TV.
- 2** For Stereo Devices: Connect the audio cable (red and white) from the Audio Left and Right Outputs on the Camera to a Stereo to Mono adapter. Then plug the single end of the adapter to the Audio In (white) jack on the Side of the television.
For Mono Devices: Connect one end of the audio cable from the Audio Out jack on the device to the Audio In (white) jack on the Side of the television.
- 3** Turn the TV and the accessory device ON.
- 4** Press the CH + or - buttons on the remote control to tune the TV to the side input jacks. "Front" will appear on the TV screen.
- 5** Press the PLAY button on the accessory device to view playback, or to access the accessory device (camera, gaming unit, etc.).

