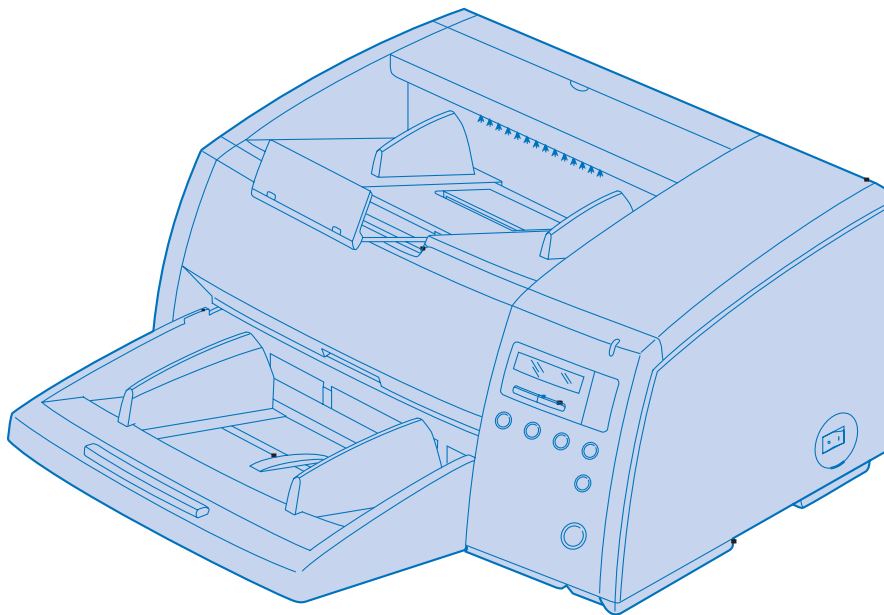


Panasonic

High Speed Scanner

Operating Instructions

Model No. **KV-S2065L / KV-S2065W**



These instructions contain the information on operating the scanner. Before reading these instructions, please go through the installation manual enclosed with this unit.

Please carefully read these instructions, the enclosed installation manual and maintenance manual. Keep these documentation in safe place for future reference.

Keep the CD-ROM in the protective case. Do not expose the CD-ROM to direct sunlight or extreme heat and do not scratch or smudge the surface of the CD-ROM.

Thank you for purchasing a Panasonic “High Speed Scanner”.

- For the versatile solution for imaging needs. Panasonic developed Panasonic Image Enhancement Technology to improve the quality of your originals.
- Red and Green lamp setting right from the display panel to select dropout color quite easily.
- With these easy-to-use functions, reliable paper handling, easy maintenance and more, Panasonic would like to contribute to your imaging needs.
- Difference between the KV-S2065L and KV-S2065W is only scanning document size. Please refer to [page 47](#) “Specifications” for details.

■ System Requirements

When using the scanner, the required host computer conditions are as follows.

CPU	Pentium® 166MHz or higher (Pentium® III, Celeron™ processor or higher is recommended.)
Memory (RAM)	64 MB or higher (128 MB or higher is recommended.)
OS	Windows® 95 / Windows® 98 / Windows NT® / Windows® 2000 / Windows® Me
SCSI board	Adaptec Brand AHA-1540 / 2930 / 2940 / 19160 / 29160 Series are recommended.

※ The scanning speed differs depending on the host computer operating environment or application.

Important

- Do not duplicate currency.
- Do not duplicate copyrighted material or the work of others except for the purpose of private use.
- Do not duplicate any kind of certificates, licenses, passports, official or private documents, and the like.



As an ENERGY STAR® Partner, Panasonic has determined that this product meets the ENERGY STAR® guidelines for energy efficiency.
(ENERGY STAR is a U.S. registered mark.)

- Windows® 95 is Microsoft® Windows® 95 operating system.
- Windows® 98 is Microsoft® Windows® 98 operating system.
- Windows NT® is Microsoft® Windows NT® operating system.
- Windows® 2000 is Microsoft® Windows® 2000 operating system.
- Microsoft®, Windows® and Windows NT® are either registered trademarks or trademarks of Microsoft Corporation in the United States and / or other countries.
- Pentium® is registered trademarks of Intel Corporation.
- Celeron™ is trademark of Intel Corporation.
- Each company's name or company product name is each company's trademark or registered trademark.

The information given in these Operating Instructions is subject to change without notice.

Table of Contents

Page

Before You Start

Notice	4
Precautions	10
Component Identification	12

Operation

Display Panel Instructions	13
• Display panel and keys	13
• Setting the scanner	15
Loading Documents	30
Secondary Settings	33
• Selecting the paper path for scanned document	33
• Setting the ADF / manual feed selector	33
Others	34
• How to use the control sheet	34

Care and Maintenance

Clearing Paper Jams	35
• Removing paper jams from the scanner	35
• Removing paper jams from the exit path	35
Cleaning the Unit	36
• Outside of the scanner	36
• Inside the scanner	36
• Cleaning the rollers	36
• Cleaning the scanning section glass, sensor rollers, document sensors and double feed detection sensors	38
• Roller cleaning paper	40
Replacing Consumables	41

Appendix

Repacking Instructions	46
Specifications	47
Troubleshooting	49
Index	52

※ German display on the display panel is described on [page 14](#).

Notice

Federal Communications Commission Requirements

(For United States only)

Note : This equipment has been tested and found to comply with the limits for a Class A digital device, pursuant to part 15 of the FCC Rules. These limits are designed to provide reasonable protection against harmful interference when the equipment is operated in a commercial environment. This equipment generates, uses, and can radiate radio frequency energy and, if not installed and used in accordance with the instruction manual, may cause harmful interference to radio communications. Operation of this equipment in a residential area is likely to cause harmful interference in which case the user will be required to correct the interference at his own expense.

FCC Warning : To assure continued FCC compliance, the user must use only shielded interface cable and the provided power supply cord. Also, any unauthorized changes or modifications to this equipment would void the user's authority to operate this device.

English

WARNING:

TO PREVENT FIRE OR SHOCK HAZARD, DO NOT EXPOSE THIS PRODUCT TO RAIN OR ANY TYPE OF MOISTURE.

THE SOCKET-OUTLET MUST BE NEAR THIS EQUIPMENT AND MUST BE EASILY ACCESSIBLE.

Français

Avertissement:

Pour éviter tout risque d'incendie ou de choc électrique, ne pas soumettre cet appareil à la pluie ou à l'humidité.

“La prise secteur devra se trouver à proximité de l'appareil et être facilement accessible.”

Deutsch

Warnung:

Zur Verhütung von Feuer dem und elektrischem Schlag dieses Erzeugnis nicht Regen oder sonstiger Feuchtigkeit aussetzen.

Die Steckdose muß nahe bei diesem Gerät angebracht und leicht zugänglich sein.

Für Benutzer in der BRD

Hinweis:

Der arbeitsplatzbezogene Geräuschemissionswert dieses Gerätes beträgt ≤ 70 dB(A) nach DIN 45635 Teil 19.

Español

AVISO:

PARA EVITAR LLAMAS O DESCARGAS ELÉCTRICAS NO EXPONGA ESTE APARATO A LA LLUVIA NI A LA HUMEDAD.

LA TOMA DE CORRIENTE DEBERÁ ESTAR CERCA DE ESTE EQUIPO Y EN UN LUGAR DE FÁCIL ACCESO.

Svenska

VARNING:

UTSÄTT INTE DENNA APPARAT FÖR REGN ELLER NÅGON FORM AV FUKT. DET KAN ORSAKA ELDSVÅDA ELLER ELEKTRISKA STÖTAR.

Vägguttaget måste vara nära apparaten och vara lätt tillgängligt.

한국어

경고:

화재 또는 감전의 위험을 방지하기 위하여 본 제품을 비 또는 여하한 형태의 습기에 노출시키지 않도록 하여 주십시오 .

소켓 코드 구멍은 반드시 본 기기의 가까이에 있어야 하며 쉽게 손댈 수 있는 곳에 설치되어 있어야 합니다.

在臺灣的使用者

警告

為防止發生火災和電擊，切勿將本機置於會遭到雨淋或其他任何類型的潮濕環境中。


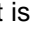
電源插座務必要靠近本設備而且必須便於插拔。

Notice

For your safety please read the following text carefully.

(For United Kingdom only)

This appliance is supplied with a moulded three pin mains plug for your safety and convenience.

A 5 amp. fuse is fitted in this plug. Should the fuse need to be replaced please ensure that the replacement fuse has a rating of 5 amps. and that it is approved by ASTA or BSI to BS1362. Check for the ASTA mark  or the BSI mark  on the body of the fuse. If the plug contains a removable fuse cover you must ensure that it is refitted when the fuse is replaced. If you lose the fuse cover the plug must not be used until a replacement cover is obtained. A replacement fuse cover can be purchased from your local Panasonic Dealer.

If the fitted moulded plug is unsuitable for the socket outlet in your home then the fuse should be removed and the plug cut off and disposed of safely.

There is danger of severe electrical shock if the cut off plug is inserted into any 13 amp. socket.


If a new plug is to be fitted please observe the wiring code as shown below. If in any doubt please consult a qualified electrician.

WARNING : This appliance must be earthed.

IMPORTANT : The wires in this mains lead are coloured in accordance with the following code.

Green-and-Yellow	: Earth
Blue	: Neutral
Brown	: Live

As the colours of the wire in the mains lead of this appliance may not correspond with the coloured markings identifying the terminals in your plug, proceed as follows.

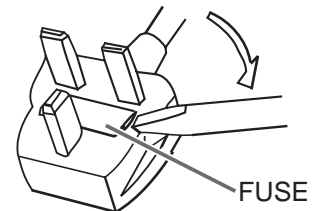
The wire which is coloured Green-and-Yellow must be connected to the terminal in the plug which is marked with the letter E or by the Earth symbol  or coloured Green-and-Yellow.

The wire which is coloured Blue must be connected to the terminal in the plug which is marked with the letter N or coloured Black.

The wire which is coloured Brown must be connected to the terminal in the plug which is marked with the letter L or coloured Red.

How to replace the fuse :

Open the fuse compartment with a screwdriver and replace the fuse.



English

The product should be used only with a power cord that is supplied by the manufacturer.

Français

Le produit ne devra être utilisé qu'avec le cordon d'alimentation fourni par le fabricant.

Deutsch

Dieses Gerät darf nur mit dem vom Hersteller gelieferten Netzkabel verwendet werden.

Español

Este producto deberá utilizarse solamente con el cable de alimentación suministrado por el fabricante.

Svenska

Produkten får endast anslutas med den av tillverkaren medlevererade nätkabeln.

한국어

본 제품에는 제작 업체에 의하여 공급된 전원 코드만을 사용하여야 합니다.

在臺灣的使用者

警告使用者

這是甲類的資訊產品，在居住的環境中使用時，可能會造成射頻干擾，在這種情況下，使用者會被要求採取某些適當的對策。

Notice

For roller cleaning paper

Before using the roller cleaning paper, please read these instructions completely. Keep these instructions for future reference.

English

WARNING

- Do not drink or inhale the roller cleaning paper fluid including isopropyl alcohol.
- The roller cleaning paper may be harmful to sensitive skin, so please use protective gloves.
- Do not use the roller cleaning paper near a heater or open flame.
- Do not store the roller cleaning paper in direct sunlight or in a place over 40 °C (104 °F).
- Only use the roller cleaning paper to clean the rollers and scanning area.
- If you need more information about the roller cleaning paper, please refer to the Material Safety Data Sheet (MSDS).
- Please ask your Panasonic sales company about obtaining the Material Safety Data Sheet.

KEEP AWAY FROM FIRE.

Français

Avertissement

- Ne pas absorber le liquide du papier de nettoyage de rouleaux fourni ni en respirer les émanations car il contient de l'alcool isopropylique.
- Le papier de nettoyage de rouleaux pouvant être néfaste pour les peaux sensibles, utiliser des gants de protection.
- Ne pas utiliser le papier de nettoyage de rouleaux à proximité d'un feu ou d'une flamme vive.
- Ne pas ranger le papier de nettoyage de rouleaux en plein soleil ni à une température dépassant 40 °C (104 °F).
- Utiliser le papier de nettoyage de rouleaux exclusivement pour le nettoyage des rouleaux et de la surface de balayage.
- Pour tout renseignement complémentaire sur le papier de nettoyage de rouleaux, voir la feuille de données sur la sécurité du matériel.
- Pour la feuille de données sur la sécurité du matériel, s'adresser au revendeur Panasonic.

NE PAS APPROCHER DU FEU.

Deutsch

WARNUNG

- Die Walzenreinigungspapier-Reinigungsflüssigkeit enthält Isopropylalkohol und darf auf keinen Fall getrunken oder inhaliert werden.
- Bitte Schutzhandschuhe tragen, da das Walzenreinigungspapier bei empfindlicher Haut Reizungen verursachen kann.
- Das Walzenreinigungspapier nicht in der Nähe von Heizgeräten oder offenen Flammen verwenden.
- Das Walzenreinigungspapier nicht in direkter Sonneneinstrahlung oder an Orten lagern, an denen Temperaturen von mehr als 40 °C erreicht werden.
- Zum Reinigen der Walzen und des Scanbereichs ausschließlich das Walzenreinigungspapier verwenden.
- Weitere Informationen zum Walzenreinigungspapier sind dem Materialsicherheits-Datenblatt zu entnehmen.
- Das Materialsicherheits-Datenblatt ist auf Wunsch von Ihrem Panasonic-Fachhändler erhältlich.

VON FEUER FERNHALTEN!

Español

ADVERTENCIA

- No beba el líquido del papel de limpieza de rodillos ni aspire las emanaciones del alcohol isopropílico que contiene.
- El papel de limpieza de rodillos puede ser perjudicial para las pieles sensibles, así que póngase guantes de protección.
- No utilice el papel de limpieza de rodillos cerca de una calefacción o una llama.
- No guarde el papel de limpieza de rodillos expuesto a la luz solar directa ni en un lugar donde la temperatura sea superior a 40°C.
- Utilice solamente papel de limpieza de rodillos para limpiar los rodillos y el área de escaneado.
- Si necesita más información acerca del papel de limpieza de rodillos, consulte la hoja de datos de seguridad del material (MSDS).
- Pregunte a la compañía de ventas Panasonic cómo obtener la hoja de datos de seguridad del material.

MANTÉNGALO ALEJADO DEL FUEGO.

한국어

경고

- 아이소프로필 알코올을 포함하여 롤러 클리닝 페이퍼 액을 마시거나 흡입하지 않도록 하여 주십시오.
- 롤러 클리닝 페이퍼는 민감한 피부에 손상을 입힐 우려가 있으므로 사용 시에는 보호 장갑을 착용하여 주십시오.
- 롤러 클리닝 페이퍼를 히터 또는 노출된 화염 근처에서 사용하지 않도록 하여 주십시오.
- 롤러 클리닝 페이퍼를 직사 일광이 비치는 곳 또는 섭씨 40 도(화씨 104 도)를 넘는 곳에 보관하지 않도록 하여 주십시오.
- 롤러 클리닝 페이퍼는 롤러와 스캐닝 부분을 청소하는 데에만 사용하여 주십시오.
- 롤러 클리닝 페이퍼에 관한 더 자세한 정보를 원할 때에는 물질 안전 데이터 시트 (Material Safety Data Sheet: MSDS)를 참조하여 주십시오.
- 물질 안전 데이터 시트는 Panasonic 판매 대리점에서 입수할 수 있습니다.

화기로부터 멀리 할 것.

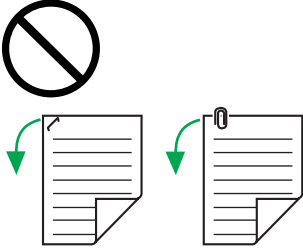

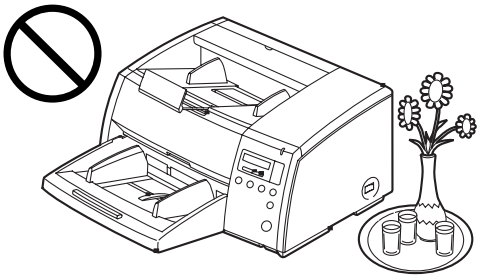

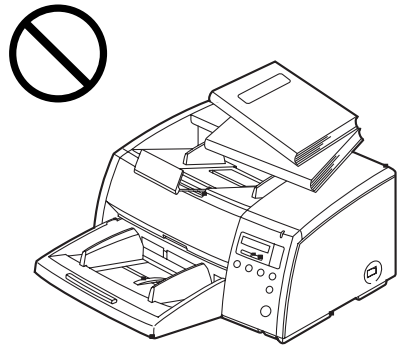

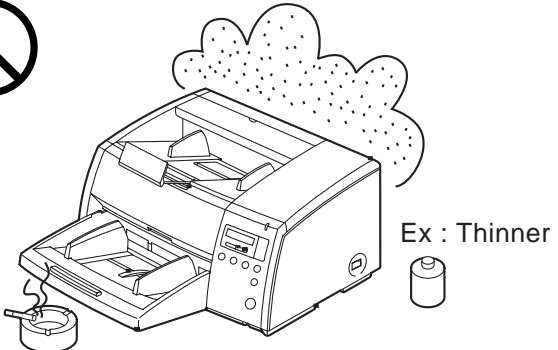


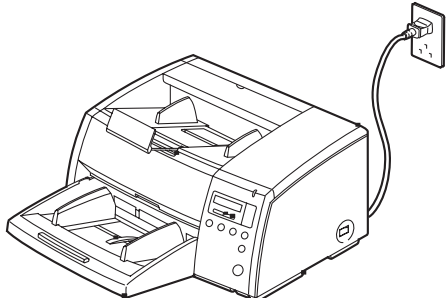

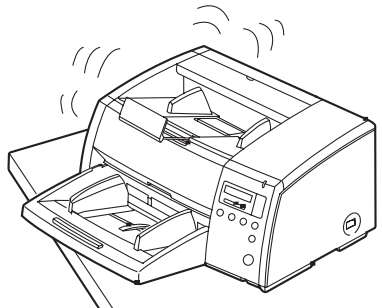

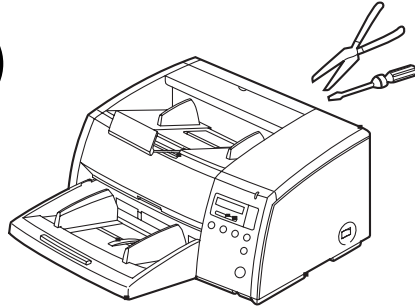

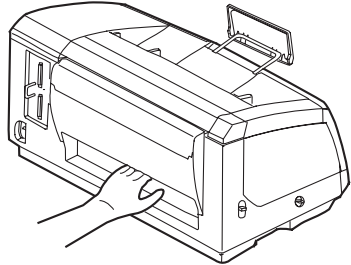

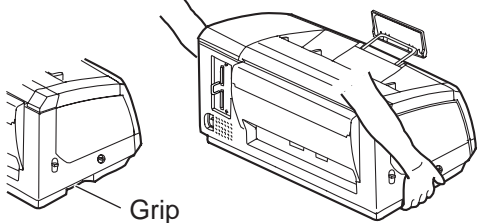

在臺灣的使用者

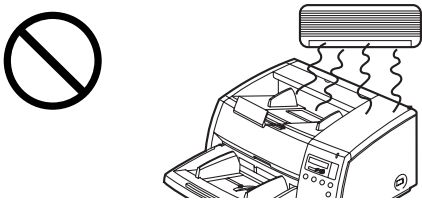
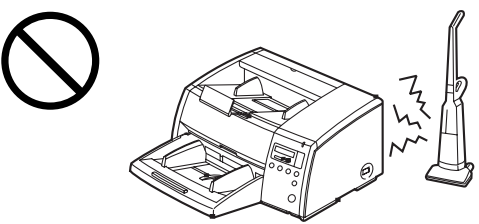
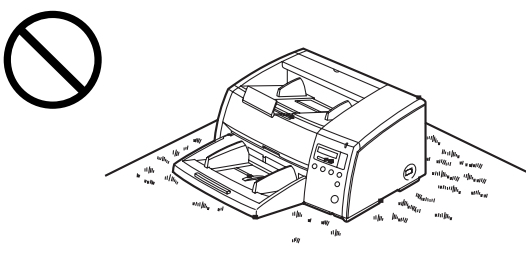
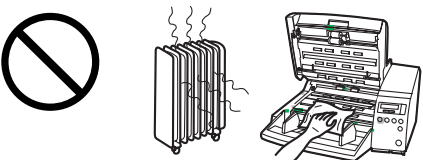
警告

- 切勿將含有異丙醇的輓清潔紙液誤飲或吸入。
 - 輓清潔紙可能對敏感的皮膚有害，因此請戴上防護手套使用。
 - 切勿靠近加熱器具或明火使用輓清潔紙。
 - 切勿將輓清潔紙在陽光直射或溫度超過40°C之處保管。
 - 只能使用輓清潔紙來清潔輓和掃描區域。
 - 有關輓清潔紙的具體細節請參閱材料安全數據表(MSDS)。
 - 關於獲取材料安全數據表的方法請向Panasonic銷售公司洽詢。
- 遠離火源。

Precautions

The following precautions are recommended to extend the life of the unit.

<p>Prior to scanning, remove, all staples and paper clips from pages.</p>  	<p>Do not place any liquids near the unit. — Accidental spillage of liquid into the unit may cause severe damage. If this occurs, turn the unit off, unplug the power cord and call for service.</p>  	<p>Do not place books, paper, or other items on the unit.</p>  
<p>Do not place the unit in an area where there is a lot of smoke, dust, chemical fumes or vibration.</p>  <p>Ex : Thinner</p> <p>Ex :</p>  	<p>Do not leave the power cord plugged into the AC outlet if the unit is not used for an extended period.</p>  	
<p>Do not place the unit on an uneven or unstable surface.</p>  	<p>Do not disassemble the unit. This will void your warranty.</p>  	
<p>Do not insert your fingers into the back opening in the scanner.</p>  	<p>When carrying the unit, please hold both side grips.</p>   <p>Grip (On both sides)</p>	

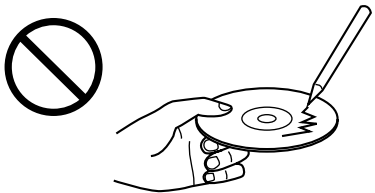
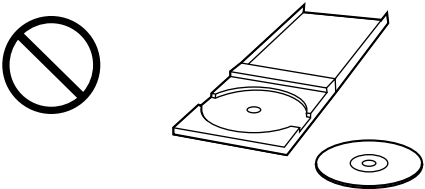
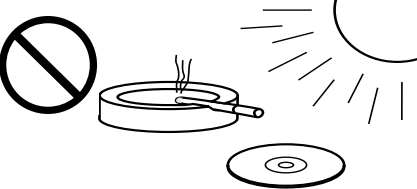
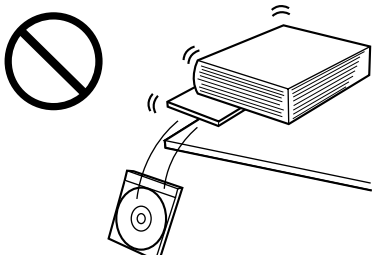
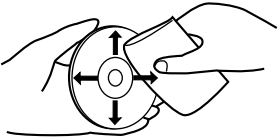
<p>Do not place the unit near a heating appliance or an air conditioning vent. Do not place the unit in a room with extremely high or low humidity.</p> 	<p>Do not place the unit near other appliances which generate large electrical noise.</p> 
<p>Do not place the unit on a carpet. (Static electricity can cause the unit to malfunction.)</p> 	<p>Do not drink or inhale the included roller cleaning paper fluid. The roller cleaning paper may be harmful to sensitive skin, so please use protective gloves. Do not use the roller cleaning paper near a heater or open flame. This may cause a fire.</p> 

●Power Source

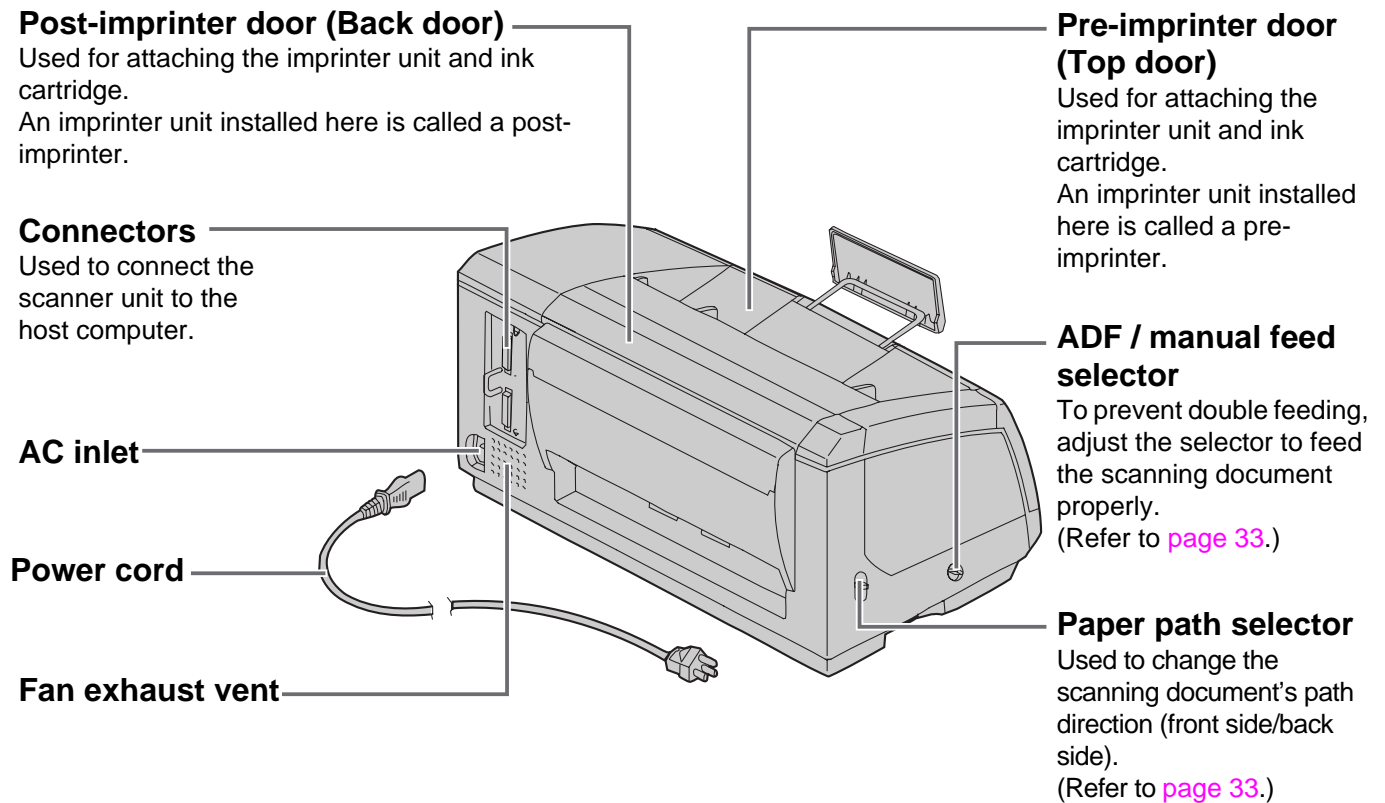
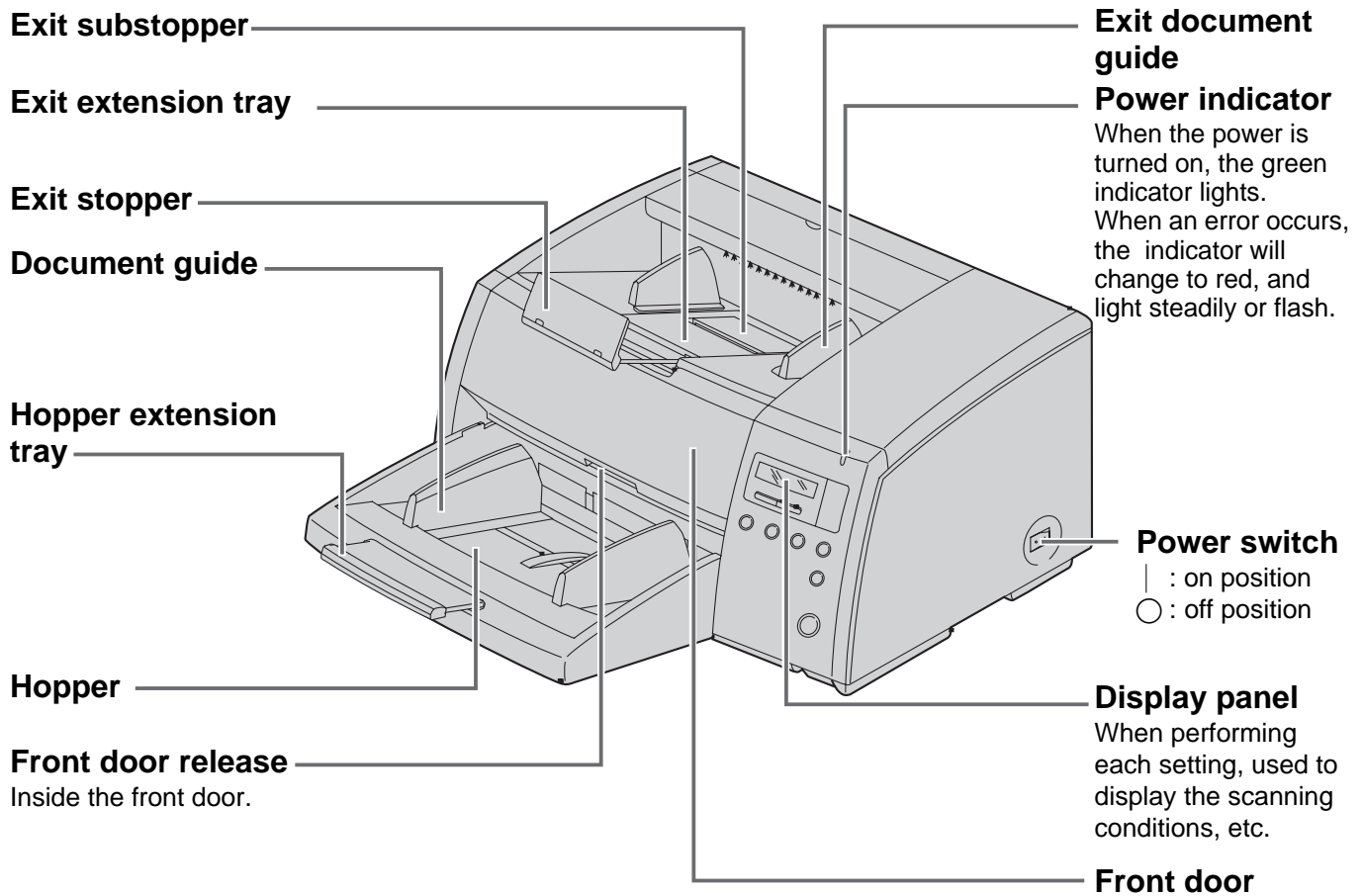
- Use a voltage level that does not vary more than $\pm 10\%$ from the voltage level marked on the nameplate (located on the back side of the scanner).
- Do not use an extension cord.
- This scanner should be connected to a grounded outlet.
- Do not use a line conditioner, transient suppressor or surge protector.

■CD-ROM

To prevent the CD-ROMs from accidental damages:

<p>Do not touch or write on the surface of the disc.</p> 	<p>Do not leave the disc out of the protective case.</p> 	<p>Do not leave the disc in direct sunlight or near heat sources.</p> 
<p>Do not place heavy objects on the disc case or drop the case.</p> 	<p>To clean the disc, hold the disc by its edges and wipe it from the center to the edges with a dry, soft cloth.</p> 	

Component Identification

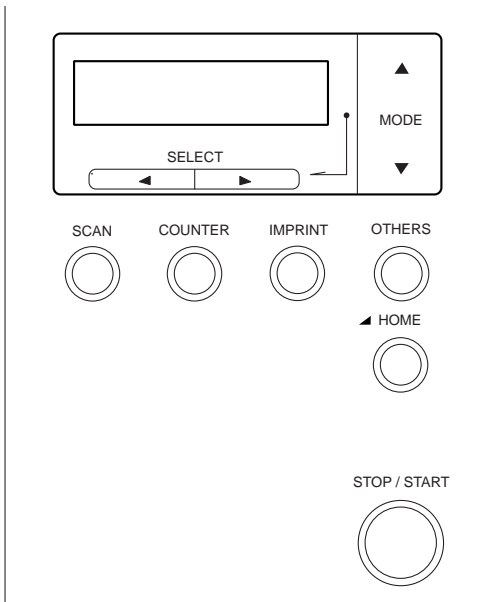



Display Panel Instructions


The required settings must be selected prior to scanning.
 Information and conditions are shown on the LCD (Liquid Crystal Display).


R	e	a	d	y											


■ Display panel and keys





SCAN  : Press to enter the scanning setting menu.


COUNTER  : Press to enter the counter setting menu.

IMPRINT  : Press to enter the imprinter setting menu.

OTHERS  : Press to enter another setting menu.

◀ HOME  : Press to exit from the setting section and return to the ready status. Also, this function can change the display language.

STOP / START  : Used to start or stop scanning a document.

LCD  :

Up to 32 characters can be displayed during scanning or setting.

▲ : Press to advance to the next mode in the selected menu.

▼ : Press to return to the previous mode in the selected menu.

▶ : Press to advance to the next value in the selected mode.

◀ : Press to return to the previous value in the selected mode.

Display Panel Instructions

● Setting the language

- Select English, German or Japanese as the language which is to appear on the LCD display.
- The language setting mode is appeared automatically when the unit's power is turned on for the first time after the unit was purchased. English is the default language.

1 Turn the power on while pressing the HOME key.

- When “High Speed Scanner” or other words appear on the LCD, release the HOME key.

S	e	t		L	a	n	g	u	a	g	e		←	→	
		E	n	g	l	i	s	h		L	e	t	t	e	r

2 Use the ◀ key or the ▶ key to select “English Letter”, “English A4”, “Deutsch A4” or “ニホンゴA4”.

S	e	t		L	a	n	g	u	a	g	e		←	→
		D	e	u	t	s	c	h					A	4

3 Press the HOME key.

- The display will change to the selected language, then the scanner will be ready.
- This setting will remain until it is changed to another setting.

B	e	r	e	i	t										

■ Setting the scanner

The following parameters can be customized using the scanner's various setting modes. If the application software provides these features, it will be supported by the scanner.

Scan menu

No.	Item	LCD display	Contents	Page
01	Front side dropout color	F. Color drop	Color selection for dropout when scanning the front side of a document.	20
02	Front side brightness	F. Brightness	Selection for density when scanning the front side of a document.	
03	Front side image emphasis	F. Emphasis	Selection for emphasis when scanning the front side of a document.	
04	Front side contrast	F. Contrast	Selection for contrast when scanning the front side of a document.	
05	Front side halftone	F. Halftone	Selection for gradation when scanning the front side of a document.	
06	Back side dropout color	B. Color drop	Color selection for dropout when scanning the back side of a document.	21
07	Back side brightness	B. Brightness	Selection for density when scanning the back side of a document.	
08	Back side image emphasis	B. Emphasis	Selection for emphasis when scanning the back side of a document.	
09	Back side contrast	B. Contrast	Selection for contrast when scanning the back side of a document.	
10	Back side halftone	B. Halftone	Selection for gradation when scanning the back side of a document.	
11	Noise reduction	Noise Reduct.	Selection for noise reduction when scanning a document.	22
12	Black line removal	BLK Line Remove	Selection to choose to remove the black lines appearing at the top or bottom or at the left and right edges of the image after scanning the document.	
13	Scanning mode	Scanning Mode	Selects whether documents are scanned at actual size or reduced (Fit to Page) size.	
14	Double feed detection	Double Feed	Selection to choose to detect double feeding function. When scanning very important documents, confirm if the number of scanned pages displayed on the LCD matches the number of actual pages.	
15	Setting the "Double Feed" detector action	Double Feed Action	Selects the action of the Double Feed Detector when double feed occurs.	
16	Setting the double feed detector sensitivity	Double Feed	Selects the sensitivity of the Double Feed Detector.	

Display Panel Instructions

No.	Item	LCD display	Contents	Page
17	Feed speed	Feed Speed	Selection for feed speed when a document is being scanned.	23
18	Save settings (Select memory)	Save Setting	Selects the memory where the conditions are saved into.	
	Save scanning settings (Execution)	Save Setting	Saves the scanning conditions into the memory. (2 memory settings)	
19	Load scanning setting	Load Setting	Loads the memory where the scanning conditions have already been saved. If "Default" is selected, all of the scanning conditions will return to the default values.	

Counter menu

No.	Item	LCD display	Contents	Page
01	Select the counter displayed on the LCD	Disp. Counter	Selection to choose to display the cleared counter (scan counter) after scanning one time or to display the user set counter (user counter) on the LCD.	24
02	Setting the User Counter	User Counter	Selection for default number before scanning.	
	Setting the user counter extender	User Counter	Selection for an increase in the default number.	
	Clear the user counter	User Counter	Clears the counter which was set by the user.	
03	System Count	System Count.	Displays the total amount of scanned documents up to now.	

Imprinter menu

Depending on the setting of the “Counter setting menu”, the page number of the scanned document will be printed. The imprinter option (KV-SS010) is required. If a host computer is connected, there may be settings required on the host computer as well.

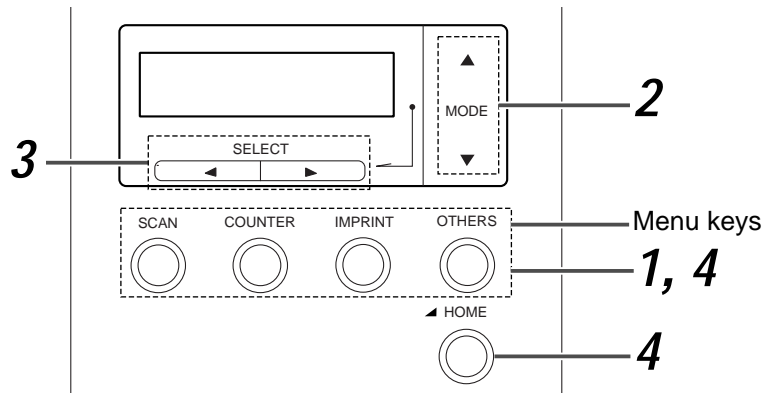
No.	Item	LCD display	Contents	Page
01	Setting the pre-imprinter data	Pre Imprint	Allows for the selection of the printing content using an imprinter. The imprinter will print on the printing (front) side of the document scanned.	25
02	Setting the pre-imprinter position	Pre Position	Allows for the selection of the printing position using a pre-imprinter.	
03	Setting the pre-imprinter font style	Pre Font	Allows for the selection of the printing font style using a pre-imprinter.	
04	Setting the pre-imprinter orientation	Pre Rotate	Allows for the selection of the printing orientation using a pre-imprinter.	26
11	Setting the post-imprinter data	Post Imprint	Allows for the selection of the printing content using an imprinter. The imprinter will print on the reverse side of the document scanned.	
12	Setting the post-imprinter position	Post Position	Allows for the selection of the printing position using a post-imprinter.	
13	Setting the post-imprinter font style	Post Font	Allows for the selection of the printing font style using a post-imprinter.	
14	Setting the post-imprinter orientation	Post Rotate	Allows for the selection of the printing orientation using a post-imprinter.	

Display Panel Instructions

Others menu

No.	Item	LCD display	Contents	Page
01	Checking the version	Version	Displays the firmware version of the mechanical control, pre-imprinter or post-imprinter. If an optional imprinter is not installed, the imprinter version will not be displayed.	27
02	Setting the buzzer	Buzzer	Selects whether the buzzer is turned on or off. If selection is in the "ON" position: When pressing a key, one short beep will be heard. When there is an error, 5 short beeps will be heard. When scanning is completed correctly, one long beep will be heard.	
03	Setting the SCSI ID	SCSI ID	Sets the SCSI ID number.	
04	Setting the terminator	Terminator	Sets "Enable" or "Disable". "Enable" : If last device on chain. "Disable" : If between devices.	
05	Setting the transfer rate	Transfer Rate	<ul style="list-style-type: none"> Changes the maximum value of the synchronous transfer rate of the SCSI interface. Lower the synchronous transfer rate to 10 Mbytes/sec. if the computer has failed to recognize the scanner or the scanner fails to operate properly. 	
06	Checking the roller cleaning warning	Clean Roller	The alarm tells you it is time to check the roller. If it is near 100%, clean the roller. See "Cleaning the Unit" on page 36 .	28
	Clearing the roller cleaning warning	Clean Roller	Clear the "Clean Roller Warning ○○%" display.	
07	Checking the roller modules replacement warning	Replace Roll.	The alarm tells you the roller needs to be changed. If it is near 100%, replace the paper feed roller module and retard roller module. See "Replacing Consumables" on page 41 .	
	Clearing the roller modules replacement warning	Replace Roll.	Clear the "Replace Roll. Warning ○○%" display.	
08	Setting the product ID	Product ID	Selects the product ID. The product ID setting depends on the host computer scanner application you are using. Allows scanner to emulate other Panasonic scanners.	
09	Setting the sleep mode	Sleep Mode	Sets the time until sleep mode turns ON.	

● Operation



1 Press one of the menu key until the desired menu is displayed.

- The **SCAN**, **COUNTER**, **IMPRINT** and **OTHERS** keys are used as a menu key.
- When pressing the **SCAN** key, the display will appear as shown at the right.

(ex. SCAN)

0	1	.	F	.	C	o	l	o	r		d	r	o	p			
														H	o	s	t

2 Use the ▲ key or the ▼ key to select the desired item.

- The display at the right is an example of a setting for the scanning setting mode.

0	9	.	B	.	C	o	n	t	r	a	s	t					
L	-	-	-	-	+	-	-	-	-	H				H	o	s	t

3 Use the ► key or the ◀ key to select the desired content.

- The display on the right is an example of a setting for the “B. Contrast”.

0	9	.	B	.	C	o	n	t	r	a	s	t					
L	-	-	*	-	+	-	-	-	-	H						L	2

4 Press the HOME key to return to the “Ready” display or another menu key to go to another menu.

When the HOME key is pressed :

R	e	a	d	y											

When the COUNTER key is pressed for another menu key :

0	1	.	D	i	s	p	.	C	o	u	n	t	e	r			
														S	c	a	n

- ※ In steps 2 or 3, you can change to the desired menu by pressing the desired menu key.
- ※ See [pages 20 to 28](#) for details.
- ※ For changing the display language, see [page 14](#).

Display Panel Instructions

● Actual settings

Scan setting menu (by pressing the SCAN key)

<p>Number, mode and default display</p> <ul style="list-style-type: none"> Pressing the ▲ key will change to the next mode. Pressing the ▼ key will change to the previous mode. 	<p>Contents</p> <ul style="list-style-type: none"> Pressing the ► key or the ◀ key will change to another value. 																																				
<p>01 Front side dropout color</p> <table border="1" style="width: 100%; text-align: center;"> <tr> <td>0</td><td>1</td><td>.</td><td>F</td><td>.</td><td>C</td><td>o</td><td>l</td><td>o</td><td>r</td><td>.</td><td>d</td><td>r</td><td>o</td><td>p</td><td></td><td></td> </tr> <tr> <td></td><td></td><td></td><td></td><td></td><td></td><td></td><td></td><td></td><td></td><td></td><td></td><td></td><td></td><td></td><td>H</td><td>o</td><td>s</td><td>t</td> </tr> </table>	0	1	.	F	.	C	o	l	o	r	.	d	r	o	p																		H	o	s	t	<p>Color selection</p> <p>→ Host ↔ Red ↔ Green ←</p>
0	1	.	F	.	C	o	l	o	r	.	d	r	o	p																							
															H	o	s	t																			
<p>02 Front side brightness</p> <table border="1" style="width: 100%; text-align: center;"> <tr> <td>0</td><td>2</td><td>.</td><td>F</td><td>.</td><td>B</td><td>r</td><td>i</td><td>g</td><td>h</td><td>t</td><td>n</td><td>e</td><td>s</td><td>s</td><td></td><td></td> </tr> <tr> <td>D</td><td>-</td><td>-</td><td>-</td><td>-</td><td>+</td><td>-</td><td>-</td><td>-</td><td>-</td><td>L</td><td></td><td></td><td></td><td></td><td>H</td><td>o</td><td>s</td><td>t</td> </tr> </table>	0	2	.	F	.	B	r	i	g	h	t	n	e	s	s			D	-	-	-	-	+	-	-	-	-	L					H	o	s	t	<p>D4 ↔ D3 ↔ D2 ↔ D1 ↔ Norm ↔ L1 ↔ L2 ↔ L3 ↔ L4</p> <p style="text-align: center;">↑ Host ←</p> <ul style="list-style-type: none"> When “Host” is displayed, pressing the ► key or the ◀ key will change the display to “Norm”. “D” means dark. “L” means light.
0	2	.	F	.	B	r	i	g	h	t	n	e	s	s																							
D	-	-	-	-	+	-	-	-	-	L					H	o	s	t																			
<p>03 Front side image emphasis</p> <table border="1" style="width: 100%; text-align: center;"> <tr> <td>0</td><td>3</td><td>.</td><td>F</td><td>.</td><td>E</td><td>m</td><td>p</td><td>h</td><td>a</td><td>s</td><td>i</td><td>s</td><td></td><td></td> </tr> <tr> <td></td><td></td><td>-</td><td>-</td><td>-</td><td>+</td><td>-</td><td></td><td></td><td></td><td></td><td></td><td></td><td></td><td>H</td><td>o</td><td>s</td><td>t</td> </tr> </table>	0	3	.	F	.	E	m	p	h	a	s	i	s					-	-	-	+	-								H	o	s	t	<p>Smooth ↔ None ↔ Low ↔ Medium ↔ High</p> <p style="text-align: center;">↑ Host ←</p> <ul style="list-style-type: none"> When “Host” is displayed, pressing the ► key or the ◀ key will change the display to “Medium”. 			
0	3	.	F	.	E	m	p	h	a	s	i	s																									
		-	-	-	+	-								H	o	s	t																				
<p>04 Front side contrast</p> <table border="1" style="width: 100%; text-align: center;"> <tr> <td>0</td><td>4</td><td>.</td><td>F</td><td>.</td><td>C</td><td>o</td><td>n</td><td>t</td><td>r</td><td>a</td><td>s</td><td>t</td><td></td><td></td> </tr> <tr> <td>L</td><td>-</td><td>-</td><td>-</td><td>-</td><td>+</td><td>-</td><td>-</td><td>-</td><td>-</td><td>H</td><td></td><td></td><td></td><td>H</td><td>o</td><td>s</td><td>t</td> </tr> </table>	0	4	.	F	.	C	o	n	t	r	a	s	t			L	-	-	-	-	+	-	-	-	-	H				H	o	s	t	<p>L4 ↔ L3 ↔ L2 ↔ L1 ↔ Norm ↔ H1 ↔ H2 ↔ H3 ↔ H4</p> <p style="text-align: center;">↑ Host ←</p> <ul style="list-style-type: none"> When “Host” is displayed, pressing the ► key or the ◀ key will change the display to “Norm”. “H” means high. “L” means low. 			
0	4	.	F	.	C	o	n	t	r	a	s	t																									
L	-	-	-	-	+	-	-	-	-	H				H	o	s	t																				
<p>05 Front side halftone</p> <table border="1" style="width: 100%; text-align: center;"> <tr> <td>0</td><td>5</td><td>.</td><td>F</td><td>.</td><td>H</td><td>a</td><td>l</td><td>f</td><td>t</td><td>o</td><td>n</td><td>e</td><td></td><td></td> </tr> <tr> <td></td><td></td><td></td><td></td><td></td><td></td><td></td><td></td><td></td><td></td><td></td><td></td><td></td><td></td><td>H</td><td>o</td><td>s</td><td>t</td> </tr> </table>	0	5	.	F	.	H	a	l	f	t	o	n	e																	H	o	s	t	<p>→ Host ↔ Binary ↔ Bayer dither 64 ↔ Bayer dither 16 ←</p> <p>↳ Halftone dot 32 ↔ Halftone dot 64 ↔ Error diffusion ←</p> <p>↳ (Dynamic Th.)^{※1} ←</p> <p>※¹The dynamic threshold is not displayed if the DIMM expansion memory module has not been installed. If the dynamic threshold is to be used, install a DIMM memory module which is available on the market. For details on how to install it refer to the installation manual.</p>			
0	5	.	F	.	H	a	l	f	t	o	n	e																									
														H	o	s	t																				

• For changing the display language, see [page 14](#).

<p>06 Back side dropout color</p> <table border="1" style="width: 100%; border-collapse: collapse;"> <tr> <td>0</td><td>6</td><td>.</td><td>B</td><td>.</td><td>C</td><td>o</td><td>l</td><td>o</td><td>r</td><td>d</td><td>r</td><td>o</td><td>p</td><td></td><td></td> </tr> <tr> <td></td><td></td><td></td><td></td><td></td><td></td><td></td><td></td><td></td><td></td><td></td><td></td><td></td><td></td><td>H</td><td>o</td><td>s</td><td>t</td> </tr> </table>	0	6	.	B	.	C	o	l	o	r	d	r	o	p																	H	o	s	t	<p>Color selection</p> <p>→ Host ↔ Red ↔ Green ←</p>		
0	6	.	B	.	C	o	l	o	r	d	r	o	p																								
														H	o	s	t																				
<p>07 Back side brightness</p> <table border="1" style="width: 100%; border-collapse: collapse;"> <tr> <td>0</td><td>7</td><td>.</td><td>B</td><td>.</td><td>B</td><td>r</td><td>i</td><td>g</td><td>h</td><td>t</td><td>n</td><td>e</td><td>s</td><td>s</td><td></td><td></td> </tr> <tr> <td>D</td><td>-</td><td>-</td><td>-</td><td>-</td><td>+</td><td>-</td><td>-</td><td>-</td><td>-</td><td>-</td><td>L</td><td></td><td></td><td></td><td>H</td><td>o</td><td>s</td><td>t</td> </tr> </table>	0	7	.	B	.	B	r	i	g	h	t	n	e	s	s			D	-	-	-	-	+	-	-	-	-	-	L				H	o	s	t	<p>D4 ↔ D3 ↔ D2 ↔ D1 ↔ Norm ↔ L1 ↔ L2 ↔ L3 ↔ L4</p> <p style="text-align: center;">↑ Host</p> <ul style="list-style-type: none"> • When “Host” is displayed, pressing the ► key or the ◀ key will change the display to “Norm”. • “D” means dark. “L” means light.
0	7	.	B	.	B	r	i	g	h	t	n	e	s	s																							
D	-	-	-	-	+	-	-	-	-	-	L				H	o	s	t																			
<p>08 Back side image emphasis</p> <table border="1" style="width: 100%; border-collapse: collapse;"> <tr> <td>0</td><td>8</td><td>.</td><td>B</td><td>.</td><td>E</td><td>m</td><td>p</td><td>h</td><td>a</td><td>s</td><td>i</td><td>s</td><td></td><td></td> </tr> <tr> <td></td><td></td><td>-</td><td>-</td><td>-</td><td>+</td><td>-</td><td></td><td></td><td></td><td></td><td></td><td></td><td></td><td>H</td><td>o</td><td>s</td><td>t</td> </tr> </table>	0	8	.	B	.	E	m	p	h	a	s	i	s					-	-	-	+	-								H	o	s	t	<p>Smooth ↔ None ↔ Low ↔ Medium ↔ High</p> <p style="text-align: center;">↑ Host</p> <ul style="list-style-type: none"> • When “Host” is displayed, pressing the ► key or the ◀ key will change the display to “Medium”. 			
0	8	.	B	.	E	m	p	h	a	s	i	s																									
		-	-	-	+	-								H	o	s	t																				
<p>09 Back side contrast</p> <table border="1" style="width: 100%; border-collapse: collapse;"> <tr> <td>0</td><td>9</td><td>.</td><td>B</td><td>.</td><td>C</td><td>o</td><td>n</td><td>t</td><td>r</td><td>a</td><td>s</td><td>t</td><td></td><td></td> </tr> <tr> <td>L</td><td>-</td><td>-</td><td>-</td><td>-</td><td>+</td><td>-</td><td>-</td><td>-</td><td>-</td><td>H</td><td></td><td></td><td></td><td>H</td><td>o</td><td>s</td><td>t</td> </tr> </table>	0	9	.	B	.	C	o	n	t	r	a	s	t			L	-	-	-	-	+	-	-	-	-	H				H	o	s	t	<p>L4 ↔ L3 ↔ L2 ↔ L1 ↔ Norm ↔ H1 ↔ H2 ↔ H3 ↔ H4</p> <p style="text-align: center;">↑ Host</p> <ul style="list-style-type: none"> • When “Host” is displayed, pressing the ► key or the ◀ key will change the display to “Norm”. • “H” means high. “L” means low. 			
0	9	.	B	.	C	o	n	t	r	a	s	t																									
L	-	-	-	-	+	-	-	-	-	H				H	o	s	t																				
<p>10 Back side halftone</p> <table border="1" style="width: 100%; border-collapse: collapse;"> <tr> <td>1</td><td>0</td><td>.</td><td>B</td><td>.</td><td>H</td><td>a</td><td>l</td><td>f</td><td>t</td><td>o</td><td>n</td><td>e</td><td></td><td></td> </tr> <tr> <td></td><td></td><td></td><td></td><td></td><td></td><td></td><td></td><td></td><td></td><td></td><td></td><td></td><td></td><td>H</td><td>o</td><td>s</td><td>t</td> </tr> </table>	1	0	.	B	.	H	a	l	f	t	o	n	e																	H	o	s	t	<p>→ Host ↔ Binary ↔ Bayer dither 64 ↔ Bayer dither 16 ←</p> <p>↳ Halftone dot 32 ↔ Halftone dot 64 ↔ Error diffusion ←</p> <p>↳ (Dynamic Th.)^{※1} ←</p> <p>※¹The dynamic threshold is not displayed if the DIMM expansion memory module has not been installed. If the dynamic threshold is to be used, install a DIMM memory module which is available on the market. For details on how to install it refer to the installation manual.</p>			
1	0	.	B	.	H	a	l	f	t	o	n	e																									
														H	o	s	t																				
<p>11 Noise reduction</p> <table border="1" style="width: 100%; border-collapse: collapse;"> <tr> <td>1</td><td>1</td><td>.</td><td>N</td><td>o</td><td>i</td><td>s</td><td>e</td><td>R</td><td>e</td><td>d</td><td>u</td><td>c</td><td>t</td><td>.</td><td></td><td></td> </tr> <tr> <td></td><td></td><td>+</td><td>-</td><td>-</td><td>-</td><td>-</td><td>-</td><td></td><td></td><td></td><td></td><td></td><td></td><td>H</td><td>o</td><td>s</td><td>t</td> </tr> </table>	1	1	.	N	o	i	s	e	R	e	d	u	c	t	.					+	-	-	-	-	-							H	o	s	t	<p>→ Host ↔ None ↔ B1X1 ↔ B2X2 ↔ B3X3 ←</p> <p>↳ B4X4 ↔ B5X5 ↔ B6X6 ↔ W1X1 ↔ W2X2 ←</p> <p>↳ W3X3 ↔ W4X4 ↔ W5X5 ↔ W6X6 ←</p> <p>B1 × 1~B6 × 6 : Scanner reduces a black dot. W1 × 1~W6 × 6 : Scanner reduces a white dot.</p>	
1	1	.	N	o	i	s	e	R	e	d	u	c	t	.																							
		+	-	-	-	-	-							H	o	s	t																				

Display Panel Instructions

<p>12 Black line removal</p> <table border="1" data-bbox="177 293 665 357"> <tr> <td>1</td><td>2</td><td>.</td><td>B</td><td>L</td><td>K</td><td>L</td><td>i</td><td>n</td><td>e</td><td></td><td></td><td></td><td></td> </tr> <tr> <td></td><td></td><td></td><td>R</td><td>e</td><td>m</td><td>o</td><td>v</td><td>e</td><td></td><td></td><td></td><td>H</td><td>o</td><td>s</td><td>t</td> </tr> </table>	1	2	.	B	L	K	L	i	n	e								R	e	m	o	v	e				H	o	s	t	<p>→ Host ↔ Disable ↔ Enable ←</p> <ul style="list-style-type: none"> This setting is valid only when the white roller kit is installed.
1	2	.	B	L	K	L	i	n	e																						
			R	e	m	o	v	e				H	o	s	t																
<p>13 Scanning mode</p> <table border="1" data-bbox="177 449 665 512"> <tr> <td>1</td><td>3</td><td>.</td><td>S</td><td>c</td><td>a</td><td>n</td><td>n</td><td>i</td><td>n</td><td>g</td><td>M</td><td>o</td><td>d</td><td>e</td> </tr> <tr> <td></td><td></td><td></td><td></td><td></td><td></td><td></td><td></td><td></td><td></td><td></td><td>H</td><td>o</td><td>s</td><td>t</td> </tr> </table>	1	3	.	S	c	a	n	n	i	n	g	M	o	d	e												H	o	s	t	<p>→ Host ↔ Fit to Page ↔ Actual ←</p> <p>Fit to Page : Scanner shrinks image to fit scanned page. Actual : Scanner scans at 100% actual page size. Some of the data on the edges of the page may be lost.</p>
1	3	.	S	c	a	n	n	i	n	g	M	o	d	e																	
											H	o	s	t																	
<p>14 Double feed detection</p> <table border="1" data-bbox="177 704 665 768"> <tr> <td>1</td><td>4</td><td>.</td><td>D</td><td>o</td><td>u</td><td>b</td><td>l</td><td>e</td><td>F</td><td>e</td><td>e</td><td>d</td><td></td><td></td> </tr> <tr> <td></td><td></td><td></td><td></td><td></td><td></td><td></td><td></td><td></td><td></td><td></td><td>H</td><td>o</td><td>s</td><td>t</td> </tr> </table>	1	4	.	D	o	u	b	l	e	F	e	e	d														H	o	s	t	<p>→ Host ↔ Not detect ↔ Detect ←</p> <p>If set to “Detect”, the scanner will sound a buzzer and the power indicator will flash red when double feeding is detected. Even if this buzzer is set to “OFF” in “Setting the buzzer” (see page 27), it will still ring.</p> <ul style="list-style-type: none"> When scanning very important documents, confirm if the number of scanned pages displayed on the LCD matches the number of actual pages.
1	4	.	D	o	u	b	l	e	F	e	e	d																			
											H	o	s	t																	
<p>15 Setting the “Double Feed” detector action</p> <table border="1" data-bbox="177 1087 665 1151"> <tr> <td>1</td><td>5</td><td>.</td><td>D</td><td>o</td><td>u</td><td>b</td><td>l</td><td>e</td><td>F</td><td>e</td><td>e</td><td>d</td><td></td><td></td> </tr> <tr> <td></td><td></td><td></td><td>A</td><td>c</td><td>t</td><td>i</td><td>o</td><td>n</td><td></td><td></td><td>H</td><td>o</td><td>s</td><td>t</td> </tr> </table>	1	5	.	D	o	u	b	l	e	F	e	e	d						A	c	t	i	o	n			H	o	s	t	<p>→ Host ↔ Stop ↔ Buzzer ←</p> <p>Host : The scanner will act in response to commands from the host computer. Stop : The scanner will display double feeding error and stop when it detects double feeding. Buzzer : When the scanner detects double feeding, it will sound a buzzer, the power indicator will light red and it will continue scanning. After completing scanning, the scanner will display double feeding warning.</p>
1	5	.	D	o	u	b	l	e	F	e	e	d																			
			A	c	t	i	o	n			H	o	s	t																	
<p>16 Setting the double feed detector sensitivity</p> <table border="1" data-bbox="177 1513 665 1576"> <tr> <td>1</td><td>6</td><td>.</td><td>D</td><td>o</td><td>u</td><td>b</td><td>l</td><td>e</td><td>F</td><td>e</td><td>e</td><td>d</td><td></td><td></td> </tr> <tr> <td></td><td></td><td></td><td></td><td></td><td></td><td>S</td><td>e</td><td>n</td><td>s</td><td>.</td><td>H</td><td>o</td><td>s</td><td>t</td> </tr> </table>	1	6	.	D	o	u	b	l	e	F	e	e	d									S	e	n	s	.	H	o	s	t	<p>→ Sens. Host ↔ Low sensitivity ←</p> <p>→ Normal Sens. ↔ High sensitivity ←</p> <p>Low sensitivity: The double feed detector’s sensitivity will be low. Set this when there is an error for no double feeding. High sensitivity: The double feed detector’s sensitivity will be high. Set this when there is no error for double feeding.</p>
1	6	.	D	o	u	b	l	e	F	e	e	d																			
						S	e	n	s	.	H	o	s	t																	

- When scanning a document which is shorter than 210 mm / 8.3" (A5 size) in length, double feed detection will not work well.
- Thick, creased, or edited documents with correction fluid as well as documents with holes near the center may give you false double feed warning.

<p>17 Feed speed</p> <table border="1" style="width: 100%; text-align: center; border-collapse: collapse;"> <tr> <td>1</td><td>7</td><td>.</td><td>F</td><td>e</td><td>e</td><td>d</td><td>S</td><td>p</td><td>e</td><td>e</td><td>d</td><td></td><td></td><td></td> </tr> <tr> <td></td><td></td><td></td><td></td><td></td><td></td><td></td><td></td><td></td><td></td><td></td><td>H</td><td>o</td><td>s</td><td>t</td> </tr> </table>	1	7	.	F	e	e	d	S	p	e	e	d															H	o	s	t	<p style="text-align: center;">→ Host ↔ Slow ↔ Normal ↔ Fast ←</p> <p>Fast : The scanner scans approximately 1.3 times faster than when “Normal” is set, at a resolution ranging from 200dpi to 400dpi. For example, when the resolution is 200dpi, the scanner scans at 200dpi × 150dpi, but outputs the image at 200dpi × 200dpi. However, the image quality produced by “Fast” is inferior to the image quality produced by “Normal”.</p> <p>Slow : The scanner scans at half of the “Normal” speed.</p>
1	7	.	F	e	e	d	S	p	e	e	d																				
											H	o	s	t																	
<p>18 Save scanning settings (Select memory)</p> <table border="1" style="width: 100%; text-align: center; border-collapse: collapse;"> <tr> <td>1</td><td>8</td><td>.</td><td>S</td><td>a</td><td>v</td><td>e</td><td>S</td><td>e</td><td>t</td><td>t</td><td>i</td><td>n</td><td>g</td><td></td> </tr> <tr> <td></td><td></td><td></td><td></td><td></td><td></td><td></td><td>M</td><td>e</td><td>m</td><td>o</td><td>r</td><td>y</td><td>1</td><td></td> </tr> </table>	1	8	.	S	a	v	e	S	e	t	t	i	n	g									M	e	m	o	r	y	1		<p style="text-align: center;">Memory 1 ↔ Memory 2 ←</p>
1	8	.	S	a	v	e	S	e	t	t	i	n	g																		
							M	e	m	o	r	y	1																		
<p>18 Save scanning settings (Execution)</p> <table border="1" style="width: 100%; text-align: center; border-collapse: collapse;"> <tr> <td>1</td><td>8</td><td>.</td><td>S</td><td>a</td><td>v</td><td>e</td><td>S</td><td>e</td><td>t</td><td>t</td><td>i</td><td>n</td><td>g</td><td></td> </tr> <tr> <td></td><td></td><td></td><td></td><td></td><td></td><td></td><td>E</td><td>x</td><td>e</td><td>c</td><td>=</td><td><</td><td>></td><td></td> </tr> </table>	1	8	.	S	a	v	e	S	e	t	t	i	n	g									E	x	e	c	=	<	>		<p>When pressing the ► key and the ◀ key simultaneously, the scanning conditions set in 01 to 17 above will be saved in the memory selected in the “Save scanning settings (Select memory)”.</p> <p>“Completed” will be displayed after saving.</p>
1	8	.	S	a	v	e	S	e	t	t	i	n	g																		
							E	x	e	c	=	<	>																		
<p>19 Load scanning setting</p> <table border="1" style="width: 100%; text-align: center; border-collapse: collapse;"> <tr> <td>1</td><td>9</td><td>.</td><td>L</td><td>o</td><td>a</td><td>d</td><td>S</td><td>e</td><td>t</td><td>t</td><td>i</td><td>n</td><td>g</td><td></td> </tr> <tr> <td></td><td></td><td></td><td></td><td></td><td></td><td></td><td>D</td><td>e</td><td>f</td><td>a</td><td>u</td><td>l</td><td>t</td><td></td> </tr> </table>	1	9	.	L	o	a	d	S	e	t	t	i	n	g									D	e	f	a	u	l	t		<p style="text-align: center;">→ Default ↔ Memory 1 ↔ Memory 2 ←</p> <ul style="list-style-type: none"> • If you use the ► key or the ◀ key to select Memory 1 or Memory 2, the saved scanning items will become valid by the “Save scanning settings (Execution)”. If other scanning items have been saved in another memory, during scanning you can change the scanning items easily. This setting will not be changed even if the power is turned off and on, and will remain valid. • If “Default” is selected, all of the saved scanning settings will return to the default values. (See “01” to “17” of the left side display.)
1	9	.	L	o	a	d	S	e	t	t	i	n	g																		
							D	e	f	a	u	l	t																		

- Scanning settings 01-17 must be saved using setting “18 Save scanning settings (Execution)”. Even if they are not saved, they will be applied. If the power is turned off, the next time the unit is used they will not be applied.

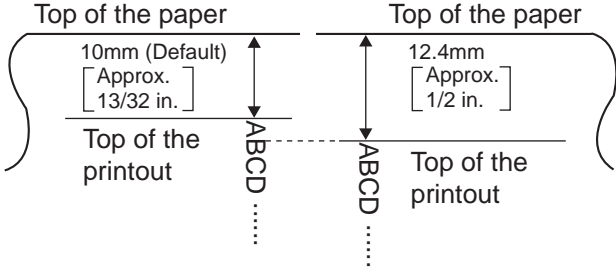
Display Panel Instructions

Counter setting menu (by pressing the COUNTER key)

<p>Number, mode and default display</p> <ul style="list-style-type: none"> Pressing the ▲ key will change to the next mode. Pressing the ▼ key will change to the previous mode. 	<p>Contents</p> <ul style="list-style-type: none"> Pressing the ► key or the ◀ key will change to another value. 																																																																																																																																																
<p>01 Select the counter displayed on the LCD</p> <table border="1" style="width: 100%; text-align: center;"> <tr> <td>0</td><td>1</td><td>.</td><td>D</td><td>i</td><td>s</td><td>p</td><td>.</td><td>C</td><td>o</td><td>u</td><td>n</td><td>t</td><td>e</td><td>r</td><td></td> </tr> <tr> <td></td><td></td><td></td><td></td><td></td><td></td><td></td><td></td><td></td><td></td><td></td><td></td><td></td><td></td><td></td><td>S</td> </tr> <tr> <td></td><td></td><td></td><td></td><td></td><td></td><td></td><td></td><td></td><td></td><td></td><td></td><td></td><td></td><td></td><td>c</td> </tr> <tr> <td></td><td></td><td></td><td></td><td></td><td></td><td></td><td></td><td></td><td></td><td></td><td></td><td></td><td></td><td></td><td>a</td> </tr> <tr> <td></td><td></td><td></td><td></td><td></td><td></td><td></td><td></td><td></td><td></td><td></td><td></td><td></td><td></td><td></td><td>n</td> </tr> </table>	0	1	.	D	i	s	p	.	C	o	u	n	t	e	r																	S																c																a																n	<p style="text-align: center;">→ Scan ↔ User ←</p> <p>Scan : After scanning one time, the scanner counter will be cleared. User : This counter is set to the default value. The user counter extender is also set by the user. They will be cleared when the power is turned OFF.</p>																																																																
0	1	.	D	i	s	p	.	C	o	u	n	t	e	r																																																																																																																																			
															S																																																																																																																																		
															c																																																																																																																																		
															a																																																																																																																																		
															n																																																																																																																																		
<p>02 Setting the user counter</p> <table border="1" style="width: 100%; text-align: center;"> <tr> <td>0</td><td>2</td><td>.</td><td>U</td><td>s</td><td>e</td><td>r</td><td></td><td>C</td><td>o</td><td>u</td><td>n</td><td>t</td><td>e</td><td>r</td><td></td> </tr> <tr> <td></td><td></td><td></td><td></td><td></td><td></td><td></td><td></td><td></td><td></td><td></td><td></td><td></td><td></td><td></td><td>0</td> </tr> </table>	0	2	.	U	s	e	r		C	o	u	n	t	e	r																	0	<p>Pressing the ► key once will increase the user counter by one. Pressing the ◀ key once will decrease the user counter by one. Pressing the ► key or the ◀ key continuously will change the user counter value by increments of 10.</p>																																																																																																																
0	2	.	U	s	e	r		C	o	u	n	t	e	r																																																																																																																																			
															0																																																																																																																																		
<p>02 Setting the user counter extender</p> <table border="1" style="width: 100%; text-align: center;"> <tr> <td>0</td><td>2</td><td>.</td><td>U</td><td>s</td><td>e</td><td>r</td><td></td><td>C</td><td>o</td><td>u</td><td>n</td><td>t</td><td>e</td><td>r</td><td></td> </tr> <tr> <td></td><td></td><td></td><td></td><td></td><td></td><td></td><td></td><td></td><td></td><td></td><td></td><td></td><td></td><td></td><td>+ 1</td> </tr> </table>	0	2	.	U	s	e	r		C	o	u	n	t	e	r																	+ 1	<p style="text-align: center;">→ +1 ↔ +2 ↔ +3 ↔ +7 ↔ +8 ↔ +9 ←</p> <p>Pressing the ► key once will increase the user counter extender by one. Pressing the ◀ key once will decrease the user counter extender by one.</p>																																																																																																																
0	2	.	U	s	e	r		C	o	u	n	t	e	r																																																																																																																																			
															+ 1																																																																																																																																		
<p>02 Clear the user counter</p> <table border="1" style="width: 100%; text-align: center;"> <tr> <td>0</td><td>2</td><td>.</td><td>U</td><td>s</td><td>e</td><td>r</td><td></td><td>C</td><td>o</td><td>u</td><td>n</td><td>t</td><td>e</td><td>r</td><td></td> </tr> <tr> <td></td><td></td><td></td><td></td><td></td><td></td><td></td><td></td><td></td><td></td><td></td><td></td><td></td><td></td><td></td><td>C</td> </tr> <tr> <td></td><td></td><td></td><td></td><td></td><td></td><td></td><td></td><td></td><td></td><td></td><td></td><td></td><td></td><td></td><td>l</td> </tr> <tr> <td></td><td></td><td></td><td></td><td></td><td></td><td></td><td></td><td></td><td></td><td></td><td></td><td></td><td></td><td></td><td>e</td> </tr> <tr> <td></td><td></td><td></td><td></td><td></td><td></td><td></td><td></td><td></td><td></td><td></td><td></td><td></td><td></td><td></td><td>a</td> </tr> <tr> <td></td><td></td><td></td><td></td><td></td><td></td><td></td><td></td><td></td><td></td><td></td><td></td><td></td><td></td><td></td><td>r</td> </tr> <tr> <td></td><td></td><td></td><td></td><td></td><td></td><td></td><td></td><td></td><td></td><td></td><td></td><td></td><td></td><td></td><td>=</td> </tr> <tr> <td></td><td></td><td></td><td></td><td></td><td></td><td></td><td></td><td></td><td></td><td></td><td></td><td></td><td></td><td></td><td><</td> </tr> <tr> <td></td><td></td><td></td><td></td><td></td><td></td><td></td><td></td><td></td><td></td><td></td><td></td><td></td><td></td><td></td><td>></td> </tr> </table>	0	2	.	U	s	e	r		C	o	u	n	t	e	r																	C																l																e																a																r																=																<																>	<p>When pressing the ► key and the ◀ key simultaneously, the user counter will be cleared. Then "Completed" will be displayed.</p>
0	2	.	U	s	e	r		C	o	u	n	t	e	r																																																																																																																																			
															C																																																																																																																																		
															l																																																																																																																																		
															e																																																																																																																																		
															a																																																																																																																																		
															r																																																																																																																																		
															=																																																																																																																																		
															<																																																																																																																																		
															>																																																																																																																																		
<p>03 Displaying the system counter</p> <table border="1" style="width: 100%; text-align: center;"> <tr> <td>0</td><td>3</td><td>.</td><td>S</td><td>y</td><td>s</td><td>t</td><td>e</td><td>m</td><td></td><td>C</td><td>o</td><td>u</td><td>n</td><td>t</td><td>.</td> </tr> <tr> <td></td><td></td><td></td><td></td><td></td><td></td><td></td><td></td><td></td><td></td><td>1</td><td>2</td><td>3</td><td>4</td><td>5</td><td>6</td> </tr> <tr> <td></td><td></td><td></td><td></td><td></td><td></td><td></td><td></td><td></td><td></td><td></td><td></td><td></td><td></td><td></td><td>7</td> </tr> </table> <p style="text-align: right;">(ex.)</p>	0	3	.	S	y	s	t	e	m		C	o	u	n	t	.											1	2	3	4	5	6																7	<p>Displays the total amount of scanned documents up to now.</p>																																																																																																
0	3	.	S	y	s	t	e	m		C	o	u	n	t	.																																																																																																																																		
										1	2	3	4	5	6																																																																																																																																		
															7																																																																																																																																		

Imprinter setting menu (by pressing the IMPRINT key)

Both a pre-imprinter and post-imprinter can be installed at the same time. However, the operator may only use one imprinter at a time. If both of the imprinters are installed, you can set the following conditions.

<p>Number, item and default display</p> <ul style="list-style-type: none"> Pressing the ▲ key will change to the next mode. Pressing the ▼ key will change to the previous mode. 	<p>Contents</p> <ul style="list-style-type: none"> Pressing the ► key or the ◀ key will change to another value. 																																																																		
<p>01 Setting the pre-imprinter data</p> <table border="1" data-bbox="177 627 667 691"> <tr> <td>0</td><td>1</td><td>.</td><td>P</td><td>r</td><td>e</td><td>I</td><td>m</td><td>p</td><td>r</td><td>i</td><td>n</td><td>t</td><td></td><td></td> </tr> <tr> <td></td><td></td><td></td><td></td><td></td><td></td><td></td><td></td><td></td><td></td><td></td><td></td><td>H</td><td>o</td><td>s</td><td>t</td> </tr> </table> <ul style="list-style-type: none"> This setting can be done only when a pre-imprinter is installed. 	0	1	.	P	r	e	I	m	p	r	i	n	t															H	o	s	t	<p>→ Host ↔ Count ←</p> <p>Host : Printing will be done according to the host computer. Count : Printing will be done according to the counter in the "Select counter displayed on the LCD".</p>																																			
0	1	.	P	r	e	I	m	p	r	i	n	t																																																							
												H	o	s	t																																																				
<p>02 Setting the pre-imprinter position</p> <table border="1" data-bbox="177 889 667 953"> <tr> <td>0</td><td>2</td><td>.</td><td>P</td><td>r</td><td>e</td><td>P</td><td>o</td><td>s</td><td>i</td><td>t</td><td>i</td><td>o</td><td>n</td><td></td><td></td> </tr> <tr> <td></td><td></td><td></td><td></td><td></td><td></td><td></td><td></td><td></td><td></td><td></td><td></td><td>H</td><td>o</td><td>s</td><td>t</td> </tr> </table> <ul style="list-style-type: none"> This setting can be done only when a pre-imprinter is installed. 	0	2	.	P	r	e	P	o	s	i	t	i	o	n															H	o	s	t	<p>By pressing the ► key or the ◀ key, you can specify the line where printing starts from the top of the document. If "0" character is set, printing starts from 10.0 mm. The millimeter value displayed is an approximation.</p> <table border="1" data-bbox="730 959 1337 1038"> <tr> <td>0</td><td>2</td><td>.</td><td>P</td><td>r</td><td>e</td><td>P</td><td>o</td><td>s</td><td>i</td><td>t</td><td>i</td><td>o</td><td>n</td><td></td><td></td> </tr> <tr> <td><</td><td></td><td></td><td>1</td><td>C</td><td>h</td><td>a</td><td>r</td><td></td><td>></td><td></td><td></td><td>1</td><td>2</td><td>.</td><td>4</td><td>m</td><td>m</td> </tr> </table> <p>The length per character varies, depending on the 04 orientation setting. 90° or 270°: 2.40mm per character 0° or 180°: 3.46mm per character Character: 0 - 72</p> <ul style="list-style-type: none"> In this example, printing starts at 12.4 mm (approx. 1/2 in.) from the top of the paper. The number 12.4 can be changed from 10.0 to 182.8 by pressing the ► key or the ◀ key. 	0	2	.	P	r	e	P	o	s	i	t	i	o	n			<			1	C	h	a	r		>			1	2	.	4	m	m
0	2	.	P	r	e	P	o	s	i	t	i	o	n																																																						
												H	o	s	t																																																				
0	2	.	P	r	e	P	o	s	i	t	i	o	n																																																						
<			1	C	h	a	r		>			1	2	.	4	m	m																																																		
<p>03 Setting the pre-imprinter font style</p> <table border="1" data-bbox="177 1698 667 1761"> <tr> <td>0</td><td>3</td><td>.</td><td>P</td><td>r</td><td>e</td><td>F</td><td>o</td><td>n</td><td>t</td><td></td><td></td><td></td><td></td><td></td> </tr> <tr> <td></td><td></td><td></td><td></td><td></td><td></td><td></td><td></td><td></td><td></td><td></td><td></td><td>H</td><td>o</td><td>s</td><td>t</td> </tr> </table> <ul style="list-style-type: none"> This setting can be done only when a pre-imprinter is installed. 	0	3	.	P	r	e	F	o	n	t																		H	o	s	t	<p>→ Host ↔ Bold ↔ Normal ←</p> <p>Bold : 2-dot font Normal: 1-dot font that can increase the ink lifetime longer than Bold fonts.</p>																																			
0	3	.	P	r	e	F	o	n	t																																																										
												H	o	s	t																																																				

Display Panel Instructions

<p>04 Setting the pre-imprinter orientation</p> <table border="1" data-bbox="199 293 687 357"> <tr><td>0</td><td>4</td><td>.</td><td>P</td><td>r</td><td>e</td><td>R</td><td>o</td><td>t</td><td>a</td><td>t</td><td>e</td><td></td><td></td></tr> <tr><td></td><td></td><td></td><td></td><td></td><td></td><td></td><td></td><td></td><td></td><td></td><td>H</td><td>o</td><td>s</td><td>t</td></tr> </table> <ul style="list-style-type: none"> This setting can be done only when a pre-imprinter is installed. 	0	4	.	P	r	e	R	o	t	a	t	e														H	o	s	t	<p>→ Host ↔ 0° ↔ 90° ↔ 180° ↔ 270° ←</p> <p style="text-align: right;">↑ :Transfer direction</p> <table border="1" data-bbox="738 378 1402 591"> <tr> <td>0°</td> <td>Prints portrait orientation.</td> <td>A ↑ B ↑</td> </tr> <tr> <td>90°</td> <td>Rotates character string 90 degrees and prints.</td> <td>AB ↑</td> </tr> <tr> <td>180°</td> <td>Prints portrait orientation from the end of the character string.</td> <td>B ↑ A ↑</td> </tr> <tr> <td>270°</td> <td>Rotates character string 270 degrees and prints.</td> <td>AB ↑</td> </tr> </table>	0°	Prints portrait orientation.	A ↑ B ↑	90°	Rotates character string 90 degrees and prints.	AB ↑	180°	Prints portrait orientation from the end of the character string.	B ↑ A ↑	270°	Rotates character string 270 degrees and prints.	AB ↑
0	4	.	P	r	e	R	o	t	a	t	e																															
											H	o	s	t																												
0°	Prints portrait orientation.	A ↑ B ↑																																								
90°	Rotates character string 90 degrees and prints.	AB ↑																																								
180°	Prints portrait orientation from the end of the character string.	B ↑ A ↑																																								
270°	Rotates character string 270 degrees and prints.	AB ↑																																								
<p>11 Setting the post-imprinter data</p> <table border="1" data-bbox="199 676 687 740"> <tr><td>1</td><td>1</td><td>.</td><td>P</td><td>o</td><td>s</td><td>t</td><td>I</td><td>m</td><td>p</td><td>r</td><td>i</td><td>n</td><td>t</td><td></td></tr> <tr><td></td><td></td><td></td><td></td><td></td><td></td><td></td><td></td><td></td><td></td><td></td><td>H</td><td>o</td><td>s</td><td>t</td></tr> </table> <ul style="list-style-type: none"> This setting can be done only when a post-imprinter is installed. 	1	1	.	P	o	s	t	I	m	p	r	i	n	t													H	o	s	t	<p>This is the same as the pre-imprinter. See "01 Setting the pre-imprinter data".</p> <ul style="list-style-type: none"> You cannot set the pre-imprinter and post-imprinter to "Count" at the same time. 											
1	1	.	P	o	s	t	I	m	p	r	i	n	t																													
											H	o	s	t																												
<p>12 Setting the post-imprinter position</p> <table border="1" data-bbox="199 910 687 974"> <tr><td>1</td><td>2</td><td>.</td><td>P</td><td>o</td><td>s</td><td>t</td><td>P</td><td>o</td><td>s</td><td>i</td><td>t</td><td>i</td><td>o</td><td>n</td><td></td></tr> <tr><td></td><td></td><td></td><td></td><td></td><td></td><td></td><td></td><td></td><td></td><td></td><td>H</td><td>o</td><td>s</td><td>t</td></tr> </table> <ul style="list-style-type: none"> This setting can be done only when a post-imprinter is installed. 	1	2	.	P	o	s	t	P	o	s	i	t	i	o	n													H	o	s	t	<p>This is the same as the pre-imprinter. See "02 Setting the pre-imprinter position".</p>										
1	2	.	P	o	s	t	P	o	s	i	t	i	o	n																												
											H	o	s	t																												
<p>13 Setting the post-imprinter font style</p> <table border="1" data-bbox="199 1144 687 1208"> <tr><td>1</td><td>3</td><td>.</td><td>P</td><td>o</td><td>s</td><td>t</td><td>F</td><td>o</td><td>n</td><td>t</td><td></td><td></td><td></td><td></td></tr> <tr><td></td><td></td><td></td><td></td><td></td><td></td><td></td><td></td><td></td><td></td><td></td><td>H</td><td>o</td><td>s</td><td>t</td></tr> </table> <ul style="list-style-type: none"> This setting can be done only when a post-imprinter is installed. 	1	3	.	P	o	s	t	F	o	n	t																H	o	s	t	<p>This is the same as the pre-imprinter. See "03 Setting the pre-imprinter font style".</p>											
1	3	.	P	o	s	t	F	o	n	t																																
											H	o	s	t																												
<p>14 Setting the post-imprinter orientation</p> <table border="1" data-bbox="199 1378 687 1442"> <tr><td>1</td><td>4</td><td>.</td><td>P</td><td>o</td><td>s</td><td>t</td><td>R</td><td>o</td><td>t</td><td>a</td><td>t</td><td>e</td><td></td><td></td></tr> <tr><td></td><td></td><td></td><td></td><td></td><td></td><td></td><td></td><td></td><td></td><td></td><td>H</td><td>o</td><td>s</td><td>t</td></tr> </table> <ul style="list-style-type: none"> This setting can be done only when a post-imprinter is installed. 	1	4	.	P	o	s	t	R	o	t	a	t	e														H	o	s	t	<p>This is the same as the pre-imprinter. See "04 Setting the pre-imprinter orientation".</p>											
1	4	.	P	o	s	t	R	o	t	a	t	e																														
											H	o	s	t																												

Others setting menu (by pressing the OTHERS key)

<p>Number, mode and default display</p> <ul style="list-style-type: none"> Pressing the ▲ key will change to the next mode. Pressing the ▼ key will change to the previous mode. 	<p>Contents</p> <ul style="list-style-type: none"> Pressing the ► key or the ◀ key will change to another value. 																																									
<p>01 Checking the version</p> <table border="1" style="width: 100%; border-collapse: collapse; text-align: center;"> <tr> <td>0</td><td>1</td><td>.</td><td>V</td><td>e</td><td>r</td><td>s</td><td>i</td><td>o</td><td>n</td><td></td><td></td><td></td><td></td><td></td><td></td><td></td><td></td> </tr> <tr> <td>M</td><td>x</td><td>.</td><td>x</td><td>x</td><td>F</td><td>x</td><td>.</td><td>x</td><td>x</td><td>B</td><td>x</td><td>.</td><td>x</td><td>x</td><td></td><td></td><td></td> </tr> </table>	0	1	.	V	e	r	s	i	o	n									M	x	.	x	x	F	x	.	x	x	B	x	.	x	x				<p>MX.XX : Displays the mechanical control firmware version. FX.XX : Displays the pre-imprinter firmware version. If a pre-imprinter unit is not installed, the entry will remain blank. BX.XX : Displays the post-imprinter firmware version. If a post-imprinter unit is not installed, the entry will remain blank.</p>					
0	1	.	V	e	r	s	i	o	n																																	
M	x	.	x	x	F	x	.	x	x	B	x	.	x	x																												
<p>02 Setting the buzzer</p> <table border="1" style="width: 100%; border-collapse: collapse; text-align: center;"> <tr> <td>0</td><td>2</td><td>.</td><td>B</td><td>u</td><td>z</td><td>z</td><td>e</td><td>r</td><td></td><td></td><td></td><td></td><td></td><td></td><td></td><td></td><td></td> </tr> <tr> <td></td><td></td><td></td><td></td><td></td><td></td><td></td><td></td><td></td><td></td><td></td><td></td><td></td><td></td><td></td><td></td><td></td><td>O N</td> </tr> </table>	0	2	.	B	u	z	z	e	r																											O N	<p>→ ON ↔ OFF ←</p>					
0	2	.	B	u	z	z	e	r																																		
																	O N																									
<p>03 Setting the SCSI ID</p> <table border="1" style="width: 100%; border-collapse: collapse; text-align: center;"> <tr> <td>0</td><td>3</td><td>.</td><td>S</td><td>C</td><td>S</td><td>I</td><td>I</td><td>D</td><td></td><td></td><td></td><td></td><td></td><td></td><td></td><td></td><td></td> </tr> <tr> <td></td><td></td><td></td><td></td><td></td><td></td><td></td><td></td><td></td><td></td><td></td><td></td><td></td><td></td><td></td><td>N</td><td>o</td><td>. 6</td> </tr> </table>	0	3	.	S	C	S	I	I	D																									N	o	. 6	<p>→ 0 ↔ 1 ↔ 2 ↔ 3 ↔ 4 ↔ 5 ↔ 6 ↔ 7 ←</p> <ul style="list-style-type: none"> Setting the SCSI ID will be activated after turning the power off and turning it on again. 					
0	3	.	S	C	S	I	I	D																																		
															N	o	. 6																									
<p>04 Setting the terminator</p> <table border="1" style="width: 100%; border-collapse: collapse; text-align: center;"> <tr> <td>0</td><td>4</td><td>.</td><td>T</td><td>e</td><td>r</td><td>m</td><td>i</td><td>n</td><td>a</td><td>t</td><td>o</td><td>r</td><td></td><td></td><td></td><td></td><td></td> </tr> <tr> <td></td><td></td><td></td><td></td><td></td><td></td><td></td><td></td><td></td><td></td><td></td><td></td><td></td><td>E</td><td>n</td><td>a</td><td>b</td><td>l</td><td>e</td> </tr> </table>	0	4	.	T	e	r	m	i	n	a	t	o	r																			E	n	a	b	l	e	<p>→ Enable ↔ Disable ←</p> <p>When the scanner is located to terminal position on SCSI bus, set to "Enable".</p> <ul style="list-style-type: none"> Setting the terminator will be activated after turning the power off and turning it on again. The internal terminator works only when the unit's power has been turned on. If the PC is to be used while the unit's power is off, be absolutely sure to install an external terminator which is available on the market. 				
0	4	.	T	e	r	m	i	n	a	t	o	r																														
													E	n	a	b	l	e																								
<p>05 Setting the transfer rate</p> <table border="1" style="width: 100%; border-collapse: collapse; text-align: center;"> <tr> <td>0</td><td>5</td><td>.</td><td>T</td><td>r</td><td>a</td><td>n</td><td>s</td><td>f</td><td>e</td><td>r</td><td>R</td><td>a</td><td>t</td><td>e</td><td></td><td></td><td></td><td></td> </tr> <tr> <td></td><td></td><td></td><td></td><td></td><td></td><td></td><td></td><td></td><td></td><td></td><td>2</td><td>0</td><td>M</td><td>B</td><td>y</td><td>t</td><td>e</td><td>/</td><td>s</td><td>e</td><td>c</td> </tr> </table>	0	5	.	T	r	a	n	s	f	e	r	R	a	t	e																2	0	M	B	y	t	e	/	s	e	c	<p>→ 20MByte/sec ↔ 10MByte/sec ←</p> <ul style="list-style-type: none"> Changes the maximum value of the synchronous transfer rate of the SCSI interface. Lower the synchronous transfer rate to 10 Mbytes/sec. if the computer has failed to recognize the scanner or the scanner fails to operate properly.
0	5	.	T	r	a	n	s	f	e	r	R	a	t	e																												
											2	0	M	B	y	t	e	/	s	e	c																					

Display Panel Instructions

<p>06 Checking the roller cleaning warning</p> <table border="1" data-bbox="177 293 667 357"> <tr><td>0</td><td>6</td><td>.</td><td>C</td><td>l</td><td>e</td><td>a</td><td>n</td><td></td><td>R</td><td>o</td><td>l</td><td>l</td><td>e</td><td>r</td><td></td></tr> <tr><td>W</td><td>a</td><td>r</td><td>n</td><td>i</td><td>n</td><td>g</td><td></td><td></td><td></td><td></td><td></td><td></td><td></td><td>0</td><td>%</td></tr> </table>	0	6	.	C	l	e	a	n		R	o	l	l	e	r		W	a	r	n	i	n	g								0	%	<p>0%: This is displayed when “Clean Roller Warning ○○%” displayed is cleared.</p> <p>100%: This is displayed when the roller needs to be cleaned.</p>																																
0	6	.	C	l	e	a	n		R	o	l	l	e	r																																																			
W	a	r	n	i	n	g								0	%																																																		
<p>06 Clearing the roller cleaning warning</p> <table border="1" data-bbox="177 442 667 506"> <tr><td>0</td><td>6</td><td>.</td><td>C</td><td>l</td><td>e</td><td>a</td><td>n</td><td></td><td>R</td><td>o</td><td>l</td><td>l</td><td>e</td><td>r</td><td></td></tr> <tr><td>W</td><td>a</td><td>r</td><td>n</td><td>i</td><td>n</td><td>g</td><td></td><td>C</td><td>l</td><td>e</td><td>a</td><td>r</td><td>=</td><td><</td><td>></td></tr> </table>	0	6	.	C	l	e	a	n		R	o	l	l	e	r		W	a	r	n	i	n	g		C	l	e	a	r	=	<	>	<p>When pressing the ► key and the ◀ key simultaneously, “Clean Roller Warning” will be cleared. Then “Completed” will be displayed.</p>																																
0	6	.	C	l	e	a	n		R	o	l	l	e	r																																																			
W	a	r	n	i	n	g		C	l	e	a	r	=	<	>																																																		
<p>07 Checking the roller modules replacement warning</p> <table border="1" data-bbox="177 629 667 693"> <tr><td>0</td><td>7</td><td>.</td><td>R</td><td>e</td><td>p</td><td>l</td><td>a</td><td>c</td><td>e</td><td></td><td>R</td><td>o</td><td>l</td><td>l</td><td>.</td></tr> <tr><td>W</td><td>a</td><td>r</td><td>n</td><td>i</td><td>n</td><td>g</td><td></td><td></td><td></td><td></td><td></td><td></td><td></td><td>0</td><td>%</td></tr> </table>	0	7	.	R	e	p	l	a	c	e		R	o	l	l	.	W	a	r	n	i	n	g								0	%	<p>0% : This is displayed when “Replace Roll. Warning ○○%” displayed is cleared.</p> <p>100% : This is displayed when the roller modules need to be replaced.</p>																																
0	7	.	R	e	p	l	a	c	e		R	o	l	l	.																																																		
W	a	r	n	i	n	g								0	%																																																		
<p>07 Clearing the roller modules replacement warning</p> <table border="1" data-bbox="177 810 667 874"> <tr><td>0</td><td>7</td><td>.</td><td>R</td><td>e</td><td>p</td><td>l</td><td>a</td><td>c</td><td>e</td><td></td><td>R</td><td>o</td><td>l</td><td>l</td><td>.</td></tr> <tr><td>W</td><td>a</td><td>r</td><td>n</td><td>i</td><td>n</td><td>g</td><td></td><td>C</td><td>l</td><td>e</td><td>a</td><td>r</td><td>=</td><td><</td><td>></td></tr> </table>	0	7	.	R	e	p	l	a	c	e		R	o	l	l	.	W	a	r	n	i	n	g		C	l	e	a	r	=	<	>	<p>When pressing the ► key and the ◀ key simultaneously, “Replace Roll. Warning” will be cleared. Then “Completed” will be displayed.</p>																																
0	7	.	R	e	p	l	a	c	e		R	o	l	l	.																																																		
W	a	r	n	i	n	g		C	l	e	a	r	=	<	>																																																		
<p>08 Setting the product ID</p> <table border="1" data-bbox="177 959 667 1023"> <tr><td>0</td><td>8</td><td>.</td><td>P</td><td>r</td><td>o</td><td>d</td><td>u</td><td>c</td><td>t</td><td></td><td>I</td><td>D</td><td></td><td></td><td></td></tr> <tr><td></td><td></td><td></td><td></td><td></td><td></td><td></td><td></td><td></td><td></td><td>K</td><td>V</td><td>-</td><td>S</td><td>2</td><td>0</td></tr> <tr><td></td><td></td><td></td><td></td><td></td><td></td><td></td><td></td><td></td><td></td><td>6</td><td>5</td><td></td><td></td><td></td><td></td></tr> </table>	0	8	.	P	r	o	d	u	c	t		I	D														K	V	-	S	2	0											6	5					<p>→ KV-S2065 ↔ KV-SS855 ↔ KV-S2055 ↔ KV-S6045 ←</p> <p>↳ KV-S6055 ←</p> <p>The applications for the scanner which have been set can be used.</p> <ul style="list-style-type: none"> • An error results if an attempt is made to use a function which are not provided with the KV-S2065 series of scanners. • No guarantees are given for complete compatibility. 																
0	8	.	P	r	o	d	u	c	t		I	D																																																					
										K	V	-	S	2	0																																																		
										6	5																																																						
<p>09 Setting the sleep mode</p> <table border="1" data-bbox="177 1310 667 1374"> <tr><td>0</td><td>9</td><td>.</td><td>S</td><td>l</td><td>e</td><td>e</td><td>p</td><td></td><td>M</td><td>o</td><td>d</td><td>e</td><td></td><td></td><td></td></tr> <tr><td></td><td></td><td></td><td></td><td></td><td></td><td></td><td></td><td>A</td><td>f</td><td>t</td><td>e</td><td>r</td><td></td><td>1</td><td>5</td></tr> <tr><td></td><td></td><td></td><td></td><td></td><td></td><td></td><td></td><td></td><td></td><td></td><td></td><td></td><td></td><td>m</td><td>i</td></tr> <tr><td></td><td></td><td></td><td></td><td></td><td></td><td></td><td></td><td></td><td></td><td></td><td></td><td></td><td></td><td>n</td><td>.</td></tr> </table> <p>To conserve energy and operating cost, this scanner is provided with a programmable power save feature. The scanner is factory set with the power save feature (sleep mode) turned on to comply with ENERGY STAR® requirement. If sleep mode is enabled, the scanner enters the sleep mode when the scanner is idle for 15 minutes.</p>	0	9	.	S	l	e	e	p		M	o	d	e												A	f	t	e	r		1	5															m	i															n	.	<p>→ After 1 min. ~ After 60 min. ↔ Disable ←</p> <ul style="list-style-type: none"> • 1min. ~ 60min. • To return from the sleep mode, press any key on the scanner or issue the scan instruction from the application.
0	9	.	S	l	e	e	p		M	o	d	e																																																					
								A	f	t	e	r		1	5																																																		
														m	i																																																		
														n	.																																																		

● Other display explanations

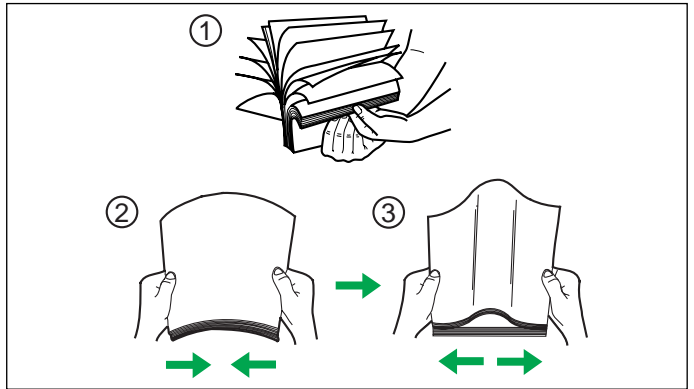
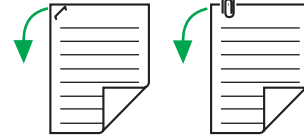
Display	Content																																																		
<table border="1" style="margin: auto;"> <tr><td>S</td><td>c</td><td>a</td><td>n</td><td>n</td><td>i</td><td>n</td><td>g</td><td>.</td><td>.</td><td>.</td><td></td><td></td><td></td><td></td><td></td><td></td><td></td><td></td><td></td><td></td><td></td><td>1</td></tr> <tr><td></td><td></td><td></td><td></td><td></td><td></td><td></td><td></td><td></td><td></td><td></td><td></td><td></td><td></td><td></td><td></td><td></td><td></td><td></td><td></td><td></td><td></td><td></td><td></td></tr> </table>	S	c	a	n	n	i	n	g	.	.	.												1																									<p>This will be displayed when scanning is started until it is completed. After completion, "Ready" will be displayed.</p>			
S	c	a	n	n	i	n	g	.	.	.												1																													
<table border="1" style="margin: auto;"> <tr><td>S</td><td>t</td><td>o</td><td>p</td><td>p</td><td>i</td><td>n</td><td>g</td><td>.</td><td>.</td><td>.</td><td>W</td><td>a</td><td>i</td><td>t</td><td>!</td><td></td><td></td><td></td><td></td><td></td><td></td><td></td><td></td></tr> <tr><td></td><td></td><td></td><td></td><td></td><td></td><td></td><td></td><td></td><td>1</td><td>2</td><td>3</td><td>4</td><td>5</td><td>6</td><td>7</td><td>8</td><td></td><td></td><td></td><td></td><td></td><td></td><td></td><td></td></tr> </table>	S	t	o	p	p	i	n	g	.	.	.	W	a	i	t	!																		1	2	3	4	5	6	7	8									<p>If the STOP key is pressed, scanning will stop. This will be displayed when the STOP key was pressed during scanning. Even if the STOP key is pressed in a setting mode, this will be displayed. Then the scanner will return to setting mode after stopping scanner operation.</p>	
S	t	o	p	p	i	n	g	.	.	.	W	a	i	t	!																																				
									1	2	3	4	5	6	7	8																																			
<table border="1" style="margin: auto;"> <tr><td>S</td><td>c</td><td>a</td><td>n</td><td>n</td><td>e</td><td>r</td><td>S</td><td>t</td><td>o</td><td>p</td><td>p</td><td>e</td><td>d</td><td></td><td></td><td></td><td></td><td></td><td></td><td></td><td></td><td></td><td></td><td></td></tr> <tr><td></td><td></td><td></td><td></td><td></td><td></td><td></td><td></td><td></td><td>1</td><td>2</td><td>3</td><td>4</td><td>5</td><td>6</td><td>7</td><td>8</td><td></td><td></td><td></td><td></td><td></td><td></td><td></td><td></td></tr> </table>	S	c	a	n	n	e	r	S	t	o	p	p	e	d																					1	2	3	4	5	6	7	8									<p>This will be displayed when the STOP key is pressed and the scanner stops. Even if the document remains in the scanner, "JAM" will not be displayed. If the document remains in the scanner, open the front door and remove it. Then "Ready" will be displayed.</p>
S	c	a	n	n	e	r	S	t	o	p	p	e	d																																						
									1	2	3	4	5	6	7	8																																			
<table border="1" style="margin: auto;"> <tr><td>P</td><td>r</td><td>e</td><td>s</td><td>s</td><td>S</td><td>T</td><td>A</td><td>R</td><td>T</td><td>K</td><td>e</td><td>y</td><td></td><td></td><td></td><td></td><td></td><td></td><td></td><td></td><td></td><td></td><td></td><td>1</td></tr> <tr><td></td><td></td><td></td><td></td><td></td><td></td><td></td><td></td><td></td><td></td><td></td><td></td><td></td><td></td><td></td><td></td><td></td><td></td><td></td><td></td><td></td><td></td><td></td><td></td><td></td></tr> </table>	P	r	e	s	s	S	T	A	R	T	K	e	y												1																										<p>This will be displayed after setting scanning to start with a host computer. If the document is set and the START key is pressed, scanning will start.</p>
P	r	e	s	s	S	T	A	R	T	K	e	y												1																											
<table border="1" style="margin: auto;"> <tr><td>S</td><td>i</td><td>e</td><td>e</td><td>p</td><td></td><td></td><td></td><td></td><td></td><td></td><td></td><td></td><td></td><td></td><td></td><td></td><td></td><td></td><td></td><td></td><td></td><td></td><td></td><td></td></tr> <tr><td></td><td></td><td></td><td></td><td></td><td></td><td></td><td></td><td></td><td></td><td></td><td></td><td></td><td></td><td></td><td></td><td></td><td></td><td></td><td></td><td></td><td></td><td></td><td></td><td></td></tr> </table>	S	i	e	e	p																																														<p>This is displayed in the sleep mode. To return from the sleep mode, press any key on the scanner or issue the scan instruction from the application.</p>
S	i	e	e	p																																															

Loading Documents

1 Documents that have been stapled together or stacked together (as in a file folder), will need to be separated.

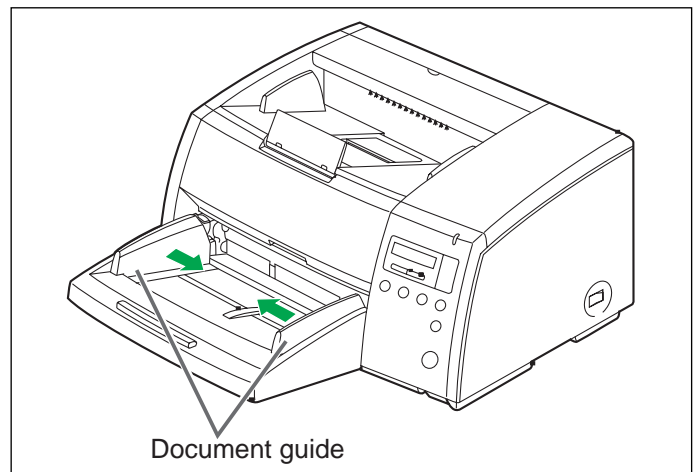
- ① Fan the stack of documents to separate all the edges.
 - ② Hold both ends and bend the documents as shown in the illustration.
 - ③ To straighten the documents, hold firmly and pull them apart as shown in the illustration.
- Repeat these steps as necessary.

Prior to scanning, remove, all staples and paper clips from pages.



2 Carefully align the documents.

3 Adjust the document guides slightly larger than the actual size of the document.



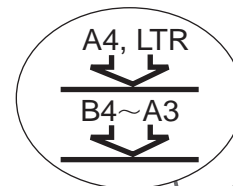
4 Place the documents on the hopper with the side to be scanned facing up. Then push them in the direction of the arrow until they stop.

- Be sure to place the documents on the hopper as shown in the diagram at the right.

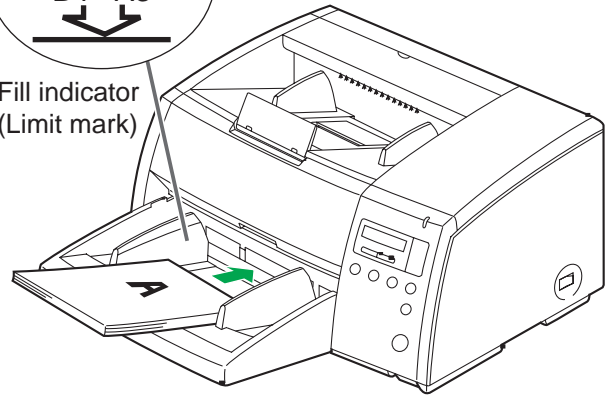
The amount of documents should not exceed the limit mark on the document guide. This may cause a paper jam or skew.

- The scanning document size is different for the KV-S2065L and KV-S2065W. Please refer to [page 47](#) "Specifications" for details.
- For documents up to A4, letter or legal size, up to 300 sheets of 64 g/m² (17 lbs.) paper can be placed at one time on the hopper. For documents up to B4, A3 or ledger size, up to 200 sheets of 64 g/m² (17 lbs.) paper can be placed.
- Even with A4, letter and legal size documents, the maximum number of sheets of paper which can be inserted when the documents are to be scanned in the landscape mode is 200 which is the same number as for the B4, A3 and ledger size documents. (This is the number of sheets that comes up to the B4-A3 limit mark.)

Portrait

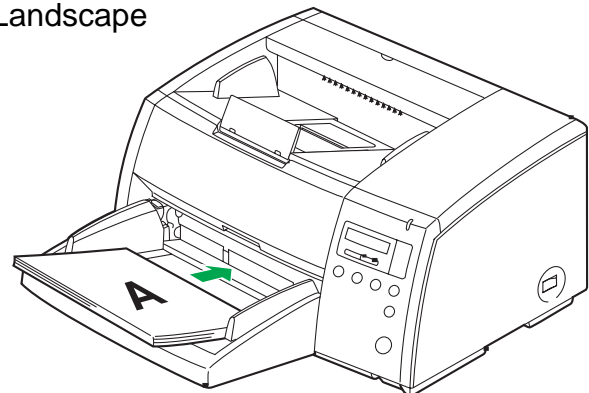


Fill indicator
(Limit mark)



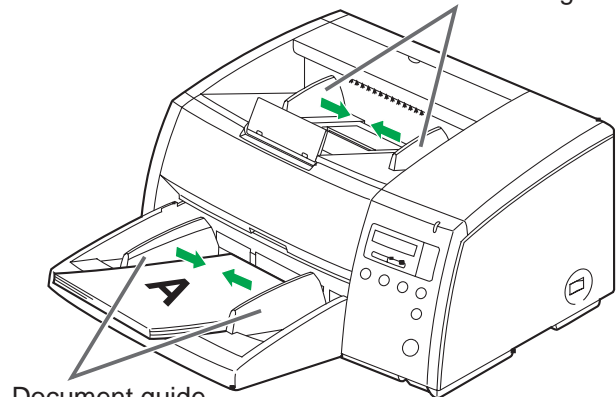
The fill indicator illustration is only for the KV-S2065W.

Landscape



5 Adjust the document guides to the size of the document to be scanned. Adjust the exit document guides to the size of the document to be output, if required.

Exit document guide



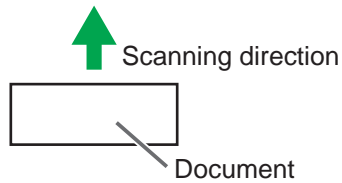
Document guide

Loading Documents

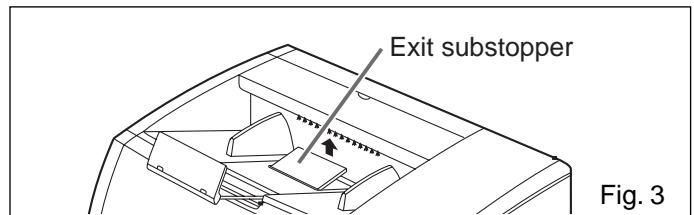
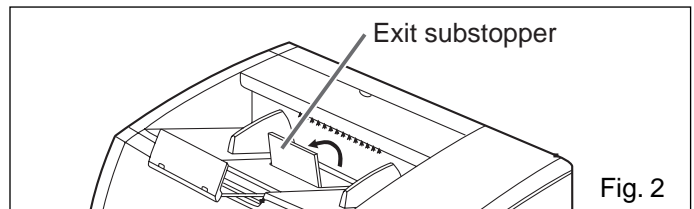
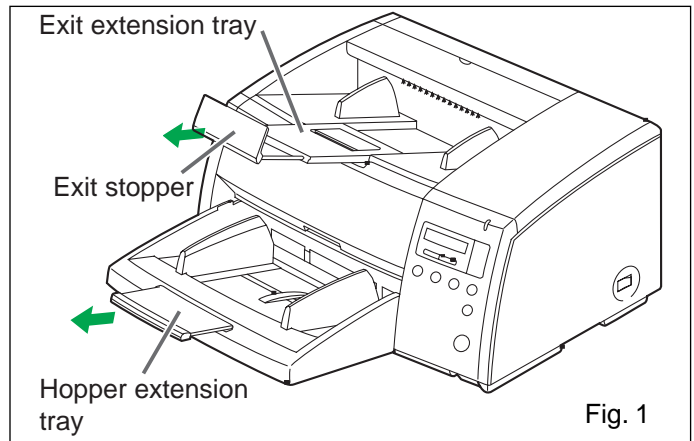
6 When using long paper, pull out the hopper extension tray from the hopper and the exit stopper from the exit extension tray.

You can also extend the exit extension tray, if required. (See fig. 1)

- When scanning narrow documents as shown below, pull up the exit substopper. (See fig. 2)



- When scanning thin documents, raise the exit substopper slightly to let the document exit smoothly. (See fig. 3)



Cautions:

- For thin, thick or important paper, scan the document using single sheet (manual feed) mode. Also, remove the document from the pre-imprinter door (exit part) after it is scanned.
- The scanner will accept 50 to 157 g/m² (13 to 42 lbs.) paper for continuous scanning and 20 to 157 g/m² (5.3 to 42 lbs.) paper for single scanning.
- When scanning a thin, folded, creased or curled document, after straightening the document, set the feed speed to "Slow".
- When scanning thin documents, be sure to use less than 300 sheets.
- When scanning copying paper such as carbon or carbonless paper, set hopper single sheet (manual feed).
- When setting the document, be sure that it does not exceed the fill indicator (limit mark).
- Be sure to remove the document from the pre-imprinter door (exit part) after it is scanned.
- In cases where very fragile documents are to be scanned, it is recommended to make a copy and scan the copy.

Types of documents to avoid:

- OHP sheets, other plastic film, cloth, or metallic sheets
- Paper with irregularities such as tabs, staples, paste, etc.
- Documents with wet ink
- Thick or irregular documents such as envelopes, paste, etc.
- Copying paper such as carbons or carbonless paper (Chemically treated carbonless forms)
Note: Scanning chemically treated paper will result in premature wear of the paper feed roller.
- Damaged or wrinkled documents
- Irregular shaped documents
- Tracing paper

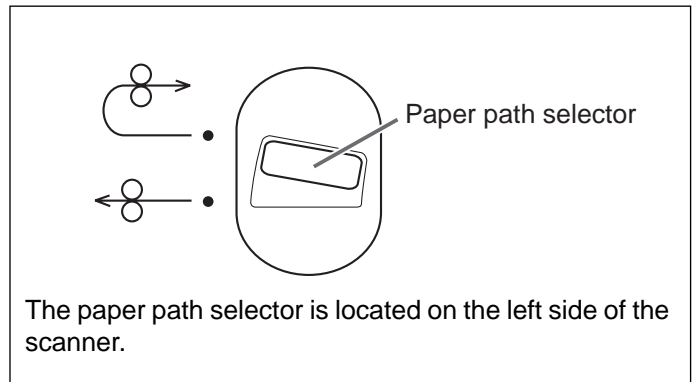
Secondary Settings

■ Selecting the paper path for scanned document

To select the front, set the paper path selector to the upper side.

To select a straight path pass through to the back, set the paper path selector to the lower side.

- When scanning documents with a thickness of 0.2 mm to 1 mm, like folded documents, set the paper path selector to straight.



■ Setting the ADF / manual feed selector

● Single scanning

When scanning a single sheet or several sheets, set the ADF / manual feed selector to “MANUAL”.

● Continuous scanning

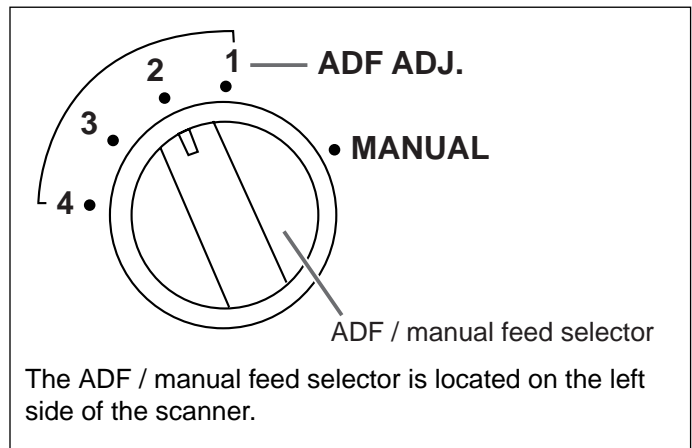
When scanning normal paper continuously, set the ADF / manual feed selector to “2”.

When scanning with smooth sided paper or a paper jam occurs with normal paper, set the ADF / manual feed selector to “3”.

When double feeding occurs frequently or scanning a document with a rough face as in NCR paper, set the ADF / manual feed selector to “1”.

When a jam occurs at the paper feed component, set the ADF / manual feed selector to “4”.

- The ADF / manual feed selector must be set in the chosen specific position for this setting to function properly.
- If double feed alarm beeps frequently, change the ADF / manual feed selector.



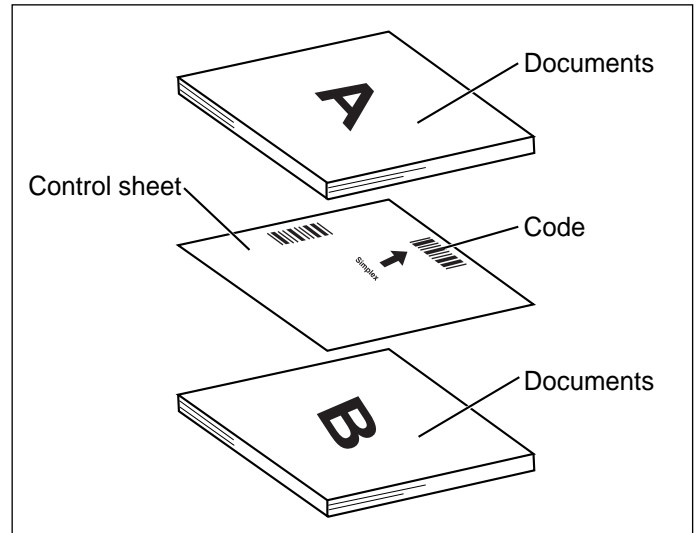
■ How to use the control sheet

If the control sheet is used, the documents under the control sheet are scanned in accordance with the code on the control sheet regardless of scanning condition that is selected previously.

- Multiple control sheets can be used.
- When using a control sheet, the application software required depends on the control sheet.
- Print out control sheets from the provided CD-ROM.

Caution

- Use the same size control sheet as the scanning document.
- When printing the control sheet, if the pattern falls in the area from the top side of the document to 25 mm, adjust the printer.
Also, copy the control sheet so that the pattern lies in the center of the copy.
- Be careful not to get the control sheet dirty.
Do not fold or crease the control sheet.
Scanning will not be performed properly.



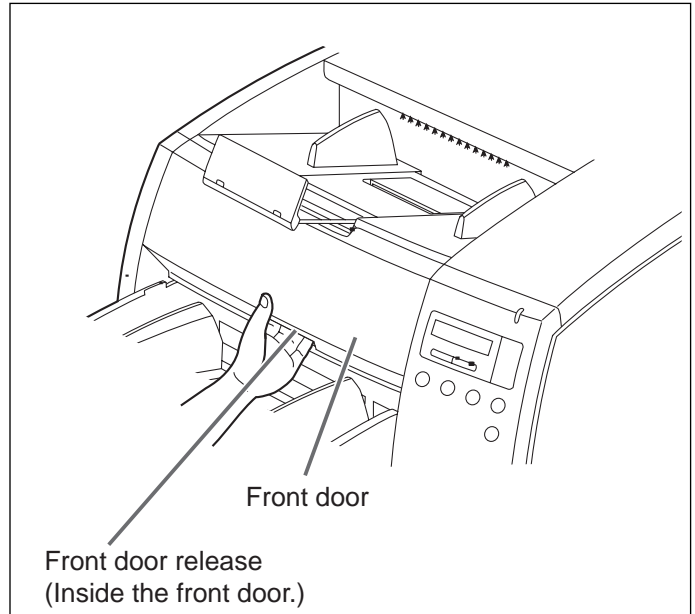
Clearing Paper Jams

Torn documents, thin documents or documents that are creased on the top edge may cause paper jams. If a paper jam occurs ("U xx JAM" will be displayed on the LCD), remove the jammed sheet according to the following procedure.

■ Removing paper jams from the scanner

Use your hand to pull towards you the front door release, open the front door and pull the jammed document towards the front. Then close the front door. (See figure on right.)

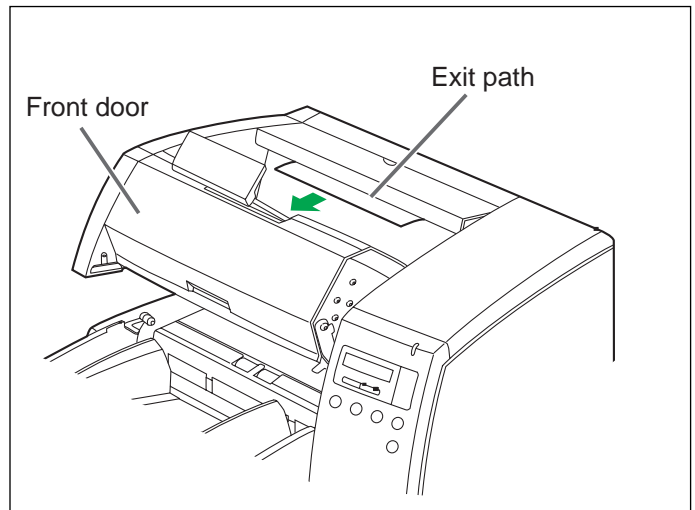
- Push both sides of the front door down slowly until it clicks into place.



■ Removing paper jams from the exit path

If a jammed document appears at the exit part, open the front door and pull the document forward, then close the front door.

- Push both sides of the front door down slowly until it clicks into place.

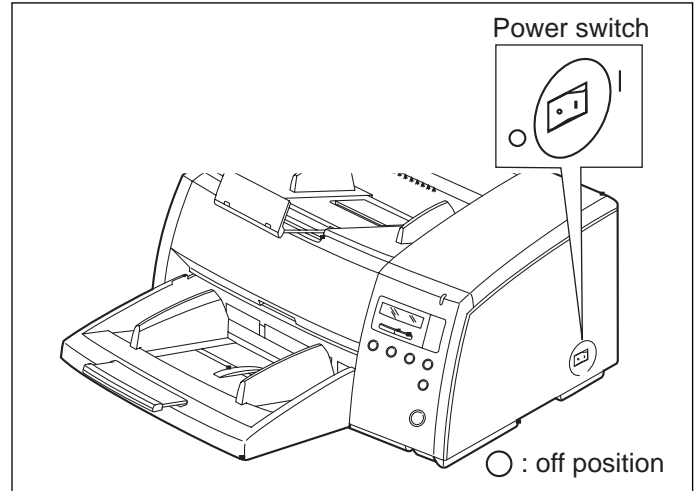


Cleaning the Unit

■ Outside of the scanner

- Clean the unit at least once a month.

- 1 Turn the power off.
- 2 Clean the cover with a soft cloth.
 - The document insertion and exit slots get dirty easily, so clean them.
- 3 Remove dirt and dust from the fan exhaust vent with a brush.

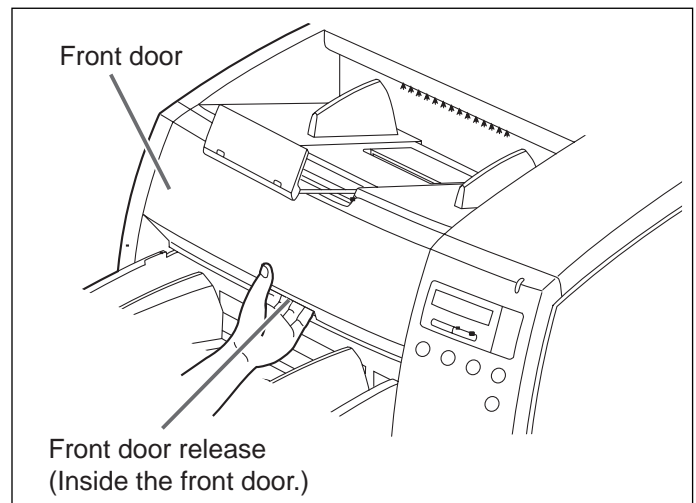


■ Inside the scanner

- Clean the unit at least once a week or when 50,000 sheets have been scanned, whichever comes first.
- Clean the rollers, document sensors and double feed detection sensors if paper jamming or double feeding occurs frequently.
- Clean the scanning section glass and sensor rollers when black or white lines appear on the scanned images.
- If the documents you are scanning are dirty, then the scanner parts will become dirty as well. To maintain proper scanning, clean the scanner parts frequently.

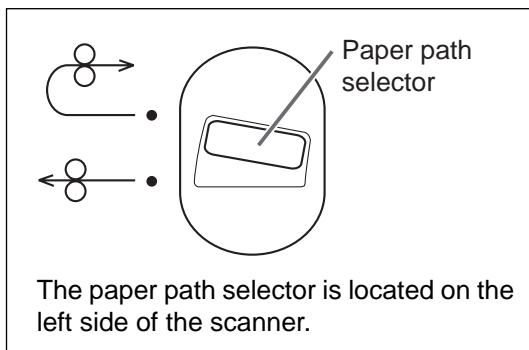
■ Cleaning the rollers

- 1 Turn the power off.
- 2 Use your fingers to hold down the front door release. Then open the front door completely.

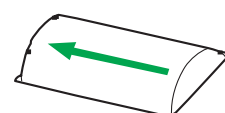
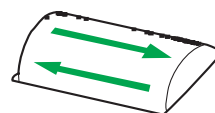
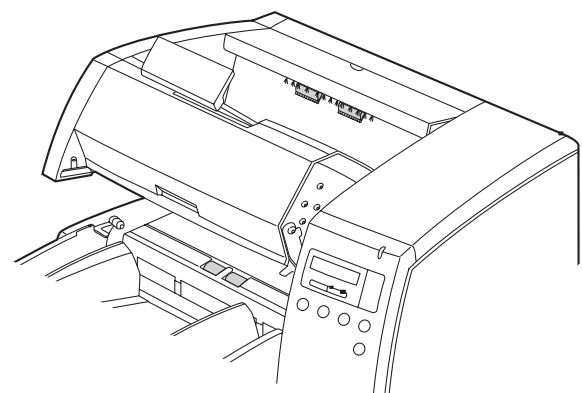
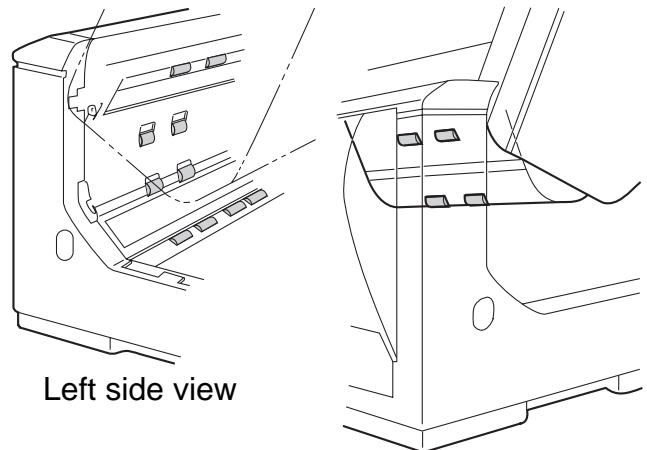
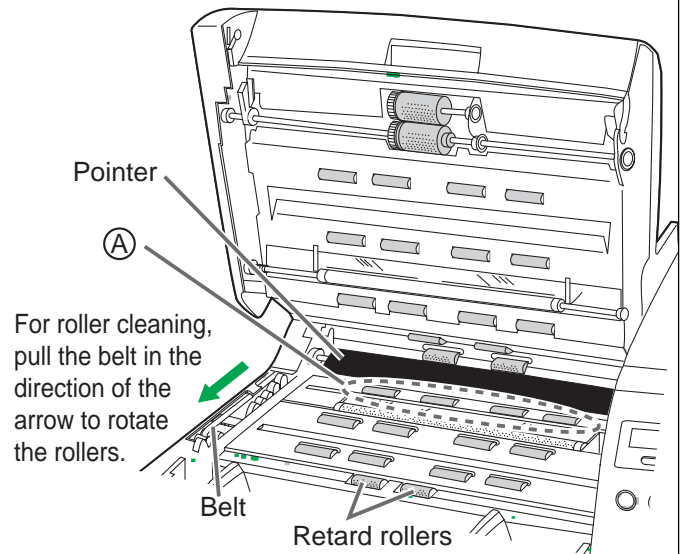


3 Use the accessory roller cleaning paper (KV-SS03) to remove the dirt from the surfaces of all rollers.

- When wiping off the dirt, hold the rollers to prevent them from rotating. Wipe the rollers all the way around from one end to the other in the directions of the arrows shown on the diagram to the right.
- Perform the retard roller cleaning only in the left direction. If cleaned in the right direction, the roller may slip out of the proper position.
- When cleaning the rollers in the back of the bottom scanning section glass (rollers of part ①), do not touch the tip of the plastic pointer (black) in the back of the unit.
Set the paper path selector as shown below. When the tip of the pointer is raised, the tip may cause an injury.

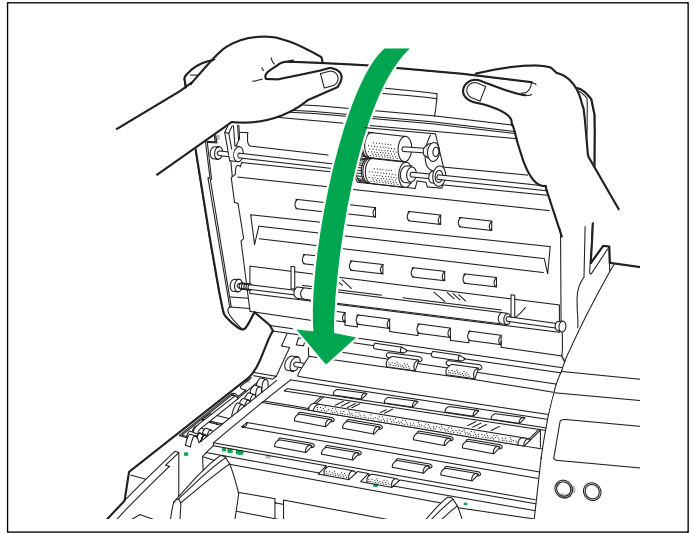


- The rollers to be cleaned are shaded.
- Wipe in the direction of the arrows.



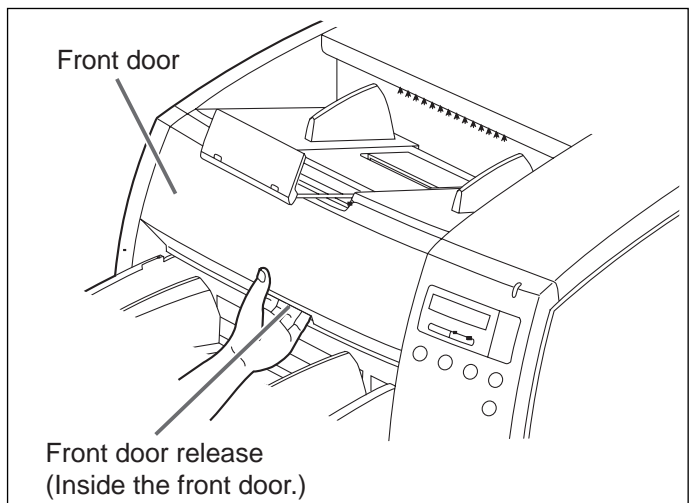
Cleaning the Unit

- 4** Close the front door.
- Push both sides of the front door down slowly until it clicks into place.
 - After cleaning, clear the “Clean Roller Warning” display. (Refer to [page 28](#).)



■ Cleaning the scanning section glass, sensor rollers, document sensors and double feed detection sensors

- 1** Turn the power off.
- 2** Use your hand to pull towards you the front door release. Then open the front door completely.



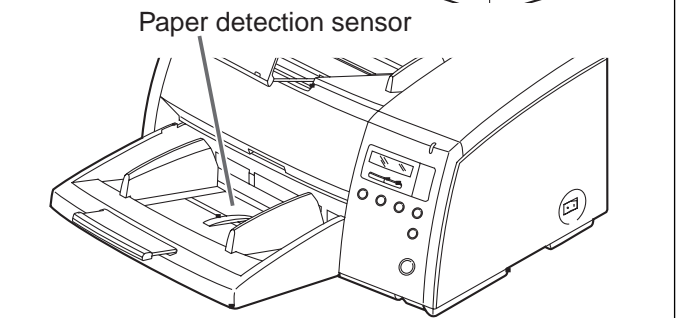
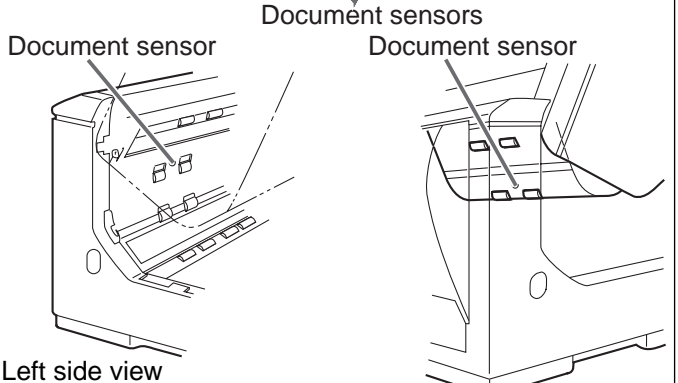
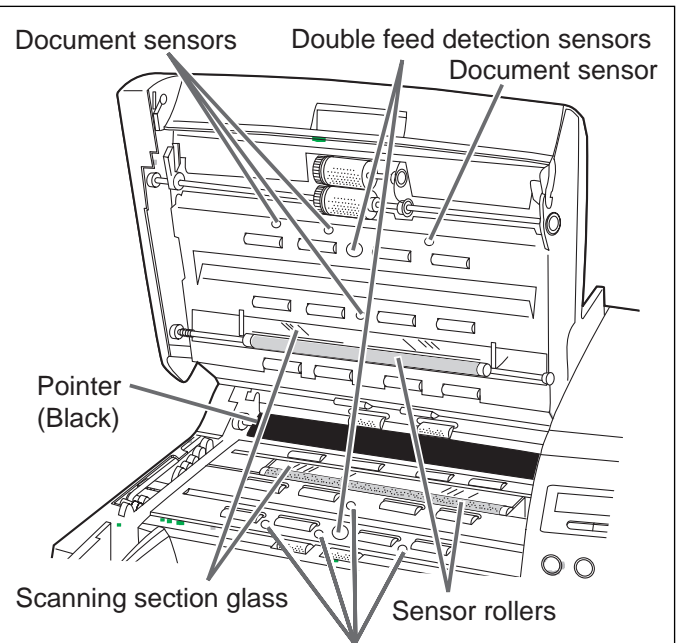
3 Clean the scanning section glass and sensor rollers using the accessory roller cleaning paper.

Then remove the dirt on the document sensors and double feed detection sensors with the included blower.

- When cleaning the bottom scanning section glass, do not touch the tip of the plastic pointer (black) in the back of the unit.

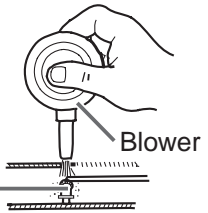
If the paper path selector is set to the lower side, it may cause an injury.

- If the sensor roller is removed while cleaning, re-attach it after cleaning. (Refer to [page 40](#) for re-attachment.)



● **How to clean the document sensor, double feed detection sensor or paper detection sensor**

Remove the brush and blow off the dirt through the document sensor hole, double feed detection sensor hole or paper detection sensor hole.



Document sensor, double feed detection sensor or paper detection sensor

4 Close the front door. (See the diagram in [step 4 on page 38](#).)

- Push both sides of the front door down slowly until it clicks into place.

Cleaning the Unit

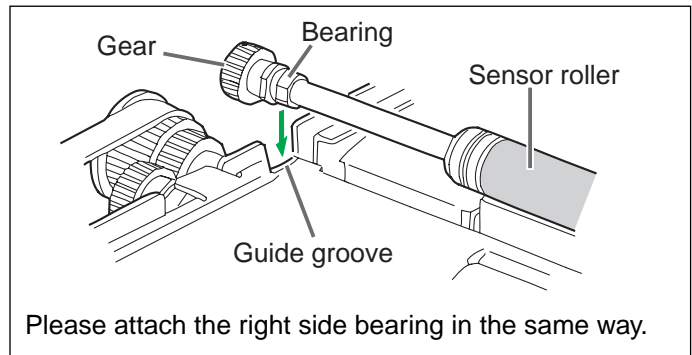
● Re-attachment of the sensor roller

When the sensor roller is removed while cleaning the inside of the scanner, re-attach it as shown below.

Lower sensor roller:

Attach the roller by placing the gear side to the left side of the scanner and inserting both side's bearings into the guide grooves.

- After attaching, press down on top of the sensor roller with your finger to confirm if it moves or not.



Upper sensor roller:

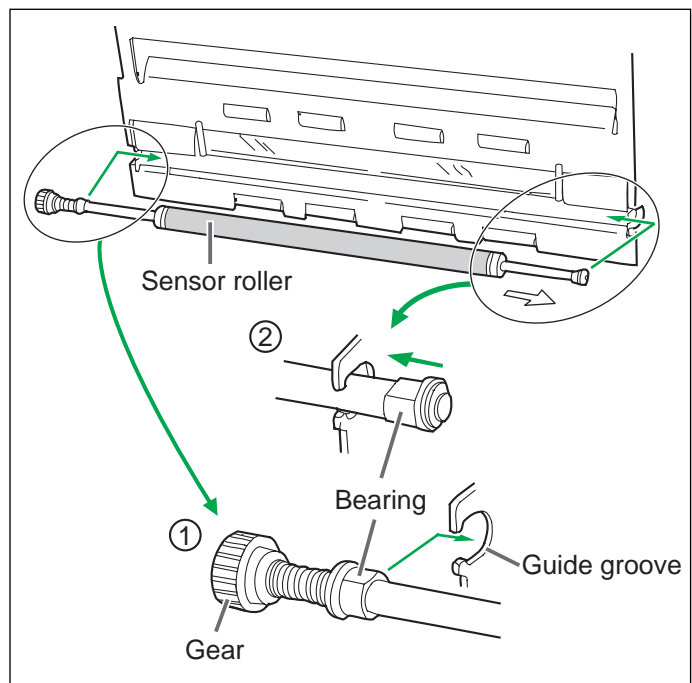
- ① Attach the roller by inserting the bearing of the gear side of the roller into the guide groove on the left side of the scanner.

- Match the flat side of the bearing with the flat side of the guide groove.

- ② Hold the shaft on the right side of the sensor roller, push the tip of the gear, and slide the sensor roller in the direction of the arrow ⇨.

Then attach the roller by inserting the bearing of the non-gear side of the roller into the guide groove on the right side of the scanner.

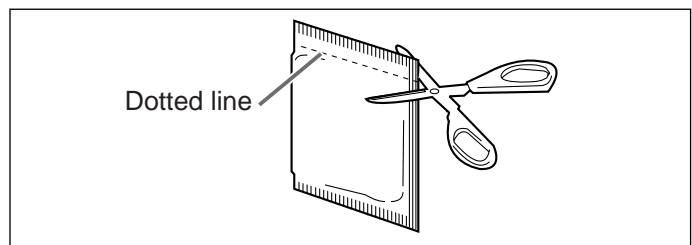
- Match the flat side of the bearing with the flat side of the guide groove.



■ Roller cleaning paper

Open the bag on the dotted line and take out the roller cleaning paper.

- If the bag is left open for a long period of time, the alcohol will evaporate. Please use the roller cleaning paper immediately after opening the bag.



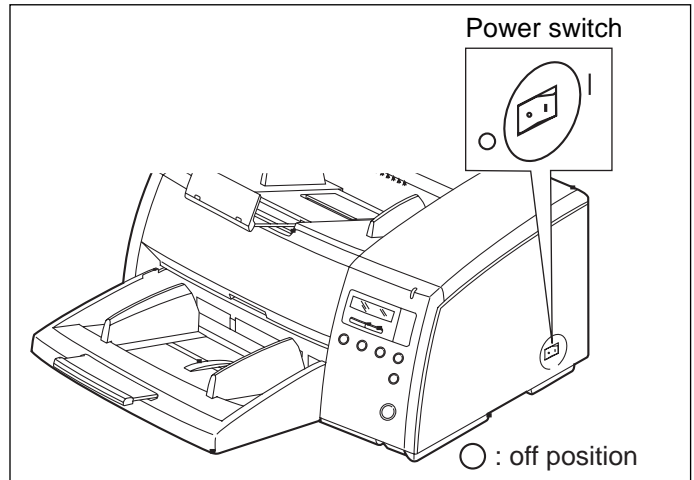
※ The roller cleaning paper (Model No. KV-SS03) is available from the dealer where you purchased your scanner.

For supplies and accessories: Call 1-800-346-4768 (U. S. A. only) or your dealer.

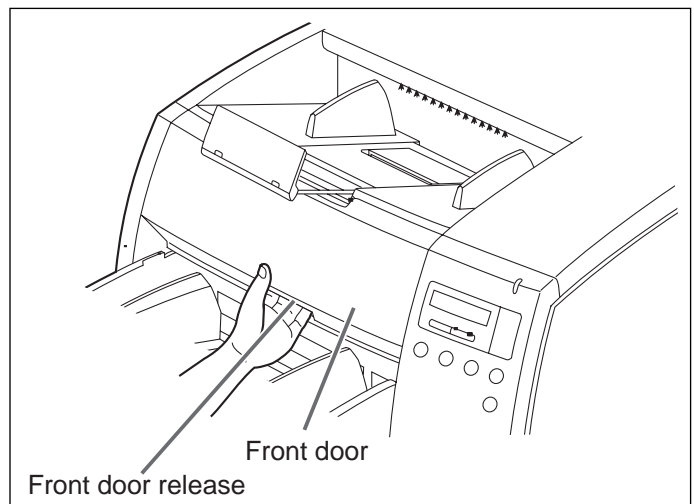
Replacing Consumables

If "Warning Replace Roller" message is displayed on the LCD, replace the paper feed roller module and retard roller module at the same time.

- 1 Turn the power off and unplug the power cord.

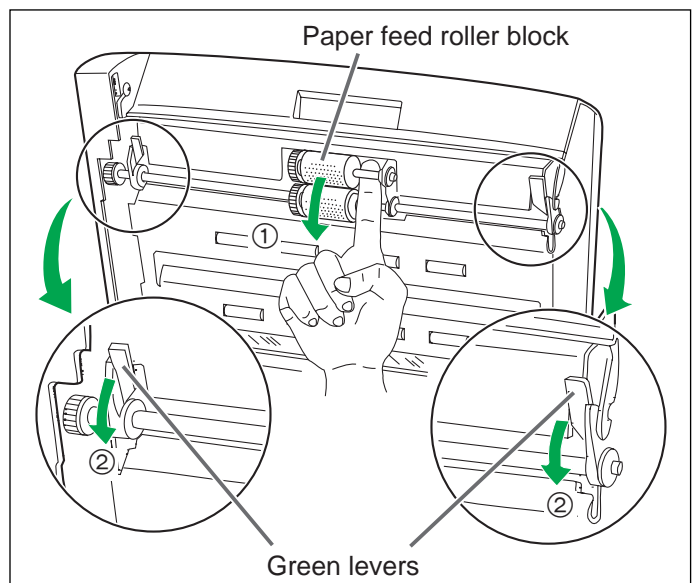


- 2 Use your hand to pull towards you the front door release. Then open the front door completely.



- 3 Place your finger on the paper feed roller block shaft and pull it towards you to remove the paper feed roller block from the magnet. (①)
Push down the green levers and remove the paper feed roller module from the scanner by holding the green levers. (②)

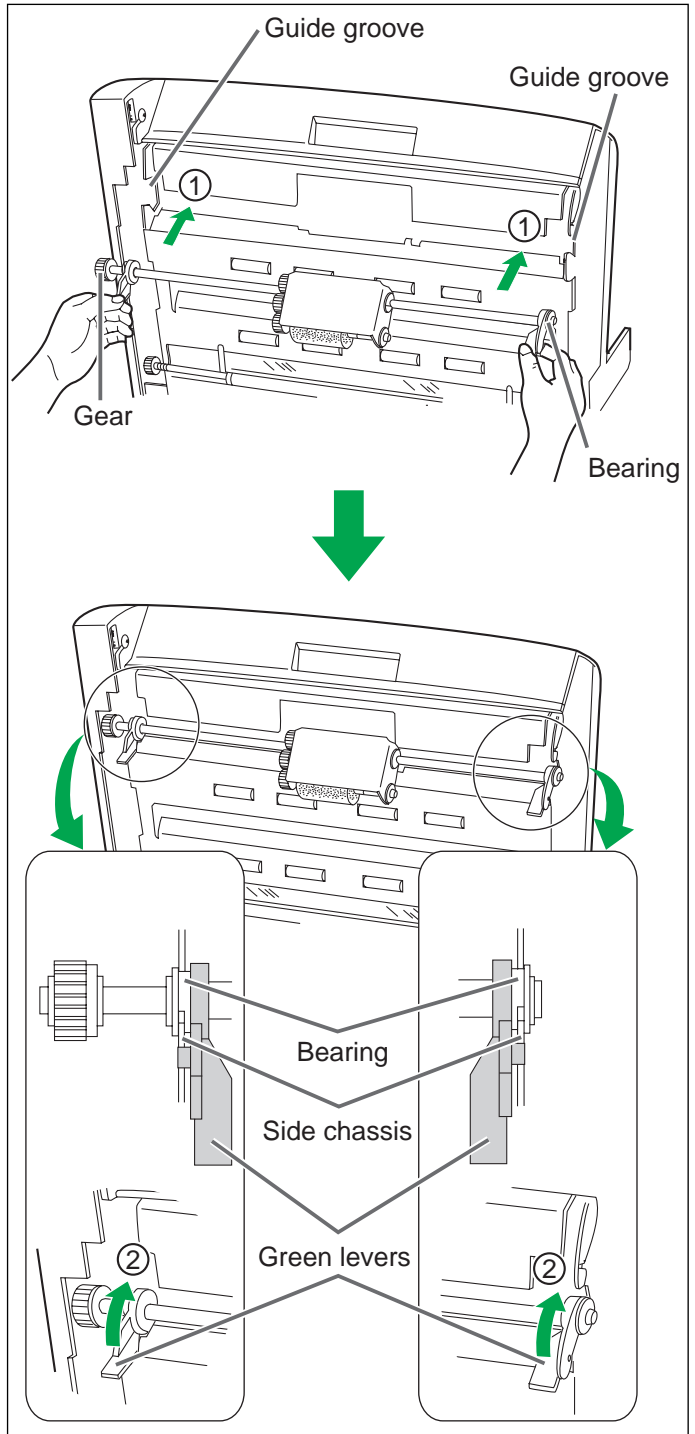
- The paper feed roller block is attached by a magnet.
- When moving the green levers, do not apply pressure in any other direction than the arrows. They may break.



Replacing Consumables

- 4** Open the optional “Roller Exchange Kit (KV-SS009)”, and take out the paper feed roller module.
For supplies and accessories:
Call 1-800-346-4768 (U. S. A. only) or your dealer.

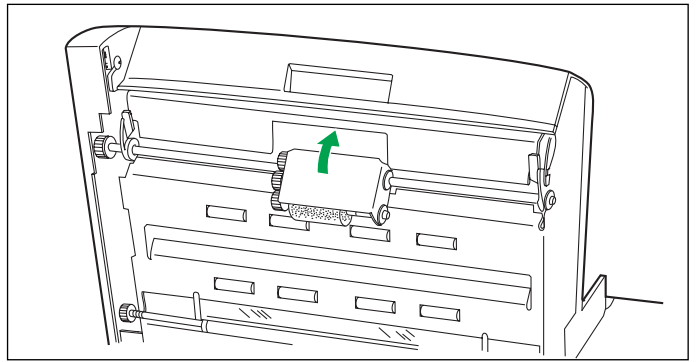
- 5** Install the new paper feed roller module with the gear on the left side and the bearings into the guide grooves of the side chassis in the scanner. (①)
Then push up the green levers on both ends until they click into place. (②)
- Match the paper feed roller module with the bearings and guide grooves, and then attach it.



6 Push up on the paper feed roller block and it will magnetically attach to the chassis.

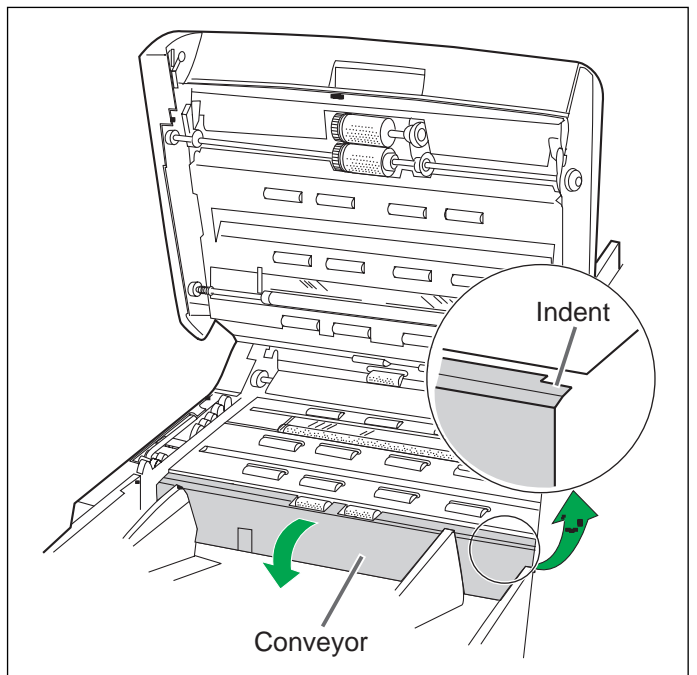
- When attaching the paper feed roller block to the chassis, do not damage the roller.
- You are now finished attaching the paper feed roller module.

To continue, replace the retard roller module according to the following procedure. (The retard roller module is located in the conveyor.)



7 Pull open the conveyor towards you by using the indent on the right side.

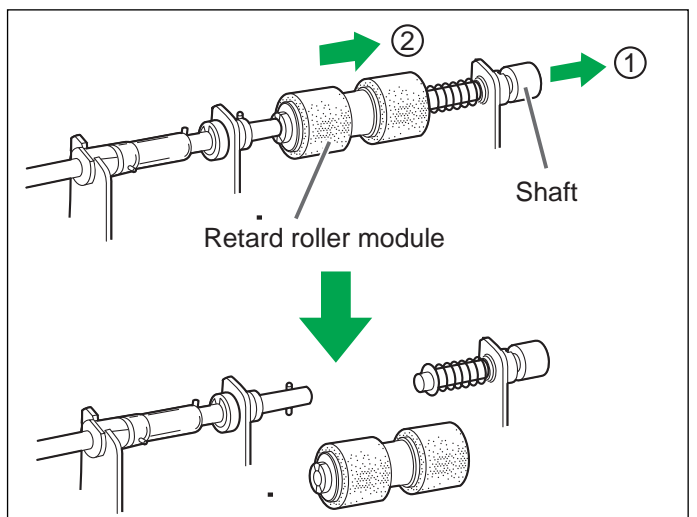
- When the conveyor is pulled towards you, the click-stop mechanism will be released.
- When opening the conveyor, be careful not get your finger stuck in the indent.



8 Pull the right side of the shaft in the direction of the arrow and hold it there.

(1)

Pull the retard roller module in the direction of the arrow (2) and then remove it.



Replacing Consumables

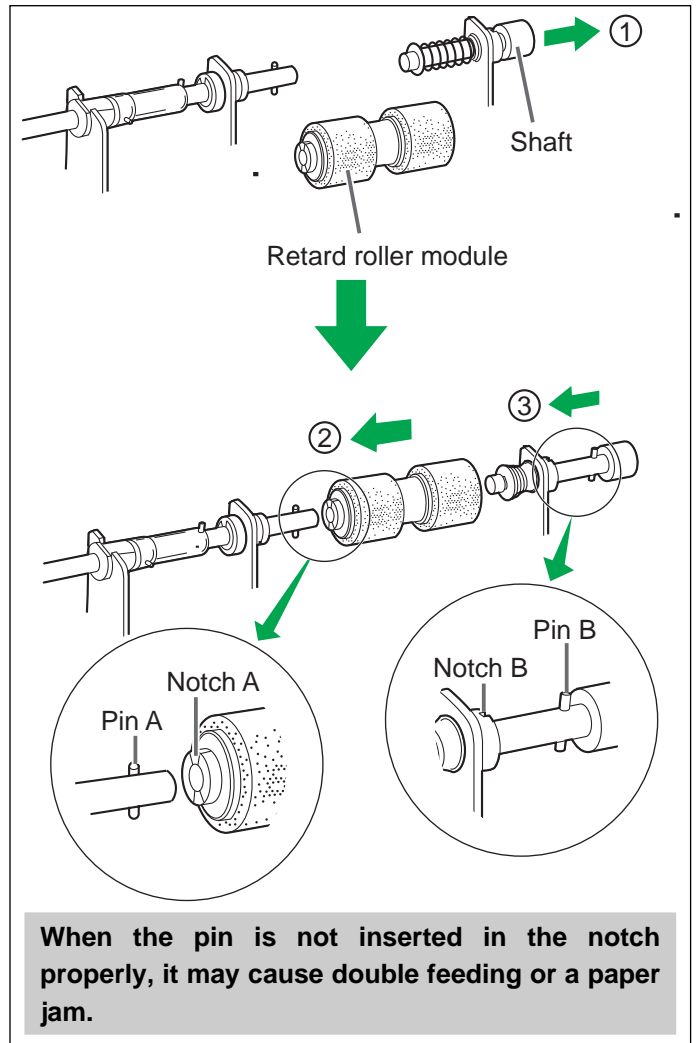
9 Take out the retard roller module in the optional “Roller Exchange Kit (KV-SS009)”.

For supplies and accessories:
Call 1-800-346-4768 (U. S. A. only) or your dealer.

10 Pull the right side of the shaft in the direction of the arrow and hold it there. (1)

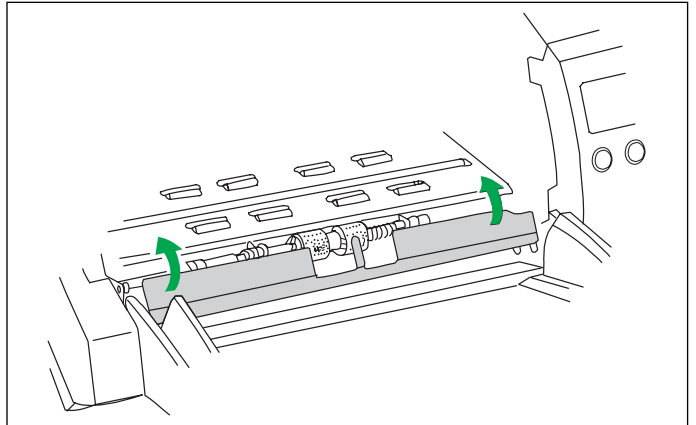
Attach the new retard roller module as shown in the diagram on the right (2) and then return the right side of the shaft in the direction of the arrow. (3)

- Confirm if pin A and pin B are inserted in their notches correctly.
- Attach the retard roller module so that the notch A is on the left side.



11 Hold the conveyor using both hands, and close the conveyor by pushing it into the unit.

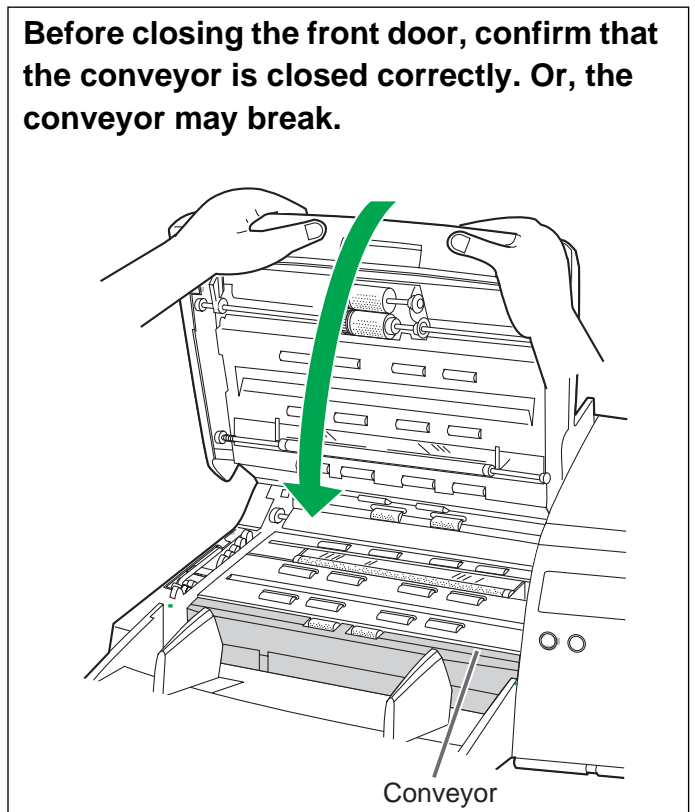
- When the conveyor is closed, the click-stop mechanism will operate.
- If the conveyor is not closed correctly and the operation in step 12 is done, the conveyor may break.



12 Close the front door.

- Push both sides of the front door down slowly until it clicks into place.
- After replacing rollers, clear the “Replace Roll. Warning” display. (Refer to [page 28](#).)

Before closing the front door, confirm that the conveyor is closed correctly. Or, the conveyor may break.



Repacking Instructions

It is highly recommended that you keep the original carton and ALL packing materials. If you need to transport or ship your scanner, please follow these instructions.

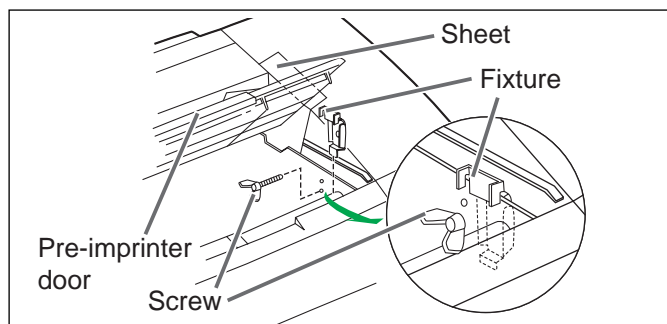
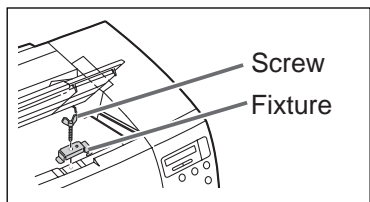
Please Note :

- Please use the original carton and all of the original packing materials. If you do not have the original packing materials, these are available from your Panasonic dealer. Please refer to your service dealer, or call 1-800-833-9626 (U. S. A. only) or your dealer.
- **Improper repacking of the scanner may result in a service charge to repair the unit.**
- The scanner should be handled in the correct (horizontal) position.

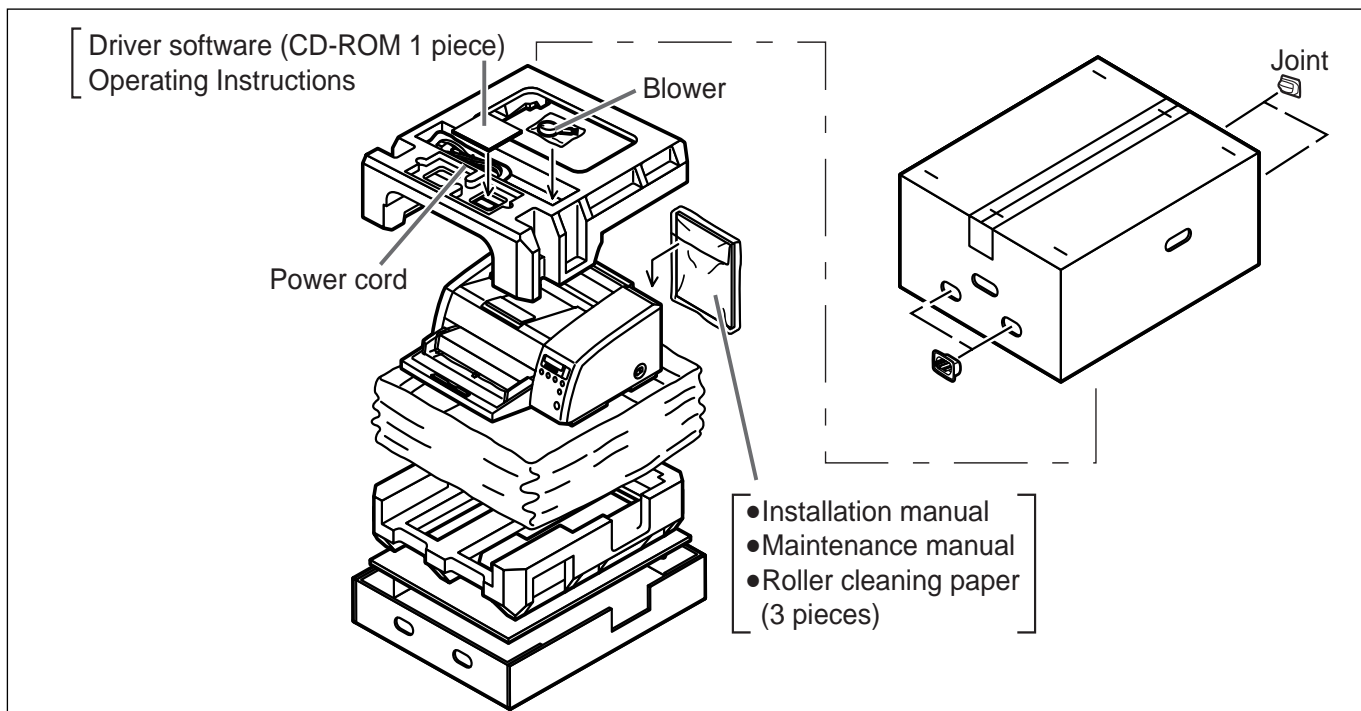
Materials Required :

- Original Scanner Carton & Packing Materials
- Shipping Tape and Scissors

- 1 Disconnect your scanner from the electrical outlet and the interface cable.
- 2 Fold the plastic part of the exit stopper and put the exit stopper into the exit extension tray. Slide the exit extension tray into the pre-imprinter door if it is pulled out.
- 3 Attach the screw, fixture and sheet for transportation.



- 4 Pack the scanner.



Specifications

Item		Model No.	KV-S2065L	KV-S2065W
Scanner	Scanning face		Duplex scanning	
	Scanning method		Front side : CIS (Contact Type Image Sensor) Back side : CIS (Contact Type Image Sensor)	
	Readout speed		Simplex scanning : Approx. 60 sheets/min. (Letter, fed lengthwise, 200 dpi) Duplex scanning : Approx. 55 sheets/min. (Letter, fed lengthwise, 200 dpi)	
	Resolution		Main scanning direction : 100 ~ 600dpi (1 dpi step) Sub-scanning direction : 100 ~ 600dpi (1 dpi step) (Same as main scanning direction) The optical resolution is 400 dpi.	
	Tonal gradation		Binary mode, Grayscale mode (4/8 bit), 64-step gradation (dither) mode, 64-step gradation (error diffusion) mode	
	Image control		Image emphasis, Dynamic threshold (DIMM module required), Automatic threshold, Automatic separation, Monochrome reversing, Automatic back control	
	Compression		MH, MR, MMR	
	Paper	Size	Scanning size : 48×70mm (1.9×2.75 in.) to 216×431mm (8.5×17 in.) Feeding size : 48×70mm (1.9×2.75 in.) to 305×838mm (12×33 in.)	Scanning size : 48×70mm (1.9×2.75 in.) to 298×431mm (11.7×17 in.) Feeding size : 48×70mm (1.9×2.75 in.) to 305×838mm (12×33 in.)
		Thickness	Single paper feeding : 0.025 to 0.2mm (1.0 to 7.9 mils) Continuous paper feeding : 0.06 to 0.2mm (2.4 to 7.9 mils) Note : 1 mil=1/1000 in.	
		Weight	Single paper feeding : 20 to 157 g/m ² (5.3 to 42 lbs.) Continuous paper feeding : 50 to 157 g/m ² (13 to 42 lbs.)	
Interface		SCSI III (20 MB/sec.), 50 pin		
Unit	External dimensions (Width×Depth×Height)		495×575×246mm (19.5×22.6×9.7 in.)	
	Mass (Weight)		19kg (41.8 lbs.)	
	Power requirement		AC100 - 120V, 50/60Hz	AC220 - 240V, 50/60Hz
	Power consumption	Maximum (Scanning)	1.3A (AC100 - 120V)	0.8A (AC220 - 240V)
		Minimum (Standby)	0.5A (AC100 - 120V)	0.3A (AC220 - 240V)
Sleep mode		0.13A (AC100 - 120V)	0.07A (AC220 - 240V)	

"Weight in pounds" of paper represents the weight of 500 [17×22 inches (432×559mm)] sheets.

Specifications

		Model No.	KV-S2065L	KV-S2065W
Operating Environment	Operating temperature and humidity		15°C to 30°C (59°F to 86°F), 30% to 80%RH	
Storage Environment	Storage temperature and humidity		0°C to 35°C (32°F to 95°F), 10% to 80%RH	
Option	Roller exchange kit (KV-SS009), Imprinter option (KV-SS010), Roller cleaning paper (KV-SS03), Ink cartridge (KV-SS06), White roller kit for KV-S2065W (KV-SS048), White roller kit for KV-S2065L (KV-SS071)			

Troubleshooting

If a problem occurs while the unit is being used, first check the following items. If the unit still malfunctions, turn it OFF, unplug the power cord and call for service.

Symptom	Possible Cause	Remedy
The LCD does not display when the power switch is turned ON.	The power cord is not plugged in.	Insert the power plug firmly.
	A fuse has blown.	Pull out the power plug, then call for service.
	Foreign matter is lodged in the fan, preventing it from rotating.	
A double feeding problem occurs.	The rollers are dirty.	Clean all of the rollers. (See page 36 through 38 .)
	The ADF / manual feed selector is not set properly.	Adjust the ADF / manual feed selector. (See page 33 .)
	Retard Roller is not installed correctly.	
The document stops during scanning.	The document is creased or torn, or longer than A3 size or smaller than 48×70mm (1.9×2.75 in).	Make a copy of the document on paper of the specified size [between 48×70mm (1.9×2.75 in.) and A3 size] and scan the copy.
	The document is jammed.	Refer to the next page when an error is displayed. (See pages 50 and 51 .)
The document is not fed smoothly during scanning.	The rollers are dirty.	Clean all of the rollers. (See page 36 through 39 .)
The scanned document is blank.	The document to be scanned was loaded face down (upside down).	Load the document correctly.
The scanned document is skewed.	The document guides were not touching the edges of the document, or the document was skewed when loaded.	Set the document guides or the document correctly.
Vertical lines appear on the scanned document.	The sensor rollers, scanning section glass or the rubber rollers are dirty.	Wipe the dirty parts with a clean cloth. (See page 36 through 39 .)
The computer does not recognize the scanner. The scanner does not operate correctly.	The computer cannot recognize the scanner.	Turn the computer OFF. Turn the scanner ON, and then turn the computer ON again.
		Confirm the SCSI ID, product ID and terminator, and then set them correctly.
		Use a shielded cable which is as short as possible. Reduce the SCSI transfer rate, and then proceed. (See page 27 .)
The scanned document is faint.	The sensor rollers are dirty.	Clean the sensor rollers. (See pages 38 through 39 .)
The double feed detection sensor is not operating.	There is dust from the paper on the double feed detection sensor.	Please clean the double feed detection sensor with the included blower. (Refer to page 39 .)

Troubleshooting

LCD	Possible Cause	Remedy
Warning Clean Roller	The rollers are dirty.	Clean the rollers. (See page 36 through 38 .)
Warning Replace Roller	The rollers need to be replaced.	Replace the paper feed roller module and retard roller module. (See page 41 through 45 .)
Warning Dbl. Feed Occured	Multiple sheets were fed into the unit.	Open the front door and remove the jammed paper. (See page 35 .)
U11 JAM	The document is jammed.	Open the front door and remove the jammed paper. (See page 35 .)
U12 JAM	The document is jammed.	Open the front door and remove the jammed paper. (See page 35 .)
U13 JAM	The document is jammed.	Open the front door and remove the jammed paper. (See page 35 .)
U14 JAM	The document is jammed.	Open the front door and remove the jammed paper. (See page 35 .)
U15 JAM	The document is jammed.	Open the front door and remove the jammed paper. (See page 35 .)
U16 JAM	The document is jammed.	Open the front door and remove the jammed paper. (See page 35 .)
U17 JAM	The document is jammed.	Open the front door and remove the jammed paper. (See page 35 .)
U18 Remaind Doc.	A document remains in the scanner.	Open the front door and remove all of the remaining documents.
	Dust adheres to the document sensors.	Clean a dust using the included blower. (See page 39 .)
U23 Double Feed	Multiple sheets were fed into the unit.	Open the front door and remove the jammed paper. (See page 35 .)
U30 Front Door	The front door is open.	Close the front door.

LCD	Possible Cause	Remedy																																																												
<table border="1" style="width: 100%; border-collapse: collapse;"> <tr> <td style="text-align: center;">U</td><td style="text-align: center;">3</td><td style="text-align: center;">2</td><td style="text-align: center;">B</td><td style="text-align: center;">a</td><td style="text-align: center;">c</td><td style="text-align: center;">k</td><td style="text-align: center;">D</td><td style="text-align: center;">o</td><td style="text-align: center;">o</td><td style="text-align: center;">r</td><td style="text-align: center;"></td><td style="text-align: center;"></td><td style="text-align: center;"></td><td style="text-align: center;"></td> </tr> <tr> <td style="text-align: center;"></td><td style="text-align: center;"></td><td style="text-align: center;"></td><td style="text-align: center;"></td><td style="text-align: center;"></td><td style="text-align: center;"></td><td style="text-align: center;"></td><td style="text-align: center;">x</td><td style="text-align: center;">x</td><td style="text-align: center;">x</td><td style="text-align: center;">x</td><td style="text-align: center;">x</td><td style="text-align: center;">x</td><td style="text-align: center;">x</td><td style="text-align: center;">x</td> </tr> </table>	U	3	2	B	a	c	k	D	o	o	r												x	x	x	x	x	x	x	x	The post-imprinter (back) door is open.	Close the post-imprinter door.																														
U	3	2	B	a	c	k	D	o	o	r																																																				
							x	x	x	x	x	x	x	x																																																
<table border="1" style="width: 100%; border-collapse: collapse;"> <tr> <td style="text-align: center;">U</td><td style="text-align: center;">3</td><td style="text-align: center;">4</td><td style="text-align: center;">T</td><td style="text-align: center;">o</td><td style="text-align: center;">p</td><td style="text-align: center;">D</td><td style="text-align: center;">o</td><td style="text-align: center;">o</td><td style="text-align: center;">r</td><td style="text-align: center;"></td><td style="text-align: center;"></td><td style="text-align: center;"></td><td style="text-align: center;"></td><td style="text-align: center;"></td> </tr> <tr> <td style="text-align: center;"></td><td style="text-align: center;"></td><td style="text-align: center;"></td><td style="text-align: center;"></td><td style="text-align: center;"></td><td style="text-align: center;"></td><td style="text-align: center;">x</td><td style="text-align: center;">x</td><td style="text-align: center;">x</td><td style="text-align: center;">x</td><td style="text-align: center;">x</td><td style="text-align: center;">x</td><td style="text-align: center;">x</td><td style="text-align: center;">x</td><td style="text-align: center;">x</td> </tr> </table>	U	3	4	T	o	p	D	o	o	r												x	x	x	x	x	x	x	x	x	The pre-imprinter (top) door is open.	Close the pre-imprinter door.																														
U	3	4	T	o	p	D	o	o	r																																																					
						x	x	x	x	x	x	x	x	x																																																
<table border="1" style="width: 100%; border-collapse: collapse;"> <tr> <td style="text-align: center;">H</td><td style="text-align: center;">x</td><td style="text-align: center;">x</td><td style="text-align: center;">C</td><td style="text-align: center;">a</td><td style="text-align: center;">l</td><td style="text-align: center;">l</td><td style="text-align: center;">S</td><td style="text-align: center;">e</td><td style="text-align: center;">r</td><td style="text-align: center;">v</td><td style="text-align: center;">i</td><td style="text-align: center;">c</td><td style="text-align: center;">e</td><td style="text-align: center;"></td> </tr> <tr> <td style="text-align: center;"></td><td style="text-align: center;"></td><td style="text-align: center;"></td><td style="text-align: center;"></td><td style="text-align: center;"></td><td style="text-align: center;"></td><td style="text-align: center;"></td><td style="text-align: center;">x</td><td style="text-align: center;">x</td><td style="text-align: center;">x</td><td style="text-align: center;">x</td><td style="text-align: center;">x</td><td style="text-align: center;">x</td><td style="text-align: center;">x</td><td style="text-align: center;">x</td> </tr> </table> <table border="1" style="width: 100%; border-collapse: collapse;"> <tr> <td style="text-align: center;">F</td><td style="text-align: center;">x</td><td style="text-align: center;">x</td><td style="text-align: center;">C</td><td style="text-align: center;">a</td><td style="text-align: center;">l</td><td style="text-align: center;">l</td><td style="text-align: center;">S</td><td style="text-align: center;">e</td><td style="text-align: center;">r</td><td style="text-align: center;">v</td><td style="text-align: center;">i</td><td style="text-align: center;">c</td><td style="text-align: center;">e</td><td style="text-align: center;"></td> </tr> <tr> <td style="text-align: center;"></td><td style="text-align: center;"></td><td style="text-align: center;"></td><td style="text-align: center;"></td><td style="text-align: center;"></td><td style="text-align: center;"></td><td style="text-align: center;"></td><td style="text-align: center;">x</td><td style="text-align: center;">x</td><td style="text-align: center;">x</td><td style="text-align: center;">x</td><td style="text-align: center;">x</td><td style="text-align: center;">x</td><td style="text-align: center;">x</td><td style="text-align: center;">x</td> </tr> </table>	H	x	x	C	a	l	l	S	e	r	v	i	c	e									x	x	x	x	x	x	x	x	F	x	x	C	a	l	l	S	e	r	v	i	c	e									x	x	x	x	x	x	x	x	A user non-serviceable error has occurred.	Please consult with a service representative. Call tech support service.
H	x	x	C	a	l	l	S	e	r	v	i	c	e																																																	
							x	x	x	x	x	x	x	x																																																
F	x	x	C	a	l	l	S	e	r	v	i	c	e																																																	
							x	x	x	x	x	x	x	x																																																
<table border="1" style="width: 100%; border-collapse: collapse;"> <tr> <td style="text-align: center;">U</td><td style="text-align: center;">5</td><td style="text-align: center;">0</td><td style="text-align: center;">N</td><td style="text-align: center;">o</td><td style="text-align: center;">I</td><td style="text-align: center;">/</td><td style="text-align: center;">F</td><td style="text-align: center;">B</td><td style="text-align: center;">o</td><td style="text-align: center;">a</td><td style="text-align: center;">r</td><td style="text-align: center;">d</td><td style="text-align: center;"></td><td style="text-align: center;"></td> </tr> <tr> <td style="text-align: center;"></td><td style="text-align: center;"></td><td style="text-align: center;"></td><td style="text-align: center;"></td><td style="text-align: center;"></td><td style="text-align: center;"></td><td style="text-align: center;"></td><td style="text-align: center;">x</td><td style="text-align: center;">x</td><td style="text-align: center;">x</td><td style="text-align: center;">x</td><td style="text-align: center;">x</td><td style="text-align: center;">x</td><td style="text-align: center;">x</td><td style="text-align: center;">x</td> </tr> </table>	U	5	0	N	o	I	/	F	B	o	a	r	d										x	x	x	x	x	x	x	x	An interface board has not been installed.	Reinstall scanner's interface board.																														
U	5	0	N	o	I	/	F	B	o	a	r	d																																																		
							x	x	x	x	x	x	x	x																																																

Index

	Page		Page
A		E	
AC inlet	12	Error diffusion	20, 21
ADF / manual feed selector	12, 33	Exit document guide	12, 31
B		Exit extension tray	12
Back side brightness	15, 21	Exit stopper	12, 32
Back side contrast	15, 21	Exit substopper	12, 32
Back side dropout color	15, 21	F	
Back side halftone	15, 21	Fan exhaust vent	12
Back side image emphasis	15, 21	Fill indicator	31
Bayer dither 16	20, 21	Front door release	12, 36
Bayer dither 64	20, 21	Front side brightness	15, 20
Binary	20, 21	Front side contrast	15, 20
Black line removal	15, 22	Front side dropout color	15, 20
Blower	39	Front side halftone	15, 20
C		Front side image emphasis	15, 20
Carbon or carbonless paper	32	H	
Checking the roller cleaning warning	18, 28	Halftone dot 32	20, 21
Checking the roller modules		Halftone dot 64	20, 21
replacement warning	18, 28	High	20, 21
Checking the version	18, 27	HOME	13
Clear the user counter	16, 24	Hopper	12, 31
Clearing the roller cleaning warning	18, 28	Hopper extension tray	12
Clearing the roller modules		Host	20, 21
replacement warning	18, 28	I	
Connector	12	IMPRINT	13
Conveyor	43	Imprinter setting menu	25
COUNTER	13, 19	L	
Counter setting menu	24	Landscape	31
D		LCD (Liquid Crystal Display)	13
Default	16, 23	Load scanning setting	16, 23
Detect	22	Low	20, 21
Display panel	12, 13	M	
Document guide	12, 30	Medium	20, 21
Document sensor	39	Menu	13, 19
Double feed detection	15, 22		
Dynamic threshold	47		

	Page
N	
Noise reduction	15, 21
None	20, 21
Norm	20, 21
Normal	23
Not detect	22

O	
Operating environment	48

P	
Paper feed roller block	41
Paper feed roller module	41
Paper path selector	12, 33
Portrait	31
Post-imprinter door	12
Power consumption	47
Power cord	12
Power requirement	47
Power switch	12
Pre-imprinter door	12

R	
Readout speed	47
Retard roller module	41
Roller cleaning paper	37, 40

S	
Save scanning settings	16, 23
SCAN	13, 19
Scanning face	47
Scanning method	47
Scanning section glass	36, 38
Select the counter displayed	
on the LCD	16, 24
Sensor rollers	36, 38
Setting the buzzer	18, 22
Setting the language	14
Setting the post-imprinter data	17, 26
Setting the post-imprinter position	17, 26
Setting the pre-imprinter data	17, 25

Setting the pre-imprinter position	17, 25
Setting the product ID	18, 28
Setting the SCSI ID	18, 27
Setting the terminator	18, 27
Setting the user counter	16, 24
Setting the user counter extender	16, 24
Smooth	20, 21

U	
User counter	24

W	
White roller kit	48

Panasonic Digital Imaging Solution Company
A Unit of Matsushita Electric Corporation of America

Two Panasonic Way, Secaucus, New Jersey 07094

Panasonic Canada Inc.

5770 Ambler Drive, Mississauga, Ontario, L4W 2T3

Matsushita Electric Industrial Co., Ltd.

Central P. O. BOX 288, Osaka 530-91, Japan