

User Guide | Guide de l'utilisateur | Guía del Usuario



14" and 20" Flat Panel TV
TV à écran plat de 14 et 20 po | TV de panel plano de 14" y 20"

NS-14FTV/20FTV

Welcome


Congratulations on your purchase of a high-quality Insignia product. Your NS-14FTV or NS-20FTV color TV represents the state of the art in color television design, and is designed for reliable and trouble-free performance.

Contents

Safety information	1
Features	4
Setting up your TV	11
Using your TV	14
Specifications	20
Troubleshooting	22
Maintenance	23
Legal notices	23
Français	24
Español	49


Safety information

- Warning**




Risk of electric shock. Do not open. Do not attempt to service your TV yourself because opening or removing covers may expose you to dangerous electrical voltage or other hazards. Refer all servicing to qualified service personnel.

Warning




To reduce the risk of fire or electric shock, do not expose your TV to rain or moisture. Do not expose your TV to dripping or splashing liquids. Do not set objects filled with liquids, such as vases, on your TV.

Warning




To avoid fire, do not place an open flame source, such as a lighted candle, on your TV.

Warning



Leave at least 4.0 inches (10 cm) space around your TV for sufficient ventilation.
Do not block the ventilation openings with items, such as newspapers, tablecloths, curtains, or similar items.

Warning



In case of smoke, strange noises, or strange smells from your TV, turn it off, unplug it from the wall outlet, and contact your dealer or service center.

Read instructions

Read all safety and operating instructions before operating your TV.

Retain instructions

Keep the safety and operating instructions for future reference.

Heed warnings

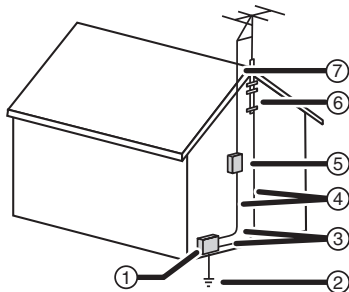
Follow to all warnings on your TV and in the operating instructions.

Follow instructions

Follow all operating and use instructions.

Outdoor antenna grounding

If an outside antenna or cable system is connected to TV, make sure that the antenna or cable system is grounded to provide some protection against voltage surges and built-up static charges. Section 810 of the National Electrical Code (NEC), ANSI/NFPA 70, provides information with respect to correct grounding of the mast and supporting structure, grounding of the lead-in wire to an antenna discharge unit, size of grounding conductors, location of antenna discharge unit, connection to grounding electrodes, and requirements for the grounding electrode.



1	Electric service equipment
2	Power service grounding electrode system
3	Ground clamps
4	Grounding conductors
5	Antenna discharge unit
6	Grounding clamp
7	Antenna lead in wire

Cleaning

Unplug your TV from the wall outlet before cleaning. Do not use liquid cleaners or aerosol cleaners. Use a damp cloth for cleaning the exterior cabinet only.

Lightning

To protect your TV from a lightning storm, or when it is left unattended and unused for long periods of time, unplug it from the wall outlet and disconnect the antenna or cable system. This will prevent damage to your TV from lightning and power line surges.

Power cord protection

Route power supply cords so they are not likely to be walked on or pinched by items placed on or against them. Pay particular attention to cords at plugs, wall outlets, and the points where they exit from your TV.

Water and moisture

Do not use your TV near water (for example, near a bathtub, washbowl, kitchen sink, laundry tub, in a wet basement, or near a swimming pool).

Ventilation

Slots and openings in the cabinet back or bottom are provided for ventilation, to ensure reliable operation of your TV, and to protect it from overheating. These openings must not be blocked or covered. Do not place your TV on a bed, sofa, rug, or other similar surface. Do not place your TV near or over a radiator or heat source. Do not place your TV in a built-in installation, such as a bookcase or rack, unless you provide correct ventilation or follow the manufacturer's instructions.

Power source

Operate your TV only from the type of power source indicated on the rating plate. If you are not sure of the type of power supply to your home, consult your TV dealer or local power company.

Moving your TV

If you move your TV from a cold place to a warmer place, wait until the condensation inside the TV has evaporated completely before you turn it on.

Sunlight

Position your TV so the screen is not exposed to direct sunlight.

Viewing environment

Use soft, indirect lighting while watching your TV. A completely dark environment and reflection from the screen may cause eye fatigue.

Magnetic interference

Keep your TV away from high magnetic fields, such as powered speakers, to avoid affecting the tint.

Maintenance

Use an isolated power transformer during maintenance because your TV chassis may be electrified.

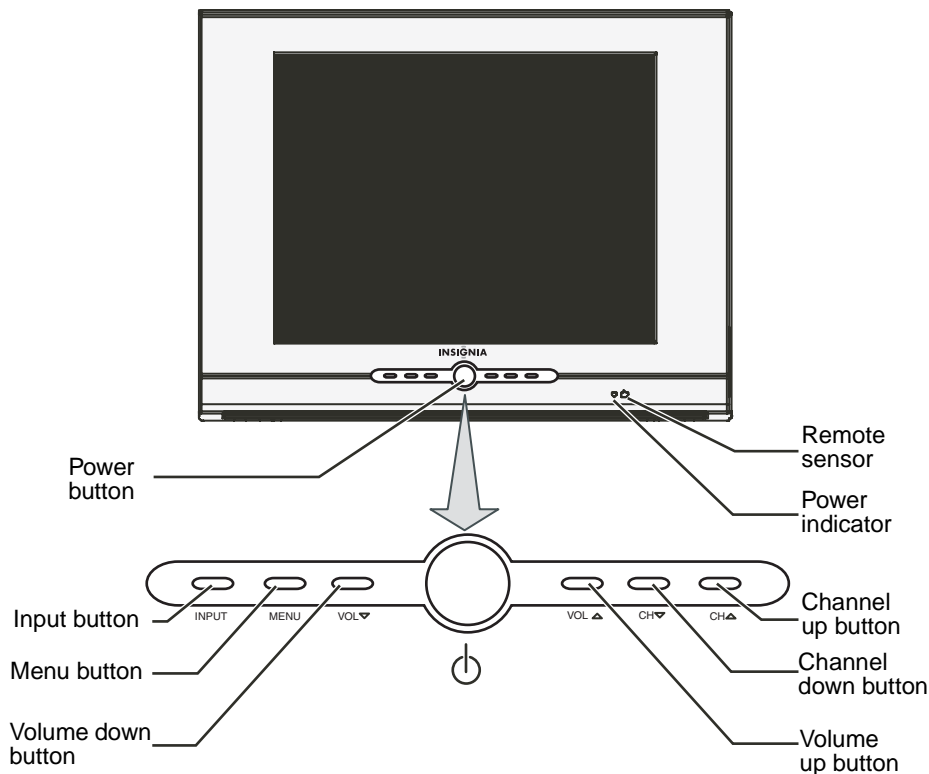
Note to cable system TV installer

This reminder is provided to call the cable TV system installer's attention to Article 820-40 of the NEC that provides guidelines for correct grounding and, in particular, specifies that the cable ground shall be connected to the grounding system of the building, as close to the point of cable entry as practical.

Features

Front

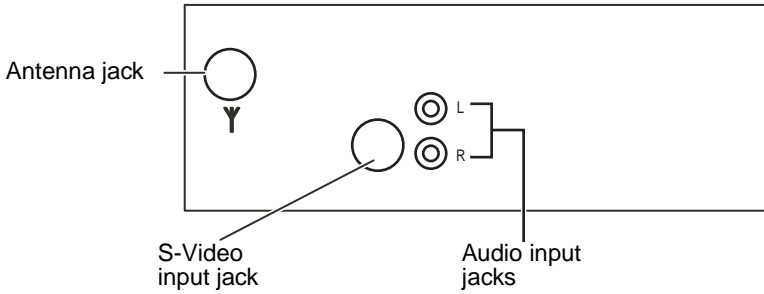
The location of features may vary depending on your TV model.



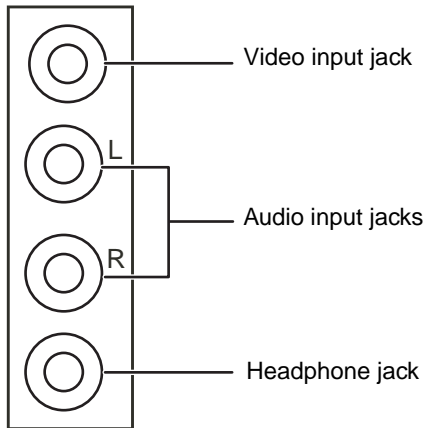
Feature	Description
Power button	Press to turn your TV on or off.
Power indicator	Turns red when your TV is in Standby mode.
Remote control sensor	Receives signals from the remote control. Do not block.
INPUT button	Press to select the video input.
MENU button	Press to open the TV on-screen display (OSD).
VOL ▽ button	Press to decrease the volume.
VOL △ button	Press to increase the volume.
CH ▽ button	Press to change to a channel with a lower number.
CH △ button	Press to change to a channel with a higher number.

Back

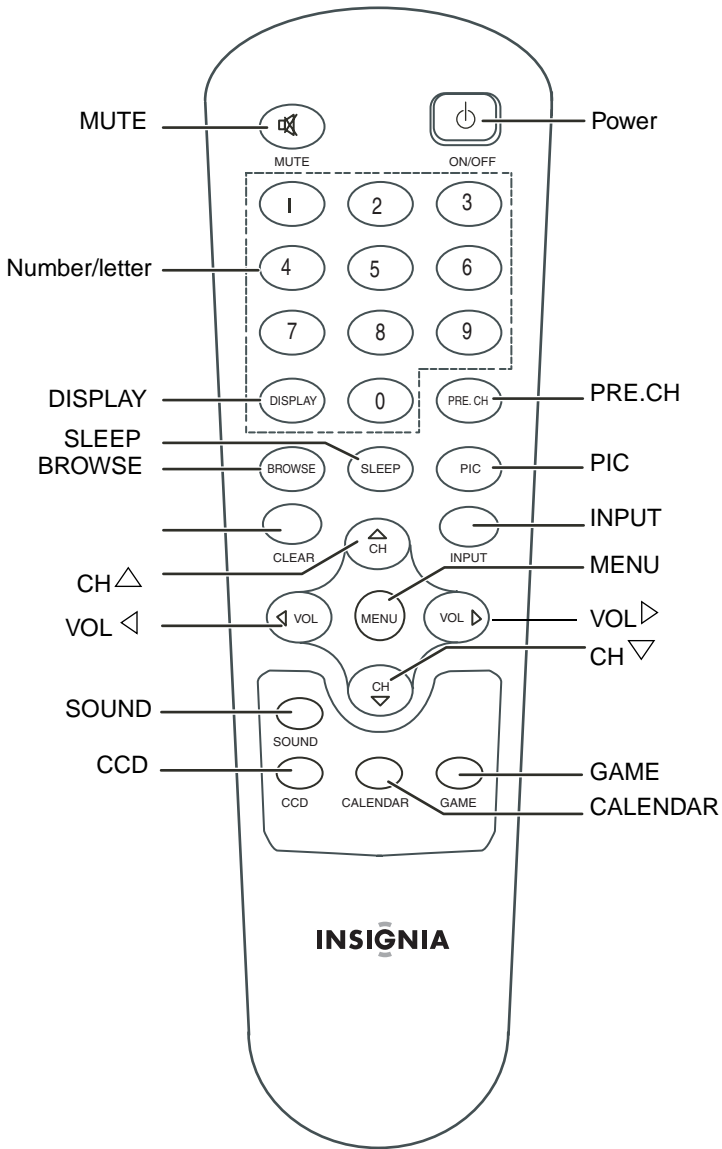
The type and location of jacks may vary depending on your TV model. For more information, see "Specifications".

**Side**

The location of the jacks may vary depending on your TV model.



INPUTRemote



Button	Description
MUTE	Press to mute the sound.
Number/letter	Press to enter channel numbers and date settings directly through the remote control. To enter a two-digit channel, press the two digits. To enter a three-digit channel, press and hold the first digit for two seconds until two dashes appear to the right of the number, then press the second and third numbers. For example, to tune channel 123, press and hold 1 for two seconds, press 2, then press 3.
DISPLAY	Press to display channel information.
SLEEP	Press to access sleep timer settings.
BROWSE	Press twice to start scanning channels. Press again to stop the scan and select the current channel.
CLEAR	Press to remove any menu or display from the screen and return to TV viewing. If you are in an OSD menu that has numeric entries, press to clear the last number you entered.
CH \triangle	When you are watching your TV, press to tune to a higher-numbered TV channel. When you are using the OSD, press to select a menu or menu option.
\triangleleft VOL	When you are watching your TV, press to decrease the volume. When you are using the OSD, press to scroll down through menu options.
SOUND	For models with AV STEREO or BTSC only. Press to select one of the preset audio modes. You can select STANDARD, NEWS, MUSIC, or MEMORY. You can set up your own sound mode preferences and save them under the MEMORY sound mode.
CCD	Press to turn closed captioning on or off.
Power/Standby	Press to turn your TV on and off. If your TV is in Standby (power saving) mode, press to exit Standby mode.

Button	Description
PRE.CH	If you are watching your TV, press to return to the previous channel you were watching. If you are using the OSD, press to return to the previously displayed menu.
PIC	Press one or more times to select one of the preset picture modes. You can select STANDARD, DYNAMIC, MILD, or MEMORY. You can set up your own picture mode preferences and save them under the MEMORY picture mode.
INPUT	Press to select the video input signal.
MENU	Press to open the on-screen display (OSD).
VOL▶	When you are watching your TV, press to increase the volume. When you are using the OSD, press to scroll up through menu options.
CH▼	When you are watching your TV, press to tune to a lower-numbered TV channel. When you are using the OSD, press to select a menu or menu option.
GAME	Press to play the pre-loaded game.
CALENDAR	Press to access date settings.

Installing remote control batteries

Warning

Do not throw the batteries into fire. Dispose of used batteries as hazardous waste.

Caution

Do not drop or disassemble the remote control. Do not get the remote control wet.

To install batteries in the remote control:

- 1 Remove the battery cover.
- 2 Insert two AAA batteries into the battery compartment. Make sure that the +/– symbols on the battery match the +/– marks inside the battery compartment.
- 3 Replace the battery cover.

Note

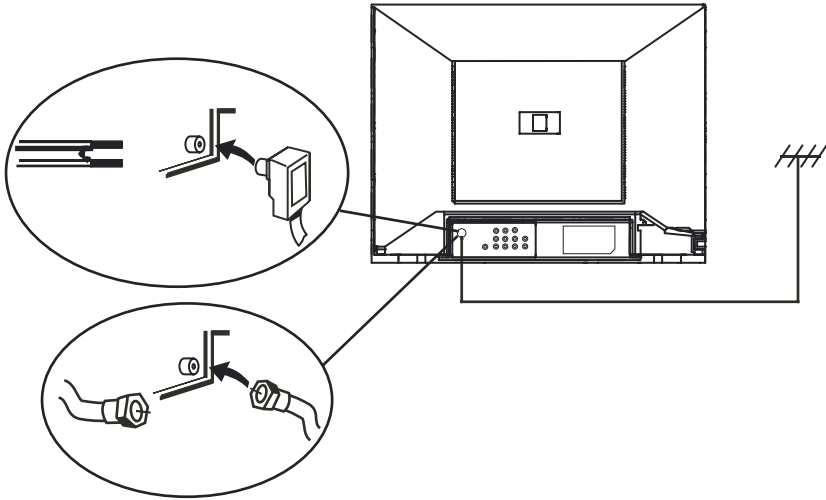
When the remote control will not be used for a long period of time or when the batteries are worn out, remove the batteries to prevent leakage.

Setting up your TV

Connecting cable TV or a VHF/UHF external antenna

Caution


Do not bind the antenna cable and the power cord together.



To connect cable TV or a VHF/UHF external antenna:

- 1 Connect a 75 Ohm cable to the antenna jack on the back of your TV.
- 2 Connect the other end of the 75 Ohm cable to cable TV or an external VHF/UHF TV antenna.

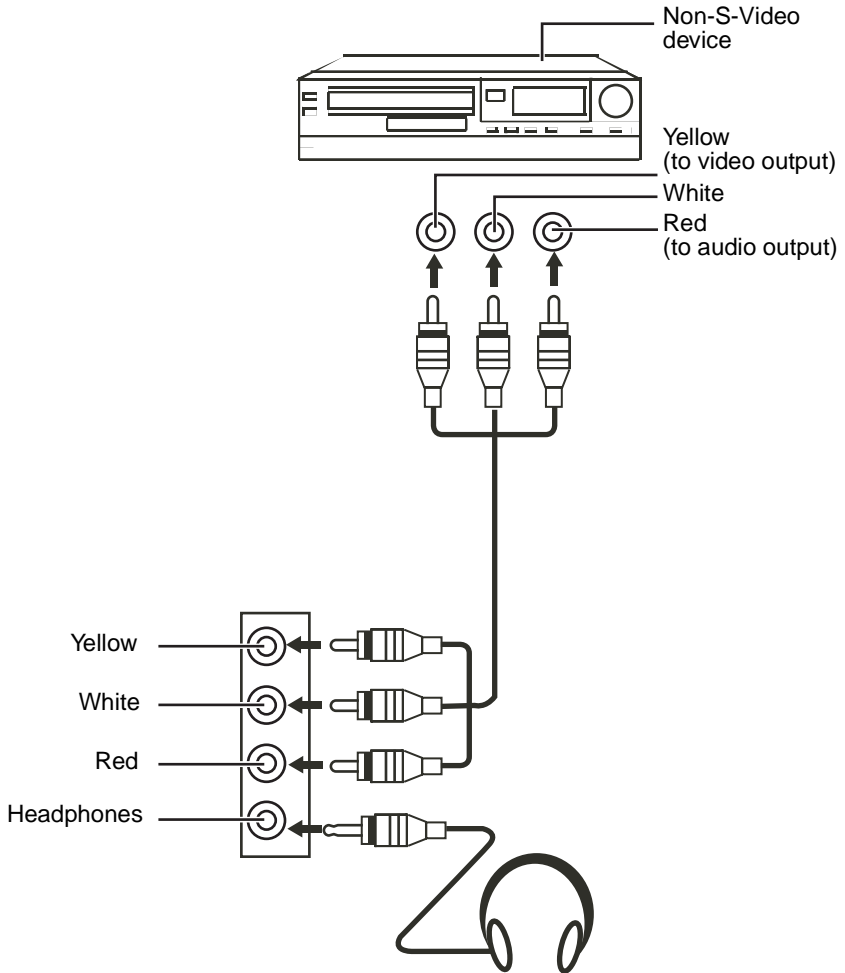
Note

If you use a 300 flat feeder, you need to connect a 300/75 Ohm converter to the 300 flat feeder, then connect the converter to your TV antenna jack.

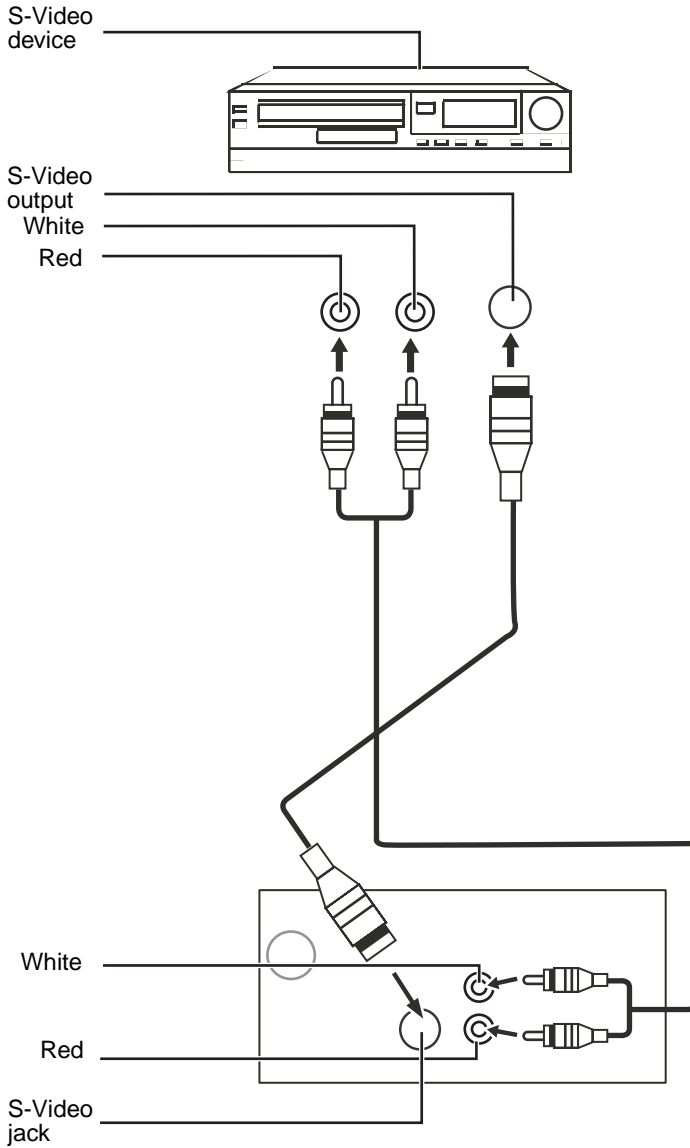
We recommend using a 75 Ohm cable to reduce interference caused by radio waves.

Connecting a standard video device

If your model has audio jacks on the side, use the following illustration to connect a standard video device to the side jacks.



Connection an S-Video device



Using your TV

Turning your TV on and off

To turn your TV on and off:

- 1 Plug the power cord into an electrical outlet.
- 2 Press the **Power** button on your remote control.

Note

The power indicator turns off when your TV is active.
The power indicator turns red when the your TV is in Standby mode. When your TV has a blue screen or is tuned to a channel that does not have a signal, your TV goes into Standby mode after five minutes.

Changing TV channels

To change TV channels:

- Press the **CH**△ or **CH**▽ button on your remote control or TV.

To enter channel numbers and date settings directly:

- To enter a two-digit channel number, press the two numbers.
- To enter a three-digit channel number, press and hold the first number for two seconds until two dashes appear to the right of the number, then press the second and third numbers. For example, to tune channel 123, press and hold 1 for two seconds, press 2, then press 3.

Adjusting the volume

To adjust the volume:

- Press the **VOL**▷ or **VOL**◁ button on your remote control or press the **VOL**△ or **VOL**▽ button on your TV.

Setting the sleep timer

To set the sleep timer:

- 1 Press the **SLEEP** button on your remote control one or more times to select the amount of time you want the TV to wait before automatically turning off. You can select 30 minutes, 60 minutes, 90 minutes, or 120 minutes.
- 2 To cancel the **SLEEP** timer, press the **SLEEP** button one or more times until **SLEEP OFF** appears.

Selecting the picture mode

To select the picture mode:

- Press the **PRE.CH** button on your remote control one or more times to select the picture mode. You can select STANDARD, DYNAMIC, MILD, or MEMORY. You can set up your own picture mode preferences and save them under the MEMORY picture mode.

Selecting the sound mode

To select the sound mode:

- Press the **SOUND** button on your remote control one or more times to select the sound mode. You can select STANDARD, NEWS, MUSIC, and MEMORY. You can set up your own sound mode preferences and save them under the MEMORY sound mode.

Setting the date

To set the date:

- 1 Press the **CALENDAR** button on your remote control.
- 2 Press the **CH** \triangle or **CH** ∇ button on your remote control or TV to move between the year, month, and day entries.
- 3 Press the **VOL** \triangleright or **VOL** \triangleleft button on your remote control or the **VOL** \triangle or **VOL** ∇ button on your TV to adjust the entry you selected.
- 4 After you have set the date, press the **CALENDAR** button on your remote control to save your changes and close the on-screen calendar.

Setting up parental controls

To set up parental controls:

- 1 Open the OSD, select the FUNCTION menu, then select the V-CHIP option. For more information, see "Using the on-screen display (OSD)".
- 2 Press the **VOL** ∇ button on your TV or the **VOL** \triangleright button on your remote control.
- 3 Enter your four-digit password. The default password is 0358.

- 4 Press the **VOL** ◀ or **VOL** ▶ button on your remote control to select the MPAA (movie) rating you want to block. The rating you selected and all other ratings higher than the rating you selected are blocked.

You can select:

- N/A—No rating.
- G—General. Appropriate for all children.
- PG—Parental guidance suggested.
- PG13—Parental guidance. Content not appropriate for children under 13 years of age.
- R—Restricted. Content not appropriate for children under 17 years of age without parental supervision.
- NC-17—Content not appropriate for children under 17 years of age.
- X—Adults only.

- 5 Press the **VOL** ◀ or **VOL** ▶ button on your remote control to select the TVPG (TV program) rating you want to block. The rating you selected and all other ratings higher than the rating you selected are blocked.

You can select:

- TY7—All children
- TVY7—Children seven years of age and older
- TV-G—General audiences
- TV-PG—Parental guidance suggested
- TV-14—Parental guidance strongly suggested
- TV-MA—Mature audiences

- 6 Press the **VOL** ◀ or **VOL** ▶ button on your remote control to select CONTENT THEMES to block TV programs with certain types of content.

You can select:

- D—Sexually explicit dialog
- FV—Fantasy violence
- L—Adult language
- S—Sexual situations
- V—Violence

Tip

To return to a previous menu, select ↶.

Playing the built-in game

Your TV has a built-in game that has a game board divided into squares. You and your TV take turns placing black and white game pieces on the squares. If one color piece is surrounded by pieces of the other color, the surrounded piece is removed. When one player gets all the pieces or fills all the eyes, the game is over. The player with the most pieces wins.

To play the built-in game:

- 1 Press the **GAME** button on your remote control.
- 2 Press the **CH** \triangle or **CH** ∇ button on your remote control to move up or down, or press the **VOL** \triangleright or **VOL** \triangleleft button on your remote control to move right or left.
- 3 Press the **MENU** button on your remote control when you have your game piece in the square you want.
- 4 Press the **GAME** button again to close the game.

Using the on-screen display (OSD)

Your TV has an on-screen display (OSD) that you use to adjust your TV settings.

To use the OSD:

- 1 Press the **MENU** button on your remote control or TV to open the OSD.
- 2 Press the **MENU** button again to select a menu.
- 3 Press the **CH** \triangle or **CH** ∇ button on your remote control or TV to select an option.
- 4 Press the **VOL** \triangleright or **VOL** \triangleleft button on your remote control or the **VOL** \triangle or **VOL** ∇ button on your TV to change the option.
- 5 Press the **MENU** button on your remote control or TV one or more times to close the OSD.

OSD menus and options

Menu	Option
Picture	<p>CONTRAST—Increases the picture level to adjust the white areas of the picture. Decreases the picture level to adjust the black areas of the picture.</p> <p>BRIGHTNESS—Increases the brightness to add more light to dark areas of the picture. Decreases the brightness to add more dark to light areas of the picture.</p> <p>COLOR—Adjusts the overall color of the picture.</p> <p>SHARPNESS—Increases the sharpness level to show cleaner and clearer images. Decreases the level to show a smoother picture.</p> <p>TINT—Increases the color level to add more green to skin tones. Decreases the color level to add more red to skin tones.</p> <p>COLOR TEMP—Selects a preset color temperature. You can select NORMAL, WARM, or COLD.</p> <p>COMB FILTER—Turns the comb filter on or off. The comb filter isolates the brightness and color signal transmissions to improve the picture. This option is only available on some models.</p>
Sound	<p>VOLUME—Increases and decreases the volume.</p> <p>TREBLE—Adjusts the treble.</p> <p>BASS—Adjusts the bass.</p> <p>BALANCE—Adjusts the balance between the right and left speaker jacks.</p> <p>SURROUND—Turns surround sound on or off.</p>

Menu	Option
Tuning	<p>CHANNEL—Selects the TV channel. Press the volume buttons on the remote control or TV or use the number buttons to enter the channel number.</p> <p>DELETE CH—Deletes the TV channel listed in the CHANNEL option. If you select YES, the channel is deleted from the channel list. If you select NO, your TV changes to the channel listed in the CHANNEL option.</p> <p>SOURCE—Selects the source of the TV signal. Select AIR for a VHF/UHF antenna. Select CABLE for a cable TV connection.</p> <p>AUTO SEARCH—Scans the channels for available signals, then creates and stores a channel list.</p>
FUNCTION	<p>LANGUAGE—Changes the OSD language.</p> <p>SCREEN—Selects the screen background when the TV is on and not receiving a signal. You can select OFF, BLUE BACK, or SAVER.</p> <p>CHILD LOCK—Turns the parental locks off and on. When you select this option, you must enter a four-digit password. The default password is MUTE+999.</p> <p>CCD—Selects the closed captioning mode. You can select OFF, C1, C2, C3, C4, T1, T2, T3, or T4.</p> <p>V-CHIP—Sets up the V-Chip to block and unblock TV programs. For more information, see “Setting up parental controls”.</p>

Specifications

NS-14FTV

Receiving system	TV: NTSC AV: NTSC3.58 @ 60 Hz
Functions	Side/Front A/V S-Video Headphone CCD V-Chip Parental lock AV stereo
Sound output	1 W
Power supply	120 V AC
Remote control batteries	1.5 V (2)
Rated power consumption	70 W
Dimensions W × D × H	16.54 × 15.08 × 13.92 inches (42.01 × 38.3 × 35.36 cm)
Weight	24.25 lbs. (11.0 kg)

NS-20FTV

Receiving system	TV: NTSC AV: NTSC3.58 @ 60 Hz
Functions	Side/Front A/V S-Video Headphone CCD V-Chip Parental lock AV stereo
Sound output	2 W
Power supply	120 V AC
Remote control batteries	1.5 V (2)
Rated power consumption	75 W
Dimensions W x D x H	23.15 x 18.54 x 17.87 inches (58.8 x 47.09 x 45.39 cm)
Weight	52.25 lbs (23.7 kg)

Remote control

Transmission system	Infrared
Controlling range	27.9 ft. (8.5 m)
Batteries	AAA 1.5 V (2)
Controlling angle	30° horizontal
Dimensions W x H x D	2.1 x 6.8 x 1.0 inches (5.33 x 17.27 x 2.54 cm)
Weight	2.72 ounces (77.11 g)

Troubleshooting

Problem	Solution
Picture has snow and sound is not clear	Make sure that the outside antenna is connected correctly. Reposition the outside antenna.
Picture shows a double or triple image, but the sound is clear	The multiple image is called "ghosting." Connect your TV to an outside antenna. Make sure that you use good quality cables and terminations. Reposition the outside antenna.
Picture has lines (waves) and the sound is distorted	Electrical interference can be caused by cars and motorcycles. Electrical interference can also be caused by fluorescent lamps and other appliances. Try plugging your TV into a different electrical outlet, preferably an outlet on a different circuit.
No sound	Make sure that the volume is turned up and the mute control is turned off.
No picture and no sound	Make sure that the power cord is plugged into a working outlet. Make sure that the brightness and contrast level are not set too low.
Picture has no color	Adjust the color controls.
Picture is scrambled	Change the channel.
Picture has spots	Color can be affected by moving your TV, turning on appliances like a vacuum cleaner near your TV, or placing magnets too close to your TV. Turn off your TV using the Power button on the TV (not on the remote control). Leave your TV off for at least 15 minutes. If the picture still has spots, turn off your TV combo and leave it off overnight.

Maintenance

Unplug your TV from the wall outlet before cleaning.

Do not use liquid cleaners or aerosol cleaners.

Wipe the exterior with a soft cloth dampened with water. Do not spray water directly on the screen or exterior.

Legal notices

Copyright

© 2006 Insignia. Insignia and the Insignia logo are trademarks of Best Buy Enterprise Services, Inc. Other brands and product names are trademarks or registered trademarks of their respective holders. Specifications and features are subject to change without notice or obligation.

FCC Statement

FCC Notice

Class B digital device

This equipment has been tested and found to comply with the limits for a Class B digital device, pursuant to part 15 of the FCC Rules.

These limits are designed to provide reasonable protection against harmful interference when the equipment is operated in a residential environment. This equipment generates, uses, and can radiate radio frequency energy and, if not installed and used in accordance with the instructions in this manual, may cause harmful interference to radio communications.

Caution

Pursuant to 47CFR, Part 15.21 of the FCC rules, any changes or modifications to this device not expressly approved by the manufacturer could cause harmful interference and would void the user's authority to operate this device.

Caution

This is a CLASS B product. In a domestic environment this product may cause radio interference, in which case the user may be required to take adequate measures to counter interference.

Bienvenue

Félicitations pour avoir acheté ce produit Insignia de haute qualité. Les modèles NS-14FTV, NS-20FTV représentent la dernière avancée technologique dans la conception de téléviseurs couleur ; ils ont été conçus pour des performances et une fiabilité totale.

Table des matières

Information sur la sécurité	24
Caractéristiques	28
Configuration du téléviseur	35
Fonctionnement du téléviseur	38
Caractéristiques	44
Problèmes et solutions	46
Entretien	47
Avis juridiques	47

Informations sur la sécurité

Avertissement



Risque de choc électrique Ne pas ouvrir. L'utilisateur ne doit pas essayer de réparer cet appareil lui-même, en effet son ouverture ou le démontage des couvercles peut l'exposer à des tensions dangereuses et à d'autres dangers. Toutes les réparations doivent être réalisées par du personnel qualifié.

Avertissement



Afin de réduire le risque d'incendie et de choc électrique, ne pas exposer ce téléviseur à la pluie ou l'humidité. Ne pas exposer cet appareil aux gouttes d'eau ou aux éclaboussures. Ne pas placer d'objets tels qu'un vase rempli de liquide sur l'appareil.

Avertissement



Pour éviter un incendie, ne pas mettre une source de lumière telle qu'une chandelle allumée sur l'appareil.

Avertissement



Laisser un espace d'environ 4 po (10 cm) autour de l'appareil pour une bonne ventilation.

Ne pas bloquer les ouvertures de ventilation avec des articles tels que des journaux, des nappes, des rideaux ou autres produits similaires.

Avertissement



En cas de fumée, bruits ou odeurs étranges émanant de l'appareil, le mettre hors tension, le débrancher de la prise murale et contacter le détaillant ou le centre de réparation.

Lire les instructions

Lire toutes les instructions de sécurité et d'utilisation avant d'utiliser cet appareil.

Conserver les instructions

Conserver les instructions de sécurité et de fonctionnement pour toute référence ultérieure.

Respecter les avertissements

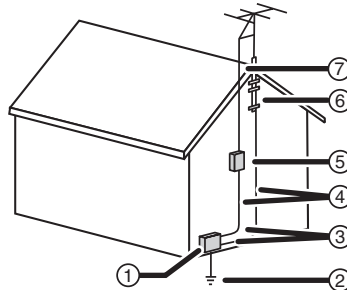
Respecter tous les avertissements sur cet appareil ainsi que dans les instructions d'utilisation.

Observer les instructions

Toutes les instructions d'utilisation et de fonctionnement doivent être observées.

Mise à la terre d'une antenne externe

Si cet appareil est connecté à une antenne extérieure ou à un réseau câblé, vérifier que l'antenne ou la connexion au réseau câblé est mis à la terre afin de bénéficier d'une certaine protection contre les sautes de tension et les charges électrostatiques. L'article 810 du Code national de l'électricité (CNE), ANSI/NFPA 70, fournit des informations relatives à la mise à la terre correcte du mât et du support, la mise à la terre du fil conducteur de l'antenne à l'unité de décharge de l'antenne, la taille des conducteurs de mise à la terre, l'emplacement de l'unité de décharge de l'antenne, la connexion aux conducteurs de terre ainsi que les normes en matière de prise de terre.



1	Équipement de la compagnie d'électricité
2	Système de mise à la terre des électrodes de la compagnie d'électricité
3	Serre-fils de mise à la terre
4	Conducteurs de mise à la terre
5	Unité de décharge de l'antenne

6	Serre-fil de mise à la terre
7	Fil conducteur de l'antenne

Nettoyage

Débrancher l'appareil de la prise murale avant tout nettoyage. Ne pas utiliser de nettoyeurs liquides ou en aérosol. Utiliser un chiffon humide uniquement pour le nettoyage du châssis extérieur.

Foudre

Pour protéger l'appareil pendant un orage ou s'il est inutilisé et sans surveillance pendant une durée prolongée, le débrancher de la prise murale et débrancher l'antenne ou la connexion au réseau câblé. Ceci évitera d'endommager l'appareil en cas de foudre et de variations de tension du secteur.

Protection du cordon d'alimentation

Les cordons d'alimentation électrique doivent être acheminés afin que personne ne puisse marcher dessus et qu'aucun objet posé dessus ne vienne les entraver. Prêter particulièrement attention aux points de branchement du cordon à la prise murale et à l'endroit d'où le cordon sort de l'appareil.

Eau et humidité

Ne pas utiliser cet appareil à proximité de l'eau, par exemple : baignoire, bac à linge, évier, cuve à lessive, dans un sous-sol humide ou à proximité d'une piscine.

Ventilation

Les fentes et ouvertures au dos et au bas du boîtier sont prévues pour la ventilation, afin d'assurer un fonctionnement fiable de l'appareil et de le protéger contre toute surchauffe. Ces ouvertures ne doivent être ni bloquées ni obstruées. Ne pas placer l'appareil sur un lit, un sofa, une moquette ou toute autre surface semblable. Ne pas placer l'appareil à proximité ou au-dessus d'un radiateur ou d'une source de chaleur. Ne pas installer l'appareil dans un meuble encastré tel qu'une bibliothèque ou sur une étagère, sauf si une ventilation adéquate a été prévue ou si les instructions du fabricant ont été respectées.

Source d'alimentation

Ne brancher cet appareil qu'à la source d'alimentation indiquée sur la plaque signalétique de l'appareil. En cas d'incertitude sur la tension d'alimentation électrique de la maison, consulter le revendeur ou la compagnie d'électricité.

Déplacement de l'appareil

Si l'appareil est déplacé d'un endroit froid vers un endroit chaud, attendre que la condensation intérieure se soit complètement dissipée avant de le mettre sous tension.

Lumière solaire

Positionner l'appareil afin que l'écran ne soit pas exposé directement à la lumière solaire.

Environnement de visionnement

Utiliser une lumière douce, indirecte pour regarder la télévision. Un environnement totalement sombre allié à la lumière de l'écran peut provoquer une fatigue oculaire.

Perturbations électromagnétiques

Conserver l'appareil à l'écart de champs magnétiques élevés tels que des haut-parleurs alimentées, afin d'éviter d'affecter l'image.

Entretien

Utiliser un transformateur d'alimentation isolé pendant l'entretien, sinon le boîtier de l'appareil peut être conducteur d'électricité.

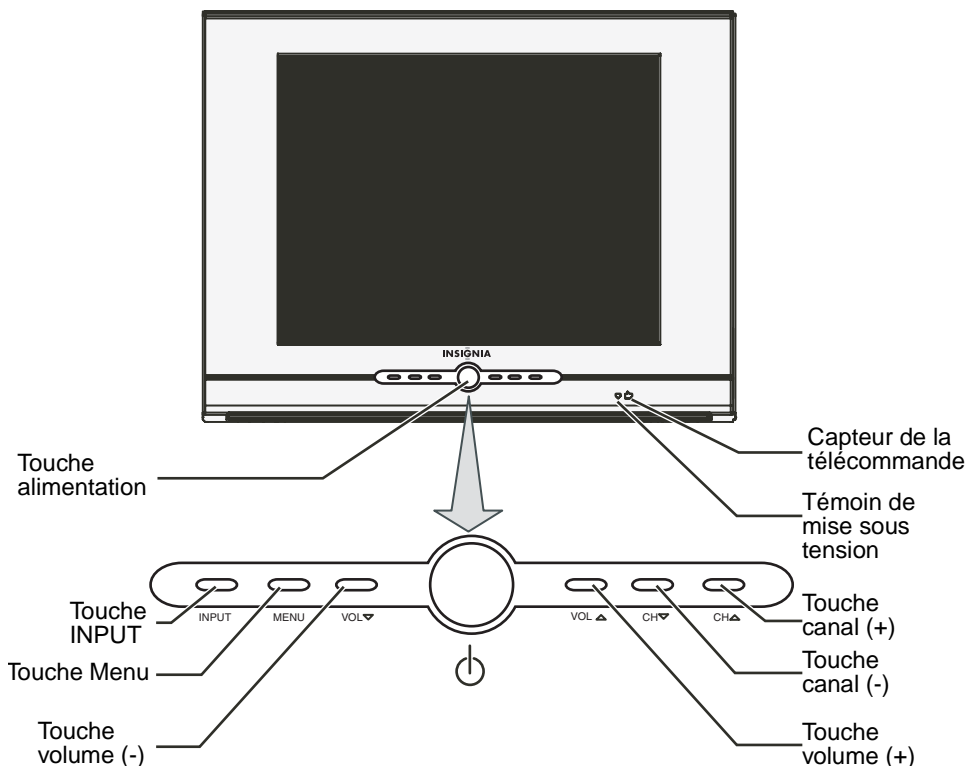
Avis à l'installateur de télévision par câble

Le présent avis a pour objet de rappeler à l'installateur de systèmes de télévision par câble que l'article 820-40 du Code national de l'électricité contient des recommandations relatives à la mise à la masse de l'appareil et, en particulier, stipule que la terre du câble doit être connectée au système de mise à la terre de l'immeuble, aussi prêt que possible du point d'entrée du câble.

Caractéristiques

Avant

L'emplacement des caractéristiques peut varier selon le modèle de l'appareil.

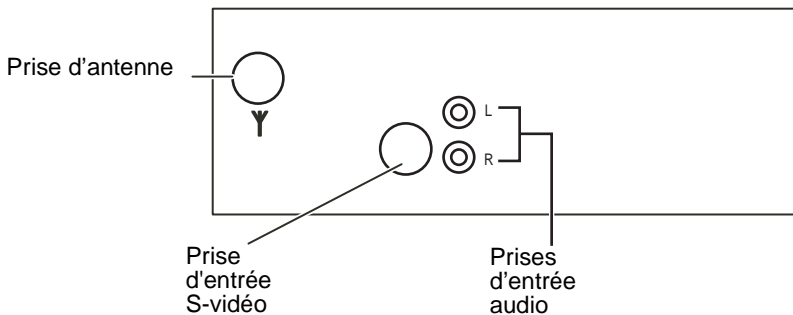


Caractéristiques	Description
Touche alimentation	Touche de mise sous ou hors tension du téléviseur.
Témoin de mise sous tension	Devient rouge quand l'appareil est en mode attente.
Capteur de télécommande	Reçoit les signaux de la télécommande. Ne pas obstruer la transmission des signaux.
Touche INPUT	Touche de sélection de la source d'entrée vidéo.

Caractéristiques	Description
Touche MENU	Touche d'accès aux menus d'écran (OSD).
Touche VOL ▽	Touche de diminution du volume sonore.
Touche VOL △	Touche d'augmentation du volume sonore.
Touche CH ▽	Touche de syntonisation à un canal inférieur.
Touche CH △	Touche de syntonisation à un canal supérieur.

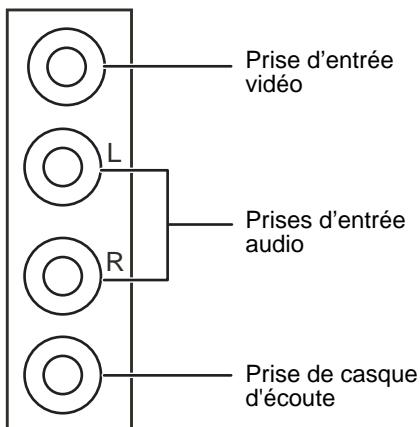
Arrière

Le type et l'emplacement des prises peuvent varier selon le modèle de l'appareil. Pour plus d'informations, se reporter à "Caractéristiques" voir page 44.

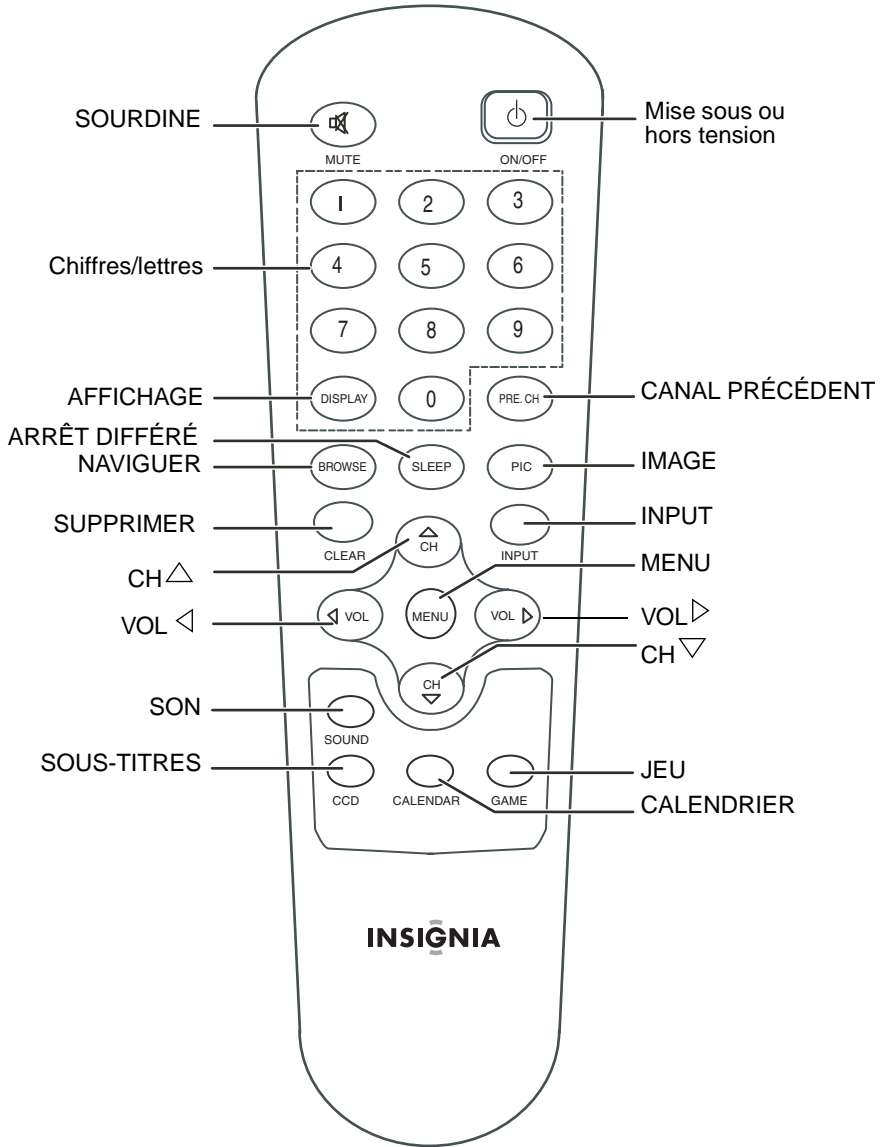


Panneau latéral

L'emplacement des prises peut varier selon le modèle de l'appareil.



Télécommande



Touche	Description
MUTE (Sourdine)	Touche pour mettre le son en sourdine.
Chiffres/lettres	<p>Touches d'entrée des numéros de canaux et de réglage de la date à l'aide de la télécommande.</p> <p>Pour entrer un canal à deux chiffres, appuyer sur les deux chiffres. Pour entrer un canal à trois chiffres, maintenir appuyé le premier chiffre pendant deux secondes jusqu'à l'apparition de deux tirets à droite du chiffre, puis entrer les deux autres chiffres. Par exemple, pour syntoniser le canal 123, maintenir appuyé le 1 pendant deux secondes puis appuyer sur 2, puis sur 3.</p>
DISPLAY (Affichage)	Touche d'affichage de l'information sur le canal.
SLEEP (Arrêt différé)	Touche d'accès à la configuration de l'arrêt différé.
BROWSE (Naviguer)	Appuyer deux fois sur cette touche pour lancer le balayage des canaux. Appuyer de nouveau afin d'arrêter le balayage et sélectionner le canal actuel.
CLEAR (Supprimer)	<p>Touche de suppression des menus ou des messages d'écran et de retour au visionnement de la télévision.</p> <p>Dans un menu OSD avec entrées numériques, appuyer sur cette touche pour supprimer le dernier chiffre entré.</p>
CH△	<p>Pendant le visionnement de la télévision, appuyer sur cette touche pour syntoniser un canal supérieur.</p> <p>Dans un menu OSD, appuyer sur cette touche pour sélectionner un menu ou une option de menu.</p>
◀VOL	<p>Pendant le visionnement de la télévision, appuyer sur cette touche pour diminuer le volume.</p> <p>Dans un menu OSD, appuyer sur cette touche pour faire défiler vers le bas dans les options de menu.</p>

Touche	Description
SOUND (Son)	Pour les modèles avec AV STÉRÉO ou BTSC seulement. Touche de sélection d'un des modes audio préréglé. Il est possible de sélectionner STANDARD, INFORMATIONS, MUSIQUE ou MÉMOIRE. Il est possible de configurer ses propres préférences de mode de son et de les mémoriser à l'aide du mode son MÉMOIRE.
CCD (Sous-titres)	Touche pour activer ou désactiver les sous-titres.
Mise sous ou hors tension//Mode attente	Touche de mise sous et hors tension de l'appareil. Si l'appareil est en mode attente (économie d'énergie), cette touche permet de quitter le mode attente.
PRE.CH (Canal précédent)	Pendant le visionnement de la télévision, cette touche permet de retourner au canal antérieur. Dans le menu OSD, elle permet de retourner au menu précédent.
PIC (Image)	Appuyer une ou plusieurs fois sur cette touche pour sélectionner un des modes d'image préréglé. Il est possible de sélectionner STANDARD, DYNAMIQUE, DOUX ou MÉMOIRE. Il est possible de configurer ses propres préférences de mode d'image et de les mémoriser à l'aide du mode d'image MÉMOIRE.
INPUT	Touche de sélection du signal d'entrée vidéo.
MENU	Touche d'accès aux menus d'écran (OSD).
VOL▶	Pendant le visionnement de la télévision, appuyer sur cette touche pour augmenter le volume. Dans un menu OSD, appuyer sur cette touche pour défiler vers le haut dans les options de menu.
CH▽	Pendant le visionnement de la télévision, appuyer sur cette touche pour syntoniser un canal inférieur. Dans un menu OSD, appuyer sur cette touche pour sélectionner un menu ou une option de menu.

Touche	Description
GAME (Jeu)	Touche d'accès à un jeu préinstallé.
CALENDAR (Calendrier)	Touche d'accès au réglage de la date.

Installation des piles de la télécommande

Avertissement



Ne pas jeter les piles dans le feu. Se débarrasser des piles usagées en suivant les normes relatives aux déchets dangereux.

Précautions



Ne pas faire tomber ni démonter la télécommande. Ne pas mouiller la télécommande.

Pour installer les piles dans la télécommande :

- 1 Retirer le couvercle du compartiment des piles.
- 2 Insérer deux piles AAA dans le compartiment. Vérifier que les symboles +/- sur la pile concordent avec les repères +/- à l'intérieur du compartiment des piles.
- 3 Remettre le couvercle du compartiment des piles.

Remarque

Retirer les piles si la télécommande ne va pas être utilisée pendant une période prolongée ou si elles sont mortes, pour éviter qu'elles ne fuient.

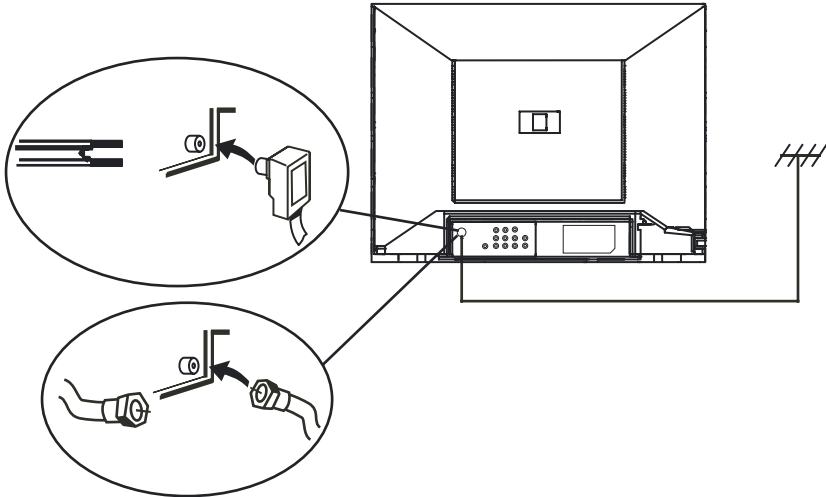
Installation de l'appareil

Connexion à la télévision câblée ou à une antenne externe VHF/UHF

Précautions



Ne pas attacher le câble d'antenne et le cordon d'alimentation ensemble.



Pour connecter à la télévision câblée ou à une antenne externe VHF/UHF :

- 1 Connecter un câble de 75 Ohms à la prise d'antenne à l'arrière de l'appareil.
- 2 Connecter l'autre extrémité du câble de 75 Ohms à la télévision câblée ou à une antenne externe VHF/UHF.

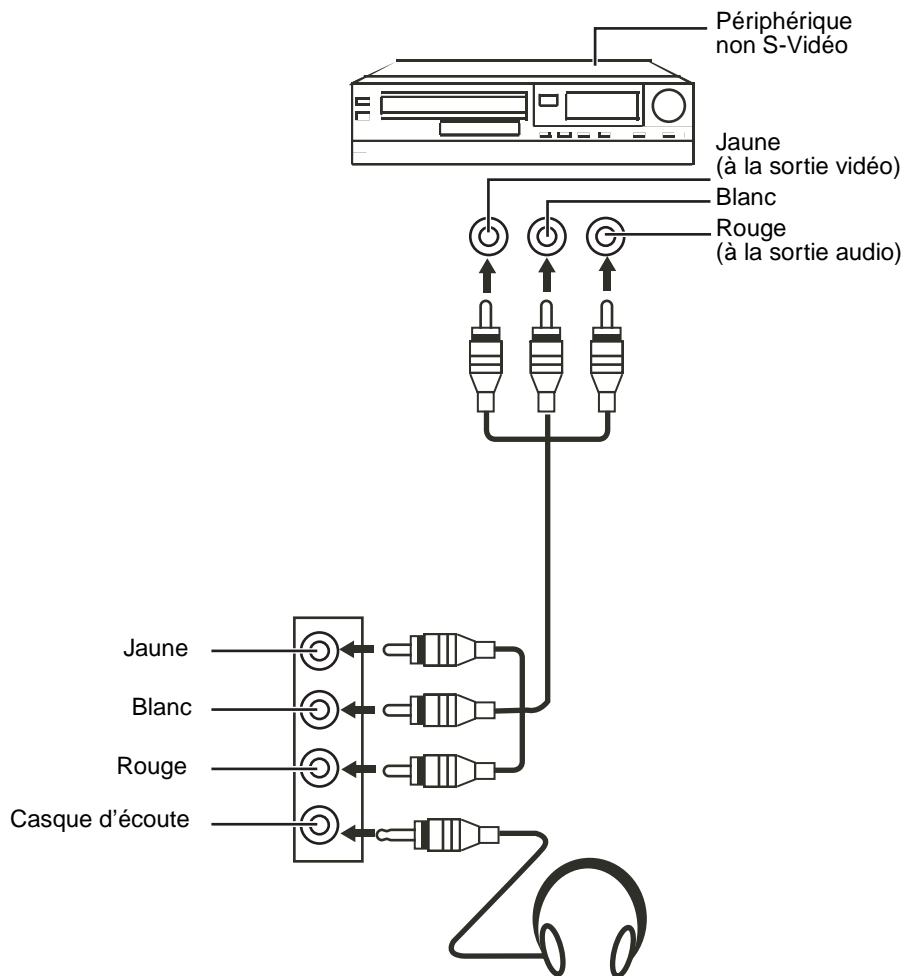
Remarque

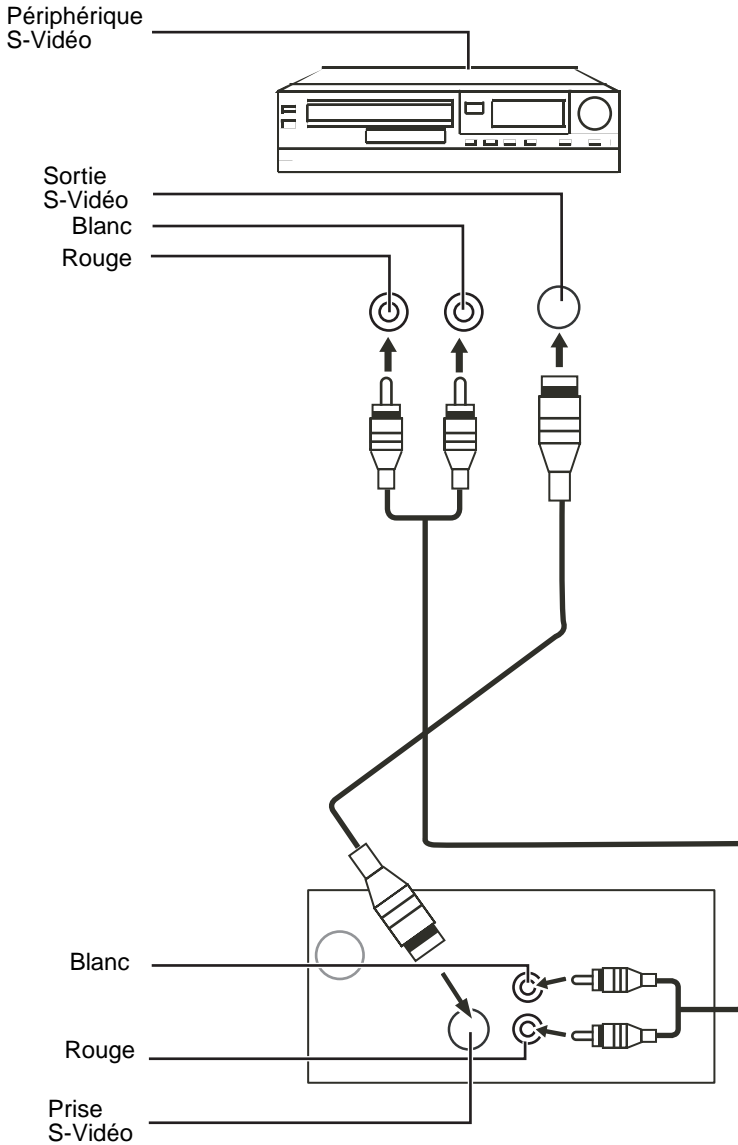
Avec un feeder d'antenne plat 300 il est nécessaire de connecter un convertisseur 300/75 Ohms, puis connecter le convertisseur à la prise d'antenne TV.

Il est recommandé d'utiliser un câble de 75 Ohms pour réduire les interférences provoquées par les ondes radio.

Connexion d'un périphérique vidéo standard

Si le modèle dispose de prises audio sur le panneau latéral, se reporter à l'illustration suivante pour connecter un périphérique vidéo standard aux prises latérales.



Connexion d'un périphérique S-Vidéo

Fonctionnement du téléviseur

Mise sous/hors tension du téléviseur

Pour mettre le téléviseur sous/hors tension :

- 1 Brancher le cordon d'alimentation dans une prise électrique.
- 2 Appuyer sur la touche **Power** (Mise sous tension) de la télécommande.

Remarque

Le témoin d'alimentation s'allume quand le téléviseur est en fonctionnement.

Le témoin d'alimentation s'allume en rouge quand le téléviseur est mode d'attente. Quand le téléviseur a un écran bleu ou est sur un canal qui n'a pas de signal, l'appareil se met en mode d'attente après cinq minutes.

Changement de canal TV

Pour changer de canal TV :

- Appuyer sur la touche **CH**△ ou **CH**▽ de la télécommande ou du téléviseur.

Pour entrer les numéros de canal et régler la date directement :

- Pour entrer un canal à deux chiffres, appuyer sur les deux numéros.
- Pour entrer un canal à trois chiffres, maintenir appuyé le premier chiffre pendant deux secondes jusqu'à l'apparition de deux tirets à droite du chiffre, puis entrer les deux autres chiffres. Par exemple, pour syntoniser le canal 123, maintenir appuyé le 1 pendant deux secondes puis appuyer sur 2, puis sur 3.

Réglage du volume

Pour régler le volume :

- Appuyer sur la touche **VOL**▷ ou **VOL**◁ de la télécommande ou sur la touche **VOL**△ ou **VOL**▽ du téléviseur.

Réglage de l'arrêt différé

Pour régler l'arrêt différé :

- 1 Appuyer sur la touche **SLEEP** (Arrêt différé) de la télécommande une ou plusieurs fois pour sélectionner la durée avant que le téléviseur se mette automatiquement hors tension. Il est possible de sélectionner 30, 60, 90 ou 120 minutes.
- 2 Pour annuler l'arrêt différé, appuyer sur la touche **SLEEP** une ou plusieurs fois jusqu'à l'affichage de SLEEP OFF (Arrêt différé désactivé).

Sélection du mode de l'image.

Pour sélectionner le mode de l'image :

- Appuyer sur la touche **PRE.CH** (Retour au canal précédent) de la télécommande une ou plusieurs fois pour sélectionner le mode de l'image. Il est possible de sélectionner **STANDARD**, **DYNAMIQUE**, **DOUX** ou **MÉMOIRE**. Il est possible de configurer ses propres préférences de mode d'image et de les mémoriser à l'aide du mode d'image **MÉMOIRE**.

Sélection du mode son

Pour sélectionner le mode son :

- Appuyer sur la touche **SOUND** (Son) de la télécommande une ou plusieurs fois pour sélectionner le mode son. Il est possible de sélectionner **STANDARD**, **INFORMATIONS**, **MUSIQUE** et **MÉMOIRE**. Il est possible de configurer ses propres préférences de mode de son et de les mémoriser à l'aide du mode son **MÉMOIRE**.

Réglage de la date

Pour régler la date :

- 1 Appuyer sur la touche **CALENDAR** (Calendrier) de la télécommande.
- 2 Appuyer sur la touche **CH** \triangle ou **CH** ∇ de la télécommande ou du téléviseur se déplacer entre l'année, le mois et le jour.
- 3 Appuyer sur la touche **VOL** \triangleright ou **VOL** \triangleleft de la télécommande ou sur la touche **VOL** \triangle ou **VOL** ∇ du téléviseur pour régler l'entrée sélectionnée.
- 4 Après avoir régler la date, appuyer sur la touche **CALENDAR** (Calendrier) de la télécommande pour enregistrer les modifications et fermer l'affichage du calendrier.
- 5 Pour effacer une description, recommencer l'opération et appuyer sur la touche **VOL** \triangleleft pour effacer les caractères.

Configuration du contrôle parental

Pour configurer le contrôle parental :

- 1 Accéder au menu OSD, sélectionner le menu **FUNCTION** (Fonction), puis l'option **V-CHIP** (Puce antiviolence). Pour plus d'informations, se reporter à "Utilisation des menus d'écran (OSD)" voir page 41.
- 2 Appuyer sur la touche **VOL** ∇ du téléviseur ou sur la touche **VOL** \triangleright de la télécommande.
- 3 Entrer le mot de passe à quatre chiffres. Le mot de passe par défaut est 0358.

- 4 Appuyer sur la touche **VOL** ◀ ou **VOL** ▶ de la télécommande pour sélectionner la classification MPAA (film) à verrouiller. La classification sélectionnée ainsi que celles qui lui sont supérieures sont verrouillées.

Sélections possibles :

- N/A – Non classifié.
- G – Tout public. Approprié pour les enfants de tous âges.
- PG – Contrôle parental suggéré.
- PG13 – Contrôle parental. Contenu interdit aux moins de 13 ans.
- R – Interdit. Contenu interdit aux enfants de moins de 17 ans en l'absence des parents.
- NC-17 – Contenu interdit aux enfants de moins de 17 ans.
- X – Pour adultes uniquement.

- 5 Appuyer sur la touche **VOL** ◀ ou **VOL** ▶ de la télécommande pour sélectionner la classification TVPG (émission TV) à verrouiller. La classification sélectionnée ainsi que celles qui lui sont supérieures sont verrouillées.

Sélections possibles :

- TY7 – Enfants de tous âges
- TVY7 – Interdit aux enfants de moins de 7 ans
- TV-G – Tout public
- TV-PG – Surveillance parentale suggérée
- TV-14 – Mise en garde sérieuse des parents
- TV-MA – Adultes

- 6 Appuyer sur la touche **VOL** ◀ ou **VOL** ▶ de la télécommande pour sélectionner CONTENT THEMES (Thèmes des émissions TV) afin de verrouiller les émissions avec un certain type de contenu.

Sélections possibles :

- D – Dialogue à caractère sexuel explicite
- FV – Violence fictive
- L – Vulgarités
- S – Scènes à caractère sexuel explicite
- V – Violence

Conseil

Pour revenir à un menu antérieur, sélectionner ↶.

Pour accéder au jeu intégré

Le téléviseur est doté d'un jeu intégré consistant en un damier. Le joueur et le téléviseur jouent tour à tour en plaçant les pions noirs et blancs dans les cases. Si un pion d'une couleur est entouré de pions d'une autre couleur, le pion est enlevé. Quand un joueur a enlevé tous les pions de l'adversaire ou rempli toutes les cases, le jeu est terminé. Le joueur avec le plus de pions a gagné.

Pour jouer au jeu intégré :

- 1 Appuyer sur la touche **GAME** (Jeu) de la télécommande.
- 2 Appuyer sur la touche **CH** \triangle ou **CH** ∇ de la télécommande pour déplacer les pions vers le haut ou vers le bas, ou appuyer sur la touche **VOL** \triangleright ou **VOL** \triangleleft de la télécommande pour déplacer les pions vers la droite ou vers la gauche.
- 3 Appuyer sur la touche **MENU** de la télécommande pour placer le pion dans une case.
- 4 Appuyer de nouveau sur la touche **GAME** (Jeu) pour terminer le jeu.

Utilisation des menus d'écran (OSD)

Le téléviseur a des menus d'écrans (OSD) qui permettent de régler divers paramètres.

Pour utiliser l'OSD :

- 1 Appuyer sur la touche **MENU** de la télécommande ou du téléviseur pour accéder à l'OSD.
- 2 Appuyer de nouveau sur la touche **MENU** pour sélectionner un menu.
- 3 Appuyer sur la touche **CH** \triangle ou **CH** ∇ de la télécommande ou du téléviseur pour sélectionner une option.
- 4 Appuyer sur la touche **VOL** \triangleright ou **VOL** \triangleleft de la télécommande ou sur la touche **VOL** \triangle ou **VOL** ∇ du téléviseur pour modifier l'option.
- 5 Appuyer sur la touche **MENU** de la télécommande ou du téléviseur une ou plusieurs fois pour fermer l'OSD.

Menus et options OSD

Menu	Option
Image	<p>CONTRAST (Contraste) – Augmente la définition de l'image pour en régler les zones blanches. Diminue la définition de l'image pour en régler les zones noires.</p> <p>BRIGHTNESS (Luminosité) – Augmente la luminosité pour ajouter plus de lumière aux zones sombres de l'image. Diminue la luminosité pour nuancer les zones claires de l'image.</p> <p>COLOR (Couleur) – Permet de régler la richesse de la couleur de l'image.</p> <p>SHARPNESS (Netteté) – Augmente la définition pour afficher une image plus nette et plus claire. Diminue la définition pour afficher une image plus fluide.</p> <p>TINT (Teinte) – Augmente le niveau de la couleur pour ajouter plus de vert aux tons chair. Diminue le niveau de la couleur pour ajouter plus de rouge aux tons chair.</p> <p>COLOR TEMP (Température de couleur) – Pour sélectionner une couleur de température prééglée. Il est possible de sélectionner NEUTRE, CHAUD ou FROID.</p> <p>COMB FILTER (Filtre en peigne) – Pour activer ou désactiver le filtre en peigne. Le filtre en peigne isole les transmissions du signal de la luminosité de celles du signal de la couleur pour améliorer l'image. Cette option est disponible seulement sur certains modèles.</p>
Son	<p>VOLUME + – Pour augmenter et diminuer le volume.</p> <p>TREBLE (Aigus) – Pour régler les aigus.</p> <p>BASS (Graves) – Pour régler les graves.</p> <p>BALANCE – Pour régler la balance entre les haut-parleurs droit et gauche.</p> <p>SURROUND (Ambiophonie) – Pour activer ou désactiver le son ambiophonique.</p>

Menu	Option
Syntonisation	<p>CHANNEL (Canal) – Pour sélectionner un canal TV. Appuyer sur les touches volume de la télécommande ou du téléviseur ou utiliser les touches numériques pour entrer le numéro de canal.</p> <p>DELETE CH (Supprimer le canal) – Pour supprimer le canal TV listé dans l’option CHANNEL (Canal). Si YES (Oui) est sélectionné, le canal est supprimé de la liste. Si NO (Non) est sélectionné, le téléviseur affiche le canal listé dans l’option CHANNEL (Canal).</p> <p>SOURCE – Pour sélectionner la source du signal TV. Sélectionner AIR pour une antenne VHF/UHF. Sélectionner CABLE (Câble) pour une connexion à la télévision câblée.</p> <p>AUTO SEARCH (Recherche automatique) – Pour balayer les canaux dont le signal est disponible et créer une liste de canaux enregistrés.</p>
FUNCTION (Fonction)	<p>LANGUAGE (Langue) – Pour sélectionner la langue des menus OSD.</p> <p>SCREEN (Écran) – pour sélectionner le fond de l’écran quand le téléviseur est sous tension mais ne reçoit pas de signal. Il est possible de sélectionner OFF (Éteint), BLUE BACK (Fond bleu) ou SAVER (Économiseur).</p> <p>CHILD LOCK (Contrôle parental) – Pour activer ou désactiver le verrouillage parental. Quand cette option est sélectionnée, un mot de passe de quatre chiffres doit être saisi. Le mot de passe par défaut est MUTE+999.</p> <p>CCD – Pour sélectionner le mode sous-titres. Il est possible de sélectionner OFF, C1, C2, C3, C4, T1, T2, T3 ou T4.</p> <p>V-CHIP (Puce antiviolence) – Pour configurer la puce antiviolence afin de verrouiller et déverrouiller les émissions TV. Pour plus d’informations, se reporter à “Configuration du contrôle parental” voir page 39.</p>

Caractéristiques

NS-14FTV

Standard de réception	TV : NTSC AV : NTSC 3.58 à 60 Hz
Fonctions	A/V latérale/avant S-Vidéo Casque d'écoute Sous-titres Puce antiviolence Verrouillage parental Stéréo A/V
Sortie audio	1 W
Alimentation	120 V CA
Piles de la télécommande	1.5 V (2)
Consommation d'énergie nominale	70 W
Dimensions L x P x H	16,54 x 15,08 x 13,92 pouces (42,01 x 38,3 x 35,36 cm)
Poids	24,25 lb (11 kg)

NS-20FTV

Standard de réception	TV : NTSC AV : NTSC 3.58 à 60 Hz
Fonctions	A/V latérale/avant S-Vidéo Casque d'écoute Sous-titres Puce antiviolence Verrouillage parental Stéréo A/V
Sortie audio	2 W
Alimentation	120 V CA
Piles de la télécommande	1,5 V (2)
Consommation d'énergie nominale	75 W
Dimensions L x P x H	23,15 x 18,54 x 17,87 pouces (58,8 x 47,09 x 45,39 cm)
Poids	52,25 lb (23,7 kg)

Télécommande

Système de capteur	Infrarouge
Portée du signal	27,9 pi (8,5 m)
Piles	AAA 1,5 V (2)
Angle maximal	30° horizontal
Dimensions L x P x H	2,1 x 6,8 x 1 pouces (5,33 x 17,27 x 2,54 cm)
Poids	2,72 onces (77,11 g)

Problèmes et solutions

Problème	Solution
L'image est neigeuse et le son n'est pas clair	Vérifier que l'antenne extérieure est correctement branchée. Repositionner l'antenne extérieure.
Image dédoublée ou triple, mais le son est clair	L'image multiple est appelée image « fantôme ». Connecter le téléviseur à une antenne extérieure. N'utiliser que des câbles et des connecteurs de bonne qualité. Repositionner l'antenne extérieure.
L'image forme des lignes (vagues) et le son est déformé	Une interférence électrique peut être provoquée par des voitures ou des motos. Une interférence électrique peut être provoquée par des lampes au néon et des appareils électroménagers. Essayer de brancher le téléviseur dans une prise secteur différente, de préférence une prise sur un circuit électrique différent.
Pas de son	Vérifier que la commande de volume n'a pas été réglée à un bas niveau ou que la sourdine n'a pas été activée.
Ni image ni son	Vérifier que le cordon d'alimentation est branché sur une prise alimentée. Vérifier que le niveau de luminosité et de contraste n'est pas réglé trop bas.
L'image n'a pas de couleurs	Régler la couleur.
L'image est brouillée	Changer de canal.

Problème	Solution
L'image a des points	<p>La couleur peut être affectée quand le téléviseur est déplacé, un appareil électroménager tel qu'un aspirateur est mis en marche près du téléviseur ou si des aimants sont disposés trop proches de l'appareil.</p> <p>Mettre le téléviseur hors tension en utilisant la touche de l'appareil (pas celle de la télécommande). Laisser le téléviseur hors tension pendant environ 15 minutes.</p> <p>Si des points continuent d'apparaître sur l'image, mettre le téléviseur hors tension et ne pas l'utiliser jusqu'au lendemain.</p>

Entretien

Débrancher l'appareil de la prise murale avant tout nettoyage.

Ne pas utiliser de nettoyants liquides ou en aérosol.

Essuyer l'extérieur avec un chiffon doux humidifié avec de l'eau. Ne pas asperger directement l'extérieur ou l'écran avec de l'eau.

Avis juridiques

Droits d'auteurs

© 2006 Insignia. Insignia et le logo Insignia sont des marques commerciales de Best Buy Enterprise Services, Inc. Les autres noms de marques et de produits mentionnés sont des marques commerciales ou des marques déposées de leurs propriétaires respectifs. Les caractéristiques et spécifications sont susceptibles d'être modifiées sans préavis.

Déclaration de la FCC

Avis FCC

Dispositif numérique de Classe B

Cet équipement a été testé et est conforme aux limites d'un appareil numérique de classe B, en vertu du paragraphe 15 du règlement de la FCC.

Ces normes ont été établies afin de fournir une protection raisonnable contre toute interférence nuisible en cas d'exploitation du matériel dans un environnement résidentiel. Ce matériel génère, utilise et peut rayonner de l'énergie radiofréquence. S'il n'est pas installé et utilisé conformément aux instructions de ce manuel, il peut provoquer des interférences nuisibles aux communications radio.

Précautions



Conformément aux réglementations FCC 47CFR, Part 15.21, toute modification ou changement sur cet appareil qui ne serait pas expressément approuvée par le fabricant peut provoquer des interférences dangereuses et pourrait annuler l'autorisation octroyée à l'utilisateur de faire fonctionner ce dispositif.

Précautions



Il s'agit d'un produit de CLASSE B. Chez les particuliers, ce produit peut provoquer des interférences radio auquel cas l'utilisateur devra prendre les mesures qui conviennent pour faire cesser ces interférences.

Bienvenido

Felicitaciones por su compra de un producto de alta calidad de Insignia. Su TV a color modelo NS-14FTV o NS-20FTV representa lo último en diseño de televisores a color, y está concebido para brindar un rendimiento confiable y sin problemas.

Contenido

Información de seguridad	49
Características	53
Conexión de su TV	60
Uso de su TV	63
Especificaciones	69
Solución de problemas	71
Mantenimiento	72
Avisos legales	73

Información de seguridad

Advertencia



Riesgo de choque eléctrico. No abrir. No trate de reparar este TV usted mismo, ya que abrir o quitar las cubiertas puede exponerlo a voltajes peligrosos u otros peligros. Remita todas las reparaciones al personal de servicio calificado.

Advertencia



Para reducir el riesgo de incendio o choque eléctrico, no exponga su TV a la lluvia o humedad. No exponga su TV a líquidos que gotean o salpican. No coloque objetos llenos de líquidos, tal como vasijas, sobre su TV.

Advertencia



Para evitar un incendio, no coloque una fuente de llama expuesta, tal como una vela encendida, sobre su TV.

Advertencia



Dejar por lo menos 4.0 pulgadas (10 cm) de espacio alrededor de su TV para tener suficiente ventilación. No se debe bloquear las aberturas de ventilación con periódicos, manteles de mesa, cortinas, u otros objetos similares.

Advertencia



En caso de humo, ruidos u olores extraños que salgan de su TV, apáguelo, desconéctelo del tomacorriente de pared y póngase en contacto con su distribuidor o centro de servicio.

Lea las instrucciones

Lea todas las instrucciones de seguridad y operación antes de operar su TV.

Guarde las instrucciones

Guarde las instrucciones de seguridad y operación para referencia futura.

Preste atención a las advertencias

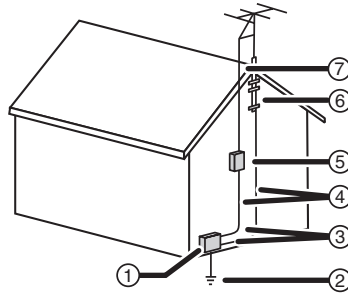
Preste atención a todas las advertencias sobre su TV y las instrucciones de operación.

Siga las instrucciones

Siga todas las instrucciones de operación y uso.

Conexión a tierra de la antena exterior

Sí una antena externa o un sistema de cable esta conectado al TV, asegúrese de que la antena o el sistema de cable esta conectado a tierra, para proveer una protección contra sobre voltajes y la acumulación de cargas estáticas. La sección 810 del código nacional eléctrico (NEC), ANSI/NFPA 70, proporciona información con respecto a la conexión a tierra del poste y la estructura de soporte, la conexión a tierra del alambre principal de una unidad de descarga de antena, el tamaño de los conductores de la conexión a tierra y la conexión del electrodo de conexión a tierra.



1	Equipo de servicio eléctrico
2	Sistemas de electrodos de tierra para el servicio de alimentación eléctrica
3	Abrazadera de tierra
4	Conductores de conexión a tierra
5	Unidad de descarga de antena
6	Abrazadera de tierra
7	Cable conductor de entrada de antena

Limpieza

Desconecte su TV del tomacorriente de pared antes de limpiarlo. No use limpiadores líquidos o en aerosol. Use un paño húmedo para limpiar el exterior del gabinete únicamente.

Rayos

Para proteger su TV durante una tormenta de rayos, o cuando se deje sin usar por un periodo de tiempo extendido, desconéctelo del tomacorriente de pared y desconecte la antena o el sistema de cable. Esto evitará daños a su TV debido a relámpagos o sobretensión de energía.

Protección del cable de alimentación

Los cables de alimentación eléctrica deben colocarse de manera que no se pisen o sean aplastados por artículos colocados sobre ellos o contra ellos. Preste especial atención a los cables de enchufes, receptáculos y al punto en que salen del TV.

Agua y humedad

No use su TV cerca del agua (por ejemplo, cerca de una bañera, lavabo, fregadero de cocina, tina de lavandería, en un sótano mojado o cerca de una piscina).

Ventilación

Ranuras y aberturas en la parte posterior o inferior del gabinete se proveen para ventilación, para asegurar la operación confiable del TV, y para protegerlo contra el sobrecalentamiento. Estas aberturas no se deben bloquear ni cubrir. No coloque el TV en una cama, un sofá, una alfombra u otra superficie similar. No coloque su TV ni cerca ni sobre un radiador o fuente de calor. No coloque su TV en una instalación integrada, tal como un librero o estantería a menos que se proporcione ventilación apropiada o se hayan seguido las instrucciones del fabricante.

Fuente de alimentación

Opere su TV únicamente con el tipo de fuente de alimentación indicada en la placa de clasificación. Si no está seguro del tipo de fuente de energía en su casa, consulte con el vendedor de su TV o la compañía local de energía.

Moviendo su TV

Si mueve su TV de un lugar frío a uno caliente, espere hasta que la condensación dentro del TV se ha evaporado completamente antes de encenderlo.

Luz solar

Posicione su TV de tal forma que la pantalla no está expuesta directamente a la luz solar.

Ambiente de observación

Utilice iluminación suave e indirecta mientras mira su TV. Un ambiente completamente oscuro y la reflexión de la pantalla pueden causar cansancio de ojos.

Interferencia magnética

Mantenga su TV alejado de campos magnéticos fuertes, tal como altavoces alimentados, para evitar afectar el tinte.

Mantenimiento

Utilice un transformador de alimentación aislada durante el mantenimiento porque el gabinete de su TV puede estar electrificado.

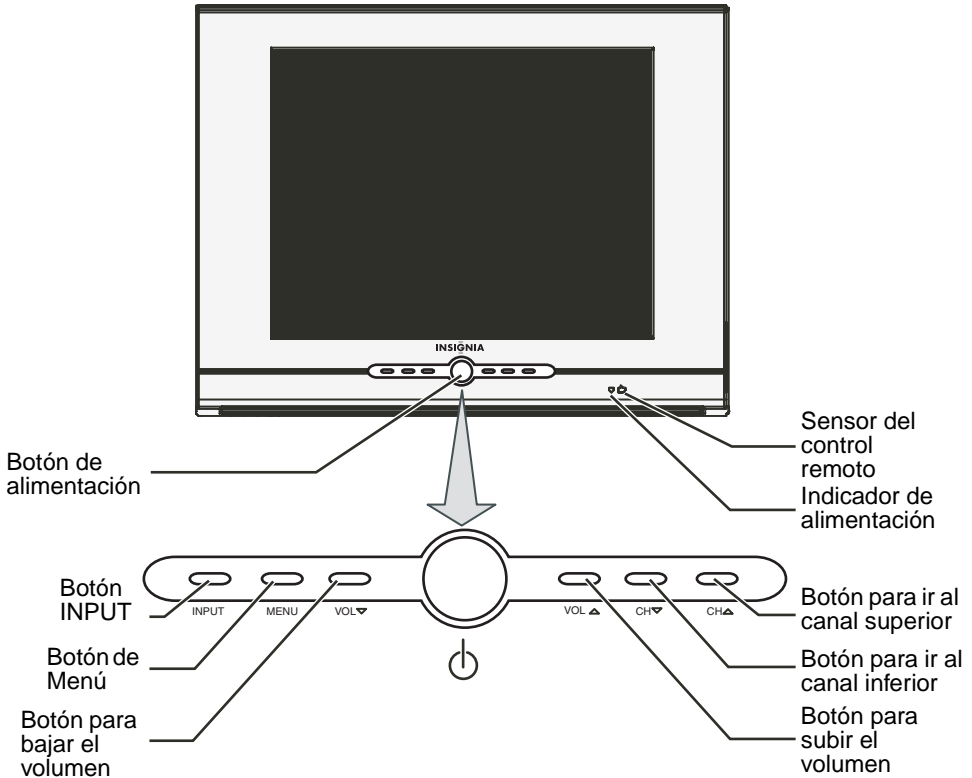
Nota para el instalador del sistema de TV por cable

Este recordatorio se proporciona para que el instalador del sistema de cable preste atención al Artículo 820-40 del NEC el cual proporciona pautas para una correcta conexión a tierra y, en particular, especifica que la conexión a tierra del cable debe estar conectada al sistema de tierra de la edificación, tan cerca al punto de entrada del cable como sea práctico.

INPUT Características

Frente

La ubicación de las funciones puede variar dependiendo del modelo de su TV.

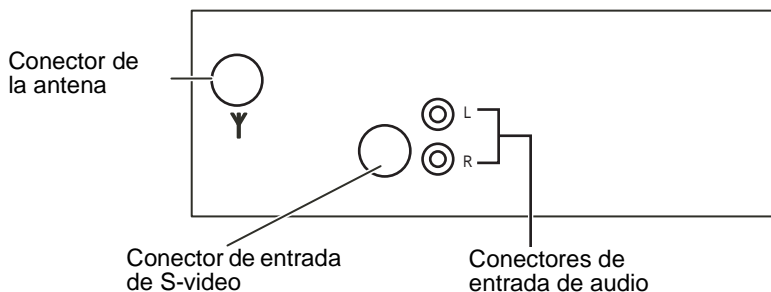


Característica	Descripción
Botón de alimentación	Presione para encender o apagar su TV.
Indicador de alimentación	Se enciende color rojo cuando su TV se encuentra en el modo Standby.
Sensor del control remoto	Recibe señales del control remoto. No se debe cubrir.
Botón INPUT	Presione para seleccionar la entrada de video.

Característica	Descripción
Botón MENU	Presione para mostrar la visualización en pantalla (OSD) del TV.
Botón VOL ▽	Presionar para reducir el volumen.
Botón VOL △	Presione para subir el volumen.
Botón CH ▽	Presione para cambiar a un número de canal más bajo.
Botón CH △	Presione para cambiar a un número de canal más alto.

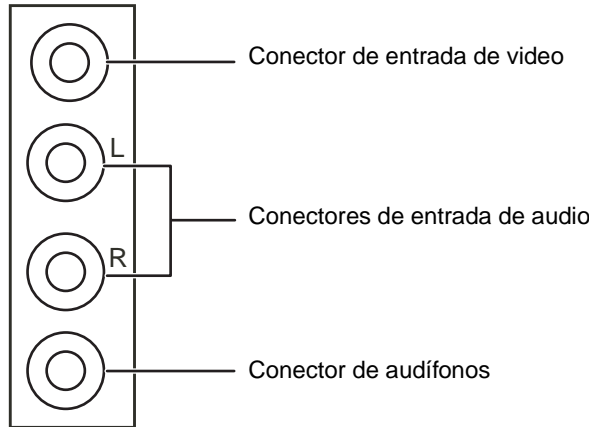
Posterior

El tipo y la ubicación de los conectores pueden variar dependiendo del modelo de su TV. Para obtener más información, vea “Especificaciones” en la página 69.

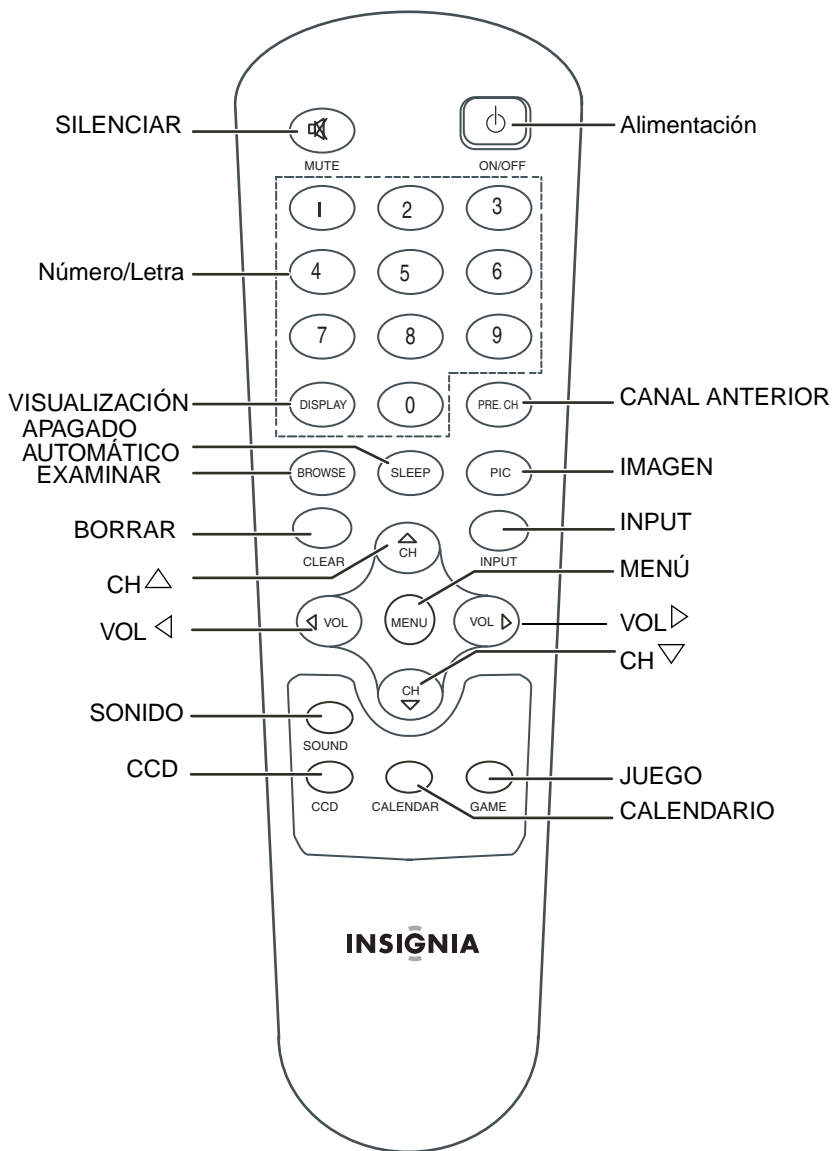


Lado

La ubicación de los conectores puede variar dependiendo del modelo de su TV.



Control Remoto



Botón	Descripción
MUTE (Silenciar)	Presionar para silenciar el sonido.
Número/Letra	<p>Presionar para ingresar números de canales y ajustes de fecha directamente por medio del control remoto.</p> <p>Para ingresar un canal de dos dígitos, presione los botones correspondientes a los dos dígitos. Para ingresar un canal de tres dígitos, presione y mantenga presionado el primer dígito por dos segundos hasta que "--" aparezca a la derecha del número y luego presione el segundo y tercer número. Por ejemplo, para sintonizar el canal 123, presione y mantenga presionado el botón 1 por dos segundos, luego presione 2, luego presione 3.</p>
DISPLAY (Visualización)	Presionar para mostrar la información del canal.
SLEEP (Apagado automático)	Presionar para acceder a los ajustes del apagado automático.
BROWSE (Examinar)	Presionar dos veces para comenzar a escanear canales. Presionar de nuevo para dejar de escanear y seleccionar el canal actual.
CLEAR (Borrar)	<p>Presionar para cerrar cualquier menú o visualización de la pantalla y regresar a ver la TV.</p> <p>Si se encuentra en un menú OSD que tiene entradas numéricas, presione para borrar el último número que ingresó.</p>
CH△	<p>Cuando esta viendo su TV, presione para sintonizar un canal de TV con un número más alto.</p> <p>Cuando se usa el OSD, presione para seleccionar un menú o una opción de menú.</p>
VOL◀	<p>Cuando esta viendo la TV, presione para reducir el volumen.</p> <p>Cuando se usa el OSD, presione para desplazarse hacia abajo por las opciones de menú.</p>

Botón	Descripción
SONIDO (Sonido)	<p>Para modelos con AV estéreo o BTSC únicamente.</p> <p>Presionar para seleccionar uno de los modos de audio predefinidos. Puede seleccionar entre STANDARD (estándar), NEWS (noticias), MUSIC (música), o MEMORY (memoria). Puede configurar sus preferencias del modo de sonido y guardarlas bajo el modo de sonido de MEMORY (memoria).</p>
CCD	<p>Presionar para activar o desactivar los subtítulos.</p>
Power/Standby (encender/standby)	<p>Presionar para encender o apagar el TV. Si su TV se encuentra en el modo de standby (ahorro de energía), presione para salir del modo de standby.</p>
PRE.CH (Canal anterior)	<p>Si esta viendo el TV, presione para regresar al último canal que estaba viendo.</p> <p>Cuando se usa el OSD, presione para regresar al último menú que se mostró.</p>
PIC (Imagen)	<p>Presionar una o más veces para seleccionar uno de los modos de imagen predefinidos. Puede seleccionar entre STANDARD (estándar), DYNAMIC (dinámico), MILD (suave), o MEMORY (memoria). Puede configurar sus preferencias del modo de imagen y guardarlas bajo el modo de imagen de MEMORY (memoria).</p>
INPUT	<p>Presione para seleccionar la entrada de video.</p>
MENU (Menú)	<p>Presione para mostrar la visualización en pantalla (OSD).</p>
VOL▷	<p>Cuando esta viendo la TV, presione para aumentar el volumen.</p> <p>Cuando se usa el OSD, presione para desplazarse hacia arriba por las opciones de menú.</p>
CH▽	<p>Cuando esta viendo su TV, presione para sintonizar un canal de TV con un número más bajo.</p> <p>Cuando se usa el OSD, presione para seleccionar un menú o una opción de menú.</p>

Botón	Descripción
GAME (Juego)	Presionar para jugar el juego precargado.
CALENDAR (Calendario)	Presionar para acceder a los ajustes de fecha.

Instalación de las pilas del control remoto

Advertencia



No tire las pilas al fuego. Deseche las pilas usadas como si fuera desperdicios dañinos.

Cuidado



No deje caer ni desarme el control remoto. No moje el control remoto.

Para instalar las pilas en el control remoto:

- 1 Remueva la cubierta de las pilas.
- 2 Inserte dos pilas AAA en el compartimiento de pilas. Asegúrese de que los símbolos +/- en la pila hagan juego con las marcas +/- en el compartimiento de las pilas.
- 3 Vuelva a colocar la cubierta de las pilas.

Nota

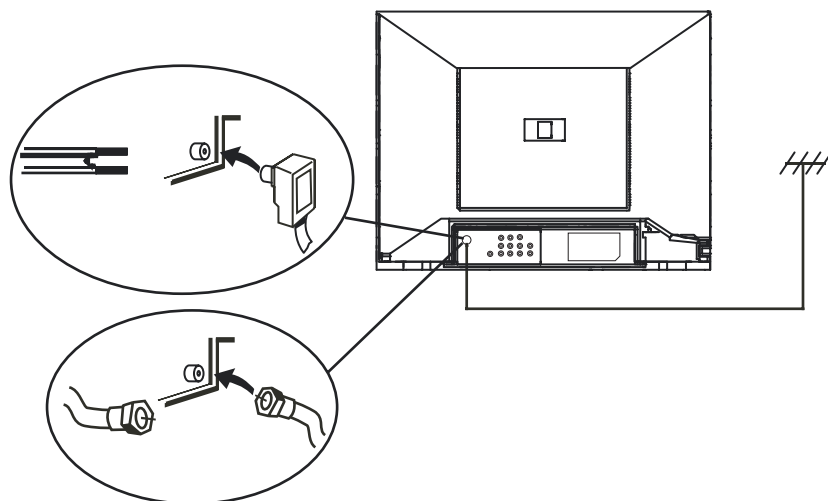
Si el control remoto no se va a usar por un período de tiempo extendido, o si las pilas están agotadas, remueva las pilas para prevenir derrames.

Conexión de su TV

Conectando TV por cable o una antena VHF/UHF externa

Cuidado

No se debe atar el cable de la antena al de alimentación.

**Para conectarse TV por cable o una antena VHF/UHF externa:**

- 1 Conecte un cable de 75 Ohmios al conector de antena en la parte posterior del TV.
- 2 Conecte el otro extremo del cable de 75 Ohmios al TV por cable o a una antena externa de VHF/UHF.

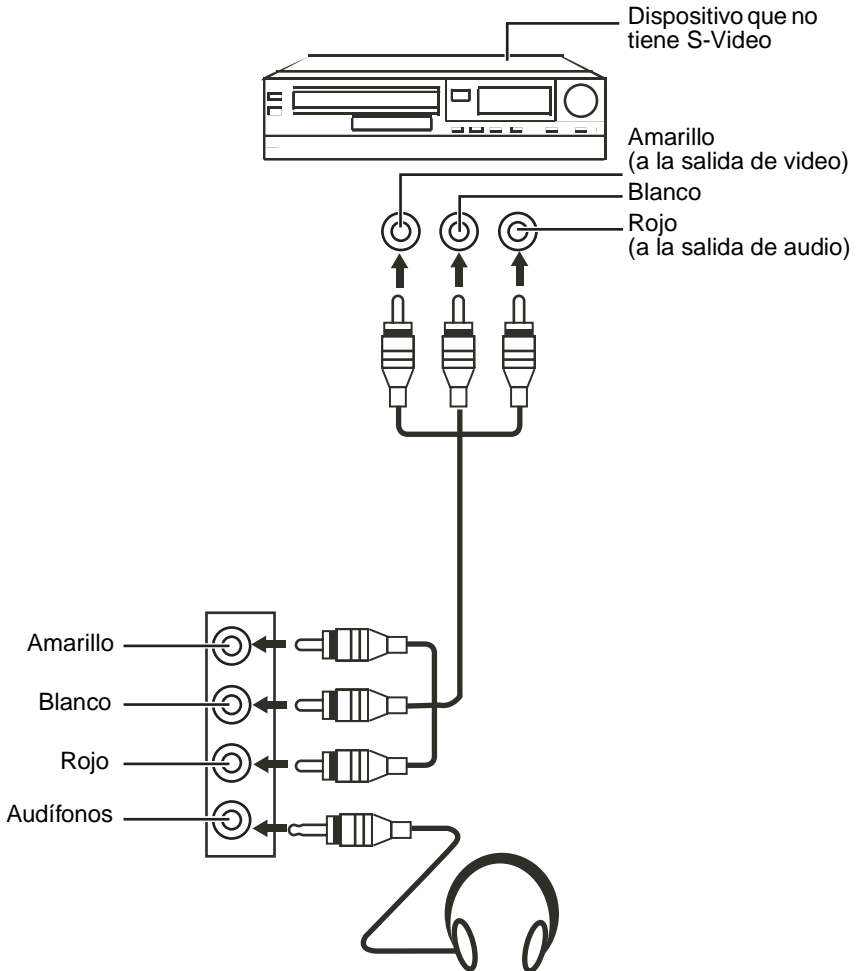
Nota

Si usa un alimentador plano de 300 Ohmios, necesitará un convertor de 300/75 Ohmios, luego conecte el convertor al conector de antena del TV.

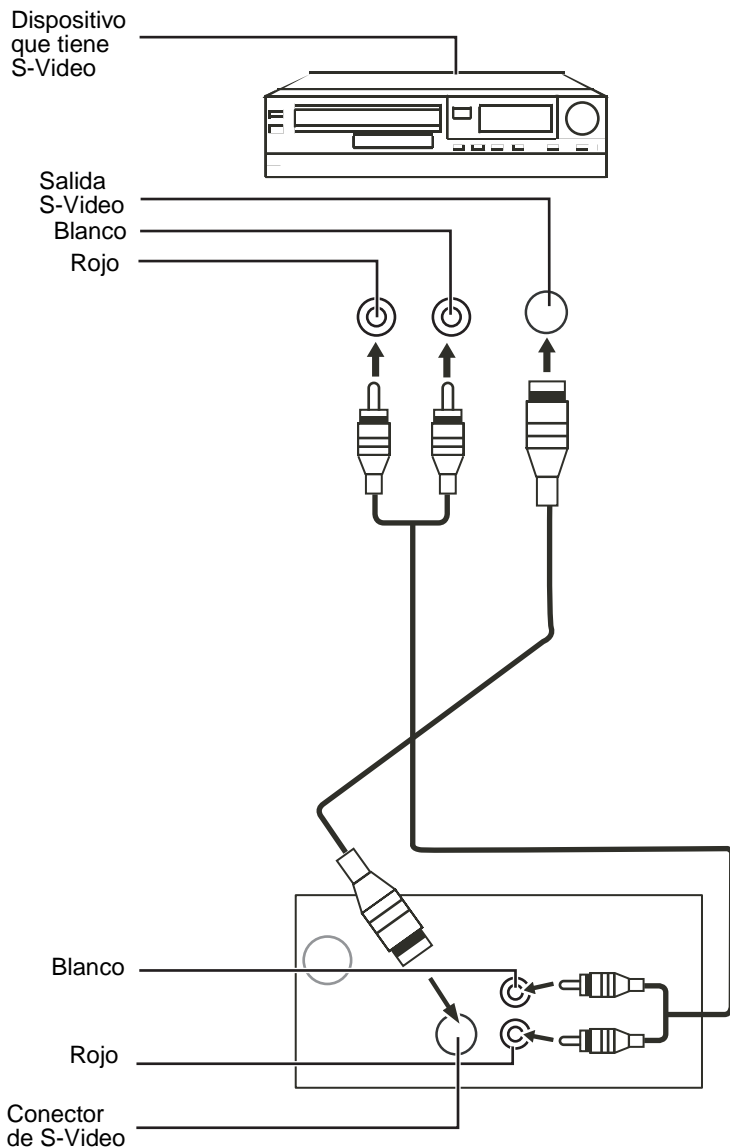
Recomendamos usar un cable de 75 Ohmios para reducir la interferencia causada por ondas de radio.

Conexión a un dispositivo de vídeo estándar

Si su modelo tiene tomas de audio laterales, use la ilustración siguiente para conectar un dispositivo de vídeo estándar a los tomas laterales.



Conexión a un dispositivo que tiene S-Video



Usando su TV

Cómo encender y apagar el TV

Para encender y apagar su TV:

- 1 Enchufe el cable de alimentación en un tomacorriente eléctrico.
- 2 Presione el botón **Power** (alimentación) en el control remoto.

Nota

El indicador de alimentación se apagará cuando el TV se encuentre activo.

El indicador de alimentación se enciende color rojo cuando el TV se encuentra en modo Standby. Cuando su TV tiene una pantalla azul, o esta sintonizado por más de cinco minutos en un canal que no tiene señal, su TV entra al modo de Standby.

Cambiando los canales de televisión

Para cambiar los canales de televisión:

- Presione el botón **CH**△ o **CH**▽ en su control remoto o en su TV.

Para ingresar los números de canales y hacer ajustes de fecha directamente:

- Para ingresar un canal de dos números, presione los botones de los dos números.
- Para ingresar un canal de tres números, presione y mantenga presionado el primer número por dos segundos hasta que "--" aparezca a la derecha del número y luego presione el segundo y tercer número. Por ejemplo, para sintonizar el canal 123, presione y mantenga presionado el botón 1 por dos segundos, luego presione 2, luego presione 3.

Ajuste del volumen

Para ajustar el volumen:

- Presione el botón **VOL**▷ o **VOL**◁ en su control remoto o presione el botón **VOL**△ o **VOL**▽ en su TV.

Ajuste del temporizador de apagado automático

Para establecer el temporizador de apagado automático:

- 1 Presione el botón **SLEEP** (Apagado automático) en su control remoto una o más veces para seleccionar la cantidad de tiempo que desea que se espere antes de que el TV se apague automáticamente. Puede seleccionar 30, 60, 90 ó 120 minutos.

- 2 Para cancelar el temporizador de apagado automático, presione el botón **SLEEP** (Apagado automático) una o más veces hasta que aparezca la frase "SLEEP OFF" (Apagado automático desactivado).

Selección el modo de imagen

Para seleccionar el modo de imagen:

- Presione el botón **PRE.CH** (Canal anterior) en su control remoto una o más veces para seleccionar el modo de imagen. Puede seleccionar entre STANDARD (Estándar), DYNAMIC (Dinámico), MILD (Suave), o MEMORY (Memoria). Puede configurar sus preferencias del modo de imagen y guardarlas bajo el modo de imagen de MEMORY (Memoria).

Selección del modo de sonido

Para seleccionar el modo de sonido:

- Presionar el botón **SOUND** (Sonido) en su control remoto una o más veces para seleccionar el modo de sonido. Puede seleccionar entre STANDARD (Estándar), NEWS (Noticias), MUSIC (Música), o MEMORY (Memoria). Puede configurar sus preferencias del modo de sonido y guardarlas bajo el modo de sonido de MEMORY (Memoria).

Ajuste de la fecha

Para ajustar la fecha:

- 1 Presione el botón **CALENDAR** (Calendario) en el control remoto.
- 2 Presione el botón **CH** \triangle o **CH** ∇ en su control remoto o en su TV para moverse entre las entradas del año, mes y día.
- 3 Presione el botón **VOL** \triangleright o **VOL** \triangleleft en su control remoto o presione el botón **VOL** \triangle o **VOL** ∇ en su TV para ajustar la entrada seleccionada.
- 4 Después que ajuste la fecha, presione el botón **CALENDAR** (Calendario) en su control remoto para guardar sus cambios y cerrar el calendario de pantalla.

Ajustando los controles paternos

Para ajustar los controles paternos:

- 1 Abra el OSD, seleccione el menú FUNCTION (Función), luego seleccione la opción V-CHIP (Chip-V). Para obtener más información, vea "Uso de la visualización de pantalla (OSD)" en la página 66.
- 2 Presione el botón **VOL** ∇ en su TV o el botón **VOL** \triangleright en su control remoto.
- 3 Ingrese su contraseña de cuatro dígitos. La contraseña preestablecida es 0358.

- 4 Presione el botón **VOL** ◀ o **VOL** ▶ en su control remoto para seleccionar la clasificación MPAA (películas) que desea bloquear. La clasificación que seleccionó y todas las otras clasificaciones arriba de ésta serán bloqueadas.

Se puede seleccionar:

- N/A – Sin clasificación.
- G – General. Apropiado para todos los niños.
- PG – Guía paternal recomendada
- PG13 – Guía paternal El contenido no es apropiado para niños menores de 13 años.
- R– Restringida. El contenido no es apropiado para niños menores de 17 años sin supervisión paternal.
- NC-17 – El contenido no es apropiado para niños menores de 17 años.
- X – Solo para adultos

- 5 Presione el botón **VOL** ◀ o **VOL** ▶ en su control remoto para seleccionar la clasificación TVPG (programa de TV) que desea bloquear. La clasificación que seleccionó y todas las otras clasificaciones arriba de ésta serán bloqueadas.

Se puede seleccionar:

- TY7 – Todos los niños
- TVY7 – Niños de 7 años y mayores
- TV-G – Audiencia general
- TV-PG – Guía paternal recomendada
- TV-14 – Guía paternal recomendada fuertemente
- TV-MA – Audiencia madura

- 6 Presione el botón **VOL** ◀ o **VOL** ▶ en su control remoto para seleccionar CONTENT THEMES (Temas de contenido) para bloquear programas de TV con ciertos tipos de contenido.

Se puede seleccionar:

- D – Diálogos sexualmente explícitos
- FV – Violencia de fantasía
- L – Lenguaje adulto
- S – Situaciones sexuales
- V – Violencia

Consejo

Para regresar al menú anterior, seleccione ↶.

Jugando el juego integrado

Su TV posee un juego integrado que tiene un tablero de juego dividido en cuadros. Usted y su TV toman turnos colocando piezas de juego negras y blancas en los cuadros. Si una pieza de color se ve rodeada por piezas del otro color, la pieza rodeada se remueve. Cuando un jugador obtiene todas las piezas o llena todos los ojos, el juego termina. El jugador con la mayoría de piezas gana.

Para jugar el juego integrado:

- 1 Presione el botón **GAME** (Juego) en su control remoto.
- 2 Presione el botón **CH**△ o **CH**▽ en su control remoto para moverse hacia arriba o abajo, o presione el botón **VOL**▷ o **VOL**◁ en su control remoto para moverse a la derecha o izquierda.
- 3 Presione el botón **MENU** en su control remoto cuando tenga su pieza de juego en el cuadro que desea.
- 4 Pulsar el botón **GAME** (Juego) de nuevo para cerrar el juego.

Uso de la visualización de pantalla (OSD)

Su TV tiene una visualización de pantalla (OSD) que usted utiliza para ajustar su TV.

Para usar el OSD:

- 1 Presione el botón **MENU** en su control remoto o TV para abrir el OSD.
- 2 Presione el botón **MENU** de nuevo para seleccionar un menú.
- 3 Presione el botón **CH**△ o **CH**▽ en su control remoto o en su TV para seleccionar una opción.
- 4 Presione el botón **VOL**▷ o **VOL**◁ en su control remoto o presione el botón **VOL**△ o **VOL**▽ en su TV para cambiar la opción.
- 5 Presione el botón **MENU** en su control remoto o TV una o más veces para cerrar el OSD.

Los menús y las opciones del OSD

Menu (Menú)	Opción
Picture (imagen)	<p>CONTRAST (Contraste) – Aumenta el nivel de la imagen para ajustar sus áreas blancas. Reduce el nivel de la imagen para ajustar sus áreas negras.</p> <p>BRIGHTNESS (Brillo) – Aumenta el brillo para agregar más luz a las áreas oscuras de la imagen. Reduce el brillo para agregar más oscuridad a las áreas iluminadas de la imagen.</p> <p>COLOR – Ajusta el color global de la imagen.</p> <p>SHARPNESS (Nitidez) – Aumenta el nivel de nitidez para mostrar imágenes más limpias y claras. Reduce el nivel para mostrar una imagen más suavizada.</p> <p>TINT (Tinte) – Aumenta el nivel de color para agregar más verde a los tonos de piel. Reduce el nivel de color para agregar más rojo a los tonos de piel.</p> <p>COLOR TEMP (Temperatura de color) – Seleccione una temperatura de color. Puede seleccionar NORMAL, WARM (Caliente), o COLD (Frío).</p> <p>COMB FILTER (Filtro tipo peine) – Activa o desactiva el filtro tipo peine. El filtro tipo peine aísla el brillo y la transmisión de la señal de color para mejorar la imagen. Esta opción solamente esta disponible en algunos modelos.</p>
Sound (sonido)	<p>VOLUME (Volumen) – Aumenta y reduce el volumen.</p> <p>TREBLE (Agudos) – Ajusta los agudos.</p> <p>BASS (Graves) – Ajusta los graves.</p> <p>BALANCE – Ajusta el balance entre los tomas de altavoces derecho e izquierdo.</p> <p>SURROUND (Envolvente) – Activa o desactiva el sonido envolvente.</p>

Menu (Menú)	Opción
Tuning (Sintonizar)	<p>CHANNEL (Canal) – Selecciona el canal de televisión. Presione los botones de volumen en el control remoto o en el TV o use los botones de números para ingresar número del canal.</p> <p>DELETE CH (Borrar canal) – Borra el canal de televisión listado en la opción CHANNEL (canal). Si selecciona YES (sí), el canal se borrará de la lista de canales. Si selecciona NO, su TV cambia de canal al listado en la opción CHANNEL (canal).</p> <p>SOURCE (Fuente) – Selecciona la fuente de la señal de TV. Seleccione AIR (aire) para una antena VHF/UHF. Seleccione CABLE para una conexión de TV por cable.</p> <p>AUTO SEARCH (Búsqueda automática) – Escanea los canales para encontrar señales disponibles, luego crea y almacena una lista de canales.</p>
FUNCTION (Función)	<p>LANGUAGE (Idioma) – Selecciona el idioma del OSD.</p> <p>SCREEN (Pantalla) – Selecciona el fondo de la pantalla cuando el TV se encuentra encendido y no recibe una señal. Puede seleccionar entre OFF (Apagado), BLUE BACK (Fondo azul), o SAVER (Salva pantallas).</p> <p>CHILD LOCK (Bloqueo paternal) – Activa y desactiva el bloqueo paternal. Cuando selecciona esta opción, debe ingresar una contraseña de cuatro dígitos. La contraseña preestablecida es MUTE+999.</p> <p>CCD–Selecciona el modo de subtítulos. Puede conmutar entre OFF (Desactivados), C1, C2, C3, C4, T1, T2, T3 y T4.</p> <p>V-CHIP (Chip-V) – Ajusta el chip-V para bloquear y desbloquear programas. Para obtener más información, vea “Ajustando los controles paternos” en la página 64.</p>

Especificaciones

NS-14FTV

Sistema de recepción	TV: NTSC AV: NTSC3.58 @ 60 Hz
Funciones	A/V frontal y lateral S-Video Audífonos CCD Chip-V Bloqueo paternal AV estéreo
Salida de sonido	1 W
Fuente de alimentación	120 V CA
Pilas del control remoto	1.5 V (2)
Consumo de energía especificado	70 W
Dimensiones A x P x A	16.54 x 15.08 x 13.92 pulgadas (42.01 x 38.3 x 35.36 cm)
Peso	24.25 lb. (11.0 kg)

NS-20FTV

Sistema de recepción	TV: NTSC AV: NTSC3.58 @ 60 Hz
Funciones	A/V frontal y lateral S-Video Audífonos CCD Chip-V Bloqueo paternal AV estéreo
Salida de sonido	2 W
Fuente de alimentación	120 V CA
Pilas del control remoto	1.5 V (2)
Consumo de energía especificado	75 W
Dimensiones A x P x A	23.15 x 18.54 x 17.87 pulgadas (58.8 x 47.09 x 45.39 cm)
Peso	52.25 lbs (23.7 kg)

Control remoto

Sistema de transmisión	Infrarrojo
Rango de control	27.9 pies (8.5 m)
Baterías	AAA 1.5 V (2)
Ángulo de control	30° horizontal
Dimensiones A x P x A	2.1 x 6.8 x 1.0 pulgadas (5.33 x 17.27 x 2.54 cm)
Peso	2.72 onzas (77.11 g)

Solución de problemas

Problema	Solución
La imagen muestra interferencia y el sonido no está claro	Asegúrese de que la antena exterior esté conectada correctamente. Reubique la antena exterior.
La pantalla muestra imágenes dobles o triples, pero el sonido está claro	Las imágenes múltiples se llaman "ghosting" (fantasmas). Conecte su TV a una antena exterior. Asegúrese de que use cables y terminaciones de alta calidad. Reubique la antena exterior.
La imagen tiene líneas (ondas) y el sonido está distorsionado	Interferencia eléctrica puede ser causada por autos y motocicletas. La interferencia eléctrica se puede causar también por lámparas fluorescentes y otros aparatos. Pruebe conectar su TV en otro tomacorriente, preferiblemente un tomacorriente en otro circuito.
No hay sonido	Asegúrese de que el control de volumen está arriba y que la función de silenciamiento está apagada.

Problema	Solución
No hay imagen o sonido	Asegúrese de que el cable de alimentación esta enchufado en un tomacorriente que funcione. Asegúrese de que el brillo y contraste no esté ajustado demasiado bajo.
La imagen no tiene color	Ajuste los controles de color.
La imagen esta desordenada	Cambie de canal.
La imagen tiene manchas	El color se puede ver afectado si mueve su TV, si enciende aparatos como aspiradoras cerca de su combo TV o si se colocan imanes demasiado cerca de su TV. Apague su TV usando el botón de alimentación en el TV (no el del control remoto). Deje su TV apagado por lo menos por 15 minutos. Si la imagen todavía tiene manchas, apague su TV y déjelo apagado por toda la noche.

Mantenimiento

Desconecte su TV del tomacorriente de pared antes de limpiarlo.

No use limpiadores líquidos o en aerosol.

Limpie la caja con un paño suave humedecido con agua. No rocíe agua directamente sobre la pantalla o el exterior.

Avisos legales

Derechos de reproducción

© 2006 Insignia. Insignia y el logotipo de Insignia son marcas de Best Buy Enterprise Services, Inc. Otras marcas y nombres de productos son marcas o marcas registradas de sus dueños respectivos. Las especificaciones y características están sujetas a cambio sin aviso previo u obligación.

Declaración de la FCC

Notificación de la FCC

Dispositivo digital de clase B

Este equipo ha sido sometido a prueba y se ha determinado que satisface los límites establecidos para ser clasificado como dispositivo digital de Clase B, de acuerdo con la Parte 15 del reglamento FCC.

Estos límites están diseñados para proporcionar una protección razonable contra interferencias dañinas cuando el equipo funciona en un ambiente residencial. Este equipo genera, usa y puede emitir energía de radiofrecuencia, y si no se instala y usa de acuerdo con el manual de instrucciones, este aparato puede causar interferencias perjudiciales a las comunicaciones de radio.

Cuidado



Conforme con 47CFR, Parte 15.21 de las reglas de la FCC, cualquier cambio o modificación a este dispositivo no aprobado expresamente por el fabricante puede causar interferencias dañinas y podría invalidar la autoridad del usuario para manejar este dispositivo.

Cuidado



Éste es un producto de CLASE B. En un ambiente residencial, este producto puede causar interferencias de radio, en cuyo caso el usuario quizás deba tomar las medidas adecuadas para eliminar la interferencia.

INSIGNIA™

Distributed by Insignia™ Products
Distribué par Insignia™ Products
Distribuido por Insignia™ Products

7601 Penn Avenue South,
Richfield, MN USA 55423-3645
www.Insignia-Products.com

© 2005 Insignia™ Products

All rights reserved. All other products and brand names are trademarks of their respective owners.

© 2005 produits Insignia™

Tous droits réservés. Tous les autres produits ou noms de marques sont des marques de commerce qui appartiennent à leurs propriétaires respectifs.

© 2005 productos Insignia™

Todos los derechos reservados. Todos los demás productos y marcas son marcas comerciales de sus respectivos dueños.