

SERVICE MANUAL

BA-4 CHASSIS

<i>MODEL</i>	<i>COMMANDER</i>	<i>DEST.</i>	<i>CHASSIS NO.</i>
KV-27V40	RM-Y165	US	SCC-S01L-A
KV-27V40	RM-Y165	CND	SCC-S03H-A
KV-27V45	RM-Y167	US	SCC-S01M-A
KV-27V45	RM-Y167	CND	SCC-S03J-A
KV-27V65	RM-Y167	US	SCC-S01N-A
KV-27V65	RM-Y167	CND	SCC-S03K-A
KV-29VL40	RM-Y165	E	SCC-S06B-A
KV-29VL65A	RM-Y167	E	SCC-S06A-A
KV-29VL65C	RM-Y167	E	SCC-S06D-A
KV-29VL85	RM-Y167	E	SCC-S06C-A
KV-29VL95	RM-Y167	E	SCC-S06E-A



KV-27V45



RM-Y167

TRINITRON® COLOR TV
SONY®



SPECIFICATIONS

	KV-27V40 KV-27VL40	KV-27V45 KV-29VL85	KV-27V65 KV-29VL65A/65C KV-29VL95
Power requirements	120V,60Hz	120V,60Hz	120V,60Hz (KV-27V65/29VL95) 220V, 50/60Hz (KV-29VL65A/65C)
Number of inputs/outputs			
Video ¹⁾	2	3	3
S Video ²⁾	1	1	1
Audio ³⁾	2	3	3
Audio Out ⁴⁾	1	1	1
Monitor Out	1	1	1
Speaker output (W)	5Wx2	5W x 2	10WX2
Power Consumption (W)			
In use (max.)	140W	140W	170W
In standby	2W	2W	2W (KV-29VL95) 3W (KV-27V65/29VL65A/65C)
Dimensions (W/H/D)			
(mm)		690 x 575.4 x 503.4mm	
(in.)		27 ^{1/4} x 22 ^{3/4} X19 ^{7/8}	
Mass			
(kg.)		42.4kg	
(lbs.)		93 lbs.	

- ¹⁾ 1 Vp-p 75 ohms unbalanced, sync negative
²⁾ Y: 1 Vp-p 75 ohms unbalanced, sync negative
 C: 0.286 Vp-p (Burst signal), 75 ohms
³⁾ 500 mVrms (100% modulation), Impedance: 47 kilohms
⁴⁾ More than 408 mVrms at the maximum volume setting (variable)

Television system

American TV standard (all models except KV-29VL65A)
 PAL-M, PAL-L, NTSC (KV-29VL65A only)

Channel coverage

VHF:2-13/UHF:14-69/CATV:1-125

Visible screen size

27-inch picture measured (KV-27V40/V45/V65)
 29-inch picture measured (KV-29VL40/65A/65C/85/95)

Actual screen size

27-inch picture measured (KV-27V40/V45/V65)
 29-inch picture measured (KV-29VL40/65A/65C/85/95)

Antenna

75 ohm external terminal for VHF/UHF

Supplied Accessories

Remote commander (w/2 size AA (R6) batteries)
 RM-Y165: (KV-27V40/29VL40)
 RM-Y167: (KV-27V45/65, 29VL65A/65C/85/95)

Optional Accessory

Connecting Cables:
 VMC-810S/820S, VMC-720M, YC-15V/30V
 TV Stand SU-27A3
 VHF, UHF Mixer EAC-66

(●)® SRS (SOUND RETRIEVAL SYSTEM)

The (●) SRS (SOUND RETRIEVAL SYSTEM) is manufactured by Sony Corporation under license from SRS Labs, Inc. It is covered by U.S. Patent No. 4,748,669. Other U.S. and foreign patents pending.

The word 'SRS' and the SRS symbol (●) are registered trademarks of SRS Labs, Inc.

BBE and BBE symbol are trademarks of BBE Sound, Inc. and are licensed by BBE Sound, Inc. under U.S. Patent No. 4,638,258 and 4,482,866.

Design and specifications are subject to change without notice.

TABLE OF CONTENTS

<u>Section</u>	<u>Title</u>	<u>Page</u>	<u>Section</u>	<u>Title</u>	<u>Page</u>
	Warnings and Caution	4			
	Self-Diagnostic Function	4			
	Safety Check Out Instructions	7			
1. GENERAL			6. DIAGRAMS		
	Connecting and Installing the TV	8	6-1.	Block Diagrams.....	35
	Basic Set Up	12	6-2.	Circuit Boards Location.....	38
	Using Your TV.....	12	6-3.	Printed Wiring Boards and Schematic Diagrams	38
	Using Your Menus.....	15		• A Board.....	39
	Operating Video Equipment.....	19		• P Board.....	47
	Operating a Cable Box or DBS Receiver.....	20		• K Board	49
	Troubleshooting.....	20		• HZ Board.....	50
				• E Board	50
				• CV Board.....	51
				• HV Board.....	53
2. DISASSEMBLY			6-4.	Semiconductors.....	55
2-1.	Rear Cover Removal	22	7. EXPLODED VIEWS		
2-2.	Control Switch Removal	22	7-1.	One Tuner Chassis	56
2-3.	Chassis Assembly Removal.....	22		(KV-27V40/27V45/29VL40/29VL85)	
2-4.	Service Position	22	7-2.	Two Tuner Chassis.....	57
2-5.	Picture Tube Removal	23		(KV-27V65/29VL65A/29VL65C/29VL95)	
3. SET-UP ADJUSTMENTS			7-3.	Main Power Switch.....	58
3-1.	Beam Landing.....	24		(KV-29VL65A)	
3-2.	Convergence.....	25	8. ELECTRICAL PARTS LIST		
3-3.	Focus.....	26		• Table of Contents for Parts List.....	59
3-4.	Screen (G2).....	26		• A Board Common Parts List.....	61
3-5.	Method of Setting the Service Adjustment Mode.....	26		• A Board Variant Lists.....	70
3-6.	White Balance Adjustments.....	26		• CV Board Parts List.....	79
4. SAFETY RELATED ADJUSTMENTS		27		• E Board Parts List.....	80
5. CIRCUIT ADJUSTMENTS				• HV Board Parts List.....	81
5-1.	Electrical Adjustment by Remote Commander.....	29		• HZ Board Parts List.....	82
5-2.	A Board Adjustments.....	32		• K Board Parts List.....	83
				• P Board Parts List.....	84
				• Accessories and Packaging.....	86

WARNINGS AND CAUTIONS

CAUTION!

SHORT CIRCUIT THE ANODE OF THE PICTURE TUBE AND THE ANODE CAP TO THE METAL CHASSIS, CRT SHIELD, OR CARBON PAINTED ON THE CRT, AFTER REMOVING THE ANODE.

WARNING!!

AN ISOLATION TRANSFORMER SHOULD BE USED DURING ANY SERVICE TO AVOID POSSIBLE SHOCK HAZARD, BECAUSE OF LIVE CHASSIS. THE CHASSIS OF THIS RECEIVER IS DIRECTLY CONNECTED TO THE AC POWER LINE.

SAFETY-RELATED COMPONENT WARNING!!

COMPONENTS IDENTIFIED BY SHADING AND MARK Δ ON THE SCHEMATIC DIAGRAMS, EXPLODED VIEWS AND IN THE PARTS LIST ARE CRITICAL FOR SAFE OPERATION. REPLACE THESE COMPONENTS WITH SONY PARTS WHOSE PART NUMBERS APPEAR AS SHOWN IN THIS MANUAL OR IN SUPPLEMENTS PUBLISHED BY SONY. CIRCUIT ADJUSTMENTS THAT ARE CRITICAL FOR SAFE OPERATION ARE IDENTIFIED IN THIS MANUAL. FOLLOW THESE PROCEDURES WHENEVER CRITICAL COMPONENTS ARE REPLACED OR IMPROPER OPERATION IS SUSPECTED.

ATTENTION

APRES AVOIR DECONNECTE LE CAP DE L'ANODE, COURT-CIRCUITER L'ANODE DU TUBE CATHODIQUE ET CELUI DE L'ANODE DU CAP AU CHASSIS METALLIQUE DE L'APPAREIL, OU AU COUCHE DE CARBONE PEINTE SUR LE TUBE CATHODIQUE OU AU BLINDAGE DU TUBE CATHODIQUE.

ATTENTION!!

AFIN D'EVITER TOUT RESQUE D'ELECTROCUTION PROVENANT D'UN CHÂSSIS SOUS TENSION, UN TRANSFORMATEUR D'ISOLEMENT DOIT ETRE UTILISÉ LORS DE TOUT DÉPANNAGE. LE CHÂSSIS DE CE RÉCEPTEUR EST DIRECTEMENT RACCORDÉ À L'ALIMENTATION SECTEUR.

ATTENTION AUX COMPOSANTS RELATIFS A LA SECURITE!!

LES COMPOSANTS IDENTIFIES PAR UNE TRAME ET PAR UNE MARQUE Δ SUR LES SCHEMAS DE PRINCIPE, LES VUES EXPLOSEES ET LES LISTES DE PIECES SONT D'UNE IMPORTANCE CRITIQUE POUR LA SECURITE DU FONCTIONNEMENT. NE LES REMPLACER QUE PAR DES COMPOSANTS SONY DONT LE NUMERO DE PIECE EST INDIQUE DANS LE PRESENT MANUEL OU DANS DES SUPPLEMENTS PUBLIES PAR SONY. LES REGLAGES DE CIRCUIT DONT L'IMPORTANCE EST CRITIQUE POUR LA SECURITE DU FONCTIONNEMENT SONT IDENTIFIES DANS LE PRESENT MANUEL. SUIVRE CES PROCEDURES LORS DE CHAQUE REMPLACEMENT DE COMPOSANTS CRITIQUES, OU LORSQU'UN MAUVAIS FONCTIONNEMENT SUSPECTE.

SELF-DIAGNOSTIC FUNCTION

The units in this manual contain a self-diagnostic function. If an error occurs, the STANDBY/TIMER lamp will automatically begin to flash. The number of times the lamp flashes translates to a probable source of the problem. A definition of the STANDBY/TIMER lamp flash indicators is listed in the instruction manual for the user's knowledge and reference. If an error symptom cannot be reproduced, the remote commander can be used to review the failure occurrence data stored in memory to reveal past problems and how often these problems occur.

1. DIAGNOSTIC TEST INDICATORS

When an error occurs, the STANDBY/TIMER lamp will flash a set number of times to indicate the possible cause of the problem. If there is more than one error, the lamp will identify the first of the problem areas.

Results for all of the following diagnostic items are displayed on screen. No error has occurred if the the screen displays a "0" .

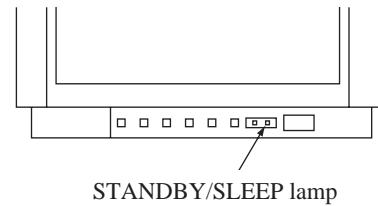
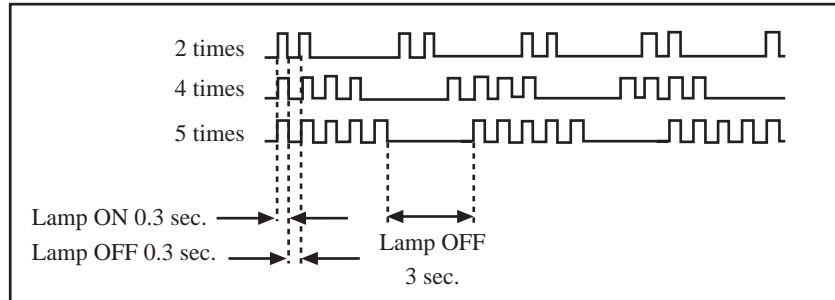
Diagnostic Item Description	No. of times STANDBY/TIMER lamp flashes	Self-diagnostic display/ Diagnostic result	Probable Cause Location	Detected Symptoms
* Power does not turn on	Does not light	—	* Power cord is not plugged in. * Fuse is burned out (F5050) (E Board)	* Power does not come on. * No power is supplied to the TV. * AC power supply is faulty.
* +B overcurrent (OCP)	2 times	2:0 or 2:1	* H.OUT (Q502) is shorted. (A board) * IC1701, Q946, Q947 is shorted. (C board)	* Power does not come on. * Load on power line is shorted.
* Vertical deflection stopped	4 times	4:0 or 4:1	* +13V is not supplied. (A board) * IC 541 is faulty (A board)	* Has entered standby state after horizontal raster. * Vertical deflection pulse is stopped. * Power line is shorted or power supply is stopped.
* White balance failure (not balanced)	5 times	5:0 or 5:1	* Video OUT (Q306, Q307, Q308) is faulty. (A board) * IC301 is faulty. (A board) * G2 is improperly adjusted. (Note 2)	* No raster is generated. * CRT cathode current detection reference pulse output is small.

Note 1: If a +B overcurrent is detected, stoppage of the vertical deflection is detected simultaneously.

The symptom that is diagnosed first by the microcontroller is displayed on the screen.

Note 2: Refer to Screen (G2) Adjustment in Section 3-4 of this manual.

2. DISPLAY OF STANDBY/TIMER LIGHT FLASH COUNT



Diagnostic Item	Flash Count*
+B overcurrent	2 times
Vertical deflection stopped	4 times
White balance failure	5 times

* One flash count is not used for self-diagnostic.

3. STOPPING THE STANDBY/TIMER FLASH

Turn off the power switch on the TV main unit or unplug the power cord from the outlet to stop the STANDBY/TIMER lamp from flashing.

4. SELF-DIAGNOSTIC SCREEN DISPLAY

For errors with symptoms such as "power sometimes shuts off" or "screen sometimes goes out" that cannot be confirmed, it is possible to bring up past occurrences of failure for confirmation on the screen:

[To Bring Up Screen Test]

In standby mode, press buttons on the remote commander sequentially in rapid succession as shown below:

Screen display → channel [5] → Sound volume [−] → Power ON
 ↑

Note that this differs from entering the service mode (sound volume [+]).

Self-Diagnostic screen display

SELF DIAGNOSTIC		
2:		0 <-----Numeral "0" means that no fault has been detected.
3:	N/A	0
4:		0
5:		1 <-----Numeral "1" means a fault has been detected one time only.
101:	N/A	0

5. HANDLING OF SELF-DIAGNOSTIC SCREEN DISPLAY

Since the diagnostic results displayed on the screen are not automatically cleared, always check the self-diagnostic screen during repairs. When you have completed the repairs, clear the result display to "0".

Unless the result display is cleared to "0", the self-diagnostic function will not be able to detect subsequent faults after completion of the repairs.

[Clearing the result display]

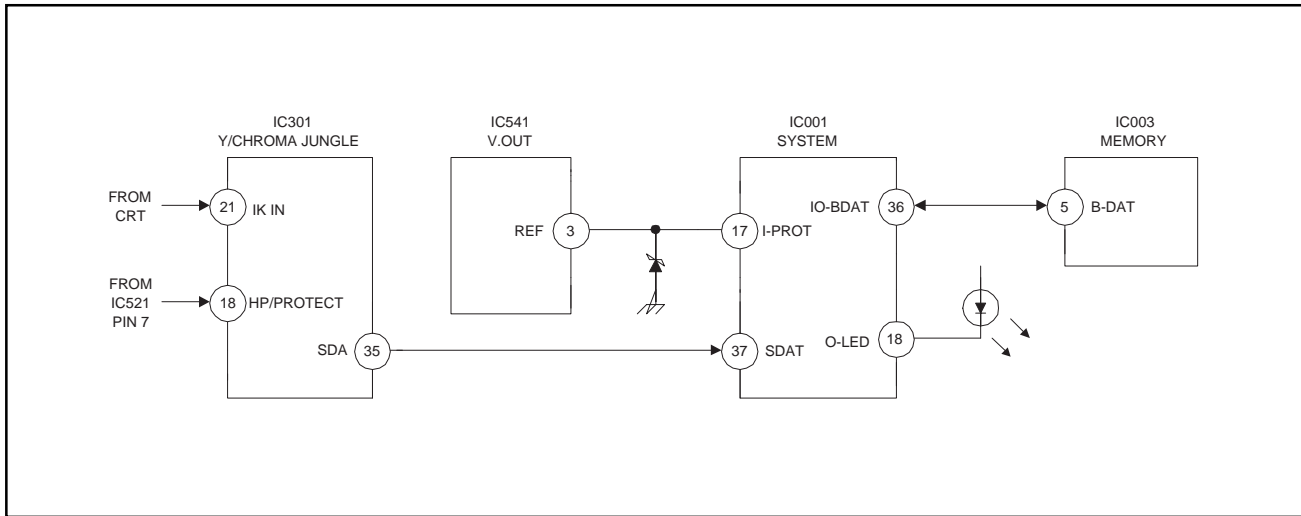
To clear the result display to "0", press buttons on the remote commander sequentially as shown below when the diagnostic screen is being displayed.

Channel [8] → [ENTER]

[Quitting Self-diagnostic screen]

To quit the entire self-diagnostic screen, turn off the power switch on the remote commander or the main unit.

6. SELF-DIAGNOSTIC CIRCUIT



+B overcurrent (OCP)

Occurs when an overcurrent on the +B(115V) line is detected by pin 18 of IC301. If the voltage to pin 18 of IC301 is less than 1V when V.SYNC is more than seven verticals in a period, the unit will automatically turn off.

Vertical deflection stopped

Occurs when an absence of the vertical deflection pulse is detected by pin 17 of IC001. Power supply will shut down when waveform interval exceeds 2 seconds.

White balance failure

If the RGB levels* do not balance within 2 seconds after the power is turned on, this error will be detected by IC301. TV will stay on, but there will be no picture.

*(Refers to the RGB levels of the AKB detection Ref pulse that detects IK.)

SAFETY CHECK-OUT

After correcting the original service problem, perform the following safety checks before releasing the set to the customer:

1. Check the area of your repair for unsoldered or poorly soldered connections. Check the entire board surface for solder splashes and bridges.
2. Check the interboard wiring to ensure that no wires are "pinched" or contact high-wattage resistors.
3. Check that all control knobs, shields, covers, ground straps, and mounting hardware have been replaced. Be absolutely certain that you have replaced all the insulators.
4. Look for unauthorized replacement parts, particularly transistors, that were installed during a previous repair. Point them out to the customer and recommend their replacement.
5. Look for parts which, though functioning, show obvious signs of deterioration. Point them out to the customer and recommend their replacement.
6. Check the line cords for cracks and abrasion. Recommend the replacement of any such line cord to the customer.
7. Check the B+ and HV to see if they are specified values. Make sure your instruments are accurate; be suspicious of your HV meter if sets always have low HV.
8. Check the antenna terminals, metal trim, "metallized" knobs, screws, and all other exposed metal parts for AC Leakage. Check leakage as described below.

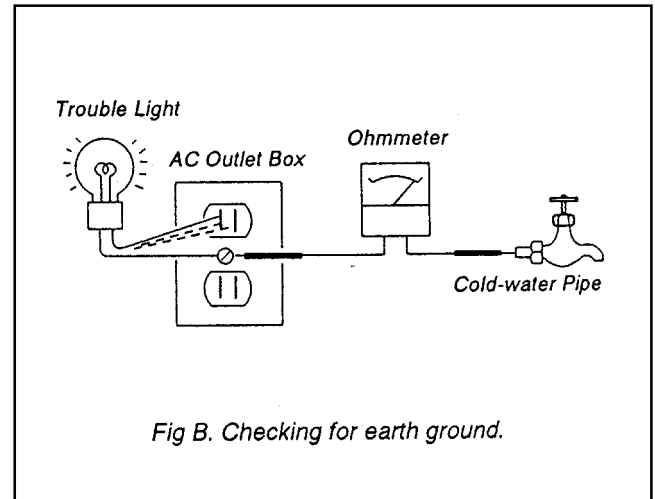
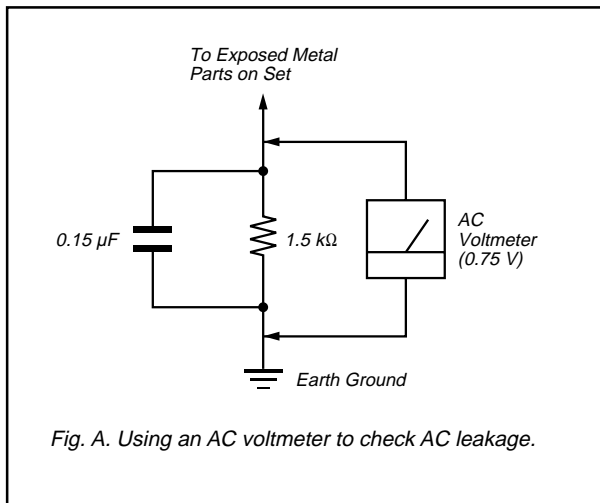
LEAKAGE TEST

The AC leakage from any exposed metal part to earth ground and from all exposed metal parts to any exposed metal part having a return to chassis, must not exceed 0.5 mA (500 microampere). Leakage current can be measured by any one of three methods.

1. A commercial leakage tester, such as the Simpson 229 or RCA WT-540A. Follow the manufacturers' instructions to use these instructions.
2. A battery-operated AC milliammeter. The Data Precision 245 digital multimeter is suitable for this job.
3. Measuring the voltage drop across a resistor by means of a VOM or battery-operated AC voltmeter. The "limit" indication is 0.75 V, so analog meters must have an accurate low voltage scale. The Simpson's 250 and Sanwa SH-63Trd are examples of passive VOMs that are suitable. Nearly all battery operated digital multimeters that have a 2V AC range are suitable. (See Fig. A)

HOW TO FIND A GOOD EARTH GROUND

A cold-water pipe is guaranteed earth ground; the cover-plate retaining screw on most AC outlet boxes is also at earth ground. If the retaining screw is to be used as your earth-ground, verify that it is at ground by measuring the resistance between it and a cold-water pipe with an ohmmeter. The reading should be zero ohms. If a cold-water pipe is not accessible, connect a 60-100 watts trouble light (not a neon lamp) between the hot side of the receptacle and the retaining screw. Try both slots, if necessary, to locate the hot side of the line, the lamp should light at normal brilliance if the screw is at ground potential. (See Fig. B)



SECTION 1 GENERAL

The instructions mentioned here are partial abstracts from the Operating Instruction Manual.
The page numbers shown reflect those of the Operating Instruction Manual.

Connecting and Installing the TV

Making Connections

Refer to the table below, it will direct you to the diagram suitable to the components you will be connecting.

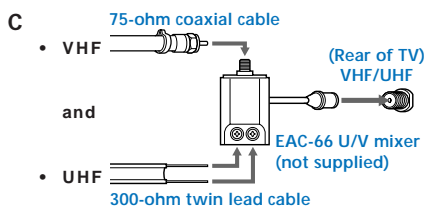
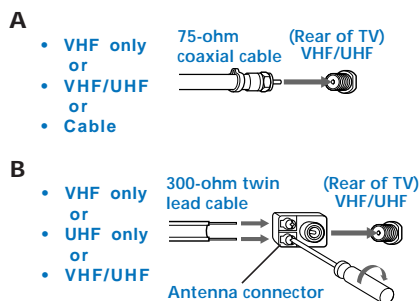
If you will be connecting	See page
Cable or antenna only	5
Cable and antenna (KV-27S65, 27V65 only)	5
Cable box	6
Cable box and cable to view scrambled channels (KV-27S65, 27V65 only)	6
VCR and cable or antenna	7
VCR and cable box	7
Direct Broadcast Satellite Receiver (DBS)	8
VCR and Direct Broadcast Satellite Receiver (DBS)	9
Digital Versatile Disc receiver (DVD)	10
Audio system	10
Two VCRs for tape editing (KV-27V40, 27V45, 27V65 only)	11
Camcorder to view tapes	11

4

Cable or Antenna Connections

Connecting directly to cable or an antenna

The connection you choose will depend on the cable found in your home. Newer homes will be equipped with standard coaxial cable (see **A**); older homes will probably have 300-ohm twin lead cable (see **B**); still other homes may contain both (see **C**).



Note

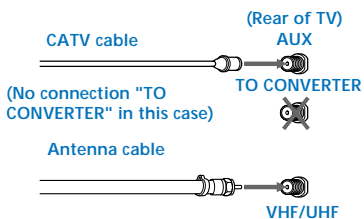
- In order to receive channels with an antenna, you will need to turn your CABLE to OFF (see page 23) and perform the AUTO PROGRAM function.

Cable and antenna

- KV-27S65, 27V65 only

If your cable provider does not feature local channels, you may find this set up convenient.

Select Cable or ANT mode by pressing ANT on the remote control. You will be able to alternate between the two input sources.



5

Connecting and Installing the TV (continued)

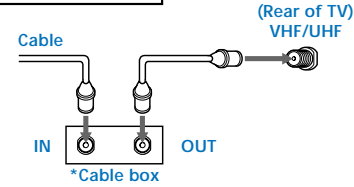
Cable Box Connections

Some pay cable TV systems use scrambled or encoded signals that require a cable box* to view all channels.

Cable box

- 1 Connect the coaxial connector from your cable or antenna to the IN on your cable box.
- 2 Using a coaxial cable, connect OUT on your cable box to VHF/UHF on your TV.

If you will be controlling all channel selection through your cable box, you should consider using the CHANNEL FIX feature discussed on page 23.



Cable box and cable

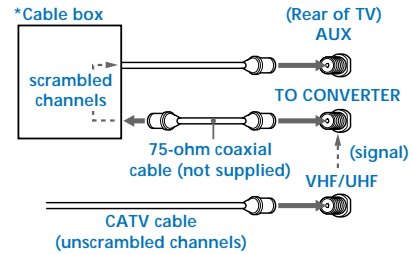
- KV-27S65, 27V65 only

For this set up, you can switch between scrambled channels (through your cable box), and normal (CATV) channels by pressing ANT on your remote control.

Notes

- Your Sony remote control can be programmed to operate your cable box. (see page 28)
- When using PIP, you cannot view the window picture with the AUX input.

If you are connecting a cable box through the AUX input and would like to switch between the AUX and normal (CATV) input you should consider using the CHANNEL FIX feature discussed on page 23.



6

VCR Connections

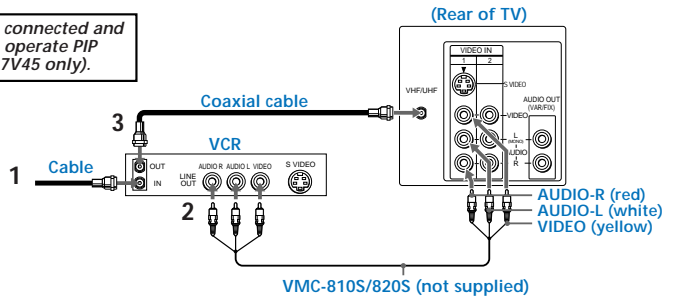
Connecting an antenna/cable TV system with a VCR

- 1 Attach the coaxial connector from your cable or antenna to IN on your VCR.
- 2 Using A/V connectors, connect AUDIO and VIDEO OUT on your VCR to AUDIO and VIDEO IN on your TV (Yellow-VIDEO, White-AUDIO Left, Red-AUDIO Right).*
- 3 Using a coaxial connector, connect OUT on your VCR to VHF/UHF on your TV.

* If you are connecting a monaural VCR, connect only the single white audio output to the left input on your TV.

Disconnect all power sources before making any connections.

VCR must be connected and turned on to operate PIP (KV-27S45, 27V45 only).

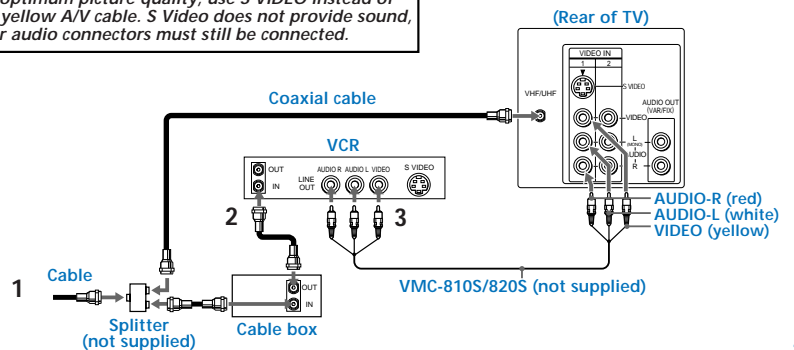


Connecting a VCR and TV with a cable box

You will need a splitter (not supplied) for the following connection.

- 1 Connect the single (input) jack of the splitter to your incoming cable connection. Connect the other two (output) jacks (using coaxial cable) to IN on your cable box and VHF/UHF on your TV.
- 2 Using a coaxial connector, connect OUT on your cable box to IN on your VCR.
- 3 Using A/V connectors, connect AUDIO and VIDEO OUT on your VCR to AUDIO and VIDEO IN on your TV (Yellow-VIDEO, White-AUDIO Left, Red-AUDIO Right).

For optimum picture quality, use S VIDEO instead of the yellow A/V cable. S Video does not provide sound, your audio connectors must still be connected.



7

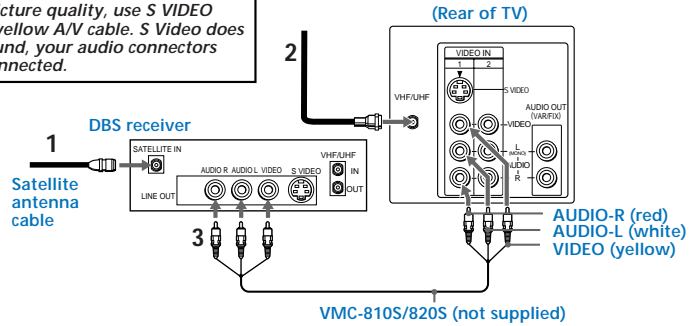
Connecting and Installing the TV (continued)

DBS Connections

Connecting a DBS (Direct Broadcast Satellite) receiver

- 1 Connect the cable from your satellite antenna to your DBS receiver.
- 2 Attach the coaxial connector from your cable or antenna to VHF/UHF on your TV.
- 3 Using A/V connectors, connect AUDIO and VIDEO OUT on your DBS receiver to AUDIO and VIDEO IN on your TV.

For optimum picture quality, use S VIDEO instead of the yellow A/V cable. S Video does not provide sound, your audio connectors must still be connected.



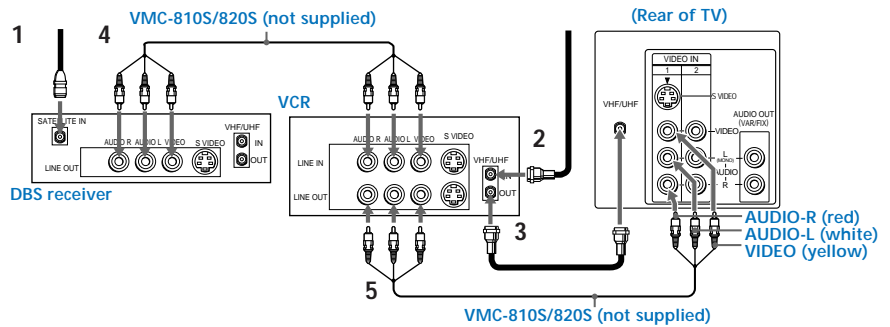
8

DBS Connections (continued)

Connecting a DBS (Direct Broadcast Satellite) receiver and a VCR

- 1 Connect the cable from your satellite antenna to your DBS receiver.
- 2 Attach the coaxial connector from your cable or antenna to VHF/UHF IN on your VCR.
- 3 Using a coaxial connector, connect VHF/UHF OUT on your VCR to VHF/UHF on your TV.
- 4 Using A/V connectors, connect AUDIO and VIDEO OUT on your DBS receiver to AUDIO and VIDEO IN on your VCR.
- 5 Using A/V connectors, connect AUDIO and VIDEO OUT on your VCR to AUDIO and VIDEO IN on your TV.

For optimum picture quality, use S VIDEO instead of the yellow A/V cable. S Video does not provide sound, your audio connectors must still be connected.



Note

- To view from the DBS or VCR, select the video input to which your DBS receiver or VCR is connected by pressing TV/VIDEO on the remote control.

9

Connecting and Installing the TV (continued)

Additional Connections

The following connections are for accessories that will enhance your viewing options.

Connecting a DVD Player

- Using A/V connectors, connect LINE OUT on your DVD to VIDEO IN on your TV (Red-AUDIO Right, White-AUDIO Left, Yellow-VIDEO).

Note

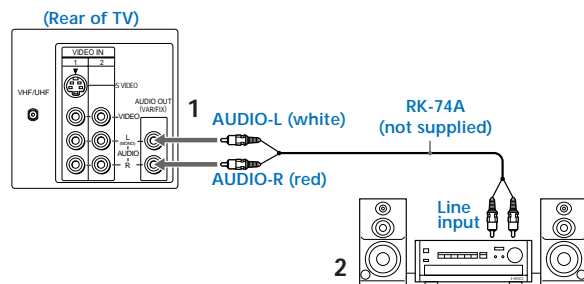
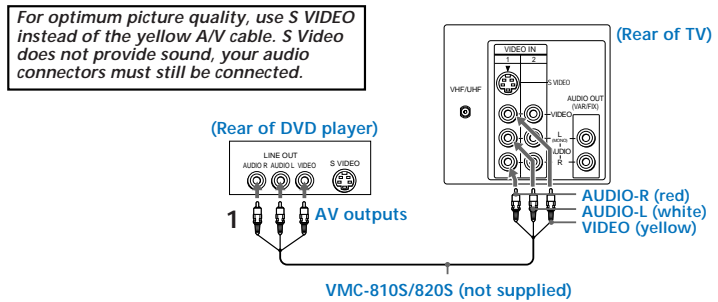
- For the best picture quality, connect the DVD player directly to the TV.

Connecting an audio system

For enhanced sound, connect your audio system to your TV.

- Using AUDIO connectors, connect AUDIO OUT on your TV to one of the unused line inputs (e.g. TV, AUX, TAPE 2) on your stereo (White-AUDIO Left, Red-AUDIO Right).
- Set your stereo to the chosen line input (e.g. TV, AUX, TAPE 2). Refer to page 20 of this manual for additional audio setup instructions.

Disconnect all power sources before making any connections.



10

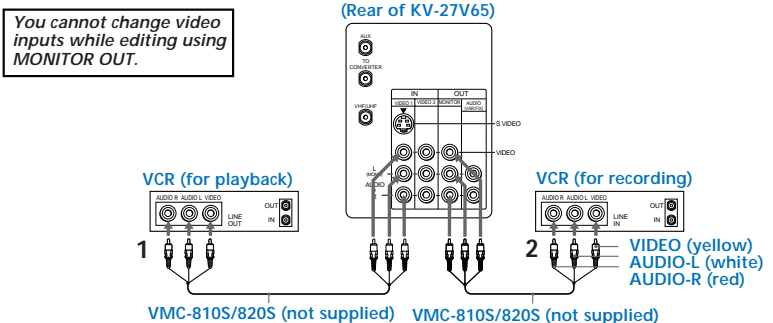
Connecting two VCRs for tape editing using MONITOR OUT

- KV-27V40, 27V45, 27V65 only

MONITOR OUT gives you the ability to use a second VCR to record a program being played by the primary VCR or to perform tape editing and dubbing.

- Connect the VCR intended for playback using the setup instructions on page 7 of this manual.
- Using A/V connectors, connect AUDIO and VIDEO IN on your VCR intended for recording to MONITOR AUDIO and VIDEO OUT on your TV.

Disconnect all power sources before making any connections.



Connecting a camcorder

This connection is convenient for viewing a picture directly from your camcorder.

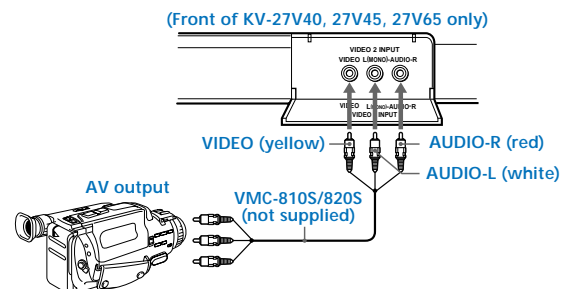
Using A/V connectors, connect AUDIO and VIDEO OUT on your camcorder to AUDIO and VIDEO IN on your TV (Yellow-VIDEO, White-AUDIO Left, Red-AUDIO Right).

Connection can also be made directly to your A/V input located on the rear of your TV.

Note

- If you are connecting a monaural camcorder, connect only the single white audio output to the left input on your TV.

If you have an S Video equipped camcorder, you can use an S Video connection for optimum picture quality.

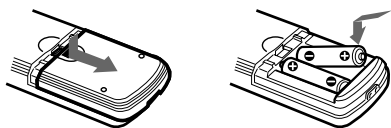


11

Basic Set up

Inserting batteries

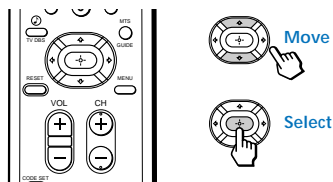
Insert two size AA (R6) batteries (supplied) by matching the + and – on the batteries to the diagram inside the battery compartment.



Notes

- Remove the batteries to avoid damage from possible battery leakage whenever you anticipate that the remote control will not be used for an extended period.
- Handle the remote control with care. Avoid dropping it, getting it wet, or placing it in direct sunlight, near a heater, or where the humidity is high.
- Your remote control can be programmed to operate most video equipment. (see page 26)

Using the remote control, Move & Select buttons



The supplied remote control has "arrow" buttons (↑, ↓, ←, →) which allow for movement of the on-screen selector in four directions. Pressing on the outer buttons will cause the selector to *move* in the corresponding direction. Pressing the center button (⊕) will select the item.

Adjustments bars

When menu items present an adjustment bar (▬▬▬▬▬ or ▬▬▬▬▬), use the arrow buttons to change the setting.

On-Screen Help/Instructions

Several menu windows will provide prompts and instructions to assist you in navigating through the different functions. When presented, use these to supplement the instructions in this manual.

Note

- To reset your TV to factory settings, turn the TV on. Then, while pressing the RESET button, press the POWER key on your TV. The TV will turn itself off, then back on. (except KV-20V80).

Using your New TV

Setting up the TV automatically

The Easy Setup Guide allows you to set the on-screen language and set all receivable channels. The Easy Setup Guide screen appears every time you turn on the TV until you perform AUTO PROGRAM.

The Easy Setup Guide feature does not apply for installations that use a cable box for all channel selection.

To set up the TV manually, refer to "Using the SET UP menu" on page 23.

Tips

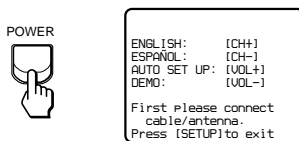
- Perform this function during the day, with the antenna and/or cable properly connected, to ensure that all available channels will be broadcasting and receivable.
- After using the Easy Setup Guide you will still have the option of adjusting any of the system settings, like skipping channels, through the SETUP menu (page 24).
- The TV must be set to the TV input to execute AUTO PROGRAM. Press ANT until a channel number appears.
- If your cable or antenna is connected to AUX, then press ANT until AUX appears next to the channel number. (KV-27S65, 27V65 only)

Using the buttons on the front of the TV:

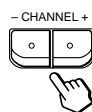


For KV-27V65, the control buttons are located on the top of the TV.

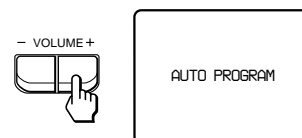
- Press POWER to turn on the TV. The Easy Setup Guide screen appears.



- (except Canadian models) Press CH + to select English screens or CH – to select Spanish screens.



- Press VOL + to continue or VOL – for a DEMO of functions and menus.



AUTO PROGRAM appears and the TV starts scanning and presetting channels automatically. When all the receivable channels are stored, the lowest numbered channel is displayed. If the TV receives cable TV channels, CABLE is set ON automatically.

To perform AUTO SET UP again

- Press SET UP on the TV.
- Press CH + or CH – to select a language.
- Press VOL + to restore factory settings (CONTINUE TO AUTO PROGRAM? will appear on the screen). Press CH + to continue or CH – to exit.
- Press SET UP to exit.

Note

- When you perform AUTO PROGRAM, your CHANNEL FIX, CHANNEL BLOCK and ON/OFF TIMER settings will be erased.

Using your New TV (continued)

Watching the TV

All of the TV features can be accessed via the remote control. The following chart will explain the function of the buttons found on your remote control.



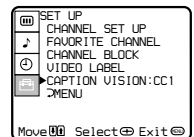
REFER TO THE ILLUSTRATION OF THE REMOTE CONTROL ON THE INSIDE FRONT COVER OF THIS MANUAL AS YOU REVIEW THIS CHART

Using the White Labeled Buttons for TV Operations.	
<p>FUNCTION</p> <p>VTR/DVD DBS/CABLE TV</p>	<p>Activate the remote control for use with the following components: TV, DBS/CABLE, VTR/DVD. Press when you want to control connected components with your remote control. (see pages 26-28 for instructions on programming your remote control)</p>
<p>POWER</p>	<p>Turns the TV on and off. If VIDEO appears on the screen, press TV/VIDEO or ANT until a channel number appears.</p>
<p>0 - 9</p>	<p>Use for direct channel selection. Press 0-9 to select a channel, the channel will change after 2 seconds, or you can press ENTER for immediate selection.</p>
<p>CH</p>	<p>Press to scan through the channels. <i>Keeping the CH + or - pressed allows you to rapidly scan to the desired channel.</i></p>
<p>JUMP</p>	<p>Press to alternate or <i>jump</i> back and forth between two channels. You can jump between the last two channels selected with the 0-9 keys.</p>
<p>MUTING</p>	<p>Press to mute the sound (MUTING will appear on the screen). Press again or press VOL + to restore sound.</p>

14

Using the White Labeled Buttons for TV Operations.	
<p>FREEZE</p>	<p>Press to freeze the window picture while in PIP mode. If you are not in PIP mode, pressing FREEZE will cause the main picture to freeze into a window picture. <i>Great for copying down phone numbers, addresses, recipes, etc.</i></p>
<p>SLEEP</p>	<p>Press repeatedly until the TV displays the approximate time in minutes (30, 60, or 90) that you want the TV to remain on before shutting off automatically. Cancel by pressing until SLEEP OFF appears.</p>
<p>DISPLAY</p>	<p>Press repeatedly to step through available displays:</p> <p>Status Channel number, current time, channel caption (if set) and Multi-Channel TV Sound (MTS) are displayed. <i>The MTS mode indication disappears after three seconds.</i></p> <p>CAPTION VISION CAPTION VISION will be displayed on the screen if the broadcaster offers this service. (see right) To cancel the display, press DISPLAY repeatedly until DISPLAY OFF appears. <i>DISPLAY OFF disappears after three seconds.</i></p>
<p>TV/VIDEO</p>	<p>Press repeatedly to step through available video inputs:</p> <p>TV and VIDEO 1 (KV-27S40 only) TV, VIDEO 1 and VIDEO 2 (KV-20V80, 27S45, 27S65, 27V40 only) TV, VIDEO 1, VIDEO 2 and VIDEO 3 (KV-27V45, 27V65 only)</p>
<p>ANT</p> <p>(AUX input)</p>	<p>Press to change the VHF/UHF input to the AUX input (KV-27S65, 27V65 only). <i>For detailed connection information, see "Cable and antenna" or "Cable box and cable" on pages 5-6.</i></p>
<p>TV/VTR</p>	<p>Press when you are finished using a VCR and you want to switch to the TV input. Your VCR power will remain on.</p>
<p>MTS</p> <p>GUIDE</p>	<p>Press this button to cycle through the Multi-channel TV Sound (MTS) options. (see page 21). GUIDE is a feature of DBS, refer to your DBS operation instructions.</p>

CAPTION VISION (Closed Caption)



Some programs are broadcast with CAPTION VISION.

CC1, 2, 3 or 4

Shows you a printed version of the dialog or sound effects of a program. (The mode should be set to CC1 for most programs)

TEXT1, 2, 3 or 4

Shows you network/station information presented using either half or the whole screen. It is not usually related to the program.

XDS (Extended Data Service)

Shows a network name, program name, program length, and time of the show if the broadcaster offers this service.

Note

- Poor reception of TV programs can cause errors in CAPTION VISION and XDS. Captions may appear with a white box or other errors instead of intended text.

15

Using your New TV (continued)

Watching two programs at one time - PIP

The Picture-in-Picture (PIP) feature allows you to view two channels simultaneously, one in the full size “main” picture and one in a smaller “window” picture. This means that two separate tuners must be available to provide the two signals.

Certain models (KV-27S45, 27V45 only) are equipped with a single tuner. This simply means that a VCR must be connected and turned on for PIP to operate.

Tip

To ensure a correct single tuner PIP connection (KV-27S45, 27V45 only), make sure the following list is complete before using PIP:

- A cable or antenna is connected to the VCR
- The VCR is connected to your TV
- The VCR is turned on

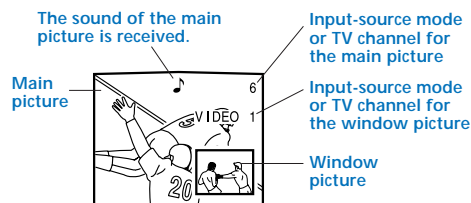
(for detailed connection information, see pages 5-7)

Note

- You must press TV (FUNCTION) before you can control PIP with the yellow labeled buttons.



REFER TO THE ILLUSTRATION OF THE REMOTE CONTROL ON THE INSIDE FRONT COVER OF THIS MANUAL AS YOU REVIEW THIS CHART



Use the Yellow Labeled Buttons for PIP Operations.	
	Press once to display the window picture (1/9 size). Press again to reduce the size of the window picture (1/16 size). Press a third time to remove the window picture.
	Press repeatedly to step through available video inputs: TV, VIDEO 1, VIDEO 2, and VIDEO 3 (KV-27S45, 27S65, 27V45, 27V65 only) <i>If you have a single tuner, your PIP input source is the VCR.</i>
	Press to alternate sound between the main picture and the window picture. A 🎵 will appear for a few seconds to indicate which picture is receiving sound.

Use the Yellow Labeled Buttons for PIP Operations.	
TV/VTR + CH -	Press to change the TV channel in the window picture. (KV-27S65, 27V65 only) For models KV-27S45, 27V45, you must press VTR/DVD (FUNCTION), then use the main CH +/- buttons to change channels. (see right)
POSITION 	Press to move the location of the window picture (counterclockwise) around the main picture.
FREEZE 	Press to freeze the window picture. Great for copying down phone numbers, addresses, recipes, etc. <i>Press FREEZE again to restore the previous screen(s).</i>
SWAP 	Press to switch the audio and video of the main picture and the window picture. Each time you press SWAP, the picture and sound of the two will be swapped. <i>Any channels being received through the AUX jack cannot be displayed as a window picture. (KV-27S65, 27V65 only)</i>

Changing channels with a single tuner PIP

- KV-27S45, 27V45 only
 - 1 Press TV/VIDEO until you reach the TV input.
 - 2 Press PIP (the window picture appears).

To change the window picture:

- 1 Press VTR/DVD (FUNCTION).
- 2 Press the main CH +/- buttons to change channels.

To change the main picture:

- 1 Press TV (FUNCTION).
- 2 Press the main CH +/- buttons to change channels.

Note

- If you have the same program in both the window and the main picture and cannot change the channel in the window; press TV/VIDEO until you reach the TV input in the main picture.

Using your Menus

Learning menu selection

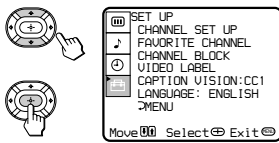
Use the MENU button to access a menu and use the select buttons (▲ or ▼) to alter settings. Use the following example, in which we activate the CABLE, to learn how to modify settings.

1 Press the MENU button.

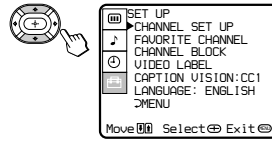
The main menu appears.



2 Press ▲ or ▼ to highlight the desired menu (in this case SET UP) and press (→) to select it.

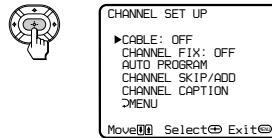


3 Press ▲ or ▼ to move to the desired option.

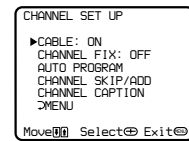


4 Press (→).

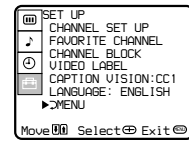
Options for your selection will be displayed.



5 Press ▲ or ▼ to make your selection and press (→).



When you are finished making changes to the selected menu, choose (→)MENU to return to the main menu.

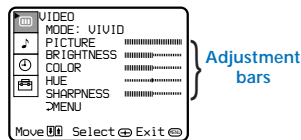


Notes

- Pressing MENU on the remote control will allow you to exit from the menus at any time.
- If any menu items are "blacked out", press the ANT button on your remote control until a channel number appears.

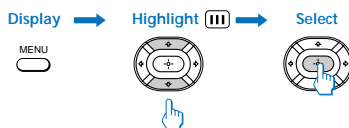
18

Using the VIDEO menu



For detailed information on using the remote to modify menu settings, refer to "Learning menu selection" on page 18.

To select the VIDEO (III) menu:



To restore the factory VIDEO settings

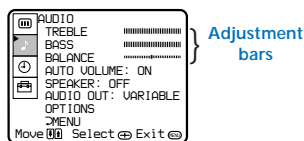
Press RESET while the VIDEO menu is displayed.

MODE <i>Customized picture viewing</i>	(except KV-20V80) VIVID: Select to receive a vivid, bright picture. STANDARD: Select to receive a standard picture. MOVIE: Select to receive a softened picture.
PICTURE <i>Picture Adjustment</i>	Adjust left to decrease picture contrast and soften the color. Adjust right to increase picture contrast and create more vivid color.
BRIGHTNESS <i>Picture Adjustment</i>	Adjust left to darken the picture. Adjust right to brighten the picture.
COLOR <i>Picture Adjustment</i>	Adjust left to decrease color intensity. Adjust right to increase color intensity.
HUE <i>Picture Adjustment</i>	Adjust left to decrease the green tones. Adjust right to increase the green tones.
SHARPNESS <i>Picture Adjustment</i>	Adjust left to soften the picture. Adjust right to sharpen the picture.

19

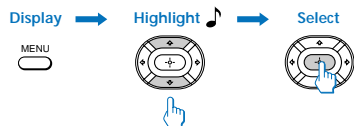
Using your Menus (continued)

Using the AUDIO menu



For detailed information on using the remote to modify menu settings, refer to “Learning menu selection” on page 18.

To select the AUDIO menu:



To restore the factory AUDIO settings

Press RESET while the AUDIO menu is displayed.

Tip

Press for direct selection of an AUDIO setting.

TREBLE	Adjust left or right to decrease or increase higher pitched sound
BASS	Adjust left or right to decrease or increase low pitched sounds.
BALANCE	Adjust left or right to emphasize speaker volume.
AUTO VOLUME <i>Stabilizes volume</i>	(KV-27V40, 27V45, 27V65 only). ON: Select to stabilize the volume when changing channels. OFF: Select to turn AUTO VOLUME off.
SPEAKER <i>Custom selection of audio output source</i>	ON: Select to listen to the sound from the TV speakers and a separate stereo system. OFF: Select to turn off the TV speakers and listen to the TV's sound only through external audio system speakers.
AUDIO OUT <i>Use to control the TV's volume through a stereo</i>	AUDIO OUT can only be set when speakers are set to OFF. VARIABLE: Sound output varies according to the TV settings. <i>Useful when you want to use your remote control to control the output of a separate audio system.</i> FIXED: Sound output is held at a fixed level through your stereo.

OPTIONS

Enhanced audio options

With the OPTIONS menu open:

- 1 Press to access the feature you want to change.
- 2 Press or to cycle through the options.

MTS: Press or to select one of the following options:

STEREO: Select for stereo reception when viewing a broadcast in stereo.

SAP: Select to listen to bilingual broadcast. (Non-SAP programs will be muted when this feature is selected.)

MONO: Select for mono reception (use to reduce noise during stereo broadcasts.)

Quick MTS access: Press MTS on your remote control to cycle through the MTS options.

EFFECT: Press or to select one of these customized effects based on the program you are viewing:

SRS: Produces a dynamic three dimensional sound for stereo audio signals.

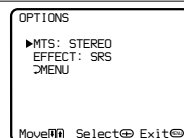
(KV-27V40, 27V45, 27V65 only)

SURROUND: Simulates theater quality sound (only for stereo programs).

(KV-20V80, 27S40, 27S45, 27S65 only)

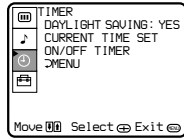
SIMULATED: Adds a surround-like effect to mono programs.

(KV-27V40, 27V45, 27V65 only)



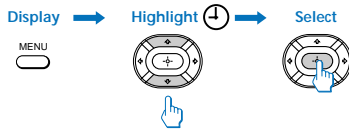
Using your Menus (continued)

Using the TIMER menu



For detailed information on using the remote to modify menu settings, refer to “Learning menu selection” on page 18.

To select the TIMER menu:



To cancel the ON/OFF TIMER function

Press RESET while the TIMER menu is displayed.

Tip

Set daylight saving time before setting the clock. Any loss of power will cause these settings to be erased.

22

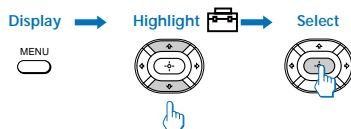
DAYLIGHT SAVING <i>Automatically adjusts the time.</i>	Spring: Select YES to compensate for Daylight Saving Time. <i>The current time automatically moves one hour ahead.</i> Fall: Select NO at the end of Daylight Saving Time. <i>The current time moves back one hour.</i>
CURRENT TIME SET <i>Necessary for the TIMER.</i>	CURRENT TIME SET menu will appear. 1 Press ENTER . 2 Press UP or DOWN until the current day is displayed. Press ENTER to select. 3 Press UP or DOWN until the current hour and AM/PM is displayed. Press ENTER to select. 4 Press UP or DOWN until the current minute is displayed, press ENTER . The clock is set. Press MENU to exit.
ON/OFF TIMER <i>Wake up or scheduled viewing.</i>	ON/OFF TIMER menu will appear. 1 Press ENTER . 2 Press UP or DOWN until the desired day or range of days is displayed. Press ENTER to select. 3 Indicate the time that you want the TV to turn on by pressing UP or DOWN and then ENTER . 4 Set the time duration (maximum of 6 hours) by pressing UP or DOWN and then ENTER . 5 Press UP or DOWN until you reach the desired channel. Press ENTER to select. The ON/OFF TIMER is now set. Press MENU to exit. <i>When you perform AUTO PROGRAM, all ON/OFF TIMER settings will be erased.</i>

Using the SET UP menu



For detailed information on using the remote to modify menu settings, refer to “Learning menu selection” on page 18.

To select the SET UP menu:



Notes

- The FAVORITE CHANNEL feature is not available for the AUX input.
- Your remote control can be programmed to operate your cable box. (see page 28)

CHANNEL SET UP <i>Basic set up options for viewing</i>	With the CHANNEL SET UP menu open: 1 Use UP or DOWN to access the feature you want to change. 2 Press ENTER to select the feature. CABLE: Select ON if your TV is connected to a cable system. (After setting CABLE, you will need to run AUTO PROGRAM.) CHANNEL FIX: Press ENTER and then use the UP or DOWN buttons to set the TV's input to one of the following options: 2-6: When a cable box is connected to the VHF/UHF input. Press DBS/CABLE (FUNCTION) and then CH +/- to change channels. AUX 2-6: When a cable box is connected to AUX and a cable or antenna is connected to VHF/UHF. You can alternate between the two inputs by pressing ANT on the remote control. (KV-27S65, 27V65 only) VIDEO 1: When you have connected video equipment (e.g. A/V receiver) and you want the TV input fixed to it. You will be able to alternate between video sources using the A/V receiver. OFF: When you want to switch CHANNEL FIX off. Press ANT on the remote control until you reach a picture. <i>ON/OFF TIMER and CHANNEL BLOCK settings will be erased when CHANNEL FIX is set.</i> AUTO PROGRAM: Instructs the TV to automatically program all receivable channels. CHANNEL SKIP/ADD:
	With the CHANNEL SKIP/ADD window open: 1 Place the cursor next to SKIP or ADD. (only one option will be displayed) 2 Choose the desired channel using CH +/-, or by selecting with the 0-9 buttons and pressing ENTER. 3 Press ENTER to activate.

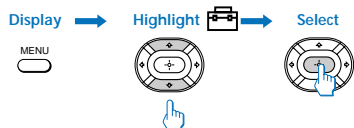
Using your Menus (continued)

Using the SET UP menu (continued)



For detailed information on using the remote to modify menu settings, refer to "Learning menu selection" on page 18.

To select the SET UP menu:



To erase the CHANNEL BLOCK settings

Press RESET while the SET UP menu is displayed.

<p>CHANNEL SET UP (continued) <i>Basic set up options for viewing</i></p>	<p>CHANNEL CAPTION: You will be able to label up to 12 channels with their call letters. (except KV-20V80) With the CHANNEL CAPTION menu open:</p> <ol style="list-style-type: none"> 1 Press \leftarrow and then \uparrow or \downarrow to access the desired channel, and press \rightarrow again. 2 Press \uparrow or \downarrow to display the first letter or number of the caption and press \rightarrow to select it. 3 Press \rightarrow to activate. To erase a caption, press RESET. 	
<p>CHANNEL BLOCK <i>Prevent child access to certain channels.</i></p>	<p>You will be able to block two channels. With the CHANNEL BLOCK window open:</p> <ol style="list-style-type: none"> 1 Choose 1 or 2 and press \rightarrow. 2 Press \uparrow or \downarrow to display the channel you want to block. 3 Press \rightarrow to activate. <p>When you select the blocked channel, BLOCKED will appear on the screen. CAPTION VISION will also be blocked. <i>When you perform AUTO PROGRAM, your CHANNEL BLOCK settings will be erased.</i></p>	

<p>FAVORITE CHANNEL <i>Quick access to favorite channels</i></p>	<p>Setting FAVORITE CHANNEL:</p> <ol style="list-style-type: none"> 1 Press \rightarrow and then \uparrow or \downarrow to select AUTO or MANUAL. (Selecting AUTO will display the last five channels chosen with the remote control.) 2 Press \uparrow or \downarrow to move the cursor to 1, 2, 3, 4 or 5 and press \rightarrow. 3 Press \uparrow or \downarrow to access the desired channel and press \rightarrow. 4 For KV-27S65, 27V65 only, you can preview your favorite channels in the window picture, to do so, set PREVIEW to ON. <p>Using FAVORITE CHANNEL:</p> <ol style="list-style-type: none"> 1 Press \rightarrow when in normal viewing mode. Your FAVORITE CHANNEL options will appear. 2 Press \uparrow or \downarrow to access the channel you want to watch, and press \rightarrow. 3 For models KV-27S65, 27V65 only, if PREVIEW is ON, a window picture displays your favorite channels as you cycle through the options. 	
<p>VIDEO LABEL <i>Easy recognition of connected equipment (e.g. DBS, VHS, etc.)</i></p>	<p>This feature allows you to label each input mode so that you can easily identify connected equipment (e.g. you can label VIDEO 1 as VHS). (except KV-20V80) With the VIDEO LABEL window open:</p> <ol style="list-style-type: none"> 1 Press \uparrow or \downarrow to move to the input mode you want to label and press \rightarrow. 2 Press \uparrow or \downarrow to choose the label and press \rightarrow. <p>VIDEO LABEL Options: Video 1: VHS, 8mm, BETA, LD, GAME, DBS, DVD, WEB, RECEIVER, DTV. Video 2/3: VHS, 8mm, BETA, LD, GAME, DBS, DVD, WEB, RECEIVER, DTV. <i>When VIDEO LABEL is set to WEB, the picture will darken, creating an ideal picture for WebTV viewing.</i></p>	
<p>LANGUAGE</p>	<p>(except Canadian models) You can change the language of your menus to either ENGLISH or ESPAÑOL.</p>	

Operating video equipment

Programming the remote

You can use the supplied remote control to operate Sony or non-Sony video equipment.

- 1 Press CODE SET.
- 2 Press VTR/DVD (FUNCTION).
- 3 Use the 0-9 buttons to key in the manufacturer's code number from the following chart.
- 4 Press ENTER.

VCR manufacturer code numbers

Manufacturer	Code
Sony	301, 302, 303
Aiwa	338, 344
Broksonic	319, 317
Canon	309, 308
Daewoo	341, 312, 309
Emerson	319, 320, 316, 317, 318, 341
Fisher	330, 335
Funai	338
General Electric	329, 304, 309
Go Video	322
Goldstar	332
Hitachi	306, 304, 305, 338
JVC	314, 336, 337, 345, 346, 347
Kenwood	314, 336, 332, 337
LXI (Sears)	332, 305, 330, 335, 338

Magnavox	308, 309, 310
Mitsubishi/MGA	323, 324, 325, 326
NEC	314, 336, 337
Panasonic	308, 309, 306, 307
Philips	308, 309, 310
Pioneer	308
Quasar	308, 309, 306
RCA/PROSCAN	304, 305, 308, 309, 311, 312, 313, 310, 329
Realistic	309, 330, 328, 335, 324, 338
Sansui	314
Samsung	322, 313, 321
Sanyo	330, 335
Sharp	327, 328
Sylvania	308, 309, 338, 310
Symphonic	338
Technics	309, 308
Toshiba	312, 311
Wards	327, 328, 335, 331, 332
Zenith	331

Operating a VCR Buttons on the remote control

To turn on or off	Press VTR (POWER).
To select a channel directly	Press the 0 – 9 buttons.
To change channels	Press CH +/-.
To record	Press ▶ and ● simultaneously.
To play	Press ▶ .

To stop	Press ■ .
To fast forward	Press ▶▶ .
To rewind the tape	Press ◀◀ .
To pause	Press . To resume normal playback, press again or press ▶ .
To search the picture forward or backward	Press ▶▶ or ◀◀ during playback. To resume normal playback, release the button.
To change input mode	Press TV/VTR.

Tips

- In some rare cases, you may not be able to operate your non-Sony video equipment with the supplied remote control. In this case, please use the equipment's own remote control.
- The code numbers for Sony VCR's are assigned at the factory as follows:

VHS VCR	301 (preset code for the supplied remote control)
8 mm VCR	302
Beta, ED Beta VCRs	303

- When you remove the batteries, the code number may revert to the factory setting.

26

MDP (Multi Disc Player) manufacturer code numbers

Manufacturer	Code
Sony	701
Panasonic	704, 710
Pioneer	702

Operating an MDP Buttons on the remote control

To turn on or off	Press VTR/DVD (POWER).
To play	Press ▶ .
To stop	Press ■ .
To pause	Press . To resume normal playback, press again or press ▶ .
To search the picture forward or backward	Press ▶▶ or ◀◀ during playback. To resume normal playback, press ▶ .
To search the chapter forward or backward	Press CH +/-.

DVD (Digital Versatile Disc) manufacturer code numbers

Manufacturer	Code
Sony	751
Panasonic	753
Pioneer	752
RCA	755
Toshiba	754

Operating a DVD player Buttons on the remote control

To turn on or off	Press VTR/DVD (POWER).
To play	Press ▶ .
To stop	Press ■ .
To pause	Press . To resume normal playback, press again or press ▶ .
To search the picture forward or backward	Press ▶▶ or ◀◀ during playback. To resume normal playback, press ▶ .
To search the chapter forward or backward	Press CH +/-.
To select chapters directly	0-9 + ENTER.
MENU	Press to display DVD menu.
To move cursor in menu	Use your arrow buttons ↑ ↓ ← → .

27

Operating a cable box or DBS receiver

Programming the remote

You can program the supplied remote control to operate a cable box or DBS receiver.

- 1 Press CODE SET.
- 2 Press DBS/ CABLE (FUNCTION).
- 3 Use the 0-9 buttons to key in the manufacturer's code number from the following chart.
- 4 Press ENTER.

For more details on operating the cable box or DBS receiver

Refer to the operating instructions that were supplied with the equipment.

If the remote control doesn't work

- First, try repeating the setup procedures using the other codes listed for your equipment.
- Tips** 💡
- If more than one code number is listed, try entering them one by one until you come to the correct code for your equipment.
 - If you enter a new code number, the code number you previously entered at that setting is erased.
 - In some rare cases, you may not be able to operate your equipment with the supplied remote control. In this case, use the equipment's own remote control unit.
 - Whenever you remove the batteries the code numbers may revert to the factory setting and must be reset.

Manufacturer code numbers (cable box)

Manufacturer	Code
Hamlin/Regal	222, 223, 224, 225, 226
Jerold/G. I.	201, 202, 203, 204, 205, 206, 207, 208, 218
Oak	227, 228, 229
Panasonic	219, 220, 221
Pioneer	214, 215
Scientific Atlanta	209, 210, 211
Tocom	216, 217
Zenith	212, 213

Manufacturer code numbers (DBS receiver)

Manufacturer	Code
Sony	801 (preset code for remote control)
General Electric	802
Hitachi	805
Hughes	804
Panasonic	803
RCA/PROSCAN	802, 808
Toshiba	806, 807

Troubleshooting

Consult the table below; it suggests solutions to specific problems. If you need more information, consult the operating instructions guide.

Problem	What it could be	What you can do
Cannot Operate Single Tuner PIP (KV-27S45, 27V45)	<ul style="list-style-type: none"> • VCR may not be connected to your TV properly. • VCR may not be turned on. 	<ul style="list-style-type: none"> • Ensure that you have set your VCR correctly. (see page 7)
A red light keeps flashing on the TV for more than a few seconds	<ul style="list-style-type: none"> • Your TV may need service. 	<ul style="list-style-type: none"> • Call your local Sony service center.
TV makes a noise when turned on	<ul style="list-style-type: none"> • This is a normal function of your TV. 	
Screen is not lit and there is no sound	<ul style="list-style-type: none"> • Power cord may not be plugged in. • Batteries may not have been placed with the correct polarity. • TV/VIDEO setting may be incorrect. 	<ul style="list-style-type: none"> • Press TV/VIDEO until you receive a channel. • Perform AUTO SET UP again by pressing the SET UP button on your TV. (see page 13)
Poor or no picture (screen lit), good sound	<ul style="list-style-type: none"> • VIDEO menu settings may not be adjusted correctly. • Antenna/cable connections may be faulty. • VIDEO LABEL inputs may be set to WEB. (This label darkens the screen for ideal WebTV viewing.) 	<ul style="list-style-type: none"> • Readjust your VIDEO menu settings.(see page 19) • Check your VIDEO LABEL settings. (see page 25)
Good picture, no sound	<ul style="list-style-type: none"> • Sound may be set to MUTE. • Your TV may be set to SAP. • Speaker may not be set correctly. 	<ul style="list-style-type: none"> • Check the MTS setting in the AUDIO menu. (see page 21) • Check your SPEAKER settings. (see page 20)
No color	<ul style="list-style-type: none"> • Color settings may not be adjusted correctly. 	<ul style="list-style-type: none"> • Adjust the COLOR settings in the VIDEO menu. (see page 19)

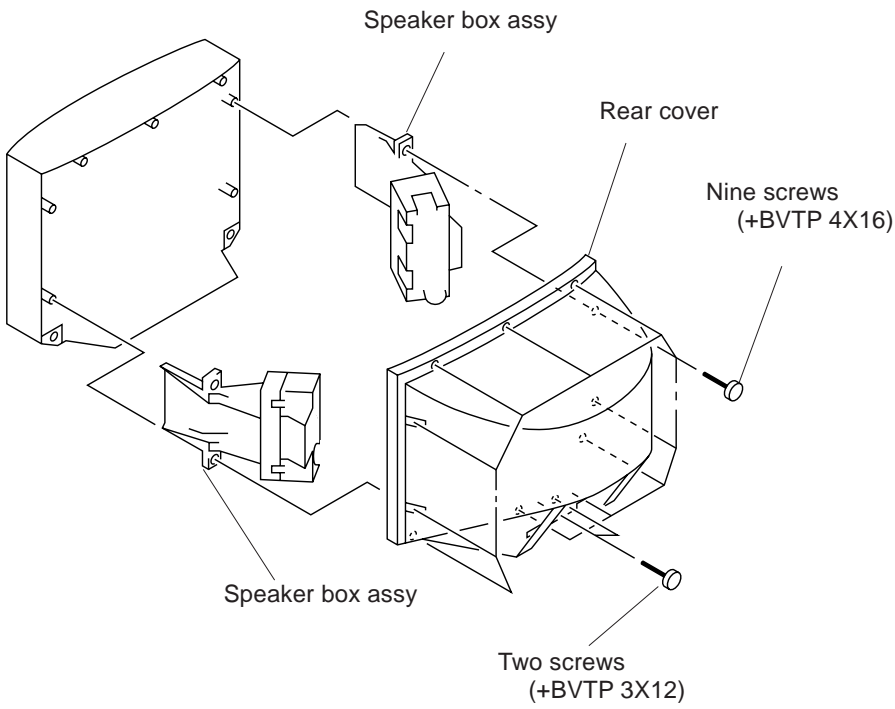

Troubleshooting (continued)

Problem	What it could be	What you can do
Only snow and noise appear on the screen	<ul style="list-style-type: none"> CABLE setting may not be set correctly in the SET UP menu. Antenna/cable connections may not be correct. TV may be set to AUX mode. 	<ul style="list-style-type: none"> Ensure that you have selected the correct CABLE mode in the SET UP menu. (see page 23) Press ANT on your remote control to change the input mode. (see page 15)
Cannot receive upper channels (UHF) when using an antenna	<ul style="list-style-type: none"> CABLE setting may not be correct in the SET UP menu. 	<ul style="list-style-type: none"> Ensure that CABLE is set to OFF in the SET UP menu. (see page 23) Use AUTO PROGRAM to add receivable channels that are not presently in TV memory. (see page 24)
Cannot receive any channels when using cable	<ul style="list-style-type: none"> CABLE setting may not be set correctly in the SET UP menu. 	<ul style="list-style-type: none"> Ensure that CABLE is set to ON in the SET UP menu. (see page 23) Use AUTO PROGRAM to add receivable channels that are not presently in TV memory. (see page 24)
Cannot gain enough volume when using a cable box	<ul style="list-style-type: none"> Volume may not be adjusted on your cable box. 	<ul style="list-style-type: none"> Press TV (FUNCTION) and adjust the TV's volume.
TV is fixed to one channel	<ul style="list-style-type: none"> CHANNEL FIX settings may not be correct. 	<ul style="list-style-type: none"> Check your CHANNEL FIX settings. (see page 23)

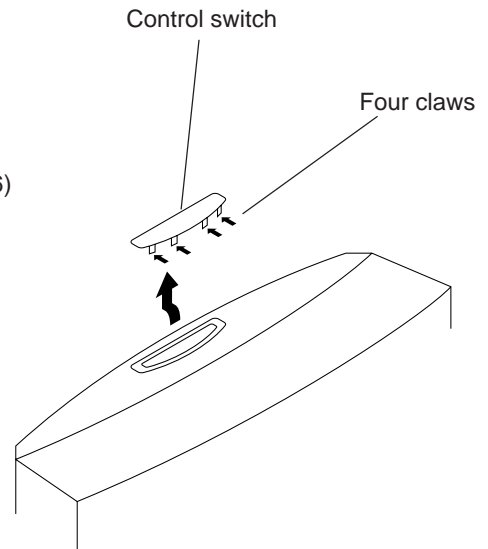
If, after reading these operating instructions, you have additional questions related to the use of your Sony television, please call our Direct Response Center at 1-800-222-SONY (7669).

SECTION 2 DISASSEMBLY

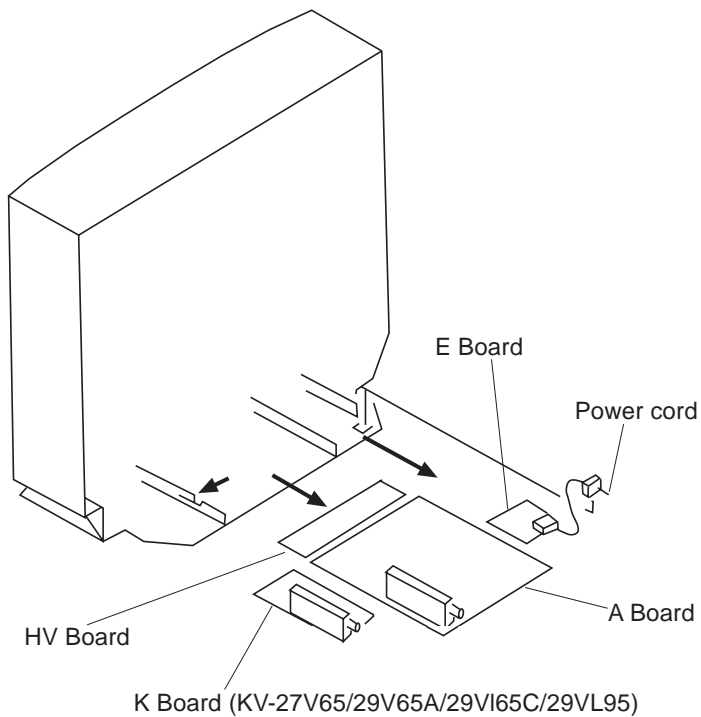
2-1. REAR COVER REMOVAL



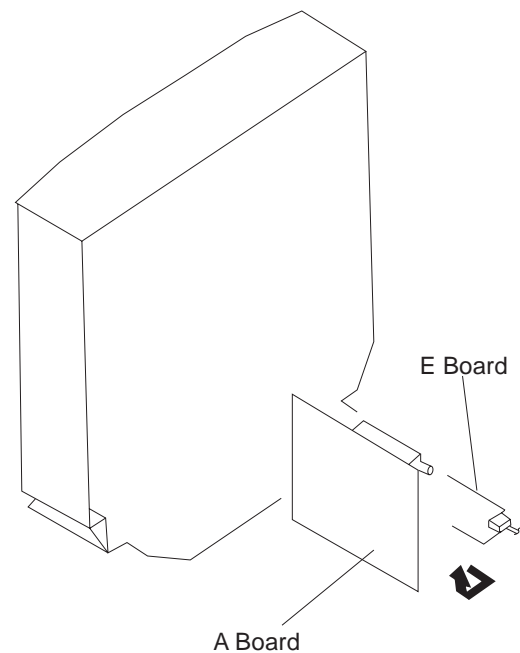
2-2. CONTROL SWITCH REMOVAL (KV-27V65/29VL65A/29VL65C/29VL95 ONLY)



2-3. CHASSIS ASSEMBLY REMOVAL



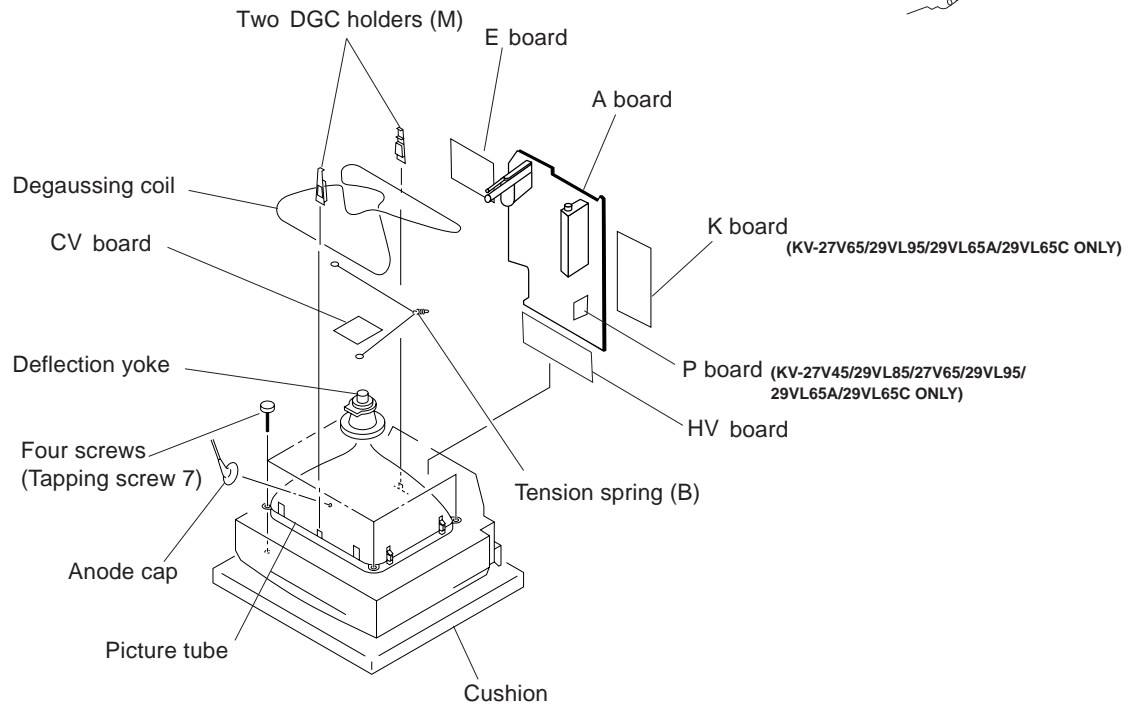
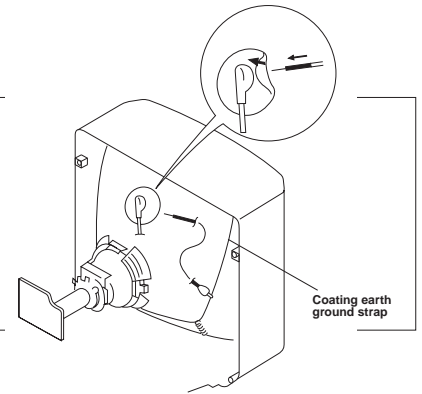
2-4. SERVICE POSITION



2-5. PICTURE TUBE REMOVAL

WARNING: BEFORE REMOVING ANODE CAP

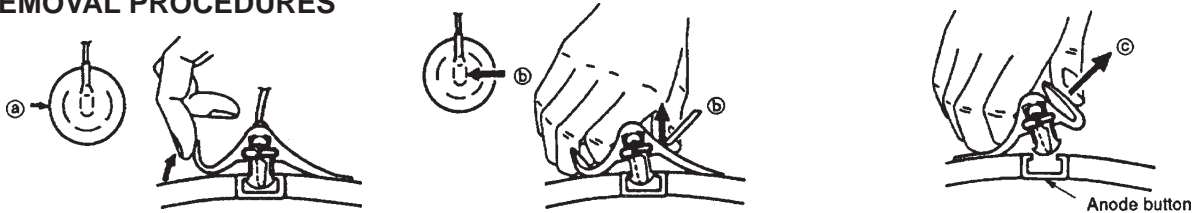
H.V. remains in the CRT even after the power is disconnected. Discharge CRT before attempting to remove the anode cap to avoid electrical shock. Short between anode and CRT coating earth ground strap.



ANODE-CAP REMOVAL

NOTE: Short circuit the anode of the picture tube and the anode cap to the metal chassis, CRT shield or carbon painted on the CRT, after removing the anode.

REMOVAL PROCEDURES



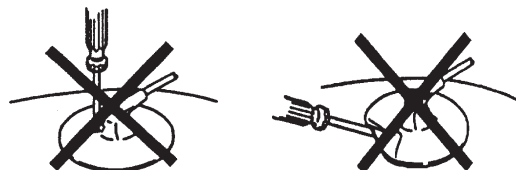
① Turn up one side of the rubber cap in the direction indicated by arrow ①.

② Use your thumb to pull the rubber cap firmly in the direction indicated by arrow ②.

③ When one side of the rubber cap separates from the anode button, the anode-cap can be removed by turning the rubber cap and pulling it in the direction of arrow ③.

HOW TO HANDLE AN ANODE-CAP

- ① Do not use sharp objects which may cause damage to the surface of the anode-cap.
- ② Do not squeeze the rubber covering too hard to avoid damaging the anode-cap. A material fitting called a shatter-hook terminal is built into the rubber.
- ③ Do not force turn the foot of the rubber cover. This may cause the shatter-hook terminal to protrude and damage the rubber.



SECTION 3 SET-UP ADJUSTMENTS

The following adjustments should be made when a complete realignment is required or a new picture tube is installed. These adjustments should be performed with rated power supply voltage unless otherwise noted.

The controls and switch should be set as follows unless otherwise noted:

PICTURE control normal

BRIGHTNESS control normal

Perform the adjustments in order as follows:

1. Beam Landing
2. Convergence
3. Focus
4. Screen (G2) and White Balance

Note: Test Equipment Required

1. Color Bar Pattern Generator
2. Degausser
3. DC Power Supply
4. Digital Multimeter

3-1. BEAM LANDING

Preparation:

- Feed in the white pattern signal.
- Before starting, degauss the entire screen.

1. Input a raster signal with the pattern generator.
2. Loosen the deflection yoke mounting screw, and set the purity control to the center as shown in Fig.2.
3. Turn the raster signal of the pattern generator to green.
4. Move the deflection yoke backward, and adjust with the purity control so that green is in the center and red and blue are at the sides evenly. (Fig.3)
5. Move the deflection yoke forward, and adjust so that the entire screen becomes green. (Fig.1)
6. Switch over the raster signal to red and blue and confirm the condition.
7. When the position of the deflection yoke is determined, tighten it with the deflection yoke mounting screw.
8. When landing at the corner is not right, adjust by using the disk magnets. (Fig.4)

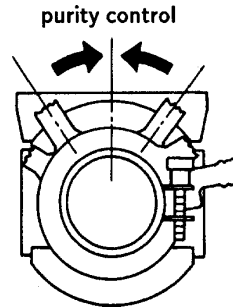


Fig. 2

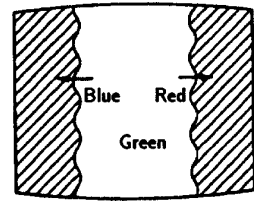


Fig. 3

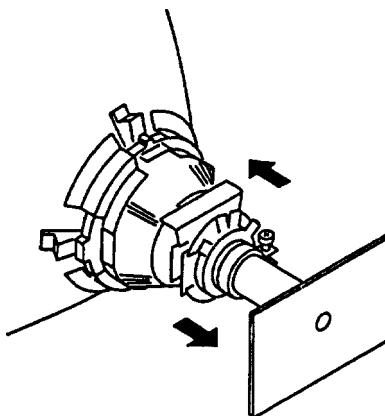


Fig. 1

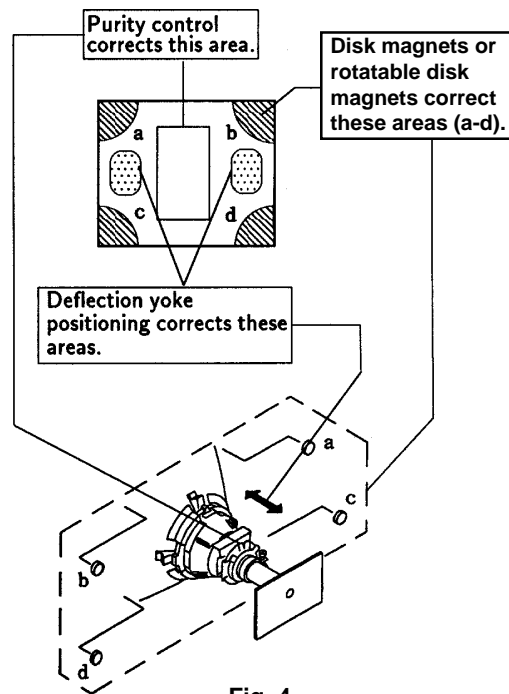


Fig. 4

3-2. CONVERGENCE

Preparation:

- Before starting, perform FOCUS, V. LIN and V. SIZE adjustments.
- Set BRIGHTNESS control to minimum.
- Feed in dot pattern.

(1) Vertical Static Convergence

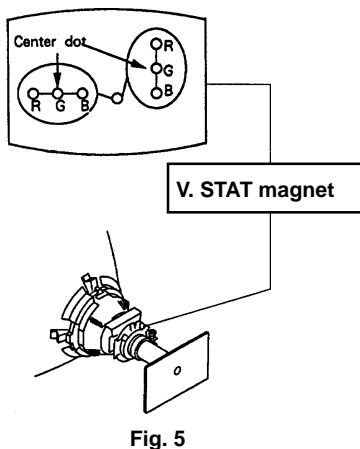
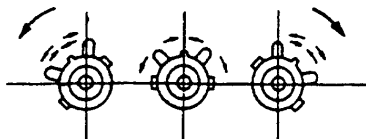


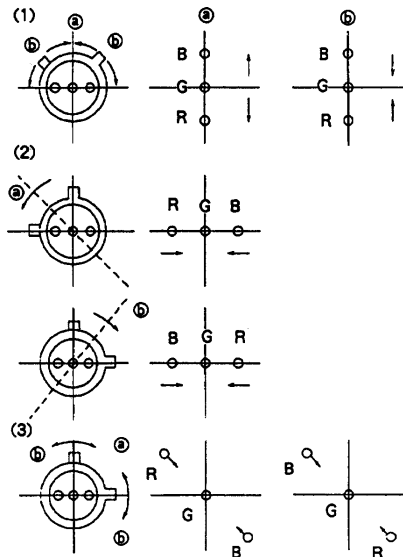
Fig. 5

1. Adjust V. STAT magnet to converge red, green and blue dots in the center of the screen. (Vertical movement)

Tilt the V. STAT magnet and adjust static convergence to open or close the V. STAT magnet.



2. When the V. STAT magnet is moved in the direction of arrow (a) and (b), red, green, and blue dots move as shown below:



If the blue dot does not converge with red and green dots, perform the following steps:

- Move BMC magnet (a) to correct insufficient H. Static convergence.
- Rotate BMC magnet (b) to correct insufficient V. Static convergence.

In either case, repeat Beam Landing Adjustment.

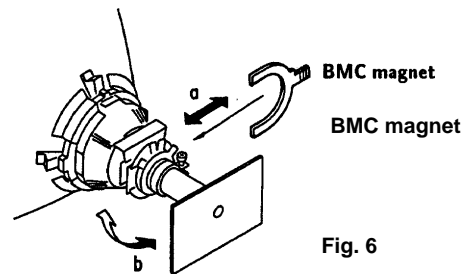


Fig. 6

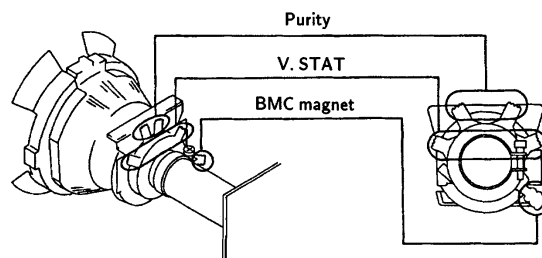


Fig. 7

(2) Dynamic Convergence Adjustment

Preparation:

- Before starting, perform Horizontal and Vertical Static Convergence Adjustment.

1. Slightly loosen deflection yoke screw.
2. Remove deflection yoke spacers.
3. Move the deflection yoke for best convergence as shown below. (Fig. 8)
4. Tighten the deflection yoke screw.
5. Install the deflection yoke spacers.

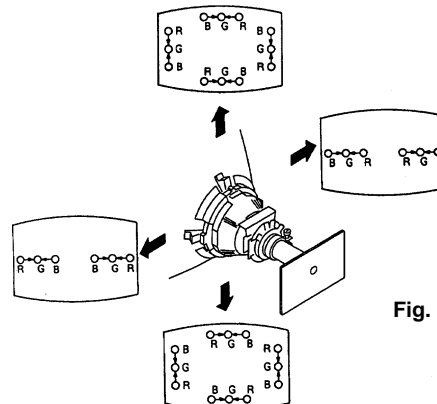


Fig. 8

(3) Screen-corner Convergence

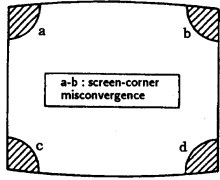
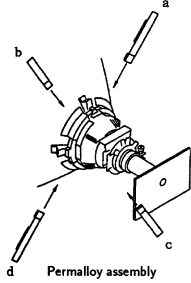


Fig. 9

Affix a permalloy assembly corresponding to the misconverged areas:



3-3. FOCUS

1. Adjust FOCUS control for best picture.

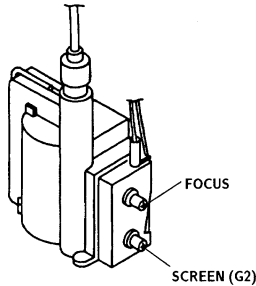


Fig. 10

3-4. SCREEN (G2)

1. Input a dots pattern.
2. Set the PICTURE and BRIGHT controls at minimum and COLOR control at normal.
3. Adjust SBRT, GCUT, BCUT in service mode with an oscilloscope as shown in Fig. 11 so that voltages on the red, green, and blue cathodes are 170Vdc.

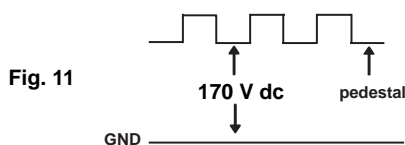


Fig. 11

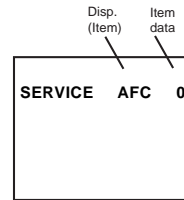
4. Observe the screen and adjust SCREEN (G2) VR to obtain the faintly visible background of dot signal.

3-5. METHOD OF SETTING THE SERVICE ADJUSTMENT MODE

(1) SERVICE MODE PROCEDURE

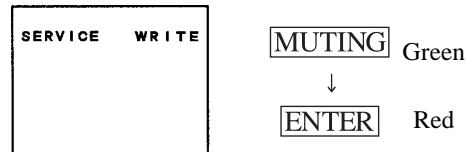
1. Standby mode. (Power off)
2. **DISPLAY** → **5** → **VOL(+)** → **POWER** on the Remote Commander. (Press each button within a second.)

(2) SERVICE ADJUSTMENT MODE IN



3. The CRT displays the item being adjusted.
4. Press **1** or **4** on the Remote Commander to select the item.
5. Press **3** or **6** on the Remote Commander to change the data.
6. Press **MUTING** then **ENTER** to write into memory.

(3) SERVICE ADJUSTMENT MODE MEMORY



7. Turn set off and on to exit.

3-6. WHITE BALANCE ADJUSTMENTS

1. Input an entire white signal.
2. Set to Service adjustment Mode.
3. Set DCOL to "0"
4. Set the PICTURE and BRIGHT to minimum.
5. Adjust with SBRT if necessary.
6. Select GCUT and BCUT with **1** and **4**.
7. Adjust with **3** and **6** for the best white balance.
8. Set the PICTURE and BRIGHT to maximum.
9. Select GDRV and BDRV with **1** and **4**.
10. Adjust with **3** and **6** for the best white balance.
11. Reset DCOL to "1".
12. Write into the memory by pressing **MUTING** then **ENTER**.

SECTION 4 SAFETY RELATED ADJUSTMENTS

A

 BOARD

■ R584 CONFIRMATION METHOD (HV HOLD-DOWN CONFIRMATION) AND READJUSTMENTS

The following adjustments should always be performed when replacing the following components which are marked with ■ on the schematic diagram:

IC301, IC521, IC603, DY, D573, D574 C505, C507, C508, C509, C511, C515, C520, C572, C573, C574, C575, L591, L501, R582, R583, R585, R586, R578, R579, T504 (FBT)

1. Preparation before Confirmation

Using Variac, apply AC input voltage: 120 ± 2 VAC
(or 220 ± 2 VAC for KV-29VL65A/29VL65C ONLY)

- 1) Turn the POWER switch ON.
- 2) Input a white signal and set the PICTURE and BRIGHT controls to maximum.
- 3) Confirm that the voltage between C574 (+) or TP503 and ground is more than: 105VDC.

2. Hold-down Operation Confirmation

- 1) Connect the current meter between Pin 11 of the FBT (T504) and the PCB land where Pin 11 would normally attach. (see figure 1.0 on next page)
- 2) Input a dot signal and set PICTURE and BRIGHTNESS to minimum: $IABL = 100 \pm 100 \mu\text{A}$
- 3) Confirm the voltage of A board TP-600 is 135 ± 3 VDC
- 4) Connect the Digital Voltmeter and the DC power supply via diode 1SS119 to C574 (+). (See figure 1.0 on next page.)
- 5) Increase the DC power voltage gradually until the picture blanks out.
- 6) Turn DC power source off immediately.
- 7) Read the digital voltmeter indication.

STANDARD

Less than or equal to: 141.3 VDC

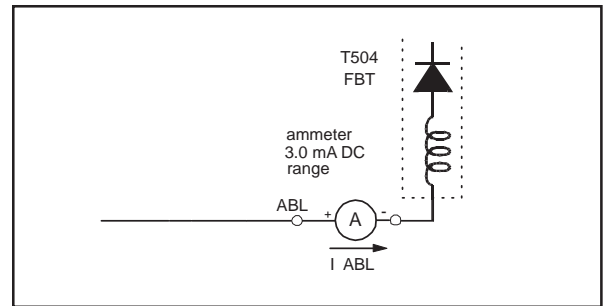
- 8) Input a white signal and set PICTURE and BRIGHTNESS to maximum: $IABL = 1750 \pm 100 \mu\text{A}$
- 9) Repeat steps from (4) to (7).

STANDARD

Less than or equal to: 141.3 VDC

3. Hold-down Readjustment

If the current setting indicated in step 2-2 cannot be met, readjustment should be performed by altering the resistance value of R584, a component marked with ■.



B+ VOLTAGE CONFIRMATION AND ADJUSTMENT

The following adjustments should always be performed when replacing the following components which are marked with ■ on the schematic diagram:

IC603, IC601, R699

- 1) Using Variac, apply AC input voltage: 130 ± 2.0 VAC
(or 220.0 ± 2.0 VAC for KV-29VL65A/29VL65C only).
- 2) Input a dot signal.
- 3) Set the PICTURE control and the BRIGHT control to minimum.
- 4) Set to service adjustment mode.
- 5) Select PADJ with **[1]** and **[4]**.
- 6) Adjust with **[6]** to the 0 level.
- 7) Confirm the voltage of A BOARD TP-600 is less than 138 VDC.
- 8) If step 7 is not satisfied, replace the components, repeat the above steps.
- 9) Adjust with **[3]** and **[6]** for: 135 ± 3 VDC
- 10) Write into the memory by pressing **[MUTING]** then **[ENTER]**.

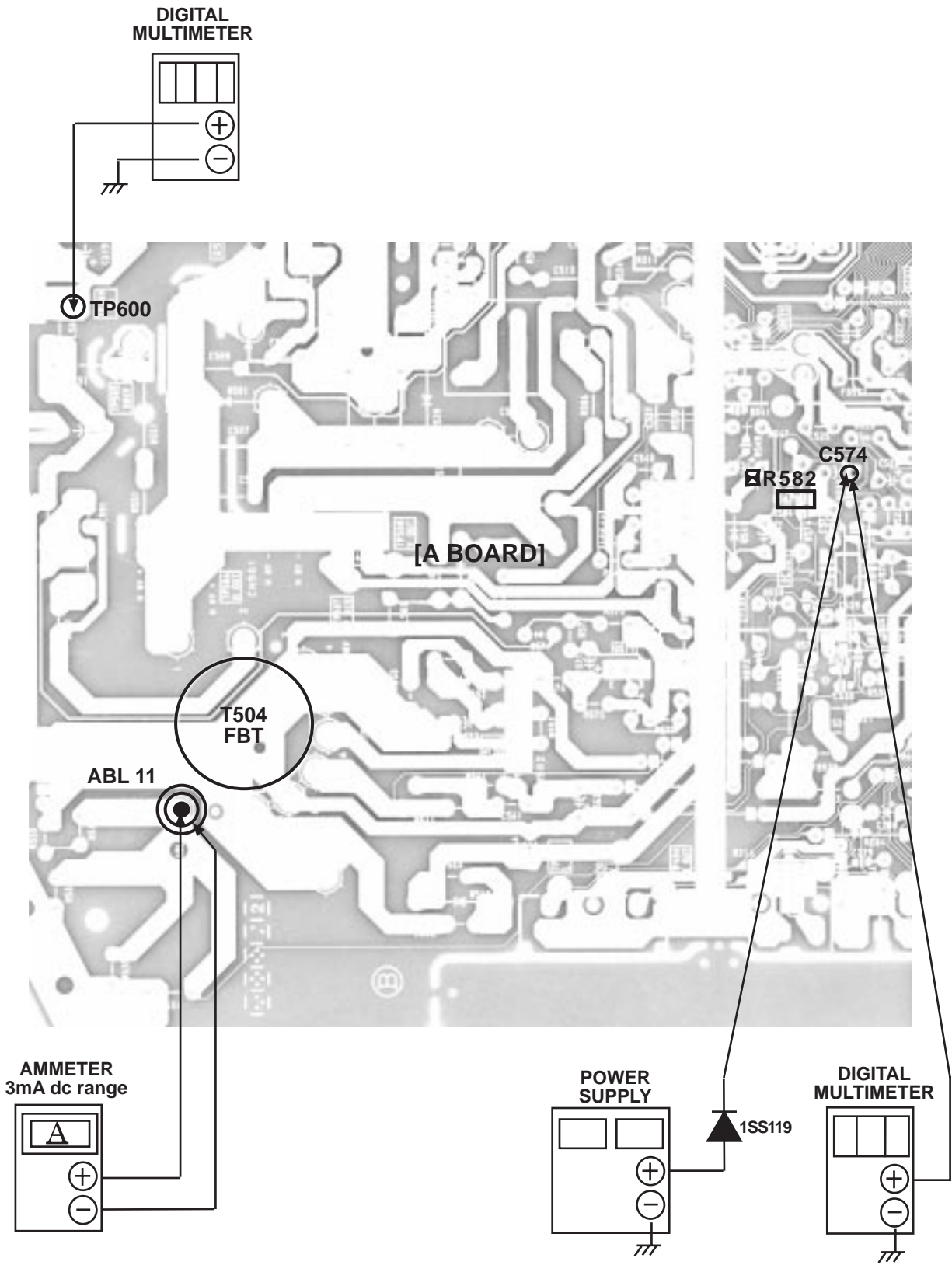


Figure 1.0

SECTION 5 CIRCUIT ADJUSTMENTS

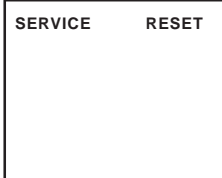
5-1. ELECTRICAL ADJUSTMENT BY REMOTE COMMANDER

Use Remote Commander (RM-Y167) to perform circuit adjustments on this model.

NOTE : Test Equipment Required:

1. Pattern Generator
2. Frequency Counter
3. Digital Multimeter
4. Audio OSC

7. Press **8** then **ENTER** on the Remote Commander to initialize.



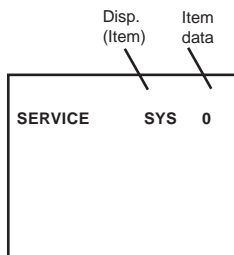
Carry out step 7 when adjusting IDs 0 to 4 and when replacing and adjusting IC003.

(1) Method of Setting the Service Adjustment Mode

SERVICE MODE PROCEDURE

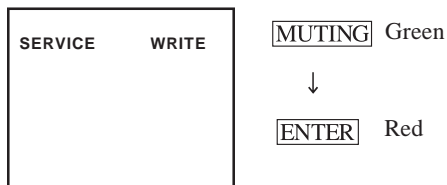
1. Standby mode. (Power off)
2. **DISPLAY** → **5** → **VOL (+)** → **POWER** on the Remote Commander. (Press each button within a second.)

SERVICE ADJUSTMENT MODE IN



3. The CRT displays the item being adjusted.
4. Press **1** or **4** on the Remote Commander to select the item.
5. Press **3** or **6** on the Remote Commander to change the data.
6. Press **MUTING** then **ENTER** to write into memory.

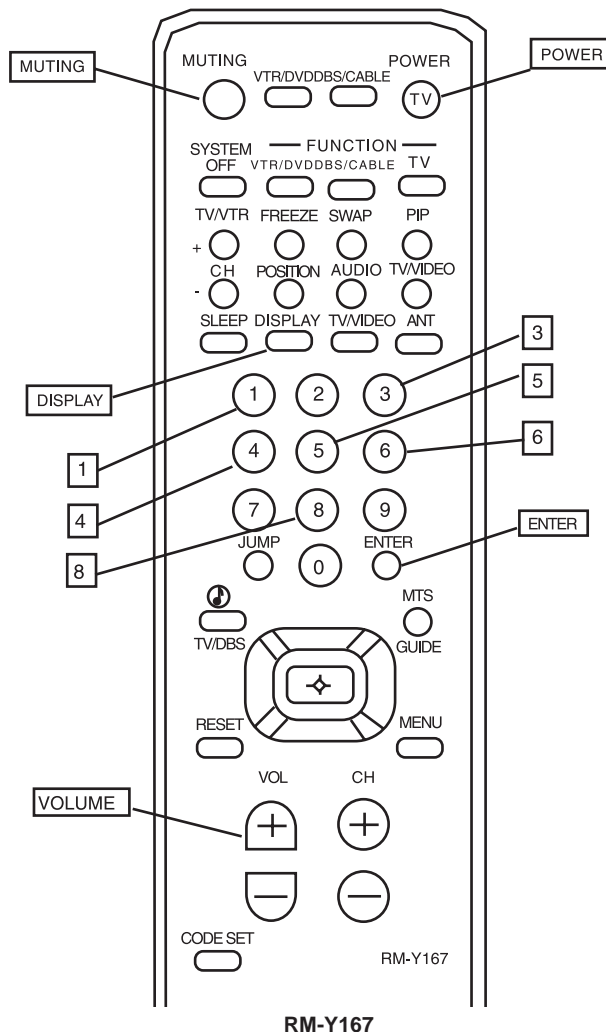
SERVICE ADJUSTMENT MODE MEMORY



(2) Memory Write Confirmation Method

1. After adjustment, pull out the plug from the AC outlet, then replace the plug in the AC outlet again.
2. Turn the power switch ON and set to service mode.
3. Call the adjusted items again to confirm they were adjusted.

(3) Adjust Buttons and Indicator



(4) Item of Adjustments

NO.	ITEM	FUNCTION	DATA RANGE	INITIAL DATA				AVERAGE DATA
				NTSC	PAL-M	PAL-N	VIDEO	
1	HSIZ	HORIZONTAL AMP. ADJ.	0-63	45	45	45		48
2	HPOS	HORIZONTAL POS. ADJ.	0-63	10	10	10		10
3	VBOW	VRT LINE BOWING ADJ.	0-15	6				6
4	VANG	VRT LINE BOW SLANT ADJ.	0-15	5				5
5	TRAP	HORIZ. TRAPEZOID ADJ.	0-15	7				5
6	PAMP	HORIZ. PIN DISTORTION ADJ.	0-63	20	20	20		30
7	CPIN	SAME AS PAMP-SCRN TP/BTM	0-63	40	40	40		30
8	VSIZ	VERTICAL AMP. ADJUST	0-63	31	31	38		35
9	VPOS	VERTICAL POSITION ADJ.	0-63	35	35	35		35
10	VLIN	VERTICAL LINEARITY ADJ.	0-15	6	6	6		6
11	SCOR	VERTICAL AMOUNT ADJ.	0-15	8	8	8		8
12	VZOM	16:9 CRT Z MODE ON/OFF	0,1	0				0
13	EHT	VRT HI-VOLT. CORRECTION	0-15	4				4
14	ASP	ASPECT RATIO CONTROL	0-63	47				47
15	SCRL	16:9 CRT Z MODE TRAN SCRL	0-63	31				31
16	HBLK	RGB OUT WIDTH CONTROL	0,1	1				1
17	LBLK	LEFT SCREEN HBLK CONTROL	0-15	15				15
18	RBLK	RGT SCREEN HBLK CONTROL	0-15	3				3
19	VUSN	V SAW WAVEFORM COMPRES	0,1	0				0
20	HDW	H. DRIVE PULSE WIDTH	0,1	0				0
21	EWDC	EW/DC ADJUST	0,1	0				0
22	LVLN	SCREEN BTM VRT LIN ADJUST	0-15	0				0
23	UVLN	SCREEN TOP VRT LIN ADJUST	0-15	0				0
24	RDRV	R OUTPUT DRIVE CONTROL	0-63	35				40
25	GDRV	G OUTPUT DRIVE CONTROL	0-63	30				35
26	BDRV	B OUTPUT DRIVE CONTROL	0-63	30				35
27	RCUT	R OUTPUT CUTOFF CONTROL	0-15	10				7
28	GCUT	G OUTPUT CUTOFF CONTROL	0-15	7				5
29	BCUT	B OUTPUT CUTOFF CONTROL	0-15	7				5
30	DCOL	DYNAMIC COLOR ON/OFF	0,1	0				1
31	SHUE	SUB HUE	0-31	14				8
32	SCOL	SUB COLOR	0-31	14	14	14		14
33	SBRT	SUB BRIGHTNESS	0-31	11				12
34	RON	R OUTPUT ON/OFF	0,1	1				1
35	GON	G OUTPUT ON/OFF	0,1	1				1
36	BON	B OUTPUT ON/OFF	0,1	1				1
37	AXPL	AXIS PAL	0,1	0				0
38	AXNT	AXIS NTSC	0,1	0				0
39	CBPF	CHROMA BPF ON/OFF	0,1	0*, 1**				
40	CTRP	Y TRAP FILTER ON/OFF	0,1	1*, 0**				
41	COFF	COLOR ON/OFF	0,1	0				0
42	KOFF	SET COLOR KILLER	0,1	0				0
43	SSHP	SUB SHARPNESS	0-15	6				6
44	SHPF	SHARPNESS CIRCUIT F0	0,1	1			1	1
45	PREL	PRE/OVR SHOOT SWITCHING	0,1	1				1
46	Y-DC	DC TRANS RATIO SWITCHING	0,1	1				1
47	GAMM	GAMMA CORRECTION AMNT	0-3	0				0
48	ABLM	ABL MODE SWITCHING	0,1	1				1
49	VTH	ABL C D VTH SWITCHING	0,1	1				1
50	YDEL	Y DELAY TIME CONTROL	0-15	7				7
51	NCOL	NO COLOR ID	0,1	1				1
52	FSC	FSC OUT ON/OFF	0,1	1*, 0**				
53	K-ID	KILLER ID CONTROL SW	0,1	0				0
54	HOSC	H VCO OSCILLATION FREQ	0-15	7				7
55	VSS	V SYNC SLICE LEVEL	0,1	0				0
56	HSS	H SYNC SLICE LEVEL	0,1	0				0
57	HMSK		0,1	1				1
58	VTMS	SELECT SIGNAL VTIM PIN	0-3	0				0
59	CDMD	V CNT DWN MODE SWITCHING	0-3	0			1	
60	AFC	AFC LOOP GAIN SWITCHING	0-3	0			0	

NO.	ITEM	FUNCTION	DATA RANGE	INITIAL DATA				AVERAGE DATA
				NTSC	PAL-M	PAL-N	VIDEO	
61	FIFR	FIELD FREQUENCY	0-3	3*, 1**				
62	SBAL	SUB BALANCE	0-31	14				14
63	DISP	OSD POSITION	0-127	15				15
64	PADJ	POWER ADJUSTMENT	0-63	3				3
65	PSHP	PIP SUB SHARPNESS	0-15	7				7
66	PPIX	PIP SUB CONTRAST	0-15	7				7
67	PHUE	PIP SUB HUE	0-15	3				3
68	PCOL	PIP SUB COLOR	0-15	5	5	5		5
69	PTRP	PIP C TRAP F0	0-15	7				7
70	PAFC	PIP AFC	0-3	1			1	1
71	PYDR	PIP Y DRIVE	0-31	14				14
72	UPED	U PED	0-15	8				8
73	VPED	V PED	0-15	8				8
74	U2PE	U2 PED	0-15	5				5
75	V2PE	V2 PED	0-15	5				5
76	Y2DR	Y2 DRIVE	0-31	20				20
77	U2DR	U2 DRIVE	0-31	18				18
78	V2DR	V2 DRIVE	0-31	9				9
79	PSFO	PIP SHP F0	0,1	1				1
80	PCD2	PIP CD MODE 2	0,1	1			1	1
81	PDCT	PIP DC TRAN	0-7	4				4
82	PP/O	PIP PRE/OVER	0-3	1				1
83	PDLY	PIP Y DELAY	0-3	0				0
84	PBG	PIP BG	0-15	5				5
85	PEXT	PIP EXT COLOR	0,1	1*, 0**				1** 0*
86	PHMK		0,1	0				0
87	ABL0		0,1	0				0
88	ABL1		0-7	1				1
89	PHPO	PIP HORIZONTAL POSITION	0-63	58				58
90	PVPO	PIP VERTICAL POSITION	0-31	18				18
91	PYSD	PIP YS DELAY	0-15	1				1
92	PYDL	PIP Y INPUT DELAY	0-7	0				0
93	PHVI	PIP HV SYNC	0,1	0				0
94	PCLP	PIP CLAMP	0-3	0				0
95	PCLK	PIP CLOCK	0,1	1				1
96	PIHS	INSET HORIZONTAL SYNC	0-15	2				2
97	PIVS	INSET VERTICAL SYNC	0-63	22				22
98	PMVS	MAIN VERTICAL SYN	0-63	17				17
99	PCON	PIP CONTRAST	0-15	10				10
100	PFRY	PIP FRAME Y	0-15	5				5
101	PFRC	PIP FRAME CHROMA	0-255	0				0
102	PFRW	PIP FRAME WIDTH	0-31	20				20
103	PSEL	PIP SEL	0,1	1				1
104	PPLL	PIP PLL	0-3	0				0
105	PVPE	PIP V PED	0-15	0				0
106	PUPE	PIP U PED	0-15	0				0

* NTSC MODELS
** TRINORMA MODELS

SERVICE ID0 25

Note: No. 1 through 106 show adjustment order.

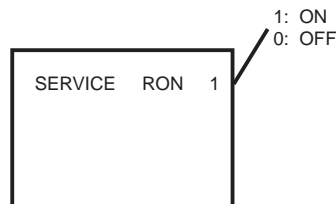
(5) Feature ID Map

	KV-	DESTINATION	ID-0	ID-1	ID-2	ID-3	ID-4	ID-5	ID-6	ID-7
1	27V40	(US)	153	19	173	194	31	1	0	64
2	27V40	(CND)	129	19	173	194	31	1	0	64
3	27V45	(US)	153	23	173	194	31	1	1	64
4	27V45	(CND)	129	23	173	194	31	1	1	64
5	27V65	(US)	153	23	175	194	31	1	7	64
6	27V65	(CND)	129	23	175	194	31	1	7	64
7	29VL40	(E)	145	19	173	194	63	1	0	64
8	29VL65A	(E)	151	23	175	195	55	1	7	64
9	29VL65C	(E)	145	23	175	194	63	1	7	64
10	29VL85	(E)	145	23	173	194	63	1	1	64
11	29VL95	(E)	145	23	175	194	63	1	7	64

5-2. A BOARD ADJUSTMENTS

H. FREQUENCY ADJUSTMENT

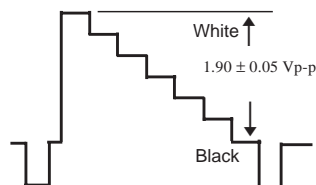
1. Input a monoscope signal.
2. Set to Service adjustment Mode.
3. Connect a frequency counter to base of Q501 (TP-500 H. DRIVE).
4. Select the item of AFC, set to 3 level (free run).
5. Check H. Frequency for the 15735 ± 200 Hz. (NTSC) or check H. Frequency for the 15650 ± 200 Hz. (Trinorma)
6. Select the item of AFC again, adjust the level "0".
7. Write into the memory by pressing **MUTING** then **ENTER**.



6. Connect an oscilloscope probe to C Board, CN1702 Pin ⑤ (R OUT).
7. Select RDRV with **1** and **4**.
8. Adjust with **3** and **6** for: 1.90 ± 0.05 Vp-p.

V. FREQUENCY ADJUSTMENT

1. Select video 1 with no signal input.
2. Set the conditions with standard setting.
3. Connect the frequency counter across TP-508 or CN501 VDY (+) pin ⑥ connector and ground.
4. Check V. Frequency for the 60 ± 2 Hz (NTSC)
5. Check V. Frequency for the 50 ± 2 Hz (Trinorma).



9. Reset the item DCOL to "1" level.
10. Write the memory by pressing **MUTING** then **ENTER**.
11. Return the following back to normal after adjustment.

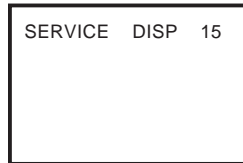
SUB CONTRACT ADJUSTMENT (SCON)

1. Input a color-bar signal.
2. Select the red color.
3. Set to Service adjustment Mode.
4. Select the item DCOL to "0" level.
5. Set the conditions as follows.

PICTURE	MAX	PICTURE	MAX
COLOR	MIN	COLOR	CENTER
BRIGHT	CENTER	BRIGHT	CENTER
R ON	ON (1)	R ON	ON (1)
G ON	OFF (0)	G ON	ON (1)
B ON	OFF (0)	B ON	ON (1)

DISPLAY POSITION ADJUSTMENT (DISP)

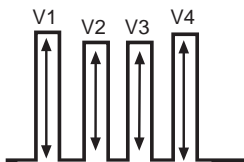
1. Input a color-bar signal.
2. Set to Service adjustment Mode.
3. Select DISP with **[1]** and **[4]**.
4. Adjust with **[3]** and **[6]** for adjustment of characters to center.
5. Write the memory by pressing **[MUTING]** then **[ENTER]**.
6. Check if the text is displayed on the screen.

**SUB BRIGHT ADJUSTMENT (SBRT)**

1. Input a cross-hatch signal.
2. Set to Service adjustment Mode.
3. Set the PICTURE and BRIGHT to minimum.
4. Select SBRT with **[1]** and **[4]**.
5. Adjust with **[3]** and **[6]** to obtain a faintly visible cross-hatch.
6. Write into the memory by pressing **[MUTING]** then **[ENTER]**.

SUB HUE, SUB COLOR ADJUSTMENT (SHUE, SCOL)

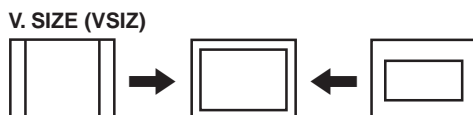
1. Input a color-bar signal.
2. Set to Service adjustment Mode.
3. Select the item DCOL and set to "0" level.
4. Connect oscilloscope probe to C Board, CN1702 Pin ⑦ (B OUT).
5. Select SHUE and SCOL with **[1]** and **[4]**.
6. Adjust with **[3]** and **[6]** for the $V1 = V4 \pm 0.1V_{p-p}$ (SCOL) and $V2 = V3 \pm 0.1V_{p-p}$ (SHUE).



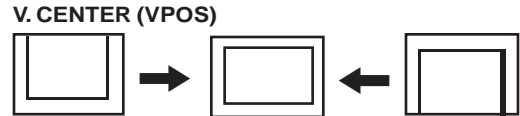
7. Reset the item DCOL to "1" level.
8. Write into the memory by pressing **[MUTING]** then **[ENTER]**.

V. SIZE ADJUSTMENT (VSIZ)

1. Input a cross-hatch signal.
2. Set to Service adjustment mode.
3. Select VSIZ with **[1]** and **[4]**.
4. Adjust with **[3]** and **[6]** for the best vertical size.

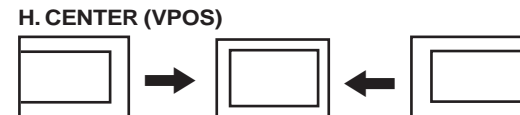
**V. CENTER ADJUSTMENT (VPOS)**

1. Input a cross-hatch signal.
2. Set to Service adjustment Mode.
3. Select VPOS with **[1]** and **[4]**.
4. Adjust with **[3]** and **[6]** for the best vertical center.
5. Write into the memory by pressing **[MUTING]** then **[ENTER]**.

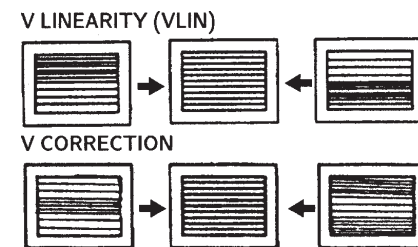
**H. CENTER ADJUSTMENT (HPOS)**

Note : Perform this adjustment after checking H. FREQUENCY.

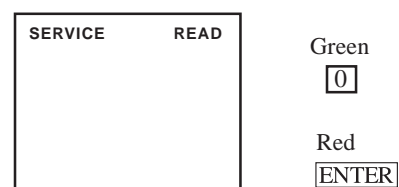
1. Input a cross-hatch signal.
2. Set the Service adjustment Mode.
3. Select HPOS with **[1]** and **[4]**.
4. Adjust with **[3]** and **[6]** for the best horizontal center.
5. Write into the memory by pressing **[MUTING]** then **[ENTER]**.

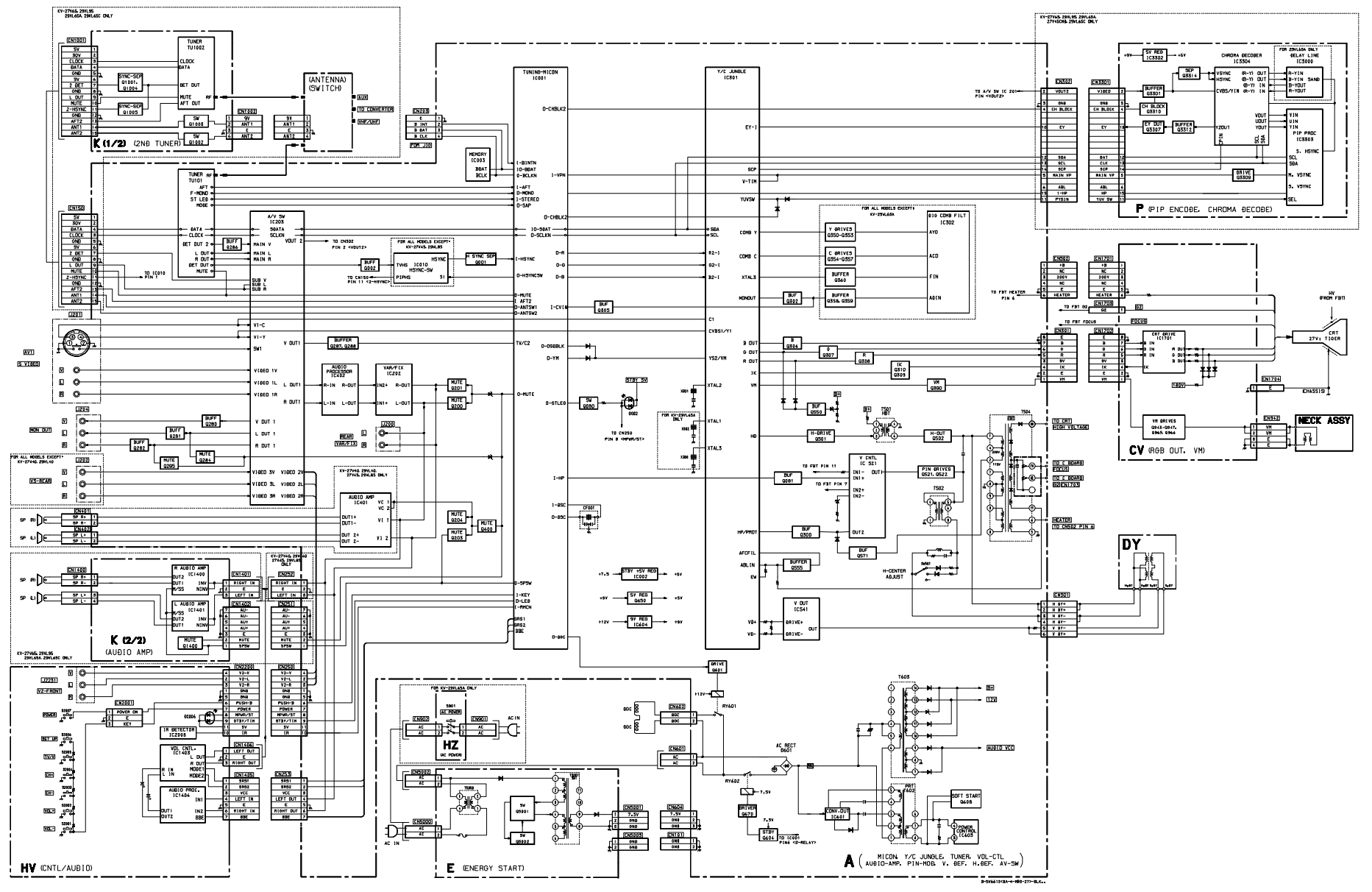
**V. LINEARITY (VLIN) AND V CORRECTION**

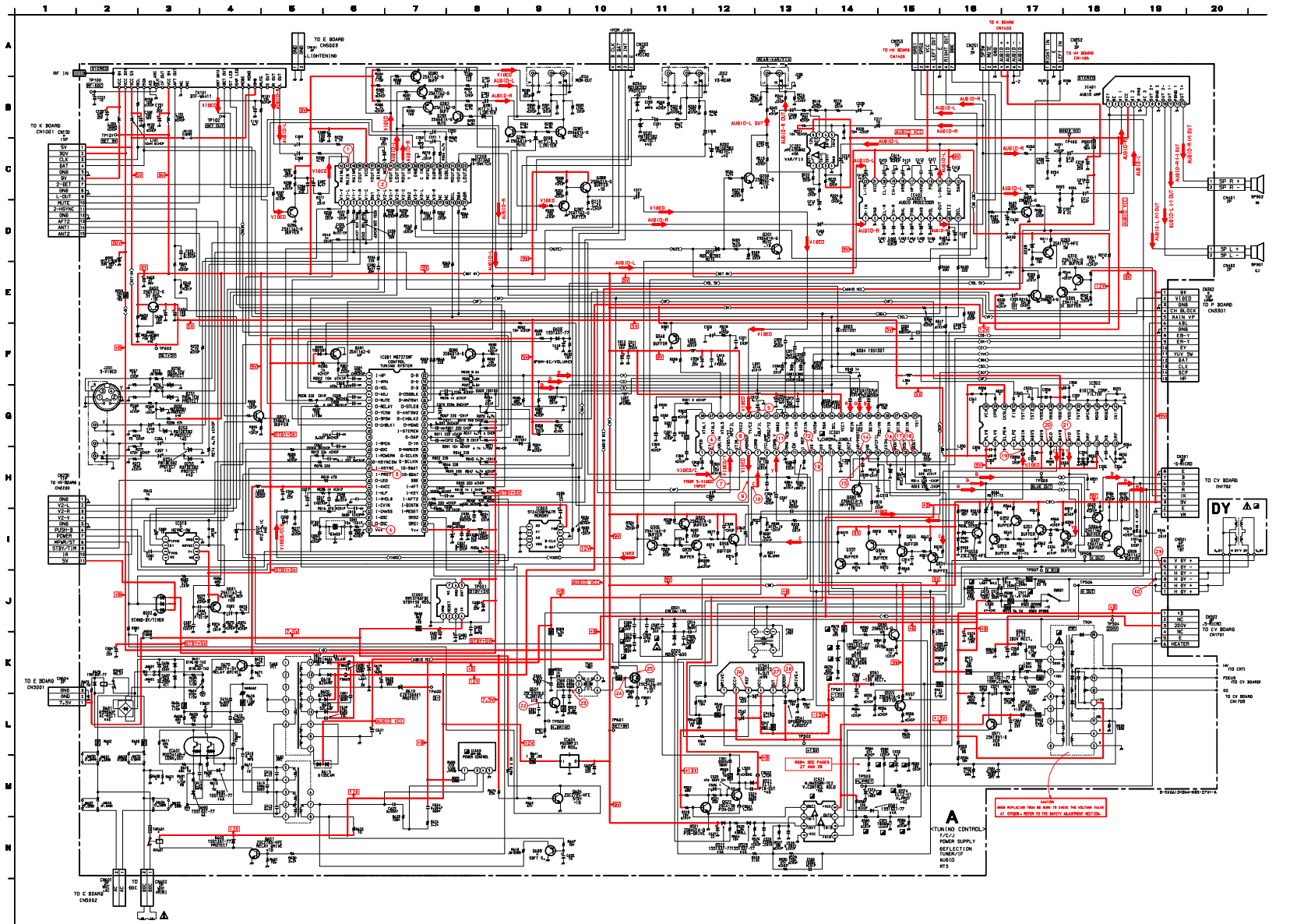
1. Input a cross-hatch signal.
2. V. Correction is automatically adjusted from the circuit and should satisfy the conditions below:

**SERVICE ADJUSTMENT MODE MEMORY**

1. Change DCOL to "1".
2. After completing all adjustments, press "0" then **[ENTER]**.

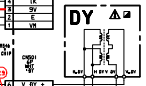
READ FROM MEMORY





A
 TUNING CONTROL
 POWER SUPPLY
 FREQUENCY
 SELECTION
 INDICATOR
 MTS

THIS INDICATOR TUNING RANGE IS USED TO CHECK THE HOLDING RANGE
 AT OTHER TIMES TO THE TUNING ASSISTANT SECTION.



TO E BOARD
 CN002

TO E BOARD
 CN003

TO E BOARD
 CN004

TO E BOARD
 CN005

TO E BOARD
 CN006

TO E BOARD
 CN007

TO E BOARD
 CN008

TO E BOARD
 CN009

TO E BOARD
 CN010

TO E BOARD
 CN011

TO E BOARD
 CN012

TO E BOARD
 CN013

TO E BOARD
 CN014

TO E BOARD
 CN015

TO E BOARD
 CN016

TO E BOARD
 CN017

TO E BOARD
 CN018

TO E BOARD
 CN019

TO E BOARD
 CN020

TO E BOARD
 CN021

TO E BOARD
 CN022

TO E BOARD
 CN023

TO E BOARD
 CN024

TO E BOARD
 CN025

TO E BOARD
 CN026

TO E BOARD
 CN027

TO E BOARD
 CN028

TO E BOARD
 CN029

TO E BOARD
 CN030

TO E BOARD
 CN031

TO E BOARD
 CN032

TO E BOARD
 CN033

TO E BOARD
 CN034

TO E BOARD
 CN035

TO E BOARD
 CN036

TO E BOARD
 CN037

TO E BOARD
 CN038

TO E BOARD
 CN039

TO E BOARD
 CN040

TO E BOARD
 CN041

TO E BOARD
 CN042

TO E BOARD
 CN043

TO E BOARD
 CN044

TO E BOARD
 CN045

TO E BOARD
 CN046

TO E BOARD
 CN047

TO E BOARD
 CN048

TO E BOARD
 CN049

TO E BOARD
 CN050

TO E BOARD
 CN051

TO E BOARD
 CN052

TO E BOARD
 CN053

TO E BOARD
 CN054

TO E BOARD
 CN055

TO E BOARD
 CN056

TO E BOARD
 CN057

TO E BOARD
 CN058

TO E BOARD
 CN059

TO E BOARD
 CN060

TO E BOARD
 CN061

TO E BOARD
 CN062

TO E BOARD
 CN063

TO E BOARD
 CN064

TO E BOARD
 CN065

TO E BOARD
 CN066

TO E BOARD
 CN067

TO E BOARD
 CN068

TO E BOARD
 CN069

TO E BOARD
 CN070

TO E BOARD
 CN071

TO E BOARD
 CN072

TO E BOARD
 CN073

TO E BOARD
 CN074

TO E BOARD
 CN075

TO E BOARD
 CN076

TO E BOARD
 CN077

TO E BOARD
 CN078

TO E BOARD
 CN079

TO E BOARD
 CN080

TO E BOARD
 CN081

TO E BOARD
 CN082

TO E BOARD
 CN083

TO E BOARD
 CN084

TO E BOARD
 CN085

TO E BOARD
 CN086

TO E BOARD
 CN087

TO E BOARD
 CN088

TO E BOARD
 CN089

TO E BOARD
 CN090

TO E BOARD
 CN091

TO E BOARD
 CN092

TO E BOARD
 CN093

TO E BOARD
 CN094

TO E BOARD
 CN095

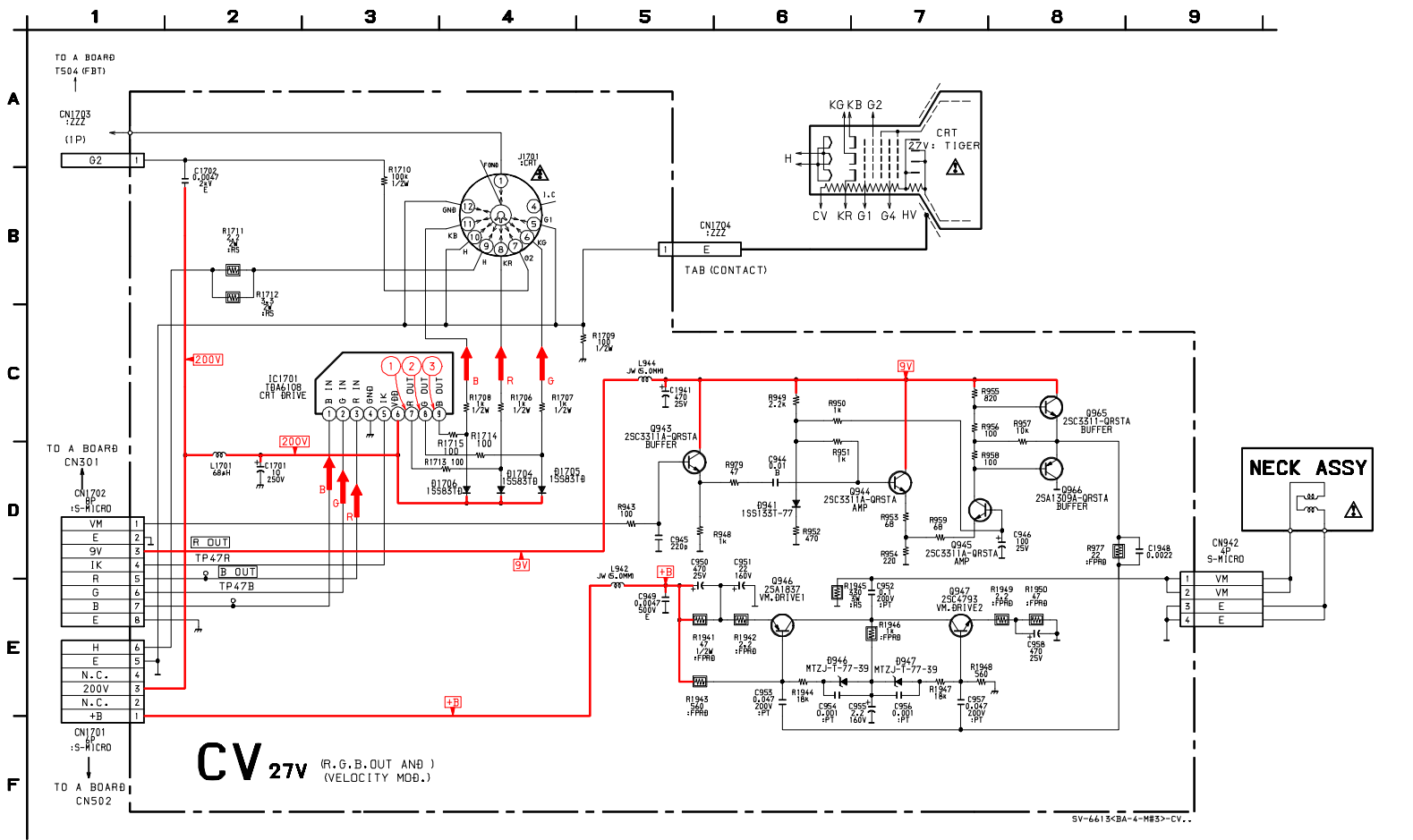
TO E BOARD
 CN096

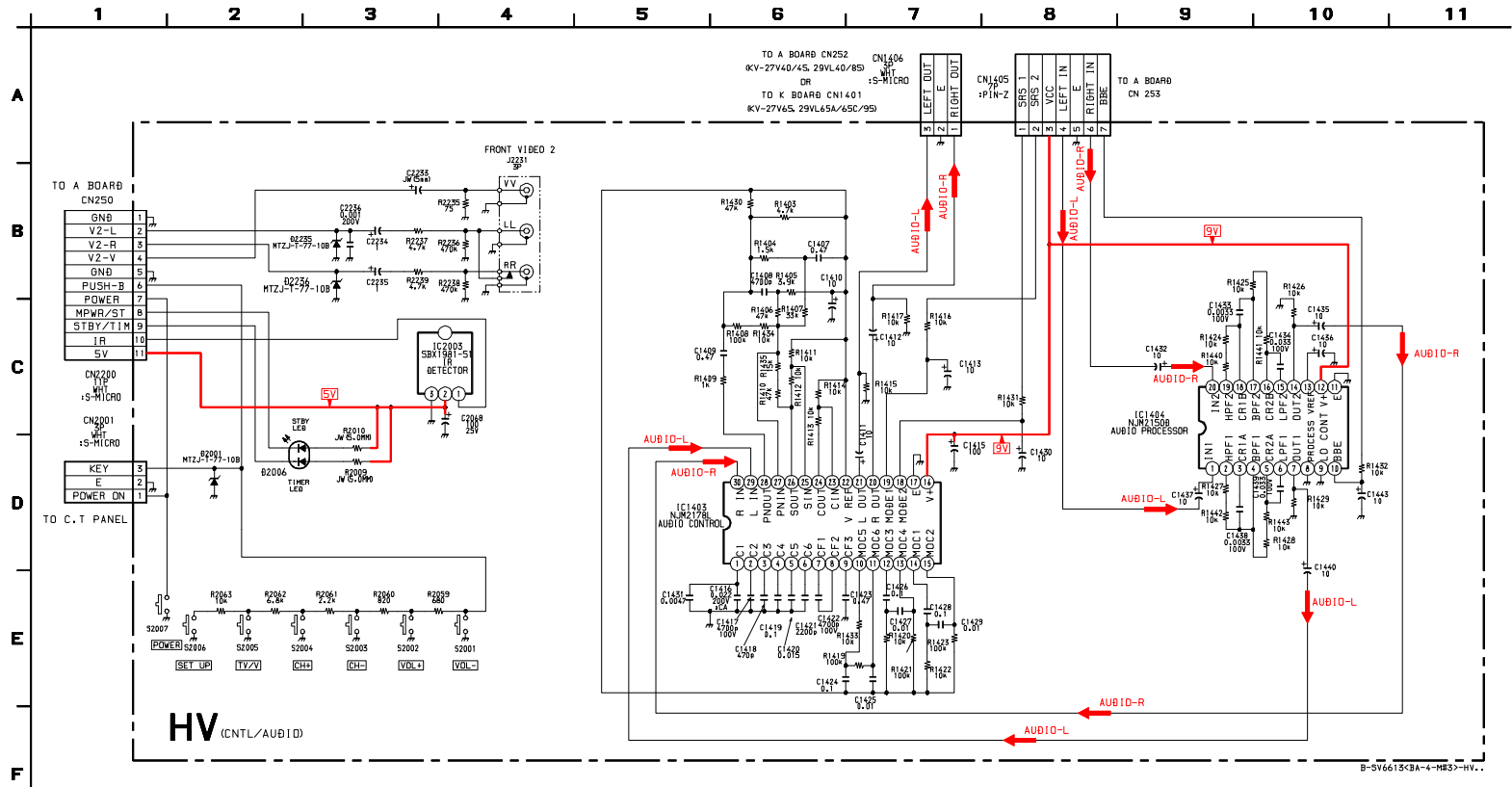
TO E BOARD
 CN097

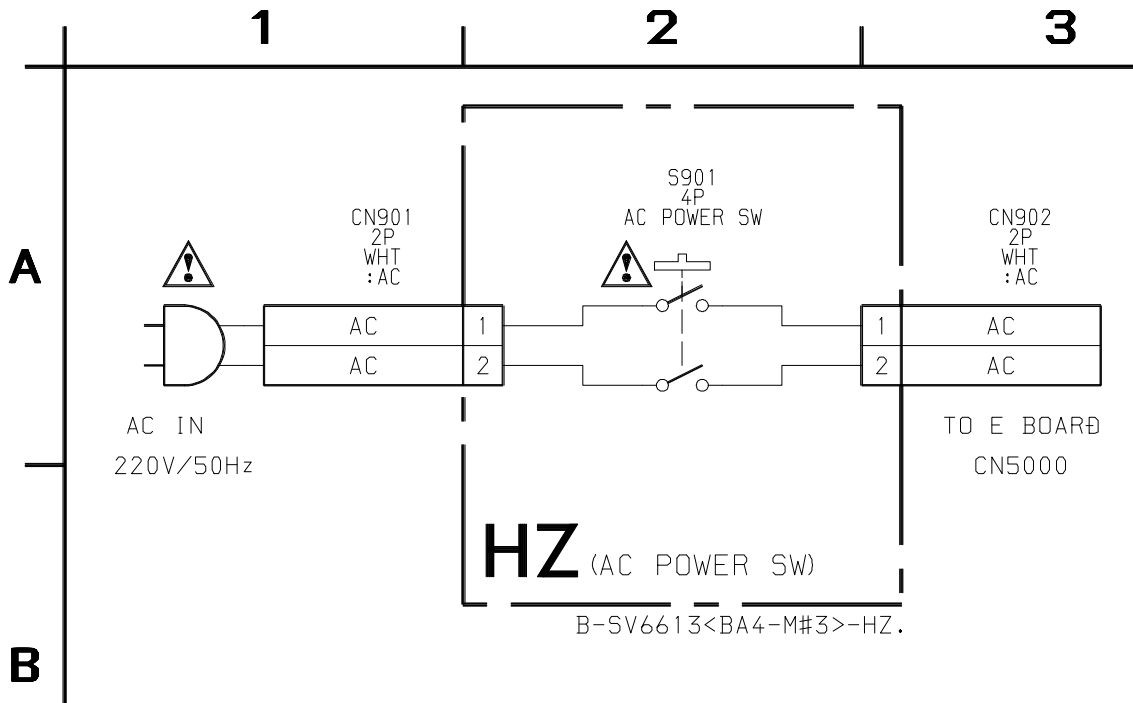
TO E BOARD
 CN098

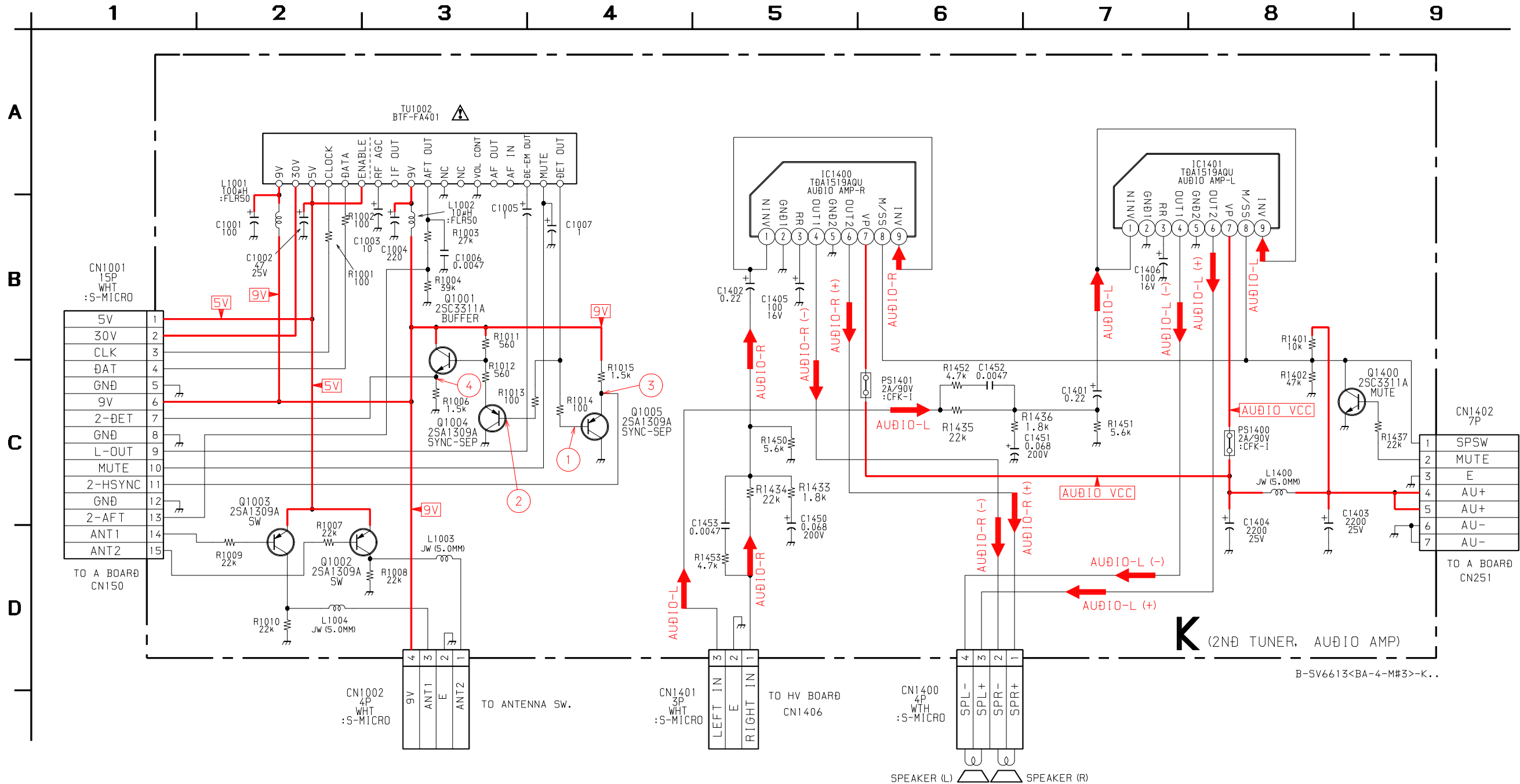
TO E BOARD
 CN099

TO E BOARD
 CN100









B-SV6613<BA-4-M#3>-K..

A

B

C

D

E

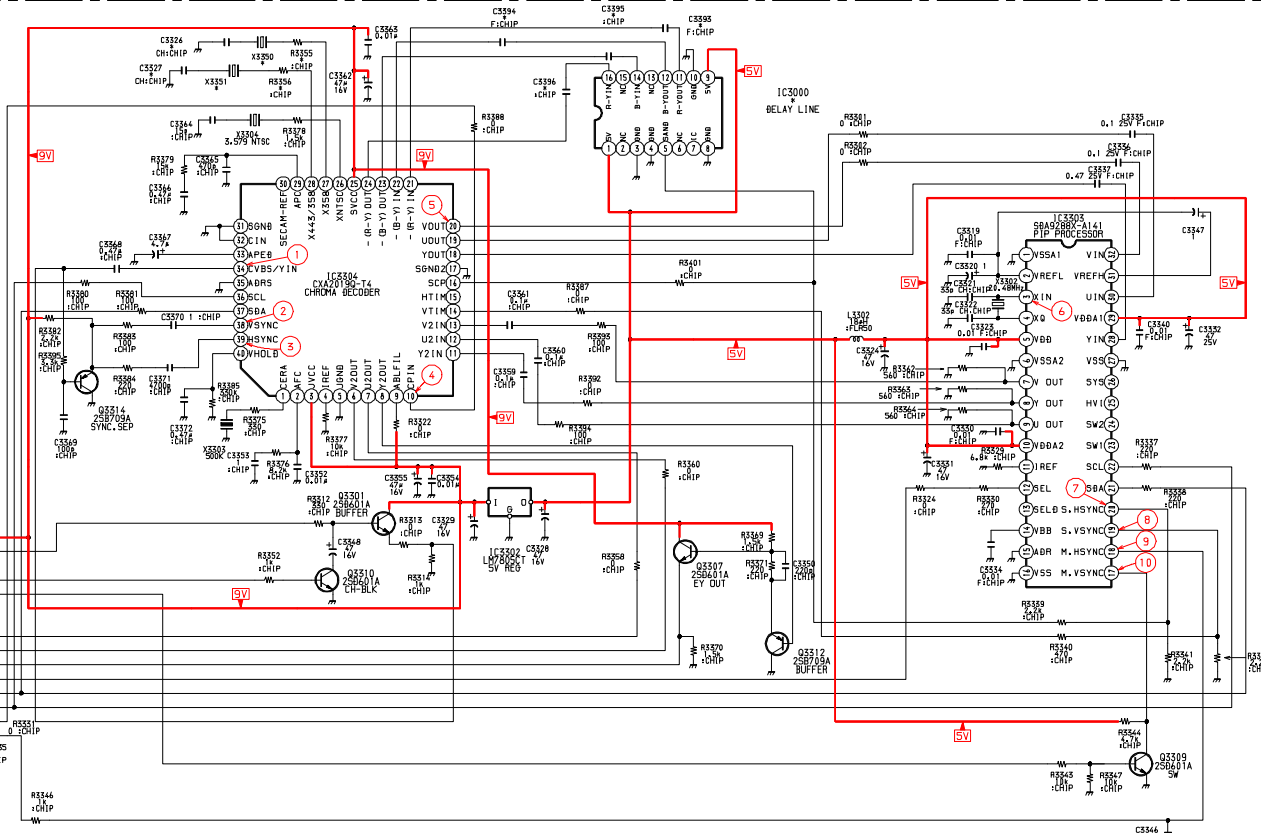
F

G

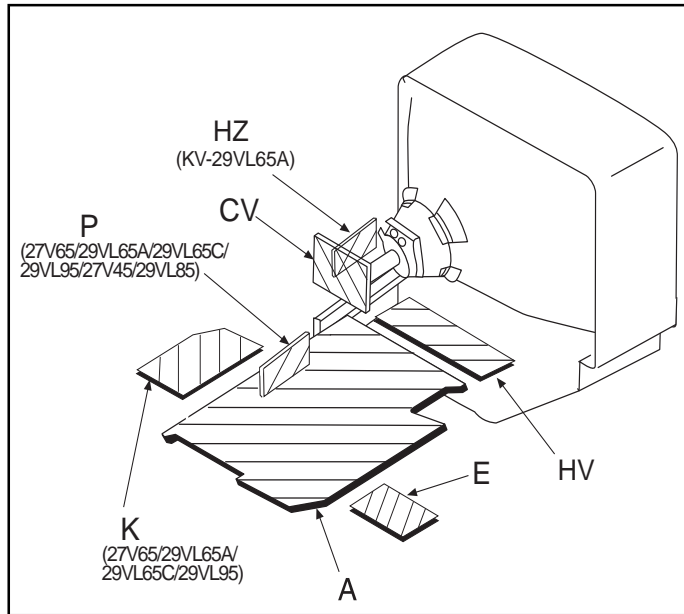


9V	1
VIDEO	2
GNB	3
CH_BLOCK	4
MAIN VP	5
ABL	6
GNB	7
EB-Y	8
ER-Y	9
EY	10
YUV SW	11
DAT	12
CLK	13
SCP	14
HP	15

P PIP ENCODE
CHROMA DECODE



6-2. Circuit Boards Location



Part replaced (■)	Adjustment (▣)
IC301, IC521, IC603, DY, D573, D574 C505, C507, C508, C509, C511, C515, C520, C572, C573, C574, C575, L591, L501, R582, R583, R585, R586, R578, R579, T504 (FBT)	HV HOLD-DOWN (R584)
IC603, IC601, R699	B+ VOLTAGE CONFIRMATION



- All voltages are in V.
- Voltage is DC with respect to ground unless otherwise noted.
- Readings are taken with a 10MΩ digital multimeter.
- Readings are taken with a color-bar signal input.
- Voltage variations may be noted due to normal production tolerance.
- Circled numbers are waveform references.




6-3. Printed Wiring Boards and Schematic Diagrams

Note:

- All capacitors are in μF unless otherwise noted.
pF: μμF 50V or less are not indicated except for electrolytic and tantalums.
- All electrolytics are 50V unless otherwise specified
- Indication of resistance, which does not have one for rating electrical power, is as follows:

Pitch: 5mm
Rating electrical power 1/4W

- All resistors are in ohms.
 $K\Omega = 1000\Omega$, $M\Omega = 1000K\Omega$
-  nonflammable resistor.
- Δ : internal component.
- : panel designation and adjustment for repair.
- All variable and adjustable resistors have characteristic curve B, unless otherwise noted.
- The components identified by ■ in this manual have been carefully factory-selected for each set in order to satisfy regulations regarding X-ray radiation. Should replacement be required, replace only with the value originally used.
- When replacing components identified by ■ make the necessary adjustments indicated. If results do not meet the specified value, change the component identified by ▣ and repeat the adjustment until the specified value is achieved. (Refer to R584 on page 27 and 28).
- When replacing parts in the table below be sure to perform the related adjustment.


-  : B + Line
-  : B - Line
-  : signal path

Reference Information

RESISTOR	: RN	METAL FILM
	: RC	SOLID
	: FPRD	NON FLAMMABLE CARBON
	: FUSE	NON FLAMMABLE FUSIBLE
	: RW	NON FLAMMABLE WIREWOUND
	: RS	NON FLAMMABLE METAL OXIDE
	: RB	NON FLAMMABLE CEMENT
	: ※	ADJUSTMENT RESISTOR
COIL	: LF-8L	MICRO INDUCTOR
CAPACITOR	: TA	TANTALUM
	: PS	STYROL
	: PP	POLYPROPYLENE
	: PT	MYLAR
	: MPS	METALIZED POLYESTER
	: MPP	METALIZED POLYPROPYLENE
	: ALB	BIPOLAR
	: ALT	HIGH TEMPERATURE
	: ALR	HIGH RIPPLE

Note: The symbol  display is on the component side.

The components identified by shading and mark Δ are critical for safety. Replace only with part number specified.

The symbol  indicates fast operating fuse. Replace only with fuse of same rating as marked.

SECTION 7 EXPLODED VIEWS

• Items with no part number and no description are not stocked because they are seldom required for routine service

• The component parts of an assembly are indicated by the reference numbers in the remarks column.

• Items marked " * " are not stocked since they are seldom required for routine service. Some delay should be anticipated when ordering these items.

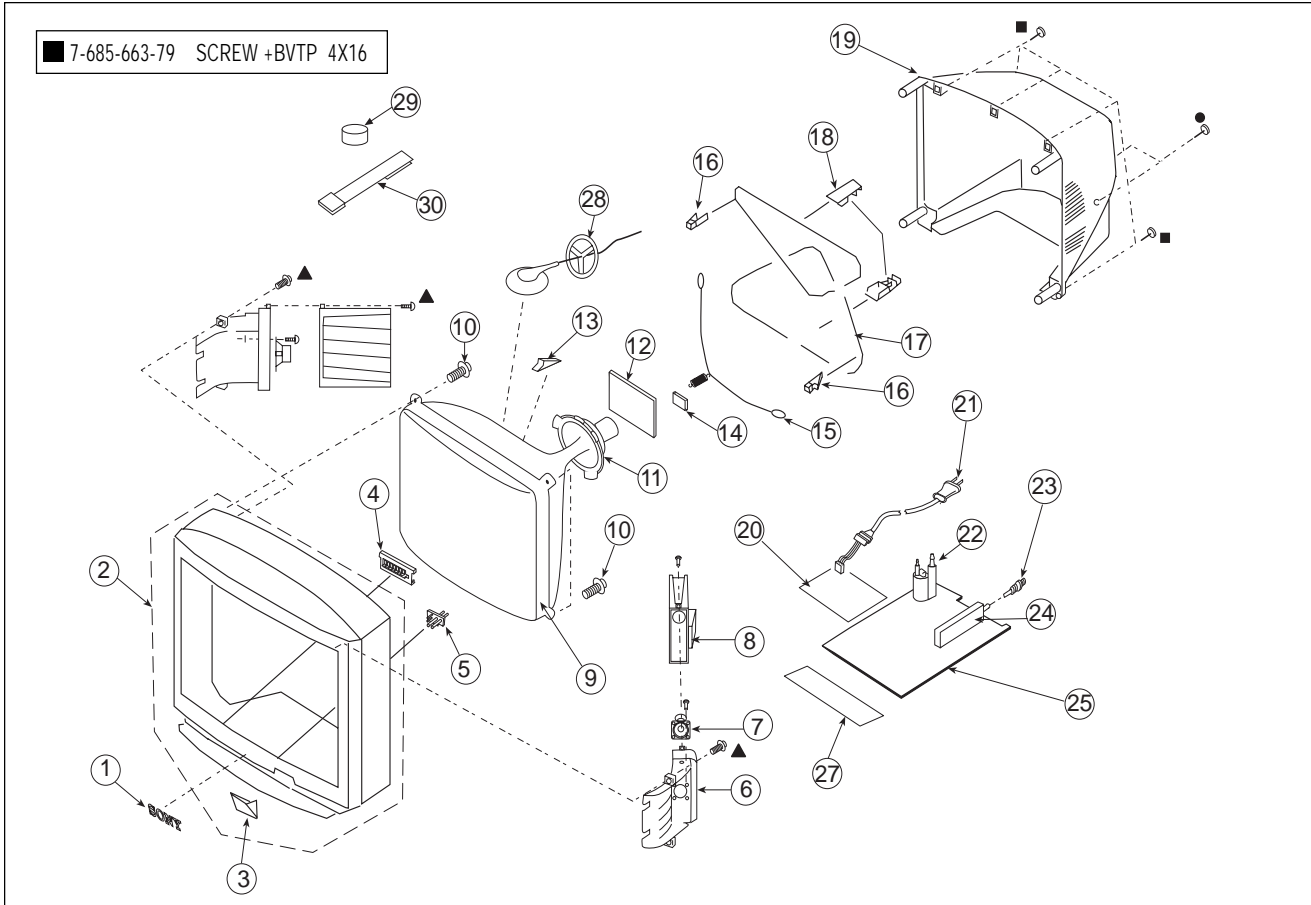
Note:

The components identified with gray shading and a critical symbol (Δ) are critical for safety. Replace only with part number specified.

Note:

Les composants identifiés per un trame et une marque Δ sont critiques pour la sécurité. Ne les remplacer que par une pièce portant le numéro spécifié.

7-1. ONE TUNER CHASSIS (KV-27V40/27V45/29VL40/29VL85)



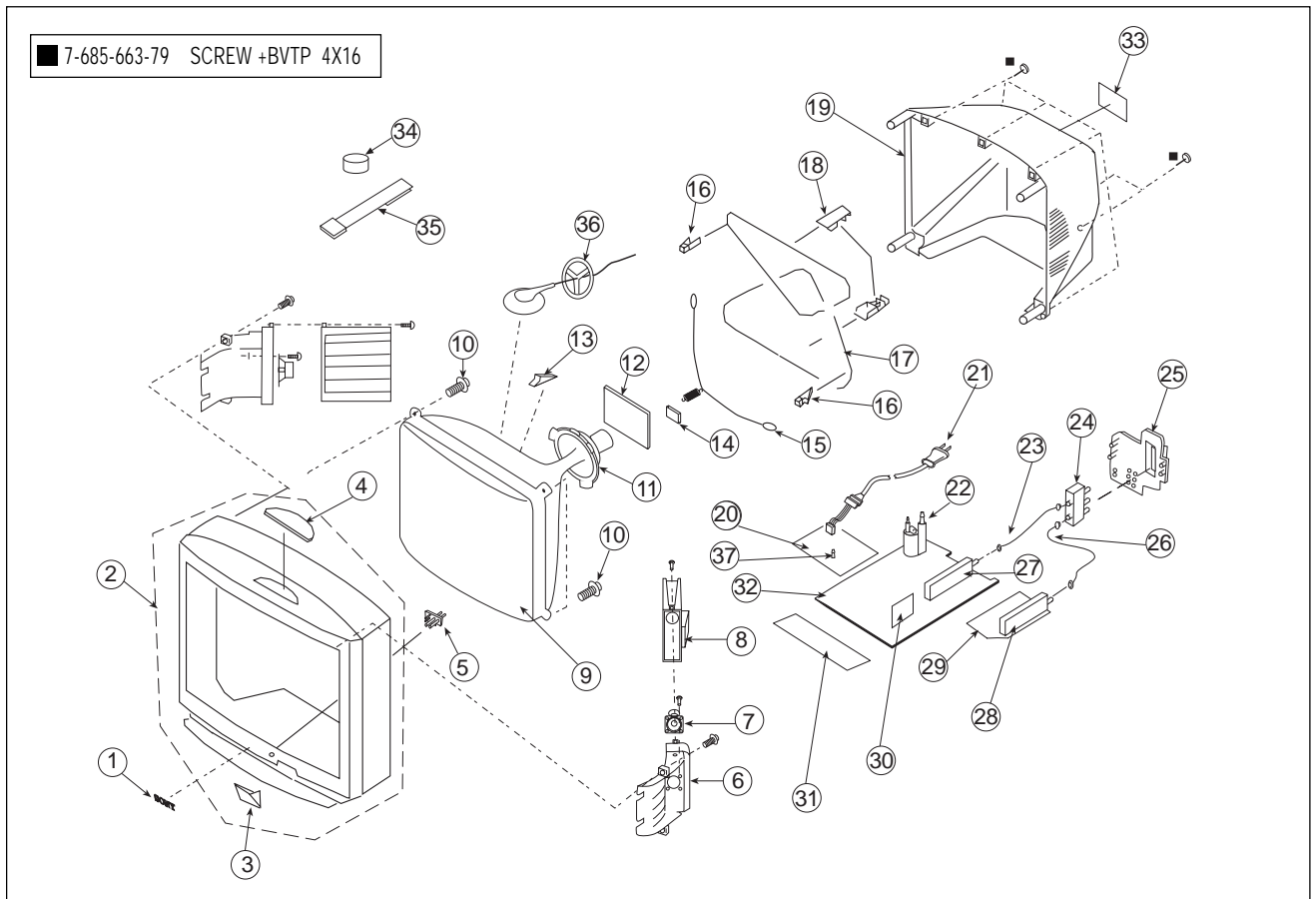
REF.NO.	PART NO.	DESCRIPTION	REMARK	REF.NO.	PART NO.	DESCRIPTION	REMARK
1	4-046-160-01	EMBLEM (NO.9)		18	4-040-387-01	HOLDER (M), DGC	
2	X-4035-476-1	BEZNET ASSY (KV-27V40/29VL40)	3	19	4-063-018-11	COVER, REAR (KV-27V45/29VL85)	
2	X-4035-477-1	BEZNET ASSY (KV-27V45/29VL85)	3	19	4-063-018-21	COVER, REAR (KV-27V40/29VL40)	
3	4-052-906-01	DOOR CONTROL		20 *	A-1343-525-A	E BOARD, COMPLETE	
4	4-052-907-11	BUTTON MULTI		21 Δ	1-751-057-21	CORD, POWER (WITH CONNECTOR)	
5 *	4-052-897-01	GUIDE LED		22 Δ	1-453-268-11	TRANSFORMER ASSY (NX-4005/X4J4)	
6	X-4035-400-1	BAFFLE ASSY, SPEAKER		23	1-766-374-11	PLUG, F-PIN	
7	1-505-404-11	SPEAKER (8CM)		24 Δ	8-598-341-00	TUNER, FSS BTF-WA411	
8	X-4035-401-1	COVER ASSY, SPEAKER		25 *	A-1298-482-A	A BOARD, COMPLETE (KV-29VL40/27V40)	
9 Δ	8-733-873-05	CRT29NX		25 *	A-1298-565-A	A BOARD, COMPLETE (KV-27V45/29VL85)	
10	4-041-268-01	SCREW (7), TAPPING		26 *	A-1190-306-A	P BOARD, COMPLETE (KV-27V45/29VL85)	
11 Δ	8-451-486-11	DY Y29NXA-V		27 *	A-1372-479-A	HV BOARD, COMPLETE	
12 *	A-1331-838-A	CV BOARD, COMPLETE		28	3-704-372-31	HOLDER, HV	
13	4-053-005-01	SPACER DY		29	1-452-032-00	MAGNET, DISC	
14	4-374-745-31	CUSHION (A)		30	4-062-047-01	PIECE A (110)	
15	4-036-329-01	SPRING (B), TENSION		31	4-065-807-01	LATIN LABEL (KV-29VL40)	
16	4-040-388-01	HOLDER (S), DGC		31	4-065-808-01	LATIN LABEL (KV-29VL85)	
17 Δ	1-416-588-21	COIL, DEMAGNETIC		32 *	3-703-353-02	SUPPORT, PC	

Note:

The components identified with gray shading and a critical symbol (Δ) are critical for safety. Replace only with part number specified.

Note:

Les composants identifiés par un triangle et une marque Δ sont critiques pour la sécurité. Ne les remplacer que par une pièce portant le numéro spécifié.

7-2. TWO TUNER CHASSIS (KV-27V65/29VL65A/29VL65C/29VL95)

REF.NO.	PART NO.	DESCRIPTION	REMARK	REF.NO.	PART NO.	DESCRIPTION	REMARK
1	4-046-160-01	EMBLEM (NO.9)		21 Δ	1-751-057-11	CORD, POWER W/CONNECTOR (KV-27V65/29VL95)	
2	X-4035-478-1	BEZNET ASSY (KV-27V65/29VL65C/29VL95)	3-4	21 Δ	1-783-838-31	CORD, POWER W/CONNECTOR (KV-29VL65A)	
2	X-4035-479-1	BEZNET ASSY (KV-29VL65A)	3-4	21 Δ	1-769-796-71	CORD, POWER W/CONNECTOR (KV-29VL65C)	
3	4-052-906-01	DOOR, CONTROL		22 Δ	1-453-268-11	TRANSFORMER ASSY (NX-4005/X4J4)	
4	1-473-549-21	SWITCH BLOCK CONTROL		23	1-783-800-11	CABLE, PIN	
5 *	4-052-897-01	GUIDE,LED		24	8-598-414-00	ANTENNA SWITCH AS-2F	
6	X-4035-400-1	BAFFLE ASSY, SPEAKER		25	4-064-176-11	BRACKET, ANTENNA	
7	1-505-893-11	SPEAKER (8CM)		26 *	1-557-056-31	CABLE, P-P	
8	X-4035-401-1	COVER ASSY, SPEAKER		27 Δ	8-598-431-00	TUNER, FSS BTF-WA411	
9 Δ	8-733-873-05	CRT29NX (KV-27V65/29VL95)		28 Δ	8-598-430-00	TUNER, FSS BTF-FA401	
9 Δ	8-733-874-05	CRT29NX (KV-29VL65A/29VL65C)		29 *	A-1380-571-A	K BOARD, COMPLETE	
10	4-041-268-01	SCREW (7) TAPPING		30 *	A-1190-306-A	P BOARD, COMPLETE (KV-27V65/29VL65C/29VL95)	
11 Δ	8-451-486-11	DY Y29NXA-V		30 *	A-1195-129-A	P BOARD, COMPLETE (KV-29VL65A)	
12 *	A-1331-838-A	CV BOARD, COMPLETE		31 *	A-1372-479-A	HV BOARD, COMPLETE	
13	4-053-005-01	SPACER,DY		32 *	A-1298-486-A	A BOARD, COMPLETE (KV-27V65)	
14	4-374-745-31	CUSHION (A)		32 *	A-1298-486-A	A BOARD, COMPLETE (KV-29VL95)	
15	4-036-329-01	SPRING (B), TENSION		32 *	A-1298-487-A	A BOARD, COMPLETE (KV-29VL65A)	
16	4-040-388-01	HOLDER (S), DGC		32 *	A-1298-583-A	A BOARD, COMPLETE (KV-29VL65C)	
17 Δ	1-416-588-21	COIL, DEMAGNETIC (KV-27V65/29VL95)		33	4-065-809-01	LABEL, LATIN (KV-29VL65C/29VL95)	
17 Δ	1-416-589-21	COIL, DEMAGNETIC (KV-29VL65A/29VL65C)		34	1-452-032-00	MAGNET, DISC	
18	4-040-387-01	HOLDER (M), DGC		35	4-062-047-01	PIECE A (110)	
19	4-063-018-01	COVER, REAR		36	3-704-372-31	HOLDER, HV	
20 *	A-1343-525-A	E BOARD, COMPLETE (KV-27V65/29VL95)		37 *	3-703-353-02	SUPPORT, PC	
20 *	A-1343-526-A	E BOARD, COMPLETE (KV-29VL65A/29VL65C)					

• Items with no part number and no description are not stocked because they are seldom required for routine service

• The component parts of an assembly are indicated by the reference numbers in the remarks column.

• Items marked " * " are not stocked since they are seldom required for routine service. Some delay should be anticipated when ordering these items.

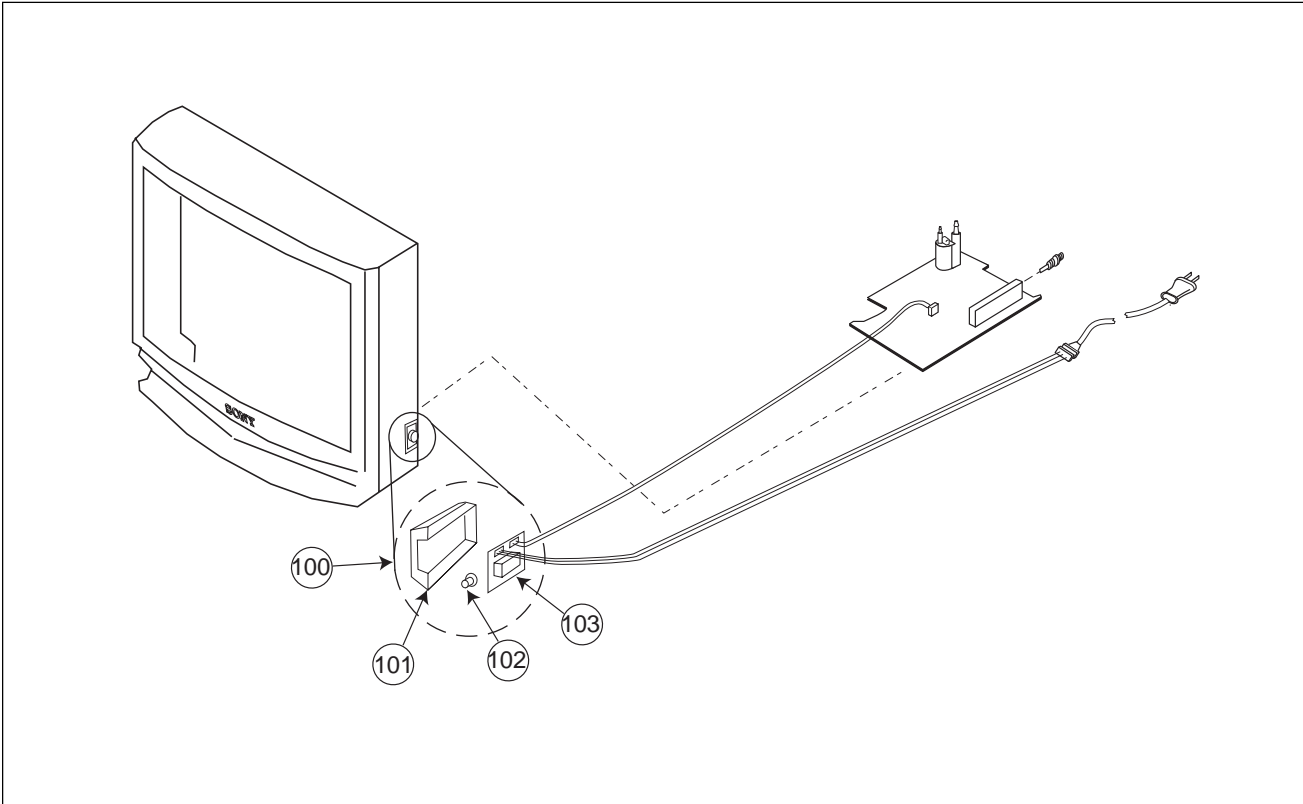
Note:

The components identified with gray shading and a critical symbol (Δ) are critical for safety. Replace only with part number specified.

Note:

Les composants identifiés par un triangle et une marque Δ sont critiques pour la sécurité. Ne les remplacer que par une pièce portant le numéro spécifié.

7-3. MAIN POWER SWITCH (KV-29VL65A ONLY)



<u>REF.NO.</u>	<u>PART NO.</u>	<u>DESCRIPTION</u>	<u>REMARK</u>
100 *	A-148-056-A	BLOCK ASSY, HZ	101-103
101 *	4-048-201-21	BRACKET, PC BOARD HZ	
102 *	4-048-200-21	BUTTON, MAIN POWER	
103 *	A-1372-117-A	MOUNTED PCB, HZ	

SECTION 8 ELECTRICAL PARTS LIST

PARTS LISTING TABLE OF CONTENTS
--

	Page
A BOARD <u>COMMON</u> PARTS LIST: Parts common to <u>all</u> models listed in this manual.....	61
A BOARD <u>VARIANT</u> PARTS LIST: Parts that belong <u>only</u> to the model specified.....	70

Refer to the designated variant parts list when seeking a part indicated by an asterisk (*) on the A board schematic or by the word "variant" on the common parts list.

	Page
<u>Model</u>	<u>Page</u>
KV-27V40/29VL40	70
KV-27V65/29VL95.....	72
KV-29VL65A.....	74
KV-27V45/29VL85	75
KV-29VL65C	77
CV BOARD <u>COMPLETE</u> PARTS LIST (All Models)	79
E BOARD <u>COMPLETE</u> PARTS LIST (All Models).....	80
HV BOARD <u>COMPLETE</u> PARTS LIST	81
HZ BOARD <u>COMPLETE</u> PARTS LIST	82
K BOARD <u>COMPLETE</u> PARTS LIST	83
P BOARD <u>COMPLETE</u> PARTS LIST	84
ACCESSORIES AND PACKAGING	86



SECTION 7 ELECTRICAL PARTS LIST

Note:

The components identified by shading and mark Δ are critical for safety. Replace only with part number specified.

Note:

Les composants identifiés par un trame et une marque Δ sont critiques pour la sécurité. Ne les remplacer que par une pièce portant le numéro spécifié.

The components identified by Δ in this manual have been carefully factory-selected for each set in order to satisfy regulations regarding X-ray radiation. Should replacement be required, replace only with the value originally used.

- Items marked " * " are not stocked since they are seldom required for routine service. Some delay should be anticipated when ordering these items.

- All variable and adjustable resistors have characteristic curve B, unless otherwise noted.

RESISTORS

- All resistors are in ohms
- F : nonflammable

CAPACITORS

- MF = μ F

INDUCTORS

- UH = μ H, MMH = mH

When indicating parts by reference number, please include the board name.

REF.NO.	PART NO.	DESCRIPTION	REMARK	REF.NO.	PART NO.	DESCRIPTION	REMARK
A							
* A BOARD, COMPLETE							
* A-1298-482-A (KV-27V40/29VL40)							
* A-1298-486-A (KV-27V65/29VL95)							
* A-1298-487-A (KV-29VL65A)							
* A-1298-565-A (KV-27V45/29VL85)							
* A-1298-583-A (KV-29VL65C)							
	4-382-854-01	SCREW	(M3X8), P, SW (+)				
	4-382-854-11	SCREW	(M3X10), P, SW (+)				
<u>CAPACITOR</u>							
C001	1-163-259-91	CERAMIC CHIP	220PF 5% 50V	C062	1-164-161-11	CERAMIC CHIP	0.0022MF 10% 50V
C004	1-107-701-11	ELECT	47MF 20% 25V	C065	1-163-009-11	CERAMIC CHIP	0.001MF 10% 50V
C005	1-126-960-11	ELECT	1MF 20% 50V	C070	1-163-259-91	CERAMIC CHIP	220PF 5% 50V
C006	1-163-035-00	CERAMIC CHIP	0.047MF 50V	C080	1-126-964-11	ELECT	10MF 20% 50V
C007	1-163-259-91	CERAMIC CHIP	220PF 5% 50V	C081	1-126-964-11	ELECT	10MF 20% 50V
C008	1-163-009-11	CERAMIC CHIP	0.001MF 10% 50V	C091	1-163-231-11	CERAMIC CHIP	15PF 5% 50V
C010	1-163-009-11	CERAMIC CHIP	0.001MF 10% 50V	C092	1-163-231-11	CERAMIC CHIP	15PF 5% 50V
C011	1-163-009-11	CERAMIC CHIP	0.001MF 10% 50V	C101	1-126-963-11	ELECT	4.7MF 20% 50V
C012	1-163-009-11	CERAMIC CHIP	0.001MF 10% 50V	C102	1-126-382-11	ELECT	100MF 20% 16V
C014	1-164-004-11	CERAMIC CHIP	0.1MF 10% 25V	C150	1-126-941-11	ELECT	470MF 20% 25V
C017	1-126-960-11	ELECT	1MF 20% 50V	C151	1-104-664-11	ELECT	47MF 20% 25V
C019	1-163-135-00	CERAMIC CHIP	560PF 5% 50V	C200	VARIANT (SEE VARIANT PARTS LIST)		
C020	1-130-495-00	FILM	0.1MF 5% 50V	C201	1-126-960-11	ELECT	1MF 20% 50V
C021	1-163-259-91	CERAMIC CHIP	220PF 5% 50V	C202	1-126-960-11	ELECT	1MF 20% 50V
C028	1-163-005-11	CERAMIC CHIP	470PF 10% 50V	C207	1-126-959-11	ELECT	0.47MF 20% 50V
C030	1-163-259-91	CERAMIC CHIP	220PF 5% 50V	C208	1-126-959-11	ELECT	0.47MF 20% 50V
C034	1-163-037-11	CERAMIC CHIP	0.022MF 10% 50V	C209	1-126-963-11	ELECT	4.7MF 20% 50V
C037	1-164-161-11	CERAMIC CHIP	0.0022MF 10% 50V	C211	1-126-964-11	ELECT	10MF 20% 50V
C038	1-126-941-11	ELECT	470MF 20% 25V	C212	1-126-963-11	ELECT	4.7MF 20% 50V
C039	1-126-964-11	ELECT	10MF 20% 50V	C213	1-126-964-11	ELECT	10MF 20% 50V
C046	1-104-664-11	ELECT	47MF 20% 25V	C216	1-126-959-11	ELECT	0.47MF 20% 50V
C047	1-163-259-91	CERAMIC CHIP	220PF 5% 50V	C217	1-126-959-11	ELECT	0.47MF 20% 50V
C048	1-163-009-11	CERAMIC CHIP	0.001MF 10% 50V	C218	1-126-941-11	ELECT	470MF 20% 25V
C060	1-163-005-11	CERAMIC CHIP	470PF 10% 50V	C219	1-130-495-00	FILM	0.1MF 5% 50V
				C222	1-126-964-11	ELECT	10MF 20% 50V
				C223	1-104-664-11	ELECT	47MF 20% 25V
				C225	1-163-017-00	CERAMIC CHIP	0.0047MF 10% 50V
				C230	1-126-957-11	ELECT	0.22MF 20% 50V
				C237	1-126-957-11	ELECT	0.22MF 20% 50V
				C250	1-126-960-11	ELECT	1MF 20% 50V
				C251	1-126-960-11	ELECT	1MF 20% 50V
				C252	VARIANT (SEE VARIANT PARTS LIST)		
				C255	1-104-760-11	CERAMIC CHIP	0.047MF 10% 50V
				C256	1-126-960-11	ELECT	1MF 20% 50V
				C257	1-126-960-11	ELECT	1MF 20% 50V
				C258	1-126-959-11	ELECT	0.47MF 20% 50V
				C259	1-163-021-91	CERAMIC CHIP	0.01MF 10% 50V
				C280	1-126-935-11	ELECT	470MF 20% 16V



COMMON PARTS LISTING

Note:

The components identified with shading and a critical symbol (Δ) are critical for safety. Replace only with part number specified.

Note:

Les composants identifiés par un trame et une marque Δ sont critiques pour la sécurité. Ne les remplacer que par une pièce portant le numéro spécifié.

REF.NO.	PART NO.	DESCRIPTION	REMARK	REF.NO.	PART NO.	DESCRIPTION	REMARK
C281	1-126-959-11	ELECT	0.47MF 20% 50V	C372	1-163-021-91	CERAMIC CHIP	0.01MF 10% 50V
C282	1-126-959-11	ELECT	0.47MF 20% 50V	C373	1-163-038-91	CERAMIC CHIP	0.1MF 25V
C284	1-104-664-11	ELECT	47MF 20% 25V	C374	1-126-935-11	ELECT	470MF 20% 16V
C285	1-126-235-11	ELECT	100MF 20% 16V	C375	1-163-038-91	CERAMIC CHIP	0.1MF 25V
C286	1-163-251-11	CERAMIC CHIP	100PF 5% 50V	C376	1-104-664-11	ELECT	47MF 20% 25V
C287	1-126-959-11	ELECT	0.47MF 20% 50V	C377	1-126-964-11	ELECT	10MF 20% 50V
C288	1-126-960-11	ELECT	1MF 20% 50V	C380		VARIANT (SEE VARIANT PARTS LIST)	
C289	1-126-960-11	ELECT	1MF 20% 50V	C381		VARIANT (SEE VARIANT PARTS LIST)	
C290	1-164-005-11	CERAMIC CHIP	0.47MF 25V	C382		VARIANT (SEE VARIANT PARTS LIST)	
C300		VARIANT (SEE VARIANT PARTS LIST)		C390	1-126-959-11	ELECT	0.47MF 20% 50V
C301	1-163-099-00	CERAMIC CHIP	18PF 5% 50V	C399	1-126-964-11	ELECT	10MF 20% 50V
C302		VARIANT (SEE VARIANT PARTS LIST)		C400	1-126-963-11	ELECT	4.7MF 20% 50V
C303	1-126-963-11	ELECT	4.7MF 20% 50V	C401	1-126-956-91	ELECT	0.1MF 20% 50V
C304	1-163-038-91	CERAMIC CHIP	0.1MF 25V	C402	1-163-017-00	CERAMIC CHIP	0.0047MF 10% 50V
C305	1-164-004-11	CERAMIC CHIP	0.1MF 10% 25V	C403	1-126-963-11	ELECT	4.7MF 20% 50V
C306	1-164-004-11	CERAMIC CHIP	0.1MF 10% 25V	C404	1-126-963-11	ELECT	4.7MF 20% 50V
C307		VARIANT (SEE VARIANT PARTS LIST)		C405	1-126-963-11	ELECT	4.7MF 20% 50V
C308	1-126-964-11	ELECT	10MF 20% 50V	C406	1-126-963-11	ELECT	4.7MF 20% 50V
C309		VARIANT (SEE VARIANT PARTS LIST)		C407	1-126-964-11	ELECT	10MF 20% 50V
C310	1-126-960-11	ELECT	1MF 20% 50V	C410	1-126-963-11	ELECT	4.7MF 20% 50V
C311	1-163-021-91	CERAMIC CHIP	0.01MF 10% 50V	C411	1-126-956-91	ELECT	0.1MF 20% 50V
C312	1-126-942-61	ELECT	1000MF 20% 25V	C412	1-130-495-00	FILM	0.1MF 5% 50V
C313	1-163-021-91	CERAMIC CHIP	0.01MF 10% 50V	C413	1-126-967-11	ELECT	47MF 20% 50V
C314		VARIANT (SEE VARIANT PARTS LIST)		C414	1-163-017-00	CERAMIC CHIP	0.0047MF 10% 50V
C316	1-163-021-91	CERAMIC CHIP	0.01MF 10% 50V	C415	1-126-956-91	ELECT	0.1MF 20% 50V
C317	1-163-021-91	CERAMIC CHIP	0.01MF 10% 50V	C416	1-126-963-11	ELECT	4.7MF 20% 50V
C318	1-163-021-91	CERAMIC CHIP	0.01MF 10% 50V	C418	1-126-964-11	ELECT	10MF 20% 50V
C319	1-126-963-11	ELECT	4.7MF 20% 50V	C420		VARIANT (SEE VARIANT PARTS LIST)	
C320		VARIANT (SEE VARIANT PARTS LIST)		C501	1-102-112-00	CERAMIC	330PF 10% 50V
C321		VARIANT (SEE VARIANT PARTS LIST)		C502	1-106-383-00	MYLAR	0.047MF 10% 200V
C323		VARIANT (SEE VARIANT PARTS LIST)		C503	1-102-212-00	CERAMIC	820PF 10% 500V
C324		VARIANT (SEE VARIANT PARTS LIST)		C504	1-102-002-00	CERAMIC	680PF 10% 500V
C330	1-163-003-11	CERAMIC CHIP	330PF 10% 50V	C505 Δ	1-162-134-11	CERAMIC	470PF 10% 2KV
C331		VARIANT (SEE VARIANT PARTS LIST)		C507 Δ	1-119-969-11	MYLAR	14000PF 3% 2KV
C332		VARIANT (SEE VARIANT PARTS LIST)		C508 Δ	1-107-364-11	MYLAR	0.01MF 10% 200V
C350		VARIANT (SEE VARIANT PARTS LIST)		C509 Δ	1-162-116-00	CERAMIC	680PF 10% 2KV
C351		VARIANT (SEE VARIANT PARTS LIST)		C510	1-107-649-11	ELECT	2.2MF 20% 250V
C352		VARIANT (SEE VARIANT PARTS LIST)		C511 Δ	1-117-673-11	FILM	1.5MF 5% 200V
C353		VARIANT (SEE VARIANT PARTS LIST)		C512	1-106-395-00	MYLAR	0.15MF 10% 200V
C354		VARIANT (SEE VARIANT PARTS LIST)		C513	1-106-343-00	MYLAR	0.001MF 10% 100V
C355		VARIANT (SEE VARIANT PARTS LIST)		C514	1-117-891-11	FILM	0.62MF 5% 200V
C356		VARIANT (SEE VARIANT PARTS LIST)		C515 Δ	1-162-116-00	CERAMIC	680PF 10% 2KV
C357		VARIANT (SEE VARIANT PARTS LIST)		C520 Δ	1-129-722-00	FILM	0.047MF 5% 630V
C358		VARIANT (SEE VARIANT PARTS LIST)		C521	1-164-646-11	CERAMIC	2200PF 10% 500V
C359		VARIANT (SEE VARIANT PARTS LIST)		C524	1-102-244-00	CERAMIC	220PF 10% 500V
C360		VARIANT (SEE VARIANT PARTS LIST)		C525	1-162-815-11	CERAMIC	47PF 5% 500V
C361		VARIANT (SEE VARIANT PARTS LIST)		C526	1-126-960-11	ELECT	1MF 20% 50V
C362		VARIANT (SEE VARIANT PARTS LIST)		C527	1-126-965-11	ELECT	22MF 20% 50V
C370	1-163-021-91	CERAMIC CHIP	0.01MF 10% 50V	C528	1-164-695-11	CERAMIC CHIP	0.0022MF 5% 50V
C371	1-163-021-91	CERAMIC CHIP	0.01MF 10% 50V	C529	1-164-161-11	CERAMIC CHIP	0.0022MF 10% 50V

Note:

The components identified with shading and a critical symbol (Δ) are critical for safety. Replace only with part number specified.

Note:

Les composants identifiés par un trame et une marque Δ sont critiques pour la sécurité. Ne les remplacer que par une pièce portant le numéro spécifié.

COMMON PARTS LISTING



REF.NO.	PART NO.	DESCRIPTION	REMARK			REF.NO.	PART NO.	DESCRIPTION	REMARK
C530	1-163-009-11	CERAMIC CHIP	0.001MF	10%	50V	<u>CONNECTOR</u>			
C531	1-106-387-00	MYLAR	0.068MF	10%	200V	CN101	1-508-786-00	PIN, CONNECTOR (5MM PITCH) 2P	
C541	1-126-969-11	ELECT	220MF	20%	50V	CN150 *		VARIANT (SEE VARIANT PARTS LIST)	
C542	1-126-967-11	ELECT	47MF	20%	50V	CN203 *	1-560-124-00	PLUG, CONNECTOR (2.5MM) 4P	
C543	1-136-173-00	FILM	0.47MF	5%	50V	CN250 *	1-564-514-11	PLUG, CONNECTOR 11P	
C553	1-107-662-11	ELECT	22MF	20%	250V	CN251		VARIANT (SEE VARIANT PARTS LIST)	
C555	1-164-161-11	CERAMIC CHIP	0.0022MF	10%	50V	CN252		VARIANT (SEE VARIANT PARTS LIST)	
C562	1-126-941-11	ELECT	470MF	20%	25V	CN253	1-564-510-11	PLUG, CONNECTOR 7P	
C564	1-126-941-11	ELECT	470MF	20%	25V	CN301	1-564-511-11	PLUG, CONNECTOR 8P	
C571	1-126-964-11	ELECT	10MF	20%	50V	CN302 *		VARIANT (SEE VARIANT PARTS LIST)	
C573	1-126-963-11	ELECT	4.7MF	20%	50V	CN401	1-564-505-11	PLUG, CONNECTOR 2P	
C574	1-107-635-11	ELECT	4.7MF	20%	160V	CN402	1-564-505-11	PLUG, CONNECTOR 2P	
C575	1-163-021-91	CERAMIC CHIP	0.01MF	10%	50V	CN501 *	1-580-798-11	CONNECTOR PIN (DY) 6P	
C576	1-123-024-21	ELECT	33MF		160V	CN502 *	1-564-509-11	PLUG, CONNECTOR 6P	
C591	1-137-417-11	MYLAR	0.0047MF	10%	200V	CN601 *	1-580-843-11	PIN, CONNECTOR (POWER) 2P	
C606 Δ	1-117-942-11	ELECT(BLOCK)	560MF	20%	250V	CN602	1-508-786-00	PIN, CONNECTOR (5MM PITCH) 2P	
C607 Δ	1-117-942-11	ELECT(BLOCK)	560MF	20%	250V	CN604 *	1-564-506-11	PLUG, CONNECTOR 3P	
C610	1-136-173-00	FILM	0.47MF	5%	50V	<u>DIODE</u>			
C611	1-136-173-00	FILM	0.47MF	5%	50V	D001	8-719-921-44	DIODE MTZJ-5.1C	
C612	1-164-735-11	CERAMIC	0.0015MF	10%	500V	D002		VARIANT (SEE VARIANT PARTS LIST)	
C613	1-164-625-11	CERAMIC	680PF	10%	500V	D003	8-719-991-33	DIODE 1SS133T-77	
C614 Δ	1-129-718-00	FILM	0.022MF	5%	630V	D004	8-719-991-33	DIODE 1SS133T-77	
C615	1-136-169-00	FILM	0.22MF	5%	50V	D005	8-719-109-89	DIODE RD5.6ESB2	
C616	1-136-169-00	FILM	0.22MF	5%	50V	D080	8-719-991-33	DIODE 1SS133T-77	
C617	1-165-127-11	CERAMIC	470PF	10%	500V	D201	8-719-110-17	DIODE RD10ESB2	
C618	1-165-127-11	CERAMIC	470PF	10%	500V	D202	8-719-110-17	DIODE RD10ESB2	
C619	1-123-024-21	ELECT	33MF		160V	D204	8-719-110-17	DIODE RD10ESB2	
C620	1-126-942-61	ELECT	1000MF	20%	25V	D205	8-719-982-22	DIODE MTZJ-30D	
C621		VARIANT (SEE VARIANT PARTS LIST)				D207	8-719-109-66	DIODE RD3.3ESB2	
C623	1-137-368-11	FILM	0.0047MF	5%	50V	D208		VARIANT (SEE VARIANT PARTS LIST)	
C624	1-137-417-11	MYLAR	0.0047MF	10%	200V	D250	8-719-108-12	DIODE RD9.1EW	
C626	1-104-665-11	ELECT	100MF	20%	25V	D251	8-719-108-12	DIODE RD9.1EW	
C629	1-104-665-11	ELECT	100MF	20%	25V	D252	8-719-110-17	DIODE RD10ESB2	
C632	1-126-964-11	ELECT	10MF	20%	50V	D253	8-719-110-17	DIODE RD10ESB2	
C650	1-164-645-11	CERAMIC	1000PF	10%	500V	D254	8-719-110-17	DIODE RD10ESB2	
C651	1-164-645-11	CERAMIC	1000PF	10%	500V	D255	8-719-110-17	DIODE RD10ESB2	
C653	1-104-664-11	ELECT	47MF	20%	25V	D280	8-719-981-99	DIODE MTZJ-3.3	
C654	1-126-382-11	ELECT	100MF	20%	16V	D281	8-719-981-99	DIODE MTZJ-3.3	
C690	1-126-959-11	ELECT	0.47MF	20%	50V	D302	8-719-921-44	DIODE MTZJ-5.1C	
C691	1-126-941-11	ELECT	470MF	20%	25V	D303	8-719-991-33	DIODE 1SS133T-77	
C692	1-104-664-11	ELECT	47MF	20%	25V	D304	8-719-991-33	DIODE 1SS133T-77	
C693	1-136-173-00	FILM	0.47MF	5%	50V	D305	8-719-404-49	DIODE MA111	
		<u>FILTER</u>				D306	8-719-404-49	DIODE MA111	
CF001	1-767-487-11	VIBRATOR, CRYSTAL				D403	8-719-991-33	DIODE 1SS133T-77	



<u>REF.NO.</u>	<u>PART NO.</u>	<u>DESCRIPTION</u>	<u>REMARK</u>	<u>REF.NO.</u>	<u>PART NO.</u>	<u>DESCRIPTION</u>	<u>REMARK</u>
		<u>TRANSISTOR</u>					
Q001	8-729-216-22	TRANSISTOR 2SA1162-G		Q601	8-729-119-78	TRANSISTOR 2SC2785-HFE	
Q002	8-729-422-27	TRANSISTOR 2SD601A-Q		Q604	8-729-119-78	TRANSISTOR 2SC2785-HFE	
Q080	8-729-422-27	TRANSISTOR 2SD601A-Q		Q608		VARIANT (SEE VARIANT PARTS LIST)	
Q081	8-729-216-22	TRANSISTOR 2SA1162-G		Q650	8-729-111-55	TRANSISTOR 2SD1312-K	
Q200	8-729-422-27	TRANSISTOR 2SD601A-Q		Q670	8-729-140-96	TRANSISTOR 2SD774-34	
						<u>RESISTOR</u>	
Q201	8-729-422-27	TRANSISTOR 2SD601A-Q		R001	1-216-033-00	RES, CHIP 220 5%	1/10W
Q203	8-729-119-76	TRANSISTOR 2SA1175-HFE		R002	1-216-073-00	RES, CHIP 10K 5%	1/10W
Q204	8-729-422-27	TRANSISTOR 2SD601A-Q		R003	1-216-033-00	RES, CHIP 220 5%	1/10W
Q280	8-729-216-22	TRANSISTOR 2SA1162-G		R004	1-216-073-00	RES, CHIP 10K 5%	1/10W
Q281	8-729-216-22	TRANSISTOR 2SA1162-G		R005	1-216-025-91	RES, CHIP 100 5%	1/10W
Q282	8-729-216-22	TRANSISTOR 2SA1162-G		R006	1-216-049-91	RES, CHIP 1K 5%	1/10W
Q283	8-729-422-27	TRANSISTOR 2SD601A-Q		R007	1-216-025-91	RES, CHIP 100 5%	1/10W
Q284	8-729-422-27	TRANSISTOR 2SD601A-Q		R008	1-216-033-00	RES, CHIP 220 5%	1/10W
Q285	8-729-422-27	TRANSISTOR 2SD601A-Q		R010	1-216-033-00	RES, CHIP 220 5%	1/10W
Q286	8-729-216-22	TRANSISTOR 2SA1162-G		R011	1-216-033-00	RES, CHIP 220 5%	1/10W
Q287	8-729-216-22	TRANSISTOR 2SA1162-G		R013	1-216-081-00	RES, CHIP 22K 5%	1/10W
Q288	8-729-422-27	TRANSISTOR 2SD601A-Q		R016	1-216-041-00	RES, CHIP 470 5%	1/10W
Q300	8-729-422-27	TRANSISTOR 2SD601A-Q		R017	1-216-113-00	RES, CHIP 470K 5%	1/10W
Q302	8-729-422-27	TRANSISTOR 2SD601A-Q		R018	1-216-049-91	RES, CHIP 1K 5%	1/10W
Q305	8-729-216-22	TRANSISTOR 2SA1162-G		R019	1-249-425-11	CARBON 4.7K 5%	1/4W
Q306	8-729-216-22	TRANSISTOR 2SA1162-G		R025	1-249-426-11	CARBON 5.6K 5%	1/4W
Q307	8-729-216-22	TRANSISTOR 2SA1162-G		R026	1-249-426-11	CARBON 5.6K 5%	1/4W
Q308	8-729-216-22	TRANSISTOR 2SA1162-G		R027	1-249-426-11	CARBON 5.6K 5%	1/4W
Q309	8-729-216-22	TRANSISTOR 2SA1162-G		R028	1-216-049-91	RES, CHIP 1K 5%	1/10W
Q310	8-729-216-22	TRANSISTOR 2SA1162-G		R031	1-216-045-00	RES, CHIP 680 5%	1/10W
Q350		VARIANT (SEE VARIANT PARTS LIST)		R032	1-247-815-91	CARBON 220 5%	1/4W
Q351		VARIANT (SEE VARIANT PARTS LIST)		R033	1-247-815-91	CARBON 220 5%	1/4W
Q352		VARIANT (SEE VARIANT PARTS LIST)		R034	1-216-033-00	RES, CHIP 220 5%	1/10W
Q353		VARIANT (SEE VARIANT PARTS LIST)		R035	1-216-033-00	RES, CHIP 220 5%	1/10W
Q354		VARIANT (SEE VARIANT PARTS LIST)		R038	1-216-049-91	RES, CHIP 1K 5%	1/10W
Q355		VARIANT (SEE VARIANT PARTS LIST)		R040	1-249-413-11	CARBON 470 5%	1/4W
Q356		VARIANT (SEE VARIANT PARTS LIST)		R043	1-249-417-11	CARBON 1K 5%	1/4W
Q357		VARIANT (SEE VARIANT PARTS LIST)		R044	1-247-815-91	CARBON 220 5%	1/4W
Q358		VARIANT (SEE VARIANT PARTS LIST)		R045	1-216-065-91	RES, CHIP 4.7K 5%	1/10W
Q359		VARIANT (SEE VARIANT PARTS LIST)		R046	1-247-815-91	CARBON 220 5%	1/4W
Q360		VARIANT (SEE VARIANT PARTS LIST)		R047	1-216-065-91	RES, CHIP 4.7K 5%	1/10W
Q390	8-729-422-27	TRANSISTOR 2SD601A-Q		R048	1-216-025-91	RES, CHIP 100 5%	1/10W
Q400	8-729-422-27	TRANSISTOR 2SD601A-Q		R049	1-216-089-91	RES, CHIP 47K 5%	1/10W
Q501	8-729-140-50	TRANSISTOR 2SC3209LK		R050	1-216-073-00	RES, CHIP 10K 5%	1/10W
Q502	8-729-043-43	TRANSISTOR 2SC5426-01		R051	1-216-033-00	RES, CHIP 220 5%	1/10W
Q521	8-729-422-27	TRANSISTOR 2SD601A-Q		R054	1-216-073-00	RES, CHIP 10K 5%	1/10W
Q522	8-729-809-29	TRANSISTOR 2SC4159-E		R056	1-249-425-11	CARBON 4.7K 5%	1/4W
Q550	8-729-119-78	TRANSISTOR 2SC2785-HFE		R057	1-216-065-91	RES, CHIP 4.7K 5%	1/10W
Q555	8-729-422-27	TRANSISTOR 2SD601A-Q		R058	1-216-065-91	RES, CHIP 4.7K 5%	1/10W
Q571	8-729-200-17	TRANSISTOR 2SA1091-O		R066	1-216-033-00	RES, CHIP 220 5%	1/10W



COMMON PARTS LISTING

REF.NO.	PART NO.	DESCRIPTION	REMARK	REF.NO.	PART NO.	DESCRIPTION	REMARK
R067	1-216-033-00	RES, CHIP	220 5% 1/10W	R224	1-216-073-00	RES, CHIP	10K 5% 1/10W
R068	1-247-815-91	CARBON	220 5% 1/4W	R225	1-216-073-00	RES, CHIP	10K 5% 1/10W
R069	1-247-815-91	CARBON	220 5% 1/4W	R226	1-249-425-11	CARBON	4.7K 5% 1/4W
R070	1-249-425-11	CARBON	4.7K 5% 1/4W	R227	1-216-097-91	RES, CHIP	100K 5% 1/10W
R071	1-216-065-91	RES, CHIP	4.7K 5% 1/10W	R228	1-216-065-91	RES, CHIP	4.7K 5% 1/10W
R073	1-249-425-11	CARBON	4.7K 5% 1/4W	R229	1-216-097-91	RES, CHIP	100K 5% 1/10W
R074	1-216-073-00	RES, CHIP	10K 5% 1/10W	R230	1-216-073-00	RES, CHIP	10K 5% 1/10W
R075	1-216-073-00	RES, CHIP	10K 5% 1/10W	R231		VARIANT (SEE VARIANT PARTS LIST)	
R076	1-216-121-91	RES, CHIP	1M 5% 1/10W	R232		VARIANT (SEE VARIANT PARTS LIST)	
R077	1-216-097-91	RES, CHIP	100K 5% 1/10W	R233		VARIANT (SEE VARIANT PARTS LIST)	
R078	1-247-815-91	CARBON	220 5% 1/4W	R234		VARIANT (SEE VARIANT PARTS LIST)	
R080	1-247-863-91	CARBON	22K 5% 1/4W	R235		VARIANT (SEE VARIANT PARTS LIST)	
R081		VARIANT (SEE VARIANT PARTS LIST)		R236		VARIANT (SEE VARIANT PARTS LIST)	
R082	1-216-073-00	RES, CHIP	10K 5% 1/10W	R237		VARIANT (SEE VARIANT PARTS LIST)	
R083	1-216-041-00	RES, CHIP	470 5% 1/10W	R238		VARIANT (SEE VARIANT PARTS LIST)	
R084	1-249-429-11	CARBON	10K 5% 1/4W	R241	1-216-065-91	RES, CHIP	4.7K 5% 1/10W
R085	1-216-049-91	RES, CHIP	1K 5% 1/10W	R242	1-216-083-00	RES, CHIP	27K 5% 1/10W
R086	1-216-045-00	RES, CHIP	680 5% 1/10W	R243	1-216-689-11	RES, CHIP	39K 5% 1/10W
R087	1-216-045-00	RES, CHIP	680 5% 1/10W	R244	1-216-049-91	RES, CHIP	1K 5% 1/10W
R088	1-216-045-00	RES, CHIP	680 5% 1/10W	R245	1-216-049-91	RES, CHIP	1K 5% 1/10W
R091	1-216-073-00	RES, CHIP	10K 5% 1/10W	R246	1-249-425-11	CARBON	4.7K 5% 1/4W
R092	1-216-073-00	RES, CHIP	10K 5% 1/10W	R247	1-249-425-11	CARBON	4.7K 5% 1/4W
R096	1-216-045-00	RES, CHIP	680 5% 1/10W	R248	1-216-049-91	RES, CHIP	1K 5% 1/10W
R101	1-216-073-00	RES, CHIP	10K 5% 1/10W	R249	1-216-025-91	RES, CHIP	100 5% 1/10W
R150	1-216-025-91	RES, CHIP	100 5% 1/10W	R250	1-216-033-00	RES, CHIP	220 5% 1/10W
R151	1-216-025-91	RES, CHIP	100 5% 1/10W	R251	1-216-025-91	RES, CHIP	100 5% 1/10W
R200	1-216-022-00	RES, CHIP	75 5% 1/10W	R252	1-216-033-00	RES, CHIP	220 5% 1/10W
R201	1-216-113-00	RES, CHIP	470K 5% 1/10W	R253	1-215-899-11	METAL OXIDE	15K 5% 2W F
R202	1-216-113-00	RES, CHIP	470K 5% 1/10W	R254	1-216-033-00	RES, CHIP	220 5% 1/10W
R203	1-216-025-91	RES, CHIP	100 5% 1/10W	R256	1-216-033-00	RES, CHIP	220 5% 1/10W
R204	1-216-043-91	RES, CHIP	560 5% 1/10W	R257	1-249-429-11	CARBON	10K 5% 1/4W
R205	1-216-043-91	RES, CHIP	560 5% 1/10W	R258	1-216-033-00	RES, CHIP	220 5% 1/10W
R207	1-216-025-91	RES, CHIP	100 5% 1/10W	R259	1-216-033-00	RES, CHIP	220 5% 1/10W
R209	1-216-025-91	RES, CHIP	100 5% 1/10W	R260	1-216-025-91	RES, CHIP	100 5% 1/10W
R210	1-216-073-00	RES, CHIP	10K 5% 1/10W	R261	1-216-025-91	RES, CHIP	100 5% 1/10W
R211		VARIANT (SEE VARIANT PARTS LIST)		R262	1-216-025-91	RES, CHIP	100 5% 1/10W
R212		VARIANT (SEE VARIANT PARTS LIST)		R263	1-247-815-91	CARBON	220 5% 1/4W
R213	1-216-057-00	RES, CHIP	2.2K 5% 1/10W	R264	1-247-815-91	CARBON	220 5% 1/4W
R214	1-216-113-00	RES, CHIP	470K 5% 1/10W	R265	1-249-425-11	CARBON	4.7K 5% 1/4W
R215	1-216-033-00	RES, CHIP	220 5% 1/10W	R266	1-249-425-11	CARBON	4.7K 5% 1/4W
R216	1-216-113-00	RES, CHIP	470K 5% 1/10W	R267	1-216-022-00	RES, CHIP	75 5% 1/10W
R217	1-216-033-00	RES, CHIP	220 5% 1/10W	R268	1-216-022-00	RES, CHIP	75 5% 1/10W
R218	1-216-067-00	RES, CHIP	5.6K 5% 1/10W	R269	1-216-049-91	RES, CHIP	1K 5% 1/10W
R219	1-216-073-00	RES, CHIP	10K 5% 1/10W	R270	1-216-022-00	RES, CHIP	75 5% 1/10W
R220	1-216-073-00	RES, CHIP	10K 5% 1/10W	R271	1-216-113-00	RES, CHIP	470K 5% 1/10W
R221	1-216-073-00	RES, CHIP	10K 5% 1/10W	R272	1-216-113-00	RES, CHIP	470K 5% 1/10W
R222	1-216-067-00	RES, CHIP	5.6K 5% 1/10W	R273	1-216-065-91	RES, CHIP	4.7K 5% 1/10W
R223	1-216-073-00	RES, CHIP	10K 5% 1/10W	R274	1-216-065-91	RES, CHIP	4.7K 5% 1/10W
				R276	1-216-295-91	SHORT	

<u>REF.NO.</u>	<u>PART NO.</u>	<u>DESCRIPTION</u>	<u>REMARK</u>			<u>REF.NO.</u>	<u>PART NO.</u>	<u>DESCRIPTION</u>	<u>REMARK</u>		
R277	1-216-295-91	SHORT				R331	1-216-025-91	RES, CHIP	100	5%	1/10W
R278		VARIANT (SEE VARIANT PARTS LIST)				R333	1-216-049-91	RES, CHIP	1K	5%	1/10W
R279	1-249-425-11	CARBON	4.7K	5%	1/4W	R334		VARIANT (SEE VARIANT PARTS LIST)			
R280	1-247-807-31	CARBON	100	5%	1/4W	R335	1-216-057-00	RES, CHIP	2.2K	5%	1/10W
R281	1-216-025-91	RES, CHIP	100	5%	1/10W	R336	1-216-057-00	RES, CHIP	2.2K	5%	1/10W
R282	1-216-025-91	RES, CHIP	100	5%	1/10W	R337	1-216-057-00	RES, CHIP	2.2K	5%	1/10W
R284	1-260-091-11	CARBON	220	5%	1/2W	R340	1-249-417-11	CARBON	1K	5%	1/4W
R285	1-216-065-91	RES, CHIP	4.7K	5%	1/10W	R341	1-216-073-00	RES, CHIP	10K	5%	1/10W
R286	1-216-065-91	RES, CHIP	4.7K	5%	1/10W	R342	1-216-069-00	RES, CHIP	6.8K	5%	1/10W
R287	1-216-065-91	RES, CHIP	4.7K	5%	1/10W	R343		VARIANT (SEE VARIANT PARTS LIST)			
R288	1-249-425-11	CARBON	4.7K	5%	1/4W	R344	1-216-295-91	SHORT			
R289	1-216-021-00	RES, CHIP	68	5%	1/10W	R345		VARIANT (SEE VARIANT PARTS LIST)			
R290	1-216-113-00	RES, CHIP	470K	5%	1/10W	R346		VARIANT (SEE VARIANT PARTS LIST)			
R291	1-216-113-00	RES, CHIP	470K	5%	1/10W	R347	1-216-049-91	RES, CHIP	1K	5%	1/10W
R292	1-216-113-00	RES, CHIP	470K	5%	1/10W	R350		VARIANT (SEE VARIANT PARTS LIST)			
R293	1-216-069-00	RES, CHIP	6.8K	5%	1/10W	R351		VARIANT (SEE VARIANT PARTS LIST)			
R294	1-249-427-11	CARBON	6.8K	5%	1/4W	R352		VARIANT (SEE VARIANT PARTS LIST)			
R295	1-249-427-11	CARBON	6.8K	5%	1/4W	R353		VARIANT (SEE VARIANT PARTS LIST)			
R296	1-249-437-11	CARBON	47K	5%	1/4W	R354		VARIANT (SEE VARIANT PARTS LIST)			
R297	1-216-043-91	RES, CHIP	560	5%	1/10W	R355		VARIANT (SEE VARIANT PARTS LIST)			
R298	1-216-041-00	RES, CHIP	470	5%	1/10W	R356	1-216-059-00	RES, CHIP	2.7K	5%	1/10W
R299	1-249-425-11	CARBON	4.7K	5%	1/4W	R357		VARIANT (SEE VARIANT PARTS LIST)			
R300		VARIANT (SEE VARIANT PARTS LIST)				R358		VARIANT (SEE VARIANT PARTS LIST)			
R301	1-216-295-91	SHORT				R359		VARIANT (SEE VARIANT PARTS LIST)			
R302		VARIANT (SEE VARIANT PARTS LIST)				R361		VARIANT (SEE VARIANT PARTS LIST)			
R304	1-216-073-00	RES, CHIP	10K	5%	1/10W	R362		VARIANT (SEE VARIANT PARTS LIST)			
R305	1-216-033-00	RES, CHIP	220	5%	1/10W	R363		VARIANT (SEE VARIANT PARTS LIST)			
R306	1-208-806-11	RES, CHIP	10K	0.50%	1/10W	R364		VARIANT (SEE VARIANT PARTS LIST)			
R307		VARIANT (SEE VARIANT PARTS LIST)				R365		VARIANT (SEE VARIANT PARTS LIST)			
R308		VARIANT (SEE VARIANT PARTS LIST)				R366		VARIANT (SEE VARIANT PARTS LIST)			
R310	1-216-049-91	RES, CHIP	1K	5%	1/10W	R367		VARIANT (SEE VARIANT PARTS LIST)			
R312	1-216-033-00	RES, CHIP	220	5%	1/10W	R368		VARIANT (SEE VARIANT PARTS LIST)			
R313	1-216-033-00	RES, CHIP	220	5%	1/10W	R369		VARIANT (SEE VARIANT PARTS LIST)			
R314	1-216-033-00	RES, CHIP	220	5%	1/10W	R370	1-216-033-00	RES, CHIP	220	5%	1/10W
R315	1-216-033-00	RES, CHIP	220	5%	1/10W	R372		VARIANT (SEE VARIANT PARTS LIST)			
R316	1-247-807-31	CARBON	100	5%	1/4W	R373		VARIANT (SEE VARIANT PARTS LIST)			
R317		VARIANT (SEE VARIANT PARTS LIST)				R374		VARIANT (SEE VARIANT PARTS LIST)			
R318	1-216-025-91	RES, CHIP	100	5%	1/10W	R375		VARIANT (SEE VARIANT PARTS LIST)			
R319	1-216-073-00	RES, CHIP	10K	5%	1/10W	R376		VARIANT (SEE VARIANT PARTS LIST)			
R320		VARIANT (SEE VARIANT PARTS LIST)				R377		VARIANT (SEE VARIANT PARTS LIST)			
R321		VARIANT (SEE VARIANT PARTS LIST)				R378		VARIANT (SEE VARIANT PARTS LIST)			
R322		VARIANT (SEE VARIANT PARTS LIST)				R379		VARIANT (SEE VARIANT PARTS LIST)			
R323	1-216-037-00	RES, CHIP	330	5%	1/10W	R380		VARIANT (SEE VARIANT PARTS LIST)			
R324	1-216-065-91	RES, CHIP	4.7K	5%	1/10W	R381		VARIANT (SEE VARIANT PARTS LIST)			
R328	1-247-807-31	CARBON	100	5%	1/4W	R387	1-216-067-00	RES, CHIP	5.6K	5%	1/10W
R329	1-216-025-91	RES, CHIP	100	5%	1/10W	R388	8-719-976-99	DIODE DTZ5.1B			
R330	1-216-025-91	RES, CHIP	100	5%	1/10W	R390	1-247-807-31	CARBON	100	5%	1/4W
						R391		VARIANT (SEE VARIANT PARTS LIST)			



COMMON PARTS LISTING

Note:

The components identified with shading and a critical symbol (Δ) are critical for safety. Replace only with part number specified.

Note:

The components identified by \boxtimes in this manual have been carefully factory-selected for each set in order to satisfy regulations regarding X-ray radiation. Should replacement be required, replace only with the value originally used.

REF.NO.	PART NO.	DESCRIPTION	REMARK	REF.NO.	PART NO.	DESCRIPTION	REMARK
R392	1-216-049-91	RES, CHIP	1K 5% 1/10W	R555		VARIANT (SEE VARIANT PARTS LIST)	
R399	1-216-295-91	SHORT		R556		VARIANT (SEE VARIANT PARTS LIST)	
R400	1-247-863-91	CARBON	22K 5% 1/4W	R557		VARIANT (SEE VARIANT PARTS LIST)	
R401	1-216-097-91	RES, CHIP	100K 5% 1/10W	R558		VARIANT (SEE VARIANT PARTS LIST)	
R402	1-216-121-91	RES, CHIP	1M 5% 1/10W	R559		VARIANT (SEE VARIANT PARTS LIST)	
R403	1-247-815-91	CARBON	220 5% 1/4W	R561 Δ	1-249-377-11	CARBON 0.47 5% 1/4W	F
R404	1-247-815-91	CARBON	220 5% 1/4W	R562 Δ	1-260-288-11	CARBON 0.47 5% 1/2W	
R405	1-216-097-91	RES, CHIP	100 5% 1/10W	R571	1-216-365-00	METAL OXIDE 0.47 5% 2W	F
R406	1-216-025-91	RES, CHIP	100 5% 1/10W	R572	1-249-429-11	CARBON 10K 5% 1/4W	
R432	1-249-429-11	CARBON	10K 5% 1/4W	R573	1-247-895-91	CARBON 470K 5% 1/4W	
R501	1-247-843-11	CARBON	3.3K 5% 1/4W	R574	1-249-416-11	CARBON 820 5% 1/4W	F
R502	1-215-892-11	METAL OXIDE	1K 5% 2W	R575	1-247-895-91	CARBON 470K 5% 1/4W	
R503	1-249-426-11	CARBON	5.6K 5% 1/4W	R576	1-249-441-11	CARBON 100K 5% 1/4W	
R504	1-216-349-00	METAL OXIDE	1 5% 1W	R578	1-215-902-11	METAL OXIDE 47K 5% 1W	F
R505	1-249-401-11	CARBON	47 5% 1/4W	R579	1-208-777-11	RES, CHIP 620 0.50% 1/10W	
R506	1-215-860-11	METAL OXIDE	33 5% 1W	R580	1-249-440-11	CARBON 82K 5% 1/4W	F
R507	1-260-097-11	CARBON	680 5% 1/2W	R581	1-249-427-11	CARBON 6.8K 5% 1/4W	
R508	1-216-449-11	METAL OXIDE	56 5% 2W	R582	1-208-806-11	RES, CHIP 10K 0.50% 1/10W	
R509	1-216-481-11	METAL OXIDE	1.2K 5% 3W	R583	1-208-830-11	RES, CHIP 100K 0.50% 1/10W	F
R510	1-216-449-11	METAL OXIDE	56 5% 2W	\boxtimes R584	1-208-822-11	RES, CHIP 47K 0.50% 1/10W	
R520	1-215-861-00	METAL OXIDE	47 5% 1W	R585	1-216-073-00	RES, CHIP 10K 5% 1/10W	F
R521	1-249-411-11	CARBON	330 5% 1/4W	R586	1-216-073-00	RES, CHIP 10K 5% 1/10W	
R522	1-249-415-11	CARBON	680 5% 1/4W	R587	1-216-073-00	RES, CHIP 10K 5% 1/10W	
R523	1-216-073-00	RES, CHIP	10K 5% 1/10W	R591	1-215-882-00	METAL OXIDE 22 5% 2W	F
R524	1-249-429-11	CARBON	10K 5% 1/4W	R600		VARIANT (SEE VARIANT PARTS LIST)	
R525	1-249-427-11	CARBON	6.8K 5% 1/4W	R601		VARIANT (SEE VARIANT PARTS LIST)	
R526	1-216-081-00	RES, CHIP	22K 5% 1/10W	R602		VARIANT (SEE VARIANT PARTS LIST)	
R527	1-216-079-00	RES, CHIP	18K 5% 1/10W	R603		VARIANT (SEE VARIANT PARTS LIST)	
R528	1-249-421-11	CARBON	2.2K 5% 1/4W	R604	1-260-131-11	CARBON 470K 5% 1/2W	
R529	1-216-101-00	RES, CHIP	150K 5% 1/10W	R605	1-260-131-11	CARBON 470K 5% 1/2W	
R530	1-216-089-91	RES, CHIP	47K 5% 1/10W	R606	1-220-926-11	FUSIBLE 0.47 10% 1/2W	F
R532	1-215-437-00	METAL	4.7K 1% 1/4W	R608	1-220-388-21	METAL OXIDE 68K 5% 1W	F
R533 Δ	1-215-461-00	METAL	47K 1% 1/4W	R609	1-220-388-21	METAL OXIDE 68K 5% 1W	F
R534	1-215-451-00	METAL	18K 1% 1/4W	R610	1-220-388-21	METAL OXIDE 68K 5% 1W	F
R535	1-249-441-11	CARBON	100K 5% 1/4W	R611	1-220-388-21	METAL OXIDE 68K 5% 1W	F
R541	1-249-430-11	CARBON	12K 5% 1/4W	R612	1-216-349-00	METAL OXIDE 1 5% 1W	F
R542	1-249-429-11	CARBON	10K 5% 1/4W	R613	1-216-349-00	METAL OXIDE 1 5% 1W	F
R543	1-249-429-11	CARBON	10K 5% 1/4W	R618	1-212-857-00	FUSIBLE 10 5% 1/4W	F
R544	1-216-351-00	METAL OXIDE	1.5 5% 1W	R622	1-249-393-11	CARBON 10 5% 1/4W	F
R546	1-215-890-11	METAL OXIDE	470 5% 2W	R623	1-249-441-11	CARBON 100K 5% 1/4W	
R547	1-249-385-11	CARBON	2.2 5% 1/4W	R624	1-249-421-11	CARBON 2.2K 5% 1/4W	F
R548	1-249-430-11	CARBON	12K 5% 1/4W	R630	1-249-421-11	CARBON 2.2K 5% 1/4W	
R549	1-249-429-11	CARBON	10K 5% 1/4W	R631	1-249-429-11	CARBON 10K 5% 1/4W	
R550	1-249-421-11	CARBON	2.2K 5% 1/4W	R641	1-216-389-11	METAL OXIDE 1 5% 3W	F
R551	1-249-413-11	CARBON	470 5% 1/4W	R642	1-249-437-11	CARBON 47K 5% 1/4W	
R552	1-247-887-00	CARBON	220K 5% 1/4W	R647	1-249-429-11	CARBON 10K 5% 1/4W	
R553	1-260-312-11	CARBON	47 5% 1/2W	R650	1-249-415-11	CARBON 680 5% 1/4W	
R554		VARIANT (SEE VARIANT PARTS LIST)		R670	1-249-421-11	CARBON 2.2K 5% 1/4W	

Note:

The components identified with shading and a critical symbol (Δ) are critical for safety. Replace only with part number specified.

Note:

Les composants identifiés par un trame et une marque Δ sont critiques pour la sécurité. Ne les remplacer que par une pièce portant le numéro spécifié.



REF.NO.	PART NO.	DESCRIPTION	REMARK
R671	1-249-417-11	CARBON	1K 5% 1/4W
R673	1-249-421-11	CARBON	2.2K 5% 1/4W
R674	1-247-863-91	CARBON	22K 5% 1/4W
R675	1-215-859-00	METAL OXIDE	22 5% 1W F
R690	1-216-355-11	METAL OXIDE	3.3 5% 1W F
R691	1-249-395-11	CARBON	15 5% 1/4W
R692	1-249-395-11	CARBON	15 5% 1/4W
R699	1-249-413-11	CARBON	470 5% 1/4W F

RELAY

RY601 Δ	1-755-018-11	RELAY
RY602 Δ	1-755-266-11	RELAY, AC POWER

SWITCH

SW501	1-572-707-11	SWITCH, LEVER
-------	--------------	---------------

TRANSFORMER

T501	1-437-210-11	TRANSFORMER, HORIZONTAL DRIVE
T502	1-431-731-11	TRANSFORMER, MODULATION
T504 Δ	1-453-268-11	FLYBACK TRANSFORMER ASSY, NX-4005//X4J4
T602 Δ	1-429-992-11	TRANSFORMER, CONVERTER (PRT)
T603 Δ	1-431-837-11	TRANSFORMER, CONVERTER (PIT)

THERMISTOR

THP601		VARIANT (SEE VARIANT PARTS LIST)
--------	--	----------------------------------

TUNER

TU101 Δ	8-598-431-00	TUNER, FSS BTF-WA411
----------------	--------------	----------------------

VARISTOR

VDR602	1-809-267-41	VARISTOR ERZV10D471
--------	--------------	---------------------

CRYSTAL

X300		VARIANT (SEE VARIANT PARTS LIST)
X301	1-567-505-11	OSCILLATOR, CRYSTAL
X302		VARIANT (SEE VARIANT PARTS LIST)

A BOARD VARIANT PARTS LIST

The parts on this page belong to the following model(s) only:

KV-27V40/29VL40

REF.NO. PART NO. DESCRIPTION REMARK

A BOARD VARIANT LIST: 27V40/29VL40

CAPACITOR

C307	1-126-964-11	ELECT	10MF	20%	50V
C309	1-163-021-91	CERAMIC	0.01MF	10%	50V
C314	1-163-003-11	CERAMIC	330PF	10%	50V
C323	1-163-243-11	CERAMIC	47PF	5%	50V
C324	1-163-251-11	CERAMIC	100PF	5%	50V
C331	1-163-005-11	CERAMIC	470PF	10%	50V
C332	1-163-009-11	CERAMIC	0.001MF	10%	50V
C350	1-163-021-91	CERAMIC	0.01MF	10%	50V
C351	1-126-964-11	ELECT	10MF	20%	50V
C352	1-163-021-91	CERAMIC	0.01MF	10%	50V
C353	1-163-038-91	CERAMIC	0.1MF		25V
C354	1-163-038-91	CERAMIC	0.1MF		25V
C355	1-164-222-11	CERAMIC	0.22MF		25V
C356	1-163-038-91	CERAMIC	0.1MF		25V
C357	1-163-021-91	CERAMIC	0.01MF	10%	50V
C358	1-104-664-11	ELECT	47MF	20%	25V
C359	1-163-021-91	CERAMIC	0.01MF	10%	50V
C360	1-163-021-91	CERAMIC	0.01MF	10%	50V
C361	1-163-037-11	CERAMIC	0.022MF	10%	50V
C362	1-126-964-11	ELECT	10MF	20%	50V
C380	1-163-021-91	CERAMIC	0.01MF	10%	50V
C381	1-163-021-91	CERAMIC	0.01MF	10%	50V
C382	1-163-021-91	CERAMIC	0.01MF	10%	50V
C420	1-126-964-11	ELECT	10MF	20%	50V
C621	1-126-941-11	ELECT	470MF	20%	25V

CONNECTOR

CN252 1-564-506-11 PLUG, CONNECTOR 3P

DIODE

D002 1-810-039-31 LED UNIT

IC

IC010 8-759-710-86 IC NJM2233BM
 IC301 8-752-083-09 IC CXA2061S
 IC302 8-752-385-80 IC CXD2073S
 IC401 8-759-490-17 IC TDA7057AQ/N2

REF.NO. PART NO. DESCRIPTION REMARK

COIL

L350 1-412-029-11 INDUCTOR 10UH
 L351 1-412-029-11 INDUCTOR 10UH

TRANSISTOR

Q350 8-729-216-22 TRANSISTOR 2SA1162-G
 Q351 8-729-422-27 TRANSISTOR 2SD601A-Q
 Q352 8-729-216-22 TRANSISTOR 2SA1162-G
 Q353 8-729-216-22 TRANSISTOR 2SA1162-G
 Q354 8-729-216-22 TRANSISTOR 2SA1162-G
 Q355 8-729-422-27 TRANSISTOR 2SD601A-Q
 Q356 8-729-216-22 TRANSISTOR 2SA1162-G
 Q357 8-729-216-22 TRANSISTOR 2SA1162-G
 Q358 8-729-422-27 TRANSISTOR 2SD601A-Q
 Q359 8-729-216-22 TRANSISTOR 2SA1162-G
 Q360 8-729-216-22 TRANSISTOR 2SA1162-G
 Q608 8-729-119-76 TRANSISTOR 2SA1175-HFE

RESISTOR

R231 1-216-065-91 RES, CHIP 4.7K 5% 1/10W
 R232 1-249-427-11 CARBON 6.8K 5% 1/4W
 R233 1-249-427-11 CARBON 6.8K 5% 1/4W
 R234 1-247-843-11 CARBON 3.3K 5% 1/4W
 R235 1-247-843-11 CARBON 3.3K 5% 1/4W
 R236 1-249-425-11 CARBON 4.7K 5% 1/4W
 R237 1-249-427-11 CARBON 6.8K 5% 1/4W
 R238 1-249-427-11 CARBON 6.8K 5% 1/4W
 R307 1-216-065-91 RES, CHIP 4.7K 5% 1/10W
 R308 1-216-025-91 RES, CHIP 100 5% 1/10W
 R317 1-216-025-91 RES, CHIP 100 5% 1/10W
 R318 1-216-025-91 RES, CHIP 100 5% 1/10W
 R320 1-216-025-91 RES, CHIP 100 5% 1/10W
 R321 1-216-025-91 RES, CHIP 100 5% 1/10W
 R322 1-216-025-91 RES, CHIP 100 5% 1/10W
 R334 1-216-025-91 RES, CHIP 100 5% 1/10W
 R343 1-216-129-00 RES, CHIP 2.2M 5% 1/10W
 R345 1-216-129-00 RES, CHIP 2.2M 5% 1/10W
 R346 1-216-129-00 RES, CHIP 2.2M 5% 1/10W
 R350 1-208-766-11 RES, CHIP 220 0.50% 1/10W
 R351 1-208-766-11 RES, CHIP 220 0.50% 1/10W
 R352 1-208-794-11 RES, CHIP 3.3K 0.50% 1/10W
 R353 1-216-295-91 SHORT



BOARD VARIANT PARTS LIST

Note:

The components identified with shading and a critical symbol (Δ) are critical for safety. Replace only with part number specified.

Note:

Les composants identifiés par un triangle et une marque Δ sont critiques pour la sécurité. Ne les remplacer que par une pièce portant le numéro spécifié.

The parts on this page belong to the following model(s) only:

KV-27V40/29VL40

REF.NO.	PART NO.	DESCRIPTION	REMARK		
R354	1-208-794-11	RES, CHIP	3.3K	0.50%	1/10W
R355	1-216-295-91	SHORT			
R357	1-216-091-00	RES, CHIP	56K	5%	1/10W
R358	1-216-043-91	RES, CHIP	560	5%	1/10W
R359	1-216-057-00	RES, CHIP	2.2K	5%	1/10W
R361	1-216-049-91	RES, CHIP	1K	5%	1/10W
R362	1-216-043-91	RES, CHIP	560	5%	1/10W
R363	1-216-037-00	RES, CHIP	330	5%	1/10W
R364	1-216-025-91	RES, CHIP	100	5%	1/10W
R365	1-216-025-91	RES, CHIP	100	5%	1/10W
R366	1-216-053-00	RES, CHIP	1.5K	5%	1/10W
R367	1-216-057-00	RES, CHIP	2.2K	5%	1/10W
R368	1-216-033-00	RES, CHIP	220	5%	1/10W
R369	1-216-041-00	RES, CHIP	470	5%	1/10W
R372	1-216-035-00	RES, CHIP	270	5%	1/10W
R373	1-216-025-91	RES, CHIP	100	5%	1/10W
R374	1-216-025-91	RES, CHIP	100	5%	1/10W
R375	1-216-053-00	RES, CHIP	1.5K	5%	1/10W
R376	1-216-049-91	RES, CHIP	1K	5%	1/10W
R377	1-216-049-91	RES, CHIP	1K	5%	1/10W
R378	1-216-041-00	RES, CHIP	470	5%	1/10W
R379	1-216-049-91	RES, CHIP	1K	5%	1/10W
R380	1-208-790-11	RES, CHIP	2.2K	0.50%	1/10W
R381	1-216-053-00	RES, CHIP	1.5K	5%	1/10W
R391	1-216-053-00	RES, CHIP	1.5K	5%	1/10W
R554	1-216-101-00	RES, CHIP	150K	5%	1/10W
R555	1-216-093-00	RES, CHIP	68K	5%	1/10W
R556	1-216-081-00	RES, CHIP	22K	5%	1/10W
R557	1-249-431-11	CARBON	15K	5%	1/4W
R558	1-216-065-91	RES, CHIP	4.7K	5%	1/10W
R559	1-216-121-91	RES, CHIP	1M	5%	1/10W
R601 Δ	1-219-513-11	CARBON	4.7M	5%	1/2W
R602 Δ	1-205-998-11	CEMENTED	1	5%	10W
R603 Δ	1-205-998-11	CEMENTED	1	5%	10W

REF.NO.	PART NO.	DESCRIPTION	REMARK
---------	----------	-------------	--------

THERMISTOR

THP601	1-809-539-11	THERMISTOR	POSITIVE
--------	--------------	------------	----------

A BOARD VARIANT PARTS LIST

The parts on this page belong to the following model(s) only:

KV-27V65/29VL95

REF.NO. PART NO. DESCRIPTION REMARK

A BOARD VARIANT LIST: KV-27V65/29VL95

CAPACITOR

C200	1-126-959-11	ELECT	0.47MF	20%	50V
C252	1-126-959-11	ELECT	0.47MF	20%	50V
C307	1-126-964-11	ELECT	10MF	20%	50V
C309	1-163-021-91	CERAMIC	0.01MF	10%	50V
C314	1-163-003-11	CERAMIC	330PF	10%	50V
C320	1-126-959-11	ELECT	0.47MF	20%	50V
C321	1-163-133-00	CERAMIC	470PF	5%	50V
C323	1-163-243-11	CERAMIC	47PF	5%	50V
C324	1-163-251-11	CERAMIC	100PF	5%	50V
C331	1-163-005-11	CERAMIC	470PF	10%	50V
C332	1-163-009-11	CERAMIC	0.001MF	10%	50V
C350	1-163-021-91	CERAMIC	0.01MF	10%	50V
C351	1-126-964-11	ELECT	10MF	20%	50V
C352	1-163-021-91	CERAMIC	0.01MF	10%	50V
C353	1-163-038-91	CERAMIC	0.1MF		25V
C354	1-163-038-91	CERAMIC	0.1MF		25V
C355	1-164-222-11	CERAMIC	0.22MF		25V
C356	1-163-038-91	CERAMIC	0.1MF		25V
C357	1-163-021-91	CERAMIC	0.01MF	10%	50V
C358	1-104-664-11	ELECT	47MF	20%	25V
C359	1-163-021-91	CERAMIC	0.01MF	10%	50V
C360	1-163-021-91	CERAMIC	0.01MF	10%	50V
C361	1-163-037-11	CERAMIC	0.022MF	10%	50V
C362	1-126-964-11	ELECT	10MF	20%	50V
C420	1-126-960-11	ELECT	1MF	20%	50V
C621	1-126-943-11	ELECT	2200MF	20%	25V

CONNECTOR

CN150	1-564-596-11	PLUG, CONNECTOR 15P			
CN251	1-564-510-11	PLUG, CONNECTOR 7P			
CN302	1-691-616-11	CONNECTOR, BOARD TO BOARD			

DIODE

D208	8-719-982-96	DIODE MTZJ-T-77-2.2A			
------	--------------	----------------------	--	--	--

FERRITE BEAD

FB350	1-216-295-91	SHORT			
-------	--------------	-------	--	--	--

REF.NO. PART NO. DESCRIPTION REMARK

IC

IC010	8-759-710-85	IC NJM2233BD			
IC301	8-752-083-09	IC CXA2061S			
IC302	8-752-385-80	IC CXD2073S			

JACK

J202	1-774-749-11	JACK BLOCK, PIN			
------	--------------	-----------------	--	--	--

COIL

L350	1-412-029-11	INDUCTOR	10UH		
L351	1-412-031-11	INDUCTOR	47UH		

TRANSISTOR

Q350	8-729-216-22	TRANSISTOR 2SA1162-G			
Q351	8-729-422-27	TRANSISTOR 2SD601A-Q			
Q352	8-729-216-22	TRANSISTOR 2SA1162-G			
Q353	8-729-216-22	TRANSISTOR 2SA1162-G			
Q354	8-729-216-22	TRANSISTOR 2SA1162-G			
Q355	8-729-422-27	TRANSISTOR 2SD601A-Q			
Q356	8-729-216-22	TRANSISTOR 2SA1162-G			
Q357	8-729-216-22	TRANSISTOR 2SA1162-G			
Q358	8-729-422-27	TRANSISTOR 2SD601A-Q			
Q359	8-729-216-22	TRANSISTOR 2SA1162-G			
Q360	8-729-216-22	TRANSISTOR 2SA1162-G			
Q608	8-729-026-41	TRANSISTOR 2SA933AS-QRT			

RESISTOR

R231	1-216-057-00	RES, CHIP	2.2K	5%	1/10W
R234	1-249-421-11	CARBON	2.2K	5%	1/4W
R235	1-249-421-11	CARBON	2.2K	5%	1/4W
R236	1-249-421-11	CARBON	2.2K	5%	1/4W
R237	1-249-425-11	CARBON	4.7K	5%	1/4W
R238	1-249-425-11	CARBON	4.7K	5%	1/4W
R278	1-216-295-91	SHORT			
R307	1-216-065-91	RES, CHIP	4.7K	5%	1/10W
R308	1-216-025-91	RES, CHIP	100	5%	1/10W
R317	1-216-025-91	RES, CHIP	100	5%	1/10W
R318	1-216-025-91	RES, CHIP	100	5%	1/10W
R320	1-247-807-31	CARBON	100	5%	1/4W
R321	1-216-025-91	RES, CHIP	100	5%	1/10W
R322	1-216-025-91	RES, CHIP	100	5%	1/10W

**BOARD VARIANT PARTS LIST****Note:**

The components identified with shading and a critical symbol (Δ) are critical for safety. Replace only with part number specified.

Note:

Les composants identifiés par un trame et une marque Δ sont critiques pour la sécurité. Ne les remplacer que par une pièce portant le numéro spécifié.

The parts on this page belong to the following model(s) only:

KV-27V65/29VL95

REF.NO.	PART NO.	DESCRIPTION		REMARK	
R334	1-216-025-91	RES, CHIP	100	5%	1/10W
R343	1-216-129-00	RES, CHIP	2.2M	5%	1/10W
R345	1-216-129-00	RES, CHIP	2.2M	5%	1/10W
R346	1-216-129-00	RES, CHIP	2.2M	5%	1/10W
R350	1-208-766-11	RES, CHIP	220	0.50%	1/10W
R351	1-208-766-11	RES, CHIP	220	0.50%	1/10W
R352	1-208-794-11	RES, CHIP	3.3K	0.50%	1/10W
R353	1-216-295-91	SHORT			
R354	1-208-794-11	RES, CHIP	3.3K	0.50%	1/10W
R355	1-216-295-91	SHORT			
R357	1-216-091-00	RES, CHIP	56K	5%	1/10W
R358	1-216-043-91	RES, CHIP	560	5%	1/10W
R359	1-216-057-00	RES, CHIP	2.2K	5%	1/10W
R361	1-216-049-91	RES, CHIP	1K	5%	1/10W
R362	1-216-043-91	RES, CHIP	560	5%	1/10W
R363	1-216-037-00	RES, CHIP	330	5%	1/10W
R364	1-216-025-91	RES, CHIP	100	5%	1/10W
R365	1-216-025-91	RES, CHIP	100	5%	1/10W
R366	1-216-053-00	RES, CHIP	1.5K	5%	1/10W
R367	1-216-057-00	RES, CHIP	2.2K	5%	1/10W
R368	1-216-033-00	RES, CHIP	220	5%	1/10W
R369	1-216-041-00	RES, CHIP	470	5%	1/10W
R372	1-216-035-00	RES, CHIP	270	5%	1/10W
R373	1-216-025-91	RES, CHIP	100	5%	1/10W
R374	1-216-025-91	RES, CHIP	100	5%	1/10W
R375	1-216-053-00	RES, CHIP	1.5K	5%	1/10W
R376	1-216-049-91	RES, CHIP	1K	5%	1/10W
R377	1-216-049-91	RES, CHIP	1K	5%	1/10W
R378	1-216-041-00	RES, CHIP	470	5%	1/10W
R379	1-216-049-91	RES, CHIP	1K	5%	1/10W
R380	1-208-790-11	RES, CHIP	2.2K	0.50%	1/10W
R381	1-216-053-00	RES, CHIP	1.5K	5%	1/10W
R391	1-216-073-00	RES, CHIP	10K	5%	1/10W
R554	1-216-101-00	RES, CHIP	150K	5%	1/10W
R555	1-216-093-00	RES, CHIP	68K	5%	1/10W
R556	1-216-081-00	RES, CHIP	22K	5%	1/10W
R557	1-249-431-11	CARBON	15K	5%	1/4W
R558	1-216-065-91	RES, CHIP	4.7K	5%	1/10W
R559	1-216-121-91	RES, CHIP	1M	5%	1/10W
R601 Δ	1-219-513-11	CARBON	4.7M	5%	1/2W
R602 Δ	1-205-998-11	CEMENTED	1	5%	10W
R603 Δ	1-205-998-11	CEMENTED	1	5%	10W

REF.NO.	PART NO.	DESCRIPTION	REMARK
		<u>THERMISTOR</u>	
THP601	1-809-539-11	THERMISTOR POSITIVE	

A BOARD VARIANT PARTS LIST

The parts on this page belong to the following model(s) only:

KV-29VL65A

Note:

The components identified with shading and a critical symbol (Δ) are critical for safety. Replace only with part number specified.

Note:

Les composants identifiés par un trame et une marque Δ sont critiques pour la sécurité. Ne les remplacer que par une pièce portant le numéro spécifié.

REF.NO.	PART NO.	DESCRIPTION	REMARK		
A BOARD VARIANT LIST: KV-29VL65A					
<u>CAPACITOR</u>					
C200	1-126-959-11	ELECT	0.47MF	20%	50V
C252	1-126-959-11	ELECT	0.47MF	20%	50V
C300	1-163-099-00	CERAMIC	18PF	5%	50V
C302	1-163-099-00	CERAMIC	18PF	5%	50V
C309	1-163-017-00	CERAMIC	0.0047MF	10%	50V
C320	1-126-957-11	ELECT	0.22MF	20%	50V
C321	1-163-259-91	CERAMIC	220PF	5%	50V
C420	1-126-960-11	ELECT	1MF	20%	50V
C621	1-126-943-11	ELECT	2200MF	20%	25V
<u>CONNECTOR</u>					
CN150	1-564-596-11	PLUG, CONNECTOR 15P			
CN251	1-564-510-11	PLUG, CONNECTOR 7P			
CN302	1-691-616-11	CONNECTOR, BOARD TO BOARD			
<u>DIODE</u>					
D208	8-719-982-96	DIODE MTZJ-T-77-2.2A			
<u>IC</u>					
IC010	8-759-710-85	IC NJM2233BD			
IC301	8-752-082-35	IC CXA2060AS			
<u>JACK</u>					
J202	1-774-749-11	JACK BLOCK, PIN			
<u>TRANSISTOR</u>					
Q288	8-729-422-27	TRANSISTOR 2SD601A-QRS-TX			
Q608	8-729-119-76	TRANSISTOR 2SA1175-HFE			
<u>RESISTOR</u>					
R081	1-249-413-11	CARBON	470	5%	1/4W
R231	1-216-057-00	RES, CHIP	2.2K	5%	1/10W
R234	1-249-421-11	CARBON	2.2K	5%	1/4W
R235	1-249-421-11	CARBON	2.2K	5%	1/4W
R236	1-249-421-11	CARBON	2.2K	5%	1/4W

REF.NO.	PART NO.	DESCRIPTION	REMARK		
R237	1-249-425-11	CARBON	4.7K	5%	1/4W
R238	1-249-425-11	CARBON	4.7K	5%	1/4W
R278	1-216-295-91	SHORT	0		
R300	1-216-295-91	SHORT	0		
R302	1-216-295-91	SHORT	0		
R307	1-216-075-00	RES, CHIP	12K	5%	1/10W
R391	1-216-073-00	RES, CHIP	10K	5%	1/10W
R600 Δ	1-247-289-00	CARBON	8.2M	5%	1W
R602 Δ	1-205-997-11	CEMENTED	2.2	5%	10W
R603 Δ	1-205-997-11	CEMENTED	2.2	5%	10W
<u>THERMISTOR</u>					
THP601	1-809-827-11	THERMISTOR POSITIVE			
<u>CRYSTAL</u>					
X300	1-579-972-11	VIBRATOR, CRYSTAL			
X302	1-579-973-11	VIBRATOR, CRYSTAL			



BOARD VARIANT PARTS LIST

The parts on this page belong to the following model(s) only:

KV-27V45/29VL85

REF.NO.	PART NO.	DESCRIPTION	REMARK			
A BOARD VARIANT LIST: KV-27V45/29VL85						
<u>CAPACITOR</u>						
C200	1-126-959-11	ELECT	0.47MF	20%	50V	
C307	1-126-964-11	ELECT	10MF	20%	50V	
C309	1-163-021-91	CERAMIC	0.01MF	10%	50V	
C314	1-163-003-11	CERAMIC	330PF	10%	50V	
C320	1-126-959-11	ELECT	0.47MF	20%	50V	
C321	1-163-133-00	CERAMIC	470PF	5%	50V	
C323	1-163-243-11	CERAMIC	47PF	5%	50V	
C324	1-163-251-11	CERAMIC	100PF	5%	50V	
C331	1-163-005-11	CERAMIC	470PF	10%	50V	
C332	1-163-009-11	CERAMIC	0.001MF	10%	50V	
C350	1-163-021-91	CERAMIC	0.01MF	10%	50V	
C351	1-126-964-11	ELECT	10MF	20%	50V	
C352	1-163-021-91	CERAMIC	0.01MF	10%	50V	
C353	1-163-038-91	CERAMIC	0.1MF		25V	
C354	1-163-038-91	CERAMIC	0.1MF		25V	
C355	1-164-222-11	CERAMIC	0.22MF		25V	
C356	1-163-038-91	CERAMIC	0.1MF		25V	
C357	1-163-021-91	CERAMIC	0.01MF	10%	50V	
C358	1-104-664-11	ELECT	47MF	20%	25V	
C359	1-163-021-91	CERAMIC	0.01MF	10%	50V	
C360	1-163-021-91	CERAMIC	0.01MF	10%	50V	
C361	1-163-037-11	CERAMIC	0.022MF	10%	50V	
C362	1-126-964-11	ELECT	10MF	20%	50V	
C420	1-126-960-11	ELECT	1MF	20%	50V	
C621	1-126-941-11	ELECT	470MF	20%	25V	
<u>CONNECTOR</u>						
CN302	1-691-616-11	CONNECTOR, BOARD TO BOARD				
<u>DIODE</u>						
D208	8-719-110-17	DIODE RD10ESB2				
<u>FERRITE BEAD</u>						
FB350	1-216-295-91	SHORT				
<u>IC</u>						
IC301	8-752-083-09	IC CXA2061S				
IC302	8-752-385-80	IC CXD2073S				
IC401	8-759-490-17	IC TDA7057AQ/N2				

REF.NO.	PART NO.	DESCRIPTION	REMARK			
<u>JACK</u>						
J202	1-774-749-11	JACK BLOCK, PIN				
<u>COIL</u>						
L350	1-412-029-11	INDUCTOR	10UH			
L351	1-412-031-11	INDUCTOR	47UH			
<u>TRANSISTOR</u>						
Q350	8-729-216-22	TRANSISTOR 2SA1162-G				
Q351	8-729-422-27	TRANSISTOR 2SD601A-Q				
Q352	8-729-216-22	TRANSISTOR 2SA1162-G				
Q353	8-729-216-22	TRANSISTOR 2SA1162-G				
Q354	8-729-216-22	TRANSISTOR 2SA1162-G				
Q355	8-729-422-27	TRANSISTOR 2SD601A-Q				
Q356	8-729-216-22	TRANSISTOR 2SA1162-G				
Q357	8-729-216-22	TRANSISTOR 2SA1162-G				
Q358	8-729-422-27	TRANSISTOR 2SD601A-Q				
Q359	8-729-216-22	TRANSISTOR 2SA1162-G				
Q360	8-729-216-22	TRANSISTOR 2SA1162-G				
Q608	8-729-026-41	TRANSISTOR 2SA933AS-QRT				
<u>RESISTOR</u>						
R211	1-247-807-31	CARBON	100	5%	1/4W	
R212	1-249-425-11	CARBON	4.7K	5%	1/4W	
R231	1-216-065-91	RES, CHIP	4.7K	5%	1/10W	
R234	1-247-843-11	CARBON	3.3K	5%	1/4W	
R235	1-247-843-11	CARBON	3.3K	5%	1/4W	
R236	1-249-425-11	CARBON	4.7K	5%	1/4W	
R237	1-249-427-11	CARBON	6.8K	5%	1/4W	
R238	1-249-427-11	CARBON	6.8K	5%	1/4W	
R307	1-216-065-91	RES, CHIP	4.7K	5%	1/10W	
R308	1-216-025-91	RES, CHIP	100	5%	1/10W	
R317	1-216-025-91	RES, CHIP	100	5%	1/10W	
R318	1-216-025-91	RES, CHIP	100	5%	1/10W	
R320	1-247-807-31	CARBON	100	5%	1/4W	
R321	1-216-025-91	RES, CHIP	100	5%	1/10W	
R322	1-216-025-91	RES, CHIP	100	5%	1/10W	
R334	1-216-025-91	RES, CHIP	100	5%	1/10W	
R343	1-216-129-00	RES, CHIP	2.2M	5%	1/10W	
R345	1-216-129-00	RES, CHIP	2.2M	5%	1/10W	
R346	1-216-129-00	RES, CHIP	2.2M	5%	1/10W	
R350	1-208-766-11	RES, CHIP	220	0.50%	1/10W	

A BOARD VARIANT PARTS LIST

The parts on this page belong to the following model(s) only:

KV-27V45/29VL85

Note:

The components identified with shading and a critical symbol (Δ) are critical for safety. Replace only with part number specified.

Note:

Les composants identifiés par un trame et une marque Δ sont critiques pour la sécurité. Ne les remplacer que par une pièce portant le numéro spécifié.

REF.NO.	PART NO.	DESCRIPTION	REMARK
R351	1-208-766-11	RES, CHIP 220	0.50% 1/10W
R352	1-208-794-11	RES, CHIP 3.3K	0.50% 1/10W
R353	1-216-295-91	SHORT	
R354	1-208-794-11	RES, CHIP 3.3K	0.50% 1/10W
R355	1-216-295-91	SHORT	
R357	1-216-091-00	RES, CHIP 56K	5% 1/10W
R358	1-216-043-91	RES, CHIP 560	5% 1/10W
R359	1-216-057-00	RES, CHIP 2.2K	5% 1/10W
R361	1-216-049-91	RES, CHIP 1K	5% 1/10W
R362	1-216-043-91	RES, CHIP 560	5% 1/10W
R363	1-216-037-00	RES, CHIP 330	5% 1/10W
R364	1-216-025-91	RES, CHIP 100	5% 1/10W
R365	1-216-025-91	RES, CHIP 100	5% 1/10W
R366	1-216-053-00	RES, CHIP 1.5K	5% 1/10W
R367	1-216-057-00	RES, CHIP 2.2K	5% 1/10W
R368	1-216-033-00	RES, CHIP 220	5% 1/10W
R369	1-216-041-00	RES, CHIP 470	5% 1/10W
R372	1-216-035-00	RES, CHIP 270	5% 1/10W
R373	1-216-025-91	RES, CHIP 100	5% 1/10W
R374	1-216-025-91	RES, CHIP 100	5% 1/10W
R375	1-216-053-00	RES, CHIP 1.5K	5% 1/10W
R376	1-216-049-91	RES, CHIP 1K	5% 1/10W
R377	1-216-049-91	RES, CHIP 1K	5% 1/10W
R378	1-216-041-00	RES, CHIP 470	5% 1/10W
R379	1-216-049-91	RES, CHIP 1K	5% 1/10W
R380	1-208-790-11	RES, CHIP 2.2K	0.50% 1/10W
R381	1-216-053-00	RES, CHIP 1.5K	5% 1/10W
R391	1-216-073-00	RES, CHIP 10K	5% 1/10W
R554	1-216-101-00	RES, CHIP 150K	5% 1/10W
R555	1-216-093-00	RES, CHIP 68K	5% 1/10W
R556	1-216-081-00	RES, CHIP 22K	5% 1/10W
R557	1-249-431-11	CARBON 15K	5% 1/4W
R558	1-216-065-91	RES, CHIP 4.7K	5% 1/10W
R559	1-216-121-91	RES, CHIP 1M	5% 1/10W
R601 Δ	1-219-513-11	CARBON 4.7M	5% 1/2W
R602 Δ	1-205-998-11	CEMENTED 1	5% 10W
R603 Δ	1-205-998-11	CEMENTED 1	5% 10W

REF.NO.	PART NO.	DESCRIPTION	REMARK
---------	----------	-------------	--------

THERMISTOR

THP601 1-809-539-11 THERMISTOR POSITIVE



BOARD VARIANT PARTS LIST

The parts on this page belong to the following model(s) only:

KV-29VL65C

REF.NO.	PART NO.	DESCRIPTION	REMARK
A BOARD VARIANT LIST: KV-29VL65C			
<u>CAPACITOR</u>			
C200	1-126-959-11	ELECT	0.47MF 20% 50V
C252	1-126-959-11	ELECT	0.47MF 20% 50V
C307	1-126-964-11	ELECT	10MF 20% 50V
C309	1-163-021-91	CERAMIC	0.01MF 10% 50V
C314	1-163-003-11	CERAMIC	330PF 10% 50V
C320	1-126-959-11	ELECT	0.47MF 20% 50V
C321	1-163-133-00	CERAMIC	470PF 5% 50V
C323	1-163-243-11	CERAMIC	47PF 5% 50V
C324	1-163-251-11	CERAMIC	100PF 5% 50V
C331	1-163-005-11	CERAMIC	470PF 10% 50V
C332	1-163-009-11	CERAMIC	0.001MF 10% 50V
C350	1-163-021-91	CERAMIC	0.01MF 10% 50V
C351	1-126-964-11	ELECT	10MF 20% 50V
C352	1-163-021-91	CERAMIC	0.01MF 10% 50V
C353	1-163-038-91	CERAMIC	0.1MF 25V
C354	1-163-038-91	CERAMIC	0.1MF 25V
C355	1-164-222-11	CERAMIC	0.22MF 25V
C356	1-163-038-91	CERAMIC	0.1MF 25V
C357	1-163-021-91	CERAMIC	0.01MF 10% 50V
C358	1-104-664-11	ELECT	47MF 20% 25V
C359	1-163-021-91	CERAMIC	0.01MF 10% 50V
C360	1-163-021-91	CERAMIC	0.01MF 10% 50V
C361	1-163-037-11	CERAMIC	0.022MF 10% 50V
C362	1-126-964-11	ELECT	10MF 20% 50V
C420	1-126-960-11	ELECT	1MF 20% 50V
C621	1-126-943-11	ELECT	2200MF 20% 25V
<u>CONNECTOR</u>			
CN150	1-564-596-11	PLUG, CONNECTOR	15P
CN251	1-564-510-11	PLUG, CONNECTOR	7P
CN302	1-691-616-11	CONNECTOR, BOARD TO BOARD	
<u>DIODE</u>			
D002	1-810-039-11	LED UNIT	
D208	8-719-982-96	DIODE MTZJ-T-77-2.2A	
<u>FERRITE BEAD</u>			
FB350	1-216-295-91	SHORT	

REF.NO.	PART NO.	DESCRIPTION	REMARK
<u>IC</u>			
IC010	8-759-710-85	IC NJM2233BD	
IC301	8-752-083-09	IC CXA2061S	
IC302	8-752-385-80	IC CXD2073S	
<u>JACK</u>			
J202	1-774-749-11	JACK BLOCK, PIN	
<u>COIL</u>			
L350	1-412-029-11	INDUCTOR	10UH
L351	1-412-031-11	INDUCTOR	47UH
<u>TRANSISTOR</u>			
Q350	8-729-216-22	TRANSISTOR 2SA1162-G	
Q351	8-729-422-27	TRANSISTOR 2SD601A-Q	
Q352	8-729-216-22	TRANSISTOR 2SA1162-G	
Q353	8-729-216-22	TRANSISTOR 2SA1162-G	
Q354	8-729-216-22	TRANSISTOR 2SA1162-G	
Q355	8-729-422-27	TRANSISTOR 2SD601A-Q	
Q356	8-729-216-22	TRANSISTOR 2SA1162-G	
Q357	8-729-216-22	TRANSISTOR 2SA1162-G	
Q358	8-729-422-27	TRANSISTOR 2SD601A-Q	
Q359	8-729-216-22	TRANSISTOR 2SA1162-G	
Q360	8-729-216-22	TRANSISTOR 2SA1162-G	
Q608	8-729-119-76	TRANSISTOR 2SA1175-HFE	
<u>RESISTOR</u>			
R231	1-216-057-00	RES, CHIP	2.2K 5% 1/10W
R234	1-249-421-11	CARBON	2.2K 5% 1/4W
R235	1-249-421-11	CARBON	2.2K 5% 1/4W
R236	1-249-421-11	CARBON	2.2K 5% 1/4W
R237	1-249-425-11	CARBON	4.7K 5% 1/4W
R238	1-249-425-11	CARBON	4.7K 5% 1/4W
R307	1-216-065-91	RES, CHIP	4.7K 5% 1/10W
R308	1-216-025-91	RES, CHIP	100 5% 1/10W
R317	1-216-025-91	RES, CHIP	100 5% 1/10W
R318	1-216-025-91	RES, CHIP	100 5% 1/10W

A BOARD VARIANT PARTS LIST

The parts on this page belong to the following model(s) only:

KV-29VL65C

REF.NO.	PART NO.	DESCRIPTION		REMARK		REF.NO.	PART NO.	DESCRIPTION	REMARK
R320	1-247-807-31	CARBON	100	5%	1/4W				
R321	1-216-025-91	RES, CHIP	100	5%	1/10W				
R322	1-216-025-91	RES, CHIP	100	5%	1/10W				
R334	1-216-025-91	RES, CHIP	100	5%	1/10W				
R343	1-216-129-00	RES, CHIP	2.2M	5%	1/10W				
R345	1-216-129-00	RES, CHIP	2.2M	5%	1/10W				
R346	1-216-129-00	RES, CHIP	2.2M	5%	1/10W				
R350	1-208-766-11	RES, CHIP	220	0.50%	1/10W				
R351	1-208-766-11	RES, CHIP	220	0.50%	1/10W				
R352	1-208-794-11	RES, CHIP	3.3K	0.50%	1/10W				
R353	1-216-295-91	SHORT	0						
R354	1-208-794-11	RES, CHIP	3.3K	0.50%	1/10W				
R355	1-216-295-91	SHORT	0						
R357	1-216-091-00	RES, CHIP	56K	5%	1/10W				
R358	1-216-043-91	RES, CHIP	560	5%	1/10W				
R359	1-216-057-00	RES, CHIP	2.2K	5%	1/10W				
R361	1-216-049-91	RES, CHIP	1K	5%	1/10W				
R362	1-216-043-91	RES, CHIP	560	5%	1/10W				
R363	1-216-037-00	RES, CHIP	330	5%	1/10W				
R364	1-216-025-91	RES, CHIP	100	5%	1/10W				
R365	1-216-025-91	RES, CHIP	100	5%	1/10W				
R366	1-216-053-00	RES, CHIP	1.5K	5%	1/10W				
R367	1-216-057-00	RES, CHIP	2.2K	5%	1/10W				
R368	1-216-033-00	RES, CHIP	220	5%	1/10W				
R369	1-216-041-00	RES, CHIP	470	5%	1/10W				
R372	1-216-035-00	RES, CHIP	270	5%	1/10W				
R373	1-216-025-91	RES, CHIP	100	5%	1/10W				
R374	1-216-025-91	RES, CHIP	100	5%	1/10W				
R375	1-216-053-00	RES, CHIP	1.5K	5%	1/10W				
R376	1-216-049-91	RES, CHIP	1K	5%	1/10W				
R377	1-216-049-91	RES, CHIP	1K	5%	1/10W				
R378	1-216-041-00	RES, CHIP	470	5%	1/10W				
R379	1-216-049-91	RES, CHIP	1K	5%	1/10W				
R380	1-208-790-11	RES, CHIP	2.2K	0.50%	1/10W				
R381	1-216-053-00	RES, CHIP	1.5K	5%	1/10W				
R391	1-216-053-00	RES, CHIP	1.5K	5%	1/10W				
R554	1-216-101-00	RES, CHIP	150K	5%	1/10W				
R555	1-216-093-00	RES, CHIP	68K	5%	1/10W				
R556	1-216-081-00	RES, CHIP	22K	5%	1/10W				
R557	1-249-431-11	CARBON	15K	5%	1/4W				
R558	1-216-065-91	RES, CHIP	4.7K	5%	1/10W				
R559	1-216-121-91	RES, CHIP	1M	5%	1/10W				
R600	△ 1-247-289-00	CARBON	8.2M	5%	1W				
R602	△ 1-205-997-11	CEMENTED	2.2	5%	10W				
R603	△ 1-205-997-11	CEMENTED	2.2	5%	10W				

Note:

The components identified with shading and a critical symbol (Δ) are critical for safety. Replace only with part number specified.

Note:

Les composants identifiés par un trame et une marque Δ sont critiques pour la sécurité. Ne les remplacer que par une pièce portant le numéro spécifié.

COMPLETE PARTS LISTING



REF.NO.	PART NO.	DESCRIPTION	REMARK	REF.NO.	PART NO.	DESCRIPTION	REMARK
<div style="border: 1px solid black; padding: 2px; display: inline-block;">CV</div>				<u>JACK</u>			
				J1701	Δ 1-251-688-11	SOCKET, CRT	
<p>* A-1331-838-A CV BOARD, COMPLETE (All Models)</p> <p>4-382-854-11 SCREW (M3X10), P, SW (+)</p> <p><u>CAPACITOR</u></p> <p>C944 1-102-129-00 CERAMIC 0.01MF 10% 50V C945 1-102-110-00 CERAMIC 220PF 10% 50V C946 1-104-665-11 ELECT 100MF 20% 25V C949 1-161-830-00 CERAMIC 0.0047MF 500V C950 1-126-941-11 ELECT 470MF 20% 25V</p> <p>C951 1-107-637-11 ELECT 22MF 20% 160V C952 1-104-999-11 MYLAR 0.1MF 10% 200V C953 1-106-383-00 MYLAR 0.047MF 10% 200V C954 1-137-364-11 FILM 0.001MF 5% 50V C955 1-107-667-11 ELECT 2.2MF 20% 160V</p> <p>C956 1-137-364-11 FILM 0.001MF 5% 50V C957 1-106-383-00 MYLAR 0.047MF 10% 200V C958 1-126-941-11 ELECT 470MF 20% 25V C1701 1-107-652-11 ELECT 10MF 20% 250V C1702 1-162-114-00 CERAMIC 0.0047MF 2KV</p> <p>C1705 1-107-667-11 ELECT 2.2MF 20% 160V C1941 1-126-941-11 ELECT 470MF 20% 25V C1948 1-102-121-00 CERAMIC 0.0022MF 10% 50V</p> <p><u>CONNECTOR</u></p> <p>CN942 * 1-564-507-11 PLUG, CONNECTOR 4P CN1701* 1-564-509-11 PLUG, CONNECTOR 6P CN1702 1-564-511-11 PLUG, CONNECTOR 8P CN1703 1-695-915-11 TAB (CONTACT) CN1704 1-695-915-11 TAB (CONTACT)</p> <p><u>DIODE</u></p> <p>D941 8-719-991-33 DIODE 1SS133T-77 D946 8-719-110-88 DIODE RD39ESB2 D947 8-719-110-88 DIODE RD39ESB2 D1704 8-719-901-83 DIODE 1SS83 D1705 8-719-901-83 DIODE 1SS83</p> <p>D1706 8-719-901-83 DIODE 1SS83 D1708 8-719-302-43 DIODE EL1Z</p> <p><u>IC</u></p> <p>IC1701 8-759-535-08 IC TDA6108Q</p>				<u>COIL</u>			
				L1701	1-408-613-31	INDUCTOR 68UH	
				<u>TRANSISTOR</u>			
				Q943	8-729-119-78	TRANSISTOR 2SC2785-HFE	
	Q944	8-729-119-78	TRANSISTOR 2SC2785-HFE				
	Q945	8-729-119-78	TRANSISTOR 2SC2785-HFE				
	Q946	8-729-017-05	TRANSISTOR 2SA1837				
	Q947	8-729-017-06	TRANSISTOR 2SC4793				
	Q965	8-729-119-78	TRANSISTOR 2SC2785-HFE				
	Q966	8-729-119-76	TRANSISTOR 2SA1175-HFE				
				<u>RESISTOR</u>			
				R943	1-247-807-31	CARBON 100 5% 1/4W	
	R948	1-249-417-11	CARBON 1K 5% 1/4W				
	R949	1-249-421-11	CARBON 2.2K 5% 1/4W				
	R950	1-249-417-11	CARBON 1K 5% 1/4W				
	R951	1-249-417-11	CARBON 1K 5% 1/4W				
	R952	1-249-413-11	CARBON 470 5% 1/4W				
	R953	1-249-403-11	CARBON 68 5% 1/4W				
	R954	1-247-815-91	CARBON 220 5% 1/4W				
	R955	1-249-416-11	CARBON 820 5% 1/4W				
	R956	1-247-807-31	CARBON 100 5% 1/4W				
	R957	1-249-429-11	CARBON 10K 5% 1/4W				
	R958	1-247-807-31	CARBON 100 5% 1/4W				
	R959	1-249-403-11	CARBON 68 5% 1/4W				
	R977	1-249-397-11	CARBON 22 5% 1/4W F				
	R979	1-249-401-11	CARBON 47 5% 1/4W				
	R1706	1-260-099-11	CARBON 1K 5% 1/2W				
	R1707	1-260-099-11	CARBON 1K 5% 1/2W				
	R1708	1-260-099-11	CARBON 1K 5% 1/2W				
	R1709	1-260-087-11	CARBON 100 5% 1/2W				
	R1710	1-260-123-11	CARBON 100K 5% 1/2W				
	R1711	1-216-373-11	METAL OXIDE 2.2 5% 2W F				
	R1712	1-216-375-00	METAL OXIDE 3.3 5% 2W F				
	R1713	1-247-807-31	CARBON 100 5% 1/4W				
	R1714	1-247-807-31	CARBON 100 5% 1/4W				
	R1715	1-247-807-31	CARBON 100 5% 1/4W				
	R1720	1-260-132-11	CARBON 560K 5% 1/2W				
	R1941	1-260-312-11	CARBON 47 5% 1/2W				



COMPLETE PARTS LISTING

Note:

The components identified with shading and a critical symbol (Δ) are critical for safety. Replace only with part number specified.

Note:

Les composants identifiés par un trame et une marque Δ sont critiques pour la sécurité. Ne les remplacer que par une pièce portant le numéro spécifié.

REF.NO.	PART NO.	DESCRIPTION	REMARK
R1942	1-249-385-11	CARBON 2.2 5%	1/4W F
R1943	1-249-414-11	CARBON 560 5%	1/4W F
R1944	1-249-432-11	CARBON 18K 5%	1/4W
R1945	1-215-914-11	METAL OXIDE 330 5%	3W F
R1946	1-249-417-11	CARBON 1K 5%	1/4W F
R1947	1-249-432-11	CARBON 18K 5%	1/4W
R1948	1-249-414-11	CARBON 560 5%	1/4W
R1949	1-249-385-11	CARBON 2.2 5%	1/4W F
R1950	1-249-401-11	CARBON 47 5%	1/4W F



* A-1343-525-A E BOARD, COMPLETE
(KV-27V40/29VL40/27V65/29VL95/27V45/29VL85 only)
* A-1343-526-A E BOARD, COMPLETE
(KV-29VL65A/29VL65C only)

1-533-223-11 HOLDER, FUSE

CAPACITOR

C5000	1-107-662-11	ELECT 22MF 20%	250V
C5002	1-107-662-11	ELECT 22MF 20%	250V
C5003	1-136-601-11	FILM 0.01MF 10%	630V
C5004	1-130-471-00	MYLAR 0.001MF 5%	50V
C5006	1-130-471-00	MYLAR 0.001MF 5%	50V
C5007	1-130-467-00	MYLAR 470PF 5%	50V
C5008	1-130-471-00	MYLAR 0.001MF 5%	50V
C5009	1-126-965-11	ELECT 22MF 20%	50V
C5010	1-115-804-91	ELECT 120MF 20%	35V
C5020 Δ	1-113-941-11	CERAMIC 0.0047MF 20%	125V
C5050 Δ	1-136-311-51	FILM 0.47MF 20%	125V (KV-27V40/29VL40/27V65/29VL95/27V45/29VL85 only)
C5050 Δ	1-136-311-61	FILM 0.47MF 20%	300V (KV-29VL65A/29VL65C only)

CONNECTOR

CN5000 *	1-580-843-11	PIN, CONNECTOR (POWER)	2P
CN5001 *	1-564-506-11	PLUG, CONNECTOR	3P
CN5002 *	1-580-843-11	PIN, CONNECTOR (POWER)	2P
CN5003	1-508-786-00	PIN, CONNECTOR (5MM PITCH)	2P

DIODE

D5001	8-719-911-55	DIODE U05G	
D5002	8-719-911-55	DIODE U05G	
D5003	8-719-055-18	DIODE ERA22-08TP3	

REF.NO.	PART NO.	DESCRIPTION	REMARK
D5004	8-719-991-33	DIODE 1SS133T-77	
D5005	8-719-991-33	DIODE 1SS133T-77	
D5006	8-719-109-93	DIODE RD6.2ESB2	
D5007	8-719-510-48	DIODE D1N20R	
D5008	8-719-510-26	DIODE D1NL20-TA	

FUSE

F5050 Δ	1-532-506-51	FUSE 6.3A/250V	
(KV-29VL65A/29VL65C only)			
F5050 Δ	1-576-193-11	FUSE 6.3A/125V	
(KV-27V40/29VL40/27V65/29VL95/27V45/29VL85 only)			

TRANSISTOR

Q5001	8-729-044-30	TRANSISTOR 2SK2845-LB102	
Q5002	8-729-119-78	TRANSISTOR 2SC2785-HFE	

RESISTOR

R5001	1-249-389-11	CARBON 4.7 5%	1/4W F
R5002	1-215-485-00	METAL 470K 1%	1/4W
R5003	1-240-205-91	CARBON 22M 5%	1/2W
R5007	1-249-421-11	CARBON 2.2K 5%	1/4W
R5008	1-249-429-11	CARBON 10K 5%	1/4W
R5009	1-249-437-11	CARBON 47K 5%	1/4W
R5010	1-249-415-11	CARBON 680 5%	1/4W
R5011	1-260-302-51	CARBON 6.8 5%	1/2W
R5012	1-249-417-11	CARBON 1K 5%	1/4W
R5013	1-249-415-11	CARBON 680 5%	1/4W
R5050	1-219-512-11	CARBON 2.2M 5%	1/2W

TRANSFORMER

T5001 Δ	1-431-852-11	TRANSFORMER, CONVERTER (SRT)	
T5050 Δ	1-426-717-11	TRANSFORMER, LINE FILTER (LFT)	

VARISTOR

VDR5050	1-801-074-41	VARISTOR ERZV10D271	
(KV-27V40/29VL40/27V65/29VL95/27V45/29VL85 only)			
VDR5050	1-809-267-41	VARISTOR ERZV10D471	
(KV-29VL65A/29VL65C only)			



REF.NO.	PART NO.	DESCRIPTION	REMARK			
HV						
* A-1372-479-A HV BOARD, COMPLETE (All Models)						
<u>CAPACITOR</u>						
C1407	1-136-173-00	FILM	0.47MF	5%	50V	
C1408	1-136-287-11	FILM	0.0047MF	5%	50V	
C1409	1-136-173-00	FILM	0.47MF	5%	50V	
C1410	1-126-964-11	ELECT	10MF	20%	50V	
C1411	1-126-964-11	ELECT	10MF	20%	50V	
C1412	1-126-964-11	ELECT	10MF	20%	50V	
C1413	1-126-964-11	ELECT	10MF	20%	50V	
C1415	1-126-968-11	ELECT	100MF	20%	50V	
C1416	1-106-375-12	MYLAR	0.022MF	20%	200V	
C1417	1-137-414-11	FILM	0.0047MF	10%	100V	
C1418	1-102-114-00	CERAMIC	470PF	10%	50V	
C1419	1-130-495-00	FILM	0.1MF	5%	50V	
C1420	1-137-371-11	FILM	0.015MF	5%	50V	
C1421	1-102-121-00	CERAMIC	0.0022MF	10%	50V	
C1422	1-137-414-11	FILM	0.0047MF	10%	100V	
C1423	1-136-173-00	FILM	0.47MF	5%	50V	
C1424	1-130-495-00	FILM	0.1MF	5%	50V	
C1425	1-137-370-11	FILM	0.01MF	5%	50V	
C1426	1-130-495-00	FILM	0.1MF	5%	50V	
C1427	1-137-370-11	FILM	0.01MF	5%	50V	
C1428	1-130-495-00	FILM	0.1MF	5%	50V	
C1429	1-137-370-11	FILM	0.01MF	5%	50V	
C1430	1-126-964-11	ELECT	10MF	20%	50V	
C1431	1-136-287-11	FILM	0.0047MF	5%	50V	
C1432	1-126-964-11	ELECT	10MF	20%	50V	
C1433	1-106-355-12	MYLAR	0.0033MF	10%	100V	
C1434	1-106-379-12	MYLAR	0.033MF	10%	100V	
C1435	1-126-964-11	ELECT	10MF	20%	50V	
C1436	1-126-964-11	ELECT	10MF	20%	50V	
C1437	1-126-964-11	ELECT	10MF	20%	50V	
C1438	1-106-355-12	MYLAR	0.0033MF	10%	100V	
C1439	1-106-379-12	MYLAR	0.033MF	10%	100V	
C1440	1-126-964-11	ELECT	10MF	20%	50V	
C1443	1-126-964-11	ELECT	10MF	20%	50V	
C2068	1-104-665-11	ELECT	100MF	20%	25V	
C2234	1-126-960-11	ELECT	1MF	20%	50V	
C2235	1-126-960-11	ELECT	1MF	20%	50V	
C2236	1-106-343-00	MYLAR	0.001MF	10%	200V	

REF.NO.	PART NO.	DESCRIPTION	REMARK			
<u>CONNECTOR</u>						
CN1405	1-564-510-11	PLUG, CONNECTOR 7P				
CN1406*	1-564-506-11	PLUG, CONNECTOR 3P				
CN2001*	1-564-506-11	PLUG, CONNECTOR 3P				
CN2200*	1-564-514-11	PLUG, CONNECTOR 11P				
<u>DIODE</u>						
D2001	8-719-110-17	DIODE RD10ESB2				
D2006	1-810-039-11	LED UNIT				
D2235	8-719-110-17	DIODE RD10ESB2				
D2236	8-719-110-17	DIODE RD10ESB2				
<u>IC</u>						
IC1403	8-759-496-03	IC NJM2178L				
IC1404	8-759-496-02	IC NJM2150D				
IC2003	8-742-014-11	HYB IC SBX1981-51				
<u>JACK</u>						
J2231	1-691-110-11	JACK, PIN	3P			
<u>RESISTOR</u>						
R1403	1-215-437-00	METAL	4.7K	1%	1/4W	
R1404	1-249-419-11	CARBON	1.5K	5%	1/4W	
R1405	1-249-424-11	CARBON	3.9K	5%	1/4W	
R1406	1-249-437-11	CARBON	47K	5%	1/4W	
R1407	1-249-435-11	CARBON	33K	5%	1/4W	
R1408	1-215-469-00	METAL	100K	1%	1/4W	
R1409	1-249-417-11	CARBON	1K	5%	1/4W	
R1410	1-215-461-00	METAL	47K	1%	1/4W	
R1411	1-249-429-11	CARBON	10K	5%	1/4W	
R1412	1-249-429-11	CARBON	10K	5%	1/4W	
R1413	1-249-429-11	CARBON	10K	5%	1/4W	
R1414	1-249-429-11	CARBON	10K	5%	1/4W	
R1415	1-249-429-11	CARBON	10K	5%	1/4W	
R1416	1-249-429-11	CARBON	10K	5%	1/4W	
R1417	1-249-429-11	CARBON	10K	5%	1/4W	
R1419	1-249-441-11	CARBON	100K	5%	1/4W	
R1420	1-249-429-11	CARBON	10K	5%	1/4W	

HV HZ COMPLETE PARTS LISTING

Note:

The components identified with shading and a critical symbol (Δ) are critical for safety. Replace only with part number specified.

Note:

Les composants identifiés par un trame et une marque Δ sont critiques pour la sécurité. Ne les remplacer que par une pièce portant le numéro spécifié.

REF.NO.	PART NO.	DESCRIPTION	REMARK	REF.NO.	PART NO.	DESCRIPTION	REMARK
R1421	1-249-441-11	CARBON	100K 5% 1/4W	<div style="border: 1px solid black; padding: 5px; display: inline-block; font-weight: bold; font-size: 2em;">HZ</div>			
R1422	1-249-429-11	CARBON	10K 5% 1/4W				
R1423	1-249-441-11	CARBON	100K 5% 1/4W				
R1424	1-249-429-11	CARBON	10K 5% 1/4W				
R1425	1-249-429-11	CARBON	10K 5% 1/4W				
R1426	1-249-429-11	CARBON	10K 5% 1/4W				
R1427	1-249-429-11	CARBON	10K 5% 1/4W				
R1428	1-249-429-11	CARBON	10K 5% 1/4W				
R1429	1-249-429-11	CARBON	10K 5% 1/4W				
R1430	1-215-461-00	METAL	47K 1% 1/4W				
R1431	1-249-429-11	CARBON	10K 5% 1/4W				
R1432	1-249-429-11	CARBON	10K 5% 1/4W				
R1433	1-249-429-11	CARBON	10K 5% 1/4W				
R1434	1-215-445-00	METAL	10K 1% 1/4W				
R1435	1-249-431-11	CARBON	15K 5% 1/4W				
R1440	1-249-429-11	CARBON	10K 5% 1/4W				
R1441	1-249-429-11	CARBON	10K 5% 1/4W				
R1442	1-249-429-11	CARBON	10K 5% 1/4W				
R1443	1-249-429-11	CARBON	10K 5% 1/4W				
R2059	1-249-415-11	CARBON	680 5% 1/4W				
R2060	1-249-416-11	CARBON	820 5% 1/4W				
R2061	1-249-421-11	CARBON	2.2K 5% 1/4W				
R2062	1-249-427-11	CARBON	6.8K 5% 1/4W				
R2063	1-249-429-11	CARBON	10K 5% 1/4W				
R2235	1-247-804-11	CARBON	75 5% 1/4W				
R2236	1-247-895-91	CARBON	470K 5% 1/4W				
R2237	1-249-425-11	CARBON	4.7K 5% 1/4W				
R2238	1-247-895-91	CARBON	470K 5% 1/4W				
R2239	1-249-425-11	CARBON	4.7K 5% 1/4W				
<u>SWITCH</u>							
S2001	1-692-431-21	SWITCH, TACTILE					
S2002	1-692-431-21	SWITCH, TACTILE					
S2003	1-692-431-21	SWITCH, TACTILE					
S2004	1-692-431-21	SWITCH, TACTILE					
S2005	1-692-431-21	SWITCH, TACTILE					
S2006	1-692-431-21	SWITCH, TACTILE					
S2007	1-692-431-21	SWITCH, TACTILE					
				<u>CONNECTOR</u>			
CN901	* 1-580-843-11	PIN, CONNECTOR (POWER)					
CN902	* 1-580-843-11	PIN, CONNECTOR (POWER)					
				<u>SWITCH</u>			
S901	Δ 1-571-433-21	SWITCH, PUSH (AC POWER)					

Note:

The components identified with shading and a critical symbol (Δ) are critical for safety. Replace only with part number specified.

Note:

Les composants identifiés par un triangle et une marque Δ sont critiques pour la sécurité. Ne les remplacer que par une pièce portant le numéro spécifié.



REF.NO.	PART NO.	DESCRIPTION	REMARK	REF.NO.	PART NO.	DESCRIPTION	REMARK
K							
	* A-1380-571-A	K BOARD, COMPLETE (KV-27V65/29VL95/29VL65A/29VL65C only)					
	4-382-854-11	SCREW (M3X10), P, SW (+)					
		<u>CAPACITOR</u>					
C1001	1-126-968-11	ELECT	100MF 20% 50V				
C1002	1-104-664-11	ELECT	47MF 20% 25V				
C1003	1-126-964-11	ELECT	10MF 20% 50V				
C1004	1-126-969-11	ELECT	220MF 20% 50V				
C1005	1-126-960-11	ELECT	1MF 20% 50V				
C1006	1-137-368-11	FILM	0.0047MF 5% 50V				
C1007	1-126-960-11	ELECT	1MF 20% 50V				
C1401	1-126-957-11	ELECT	0.22MF 20% 50V				
C1402	1-126-957-11	ELECT	0.22MF 20% 50V				
C1403	1-126-943-11	ELECT	2200MF 20% 25V				
C1404	1-126-943-11	ELECT	2200MF 20% 25V				
C1405	1-126-382-11	ELECT	100MF 20% 16V				
C1406	1-126-382-11	ELECT	100MF 20% 16V				
C1450	1-106-387-00	MYLAR	0.068MF 10% 200V				
C1451	1-106-387-00	MYLAR	0.068MF 10% 200V				
C1452	1-137-368-11	FILM	0.0047MF 5% 50V				
C1453	1-137-368-11	FILM	0.0047MF 5% 50V				
		<u>CONNECTOR</u>					
CN1001*	1-564-596-11	PLUG, CONNECTOR 15P					
CN1002*	1-564-507-11	PLUG, CONNECTOR 4P					
CN1400*	1-564-507-11	PLUG, CONNECTOR 4P					
CN1401*	1-564-506-11	PLUG, CONNECTOR 3P					
CN1402*	1-564-522-11	PLUG, CONNECTOR 7P					
		<u>IC</u>					
IC1400	8-759-498-09	IC TDA1519AQU					
IC1401	8-759-498-09	IC TDA1519AQU					
		<u>COIL</u>					
L1001	1-408-421-00	INDUCTOR	100UH				
L1002	1-410-470-11	INDUCTOR	10UH				
		<u>IC LINK</u>					
PS1400	1-532-984-11	LINK, IC	2A/90V				
PS1401	1-532-984-11	LINK, IC	2A/90V				
		<u>TRANSISTOR</u>					
Q1001	8-729-119-78	TRANSISTOR 2SC2785-HFE					
Q1002	8-729-119-76	TRANSISTOR 2SA1175-HFE					
Q1003	8-729-119-76	TRANSISTOR 2SA1175-HFE					
Q1004	8-729-119-76	TRANSISTOR 2SA1175-HFE					
Q1005	8-729-119-76	TRANSISTOR 2SA1175-HFE					
Q1400	8-729-119-78	TRANSISTOR 2SC2785-HFE					
		<u>RESISTOR</u>					
R1001	1-247-807-31	CARBON	100 5% 1/4W				
R1002	1-247-807-31	CARBON	100 5% 1/4W				
R1003	1-249-434-11	CARBON	27K 5% 1/4W				
R1004	1-249-436-11	CARBON	39K 5% 1/4W				
R1006	1-249-419-11	CARBON	1.5K 5% 1/4W				
R1007	1-247-863-91	CARBON	22K 5% 1/4W				
R1008	1-247-863-91	CARBON	22K 5% 1/4W				
R1009	1-247-863-91	CARBON	22K 5% 1/4W				
R1010	1-247-863-91	CARBON	22K 5% 1/4W				
R1011	1-249-414-11	CARBON	560 5% 1/4W				
R1012	1-249-414-11	CARBON	560 5% 1/4W				
R1013	1-247-807-31	CARBON	100 5% 1/4W				
R1014	1-247-807-31	CARBON	100 5% 1/4W				
R1015	1-249-419-11	CARBON	1.5K 5% 1/4W				
R1401	1-249-429-11	CARBON	10K 5% 1/4W				
R1402	1-249-437-11	CARBON	47K 5% 1/4W				
R1433	1-249-420-11	CARBON	1.8K 5% 1/4W				
R1434	1-247-863-91	CARBON	22K 5% 1/4W				
R1435	1-247-863-91	CARBON	22K 5% 1/4W				
R1436	1-249-420-11	CARBON	1.8K 5% 1/4W				
R1437	1-247-863-91	CARBON	22K 5% 1/4W				
R1450	1-249-426-11	CARBON	5.6K 5% 1/4W				
R1451	1-249-426-11	CARBON	5.6K 5% 1/4W				
R1452	1-249-425-11	CARBON	4.7K 5% 1/4W				
R1453	1-249-425-11	CARBON	4.7K 5% 1/4W				
		<u>TUNER</u>					
TU1002 Δ	8-598-430-00	TUNER, FSS	BTF-FA401				



COMPLETE PARTS LISTING

REF.NO.	PART NO.	DESCRIPTION	REMARK		
P	* A-1190-306-A P BOARD, COMPLETE (KV-27V45/27V65/29VL65C/29VL85/29VL95 only)				
	* A-1195-129-A P BOARD, COMPLETE (KV-29VL65A only)				
<u>CAPACITOR</u>					
C3319	1-163-031-11	CERAMIC CHIP	0.01MF		50V
C3320	1-126-960-11	ELECT	1MF	20%	50V
C3321	1-163-239-11	CERAMIC CHIP	33PF	5%	50V
C3322	1-163-239-11	CERAMIC CHIP	33PF	5%	50V
C3323	1-163-031-11	CERAMIC CHIP	0.01MF		50V
C3324	1-126-967-11	ELECT	47MF	20%	16V
C3326	1-163-229-11	CERAMIC CHIP	12PF	5%	50V
			(KV-29VL65A only)		
C3327	1-163-229-11	CERAMIC CHIP	12PF	5%	50V
			(KV-29VL65A only)		
C3328	1-126-967-11	ELECT	47MF	20%	16V
C3329	1-126-967-11	ELECT	47MF	20%	16V
C3330	1-163-031-11	CERAMIC CHIP	0.01MF		50V
C3331	1-126-967-11	ELECT	47MF	20%	16V
C3332	1-104-664-11	ELECT	47MF	20%	25V
C3334	1-163-031-11	CERAMIC CHIP	0.01MF		50V
C3335	1-163-038-91	CERAMIC CHIP	0.1MF		25V
C3336	1-163-038-91	CERAMIC CHIP	0.1MF		25V
C3337	1-164-005-11	CERAMIC CHIP	0.47MF		25V
C3340	1-163-031-11	CERAMIC CHIP	0.01MF		50V
C3346	1-163-251-11	CERAMIC CHIP	100PF	5%	50V
C3347	1-126-960-11	ELECT	1MF	20%	50V
C3348	1-126-967-11	ELECT	47MF	20%	16V
C3350	1-163-259-91	CERAMIC CHIP	220PF	5%	50V
C3352	1-163-031-11	CERAMIC CHIP	0.01MF		50V
C3353	1-164-346-11	CERAMIC CHIP	1MF		16V
C3354	1-163-031-11	CERAMIC CHIP	0.01MF		50V
C3355	1-126-967-11	ELECT	47MF	20%	16V
C3359	1-163-038-91	CERAMIC CHIP	0.1MF		25V
C3360	1-163-038-91	CERAMIC CHIP	0.1MF		25V
C3361	1-163-038-91	CERAMIC CHIP	0.1MF		25V
C3362	1-126-967-11	ELECT	47MF	20%	16V
C3363	1-163-031-11	CERAMIC CHIP	0.01MF		50V
C3364	1-163-231-11	CERAMIC CHIP	15PF	5%	50V
C3365	1-163-133-00	CERAMIC CHIP	470PF	5%	50V
C3366	1-164-005-11	CERAMIC CHIP	0.47MF		25V
C3367	1-126-963-11	ELECT	4.7MF	20%	50V

REF.NO.	PART NO.	DESCRIPTION	REMARK		
C3368	1-164-005-11	CERAMIC CHIP	0.47MF		25V
C3369	1-163-251-11	CERAMIC CHIP	100PF	5%	50V
C3370	1-164-346-11	CERAMIC CHIP	1MF		16V
C3371	1-163-017-00	CERAMIC CHIP	0.0047MF	10%	50V
C3372	1-164-005-11	CERAMIC CHIP	0.47MF		25V
C3393	1-164-005-11	CERAMIC CHIP	0.47MF		25V
			(KV-29VL65A only)		
C3394	1-164-005-11	CERAMIC CHIP	0.47MF		25V
			(KV-29VL65A only)		
C3395	1-163-038-91	CERAMIC CHIP	0.1MF		25V
			(KV-29VL65A only)		
C3396	1-163-038-91	CERAMIC CHIP	0.1MF		25V
			(KV-29VL65A only)		
<u>CONNECTOR</u>					
CN3301*	1-691-632-21	CONNECTOR, BOARD TO BOARD 15P			
<u>IC</u>					
IC3000	8-759-378-17	IC TDA4662T-V2 (KV-29VL65A only)			
IC3302	8-759-231-53	IC TA7805S			
IC3303	8-759-438-61	IC SDA9288X-A141			
IC3304	8-752-086-80	IC CXA2019AQ-T4			
<u>COIL</u>					
L3302	1-410-473-11	INDUCTOR	18UH		
<u>TRANSISTOR</u>					
Q3301	8-729-422-27	TRANSISTOR 2SD601A-Q			
Q3307	8-729-422-27	TRANSISTOR 2SD601A-Q			
Q3309	8-729-422-27	TRANSISTOR 2SD601A-Q			
Q3310	8-729-422-27	TRANSISTOR 2SD601A-Q			
Q3312	8-729-216-22	TRANSISTOR 2SA1162-G			
Q3314	8-729-216-22	TRANSISTOR 2SA1162-G			
<u>RESISTOR</u>					
R3301	1-216-295-91	SHORT			
R3302	1-216-295-91	SHORT			
R3312	1-216-037-00	RES, CHIP	330	5%	1/10W
R3313	1-216-295-91	SHORT			
R3314	1-216-049-91	RES, CHIP	1K	5%	1/10W
R3322	1-216-295-91	SHORT			
R3324	1-216-295-91	SHORT			
R3329	1-216-069-00	RES, CHIP	6.8K	5%	1/10W
R3330	1-216-035-00	RES, CHIP	270	5%	1/10W
R3331	1-216-295-91	SHORT			

ACCESSORIES AND PACKING MATERIALS

<u>REF.NO.</u>	<u>PART NO.</u>	<u>DESCRIPTION</u>	<u>REMARK</u>	<u>REF.NO.</u>	<u>PART NO.</u>	<u>DESCRIPTION</u>	<u>REMARK</u>
<u>KV-27V40/29VL40</u>				<u>KV-27V45/29VL85</u>			
<u>ACCESSORIES AND PACKING MATERIALS</u>				<u>ACCESSORIES AND PACKING MATERIALS</u>			
3-861-907-21		MANUAL INSTRUCTION (KV-27V40)		3-861-907-21		MANUAL INSTRUCTION (KV-27V45)	
3-861-918-41		MANUAL INSTRUCTION (KV-29VL40)		3-861-918-41		MANUAL INSTRUCTION (KV-29VL85)	
4-041-255-01		BAG PROTECTION		4-041-255-01		BAG PROTECTION	
4-054-059-01		CUSHION (UPPER)		4-054-059-01		CUSHION (UPPER)	
4-054-062-01		CUSHION (LOWER)		4-054-062-01		CUSHION (LOWER)	
4-065-733-01		CARTON INDIVIDUAL (KV-27V40)		4-065-733-01		CARTON INDIVIDUAL (KV-27V45)	
4-065-734-01		CARTON INDIVIDUAL (KV-29VL40)		4-065-734-01		CARTON INDIVIDUAL (KV-29VL85)	
<u>REMOTE COMMANDER</u>				<u>REMOTE COMMANDER</u>			
1-475-801-11		REMOTE COMMANDER (RM-Y165)		1-475-802-11		REMOTE COMMANDER (RM-Y167)	
4-978-977-01		BATTERY COVER (FOR REMOTE)		4-978-977-01		BATTERY COVER (FOR REMOTE)	
<u>KV-27V65/29VL95</u>				<u>KV-29VL65C</u>			
<u>ACCESSORIES AND PACKING MATERIALS</u>				<u>ACCESSORIES AND PACKING MATERIALS</u>			
3-861-907-21		MANUAL INSTRUCTION (KV-27V65)		3-861-918-41		MANUAL INSTRUCTION	
3-861-918-41		MANUAL INSTRUCTION (KV-29VL95)		4-041-255-01		BAG PROTECTION	
4-041-255-01		BAG PROTECTION		4-054-059-01		CUSHION (UPPER)	
4-054-059-01		CUSHION (UPPER)		4-054-062-01		CUSHION (LOWER)	
4-054-062-01		CUSHION (LOWER)		4-065-734-01		CARTON INDIVIDUAL	
4-065-733-01		CARTON INDIVIDUAL (KV-27V65)		<u>REMOTE COMMANDER</u>			
4-065-734-01		CARTON INDIVIDUAL (KV-29VL95)		1-475-802-11		REMOTE COMMANDER (RM-Y167)	
<u>REMOTE COMMANDER</u>				4-978-977-01		BATTERY COVER (FOR REMOTE)	
1-475-802-11		REMOTE COMMANDER (RM-Y167)					
4-978-977-01		BATTERY COVER (FOR REMOTE)					
<u>KV-29VL65A</u>							
<u>ACCESSORIES AND PACKING MATERIALS</u>							
3-861-824-41		MANUAL INSTRUCTION					
4-041-255-01		BAG PROTECTION					
4-054-059-01		CUSHION (UPPER)					
4-054-062-01		CUSHION (LOWER)					
4-065-734-01		CARTON INDIVIDUAL					
<u>REMOTE COMMANDER</u>							
1-475-802-11		REMOTE COMMANDER (RM-Y167)					
4-978-977-01		BATTERY COVER (FOR REMOTE)					

9-965-842-01

Sony Corporation
Sony Technology Center
Product Quality Division
Service Promotion Department

English
98DJ74425-1
Printed in U.S.A.
© 1998.4