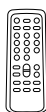
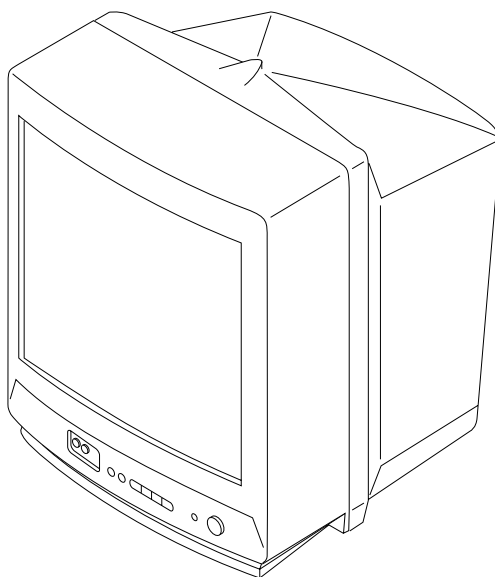


SERVICE MANUAL

BG-2S CHASSIS

MODEL COMMANDER DEST. CHASSIS NO. MODEL COMMANDER DEST. CHASSIS NO.

KV-G14M2 *RM-869* *Russia* *SCC-U11A-A*



TRINITRON[®] COLOR TV
SONY[®]

SPECIFICATIONS

		Note
Power requirements	110-240 V AC, 50/60 Hz	
Power consumption (W)	Indicated on the rear of the TV	
Television system	B/G, I, D/K, M	
Color system	PAL, PAL 60, SECAM, NTSC4.43, NTSC3.58	
Channel coverage		
B/G	VHF: E2 to E12 / UHF: E21 to E69 / CATV: S01 to S03, S1 to S41	
I	UHF: B21 to B68 / CATV: S01 to S03, S1 to S41	
D/K	VHF: C1 to C12, R1 to R12/UHF: C13 to C57, R21 to R60 / CATV: S01 to S03, S1 to S41, Z1 to Z39	
M	VHF: A2 to A13 / UHF: A14 to A79 / CATV: A-8 to A-2, A to W+ 4, W+ 6 to W+ 84	
Audio output (speaker)	3W	
Inputs	<ul style="list-style-type: none"> ⏏ (antenna): 75 ohms external terminal ⏏ (video input) jacks: phono jacks ⊕ (video): 1 Vp-p, 75 ohms ♪ (audio): 500 mVrms, high impedance 	
Outputs	<ul style="list-style-type: none"> ⏏ (earphone) jack: minijack ⏏ (monitor output) jacks: phono jacks ⊕ (video): 1 Vp-p, 75 ohms ♪ (audio): 500 mVrms 	
Picture tube	14 in.	
Tube size (cm)	37	Measured diagonally
Screen size (cm)	34	Measured diagonally
Dimensions (w/h/d, mm)	373 × 346 × 412	
Mass (kg)	11	

Design and specifications are subject to change without notice.

CAUTION

SHORT CIRCUIT THE ANODE OF THE PICTURE TUBE AND THE ANODE CAP TO THE METAL CHASSIS, CRT SHIELD, OR CARBON PAINTED ON THE CRT, AFTER REMOVING THE ANODE.

SAFETY-RELATED COMPONENT WARNING!!

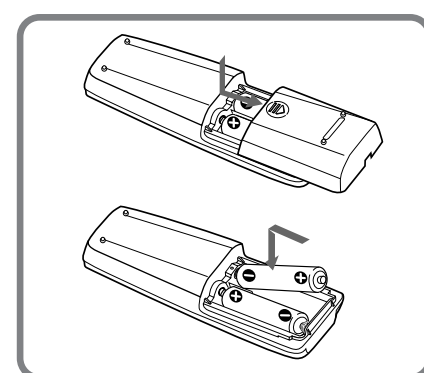
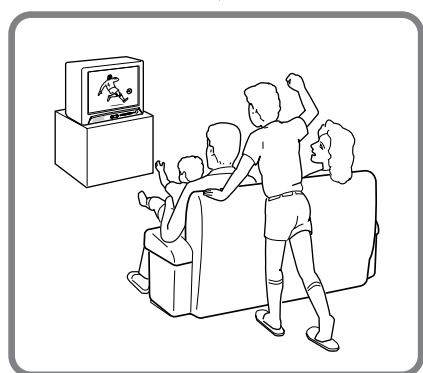
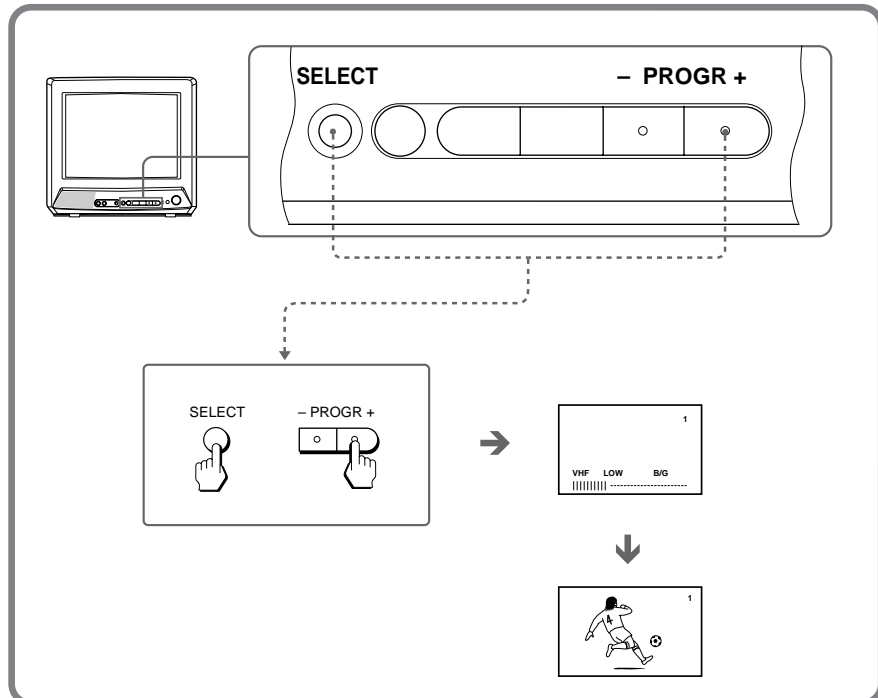
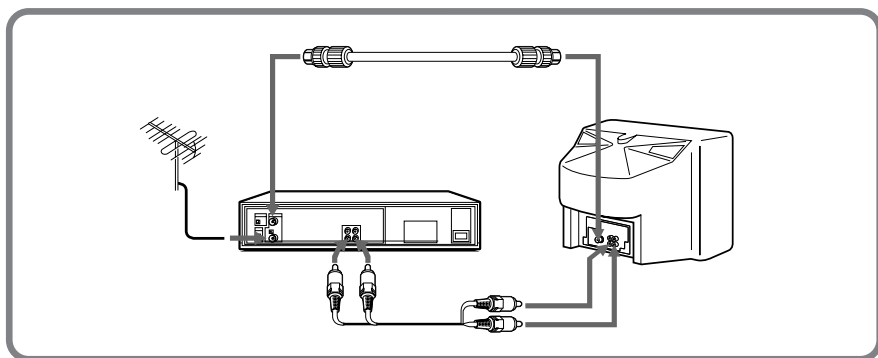
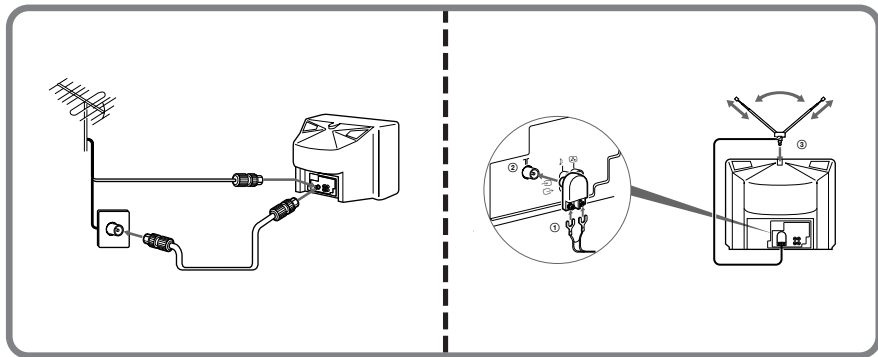
COMPONENTS IDENTIFIED BY SHADING AND MARK \triangle ON THE SCHEMATIC DIAGRAMS, EXPLODED VIEWS AND IN THE PARTS LIST ARE CRITICAL TO SAFE OPERATION. REPLACE THESE COMPONENTS WITH SONY PARTS WHOSE PART NUMBERS APPEAR AS SHOWN IN THIS MANUAL OR IN SUPPLEMENTS PUBLISHED BY SONY.

TABLE OF CONTENTS

<u>Section</u>	<u>Title</u>	<u>Page</u>	<u>Section</u>	<u>Title</u>	<u>Page</u>
1. GENERAL		4	6. DIAGRAMS		
2. DISASSEMBLY			6-1.	Block Diagram	23
2-1.	Rear Cover Removal	9	6-2.	Circuit Boards Location	26
2-2.	A Board Removal	9	6-3.	Schematic Diagrams and Printed Wiring Boards.	26
2-3.	F1 Board Removal	9	(1)	Schematic Diagram of A Board	31
2-4.	Service Position	9	(2)	Schematic Diagrams of C and F1 Boards	35
2-5.	Replacement of Parts	10	6-4.	Semiconductors	38
2-6.	Terminal Board Bracket Removal	10	7. EXPLODED VIEW		
2-7.	Demagnetization Coil Removal	10	7-1.	Chassis	40
2-8.	Picture Tube Removal	11	8. ELECTRICAL PARTS LIST		42
3. SET-UP ADJUSTMENTS					
3-1.	Beam Landing	12			
3-2.	Convergence	13			
3-3.	Focus Adjustment	14			
3-4.	G2 (Screen) and White Balance Adjustments	15			
4. SELF DIAGNOSIS FUNCTION		16			
5. CIRCUIT ADJUSTMENTS					
5-1.	Adjustments with Commander	17			
5-2.	Adjustment Method	18			
5-3.	A Board Adjustment after IC003 (Memory) Replacement	22			
5-4.	Picture Distortion Adjustment	22			


SECTION 1 GENERAL

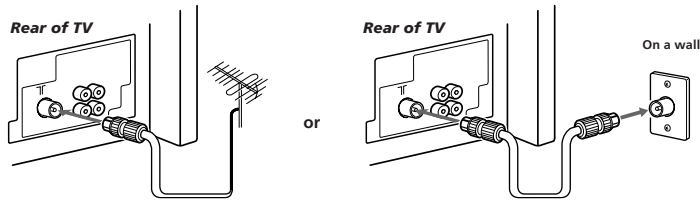
The operating instructions mentioned here are partial abstracts from the Operating Instructions Manual. The page numbers of the Operating Instruction Manual remain as in this manual.



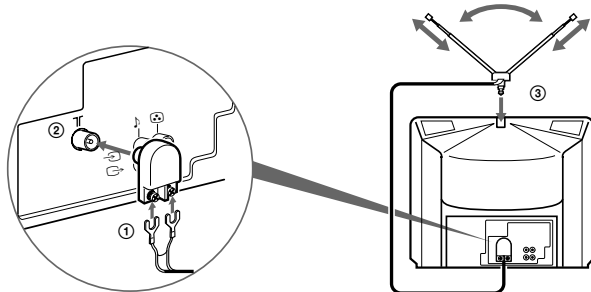
Connections

Connecting a VHF antenna or a combination VHF/UHF antenna — 75-ohm coaxial cable (round)

Attach an optional IEC antenna connector to the 75-ohm coaxial cable. Plug the connector into the  (antenna) socket at the rear of the TV.



Connecting an indoor antenna

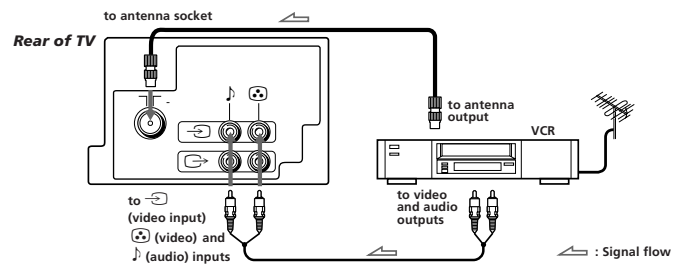
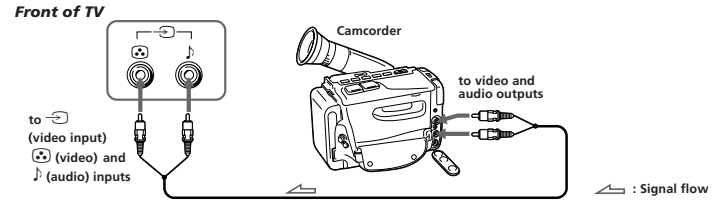


Note
 • You are advised to use an outdoor antenna for better reception.

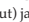
Connecting optional equipment

You can connect optional audio/video equipment to your TV such as a VCR, multi disc player, camcorder, or video game.

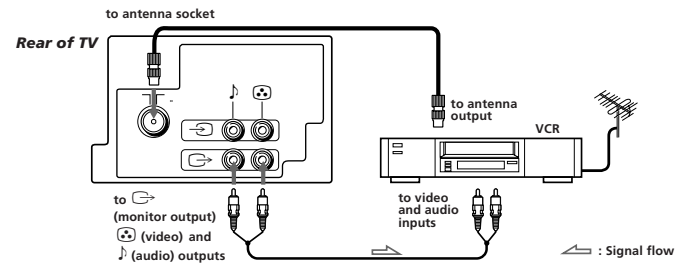
Connecting video equipment using the (video input) jack



When connecting video equipment to the (video input) jack

Do not connect video equipment to the  (video input) jacks at the front and the rear of your TV simultaneously; otherwise the picture will not be displayed properly on the screen.

Connecting audio/video equipment using the (monitor output) jack



When recording through the (monitor output) jack

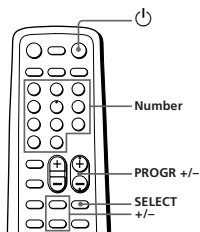
Do not change the channel or video input while recording with a VCR; otherwise the channel or video input you are recording also will be changed.

Presetting channels

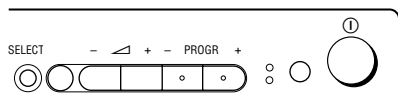
You can preset up to 100 TV channels in numerical sequence from program position 1 using the buttons on the remote commander or the TV.

You can preset TV channels quickly, automatically or manually.

Remote commander



Front of TV



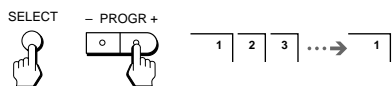
Quick channel presetting

- 1 Press ① to turn on the TV.



When the TV is turned on in standby mode, press ① on the remote commander.

- 2 Press SELECT and PROGR + on the TV simultaneously for one to two seconds.



If the picture color is poor and/or the sound is noisy

Select the appropriate TV system as follows:

- 1 Press SELECT on the remote commander or the TV until "TV SYSTEM" appears.
- 2 Press +/- on the remote commander or \triangle +/- on the TV until the picture and sound becomes normal.

Notes

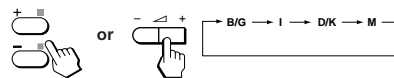
- If you do not know your local TV system, consult your nearest authorized service center or dealer.
- The setting of the "TV SYSTEM" is memorized for each program position.

Presetting channels automatically

- 1 Press SELECT on the remote commander or the TV until "TV SYSTEM" appears on the screen.



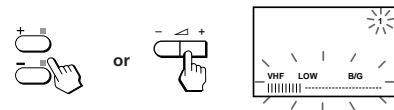
- 2 Press +/- on the remote commander or \triangle +/- on the TV to select the TV system.



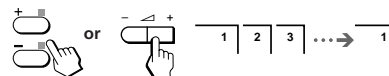
- 3 Press SELECT on the remote commander or the TV until "AUTO PROGRAM" appears on the screen.



- 4 Press +/- on the remote commander or \triangle +/- on the TV.

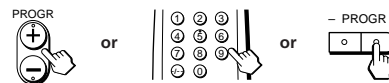


- 5 Press +/- on the remote commander or \triangle +/- on the TV again.



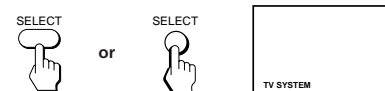
To start presetting channels automatically from the specified program position

Press PROGR +/- or number buttons on the remote commander or PROGR +/- on the TV until the required program position appears on the screen after step 4 of "Presetting channels automatically".

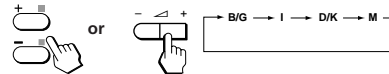


Presetting channels manually

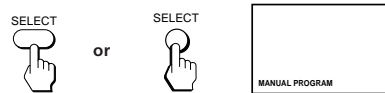
- 1 Press SELECT on the remote commander or the TV until "TV SYSTEM" appears on the screen.



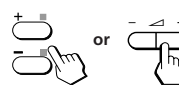
- 2 Press +/- on the remote commander or \triangle +/- on the TV to select the TV system.



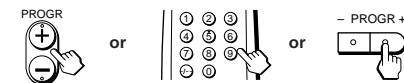
- 3 Press SELECT on the remote commander or the TV until "MANUAL PROGRAM" appears on the screen.



- 4 Press +/- on the remote commander or \triangle +/- on the TV.



- 5 Press PROGR +/- or number buttons on the remote commander or PROGR +/- on the TV until the required program position appears on the screen.



- 6 Press +/- on the remote commander or \triangle +/- on the TV until the required channel picture appears on the screen.



- 7 Press SELECT on the remote commander or the TV.



Disabling program positions

- 1 Press PROGR +/- or number buttons on the remote commander or PROGR +/- on the TV until the unused or unwanted program position appears on the screen.

- 2 Press SELECT on the remote commander or the TV until "MANUAL PROGRAM" appears on the screen.

- 3 Press +/- on the remote commander or \triangle +/- on the TV.

- 4 Press PIC MODE on the remote commander.

- 5 Press SELECT on the remote commander or the TV.

To preset the disabled program position again
Preset the channel quickly, automatically or manually.

Watching the TV

1 Press to turn on the TV.

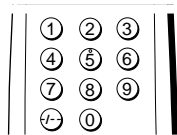


When the TV is turned on in standby mode, press on the remote commander.

2 Select the TV program you want to watch.

To select a program position directly

Press the number button.



To select a two-digit program position, press “-/-” before the number buttons.

For example: to select program position 25, press “-/-,” and then “2” and “5.”



To scan through program positions

Press PROG +/- until the program position you want appears.



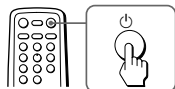
3 Press to adjust the volume.



Turning off the TV

To turn off the TV temporarily

Press on the remote commander. The on the TV lights up.



To turn off the TV completely

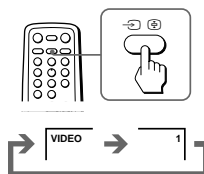
Press on the TV.

If the power on the TV is turned off in standby mode, the indicator on the TV may remain alight for a while.



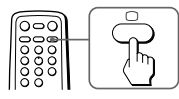
Watching the video input

Press .



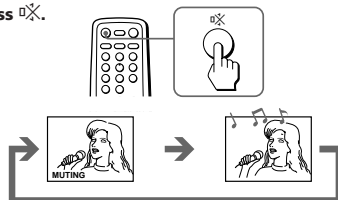
To watch TV

Press .



Muting the sound

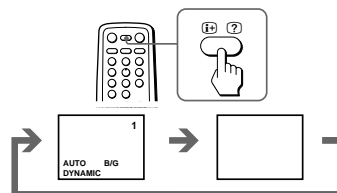
Press .



Displaying on-screen information

Press .

The program position, local system, and TV settings are displayed on the screen.

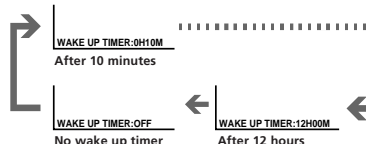
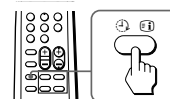


Setting the Wake Up Timer

You can set the TV automatically turned on as you program.

1 Press repeatedly to set the timer.

The on-screen display appears and the indicator on the TV lights up.



2 If you want a particular TV program or video input to be displayed using the Wake Up Timer, select the TV program or video input.

3 Press on the remote commander or set the Sleep Timer to turn off the TV in standby mode.

To cancel the Wake Up Timer, press repeatedly until “WAKE UP TIMER: OFF” appears, or turn off the main power of the TV.

Notes

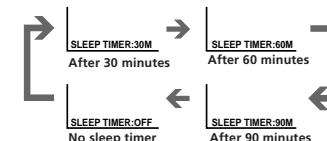
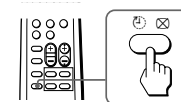
- The Wake Up Timer starts immediately after the on-screen display disappears.
- The last TV program position or video input just before the TV turns into standby mode will appear when the TV is turned on using the Wake Up Timer.

- If no buttons or controls are pressed for more than two hours after the TV is turned on using the Wake Up Timer, the TV automatically turns into standby mode. If you want to continue watching the TV, press any button or control on the TV or remote commander.

Setting the Sleep Timer

You can set the TV automatically turned off as you program.

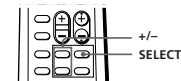
Press .



To cancel the Sleep Timer, press repeatedly until “SLEEP TIMER: OFF” appears, or turn off the TV.

Changing the on-screen display language

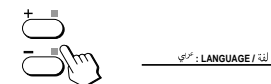
You can use buttons on the remote commander or the TV to change the on-screen display language.



1 Press SELECT until the screen appears as follows:



2 Press +/- to select “عربي”.



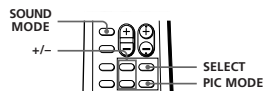
Note

- You can also use SELECT and on the TV to select the on-screen display language.

Adjusting the picture

Note on the SOUND MODE button

- The sound mode feature is unavailable for your TV. Thus, the SOUND MODE button on the remote commander is not used for your TV.

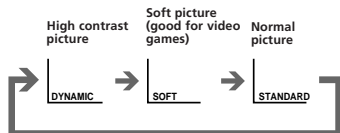


Selecting the picture mode

Press PIC MODE until the mode you want appears.



Each time you press PIC MODE, the screen changes as follows:



Note

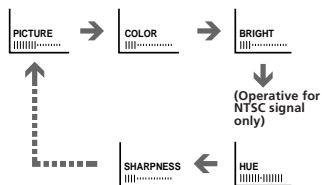
- If you change the picture mode after the following adjustments, the adjustment changes in accordance with the picture mode.

Adjusting the picture setting

- Press SELECT until the item you want to adjust appears.



Each time you press SELECT, the screen changes as follows:



- Press +/- to adjust the item.

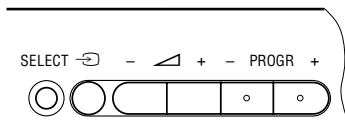


- To adjust other items, repeat steps 1 and 2.

Note

- You can also use SELECT and +/- on the TV to adjust the picture setting.

Front of TV



If the picture color is abnormal when receiving programs through the ㄗ (antenna) terminal

Change the "TV SYSTEM" or "COLOR SYSTEM" setting or adjust the "COLOR" level in the on-screen display until the color becomes normal.

If the picture is abnormal when receiving programs through the ㄚ (video input) jack

Change the "COLOR SYSTEM" setting or adjust the "COLOR" level in the on-screen display until the color becomes normal.

Note

- Normally set "COLOR SYSTEM" to "AUTO".

If the sound is distorted or noisy when receiving programs through the ㄗ (antenna) terminal

Change the "TV SYSTEM" setting in the on-screen display until the sound becomes clear.

Additional Information

Troubleshooting

If you have any problems, read this manual again and check the countermeasure for each of the symptoms listed below.

If the problem persists after trying the methods below, contact your nearest authorized service center or dealer.

Snowy picture Noisy sound



- Check the antenna.
- Check the antenna connection on the TV and on the wall.
- Check the "TV SYSTEM" setting.

Dotted lines or stripes



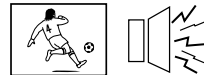
- This may be caused by local interference (e.g. cars, neon signs and hair dryers). Adjust the antenna for minimum interference.

Double images or "ghosts"



- This may be caused by reflections from nearby mountains or buildings. A highly directional antenna may improve the picture.

Good picture Noisy sound



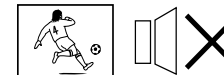
- Check the "TV SYSTEM" setting.

No picture No sound



- Press ① or ②.
- Check the antenna connection.
- Check the VCR connections.
- Check the power cord connection.
- Check the standby mode.

Good picture No sound



- Press ③ +.
- Press ④.

No color



- Adjust the "COLOR" level in the on-screen display.
- Check the "COLOR SYSTEM" setting.

TV cabinet creaks

- Even if the picture or the sound is normal, changes in the room temperature sometimes make the TV cabinet expand or contract, making a noise. This does not indicate a malfunction.

Note on the remote commander

- The supplied remote commander is used on several models of the TV. If you do not find instructions for some controls that are on the remote commander, that means your TV does not employ the features of those controls, e.g. ⑤ and SOUND MODE.

Notes

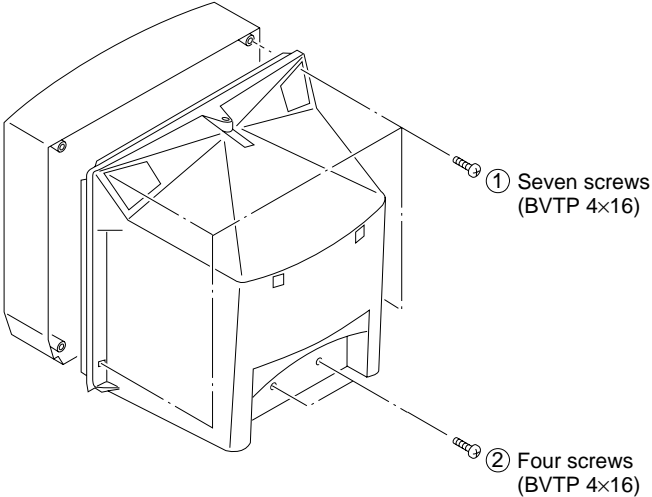
- When you turn on the TV, you may hear the "boon" sound that is caused by the demagnetization of the TV. This does not indicate a malfunction.
- The picture color may become abnormal if you change the direction of your TV. To obtain the normal picture color, press ① on the TV to turn off the TV for five minutes and then turn it on again.
- Design and specifications are subject to change without notice.
- All contents in the instruction manual are subject to change without notice.

WARNING

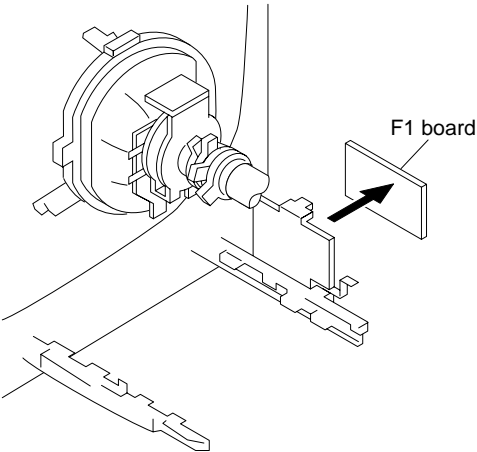
Do not install the appliance in a confined space, such as a bookcase or built-in cabinet.

SECTION 2 DISASSEMBLY

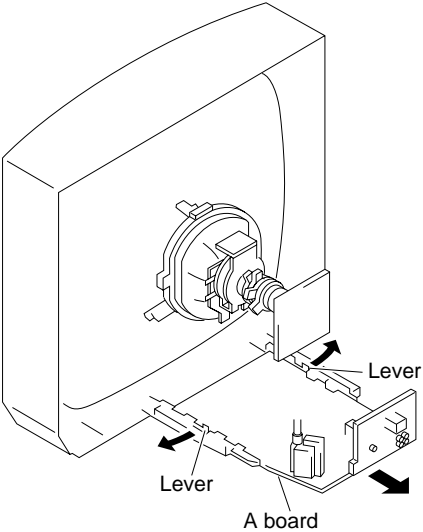
2-1. REAR COVER REMOVAL



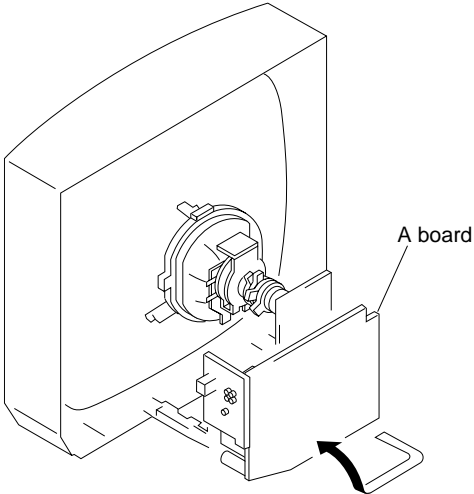
2-3. F1 BOARD REMOVAL



2-2. A BOARD REMOVAL



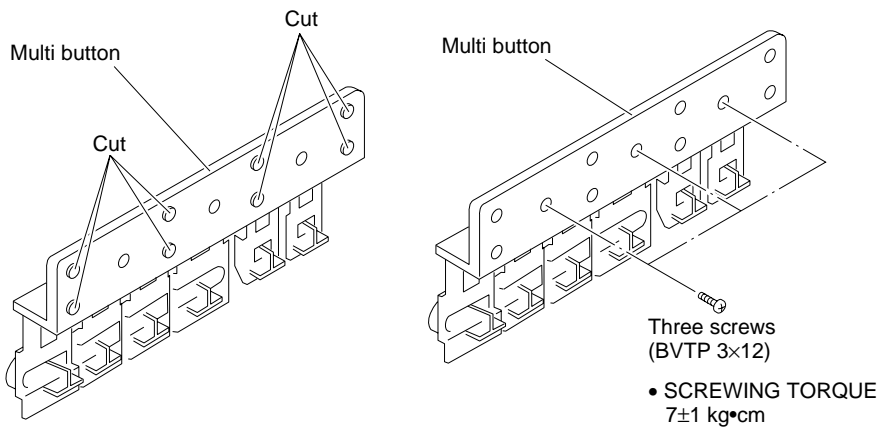
2-4. SERVICE POSITION



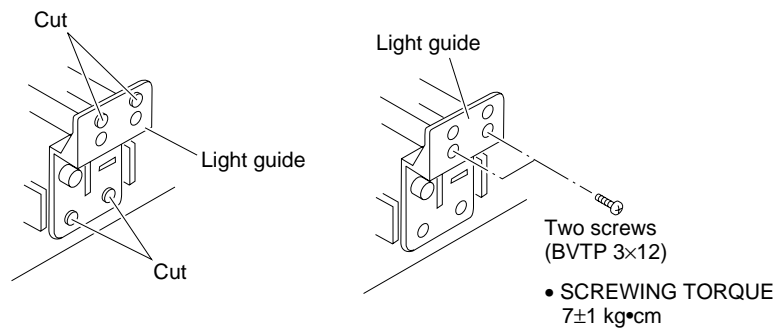
2-5. REPLACEMENT OF PARTS

For replacement of the Multi Button and Light Guide, cut the welded portions from them, exchange with the new parts, and fix them with screws (+BVTP) respectively.

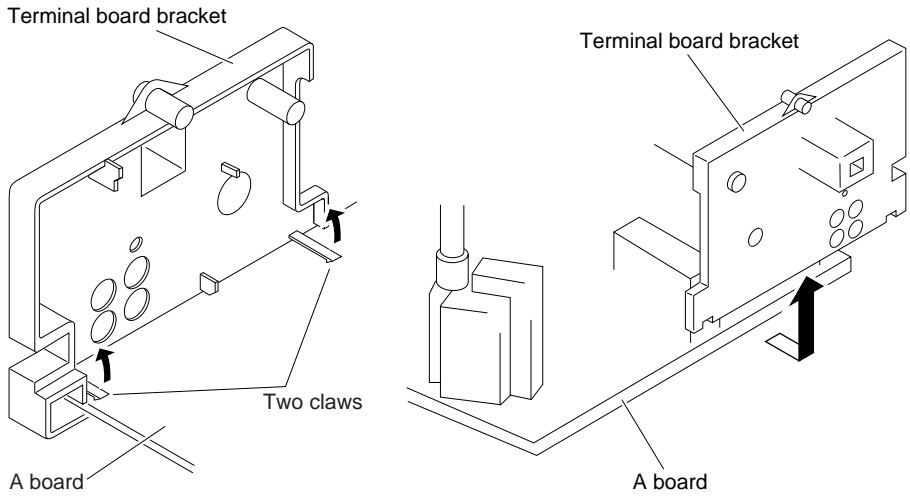
2-5-1. REPLACEMENT OF MULTI BUTTON



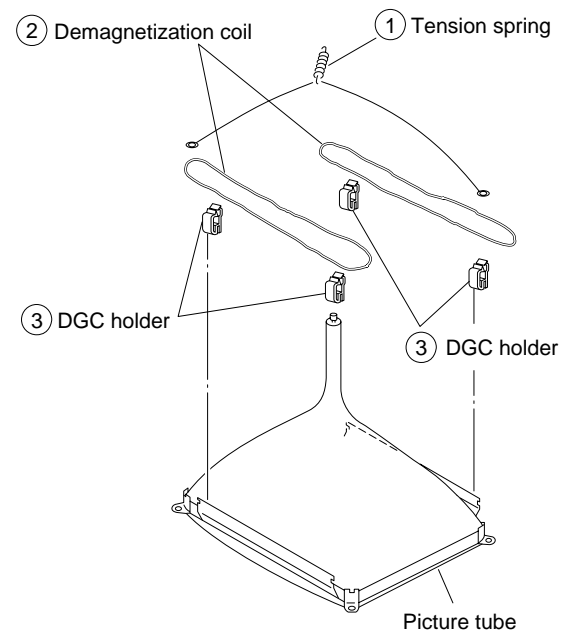
2-5-2. REPLACEMENT OF LIGHT GUIDE



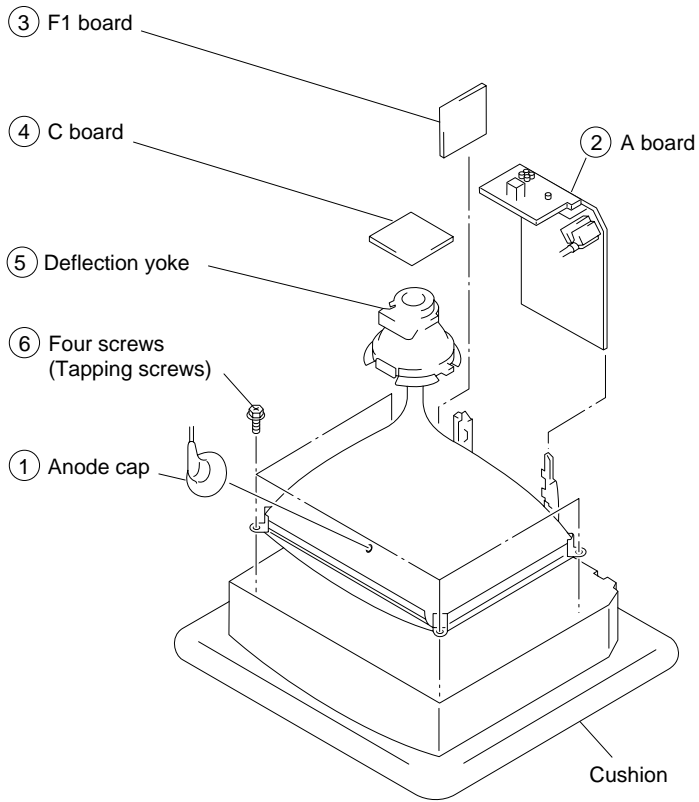
2-6. TERMINAL BOARD BRACKET REMOVAL



2-7. DEMAGNETIZATION COIL REMOVAL



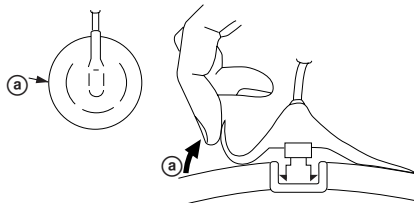
2-8. PICTURE TUBE REMOVAL



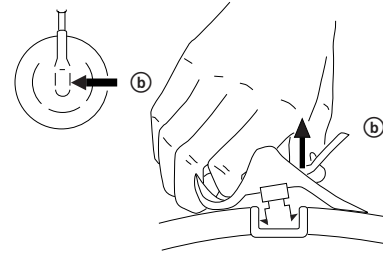
• REMOVAL OF ANODE-CAP

NOTE : After removing the anode, short circuit the anode of the picture tube and the anode cap to the metal chassis, CRT shield or carbon paint on the CRT.

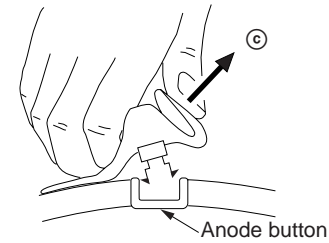
• REMOVING PROCEDURES



- ① Turn up one side of the rubber cap in the direction indicated by the arrow ①.



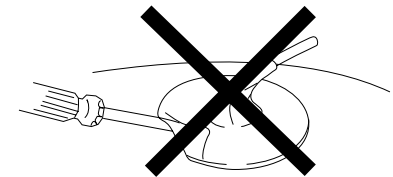
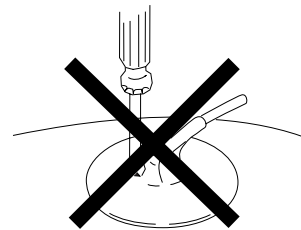
- ② Using a thumb press down, then pull up the rubber cap firmly in the direction indicated by the arrow ②.



- ③ When one side of the rubber cap is separated from the anode button, the anode-cap can be removed by turning up the rubber cap and pulling it up in the direction of the arrow ③.

• HOW TO HANDLE AN ANODE-CAP

- ① Do not damage the surface of anode-cap with sharp shaped objects.
- ② Do not press the rubber too hard so as not to damage the inside of anode-cap. A metal fitting called the shatter-hook terminal is built into the rubber.
- ③ Do not turn the foot of rubber over too hard. The shatter-hook terminal will stick out or damage the rubber.



SECTION 3 SET-UP ADJUSTMENTS

- The following adjustments should be made when a complete realignment is required or a new picture tube is installed.
- These adjustments should be performed with rated power supply voltage unless otherwise noted.

Controls and switch should be set as follows unless otherwise noted:

PICTURE control normal
BRIGHTNESS control normal

Perform the adjustments in the following order:

1. Beam Landing
2. Convergence
3. Focus
4. White Balance

Note : Test Equipment Required:

1. Color-bar/Pattern Generator
2. Degausser
3. Oscilloscope

Preparation :

- In order to reduce the influence of geomagnetism on the set's picture tube, face it east or west.
- Switch on the power and degauss with the degausser.

3-1. BEAM LANDING

1. Input a white signal with the pattern generator.

Contrast	} normal
Brightness	
2. Set the pattern generator raster signal to green.
3. Move the deflection yoke to the rear and adjust with the purity control so that the green is at the center and the blue and the red take up equally sized areas on each side.
(See Figures 3-1 through 3-3.)
4. Move the deflection yoke forward and adjust so that entire screen is green. (See Figure 3-1.)
5. Switch the raster signal to blue, then to red and verify the condition.
6. When the position of the deflection yoke has been decided, fasten the deflection yoke with the screws.
7. If the beam does not land correctly in all the corners, use a magnet to adjust it. (See Figure 3-4.)

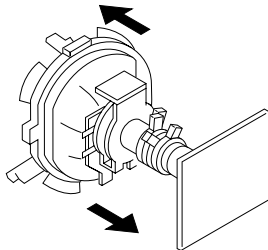


Fig. 3-1

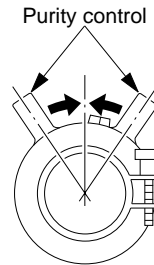


Fig. 3-2

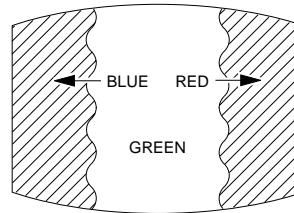


Fig. 3-3

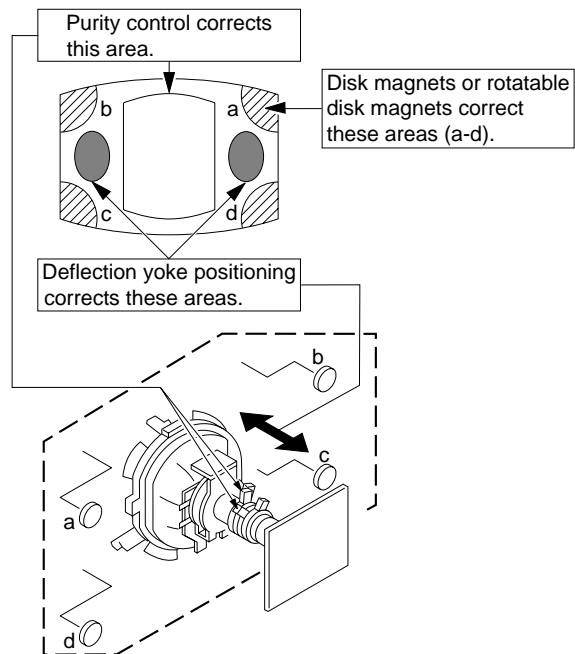


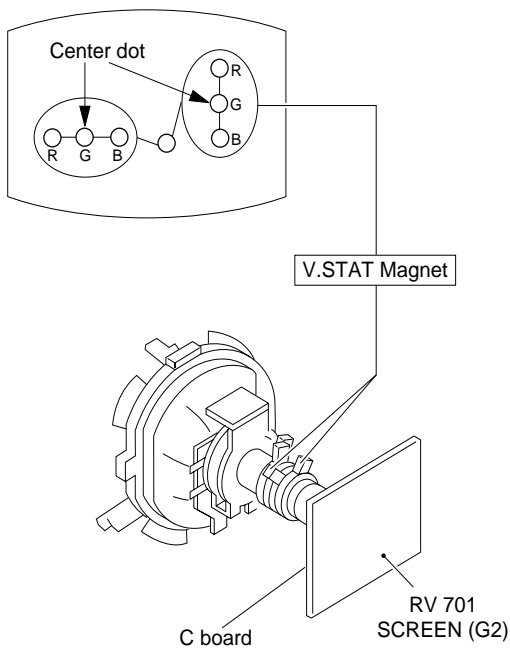
Fig. 3-4

3-2. CONVERGENCE

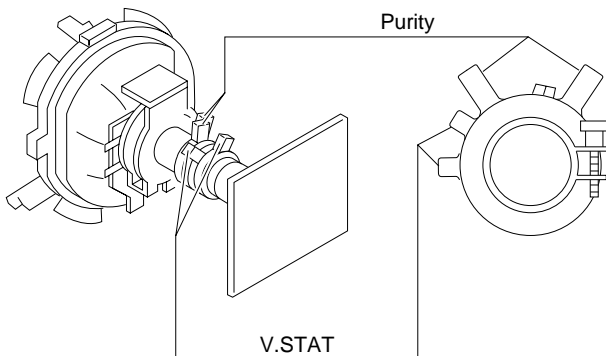
Preparation :

- Before starting this adjustment, adjust the focus, horizontal size, and vertical size.
- Minimize the brightness setting.
- Provide dot pattern.

(1) Horizontal and Vertical Static Convergence

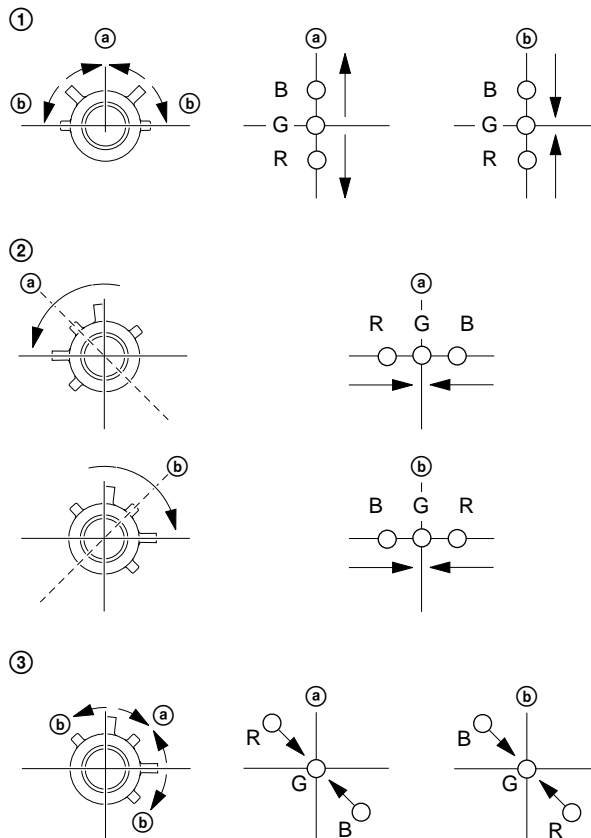


1. (Moving vertically), adjust the V.STAT magnet so that the red, green and blue dots are on top of each other at the center of the screen.
2. (Moving horizontally), adjust the H.STAT VR so that the red, green and blue dots are on top of each other at the center of the screen.



- Operation of V.STAT magnet.

If the V.STAT magnet is moved in the direction of the (a) and (b) arrows, the red, green and blue dots move as shown below.



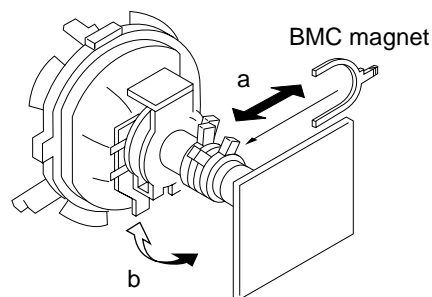
- Operation of BMC (Hexapole) magnet.

If the blue or red dot does not converge with the other two dots, perform following steps.

Move BMC magnet (a) to correct insufficient H.static convergence.

Rotate BMC magnet (b) to correct insufficient V.static convergence.

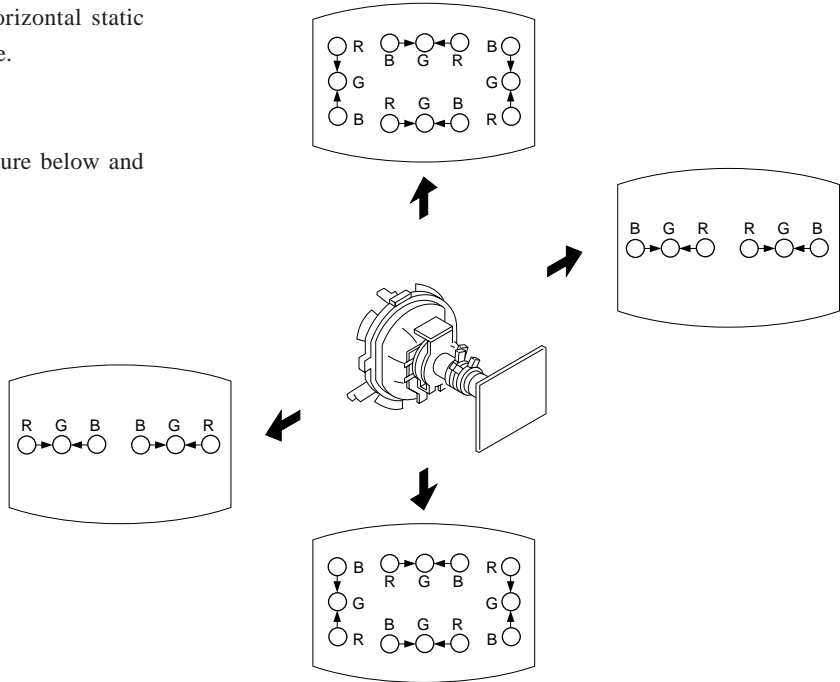
In either case, repeat Beam Landing Adjustment.



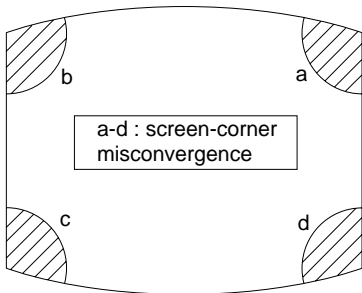
(2) Dynamic Convergence Adjustment

Preparation :

- Before starting this adjustment, adjust the horizontal static convergence and the vertical static convergence.
1. Slightly loosen the deflection yoke screws.
 2. Remove the deflection yoke spacer.
 3. Move the deflection yoke as shown in the figure below and optimize the convergence.
 4. Tighten the deflection yoke screws.
 5. Install the deflection yoke spacer.

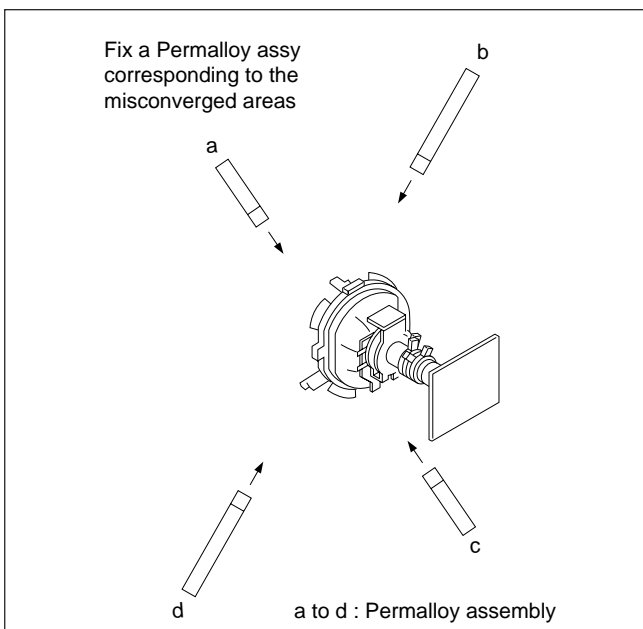


(3) Screen-corner Convergence



3-3. FOCUS ADJUSTMENT

Adjust FOCUS control on the C board (RV703) for the best focus.



3-4. a. AN ITEM OF ADJUSTMENT

Item number	Adjustment Item	Initial DATA	Note
09	RDR	25	WHITE POINT R
0A	GDR	20	WHITE POINT G
0B	BDR	20	WHITE POINT B

b. METHOD OF CANCELLATION FROM SERVICE MODE

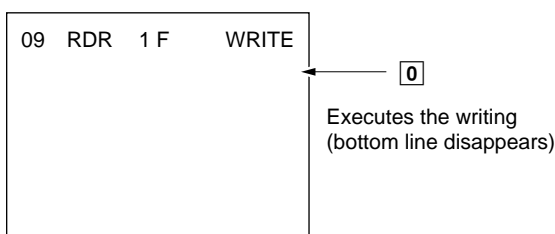
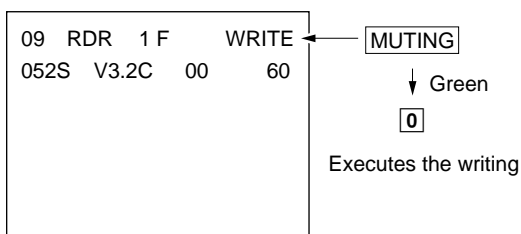
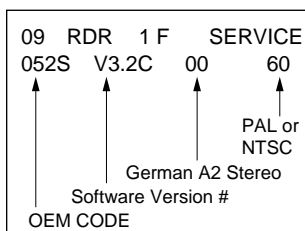
Set the standby condition (Press **POWER** button on the commander) and then press **POWER** button again, hereupon it becomes TV mode.

c. METHOD OF WRITE FOR MEMORY

- 1) Set to Service Mode.
- 2) Press **[1]** (UP) and **[4]** (DOWN) to select an item of adjustments.
- 3) Press **MUTING** button and it will indicate WRITE on screen.
- 4) Press **[0]** button to write into memory.

d. MEMORY WRITE CONFIRMATION METHOD

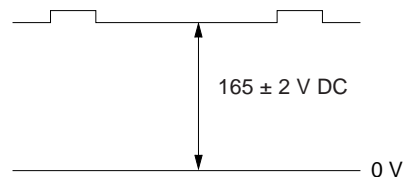
- 1) After adjustment, pull out the plug from AC outlet, and then plug into AC outlet again.
- 2) Turn the power switch ON and set to Service Mode.
- 3) Call the adjusted items again, confirm they were adjusted.



3-5. G2 (SCREEN) AND WHITE BALANCE ADJUSTMENTS

1. G2 (SCREEN) ADJUSTMENT (RV701)

- 1) Set the PICTURE and BRIGHTNESS to normal.
- 2) Put to VIDEO input mode without signals.
- 3) Connect R, G and B of the C board cathode to the oscilloscope.
- 4) Adjust G2 (RV701) volume to the value below.



2. WHITE BALANCE ADJUSTMENTS

- 1) Set to Service Mode.
- 2) Input an entire white signal.
- 3) Set the PICTURE to maximum.
- 4) Select RDR(09) with **[1]** and **[4]**, and then set the level to 25 with **[3]** and **[6]**.
- 5) Select GDR(0A) and BDR(0B) with **[1]** and **[4]**, and adjust the level with **[3]** and **[6]** for the best white balance.
- 6) Write into the memory by pressing **MUTING**, then **[0]**.

SECTION 4

SELF DIAGNOSIS FUNCTION

If no acknowledgement is returned from a device which is turned "ON", the device has a problem.
In this case, one of the LED's responding to the problem device will flicker a defined number of times.

Flickering is operated by lighting the LED's for 60ms each time.

The flickering frequency responding to each failed device is shown below.

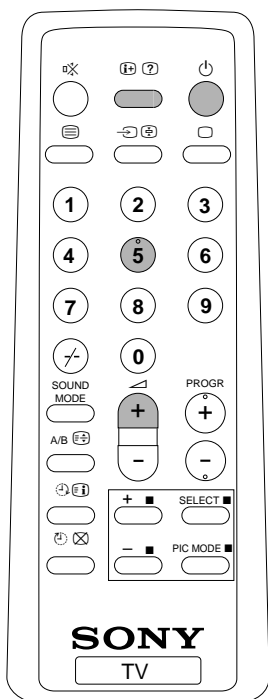
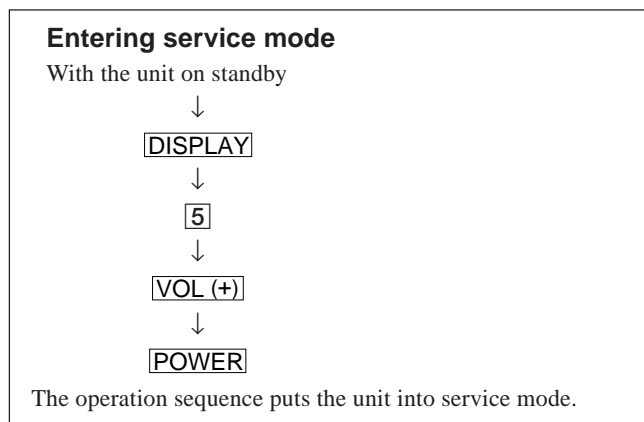
Board name	A Board	A Board
Ref. No.	IC003	IC300
Device	NONVOLATILE MEMORY (ST24C04FB6)	Y/C JUNGLE (TDA8374A)
Flickering Frequency	1	3

All the devices are checked one after another from the left of the table.
If an error is found, the responding LED will start flickering.
So, if more than 1 device have failed, only the one on the left side will flicker.

SECTION 5 CIRCUIT ADJUSTMENTS

5-1. ADJUSTMENTS WITH COMMANDER

Service adjustments are made with the RM-869 that comes with this unit.

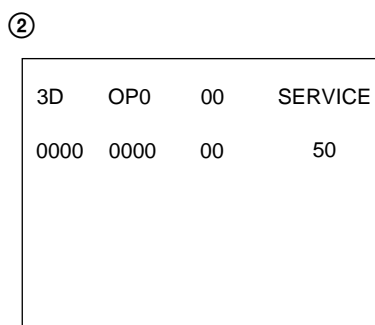
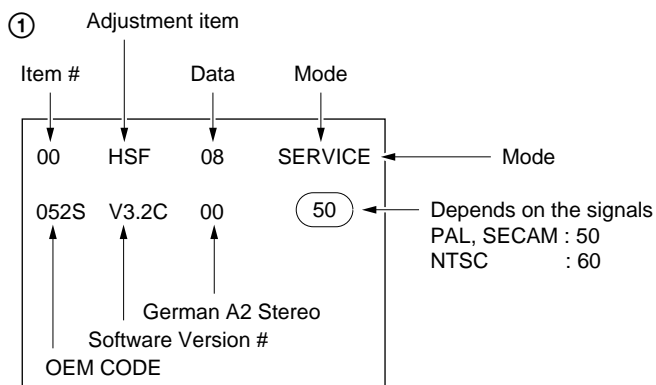


RM-869

[1], [4]	Raise/lower the service item number
[3], [6]	Raise/lower the data
[MUTING]	Writes
[0]	Executes the writing

- [7], [0] All data becomes the values in memory
- [8], [0] All user control goes to the standard state
- [5], [0] Service data initialization (Be sure not to use usually.)
- [2], [0] Write 50Hz adjustment data to 60Hz, or viceversa.

The screen display is :



(Bit options adjustable)

[1], [4]	Select the adjustment item.
↓	
[3], [6]	Raise/lower the data.
↓	
[MUTING]	Writes
↓	
[0]	Executes the writing.

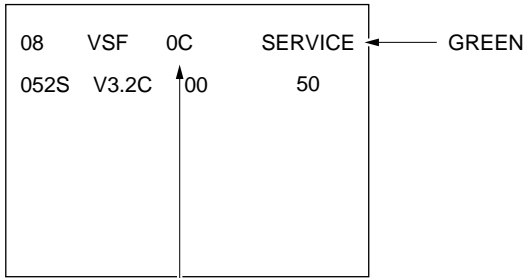
5-2. ADJUSTMENT METHOD

Item Number 08

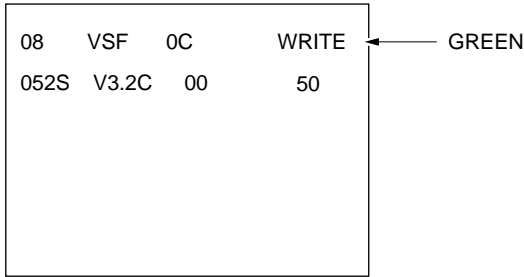
This explanation uses V-SHIFT as an example.

1. Select 08 V-SHIFT with the **[1]** and **[4]** buttons.
2. Raise/lower the data with the **[3]** and **[6]** buttons.
3. Select the optimum state. (The standard is 0F for PAL reception.)
4. Write with the **[MUTING]** button.
5. Execute the writing with the **[0]** button. (The WRITE display returns to green SERVICE.)

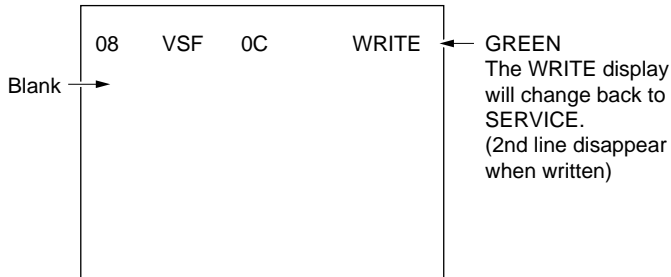
Use the same method for Items Number 00-40. Use **[1]** and **[4]** to select the adjustment item, use **[3]** and **[6]** to adjust, write with **[MUTING]**, then execute the write with **[0]**.



Adjusted with **[3]** and **[6]** buttons



Written with **[MUTING]**



Write executed with **[0]**

Adjustment Item Table

Item No.	Adj. Item	Data Range	Initial Data	Note for Different Data			Function	Device
00	HSF	00-3F		50: 2C	60: 33		H Shift	TDA8375
01	HSZ	00-3F		50: 35	60: 35		H Size	TDA8375
02	PAP	00-3F		50: 25	60: 25		Pin Amplitude	TDA8375
03	CNP	00-3F		50: 10	60: 0C		Corner Pin	TDA8375
04	TLT	00-3F		50: 20	60: 2D		Tilt	TDA8375
05	VSL	00-3F		50: 1F	60: 1F		V Slope	TDA8375
06	VAP	00-3F		50: 1C	60: 1B		V Amplitude	TDA8375
07	SCR	00-3F		50: 16	60: 16		S Correction	TDA8375
08	VSF	00-3F		50: 10	60: 10		V Shift	TDA8375
09	RDR	00-3F	25				R Drive	TDA8375
0A	GDR	00-3F	20				G Drive	TDA8375
0B	BDR	00-3F	20				B Drive	TDA8375
0C	FO	00-03		TV: 00	VIDEO: 00	TEXT: 00	ø1 TIME CONSTANT	TDA8375
0D	AGC	00-3F		TV: 28	VIDEO: 28	TEXT: 28	AGC Take Over	TDA8375
0E	VSW	00-01		TV: 00	VIDEO: 01	TEXT: 00	Video Mute Switch	TDA8375
0F	FOR	00-03	03				Forced Field Frequency	TDA8375
10	DL	00-01	00				De-interlace	TDA8375
11	POC	00-01	00				Fixed ø1 Synchro. Mode	TDA8375
12	COR	00-01		TV: 01	VIDEO: 00	TEXT: 00	Noise Coring	TDA8375
13	VPX	00-FF	00				Extra Bits (see below)	TDA8375
14	PMX	00-3F		TV: 20	VIDEO: 20	TEXT: 20	Picture Maximum Data	TDA8375
15	PMI	00-3F	04				Picture Maximum Data	TDA8375
16	SBR	00-7F	4B				Sub Brightness	TDA8375
17	SHU	00-0F	09				Sub Hue	TDA8375
18	SSH	00-03		TV: 01	VIDEO: 03		Sub Sharpness	TDA8375
19	SC1	00-3F		50: 26	60: 29		Sub Color Lower	TDA8375
1A	SC2	00-3F		50: 0C	60: 0D		Sub Color Higher	TDA8375
1B	AIP	00-7F	3F				Adjustment IF-PLL	TDA8375
1C	VZM	00-3F	19				Vertical Zoom	TDA8375
1D	WST	00-FF	15				W/G Stereo Threshold	MSP3410D
1E	WBT	00-FF	EB				W/G Bilingual Threshold	MSP3410D
1F	WLL	00-FF	05				W/G Monaural Threshold	MSP3410D
20	ACG	00-01	01				ACG Switch auto/constant	MSP3410D
21	CDB	00-3F	28				ACG Gain at Constant Mode	MSP3410D
22	FGP	00-7F	24				FM Prescale for B/G, I. DK	MSP3410D
23	FMP	00-7F	40				FM Prescale for M	MSP3410D
24	FMH	00-7F	20				FM Prescale for HDEV Mode	MSP3410D
25	WGP	00-7F	3C				W/G Prescale	MSP3410D
26	NIP	00-7F	7F				NICAM Prescale	MSP3410D
27	SCP	00-7F	20				SCART Input Prescale	MSP3410D
28	SCV	00-7F	20				SCART Output Prescale	MSP3410D
29	CRM	00-01	00				Carrier Muting on/off	MSP3410D
2A	ACD	00-01	01				Audio Clock-out on/off	MSP3410D
2B	AWC	00-0F	01				W/G Agreement Count	MSP3410D
2C	NFT	00-FF	50				Auto FM Switch Threshold	MSP3410D
2D	DLG	00-FF	30				W/G Search Delay	MSP3410D
2E	DLN	00-FF	10				NICAM Search Delay	MSP3410D
2F	DLS	00-FF	0A				Stereo Status Read Delay	MSP3410D
30	SMX	00-7F	72				DFP Volume Maximum	MSP3410D
31	ING	00-0F		M: 00	non-M: 00	VIDEO: 00	Input Gain	TDA7438
32	VOM	00-3F	01				Volume Output Gain	TDA7438
33	TXH	00-03	01				Teletext Horizontal Position	SAA5261
34	BKP	00-3F	00				Picture Data at Blanking OFF	Other Control
35	ODL	00-FF	10				Power on Delay	Other Control
36	OFR	00-0F	00				RGB Output Time (STBY OFF)	Other Control

Item No.	Adj. Item	Data Range	Initial Data	Note for Different Data	Function	Device
37	OFM	00-0F	00		RGB Output Time (AC OFF)	Other Control
38	OSH	00-3F	0A		OSD H POSITION	Other Control
39	DSK	00-01	00		D/K Stereo enable/disable	TDA8375
3A	MUT	00-01	00		Muting on/off at No. Sync	Other Control
3B	ABL	00-01	00		Bright ABL Switch	Other Control
3C	SCM	00-01	00		SECAM Trap active/inactive	Other Control
3D	FBT	00-01	01		FBT L/S C/M stract/plain	Other Control
3E	OP0	00-FF	4F		Optional Flags 0 (see below)	Other Control
3F	OP1	00-FF	0F		Optional Flags 1 (see below)	Other Control
40	OP2	00-FF	00		Optional Flags 2 (see below)	Other Control

NOTE

- Note for Different Data Those are the standard data values written on the microprocessor. Therefore, the data values of the modes are stored respectively in the memory.
In case of a device replacement, adjustment by rewriting the data value is necessary for some items.
- 50 50 Hz data
- 60 60 Hz data
- Note for Different Data listed on the adjustment item table are reference values, therefore it is different for every model.

Option Note**Item No. 13 VPX**

Item	HCO	EVG	SBL	PRD	–	–	–	VID
Initial data	0	0	0	0	0	0	0	0

HCO EHT Tracking Mode 1 = on V and E–W. 0 = only on V
 EVG Enable Vertical Guard 1 = enable. 0 = disable
 SBL Service Blanking 1 = active. 0 = inactive
 PRD Over-voltage Protection Detection 1 = enable. 0 = disable
 VID Video Ident Mode 1 = not for ø1-loop 0 = for ø1-loop

Item No. 3E OP0

Item	No TOP	AV input		AVMUT	B/G	I	D/K	M
Initial data	0	1	0	0	1	1	1	1

AV Input 0 0 no AV input model 0 1 1 AV input model
 1 0 2 AV input model 1 1 2 AV input and RGB input model
 No TOP (for teletext model) 1 = only FLOF available. 0 = both FLOF and TOP available
 AV MUT 1 = AV multi is always muted if no signal input. 0 = not muted always
 Other optional bits are effective if set to 1.

Item No. 3F OP1

Item	No NICAM	–	HDEV	1 V-Curve	XTAL SEL		SECAM	2nd Lang.
Initial data	0	0	0	0	1	1	1	1

XTAL SEL 0 0 only 4.43 XTAL 0 1 only 3.58 XTAL
 1 0 (not used) 1 1 both 4.43 and 3.58 XTAL
 1 V-Curve (for monaural model)
 1 = using common volume curve for every mode and every TV system
 0 = another volume curve available for video mode and M system
 HDEV 1 = High Deviation Mode switch available. 0 = not available
 Other optional bits are effective if set to 1.

Item No. 40 OP2

Item	–	–	No. Bal	TV Out	Hotel	VM	D.B.F.B.	Thai Bil.
Initial data	0	0	0	0	0	0	0	0

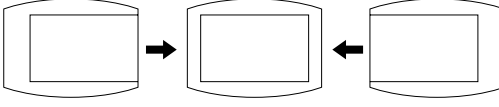
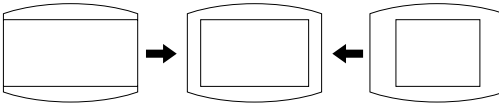
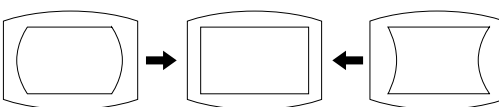
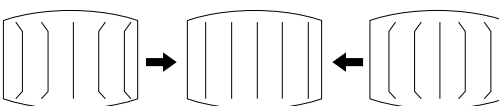
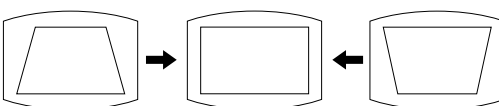
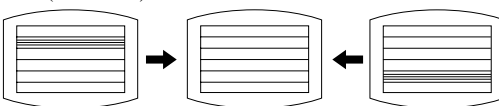
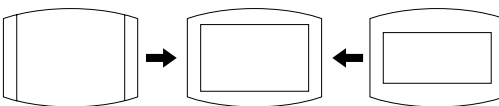
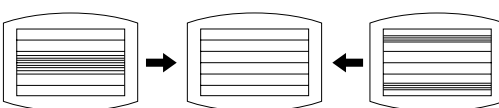
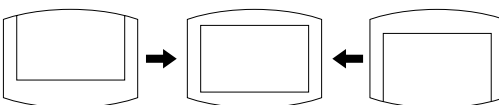
No Bal. (for AV stereo model) 1 = no balance in analog select items. 0 = balance included
 Other optional bits are effective if set to 1.
 Hotel TV mode should be switched with remote commander from STBY condition as below.
 Hotel TV on : push “display”. “8”. “vol +” and “power” sequentially
 Hotel TV off : push “display”. “8”. “vol –” and “power” sequentially

5-3. A BOARD ADJUSTMENT AFTER IC003 (MEMORY) REPLACEMENT

1. Enter to Service Mode.
2. Press commander buttons **5** and **0** (Data Initialize), and **2** and **0** (Data Copy) to initialize the data.
3. Call each item number, and check if the respective screen shows the normal picture.
In case some items are not well-adjusted, give them fine adjustment.
Write the data per each item number (**MUTING** + **0**).
4. Select item numbers “3E” (OP0), “3F” (OP1) and “40” (OP2) and respectively set the bit per model with command buttons **3** and **6**.
5. Press commander buttons **8** and **0** (Test Normal) to return to the data that was set on the shipment from the factory.
(= Cancel Service Mode.)

5-4. PICTURE DISTORTION ADJUSTMENT

Item Number 00 – 08

- 00 HSF (H SHIFT)
 
- 01 HSZ (H SIZE)
 
- 02 PAP (PIN AMPLITUDE)
 
- 03 CNP (CORNER PIN)
 
- 04 TLT (TILT)
 
- 05 VSL (V SLOPE)
 
- 06 VAP (V AMPLITUDE)
 
- 07 SCR (S CORRECTION)
 
- 08 VSF (V SHIFT)
 

SECTION 7 EXPLODED VIEW

KV-G14M2
RM-869

KV-G14M2
RM-869

NOTE:

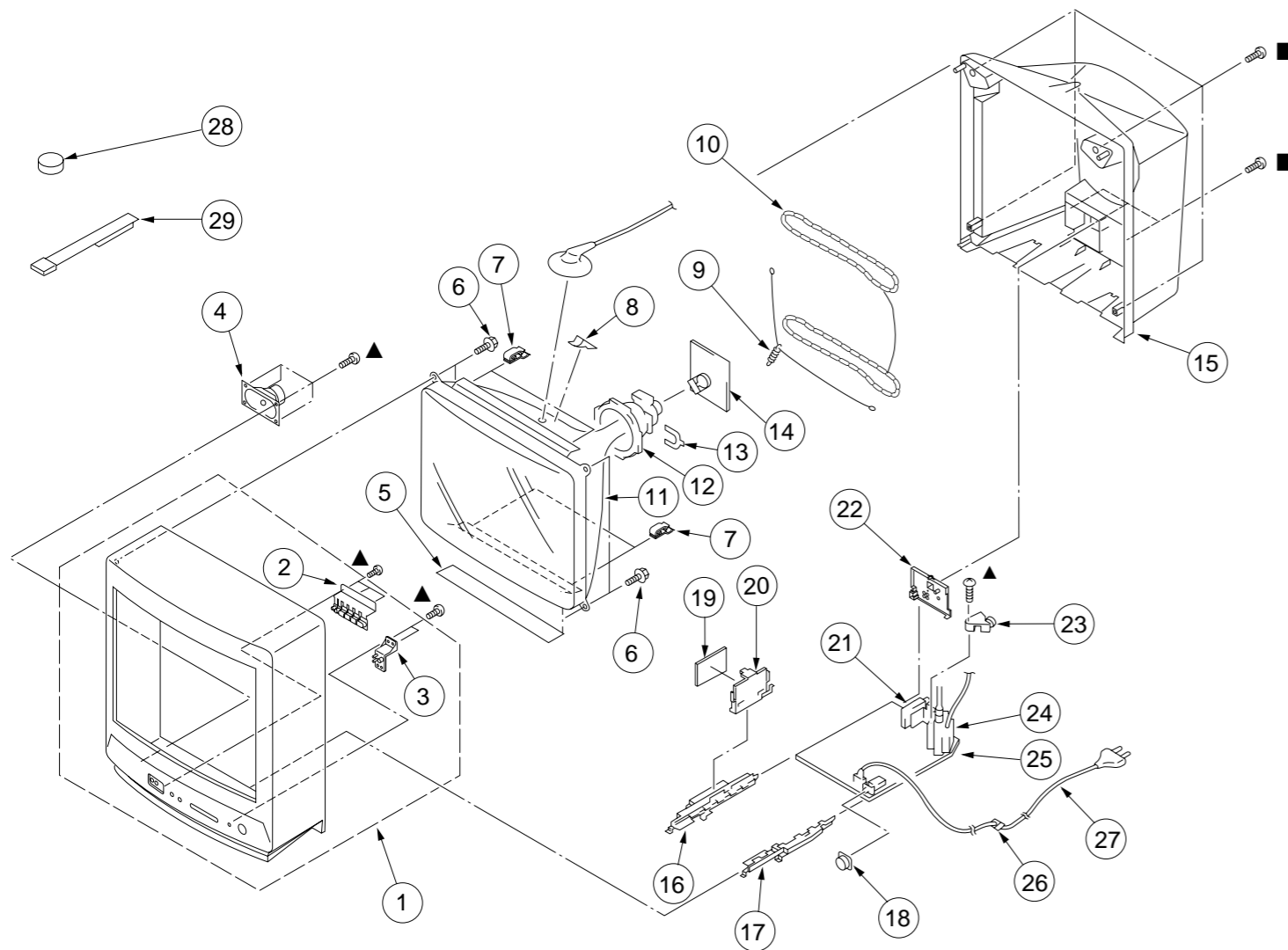
- Items with no part number and no description are not stocked because they are seldom required for routine service.
- The construction parts of an assembled part are indicated with a collation number in the remark column.

- Items marked " * " are not stocked since they are seldom required for routine service. Some delay should be anticipated when ordering these items.

The components identified by shading and mark Δ are critical for safety.
Replace only with part number specified.

7-1. CHASSIS

- : BVTP4 × 16 7-685-663-71
- ▲ : BVTP3 × 12 7-685-648-71



REF.NO.	PART NO.	DESCRIPTION	REMARK	REF.NO.	PART NO.	DESCRIPTION	REMARK
(FOR F35430206/F35430296)				(FOR F35821706/F35821796)			
1	X-4034-826-1	BEZNET ASSY	2, 3	1	X-4034-829-1	BEZNET ASSY	2, 3
2	4-056-187-01	BUTTON, MULTI		2	4-059-721-01	BUTTON, MULTI	
3	4-056-188-01	PLATE, LIGHT GUIDE		3	4-059-714-01	PLATE, GUIDE LIGHT	
4	1-505-547-11	SPEAKER (5X9CM)		4	1-505-547-11	SPEAKER (5X9CM)	
5	4-372-556-31	SHEET, BLOTTING		5	4-372-556-41	SHEET, BLOTTING	
6	4-365-808-21	SCREW (5), TAPPING		6	4-365-808-31	SCREW (5), TAPPING	
7	4-390-169-12	HOLDER, DGC		7	4-390-169-21	HOLDER, DEGAUSSING COIL	
8	4-046-600-11	SPACER, DY		8	4-064-818-01	SPACER, DY	
9	4-369-318-61	SPRING, TENSION		9	4-369-318-41	SPRING, TENSION	
10	Δ 1-426-145-21	COIL, DEGAUSSING		10	Δ 1-426-145-21	COIL, DEMAGNETIZATION	
11	Δ 8-735-562-05	PICTURE TUBE (A34JBU70X)		11	Δ 8-735-562-05	PICTURE TUBE (A34JBU70X)	
12	Δ 8-451-418-21	DEFLECTION YOKE (Y14NDA2)		12	Δ 8-451-418-51	DEFLECTION YOKE (Y14NDA2-1)	
13	1-452-277-00	MAGNET, BMC		13	1-452-277-00	MAGNET, BMC	
14	* A-1331-687-A	C BOARD, COMPLETE		14	* A-1331-704-A	C BOARD, COMPLETE	
15	Δ 4-056-185-21	COVER, REAR		15	Δ 4-056-185-21	COVER, REAR	
16	* 4-055-841-03	RAIL (L), GUIDE		16	* 4-059-713-01	RAIL (L), GUIDE	
17	* 4-055-840-02	RAIL (R), GUIDE		17	* 4-059-712-01	RAIL (R), GUIDE	
18	4-056-186-01	BUTTON, POWER		18	4-059-708-01	BUTTON, POWER	
19	* A-1241-204-A	F1 BOARD, COMPLETE		19	* A-1241-210-A	F1 BOARD, COMPLETE	
20	* 4-049-158-01	BRACKET, F1 PC BOARD		20	4-050-701-02	BRACKET, F1 PC BOARD	
21	Δ 8-598-323-30	TUNER, VSS BT-AG401		21	Δ 8-598-323-30	TUNER, VSS BT-AG401	
22	4-059-710-02	BRACKET, TERMINAL BOARD		22	4-059-716-01	BRACKET, TERMINAL BOARD	
23	* 4-059-711-02	HOLDER, FBT		23	4-059-707-02	HOLDER FBT	
24	Δ 1-453-249-11	TRANSFORMER ASSY, FLYBACK (NX-1733/M3A)		24	Δ 1-453-249-11	TRANSFORMER ASSY, FLYBACK (NX-1733/M3A)	
25	* A-1298-593-A	A BOARD, COMPLETE (F35430206)		25	* A-1298-617-A	A BOARD, COMPLETE (F35821796)	
	* A-1298-594-A	A BOARD, COMPLETE (F35430296)			* A-1298-616-A	A BOARD, COMPLETE (F35821706)	
26	Δ 4-022-115-12	HOLDER, AC CORD		26	Δ 4-022-115-12	HOLDER, AC CORD	
27	Δ 1-574-062-11	CORD, POWER (WITH CONNECTOR) 2.5A/250V		27	Δ 1-574-062-11	CORD, POWER (WITH CONNECTOR) 2.5A/250V	
28	1-452-032-00	MAGNET, DISC		28	1-452-032-00	MAGNET, DISC	
29	4-051-736-12	PIECE A(90), CONV. CORRECT		29	4-051-736-12	PIECE A(90), CONV. CORRECT	

NOTE:

- 1) F35430206 : SBN plant. (Serial no. Start with 1,450,001 ~ 1,500,000) and Chinese OSD (μ -com is IC CXP85220A-058S)
- 2) F35430296 : SBN plant. (Serial no. Start with 1,450,001 ~ 1,500,000) and Arabic OSD (μ -com is IC CXP85220A-060S)
- 3) F35821706 : SSI plant. (Serial no. Start with 6,950,001 ~ 7,000,000) and Chinese OSD (μ -com is IC CXP85220A-058S)
- 4) F35821796 : SSI plant. (Serial no. Start with 6,950,001 ~ 7,000,000) and Arabic OSD (μ -com is IC CXP85220A-060S)

ELECTRICAL PARTS LIST

A (F35430206)
F35430296

NOTE:

The components identified by shading and mark Δ are critical for safety. Replace only with part number specified.

When indicating parts by reference number, please include the board name.

• Items marked " * " are not stocked since they are seldom required for routine service. Some delay should be anticipated when ordering these items.

• All variable and adjustable resistors have characteristic curve B, unless otherwise noted.

RESISTORS

- All resistors are in ohms
- F : nonflammable

CAPACITORS

- MF : μ F, PF : μ MF

COILS

- MMH : μ H, UH : μ H

REF.NO.	PART NO.	DESCRIPTION	REMARK	REF.NO.	PART NO.	DESCRIPTION	REMARK
* A-1298-593-A	A BOARD, COMPLETE (F35430206)			C046	1-163-117-00	CERAMIC CHIP 100PF 5% 50V	
	*****			C047	1-163-117-00	CERAMIC CHIP 100PF 5% 50V	
* A-1298-594-A	A BOARD, COMPLETE (F35430296)			C048	1-164-004-11	CERAMIC CHIP 0.1MF 10% 25V	
	*****			C049	1-164-004-11	CERAMIC CHIP 0.1MF 10% 25V	
				C050	1-126-960-11	ELECT 1MF 20% 50V	
* 1-580-798-11	CONNECTOR PIN (DY) 6P			C051	1-163-117-00	CERAMIC CHIP 100PF 5% 50V	
* 4-049-131-01	CASE (A), SHIELD			C052	1-164-004-11	CERAMIC CHIP 0.1MF 10% 25V	
	<CAPACITOR>			C053	1-163-009-11	CERAMIC CHIP 0.001MF 10% 50V	
C001	1-163-011-11	CERAMIC CHIP 0.0015MF 10% 50V		C054	1-163-009-11	CERAMIC CHIP 0.001MF 10% 50V	
C002	1-126-965-11	ELECT 22MF 20% 50V		C055	1-126-925-11	ELECT 470MF 20% 10V	
C003	1-163-117-00	CERAMIC CHIP 100PF 5% 50V		C056	1-163-009-11	CERAMIC CHIP 0.001MF 10% 50V	
C004	1-126-961-11	ELECT 2.2MF 20% 50V		C057	1-163-243-11	CERAMIC CHIP 47PF 5% 50V	
C006	1-163-009-11	CERAMIC CHIP 0.001MF 10% 50V		C058	1-163-117-00	CERAMIC CHIP 100PF 5% 50V	
C007	1-126-959-11	ELECT 0.47MF 20% 50V		C059	1-163-117-00	CERAMIC CHIP 100PF 5% 50V	
C008	1-163-117-00	CERAMIC CHIP 100PF 5% 50V		C060	1-163-009-11	CERAMIC CHIP 0.001MF 10% 50V	
C009	1-163-133-00	CERAMIC CHIP 470PF 5% 50V		C061	1-164-505-11	CERAMIC CHIP 2.2MF 16V	
C010	1-163-037-11	CERAMIC CHIP 0.022MF 10% 50V		C064	1-163-009-11	CERAMIC CHIP 0.001MF 10% 50V	
C011	1-126-967-11	ELECT 47MF 20% 16V		C072	1-126-925-11	ELECT 470MF 20% 10V	
C012	1-163-117-00	CERAMIC CHIP 100PF 5% 50V		C074	1-163-001-11	CERAMIC CHIP 220PF 10% 50V	
C013	1-163-009-11	CERAMIC CHIP 0.001MF 10% 50V		C101	1-163-029-11	CERAMIC CHIP 0.0047MF 50V	
C014	1-163-009-11	CERAMIC CHIP 0.001MF 10% 50V		C105	1-104-665-11	ELECT 100MF 20% 16V	
C015	1-101-884-00	CERAMIC 56PF 5% 50V		C106	1-126-964-11	ELECT 10MF 20% 50V	
C016	1-101-884-00	CERAMIC 56PF 5% 50V		C108	1-126-942-61	ELECT 1000MF 20% 16V	
C017	1-163-117-00	CERAMIC CHIP 100PF 5% 50V		C109	1-163-017-00	CERAMIC CHIP 0.0047MF 10% 50V	
C018	1-163-117-00	CERAMIC CHIP 100PF 5% 50V		C111	1-163-009-11	CERAMIC CHIP 0.001MF 10% 50V	
C019	1-163-009-11	CERAMIC CHIP 0.001MF 10% 50V		C114	1-163-117-00	CERAMIC CHIP 100PF 5% 50V	
C020	1-163-009-11	CERAMIC CHIP 0.001MF 10% 50V		C115	1-163-093-00	CERAMIC CHIP 10PF 5% 50V	
C021	1-163-009-11	CERAMIC CHIP 0.001MF 10% 50V		C116	1-136-165-00	FILM 0.1MF 5% 50V	
C022	1-163-009-11	CERAMIC CHIP 0.001MF 10% 50V		C117	1-163-117-00	CERAMIC CHIP 100PF 5% 50V	
C023	1-163-009-11	CERAMIC CHIP 0.001MF 10% 50V		C118	1-126-965-11	ELECT 22MF 20% 50V	
C024	1-163-009-11	CERAMIC CHIP 0.001MF 10% 50V		C119	1-164-232-11	CERAMIC CHIP 0.01MF 10% 50V	
C025	1-163-009-11	CERAMIC CHIP 0.001MF 10% 50V		C120	1-130-493-00	MYLAR 0.068MF 5% 50V	
C026	1-163-009-11	CERAMIC CHIP 0.001MF 10% 50V		C121	1-130-493-00	MYLAR 0.068MF 5% 50V	
C027	1-163-009-11	CERAMIC CHIP 0.001MF 10% 50V		C122	1-104-665-11	ELECT 100MF 20% 16V	
C028	1-163-009-11	CERAMIC CHIP 0.001MF 10% 50V		C124	1-164-004-11	CERAMIC CHIP 0.1MF 10% 25V	
C029	1-163-009-11	CERAMIC CHIP 0.001MF 10% 50V		C125	1-164-004-11	CERAMIC CHIP 0.1MF 10% 25V	
C032	1-163-031-11	CERAMIC CHIP 0.01MF 50V		C127	1-164-004-11	CERAMIC CHIP 0.1MF 10% 25V	
C034	1-164-004-11	CERAMIC CHIP 0.1MF 10% 25V		C128	1-164-004-11	CERAMIC CHIP 0.1MF 10% 25V	
C035	1-163-009-11	CERAMIC CHIP 0.001MF 10% 50V		C234	1-126-964-11	ELECT 10MF 20% 50V	
C036	1-163-009-11	CERAMIC CHIP 0.001MF 10% 50V		C235	1-126-967-11	ELECT 47MF 20% 16V	
C037	1-163-117-00	CERAMIC CHIP 100PF 5% 50V		C236	1-104-666-11	ELECT 220MF 20% 25V	
C038	1-163-117-00	CERAMIC CHIP 100PF 5% 50V		C237	1-104-665-11	ELECT 100MF 20% 16V	
C040	1-163-117-00	CERAMIC CHIP 100PF 5% 50V		C238	1-136-167-00	FILM 0.15MF 5% 50V	
C042	1-163-117-00	CERAMIC CHIP 100PF 5% 50V		C241	1-126-942-61	ELECT 1000MF 20% 25V	
C044	1-163-117-00	CERAMIC CHIP 100PF 5% 50V		C242	1-164-232-11	CERAMIC CHIP 0.01MF 10% 50V	
C045	1-163-117-00	CERAMIC CHIP 100PF 5% 50V		C243	1-126-965-11	ELECT 22MF 20% 50V	
				C244	1-126-942-61	ELECT 1000MF 20% 25V	

The components identified by shading and mark Δ are critical for safety. Replace only with part number specified.

REF. NO.	PART NO.	DESCRIPTION	REMARK	REF. NO.	PART NO.	DESCRIPTION	REMARK
C252	1-126-961-11	ELECT 2.2MF 20% 50V		C301	1-126-964-11	ELECT 10MF 20% 50V	
C253	1-104-665-11	ELECT 100MF 20% 16V		C304	1-164-004-11	CERAMIC CHIP 0.1MF 10% 25V	
C255	1-164-232-11	CERAMIC CHIP 0.01MF 10% 50V		C305	1-164-004-11	CERAMIC CHIP 0.1MF 10% 25V	
C258	1-136-167-00	FILM 0.15MF 5% 50V		C306	1-164-004-11	CERAMIC CHIP 0.1MF 10% 25V	
C300	1-126-967-11	ELECT 47MF 20% 16V		C307	1-164-004-11	CERAMIC CHIP 0.1MF 10% 25V	
C308	1-164-004-11	CERAMIC CHIP 0.1MF 10% 25V		C309	1-164-004-11	CERAMIC CHIP 0.1MF 10% 25V	
C309	1-164-004-11	CERAMIC CHIP 0.1MF 10% 25V		C310	1-164-004-11	CERAMIC CHIP 0.1MF 10% 25V	
C310	1-164-004-11	CERAMIC CHIP 0.1MF 10% 25V		C311	1-163-231-11	CERAMIC CHIP 15PF 5% 50V	
C311	1-163-231-11	CERAMIC CHIP 15PF 5% 50V		C312	1-163-231-11	CERAMIC CHIP 15PF 5% 50V	
C312	1-163-231-11	CERAMIC CHIP 15PF 5% 50V		C313	1-104-665-11	ELECT 100MF 20% 16V	
C313	1-104-665-11	ELECT 100MF 20% 16V		C314	1-164-161-11	CERAMIC CHIP 0.0022MF 10% 50V	
C314	1-164-161-11	CERAMIC CHIP 0.0022MF 10% 50V		C315	1-107-823-11	CERAMIC CHIP 0.47MF 10% 16V	
C315	1-107-823-11	CERAMIC CHIP 0.47MF 10% 16V		C316	1-102-125-00	CERAMIC 0.0047MF 10% 50V	
C316	1-102-125-00	CERAMIC 0.0047MF 10% 50V		C317	1-164-505-11	CERAMIC CHIP 2.2MF 16V	
C317	1-164-505-11	CERAMIC CHIP 2.2MF 16V		C319	1-164-004-11	CERAMIC CHIP 0.1MF 10% 25V	
C319	1-164-004-11	CERAMIC CHIP 0.1MF 10% 25V		C320	1-164-004-11	CERAMIC CHIP 0.1MF 10% 25V	
C320	1-164-004-11	CERAMIC CHIP 0.1MF 10% 25V		C321	1-164-004-11	CERAMIC CHIP 0.1MF 10% 25V	
C321	1-164-004-11	CERAMIC CHIP 0.1MF 10% 25V		C322	1-216-295-91	SHORT 0	
C322	1-216-295-91	SHORT 0		C323	1-163-235-11	CERAMIC CHIP 22PF 5% 50V	
C323	1-163-235-11	CERAMIC CHIP 22PF 5% 50V		C324	1-164-505-11	CERAMIC CHIP 2.2MF 16V	
C324	1-164-505-11	CERAMIC CHIP 2.2MF 16V		C325	1-163-093-00	CERAMIC CHIP 10PF 5% 50V	
C325	1-163-093-00	CERAMIC CHIP 10PF 5% 50V		C326	1-163-095-00	CERAMIC CHIP 12PF 5% 50V	
C326	1-163-095-00	CERAMIC CHIP 12PF 5% 50V		C327	1-163-093-00	CERAMIC CHIP 10PF 5% 50V	
C327	1-163-093-00	CERAMIC CHIP 10PF 5% 50V		C328	1-164-004-11	CERAMIC CHIP 0.1MF 10% 25V	
C328	1-164-004-11	CERAMIC CHIP 0.1MF 10% 25V		C329	1-163-016-00	CERAMIC CHIP 0.0039MF 10% 50V	
C329	1-163-016-00	CERAMIC CHIP 0.0039MF 10% 50V		C330	1-164-004-11	CERAMIC CHIP 0.1MF 10% 25V	
C330	1-164-004-11	CERAMIC CHIP 0.1MF 10% 25V		C331	1-126-964-11	ELECT 10MF 20% 50V	
C331	1-126-964-11	ELECT 10MF 20% 50V		C332	1-136-165-00	FILM 0.1MF 5% 50V	
C332	1-136-165-00	FILM 0.1MF 5% 50V		C333	1-164-004-11	CERAMIC CHIP 0.1MF 10% 25V	
C333	1-164-004-11	CERAMIC CHIP 0.1MF 10% 25V		C334	1-164-182-11	CERAMIC CHIP 0.0033MF 10% 50V	
C334	1-164-182-11	CERAMIC CHIP 0.0033MF 10% 50V		C335	1-102-973-00	CERAMIC 100PF 5% 50V	
C335	1-102-973-00	CERAMIC 100PF 5% 50V		C336	1-126-964-11	ELECT 10MF 20% 50V	
C336	1-126-964-11	ELECT 10MF 20% 50V		C337	1-104-665-11	ELECT 100MF 20% 16V	
C337	1-104-665-11	ELECT 100MF 20% 16V		C338	1-107-823-11	CERAMIC CHIP 0.47MF 10% 16V	
C338	1-107-823-11	CERAMIC CHIP 0.47MF 10% 16V		C339	1-163-121-00	CERAMIC CHIP 150PF 5% 50V	
C339	1-163-121-00	CERAMIC CHIP 150PF 5% 50V		C340	1-164-232-11	CERAMIC CHIP 0.01MF 10% 50V	
C340	1-164-232-11	CERAMIC CHIP 0.01MF 10% 50V		C341	1-163-117-00	CERAMIC CHIP 100PF 5% 50V	
C341	1-163-117-00	CERAMIC CHIP 100PF 5% 50V		C342	1-164-004-11	CERAMIC CHIP 0.1MF 10% 25V	
C342	1-164-004-11	CERAMIC CHIP 0.1MF 10% 25V		C344	1-126-964-11	ELECT 10MF 20% 50V	
C344	1-126-964-11	ELECT 10MF 20% 50V		C349	1-126-963-11	ELECT 4.7MF 20% 50V	
C349	1-126-963-11	ELECT 4.7MF 20% 50V		C350	1-126-967-11	ELECT 47MF 20% 16V	
C350	1-126-967-11	ELECT 47MF 20% 16V		C351	1-164-004-11	CERAMIC CHIP 0.1MF 10% 25V	
C351	1-164-004-11	CERAMIC CHIP 0.1MF 10% 25V		C352	1-164-489-11	CERAMIC CHIP 0.22MF 10% 16V	
C352	1-164-489-11	CERAMIC CHIP 0.22MF 10% 16V		C358	1-164-004-11	CERAMIC CHIP 0.1MF 10% 25V	
C358	1-164-004-11	CERAMIC CHIP 0.1MF 10% 25V		C359	1-104-665-11	ELECT 100MF 20% 16V	
C359	1-104-665-11	ELECT 100MF 20% 16V		C361	1-163-009-11	CERAMIC CHIP 0.001MF 10% 50V	
C361	1-163-009-11	CERAMIC CHIP 0.001MF 10% 50V		C367	1-164-004-11	CERAMIC CHIP 0.1MF 10% 25V	
C367	1-164-004-11	CERAMIC CHIP 0.1MF 10% 25V		C368	1-164-004-11	CERAMIC CHIP 0.1MF 10% 25V	
C368	1-164-004-11	CERAMIC CHIP 0.1MF 10% 25V		C369	1-164-004-11	CERAMIC CHIP 0.1MF 10% 25V	
C369	1-164-004-11	CERAMIC CHIP 0.1MF 10% 25V		C370	1-164-004-11	CERAMIC CHIP 0.1MF 10% 25V	
C370	1-164-004-11	CERAMIC CHIP 0.1MF 10% 25V		C374	1-126-967-11	ELECT 47MF 20% 10V	
C374	1-126-967-11	ELECT 47MF 20% 10V		C375	1-126-967-11	ELECT 47MF 20% 10V	
C375	1-126-967-11	ELECT 47MF 20% 10V		C376	1-107-823-11	CERAMIC CHIP 0.47MF 10% 16V	
C376	1-107-823-11	CERAMIC CHIP 0.47MF 10% 16V		C402	1-164		

The components identified by shading
and mark Δ are critical for safety.
Replace only with part number specified.

A (F35430206)
(F35430296)

REF.NO.	PART NO.	DESCRIPTION	REMARK	REF.NO.	PART NO.	DESCRIPTION	REMARK
D611	8-719-510-26	DIODE D1NL20				<CHIP CONDUCTOR>	
D801	8-719-945-80	DIODE ERC06-15S		JR050	1-216-295-91	SHORT	0
D851	8-719-302-43	DIODE EL1Z		JR052	1-216-295-91	SHORT	0
D852	8-719-028-72	DIODE RGP02-17EL-6433		JR101	1-216-295-91	SHORT	0
D853	8-719-302-43	DIODE EL1Z		JR111	1-216-295-91	SHORT	0
D855	8-719-302-43	DIODE EL1Z		JR112	8-719-041-97	DIODE MA113-(TX)	
D857	8-719-908-03	DIODE GP08D		JR113	1-216-295-91	SHORT	0
D858	8-719-908-03	DIODE GP08D		JR114	1-208-291-11	RES,CHIP	4.7M 5% 1/10W
D860	8-719-911-19	DIODE 1SS119-25		JR116	1-216-295-91	SHORT	0
D901	1-810-039-11	LED UNIT		JR117	1-216-295-91	SHORT	0
D1201	8-719-121-24	DIODE RD9.1ESL		JR118	1-216-295-91	SHORT	0
D1202	8-719-121-24	DIODE RD9.1ESL		JR124	1-216-295-91	SHORT	0
D1207	8-719-121-24	DIODE RD9.1ESL		JR125	1-216-295-91	SHORT	0
D1208	8-719-121-24	DIODE RD9.1ESL		JR126	1-216-295-91	SHORT	0
D1504	8-719-911-19	DIODE 1SS119-25		JR251	1-216-295-91	SHORT	0
D1505	8-719-109-81	DIODE RD4.7ESB2				<COIL>	
		<FERRITE BEAD>		L001	1-408-397-00	INDUCTOR	1UH
FB101	1-410-397-21	FERRITE	1.1UH	L002	1-410-509-11	INDUCTOR	10UH
FB102	1-410-397-21	FERRITE	1.1UH	L003	1-408-605-31	INDUCTOR	15UH
FB103	1-410-397-21	FERRITE	1.1UH	L101	1-410-470-11	INDUCTOR	10UH
FB601	1-410-397-21	FERRITE	1.1UH	L301	1-408-602-31	INDUCTOR	8.2UH
FB603	1-410-397-21	FERRITE	1.1UH	L401	1-410-498-11	INDUCTOR	1.2UH
FB610	1-410-397-21	FERRITE	1.1UH	L402	1-410-510-11	INDUCTOR	12UH
FB612	1-410-397-21	FERRITE	1.1UH	L403	1-410-510-11	INDUCTOR	12UH
		<IC>		L404	1-410-508-11	INDUCTOR	8.2UH
IC001	8-752-891-28	IC CXP85220A-058S (F35430206)		L405	1-410-508-11	INDUCTOR	8.2UH
IC001	8-752-891-61	IC CXP85220A-060S (F35430296)		L406	1-410-507-11	INDUCTOR	6.8UH
IC002	8-759-805-37	IC L78LR05D-MA		L407	1-410-511-11	INDUCTOR	15UH
IC003	8-759-370-33	IC ST24C04FB6		L408	1-410-500-11	INDUCTOR	1.8UH
IC004	8-742-041-12	HYB IC SBX1981-11(12)		L409	1-410-501-11	INDUCTOR	2.2UH
IC100	8-759-157-40	IC UPC574J		L410	1-410-501-11	INDUCTOR	2.2UH
IC203	8-759-339-60	IC TA8248K		L411	1-410-502-11	INDUCTOR	2.7UH
IC300	8-759-365-25	IC TDA8374A		L802	1-412-527-11	INDUCTOR	15UH
IC351	8-759-288-85	IC TDA4665T-T		L805	1-460-046-11	COIL, HORIZONTAL LINEARITY	
IC354	8-759-251-56	IC TDA8395T		L807	1-459-348-51	COIL, VAR, FERRITE (HWC)	
IC401	8-759-800-65	IC LA7910		L808	1-412-553-11	INDUCTOR	3.3MMH
IC521	8-759-195-63	IC PQ09RE11		L821	1-406-677-11	INDUCTOR	0UH
IC551	8-759-801-98	IC LA7830		L850	1-408-947-00	INDUCTOR	2.2MMH
IC601	8-749-014-00	IC STR-S6707N				<TRANSISTOR>	
IC602	8-749-921-89	IC SE115N		Q030	8-729-422-27	TRANSISTOR 2SD601A-Q	
IC603 Δ	8-749-010-64	PHOTO COUPLER PC123F2		Q108	8-729-422-27	TRANSISTOR 2SD601A-Q	
IC801	8-759-100-96	IC UPC4558G2		Q109	8-729-422-27	TRANSISTOR 2SD601A-Q	
IC1210	8-759-100-96	IC UPC4558G2		Q110	8-729-422-27	TRANSISTOR 2SD601A-Q	
IC1211	8-759-711-23	IC NJM2234L		Q202	8-729-216-22	TRANSISTOR 2SA1162-G	
		<JACK>		Q207	8-729-216-22	TRANSISTOR 2SA1162-G	
J251	1-770-785-11	JACK		Q208	8-729-421-19	TRANSISTOR UN2213	
J1201	1-779-849-11	JACK BLOCK, PIN 4P		Q210	8-729-424-67	TRANSISTOR UN2216	
J1202	1-779-205-11	JACK, PIN 2P		Q301	8-729-421-22	TRANSISTOR UN2211	
				Q303	8-729-422-27	TRANSISTOR 2SD601A-Q	
				Q402	8-729-922-66	TRANSISTOR 2SC2410SN	
				Q403	8-729-424-67	TRANSISTOR UN2216	
				Q404	8-729-424-67	TRANSISTOR UN2216	
				Q405	8-729-216-22	TRANSISTOR 2SA1162-G	
				Q406	8-729-216-22	TRANSISTOR 2SA1162-G	

A (F35430206)
F35430296

REF.NO.	PART NO.	DESCRIPTION	REMARK	REF.NO.	PART NO.	DESCRIPTION	REMARK
Q407	8-729-216-22	TRANSISTOR 2SA1162-G		R038	1-216-033-00	RES,CHIP 220	5% 1/10W
Q408	8-729-422-27	TRANSISTOR 2SD601A-Q		R040	1-216-033-00	RES,CHIP 220	5% 1/10W
Q409	8-729-216-22	TRANSISTOR 2SA1162-G		R041	1-216-025-91	RES,CHIP 100	5% 1/10W
Q410	8-729-216-22	TRANSISTOR 2SA1162-G		R042	1-216-039-00	RES,CHIP 390	5% 1/10W
Q411	8-729-422-27	TRANSISTOR 2SD601A-Q		R045	1-216-057-00	RES,CHIP 2.2K	5% 1/10W
Q412	8-729-422-27	TRANSISTOR 2SD601A-Q		R047	1-216-025-91	RES,CHIP 100	5% 1/10W
Q413	8-729-424-67	TRANSISTOR UN2216		R048	1-216-025-91	RES,CHIP 100	5% 1/10W
Q414	8-729-422-27	TRANSISTOR 2SD601A-Q		R053	1-216-295-91	SHORT 0	
Q415	8-729-424-67	TRANSISTOR UN2216		R054	1-216-073-00	RES,CHIP 10K	5% 1/10W
Q416	8-729-422-27	TRANSISTOR 2SD601A-Q		R057	1-216-049-91	RES,CHIP 1K	5% 1/10W
Q417	8-729-424-67	TRANSISTOR UN2216		R060	1-216-037-00	RES,CHIP 330	5% 1/10W
Q418	8-729-424-67	TRANSISTOR UN2216		R061	1-216-049-91	RES,CHIP 1K	5% 1/10W
Q561	8-729-200-17	TRANSISTOR 2SA1091-O		R062	1-216-057-00	RES,CHIP 2.2K	5% 1/10W
Q801	8-729-140-50	TRANSISTOR 2SC3209LK		R063	1-216-057-00	RES,CHIP 2.2K	5% 1/10W
Q802	8-729-810-49	TRANSISTOR 2SD1877S-SONY-CA		R066	1-216-033-00	RES,CHIP 220	5% 1/10W
Q902	8-729-421-19	TRANSISTOR UN2213		R068	1-216-025-91	RES,CHIP 100	5% 1/10W
Q903	8-729-421-19	TRANSISTOR UN2213		R071	1-216-037-00	RES,CHIP 330	5% 1/10W
Q1201	8-729-422-27	TRANSISTOR 2SD601A-Q		R072	1-216-061-00	RES,CHIP 3.3K	5% 1/10W
Q1202	8-729-422-27	TRANSISTOR 2SD601A-Q		R076	1-216-025-91	RES,CHIP 100	5% 1/10W
Q1203	8-729-422-27	TRANSISTOR 2SD601A-Q		R077	1-216-025-91	RES,CHIP 100	5% 1/10W
Q1204	8-729-216-22	TRANSISTOR 2SA1162-G		R090	1-216-073-00	RES,CHIP 10K	5% 1/10W
Q1207	8-729-422-27	TRANSISTOR 2SD601A-Q		R101	1-216-065-91	RES,CHIP 4.7K	5% 1/10W
Q1208	8-729-422-27	TRANSISTOR 2SD601A-Q		R102	1-216-049-91	RES,CHIP 1K	5% 1/10W
Q1209	8-729-422-27	TRANSISTOR 2SD601A-Q		R113	1-216-081-00	RES,CHIP 22K	5% 1/10W
Q1265	8-729-424-67	TRANSISTOR UN2216		R114	1-216-041-00	RES,CHIP 470	5% 1/10W
Q1513	8-729-422-27	TRANSISTOR 2SD601A-Q		R115	1-216-081-00	RES,CHIP 22K	5% 1/10W
		<RESISTOR>		R116	1-216-081-00	RES,CHIP 22K	5% 1/10W
R65	1-216-033-00	RES,CHIP 220	5% 1/10W	R117	1-216-081-00	RES,CHIP 22K	5% 1/10W
R001	1-216-065-91	RES,CHIP 4.7K	5% 1/10W	R118	1-216-081-00	RES,CHIP 22K	5% 1/10W
R002	1-216-065-91	RES,CHIP 4.7K	5% 1/10W	R119	1-216-055-00	RES,CHIP 1.8K	5% 1/10W
R003	1-216-065-91	RES,CHIP 4.7K	5% 1/10W	R120	1-216-109-00	RES,CHIP 330K	5% 1/10W
R004	1-216-065-91	RES,CHIP 4.7K	5% 1/10W	R131	1-216-464-11	METAL OXIDE 18K	5% 2W F
R007	1-216-073-00	RES,CHIP 10K	5% 1/10W	R180	1-216-033-00	RES,CHIP 220	5% 1/10W
R008	1-216-057-00	RES,CHIP 2.2K	5% 1/10W	R181	1-216-033-00	RES,CHIP 220	5% 1/10W
R009	1-216-049-91	RES,CHIP 1K	5% 1/10W	R182	1-216-033-00	RES,CHIP 220	5% 1/10W
R010	1-216-049-91	RES,CHIP 1K	5% 1/10W	R240	1-216-043-91	RES,CHIP 560	5% 1/10W
R012	1-216-017-91	RES,CHIP 47	5% 1/10W	R241	1-164-004-11	CERAMIC CHIP 0.1MF	10% 25V
R013	1-216-049-91	RES,CHIP 1K	5% 1/10W	R242	1-216-037-00	RES,CHIP 330	5% 1/10W
R014	1-216-049-91	RES,CHIP 1K	5% 1/10W	R243	1-216-073-00	RES,CHIP 10K	5% 1/10W
R015	1-216-049-91	RES,CHIP 1K	5% 1/10W	R244	1-216-073-00	RES,CHIP 10K	5% 1/10W
R016	1-216-049-91	RES,CHIP 1K	5% 1/10W	R245	1-216-067-00	RES,CHIP 5.6K	5% 1/10W
R017	1-216-057-00	RES,CHIP 2.2K	5% 1/10W	R248	1-216-071-00	RES,CHIP 8.2K	5% 1/10W
R018	1-216-033-00	RES,CHIP 220	5% 1/10W	R250	1-216-071-00	RES,CHIP 8.2K	5% 1/10W
R019	1-216-101-00	RES,CHIP 150K	5% 1/10W	R251	1-216-049-91	RES,CHIP 1K	5% 1/10W
R021	1-216-065-91	RES,CHIP 4.7K	5% 1/10W	R252	1-247-815-91	CARBON 220	5% 1/4W
R022	1-216-295-91	SHORT 0		R253	1-216-073-00	RES,CHIP 10K	5% 1/10W
R025	1-216-295-91	SHORT 0		R254	1-249-389-11	CARBON 4.7	5% 1/4W
R026	1-216-057-00	RES,CHIP 2.2K	5% 1/10W	R257	8-719-041-97	DIODE MA113-(TX)	
R027	1-216-065-91	RES,CHIP 4.7K	5% 1/10W	R265	1-216-061-00	RES,CHIP 3.3K	5% 1/10W
R028	1-216-025-91	RES,CHIP 100	5% 1/10W	R266	1-216-073-00	RES,CHIP 10K	5% 1/10W
R029	1-216-065-91	RES,CHIP 4.7K	5% 1/10W	R301	1-216-073-00	RES,CHIP 10K	5% 1/10W
R031	1-216-049-91	RES,CHIP 1K	5% 1/10W	R302	1-216-063-91	RES,CHIP 3.9K	5% 1/10W
R033	1-216-049-91	RES,CHIP 1K	5% 1/10W	R303	1-216-025-91	RES,CHIP 100	5% 1/10W
R035	1-216-049-91	RES,CHIP 1K	5% 1/10W	R304	1-216-025-91	RES,CHIP 100	5% 1/10W
R036	1-216-049-91	RES,CHIP 1K	5% 1/10W	R305	1-216-033-00	RES,CHIP 220	5% 1/10W
				R306	1-216-033-00	RES,CHIP 220	5% 1/10W
				R307	1-216-033-00	RES,CHIP 220	5% 1/10W

The components identified by shading
and mark Δ are critical for safety.
Replace only with part number specified.

A (F35430206)
F35430296

REF.NO.	PART NO.	DESCRIPTION			REMARK	REF.NO.	PART NO.	DESCRIPTION			REMARK
R308	1-216-033-00	RES,CHIP	220	5%	1/10W	R429	1-216-031-00	RES,CHIP	180	5%	1/10W
R309	1-216-033-00	RES,CHIP	220	5%	1/10W	R430	1-216-041-00	RES,CHIP	470	5%	1/10W
R310	1-216-097-91	RES,CHIP	100K	5%	1/10W	R431	1-216-081-00	RES,CHIP	22K	5%	1/10W
R311	1-216-075-00	RES,CHIP	12K	5%	1/10W						
R312	1-216-025-91	RES,CHIP	100	5%	1/10W	R432	1-216-041-00	RES,CHIP	470	5%	1/10W
						R433	1-216-081-00	RES,CHIP	22K	5%	1/10W
R313	1-216-053-00	RES,CHIP	1.5K	5%	1/10W	R434	1-216-041-00	RES,CHIP	470	5%	1/10W
R314	1-216-025-91	RES,CHIP	100	5%	1/10W	R435	1-216-041-00	RES,CHIP	470	5%	1/10W
R315	1-216-295-91	SHORT	0			R436	1-216-081-00	RES,CHIP	22K	5%	1/10W
R318	1-216-097-91	RES,CHIP	100K	5%	1/10W						
R319	1-216-123-11	RES,CHIP	1.2M	5%	1/10W	R437	1-216-081-00	RES,CHIP	22K	5%	1/10W
						R440	1-216-029-00	RES,CHIP	150	5%	1/10W
R320	1-216-083-00	RES,CHIP	27K	5%	1/10W	R521	1-216-049-91	RES,CHIP	1K	5%	1/10W
R321	1-216-689-11	METAL CHIP	39K	0.50%	1/10W	R555	1-249-427-11	CARBON	6.8K	5%	1/4W
R322	1-216-083-00	RES,CHIP	27K	5%	1/10W	R556	1-216-049-91	RES,CHIP	1K	5%	1/10W
R324	1-216-133-00	RES,CHIP	3.3M	5%	1/10W						
R325	1-216-295-91	SHORT	0			R557	1-216-055-00	RES,CHIP	1.8K	5%	1/10W
						R560	1-216-295-91	SHORT	0		
R326	1-216-039-00	RES,CHIP	390	5%	1/10W	R561	1-249-421-11	CARBON	2.2K	5%	1/4W
R327	1-216-295-91	SHORT	0			R562	1-249-418-11	CARBON	1.2K	5%	1/4W F
R328	1-216-295-91	SHORT	0			R563	1-260-126-11	CARBON	180K	5%	1/2W
R329	1-216-295-91	SHORT	0								
R330	1-216-043-91	RES,CHIP	560	5%	1/10W	R564	1-216-091-00	RES,CHIP	56K	5%	1/10W
						R565	1-216-091-00	RES,CHIP	56K	5%	1/10W
R331	1-216-117-00	RES,CHIP	680K	5%	1/10W	R566	1-216-065-91	RES,CHIP	4.7K	5%	1/10W
R332	1-216-033-00	RES,CHIP	220	5%	1/10W	R569	1-260-125-11	CARBON	150K	5%	1/2W
R333	1-216-077-00	RES,CHIP	15K	5%	1/10W	R571	1-216-033-00	RES,CHIP	220	5%	1/10W
R335	1-216-073-00	RES,CHIP	10K	5%	1/10W						
R336	1-216-057-00	RES,CHIP	2.2K	5%	1/10W	R605	1-216-396-11	METAL OXIDE	3.9	5%	3W F
						R610	1-215-924-00	METAL OXIDE	15K	5%	3W F
R338	1-216-295-91	SHORT	0			R611	1-202-933-61	FUSIBLE	0.1	10%	1/2W F
R339	1-216-036-00	RES,CHIP	300	5%	1/10W	R613	1-219-134-11	FUSIBLE	0.1	10%	1/4W
R340	1-216-035-00	RES,CHIP	270	5%	1/10W	R614	1-215-877-11	METAL OXIDE	22K	5%	1W F
R341	1-216-049-91	RES,CHIP	1K	5%	1/10W						
R351	1-216-001-00	RES,CHIP	10	5%	1/10W	R615	1-249-389-11	CARBON	4.7	5%	1/4W
						R616 Δ	1-218-265-91	METAL	8.2M	5%	1W
R355	1-216-001-00	RES,CHIP	10	5%	1/10W	R617	1-215-924-00	METAL OXIDE	15K	5%	3W F
R356	1-216-049-91	RES,CHIP	1K	5%	1/10W	R619	1-219-134-11	FUSIBLE	0.1	10%	1/4W
R360	1-208-291-11	RES,CHIP	4.7M	5%	1/10W	R620	1-202-962-11	CEMENTED	3.3	5%	10W
R403	1-216-021-00	RES,CHIP	68	5%	1/10W						
R406	1-216-065-91	RES,CHIP	4.7K	5%	1/10W	R622	1-207-615-00	WIREWOUND	0.33	10%	2W F
						R623	1-247-807-31	CARBON	100	5%	1/4W
R407	1-216-063-91	RES,CHIP	3.9K	5%	1/10W	R624	1-216-446-00	METAL OXIDE	18	5%	2W F
R408	1-216-055-00	RES,CHIP	1.8K	5%	1/10W	R625	1-249-424-11	CARBON	3.9K	5%	1/4W
R409	1-216-025-91	RES,CHIP	100	5%	1/10W	R626	1-249-420-11	CARBON	1.8K	5%	1/4W
R410	1-216-073-00	RES,CHIP	10K	5%	1/10W						
R411	1-216-057-00	RES,CHIP	2.2K	5%	1/10W	R627	1-249-417-11	CARBON	1K	5%	1/4W
						R628	1-249-417-11	CARBON	1K	5%	1/4W
R412	1-216-069-00	RES,CHIP	6.8K	5%	1/10W	R629	1-249-401-11	CARBON	47	5%	1/4W
R413	1-216-057-00	RES,CHIP	2.2K	5%	1/10W	R632	1-249-381-11	CARBON	1	5%	1/4W
R414	1-216-041-00	RES,CHIP	470	5%	1/10W	R636	1-215-924-00	METAL OXIDE	15K	5%	3W F
R415	1-216-033-00	RES,CHIP	220	5%	1/10W						
R416	1-216-033-00	RES,CHIP	220	5%	1/10W	R801	1-215-921-11	METAL OXIDE	4.7K	5%	3W F
						R803	1-216-057-00	RES,CHIP	2.2K	5%	1/10W
R417	1-216-033-00	RES,CHIP	220	5%	1/10W	R804	1-216-049-91	RES,CHIP	1K	5%	1/10W
R418	1-216-045-00	RES,CHIP	680	5%	1/10W	R805	1-216-081-00	RES,CHIP	22K	5%	1/10W
R419	1-216-049-91	RES,CHIP	1K	5%	1/10W	R809	1-247-763-11	CARBON	8.2K	5%	1/2W F
R420	1-216-039-00	RES,CHIP	390	5%	1/10W						
R421	1-216-033-00	RES,CHIP	220	5%	1/10W	R811	1-216-350-11	METAL OXIDE	1.2	5%	1W F
						R816	1-249-437-11	CARBON	47K	5%	1/4W
R422	1-216-027-00	RES,CHIP	120	5%	1/10W	R820	1-216-053-00	RES,CHIP	1.5K	5%	1/10W
R423	1-216-029-00	RES,CHIP	150	5%	1/10W	R821	1-216-475-11	METAL OXIDE	120	5%	3W F
R424	1-216-057-00	RES,CHIP	2.2K	5%	1/10W	R822	1-216-429-00	METAL OXIDE	270	5%	1W F
R425	1-216-039-00	RES,CHIP	390	5%	1/10W						
R426	1-216-029-00	RES,CHIP	150	5%	1/10W	R823	1-215-869-11	METAL OXIDE	1K	5%	1W F
						R824	1-215-889-00	METAL OXIDE	330	5%	2W F
R427	1-216-037-00	RES,CHIP	330	5%	1/10W	R825	1-249-392-11	CARBON	8.2	5%	1/4W F
R428	1-216-081-00	RES,CHIP	22K	5%	1/10W	R829	1-216-651-11	METAL CHIP	1K	0.50%	1/10W
						R831	1-215-887-00	METAL OXIDE	150	5%	2W F

**A (F35430206)
F35430296**

The components identified by shading and mark Δ are critical for safety. Replace only with part number specified.

REF.NO.	PART NO.	DESCRIPTION	REMARK
R834	1-216-065-91	RES,CHIP	4.7K 5% 1/10W
R851	1-249-382-11	CARBON	1.2 5% 1/4W F
R852	1-249-417-11	CARBON	1K 5% 1/4W F
R853	1-249-377-11	CARBON	0.47 5% 1/4W F
R854	1-249-377-11	CARBON	0.47 5% 1/4W F
R855	1-260-107-11	CARBON	4.7K 5% 1/2W
R856	1-249-429-11	CARBON	10K 5% 1/4W
R857	1-249-440-11	CARBON	82K 5% 1/4W
R858	1-216-370-11	METAL OXIDE	1.2 5% 2W F
R860	1-247-887-00	CARBON	220K 5% 1/4W
R883	1-216-696-11	METAL CHIP	75K 0.50% 1/10W
R895	1-216-349-00	METAL OXIDE	1 5% 1W F
R898	1-249-421-11	CARBON	2.2K 5% 1/4W
R902	1-216-065-91	RES,CHIP	4.7K 5% 1/10W
R906	1-216-065-91	RES,CHIP	4.7K 5% 1/10W
R907	1-216-043-91	RES,CHIP	560 5% 1/10W
R908	1-216-059-00	RES,CHIP	2.7K 5% 1/10W
R909	1-216-071-00	RES,CHIP	8.2K 5% 1/10W
R910	1-216-043-91	RES,CHIP	560 5% 1/10W
R911	1-216-059-00	RES,CHIP	2.7K 5% 1/10W
R912	1-216-071-00	RES,CHIP	8.2K 5% 1/10W
R913	1-216-041-00	RES,CHIP	470 5% 1/10W
R914	1-216-041-00	RES,CHIP	470 5% 1/10W
R1201	1-216-023-00	RES,CHIP	82 5% 1/10W
R1202	1-216-049-91	RES,CHIP	1K 5% 1/10W
R1203	1-216-089-91	RES,CHIP	47K 5% 1/10W
R1205	1-216-023-00	RES,CHIP	82 5% 1/10W
R1206	1-216-089-91	RES,CHIP	47K 5% 1/10W
R1211	1-216-021-00	RES,CHIP	68 5% 1/10W
R1212	1-216-049-91	RES,CHIP	1K 5% 1/10W
R1215	1-216-113-00	RES,CHIP	470K 5% 1/10W
R1216	1-216-113-00	RES,CHIP	470K 5% 1/10W
R1218	1-216-041-00	RES,CHIP	470 5% 1/10W
R1219	1-216-073-00	RES,CHIP	10K 5% 1/10W
R1220	1-216-049-91	RES,CHIP	1K 5% 1/10W
R1221	1-216-073-00	RES,CHIP	10K 5% 1/10W
R1227	1-216-689-11	RES,CHIP	39K 5% 1/10W
R1228	1-216-049-91	RES,CHIP	1K 5% 1/10W
R1229	1-216-041-00	RES,CHIP	470 5% 1/10W
R1230	1-216-073-00	RES,CHIP	10K 5% 1/10W
R1231	1-216-049-91	RES,CHIP	1K 5% 1/10W
R1232	1-216-063-91	RES,CHIP	3.9K 5% 1/10W
R1233	1-216-057-00	RES,CHIP	2.2K 5% 1/10W
R1235	1-216-689-11	RES,CHIP	39K 5% 1/10W
R1239	1-249-389-11	CARBON	4.7 5% 1/4W F
R1240	1-216-025-91	RES,CHIP	100 5% 1/10W
R1241	1-216-049-91	RES,CHIP	1K 5% 1/10W
R1243	1-216-025-91	RES,CHIP	100 5% 1/10W
R1245	1-216-037-00	RES,CHIP	330 5% 1/10W
R1246	1-216-037-00	RES,CHIP	330 5% 1/10W
R1247	1-216-041-00	RES,CHIP	470 5% 1/10W
R1248	1-216-051-00	RES,CHIP	1.2K 5% 1/10W
R1249	1-216-041-00	RES,CHIP	470 5% 1/10W
R1250	1-216-119-00	RES,CHIP	820K 5% 1/10W
R1251	1-216-119-00	RES,CHIP	820K 5% 1/10W
R1252	1-216-057-00	RES,CHIP	2.2K 5% 1/10W
R1253	1-216-051-00	RES,CHIP	1.2K 5% 1/10W

REF.NO.	PART NO.	DESCRIPTION	REMARK
R1255	1-216-073-00	RES,CHIP	10K 5% 1/10W
R1513	1-216-073-00	RES,CHIP	10K 5% 1/10W
R1514	1-216-065-91	RES,CHIP	4.7K 5% 1/10W
R1515	1-216-025-91	RES,CHIP	100 5% 1/10W
<SWITCH>			
S601	Δ 1-571-433-31	SWITCH, PUSH (AC POWER)	
S801	1-572-707-11	SWITCH, LEVER	
S901	1-571-532-21	SWITCH, TACTILE	
S902	1-571-532-21	SWITCH, TACTILE	
S903	1-571-532-21	SWITCH, TACTILE	
S904	1-571-532-21	SWITCH, TACTILE	
S905	1-571-532-21	SWITCH, TACTILE	
S906	1-571-532-21	SWITCH, TACTILE	
<SPARK GAP>			
SG801	1-519-422-11	GAP, SPARK	
<SURFACE WAVE FILTER>			
SWF401	1-760-771-11	FILTER, SURFACE WAVE	
<TRANSFORMER>			
T601	Δ 1-429-138-21	TRANSFORMER, CONVERTER (SRT)	
T605	Δ 1-424-682-11	TRANSFORMER, LINE FILTER	
T801	1-437-195-11	TRANSFORMER, HORIZONTAL DRIVE	
T851	Δ 1-453-249-11	TRANSFORMER ASSY, FLYBACK (NX-1733//M3A)	
<THERMISTOR>			
THP601	Δ 1-806-165-12	THERMISTOR (POSITIVE)	
<TUNER>			
TU101	Δ 8-598-323-30	TUNER, VSS BT-AG401	
<CRYSTAL>			
X101	1-577-358-21	VIBRATOR, CERAMIC	
X300	1-411-752-11	COIL	
X358	1-567-505-11	OSCILLATOR, CRYSTAL	
X443	1-567-504-11	OSCILLATOR, CRYSTAL	

A	(F35821706)
	(F35821796)

REF.NO.	PART NO.	DESCRIPTION	REMARK	REF.NO.	PART NO.	DESCRIPTION	REMARK
* A-1298-616-A	A BOARD, COMPLETE (F35821706)	*****		C055	1-124-480-11	ELECT	470MF 20%
* A-1298-617-A	A BOARD, COMPLETE (F35821796)	*****		C056	1-163-009-11	CERAMIC CHIP	0.001MF 10%
* 1-580-798-11	CONNECTOR PIN (DY) 6P			C057	1-163-243-11	CERAMIC CHIP	47PF 5%
* 4-059-707-01	HOLDER, FBT			C058	1-163-117-00	CERAMIC CHIP	100PF 5%
4-382-854-11	SCREW (M3X10), P, SW (+)			C059	1-163-117-00	CERAMIC CHIP	100PF 5%
7-685-648-79	SCREW +BVTP 3X12 TYPE2 IT-3			C060	1-163-009-11	CERAMIC CHIP	0.001MF 10%
	<CAPACITOR>			C061	1-164-505-11	CERAMIC CHIP	2.2MF 16V
C001	1-163-011-11	CERAMIC CHIP	0.0015MF 10%	C064	1-163-009-11	CERAMIC CHIP	0.001MF 10%
C002	1-126-965-11	ELECT	22MF 20%	C072	1-124-480-11	ELECT	470MF 20%
C003	1-163-117-00	CERAMIC CHIP	100PF 5%	C074	1-163-001-11	CERAMIC CHIP	220PF 10%
C004	1-126-961-11	ELECT	2.2MF 20%	C101	1-163-029-11	CERAMIC CHIP	0.0047MF 50V
C006	1-163-009-11	CERAMIC CHIP	0.001MF 10%	C105	1-104-665-11	ELECT	100MF 20%
C007	1-126-959-11	ELECT	0.47MF 20%	C106	1-126-964-11	ELECT	10MF 20%
C008	1-163-117-00	CERAMIC CHIP	100PF 5%	C108	1-126-942-61	ELECT	1000MF 20%
C009	1-163-133-00	CERAMIC CHIP	470PF 5%	C109	1-163-017-00	CERAMIC CHIP	0.0047MF 10%
C010	1-163-037-11	CERAMIC CHIP	0.022MF 10%	C111	1-163-009-11	CERAMIC CHIP	0.001MF 10%
C011	1-126-967-11	ELECT	47MF 20%	C114	1-163-117-00	CERAMIC CHIP	100PF 5%
C012	1-163-117-00	CERAMIC CHIP	100PF 5%	C115	1-163-093-00	CERAMIC CHIP	10PF 5%
C013	1-163-009-11	CERAMIC CHIP	0.001MF 10%	C116	1-136-165-00	FILM	0.1MF 5%
C014	1-163-009-11	CERAMIC CHIP	0.001MF 10%	C117	1-163-117-00	CERAMIC CHIP	100PF 5%
C015	1-101-884-00	CERAMIC	56PF 5%	C118	1-126-965-11	ELECT	22MF 20%
C016	1-101-884-00	CERAMIC	56PF 5%	C119	1-164-232-11	CERAMIC CHIP	0.01MF 10%
C017	1-163-117-00	CERAMIC CHIP	100PF 5%	C120	1-130-493-00	MYLAR	0.068MF 5%
C018	1-163-117-00	CERAMIC CHIP	100PF 5%	C121	1-130-493-00	MYLAR	0.068MF 5%
C019	1-163-009-11	CERAMIC CHIP	0.001MF 10%	C122	1-104-665-11	ELECT	100MF 20%
C020	1-163-009-11	CERAMIC CHIP	0.001MF 10%	C124	1-164-004-11	CERAMIC CHIP	0.1MF 10%
C021	1-163-009-11	CERAMIC CHIP	0.001MF 10%	C125	1-164-004-11	CERAMIC CHIP	0.1MF 10%
C022	1-163-009-11	CERAMIC CHIP	0.001MF 10%	C127	1-164-004-11	CERAMIC CHIP	0.1MF 10%
C023	1-163-009-11	CERAMIC CHIP	0.001MF 10%	C128	1-164-004-11	CERAMIC CHIP	0.1MF 10%
C024	1-163-009-11	CERAMIC CHIP	0.001MF 10%	C234	1-126-964-11	ELECT	10MF 20%
C025	1-163-009-11	CERAMIC CHIP	0.001MF 10%	C235	1-126-967-11	ELECT	47MF 20%
C026	1-163-009-11	CERAMIC CHIP	0.001MF 10%	C236	1-104-666-11	ELECT	220MF 20%
C027	1-163-009-11	CERAMIC CHIP	0.001MF 10%	C237	1-104-665-11	ELECT	100MF 20%
C028	1-163-009-11	CERAMIC CHIP	0.001MF 10%	C238	1-136-167-00	FILM	0.15MF 5%
C029	1-163-009-11	CERAMIC CHIP	0.001MF 10%	C241	1-126-942-61	ELECT	1000MF 20%
C032	1-163-031-11	CERAMIC CHIP	0.01MF 50V	C242	1-164-232-11	CERAMIC CHIP	0.01MF 10%
C034	1-164-004-11	CERAMIC CHIP	0.1MF 10%	C243	1-126-965-11	ELECT	22MF 20%
C035	1-163-009-11	CERAMIC CHIP	0.001MF 10%	C244	1-126-942-61	ELECT	1000MF 20%
C036	1-163-009-11	CERAMIC CHIP	0.001MF 10%	C252	1-126-961-11	ELECT	2.2MF 20%
C037	1-163-117-00	CERAMIC CHIP	100PF 5%	C253	1-104-665-11	ELECT	100MF 20%
C038	1-163-117-00	CERAMIC CHIP	100PF 5%	C255	1-164-232-11	CERAMIC CHIP	0.01MF 10%
C040	1-163-117-00	CERAMIC CHIP	100PF 5%	C258	1-136-167-00	FILM	0.15MF 5%
C042	1-163-117-00	CERAMIC CHIP	100PF 5%	C300	1-126-967-11	ELECT	47MF 20%
C044	1-163-117-00	CERAMIC CHIP	100PF 5%	C301	1-126-964-11	ELECT	10MF 20%
C045	1-163-117-00	CERAMIC CHIP	100PF 5%	C304	1-164-004-11	CERAMIC CHIP	0.1MF 10%
C046	1-163-117-00	CERAMIC CHIP	100PF 5%	C305	1-164-004-11	CERAMIC CHIP	0.1MF 10%
C047	1-163-117-00	CERAMIC CHIP	100PF 5%	C306	1-164-004-11	CERAMIC CHIP	0.1MF 10%
C048	1-164-004-11	CERAMIC CHIP	0.1MF 10%	C307	1-164-004-11	CERAMIC CHIP	0.1MF 10%
C049	1-164-004-11	CERAMIC CHIP	0.1MF 10%	C308	1-164-004-11	CERAMIC CHIP	0.1MF 10%
C050	1-126-960-11	ELECT	1MF 20%	C309	1-164-004-11	CERAMIC CHIP	0.1MF 10%
C051	1-163-117-00	CERAMIC CHIP	100PF 5%	C310	1-164-004-11	CERAMIC CHIP	0.1MF 10%
C052	1-164-004-11	CERAMIC CHIP	0.1MF 10%	C311	1-163-231-11	CERAMIC CHIP	15PF 5%
C053	1-163-009-11	CERAMIC CHIP	0.001MF 10%	C312	1-163-231-11	CERAMIC CHIP	15PF 5%
C054	1-163-009-11	CERAMIC CHIP	0.001MF 10%	C313	1-104-665-11	ELECT	100MF 20%
				C314	1-164-161-11	CERAMIC CHIP	0.0022MF 10%
				C315	1-107-823-11	CERAMIC CHIP	0.47MF 10%
				C316	1-102-125-00	CERAMIC	0.0047MF 10%
				C317	1-164-505-11	CERAMIC CHIP	2.2MF 16V

A (F35821706)
F35821796

The components identified by shading and mark Δ are critical for safety. Replace only with part number specified.

REF.NO.	PART NO.	DESCRIPTION	REMARK	REF.NO.	PART NO.	DESCRIPTION	REMARK
C319	1-164-004-11	CERAMIC CHIP	0.1MF 10% 25V	C422	1-163-129-00	CERAMIC CHIP	330PF 5% 50V
C320	1-164-004-11	CERAMIC CHIP	0.1MF 10% 25V	C423	1-163-129-00	CERAMIC CHIP	330PF 5% 50V
C321	1-164-004-11	CERAMIC CHIP	0.1MF 10% 25V	C424	1-163-133-00	CERAMIC CHIP	470PF 5% 50V
C322	1-216-295-91	SHORT	0	C501	1-102-228-00	CERAMIC	470PF 10% 500V
C323	1-163-235-11	CERAMIC CHIP	22PF 5% 50V	C523	1-104-665-11	ELECT	100MF 20% 16V
C324	1-164-505-11	CERAMIC CHIP	2.2MF 16V	C548	1-106-220-00	MYLAR	0.1MF 10% 100V
C325	1-163-093-00	CERAMIC CHIP	10PF 5% 50V	C551	1-126-968-11	ELECT	100MF 20% 35V
C326	1-163-095-00	CERAMIC CHIP	12PF 5% 50V	C552	1-126-968-11	ELECT	100MF 20% 35V
C327	1-163-093-00	CERAMIC CHIP	10PF 5% 50V	C553	1-163-019-00	CERAMIC CHIP	0.0068MF 10% 50V
C328	1-164-004-11	CERAMIC CHIP	0.1MF 10% 25V	C554	1-102-244-00	CERAMIC	220PF 10% 500V
C329	1-163-016-00	CERAMIC CHIP	0.0039MF 10% 50V	C555	1-101-804-00	CERAMIC	10PF 5% 500V
C330	1-164-004-11	CERAMIC CHIP	0.1MF 10% 25V	C562	1-104-665-11	ELECT	100MF 20% 16V
C331	1-126-964-11	ELECT	10MF 20% 50V	C603	1-161-830-00	CERAMIC	0.0047MF 99% 500V
C332	1-136-165-00	FILM	0.1MF 5% 50V	C604	1-107-414-11	ELECT(BLOCK)	220MF 20% 400V
C333	1-164-004-11	CERAMIC CHIP	0.1MF 10% 25V	C605	1-161-830-00	CERAMIC	0.0047MF 99% 500V
C334	1-164-182-11	CERAMIC CHIP	0.0033MF 10% 50V	C606	1-161-830-00	CERAMIC	0.0047MF 99% 500V
C335	1-102-973-00	CERAMIC	100PF 5% 50V	C607	1-161-830-00	CERAMIC	0.0047MF 99% 500V
C336	1-126-964-11	ELECT	10MF 20% 50V	C608	1-104-332-11	CERAMIC	470PF 10% 2KV
C337	1-104-665-11	ELECT	100MF 20% 16V	C609	1-123-024-21	ELECT	33MF 160V
C338	1-107-823-11	CERAMIC CHIP	0.47MF 10% 16V	C611 Δ	1-117-697-51	CERAMIC	470PF 10% 250V
C339	1-163-121-00	CERAMIC CHIP	150PF 5% 50V	C613	1-102-824-00	CERAMIC	470PF 5% 50V
C340	1-164-232-11	CERAMIC CHIP	0.01MF 10% 50V	C614	1-126-943-11	ELECT	2200MF 20% 25V
C341	1-163-117-00	CERAMIC CHIP	100PF 5% 50V	C616	1-102-228-00	CERAMIC	470PF 10% 500V
C342	1-164-004-11	CERAMIC CHIP	0.1MF 10% 25V	C617	1-104-666-11	ELECT	220MF 20% 25V
C344	1-126-964-11	ELECT	10MF 20% 50V	C618	1-163-005-11	CERAMIC CHIP	470PF 10% 50V
C349	1-126-963-11	ELECT	4.7MF 20% 50V	C619	1-162-116-00	CERAMIC	680PF 10% 2KV
C350	1-126-967-11	ELECT	47MF 20% 16V	C621 Δ	1-104-705-51	FILM	0.1MF 20% 250V
C351	1-164-004-11	CERAMIC CHIP	0.1MF 10% 25V	C622	1-106-383-00	MYLAR	0.047MF 10% 200V
C352	1-164-489-11	CERAMIC CHIP	0.22MF 10% 16V	C623	1-126-934-11	ELECT	220MF 20% 16V
C358	1-164-004-11	CERAMIC CHIP	0.1MF 10% 25V	C624	1-126-942-61	ELECT	1000MF 20% 16V
C359	1-104-665-11	ELECT	100MF 20% 16V	C625	1-102-074-00	CERAMIC	0.001MF 10% 50V
C361	1-163-009-11	CERAMIC CHIP	0.001MF 10% 50V	C627	1-162-116-00	CERAMIC	680PF 10% 2KV
C367	1-164-004-11	CERAMIC CHIP	0.1MF 10% 25V	C628	1-163-133-00	CERAMIC CHIP	470PF 5% 50V
C368	1-164-004-11	CERAMIC CHIP	0.1MF 10% 25V	C630 Δ	1-117-697-51	CERAMIC	470PF 10% 250V
C369	1-164-004-11	CERAMIC CHIP	0.1MF 10% 25V	C631	1-161-830-00	CERAMIC	0.0047MF 99% 500V
C370	1-164-004-11	CERAMIC CHIP	0.1MF 10% 25V	C632 Δ	1-117-697-51	CERAMIC	470PF 10% 250V
C374	1-124-910-11	ELECT	47MF 20% 50V	C633	1-161-754-00	CERAMIC	0.001MF 10% 3KV
C375	1-124-910-11	ELECT	47MF 20% 50V	C634	1-163-005-11	CERAMIC CHIP	470PF 10% 50V
C376	1-107-823-11	CERAMIC CHIP	0.47MF 10% 16V	C801	1-123-024-21	ELECT	33MF 160V
C402	1-164-232-11	CERAMIC CHIP	0.01MF 10% 50V	C802	1-107-364-11	MYLAR	0.01MF 10% 200V
C403	1-126-965-11	ELECT	22MF 20% 50V	C804	1-163-009-11	CERAMIC CHIP	0.001MF 10% 50V
C405	1-163-017-00	CERAMIC CHIP	0.0047MF 10% 50V	C805	1-102-244-00	CERAMIC	220PF 10% 500V
C406	1-163-017-00	CERAMIC CHIP	0.0047MF 10% 50V	C806	1-126-960-11	ELECT	1MF 20% 50V
C407	1-163-017-00	CERAMIC CHIP	0.0047MF 10% 50V	C809	1-162-115-00	CERAMIC	330PF 10% 2KV
C408	1-163-017-00	CERAMIC CHIP	0.0047MF 10% 50V	C810	1-106-365-00	MYLAR	0.0082MF 10% 200V
C409	1-163-109-00	CERAMIC CHIP	47PF 5% 50V	C811	1-101-821-00	CERAMIC	0.0022MF 500V
C410	1-163-103-00	CERAMIC CHIP	27PF 5% 50V	C812	1-136-075-00	FILM	0.008MF 3% 2KV
C411	1-163-113-00	CERAMIC CHIP	68PF 5% 50V	C816	1-107-636-11	ELECT	10MF 20% 160V
C412	1-163-113-00	CERAMIC CHIP	68PF 5% 50V	C820	1-162-116-00	CERAMIC	680PF 10% 2KV
C413	1-104-665-11	ELECT	100MF 20% 16V	C821	1-106-381-12	MYLAR	0.039MF 99% 200V
C414	1-163-117-00	CERAMIC CHIP	100PF 5% 50V	C822	1-136-121-00	FILM	0.27MF 5% 200V
C415	1-163-017-00	CERAMIC CHIP	0.0047MF 10% 50V	C823	1-164-232-11	CERAMIC CHIP	0.01MF 10% 50V
C416	1-163-117-00	CERAMIC CHIP	100PF 5% 50V	C825	1-107-364-11	MYLAR	0.01MF 10% 200V
C417	1-163-117-00	CERAMIC CHIP	100PF 5% 50V	C850	1-124-480-11	ELECT	470MF 20% 25V
C418	1-163-131-00	CERAMIC CHIP	390PF 5% 50V	C852	1-104-574-11	CERAMIC	0.0047MF 10% 2KV
C419	1-163-117-00	CERAMIC CHIP	100PF 5% 50V	C853	1-162-318-11	CERAMIC	0.001MF 10% 500V
C420	1-126-967-11	ELECT	47MF 20% 16V	C854	1-124-480-11	ELECT	470MF 20% 25V
				C856	1-162-318-11	CERAMIC	0.001MF 10% 500V

A (F35821706)
F35821796

REF.NO.	PART NO.	DESCRIPTION	REMARK	REF.NO.	PART NO.	DESCRIPTION	REMARK
C857	1-130-493-00	MYLAR	0.068MF 5%	50V	D103	8-719-914-42	DIODE DA204K
C860	1-102-228-00	CERAMIC	470PF 10%	500V	D201	8-719-041-97	DIODE MA113-(TX)
C861	1-107-654-11	ELECT	33MF 20%	250V	D202	1-216-295-91	SHORT 0
C876	1-107-369-11	MYLAR	0.068MF 10%	100V	D251	8-719-041-97	DIODE MA113-(TX)
C898	1-106-379-12	MYLAR	0.033MF 10%	100V	D252	8-719-914-42	DIODE DA204K
C900	1-163-133-00	CERAMIC CHIP	470PF 5%	50V	D253	8-719-041-97	DIODE MA113-(TX)
C901	1-163-133-00	CERAMIC CHIP	470PF 5%	50V	D300	8-719-041-97	DIODE MA113-(TX)
C1201	1-104-665-11	ELECT	100MF 20%	16V	D301	8-719-041-97	DIODE MA113-(TX)
C1202	1-164-004-11	CERAMIC CHIP	0.1MF 10%	25V	D302	8-719-041-97	DIODE MA113-(TX)
C1204	1-104-665-11	ELECT	100MF 20%	16V	D304	8-719-041-97	DIODE MA113-(TX)
C1205	1-164-004-11	CERAMIC CHIP	0.1MF 10%	25V	D305	8-719-041-97	DIODE MA113-(TX)
C1210	1-104-665-11	ELECT	100MF 20%	16V	D306	8-719-911-19	DIODE 1SS119-25
C1213	1-126-960-11	ELECT	1MF 20%	50V	D307	8-719-911-19	DIODE 1SS119-25
C1214	1-104-665-11	ELECT	100MF 20%	16V	D308	8-719-109-54	DIODE RD2.2ESB2
C1217	1-104-665-11	ELECT	100MF 20%	16V	D310	8-719-041-97	DIODE MA113-(TX)
C1218	1-163-123-00	CERAMIC CHIP	180PF 5%	50V	D311	8-719-109-68	DIODE RD3.6ESB1
C1219	1-104-665-11	ELECT	100MF 20%	16V	D312	8-719-110-08	DIODE RD8.2ESB2
C1221	1-164-005-11	CERAMIC CHIP	0.47MF	25V	D315	8-719-121-24	DIODE RD9.1ESL
C1225	1-164-005-11	CERAMIC CHIP	0.47MF	25V	D351	8-719-908-03	DIODE GP08D
C1226	1-126-934-11	ELECT	220MF 20%	16V	D399	8-719-977-22	DIODE DTZ9.1
C1228	1-164-346-11	CERAMIC CHIP	1MF	16V	D401	8-719-421-40	DIODE MA77
C1229	1-164-005-11	CERAMIC CHIP	0.47MF	25V	D402	8-719-911-19	DIODE 1SS119-25
C1230	1-164-004-11	CERAMIC CHIP	0.1MF 10%	25V	D403	8-719-911-19	DIODE 1SS119-25
C1260	1-163-019-00	CERAMIC CHIP	0.0068MF 10%	50V	D513	8-719-109-84	DIODE RD5.1ESB1
C1513	1-124-122-11	ELECT	100MF 20%	50V	D551	8-719-908-03	DIODE GP08D
		<FILTER>			D561	8-719-911-19	DIODE 1SS119-25
CF45	1-527-943-00	FILTER, CERAMIC			D591	8-719-911-19	DIODE 1SS119-25
CF55	1-567-099-00	FILTER, CERAMIC			D601	8-719-025-88	DIODE GBU4JL-6088
CF60	1-567-100-00	FILTER, CERAMIC			D604	8-719-301-64	DIODE RU4DS
CF65	1-567-101-11	FILTER, CERAMIC			D606	8-719-510-73	DIODE S3L20UF4
		<CONNECTOR>			D607	8-719-510-26	DIODE D1NL20
CN100 *	1-508-784-00	PIN, CONNECTOR (5MM PITCH) 1P			D609	8-719-510-26	DIODE D1NL20
CN101 *	1-560-124-00	PLUG, CONNECTOR (2.5MM) 4P			D610	8-719-510-26	DIODE D1NL20
CN103 *	1-564-509-11	PLUG, CONNECTOR 6P			D611	8-719-510-26	DIODE D1NL20
CN251 *	1-564-506-11	PLUG, CONNECTOR 3P			D801	8-719-945-80	DIODE ERC06-15S
CN601 *	1-580-843-11	PIN, CONNECTOR (POWER)			D851	8-719-302-43	DIODE EL1Z
CN602 *	1-508-786-00	PIN, CONNECTOR (5MM PITCH) 2P			D852	8-719-028-72	DIODE RGP02-17EL-6433
CN851 *	1-508-766-00	PIN, CONNECTOR (5MM PITCH) 4P			D853	8-719-302-43	DIODE EL1Z
		<TRIMMER>			D855	8-719-302-43	DIODE EL1Z
CT45	1-579-690-11	TRAP, CERAMIC			D857	8-719-908-03	DIODE GP08D
CT55	1-404-801-11	TRAP, CERAMIC			D858	8-719-908-03	DIODE GP08D
CT60	1-409-429-11	TRAP, CERAMIC			D860	8-719-911-19	DIODE 1SS119-25
CT65	1-409-327-00	TRAP, CERAMIC (6.5MHZ)			D901	1-810-039-11	LED UNIT
		<DIODE>			D1201	8-719-121-24	DIODE RD9.1ESL
D001	8-719-109-81	DIODE RD4.7ESB2			D1202	8-719-121-24	DIODE RD9.1ESL
D002	8-719-911-19	DIODE 1SS119-25			D1207	8-719-121-24	DIODE RD9.1ESL
D003	8-719-041-97	DIODE MA113-(TX)			D1208	8-719-121-24	DIODE RD9.1ESL
D005	8-719-109-84	DIODE RD5.1ESB1			D1504	8-719-911-19	DIODE 1SS119-25
D008	8-719-109-89	DIODE RD5.6ESB2			D1505	8-719-109-81	DIODE RD4.7ESB2
		<FERRITE BEAD>			FB101	1-410-397-21	FERRITE 1.1UH
					FB102	1-410-397-21	FERRITE 1.1UH
					FB103	1-410-397-21	FERRITE 1.1UH
					FB601	1-410-397-21	FERRITE 1.1UH
					FB603	1-410-397-21	FERRITE 1.1UH

A (F35821706)
F35821796

The components identified by shading and mark Δ are critical for safety. Replace only with part number specified.

REF.NO.	PART NO.	DESCRIPTION	REMARK	REF.NO.	PART NO.	DESCRIPTION	REMARK
FB610	1-410-397-21	FERRITE	1.1UH	L404	1-410-508-11	INDUCTOR	8.2UH
FB612	1-410-397-21	FERRITE	1.1UH	L405	1-410-508-11	INDUCTOR	8.2UH
		<IC>		L406	1-410-507-11	INDUCTOR	6.8UH
IC001	8-752-891-28	IC CXP85220A-058S (F35821706)		L407	1-410-511-11	INDUCTOR	15UH
IC001	8-752-891-61	IC CXP85220A-060S (F35821796)		L408	1-410-500-11	INDUCTOR	1.8UH
IC002	8-759-805-37	IC L78LR05D-MA		L409	1-410-501-11	INDUCTOR	2.2UH
IC003	8-759-370-33	IC ST24C04FB6		L410	1-410-501-11	INDUCTOR	2.2UH
IC004	8-742-041-12	HYB IC SBX1981-11(12)		L411	1-410-502-11	INDUCTOR	2.7UH
IC100	8-759-157-40	IC UPC574J		L802	1-412-527-11	INDUCTOR	15UH
IC203	8-759-339-60	IC TA8248K		L805	1-460-046-11	COIL, HORIZONTAL LINEARITY	
IC300	8-759-365-25	IC TDA8374A		L807	1-459-348-51	COIL, VAR, FERRITE (HWC)	
IC351	8-759-288-85	IC TDA4665T-T		L808	1-412-553-11	INDUCTOR	3.3MMH
IC354	8-759-251-56	IC TDA8395T		L821	1-406-677-11	INDUCTOR	0UH
IC401	8-759-800-65	IC LA7910		L850	1-408-947-00	INDUCTOR	2.2MMH
IC521	8-759-195-63	IC PQ09RE11				<TRANSISTOR>	
IC551	8-759-801-98	IC LA7830		Q030	8-729-120-28	TRANSISTOR 2SC1623-L5L6	
IC601	8-749-014-00	IC STR-S6707N		Q108	8-729-120-28	TRANSISTOR 2SC1623-L5L6	
IC602	8-749-921-89	IC SE115N		Q109	8-729-120-28	TRANSISTOR 2SC1623-L5L6	
IC603 Δ	8-749-010-64	PHOTO COUPLER PC123F2		Q110	8-729-120-28	TRANSISTOR 2SC1623-L5L6	
IC801	8-759-100-96	IC UPC4558G2		Q202	8-729-216-22	TRANSISTOR 2SA1162-G	
IC1210	8-759-100-96	IC UPC4558G2		Q207	8-729-216-22	TRANSISTOR 2SA1162-G	
IC1211	8-759-711-23	IC NJM2234L		Q208	8-729-421-19	TRANSISTOR UN2213	
		<JACK>		Q210	8-729-424-67	TRANSISTOR UN2216	
J251	1-770-785-11	JACK		Q301	8-729-421-22	TRANSISTOR UN2211	
J1201	1-779-849-11	JACK BLOCK, PIN 4P		Q303	8-729-120-28	TRANSISTOR 2SC1623-L5L6	
J1202	1-779-205-11	JACK, PIN 2P		Q402	8-729-922-66	TRANSISTOR 2SC2410SN	
		<CHIP CONDUCTOR>		Q403	8-729-027-56	TRANSISTOR DTC143TKA-T146	
JR050	1-216-295-91	SHORT	0	Q404	8-729-027-56	TRANSISTOR DTC143TKA-T146	
JR052	1-216-295-91	SHORT	0	Q405	8-729-216-22	TRANSISTOR 2SA1162-G	
JR101	1-216-295-91	SHORT	0	Q406	8-729-216-22	TRANSISTOR 2SA1162-G	
JR111	1-216-295-91	SHORT	0	Q407	8-729-216-22	TRANSISTOR 2SA1162-G	
JR112	8-719-041-97	DIODE MA113-(TX)		Q408	8-729-120-28	TRANSISTOR 2SC1623-L5L6	
JR113	1-216-295-91	SHORT	0	Q409	8-729-216-22	TRANSISTOR 2SA1162-G	
JR114	1-208-291-11	RES.CHIP	4.7M 5% 1/10W	Q410	8-729-216-22	TRANSISTOR 2SA1162-G	
JR116	1-216-295-91	SHORT	0	Q411	8-729-120-28	TRANSISTOR 2SC1623-L5L6	
JR117	1-216-295-91	SHORT	0	Q412	8-729-120-28	TRANSISTOR 2SC1623-L5L6	
JR118	1-216-295-91	SHORT	0	Q413	8-729-027-56	TRANSISTOR DTC143TKA-T146	
JR124	1-216-295-91	SHORT	0	Q414	8-729-120-28	TRANSISTOR 2SC1623-L5L6	
JR125	1-216-295-91	SHORT	0	Q415	8-729-027-56	TRANSISTOR DTC143TKA-T146	
JR126	1-216-295-91	SHORT	0	Q416	8-729-120-28	TRANSISTOR 2SC1623-L5L6	
JR251	1-216-295-91	SHORT	0	Q417	8-729-027-56	TRANSISTOR DTC143TKA-T146	
		<COIL>		Q418	8-729-027-56	TRANSISTOR DTC143TKA-T146	
L001	1-408-397-00	INDUCTOR	1UH	Q561	8-729-200-17	TRANSISTOR 2SA1091-O	
L002	1-410-509-11	INDUCTOR	10UH	Q801	8-729-140-50	TRANSISTOR 2SC3209LK	
L003	1-408-605-31	INDUCTOR	15UH	Q802	8-729-810-49	TRANSISTOR 2SD1877S-SONY-CA	
L101	1-410-470-11	INDUCTOR	10UH	Q902	8-729-421-19	TRANSISTOR UN2213	
L301	1-408-602-31	INDUCTOR	8.2UH	Q903	8-729-421-19	TRANSISTOR UN2213	
L401	1-410-498-11	INDUCTOR	1.2UH	Q1201	8-729-120-28	TRANSISTOR 2SC1623-L5L6	
L402	1-410-510-11	INDUCTOR	12UH	Q1202	8-729-120-28	TRANSISTOR 2SC1623-L5L6	
L403	1-410-510-11	INDUCTOR	12UH	Q1203	8-729-120-28	TRANSISTOR 2SC1623-L5L6	
				Q1204	8-729-216-22	TRANSISTOR 2SA1162-G	
				Q1207	8-729-120-28	TRANSISTOR 2SC1623-L5L6	
				Q1208	8-729-120-28	TRANSISTOR 2SC1623-L5L6	
				Q1209	8-729-120-28	TRANSISTOR 2SC1623-L5L6	
				Q1265	8-729-027-56	TRANSISTOR DTC143TKA-T146	

A	(F35821706)
	(F35821796)

REF.NO.	PART NO.	DESCRIPTION	REMARK	REF.NO.	PART NO.	DESCRIPTION	REMARK
Q1513	8-729-120-28	TRANSISTOR 2SC1623-L5L6		R115	1-216-081-00	RES,CHIP 22K	5% 1/10W
		<RESISTOR>		R116	1-216-081-00	RES,CHIP 22K	5% 1/10W
R65	1-216-033-00	RES,CHIP 220	5% 1/10W	R117	1-216-081-00	RES,CHIP 22K	5% 1/10W
R001	1-216-065-91	RES,CHIP 4.7K	5% 1/10W	R118	1-216-081-00	RES,CHIP 22K	5% 1/10W
R002	1-216-065-91	RES,CHIP 4.7K	5% 1/10W	R119	1-216-055-00	RES,CHIP 1.8K	5% 1/10W
R003	1-216-065-91	RES,CHIP 4.7K	5% 1/10W	R120	1-216-109-00	RES,CHIP 330K	5% 1/10W
R004	1-216-065-91	RES,CHIP 4.7K	5% 1/10W	R131	1-216-464-11	METAL OXIDE 18K	5% 2W F
R007	1-216-073-00	RES,CHIP 10K	5% 1/10W	R180	1-216-033-00	RES,CHIP 220	5% 1/10W
R008	1-216-057-00	RES,CHIP 2.2K	5% 1/10W	R181	1-216-033-00	RES,CHIP 220	5% 1/10W
R009	1-216-049-91	RES,CHIP 1K	5% 1/10W	R182	1-216-033-00	RES,CHIP 220	5% 1/10W
R010	1-216-049-91	RES,CHIP 1K	5% 1/10W	R240	1-216-043-91	RES,CHIP 560	5% 1/10W
R012	1-216-017-91	RES,CHIP 47	5% 1/10W	R241	1-164-004-11	CERAMIC CHIP 0.1MF	10% 25V
R013	1-216-049-91	RES,CHIP 1K	5% 1/10W	R242	1-216-037-00	RES,CHIP 330	5% 1/10W
R014	1-216-049-91	RES,CHIP 1K	5% 1/10W	R243	1-216-073-00	RES,CHIP 10K	5% 1/10W
R015	1-216-049-91	RES,CHIP 1K	5% 1/10W	R244	1-216-073-00	RES,CHIP 10K	5% 1/10W
R016	1-216-049-91	RES,CHIP 1K	5% 1/10W	R245	1-216-067-00	RES,CHIP 5.6K	5% 1/10W
R017	1-216-057-00	RES,CHIP 2.2K	5% 1/10W	R248	1-216-071-00	RES,CHIP 8.2K	5% 1/10W
R018	1-216-033-00	RES,CHIP 220	5% 1/10W	R250	1-216-071-00	RES,CHIP 8.2K	5% 1/10W
R019	1-216-101-00	RES,CHIP 150K	5% 1/10W	R251	1-216-049-91	RES,CHIP 1K	5% 1/10W
R021	1-216-065-91	RES,CHIP 4.7K	5% 1/10W	R252	1-247-815-91	CARBON 220	5% 1/4W
R022	1-216-295-91	SHORT 0		R253	1-216-073-00	RES,CHIP 10K	5% 1/10W
R025	1-216-295-91	SHORT 0		R254	1-249-389-11	CARBON 4.7	5% 1/4W
R026	1-216-057-00	RES,CHIP 2.2K	5% 1/10W	R257	8-719-041-97	DIODE MA113-(TX)	
R027	1-216-065-91	RES,CHIP 4.7K	5% 1/10W	R265	1-216-061-00	RES,CHIP 3.3K	5% 1/10W
R028	1-216-025-91	RES,CHIP 100	5% 1/10W	R266	1-216-073-00	RES,CHIP 10K	5% 1/10W
R029	1-216-065-91	RES,CHIP 4.7K	5% 1/10W	R301	1-216-073-00	RES,CHIP 10K	5% 1/10W
R031	1-216-049-91	RES,CHIP 1K	5% 1/10W	R302	1-216-063-91	RES,CHIP 3.9K	5% 1/10W
R033	1-216-049-91	RES,CHIP 1K	5% 1/10W	R303	1-216-025-91	RES,CHIP 100	5% 1/10W
R035	1-216-049-91	RES,CHIP 1K	5% 1/10W	R304	1-216-025-91	RES,CHIP 100	5% 1/10W
R036	1-216-049-91	RES,CHIP 1K	5% 1/10W	R305	1-216-033-00	RES,CHIP 220	5% 1/10W
R038	1-216-033-00	RES,CHIP 220	5% 1/10W	R306	1-216-033-00	RES,CHIP 220	5% 1/10W
R040	1-216-033-00	RES,CHIP 220	5% 1/10W	R307	1-216-033-00	RES,CHIP 220	5% 1/10W
R041	1-216-025-91	RES,CHIP 100	5% 1/10W	R308	1-216-033-00	RES,CHIP 220	5% 1/10W
R042	1-216-039-00	RES,CHIP 390	5% 1/10W	R309	1-216-033-00	RES,CHIP 220	5% 1/10W
R045	1-216-057-00	RES,CHIP 2.2K	5% 1/10W	R310	1-216-097-91	RES,CHIP 100K	5% 1/10W
R047	1-216-025-91	RES,CHIP 100	5% 1/10W	R311	1-216-075-00	RES,CHIP 12K	5% 1/10W
R048	1-216-025-91	RES,CHIP 100	5% 1/10W	R312	1-216-025-91	RES,CHIP 100	5% 1/10W
R053	1-216-295-91	SHORT 0		R313	1-216-053-00	RES,CHIP 1.5K	5% 1/10W
R054	1-216-073-00	RES,CHIP 10K	5% 1/10W	R314	1-216-025-91	RES,CHIP 100	5% 1/10W
R057	1-216-049-91	RES,CHIP 1K	5% 1/10W	R315	1-216-295-91	SHORT 0	
R060	1-216-037-00	RES,CHIP 330	5% 1/10W	R318	1-216-097-91	RES,CHIP 100K	5% 1/10W
R061	1-216-049-91	RES,CHIP 1K	5% 1/10W	R319	1-216-123-11	RES,CHIP 1.2M	5% 1/10W
R062	1-216-057-00	RES,CHIP 2.2K	5% 1/10W	R320	1-216-083-00	RES,CHIP 27K	5% 1/10W
R063	1-216-057-00	RES,CHIP 2.2K	5% 1/10W	R321	1-216-689-11	METAL CHIP 39K	0.50% 1/10W
R066	1-216-033-00	RES,CHIP 220	5% 1/10W	R322	1-216-083-00	RES,CHIP 27K	5% 1/10W
R068	1-216-025-91	RES,CHIP 100	5% 1/10W	R324	1-216-133-00	RES,CHIP 3.3M	5% 1/10W
R071	1-216-037-00	RES,CHIP 330	5% 1/10W	R325	1-216-295-91	SHORT 0	
R072	1-216-061-00	RES,CHIP 3.3K	5% 1/10W	R326	1-216-039-00	RES,CHIP 390	5% 1/10W
R076	1-216-025-91	RES,CHIP 100	5% 1/10W	R327	1-216-295-91	SHORT 0	
R077	1-216-025-91	RES,CHIP 100	5% 1/10W	R328	1-216-295-91	SHORT 0	
R090	1-216-073-00	RES,CHIP 10K	5% 1/10W	R329	1-216-295-91	SHORT 0	
R101	1-216-065-91	RES,CHIP 4.7K	5% 1/10W	R330	1-216-043-91	RES,CHIP 560	5% 1/10W
R102	1-216-049-91	RES,CHIP 1K	5% 1/10W	R331	1-216-117-00	RES,CHIP 680K	5% 1/10W
R113	1-216-081-00	RES,CHIP 22K	5% 1/10W	R332	1-216-033-00	RES,CHIP 220	5% 1/10W
R114	1-216-041-00	RES,CHIP 470	5% 1/10W	R333	1-216-077-00	RES,CHIP 15K	5% 1/10W
				R335	1-216-073-00	RES,CHIP 10K	5% 1/10W
				R336	1-216-057-00	RES,CHIP 2.2K	5% 1/10W

A (F35821706)
F35821796

The components identified by shading and mark Δ are critical for safety. Replace only with part number specified.

REF.NO.	PART NO.	DESCRIPTION	REMARK	REF.NO.	PART NO.	DESCRIPTION	REMARK
R338	1-216-295-91	SHORT	0	R613	1-219-134-11	FUSIBLE	0.1 10% 1/4W
R339	1-216-036-00	RES,CHIP	300 5%	R614	1-215-877-11	METAL OXIDE	22K 5% 1W F
R340	1-216-035-00	RES,CHIP	270 5%	R615	1-249-389-11	CARBON	4.7 5% 1/4W
R341	1-216-049-91	RES,CHIP	1K 5%	R616 Δ	1-218-265-91	METAL	8.2M 5% 1W
R351	1-216-001-00	RES,CHIP	10 5%	R617	1-215-924-00	METAL OXIDE	15K 5% 3W F
R355	1-216-001-00	RES,CHIP	10 5%	R619	1-219-134-11	FUSIBLE	0.1 10% 1/4W
R356	1-216-049-91	RES,CHIP	1K 5%	R620	1-202-962-11	CEMENTED	3.3 5% 10W
R360	1-208-291-11	RES,CHIP	4.7M 5%	R622	1-207-615-00	WIREWOUND	0.33 10% 2W F
R403	1-216-021-00	RES,CHIP	68 5%	R623	1-247-807-31	CARBON	100 5% 1/4W
R406	1-216-065-91	RES,CHIP	4.7K 5%	R624	1-216-446-00	METAL OXIDE	18 5% 2W F
R407	1-216-063-91	RES,CHIP	3.9K 5%	R625	1-249-424-11	CARBON	3.9K 5% 1/4W
R408	1-216-055-00	RES,CHIP	1.8K 5%	R626	1-249-420-11	CARBON	1.8K 5% 1/4W
R409	1-216-025-91	RES,CHIP	100 5%	R627	1-249-417-11	CARBON	1K 5% 1/4W
R410	1-216-073-00	RES,CHIP	10K 5%	R628	1-249-417-11	CARBON	1K 5% 1/4W
R411	1-216-057-00	RES,CHIP	2.2K 5%	R629	1-249-401-11	CARBON	47 5% 1/4W
R412	1-216-069-00	RES,CHIP	6.8K 5%	R632	1-249-381-11	CARBON	1 5% 1/4W
R413	1-216-057-00	RES,CHIP	2.2K 5%	R636	1-215-924-00	METAL OXIDE	15K 5% 3W F
R414	1-216-041-00	RES,CHIP	470 5%	R801	1-215-921-11	METAL OXIDE	4.7K 5% 3W F
R415	1-216-033-00	RES,CHIP	220 5%	R803	1-216-057-00	RES,CHIP	2.2K 5% 1/10W
R416	1-216-033-00	RES,CHIP	220 5%	R804	1-216-049-91	RES,CHIP	1K 5% 1/10W
R417	1-216-033-00	RES,CHIP	220 5%	R805	1-216-081-00	RES,CHIP	22K 5% 1/10W
R418	1-216-045-00	RES,CHIP	680 5%	R809	1-247-763-11	CARBON	8.2K 5% 1/2W F
R419	1-216-049-91	RES,CHIP	1K 5%	R811	1-216-350-11	METAL OXIDE	1.2 5% 1W F
R420	1-216-039-00	RES,CHIP	390 5%	R816	1-249-437-11	CARBON	47K 5% 1/4W
R421	1-216-033-00	RES,CHIP	220 5%	R820	1-216-053-00	RES,CHIP	1.5K 5% 1/10W
R422	1-216-027-00	RES,CHIP	120 5%	R821	1-216-475-11	METAL OXIDE	120 5% 3W F
R423	1-216-029-00	RES,CHIP	150 5%	R822	1-216-429-00	METAL OXIDE	270 5% 1W F
R424	1-216-057-00	RES,CHIP	2.2K 5%	R823	1-215-869-11	METAL OXIDE	1K 5% 1W F
R425	1-216-039-00	RES,CHIP	390 5%	R824	1-215-889-00	METAL OXIDE	330 5% 2W F
R426	1-216-029-00	RES,CHIP	150 5%	R825	1-249-392-11	CARBON	8.2 5% 1/4W F
R427	1-216-037-00	RES,CHIP	330 5%	R829	1-216-651-11	METAL CHIP	1K 0.50% 1/10W
R428	1-216-081-00	RES,CHIP	22K 5%	R831	1-215-887-00	METAL OXIDE	150 5% 2W F
R429	1-216-031-00	RES,CHIP	180 5%	R834	1-216-065-91	RES,CHIP	4.7K 5% 1/10W
R430	1-216-041-00	RES,CHIP	470 5%	R851	1-249-382-11	CARBON	1.2 5% 1/4W F
R431	1-216-081-00	RES,CHIP	22K 5%	R852	1-249-417-11	CARBON	1K 5% 1/4W F
R432	1-216-041-00	RES,CHIP	470 5%	R853	1-249-377-11	CARBON	0.47 5% 1/4W F
R433	1-216-081-00	RES,CHIP	22K 5%	R854	1-249-377-11	CARBON	0.47 5% 1/4W F
R434	1-216-041-00	RES,CHIP	470 5%	R855	1-260-107-11	CARBON	4.7K 5% 1/2W
R435	1-216-041-00	RES,CHIP	470 5%	R856	1-249-429-11	CARBON	10K 5% 1/4W
R436	1-216-081-00	RES,CHIP	22K 5%	R857	1-249-440-11	CARBON	82K 5% 1/4W
R437	1-216-081-00	RES,CHIP	22K 5%	R858	1-216-370-11	METAL OXIDE	1.2 5% 2W F
R440	1-216-029-00	RES,CHIP	150 5%	R860	1-247-887-00	CARBON	220K 5% 1/4W
R521	1-216-049-91	RES,CHIP	1K 5%	R883	1-216-696-11	METAL CHIP	75K 0.50% 1/10W
R555	1-249-427-11	CARBON	6.8K 5%	R895	1-216-349-00	METAL OXIDE	1 5% 1W F
R556	1-216-049-91	RES,CHIP	1K 5%	R898	1-249-421-11	CARBON	2.2K 5% 1/4W
R557	1-216-055-00	RES,CHIP	1.8K 5%	R902	1-216-065-91	RES,CHIP	4.7K 5% 1/10W
R560	1-216-295-91	SHORT	0	R906	1-216-065-91	RES,CHIP	4.7K 5% 1/10W
R561	1-249-421-11	CARBON	2.2K 5%	R907	1-216-043-91	RES,CHIP	560 5% 1/10W
R562	1-249-418-11	CARBON	1.2K 5%	R908	1-216-059-00	RES,CHIP	2.7K 5% 1/10W
R563	1-260-126-11	CARBON	180K 5%	R909	1-216-071-00	RES,CHIP	8.2K 5% 1/10W
R564	1-216-091-00	RES,CHIP	56K 5%	R910	1-216-043-91	RES,CHIP	560 5% 1/10W
R565	1-216-091-00	RES,CHIP	56K 5%	R911	1-216-059-00	RES,CHIP	2.7K 5% 1/10W
R566	1-216-065-91	RES,CHIP	4.7K 5%	R912	1-216-071-00	RES,CHIP	8.2K 5% 1/10W
R569	1-260-125-11	CARBON	150K 5%	R913	1-216-041-00	RES,CHIP	470 5% 1/10W
R571	1-216-033-00	RES,CHIP	220 5%	R914	1-216-041-00	RES,CHIP	470 5% 1/10W
R605	1-216-396-11	METAL OXIDE	3.9 5%	R1201	1-216-023-00	RES,CHIP	82 5% 1/10W
R610	1-215-924-00	METAL OXIDE	15K 5%	R1202	1-216-049-91	RES,CHIP	1K 5% 1/10W
R611	1-202-933-61	FUSIBLE	0.1 10%				

The components identified by shading
and mark Δ are critical for safety.
Replace only with part number specified.

A (F35821706)
F35821796 **C**

REF.NO.	PART NO.	DESCRIPTION	REMARK
R1203	1-216-089-91	RES,CHIP	47K 5% 1/10W
R1205	1-216-023-00	RES,CHIP	82 5% 1/10W
R1206	1-216-089-91	RES,CHIP	47K 5% 1/10W
R1211	1-216-021-00	RES,CHIP	68 5% 1/10W
R1212	1-216-049-91	RES,CHIP	1K 5% 1/10W
R1215	1-216-113-00	RES,CHIP	470K 5% 1/10W
R1216	1-216-113-00	RES,CHIP	470K 5% 1/10W
R1218	1-216-041-00	RES,CHIP	470 5% 1/10W
R1219	1-216-073-00	RES,CHIP	10K 5% 1/10W
R1220	1-216-049-91	RES,CHIP	1K 5% 1/10W
R1221	1-216-073-00	RES,CHIP	10K 5% 1/10W
R1227	1-216-689-11	RES,CHIP	39K 5% 1/10W
R1228	1-216-049-91	RES,CHIP	1K 5% 1/10W
R1229	1-216-041-00	RES,CHIP	470 5% 1/10W
R1230	1-216-073-00	RES,CHIP	10K 5% 1/10W
R1231	1-216-049-91	RES,CHIP	1K 5% 1/10W
R1232	1-216-063-91	RES,CHIP	3.9K 5% 1/10W
R1233	1-216-057-00	RES,CHIP	2.2K 5% 1/10W
R1235	1-216-689-11	RES,CHIP	39K 5% 1/10W
R1239	1-249-389-11	CARBON	4.7 5% 1/4W F
R1240	1-216-025-91	RES,CHIP	100 5% 1/10W
R1241	1-216-049-91	RES,CHIP	1K 5% 1/10W
R1243	1-216-025-91	RES,CHIP	100 5% 1/10W
R1245	1-216-037-00	RES,CHIP	330 5% 1/10W
R1246	1-216-037-00	RES,CHIP	330 5% 1/10W
R1247	1-216-041-00	RES,CHIP	470 5% 1/10W
R1248	1-216-051-00	RES,CHIP	1.2K 5% 1/10W
R1249	1-216-041-00	RES,CHIP	470 5% 1/10W
R1250	1-216-119-00	RES,CHIP	820K 5% 1/10W
R1251	1-216-119-00	RES,CHIP	820K 5% 1/10W
R1252	1-216-057-00	RES,CHIP	2.2K 5% 1/10W
R1253	1-216-051-00	RES,CHIP	1.2K 5% 1/10W
R1255	1-216-073-00	RES,CHIP	10K 5% 1/10W
R1513	1-216-073-00	RES,CHIP	10K 5% 1/10W
R1514	1-216-065-91	RES,CHIP	4.7K 5% 1/10W
R1515	1-216-025-91	RES,CHIP	100 5% 1/10W
<SWITCH>			
S601	Δ 1-571-433-31	SWITCH, PUSH (AC POWER)	
S801	1-572-707-11	SWITCH, LEVER	
S901	1-692-431-21	SWITCH, TACTILE	
S902	1-692-431-21	SWITCH, TACTILE	
S903	1-692-431-21	SWITCH, TACTILE	
S904	1-692-431-21	SWITCH, TACTILE	
S905	1-692-431-21	SWITCH, TACTILE	
S906	1-692-431-21	SWITCH, TACTILE	
<SPARK GAP>			
SG801	1-519-422-11	GAP, SPARK	
<SURFACE WAVE FILTER>			
SWF401	1-760-771-11	FILTER, SURFACE WAVE	

REF.NO.	PART NO.	DESCRIPTION	REMARK
<TRANSFORMER>			
T601	Δ 1-429-138-21	TRANSFORMER, CONVERTER (SRT)	
T605	Δ 1-424-682-11	TRANSFORMER, LINE FILTER	
T801	1-437-195-11	TRANSFORMER, HORIZONTAL DRIVE	
T851	Δ 1-453-249-11	TRANSFORMER ASSY, FLYBACK (NX-1733/M3A)	
<THERMISTOR>			
THP601	Δ 1-806-165-12	THERMISTOR (POSITIVE)	
<TUNER>			
TU101	Δ 8-598-323-30	TUNER, VSS BT-AG401	
<CRYSTAL>			
X101	1-577-358-21	VIBRATOR, CERAMIC	
X300	1-411-752-11	COIL	
X358	1-567-505-11	OSCILLATOR, CRYSTAL	
X443	1-567-504-11	OSCILLATOR, CRYSTAL	

	* A-1331-687-A	C BOARD, COMPLETE (F35430206/F35430296)	

	* A-1331-704-A	C BOARD, COMPLETE (F35821706/F35821796)	

<CAPACITOR>			
C702	1-136-601-11	FILM	0.01MF 10% 630V
C704	1-107-651-11	ELECT	4.7MF 20% 250V
C705	1-102-116-00	CERAMIC	680PF 10% 50V
C706	1-102-116-00	CERAMIC	680PF 10% 50V
C707	1-102-117-00	CERAMIC	820PF 10% 50V
C708	1-102-116-00	CERAMIC	680PF 10% 50V
C712	1-102-114-00	CERAMIC	470PF 10% 50V
C713	1-102-115-00	CERAMIC	560PF 10% 50V
C716	1-102-106-00	CERAMIC	100PF 10% 50V
<CONNECTOR>			
CN701	1-695-915-11	TAB (CONTACT)	
CN703	* 1-564-509-11	PLUG, CONNECTOR 6P	
CN704	* 1-508-766-00	PIN, CONNECTOR (5MM PITCH) 4P	
<DIODE>			
D701	8-719-991-33	DIODE 1SS133T-77	
D702	8-719-991-33	DIODE 1SS133T-77	
D703	8-719-991-33	DIODE 1SS133T-77	
D705	1-102-106-00	CERAMIC	100PF 10% 50V
D712	8-719-991-33	DIODE 1SS133T-77	
D713	8-719-991-33	DIODE 1SS133T-77	
D714	8-719-991-33	DIODE 1SS133T-77	



The components identified by shading and mark Δ are critical for safety. Replace only with part number specified.

REF.NO.	PART NO.	DESCRIPTION	REMARK
		<JACK>	
J701	Δ 1-251-192-11	SOCKET, CRT	
		<TRANSISTOR>	
Q701	8-729-200-17	TRANSISTOR 2SA1091-O	
Q702	8-729-200-17	TRANSISTOR 2SA1091-O	
Q703	8-729-200-17	TRANSISTOR 2SA1091-O	
Q704	8-729-326-11	TRANSISTOR 2SC2611	
Q705	8-729-326-11	TRANSISTOR 2SC2611	
Q706	8-729-326-11	TRANSISTOR 2SC2611	
		<RESISTOR>	
R701	1-260-133-11	CARBON	680K 5% 1/2W
R702	1-260-123-11	CARBON	100K 5% 1/2W
R703	1-260-135-11	CARBON	1M 5% 1/2W
R705	1-260-079-11	CARBON	22 5% 1/2W
R706	1-260-105-11	CARBON	3.3K 5% 1/2W
R707	1-260-105-11	CARBON	3.3K 5% 1/2W
R708	1-260-105-11	CARBON	3.3K 5% 1/2W
R709	1-215-899-11	METAL OXIDE	15K 5% 2W F
R711	1-215-899-11	METAL OXIDE	15K 5% 2W F
R713	1-215-899-11	METAL OXIDE	15K 5% 2W F
R714	1-247-807-31	CARBON	100 5% 1/4W
R717	1-215-409-00	METAL	330 1% 1/4W
R718	1-249-409-11	CARBON	220 5% 1/4W F
R719	1-247-807-31	CARBON	100 5% 1/4W
R720	1-216-346-00	METAL OXIDE	0.56 5% 1W F
R722	1-215-411-00	METAL	390 1% 1/4W
R725	1-249-409-11	CARBON	220 5% 1/4W F
R726	1-215-479-00	METAL	270K 1% 1/4W
R727	1-215-487-00	METAL	560K 1% 1/4W
R728	1-215-479-00	METAL	270K 1% 1/4W
R730	1-247-807-31	CARBON	100 5% 1/4W
R731	1-249-409-11	CARBON	220 5% 1/4W F
R732	1-215-411-00	METAL	390 1% 1/4W
R733	1-247-791-91	CARBON	22 5% 1/4W
R734	1-247-791-91	CARBON	22 5% 1/4W
R735	1-247-791-91	CARBON	22 5% 1/4W
R749	1-249-424-11	CARBON	3.9K 5% 1/4W
R750	1-249-424-11	CARBON	3.9K 5% 1/4W
R751	1-249-424-11	CARBON	3.9K 5% 1/4W
		<VARIABLE RESISTOR>	
RV701	1-230-641-11	RES, ADJ, METAL GLAZE 2.2M	
RV703	1-230-641-11	RES, ADJ, METAL GLAZE 2.2M	

REF.NO.	PART NO.	DESCRIPTION	REMARK
	* A-1241-204-A	F1 BOARD, COMPLETE (F35430206/F35430296)	*****
	* A-1241-210-A	F1 BOARD, COMPLETE (F35821706/F35821796)	*****
	1-533-223-11	CLIP, FUSE	
		<CAPACITOR>	
C1601	Δ 1-104-705-51	FILM	0.1MF 20% 250V
		<CONNECTOR>	
CN1601*	1-580-843-11	PIN, CONNECTOR (POWER)	
CN1602*	1-580-843-11	PIN, CONNECTOR (POWER)	
		<FUSE>	
F1601	Δ 1-532-237-11	FUSE, TIME-LAG (BET) 3.15A/250V	
		<RESISTOR>	
R1601	Δ 1-202-916-91	SOLID	5.6M 20% 1/2W
		<TRANSFORMER>	
T1601	Δ 1-424-391-11	TRANSFORMER, LINE FILTER	
T1602	Δ 1-424-391-11	TRANSFORMER, LINE FILTER	
		MISCELLANEOUS (FOR F35430206/F35430296)	*****
	1-417-151-21	MATCHING TRANSFORMER, ANTENNA	
	Δ 1-426-145-21	COIL, DEGAUSSING	
	1-452-032-00	MAGNET, DISC	
	1-452-277-00	MAGNET, BMC	
	1-501-372-81	ANTENNA, TELESCOPIC	
	1-505-547-11	SPEAKER (5X9CM)	
	Δ 1-569-008-11	ADAPTOR, CONVERSION 2P (F35430206)	
	Δ 1-574-062-11	CORD, POWER (WITH CONNECTOR) 2.5A/250V	
	Δ 8-451-418-21	DEFLECTION YOKE (Y14NDA2)	
	Δ 8-735-562-05	PICTURE TUBE (A34JBU70X)	
		MISCELLANEOUS (FOR F35821706/F35821796)	*****
	1-417-151-21	MATCHING TRANSFORMER, ANTENNA	
	Δ 1-426-145-21	COIL, DEMAGNETIZATION	
	1-452-032-00	MAGNET, DISC	
	1-452-277-00	MAGNET, BMC	
	1-501-372-81	ANTENNA, TELESCOPIC	
	1-505-547-11	SPEAKER (5X9CM)	
	Δ 1-574-062-11	CORD, POWER (WITH CONNECTOR) 2.5A/250V	

The components identified by shading
and mark Δ are critical for safety.
Replace only with part number specified.

REF.NO.	PART NO.	DESCRIPTION	REMARK
	Δ 8-451-418-51	DEFLECTION YOKE (Y14NDA2-I)	
	Δ 8-735-562-05	PICTURE TUBE (A34JBU70X)	

ACCESSORIES AND PACKING MATERIALS
(FOR F35430206/F35430296)

1-417-151-21 MATCHING TRANSFORMER, ANTENNA

1-501-372-81 ANTENNA, TELESCOPIC

Δ 1-569-008-11 ADAPTOR, CONVERSION 2P (F35430206)

3-862-849-21 MANUAL, INSTRUCTION

* 4-060-230-01 INDIVIDUAL CARTON

* 4-060-323-01 CUSHION (UPPER) (ASSY)

* 4-060-324-01 CUSHION (LOWER) (ASSY)

* 4-377-015-01 BAG, PROTECTION

REF.NO.	PART NO.	DESCRIPTION	REMARK
---------	----------	-------------	--------

ACCESSORIES AND PACKING MATERIALS
(FOR F35821706/F35821796)

1-417-151-21 MATCHING TRANSFORMER, ANTENNA

1-501-372-81 ANTENNA, TELESCOPIC

3-862-849-21 MANUAL, INSTRUCTION

* 4-058-239-01 BAG, PROTECTION

* 4-059-946-01 INDIVIDUAL CARTON

* 4-059-947-01 CUSHION (UPPER) (ASSY)

* 4-059-948-01 CUSHION (LOWER) (ASSY)

REMOTE COMMANDER

1-475-358-11 REMOTE COMMANDER (RM-869)

9-939-697-01 BATTERY COVER, REMOTE COMMANDER

