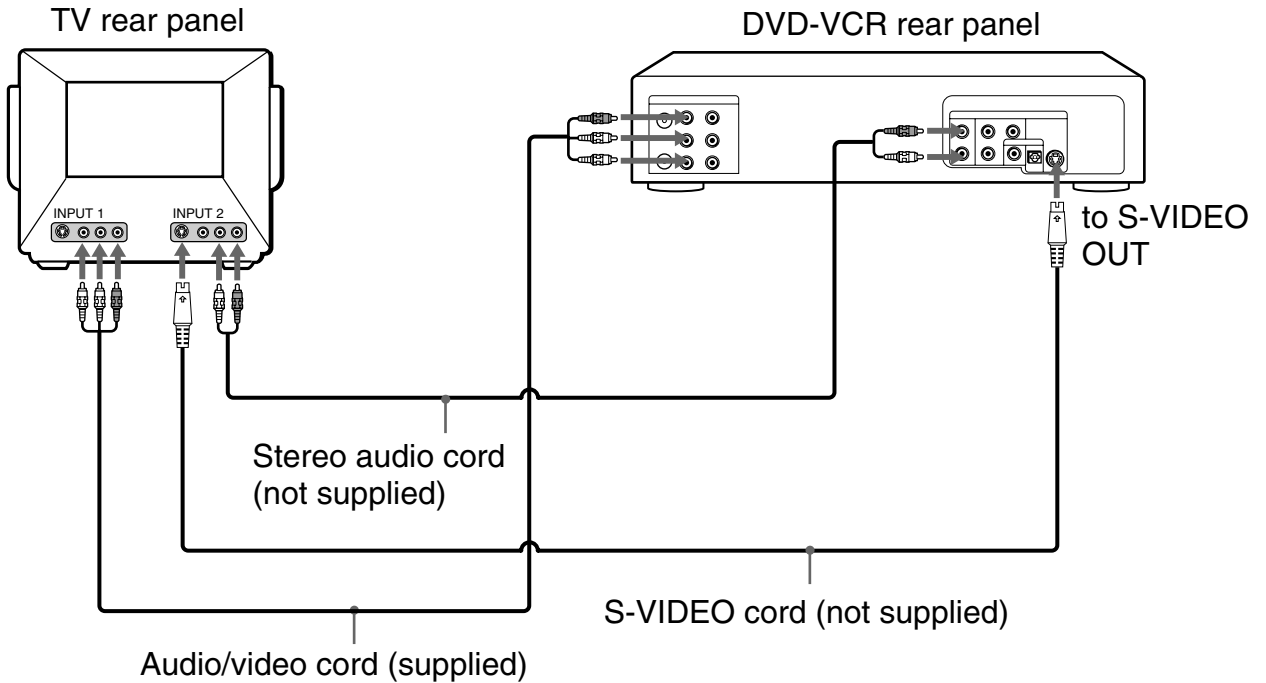


**Note on making connections**

Do not connect both the DVD&VCR outputs (LINE OUT VIDEO/AUDIO L/R) and S-video output (S-VIDEO OUT) to the same TV input.

You can enjoy higher quality DVD images by connecting the S-video output (S-VIDEO OUT) and the audio output for DVDs (LINE OUT AUDIO L/R) to a different set of TV inputs such as LINE 2 on your TV.

**CORRECT**



**INCORRECT**

