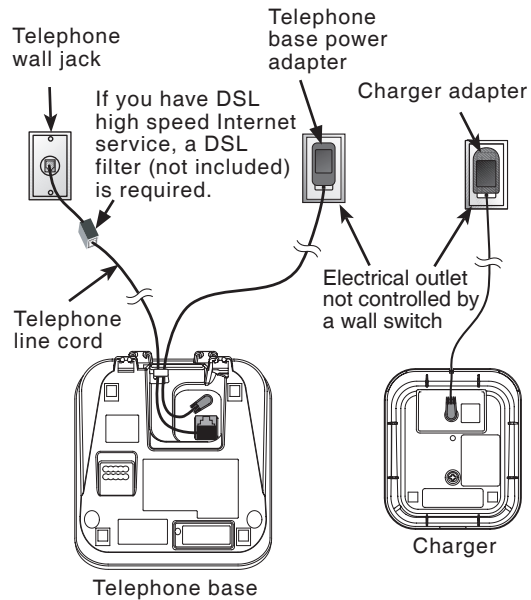


# Quick start guide

for models CS6228-3/CS6228-5/  
CS6228-6/CS6229/CS6229-2/CS6229-3/  
CS6229-4/CS6229-5

## Install the telephone base and charger(s)

Install the telephone base and charger(s) as shown below.



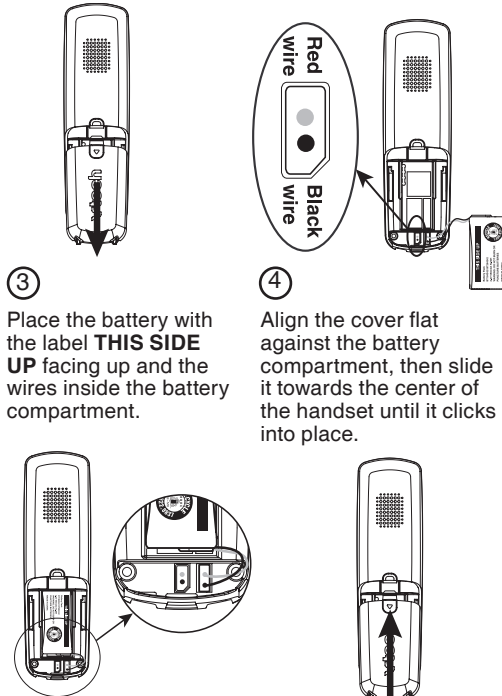
### note

1. Use only the power adapter(s) and battery(ies) supplied with your VTech telephone.
2. For complete feature instructions, please refer to your user's manual.

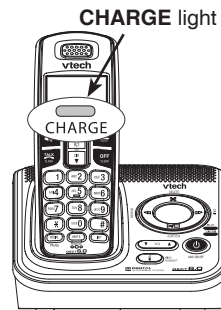
## Battery installation and charging

Install the battery as shown below. After installing the battery, you might be able to make and receive short calls. For best performance, charge the handset battery for at least 16 hours before use.

- ① If the battery compartment cover is on the handset, press the indentation and slide the cover to remove.
- ② Plug the battery securely into the plug inside the handset battery compartment, matching the color-coded label.



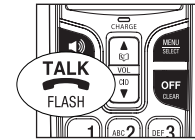
- ⑤ Charge the handset by placing it in the telephone base or charger. The **CHARGE** light is on when the handset charges.



## Make, answer and end a call

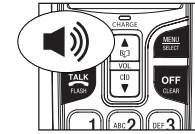
### Make a call

1. Press **TALK/FLASH** or . You hear a dial tone.
2. Dial the number.



### Make a predial call

1. Dial the number.
2. Press **TALK/FLASH** or .



### Answer a call

Press **TALK/FLASH**, or any of the dialing keys (0-9, #, \*).

### End a call

Press **OFF/CLEAR** or put the handset in the telephone base or charger.

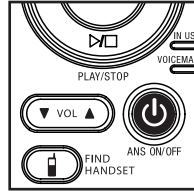
## Turn the answering system on or off

The answering system must be turned on to answer and record messages.

When the answering system is turned on, the **ANS ON/OFF** light on the telephone base will be on and **ANS ON** will display on the handset.

### To turn on or off with the telephone base:

- Press **ANS ON/OFF** to turn the answering system on or off. If the answering system is turned on, it announces, "Calls will be answered." If the answering system is turned off, it announces, "Calls will not be answered."



### To turn on or off with a handset:

1. Press **MENU/SELECT** to show the menu when the handset is not in use.
2. Press **MENU/SELECT** to select **>ANS. SYSTEM**.
3. Press **▲** or **▼** to select **>ANS SYS SETUP**, then press **MENU/SELECT**.
4. Press **MENU/SELECT** to select **>ANSWER ON/OFF**.
5. Press **▲** or **▼** to choose **ON** or **OFF**, then press **MENU/SELECT**.

## Outgoing announcement

The telephone is preset with a greeting that answers calls with *“Hello, please leave a message after the tone.”* You can use this preset announcement, or replace it with your own.

### Use a handset to record your own announcement:

1. Press **MENU/SELECT** to show the menu when the handset is not in use.
2. Press **MENU/SELECT** to select **>ANS. SYSTEM.**
3. Press **▲** or **▼** to select **>ANS SYS SETUP**, then press **MENU/SELECT.**
4. Press **▲** or **▼** to select **>ANNOUNCEMENT**, then press **MENU/SELECT.**
5. The handset announces, *“To play, press 2. To record, press 7.”* Press **7** to record.
6. The handset announces, *“Record after the tone. Press 5 when you are done.”*
7. After the tone, speak towards the microphone of the handset.
8. Press **5** when finished.
9. The answering system automatically plays back the newly recorded announcement. Press **5** to stop the playback at anytime; **2** to replay the recorded announcement; or **7** to record again if desired; or **3** to delete your own recorded announcement.

## To play messages with the telephone base:

Press **▶/▶/PLAY/STOP** to play messages and stop playback.

Options during playback:

- Press **▼ VOL ▲** to adjust the speaker volume.
- Press **▶/SKIP** to skip to the next message.
- Press **◀/REPEAT** to repeat the message currently playing. Press **◀/REPEAT** twice to listen to the previous message.
- Press **X/DELETE** to delete the current message.

## To play messages with a handset:

1. Press **MENU/SELECT** to show the menu when the handset is not in use.
2. Press **MENU/SELECT** to select **>ANS. SYSTEM.**
3. Press **MENU/SELECT** to select **>PLAY MSGS.**

Options during playback:

- Press **▼ VOL ▲** to adjust the speaker volume.
- Press **6** to skip to the next message.
- Press **4** to repeat the message currently playing. Press **4** twice to listen to the previous message.
- Press **3** to delete the current message.
- Press **5** to stop.

## IMPORTANT!

If your product is not working properly:

- Refer to the **Troubleshooting** section of the user's manual.
- Visit our website at [www.vtechphones.com](http://www.vtechphones.com) or call 1 (800) 595-9511. In Canada, go to [www.vtechcanada.com](http://www.vtechcanada.com) or dial 1 (800) 267-7377.