

Cat. No. 43-1125 A  
**OWNER'S MANUAL**

Please read before using this equipment.

---

# ET-1125

---

**900 MHz Digital Spread Spectrum  
Cordless Telephone  
with Caller ID/Call Waiting ID**



**RadioShack®**

## FEATURES

---

Your RadioShack 900 MHz Digital Spread Spectrum Cordless Telephone uses advanced technology to give you superior audio quality and extended range.

The phone's Caller ID unit records each caller's telephone number (and name, if available in your area) and the date and time of the call, as provided by your local phone company to Caller ID service subscribers. If you subscribe to Call Waiting with Caller ID, the phone can show you the incoming caller information, even when you are already talking on the phone.

Your phone has these features:

**Caller ID Memory** — stores up to 50 Caller ID records.

**3-Line Liquid Crystal Display** — lets you view an entire Caller ID record on one screen.

**20-Number Memory Dialing** — lets you store up to 20 numbers in memory for easy dialing.

**Headset Jack** — lets you connect an optional headset (available from your local RadioShack store) for hands-free convenience.

**Tone/Pulse Dialing** — lets you use your phone with either type of service.

**Hearing-Aid Compatibility** — lets you use the phone with hearing aids that have a T (telephone) switch.

**900 MHz Operation** — provides longer range and less interference than many other cordless phones.

**Spread Spectrum Technology** — spreads the signal across several frequencies, providing additional security for your phone conversations.

**Page** — lets you send a signal from the base to the handset to page someone or to help you locate the handset.

**Volume Control** — lets you adjust the volume you hear through the handset.

**Adjustable Ringer/Tone Volume** — lets you choose between two volumes and tones for the phone's ringer.

**Facedown or Faceup Handset Charging** — you can place the handset on the base face down or face up (to show the Caller ID display, for example).

**Wall Mountable** — you can mount the phone on a wall to save surface space.

**Ample Talk and Standby Time** — the supplied battery (when fully charged) provides about 3.5 hours of talk time or 7 days of standby time.

© 2000 RadioShack Corporation.  
All Rights Reserved.

RadioShack is a registered trademark used by RadioShack Corporation.

---

**Security Access-Protection Code** — automatically prevents other cordless phone users from using your phone line while the handset is off the base.

**Auto Talk** — lets you set the phone so you can answer a call simply by lifting the handset from the base.

**Redial** — lets you quickly redial any of the last three numbers dialed.

**Flash** — sends an electronic switch-hook signal for use with special phone services, such as Call Waiting.

### Important Caller ID Information



To use the phone's Caller ID and Call Waiting with Caller ID features, you must be in an area where those services are available and you must subscribe to those services through your local phone company.

Where Caller ID is offered, one or more options are generally available:

- caller's number only
- caller's name only
- caller's name and number.

This phone has been tested and found to comply with all applicable UL and FCC standards.

**WARNING:** To reduce the risk of fire or shock hazard, do not expose this product to rain or moisture.

	<b>CAUTION</b> RISK OF ELECTRIC SHOCK. DO NOT OPEN.	
<b>CAUTION:</b> TO REDUCE THE RISK OF ELECTRIC SHOCK, DO NOT REMOVE COVER OR BACK. NO USER-SERVICEABLE PARTS INSIDE. REFER SERVICING TO QUALIFIED PERSONNEL.		



This symbol is intended to alert you to the presence of uninsulated dangerous voltage within the product's enclosure that might be of sufficient magnitude to constitute a risk of electric shock. Do not open the product's case.



This symbol is intended to inform you that important operating and maintenance instructions are included in the literature accompanying this product.

We have designed your phone to conform to federal regulations, and you can connect it to most telephone lines. However, each phone (and each device, such as a telephone or answering machine) that you connect to the telephone line draws power from the telephone line. We refer to this power draw as the device's ringer equivalence number, or REN. The REN is on the bottom of your phone.

---

---

If you use more than one phone or other device on the line, add up all of the RENs. If the total is more than five (or three in rural areas), your telephones might not ring. If ringer operation is impaired, remove a device from the line.

Your phone complies with Part 68 of *FCC Rules*. You must, upon request, provide the FCC registration number and the REN to your telephone company. Both numbers are on the bottom of your phone.

**Note:** You must not connect your phone to:

- coin-operated systems
- party-line systems
- most electronic key telephone systems

**Important:**

- Cordless phones such as this one require AC power to operate. When the AC power is off, you cannot dial out or receive incoming calls using your phone. For this reason, the phone should not be your only telephone. To be safe, you should also have a phone that does not require AC power to operate (not a cordless phone) so you can still make and receive calls if there is an AC power failure.
- Some cordless phones operate at frequencies that might cause interference to nearby TVs and VCRs. To minimize or prevent such interference, the base of the cordless

phone should not be placed near or on top of a TV or VCR.

- Your cordless phone operates on standard radio frequencies, as allocated by the FCC. Even though your phone's access protection code prevents unauthorized use of your phone line, it is possible for other radio units operating on similar frequencies within a certain area to unintentionally intercept your conversations and/or cause interference. This possible lack of privacy can occur with any cordless phone.

## FCC STATEMENT

The phone complies with the limits for a Class B digital device as specified in Part 15 of *FCC Rules*. These limits provide reasonable protection against radio and TV interference in a residential area. However, your equipment might cause TV or radio interference even when it is operating properly. To eliminate interference, you can try one or more of the following corrective measures:

- Reorient or relocate the receiving antenna.
- Increase the distance between the equipment and the radio or TV.
- Use outlets on different electrical circuits for the equipment and the radio or TV.

Consult your local RadioShack store if the problem still exists.

# CONTENTS

---

<b>Installation</b> .....	<b>6</b>
Mounting the Phone .....	6
On a Desk, Shelf, or Table .....	6
On a Wall Plate or Wall .....	7
Connecting and Charging the Battery Pack .....	8
Setting the Dialing Mode .....	10
Setting the Ringer Tone/Volume .....	10
Turning Auto Talk On/Off .....	11
Turning Caller ID/Call Waiting On/Off .....	11
Storing Your Area Code .....	11
<b>Operation</b> .....	<b>13</b>
A Quick Look at Your Phone .....	13
Making and Receiving Calls .....	14
Selecting the Channel .....	14
Adjusting the Handset Volume .....	14
Using Redial .....	14
Using Flash .....	15
Using Tone Services on a Pulse Line .....	15
Paging .....	15
Memory Dialing .....	16
Storing a Number and Name in Memory .....	16
Editing or Deleting a Number in Memory .....	17
Entering a Pause .....	17
Reviewing Memory Numbers .....	17
Dialing a Memory Number .....	17
Chain-Dialing Service Numbers .....	18
Testing Stored Emergency Numbers .....	18
Using a Headset .....	18
<b>Caller ID Operation</b> .....	<b>19</b>
Reviewing Caller ID Records .....	19
Caller ID Messages .....	20
Adding/Deleting the Area Code .....	20
Dialing Numbers from a Caller ID Record .....	20
Storing a Caller ID Record to Memory .....	21
Deleting Caller ID Records .....	21
<b>Troubleshooting</b> .....	<b>22</b>
<b>Care and Maintenance</b> .....	<b>24</b>
Replacing the Battery Pack .....	25
The FCC Wants You to Know .....	25
Lightning .....	26

# INSTALLATION

---

## MOUNTING THE PHONE

You can place the phone on a desk or table, mount it on a standard wall plate, or mount it directly on a wall.

Select a location that is:

- near an AC outlet
- near a telephone line jack
- out of the way of normal activities
- away from electrical machinery, electrical appliances, metal walls or filing cabinets, wireless intercoms, alarms, and room monitors
- away from other cordless phones

The base's location affects the handset's range. If you have a choice of several locations, try each to see which provides the best performance.

You can power the phone using the supplied 9V, 210-mA AC adapter.

### Cautions:



You must use a Class 2 power source that supplies 9V DC and delivers at least 210 mA. Its center tip must be set to positive and its plug must fit the phone's **DC IN 9V** jack. The supplied adapter meets these specifications. Using an adapter that does not meet these specifications could damage the phone or the adapter.

- Always connect the AC adapter to the phone before you connect it to AC power. When you finish, discon-

nect the adapter from AC power before you disconnect it from the phone.

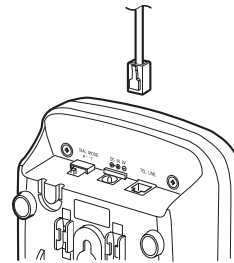
**Note:** Your telephone connects directly to a modular telephone line jack. If your telephone wiring does not have a modular jack, you can update the wiring yourself using jacks and adapters available at your local RadioShack store, or have the telephone company update the wiring for you.

The USOC number of the jack to be installed is RJ11C (or RJ11W for a wall plate jack).

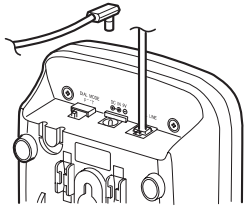
## On a Desk, Shelf, or Table

Follow these steps when you place the base on a desk, shelf or table.

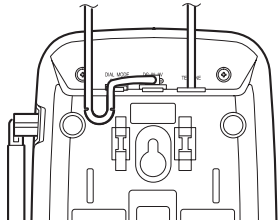
1. Plug one end of the supplied long modular cord into the **TEL LINE** jack on the back of the base.



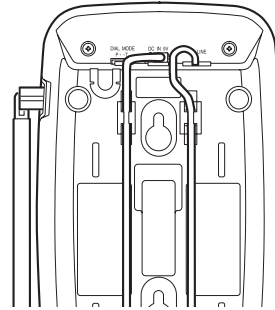
2. Insert the supplied AC adapter's barrel plug into the **DC IN 9V** jack on the back of the base.



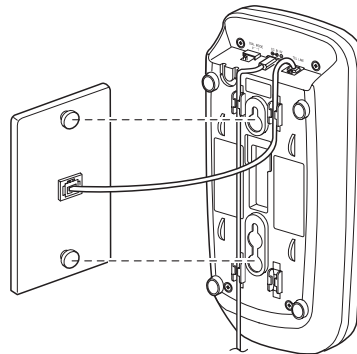
3. Route the adapter's cord through the strain relief slot on the base.



4. Plug the modular cord's other end into the phone jack.
5. Plug the adapter into a standard AC outlet.
6. Lift the base's antenna to a vertical position.



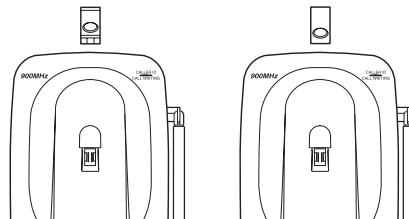
4. Plug the modular cord's other end into the wall plate jack, then align the base's keyhole slots with the wall plate studs and slide the base downward to secure it.



### On a Wall Plate or Wall

1. Plug one end of the supplied short modular cord into the **TEL LINE** jack on the back of the base as in "On a Desk, Shelf, or Table," Step 1, on Page 6.
2. Insert the supplied AC adapter's barrel plug into **DC IN 9V** as in "On a Desk, Shelf, or Table," Step 2, on Page 6.
3. Route the adapter and modular cords through the grooves on the base.


5. Plug the adapter into a standard AC outlet.
6. Press and lift out the handset holder. Rotate it 180°, then snap it back into place so it holds the handset.



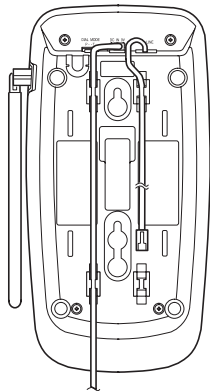
- Lift the base's antenna to a vertical position.

**Note:** To mount the phone directly on a wall, you need two screws (not supplied) with heads that fit into the keyhole slots on the bottom of the base.

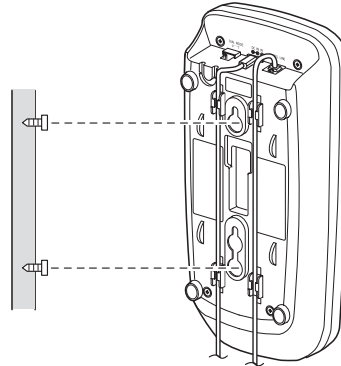
Follow the steps under "On a Wall Plate or Wall" on Page 7, then apply these additional instructions for placement on a wall.

- Drill two holes  $3\frac{15}{16}$  inches (100 mm) apart. Then thread a screw into each hole, letting the heads extend about  $\frac{3}{16}$  inch (5 mm) from the wall.
 

- Plug one end of the supplied long modular cord into the **TEL LINE** jack on the back of the base and route the adapter cable and modular cords through the grooves on the base.



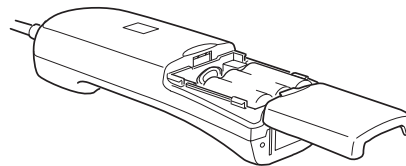
- Align the base's keyhole slots with the mounting screws and slide the base downward to secure it.



## CONNECTING AND CHARGING THE BATTERY PACK

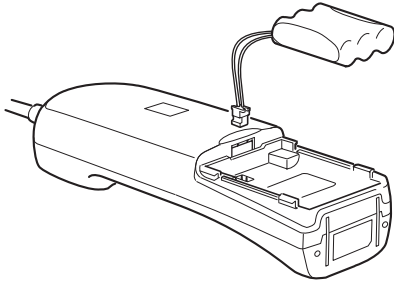
The phone comes with a rechargeable nickel-cadmium battery pack in the handset. Before using your phone, you must connect the battery pack, then charge it for about 24 hours.

- Press down and slide off the battery pack compartment cover.



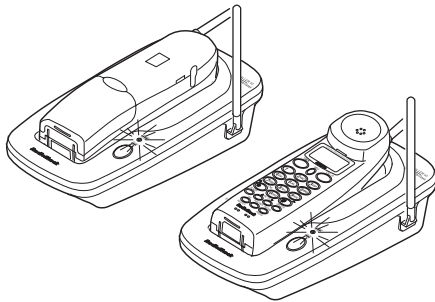


- 
- 
- Lift the battery pack out of the compartment.



- Plug the battery pack's connector into the socket in the compartment, (the connector fits only one way), replace the battery pack, and replace the cover.

To charge the battery pack, place the handset either faceup or facedown on the base. The CHARGE/IN USE indicator on the base lights and **Total:00** appears on the handset display.

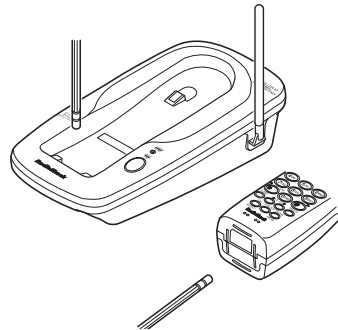


Recharge the battery pack when **Low Battery** flashes on the display.

**Note:** If the CHARGE/IN USE indicator flashes when the handset is on the base, the battery pack is not connected or loosely connected. Reconnect the battery pack securely.

**Notes:**

- When you first use the phone after charging or recharging the battery pack, the phone might not work and you might hear an error tone when you press **TALK**. Return the handset to the base for about 5 seconds to reset the security access-protection code.
- If the handset or the base loses power, the security access-protection code might be lost. To reset the code, return the handset to the base for about 5 seconds.
- Using a pencil eraser, clean the charging contacts on the handset and base about once a month.



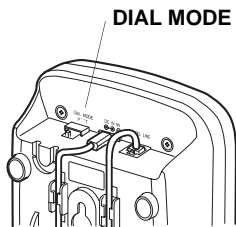
- If the battery pack becomes weak during a call, the handset beeps every 3 seconds and **Low Battery** flashes. When this happens, you cannot make a call until you recharge the battery pack.
- About once a month, fully discharge the battery by keeping the handset off the base until **Low Battery** flashes on the display. Otherwise, the battery pack loses its ability to fully recharge.

- If the display is blank and the phone does not work, recharge the battery pack. (The battery power might be too low to light the display.)
- If you are not going to use your phone for an extended period of time, disconnect the battery pack. This increases the battery pack's usable life.
- The supplied battery pack should last about a year. When it loses its ability to fully recharge, order a replacement battery pack from your local RadioShack store (see "Replacing the Battery Pack" on Page 25).

## SETTING THE DIALING MODE

Set **DIAL MODE** on the back of the base for the type of service you have. If you are not sure which type you have, do this test after you charge the handset's battery pack.

1. Set **DIAL MODE** to **T** (tone).



2. Lift the handset, press **TALK**, and listen for a dial tone.
3. Press any number other than **0**.

**Note:** If your phone system requires that you dial an access code (9, for example) before you dial an outside number, do not press the access code, either.

If the dial tone stops, you have touch-tone service. Leave **DIAL MODE** set to **T**.

If the dial tone continues, you have pulse service. Leave **DIAL MODE** set to **P** (pulse).

4. Press **TALK** or place the handset on the base to hang up.

## SETTING THE RINGER TONE/VOLUME

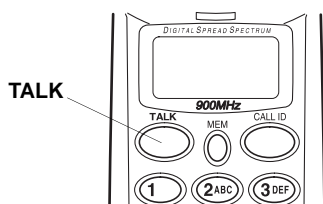
You can select one of four different ringer tone/volume settings on the handset. At any time, except during a call, repeatedly press **VOL/CID ▲** or **▼** to select the desired ringer setting. Each time you press a button, the phone rings at the selected setting and the display shows **Ringer A High**, **Ringer A Low**, **Ringer B High**, or **Ringer B Low**.

**Note:** Pressing **VOL/CID ▲** at **Ringer A High** or **VOL/CID ▼** at **Ringer B Low** does not change the setting. Press the opposite arrow key to change the setting.

---

## TURNING AUTO TALK ON/OFF

Your phone is preset so you must press **TALK** when you lift the handset from the base to answer a call. With auto talk turned on, you can answer a call by just lifting the handset from the base. If the handset is away from the base, you can answer by pressing any key.



Follow these steps to turn auto talk on or off.

1. Lift the handset and press **FUNCTION**. A menu appears with **Auto Talk** selected.
2. Press **CH/SELECT** to change the auto talk setting. **On** or **Off** appears indicating the selected setting.
3. Return the handset to the base or press **FUNCTION** to store the new setting.

## TURNING CALLER ID/ CALL WAITING ON/OFF

If you subscribe to Call Waiting with Caller ID service, you can set the ET-1125 to show Caller ID information for an incoming call even while you are using the phone.

Follow these steps to turn the Caller ID/Call Waiting feature on or off.

1. Lift the handset and press **FUNCTION**.
2. Press **2** or **VOL/CID ▼** to select **CI-DCW** (Caller ID/Call Waiting).
3. Press **CH/SELECT** to change the Caller ID/Call Waiting setting. **On** or **Off** appears indicating the selected setting.
4. Press **FUNCTION** then return the handset to the base to store the new setting.

## STORING YOUR AREA CODE

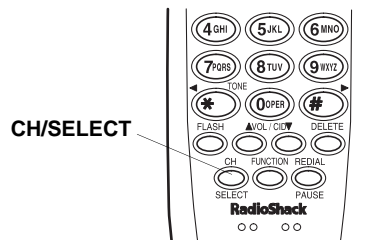
You can store your local area code in the phone's Caller ID record so it does not store the area code if the received call is from your local area. If for some reason you need to dial the area code (or store in the memory), you can add it afterwards. See "Adding/Deleting the Area Code" on Page 20.

**Note:** If your calling area requires 10-digit dialing including area code, do not enter the area code but leave this option blank.

Follow these steps to store your area code.

1. Lift the handset and press **FUNCTION**.
2. Press **3** or **VOL/CID ▼** twice to select **Area Code**.

- 
3. Press **CH/SELECT**, then enter your three-digit area code. If you make a mistake, repeatedly press ◀ / \* or # / ▶ to move the cursor over the incorrect digit, then enter the correct number.



**Note:** If an area code is already stored, it appears on the display. To delete the area code, press **DELETE** three times. Then enter your area code.

4. Press **CH/SELECT** to store the area code, then press **FUNCTION** or return the handset to the base to clear the display.

# OPERATION

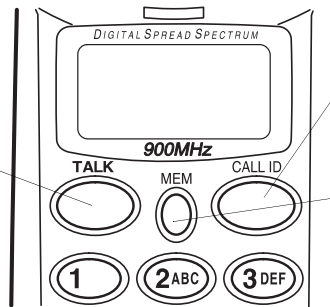
## A QUICK LOOK AT YOUR PHONE

Use **TALK** to make a call (see “Making and Receiving Calls” on Page 14).

Press **TONE** to use your phone company’s special tone services (see “Using Tone Services on a Pulse Line” on Page 15).

Use **FLASH** to select the phone’s flash function (see “Using Flash” on Page 15).

Use **CH/SELECT** to select the phone’s channels (see “Selecting the Channel” on Page 14) and other options.



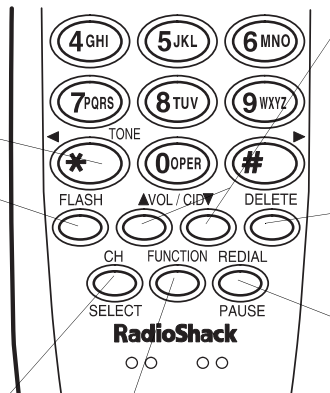
Use **CALL ID** to review the Caller ID records.

Use **MEM** to store or recall names and numbers in memory (see “Memory Dialing” on Page 16).

Use **▲ VOL/CID ▼** to adjust the handset volume (see “Adjusting the Handset Volume” on Page 14), view Caller ID records (see “Caller ID Operation” on Page 19), or select options.

Use **DELETE** to erase information if you make a mistake.

Use **REDIAL/PAUSE** to select a phone number so you can redial it (see “Using Redial” on Page 14) or store a pause in a number (see “Entering a Pause” on Page 17).



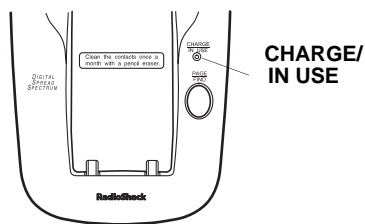
Use **FUNCTION** to select your phone’s functions.

---

---

## MAKING AND RECEIVING CALLS

To make a call, lift the handset and press **TALK**. **Talk** and the current volume setting (see "Adjusting the Handset Volume") appear on the handset's display, and the CHARGE/IN USE indicator on the base lights. Then dial the number. The number displays on the handset as you dial, then (after a few seconds) the call's elapsed time displays.



You can also dial the number before you press **TALK**.

If you make a mistake, press **DELETE** until the incorrect entry is erased, then enter the correct number. To delete the entire number, hold down **DELETE** for at least 2 seconds.

When you receive a call, **Incoming Call** appears on the display. To answer it, lift the handset from the base and press **TALK**. If auto talk is on, just lift the handset from the base. If the handset is away from the base, press any key. **Talk** and the current volume setting appear on the display.

To end a call, place the handset on the base or press **TALK**.

## SELECTING THE CHANNEL

The phone has 20 channels. If the call seems to disconnect for no reason during a call, press **CH/SELECT** on the handset to select a different channel. The display shows **Scanning** as your phone searches for a clear channel.

## ADJUSTING THE HANDSET VOLUME

To adjust the volume of the sound you hear through the handset during a call, press **VOL/CID ▲** or **▼** on the handset until you obtain the desired volume level. **Volume Maximum**, **Volume High**, **Volume Medium**, or **Volume Low** displays on the handset.

Once you set the volume level, the setting is maintained even after you hang up the phone.

**Note:** When you press **VOL/CID ▲** while the volume is maximum or **▼** while the volume is low, the setting does not change and an error tone sounds.

## USING REDIAL

You can quickly dial any of the last three numbers you dialed recently. Lift the handset and repeatedly press **REDIAL/PAUSE** until the number you wish to dial displays. Then press **TALK** and the phone dials the number.

---

---

**Notes:**

- You can also press **REDIAL/PAUSE** after pressing **TALK** to dial the last number dialed.
- The redial memory holds up to 32 digits, so you can redial long-distance as well as local numbers.
- The redial memory also holds pause entries. See “Entering a Pause” on Page 17.

## USING FLASH

**FLASH** performs the electronic equivalent of a switchhook operation for special services, such as Call Waiting.

For example, if you have Call Waiting, press **FLASH** to answer an incoming call without disconnecting the current call. Press **FLASH** again to return to the first call.

**Note:** If you do not have any special phone services, pressing **FLASH** might disconnect the current call.

## USING TONE SERVICES ON A PULSE LINE

Some special services, such as bank-by-phone, require tone signals. If you have pulse service, you can still use these special tone services by following these steps.

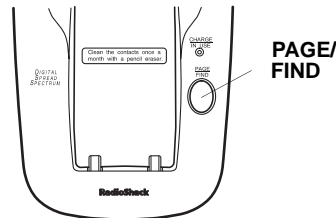
1. Be sure **DIAL MODE** is set to **P** (pulse).

2. Dial the service’s main number.
3. When the service answers, press **STONE (\*)**. Any additional numbers you dial are sent as tone signals.

The phone automatically resets to the pulse mode the next time you make or receive a call.

## PAGING

To send a page from the base to the handset or to locate the handset, when the phone is not in use, press **PAGE/FIND** on the base. The handset beeps for 5 seconds.



To locate the handset using a continuous beep, press and hold **PAGE/FIND** longer than 2 seconds.

Press any key or place the handset on the base to stop the page.

**Note:** The phone rings when a call comes in while you are using the page feature.

---

---

## MEMORY DIALING

You can store up to 20 phone numbers and names in memory, then dial a stored number by entering its memory location number.

Each number can be up to 20 digits, and each name can be up to 13 characters.

### Storing a Number and Name in Memory

#### Notes:

- An error tone sounds and the phone exits the storing process if you wait more than 20 seconds between each keypress.
- If you receive a call during memory entry, the phone exits the storing process.

1. Lift the handset.
2. Hold down **MEM** until **Memory Store** and a list of memory location numbers appears.
3. Press a number (**01–20**) to choose a two-digit memory location. Precede a single digit location number with **0 – 01, 02, 03**, and so on.
4. To store a name, press **CH/SELECT**. **Store Name** appears.  
  
If you do not want to enter a name, skip to Step 6. **<Memory nn>** will appear to identify the number (nn is the location number you selected).
5. To enter a name, press **VOL/CID ▲** or **▼** to select the characters and **◀/×** or **#/▶** to move the cursor.

Repeatedly press **VOL/CID ▼** to view the characters in alphabetical order. (The display shows uppercase letters first, then lowercase letters, numbers, and special characters.)

#### Notes:

- Press **VOL/CID ▲** to see the characters in reverse alphabetical order.
  - You can hold down **VOL/CID ▲** or **▼** to scroll rapidly through the characters.
  - If you make a mistake, move the cursor over the error, then enter the correct character, or press **DELETE** to delete a character. To delete all the characters, hold down **DELETE** for at least 1 second.
6. Press **SELECT**. **Store Number** appears.
  7. Enter the phone number and any tone or pause entries (see “Using Tone Services on a Pulse Line” on Page 15 and “Entering a Pause” on Page 17).
  8. Press **SELECT**. The phone beeps and **Memory nn Stored** appears. After 2 seconds, **Memory Store** appears. Repeat Steps 3–8 to store more numbers.
  9. When you finish, press **MEM**.

To replace a stored number, store a new one in its place.



---

## Editing or Deleting a Number in Memory

Follow these steps to edit or delete a memory number.

1. Lift the handset.
2. Hold down **MEM** until **Memory Store** and a list of memory location numbers appear on the display.
3. Choose a memory location (**01–20**) by pressing a number or by repeatedly pressing **VOL/CID ▲** or **▼**.
4. Press **CH/SELECT**. A menu appears with the three options listed below. Press **VOL/CID ▲** or **▼** to highlight the desired option then press **CH/SELECT** to choose it.

**Edit Memory nn** — edit the record as described in Steps 5 through 8 of “Storing a Number and Name in Memory” on Page 16.

**Delete Memory nn** — the display prompts you to confirm the deletion. Press **VOL/CID ▲** to move the cursor to **Yes**, then press **CH/SELECT** or **DELETE**. The phone beeps, and **Memory nn Deleted** appears.

**Go Back** — returns you to the list of memory numbers.

## Entering a Pause

In some telephone systems, you must dial an access code (9, for example) and wait for a second dial tone before you can dial an outside number. You can store the access code with the phone number. However, you should also store

a pause after the access code to allow the outside line time to connect. To enter a 2-second pause, press **REDIAL/PAUSE**. The display shows **P** for pause entry. You can add more pause entries for a longer pause.

## Reviewing Memory Numbers

To review your memory numbers, press **MEM**. The list of memory location numbers (**01–20**) appears with the name stored with each number (or **<Memory nn>** if you did not store a name).

To see the stored phone numbers, press **#/▶**. An arrow to the right of the number means it is longer than 13 digits. Press **#/▶** again to see the rest of the number. Repeatedly press **◀/\*** to return to the name display.

To exit the memory number list, press **MEM**.

To see a stored name and phone number at the same time, press **CH/SELECT** when the cursor is by a memory location number. To exit this display, hold down **DELETE** until the display clears.

## Dialing a Memory Number

To dial a number stored in memory, lift the handset and press **MEM**. The list of memory location numbers appears. Choose a memory location (**01–20**) by pressing a number or by repeatedly pressing **VOL/CID ▲** or **▼**, then press **TALK**.

---

You can also dial a memory number after pressing **TALK**. Press **MEM** (the display does not change but the phone's memory recall activates) then enter a memory location number.

## Chain-Dialing Service Numbers

For quick recall of numbers for special services (such as bank-by-phone), store each group of numbers in its own memory location.


Dial the service's main number first. Then, at the appropriate place in the call, press **MEM** and enter the number for the location where the additional information is stored.

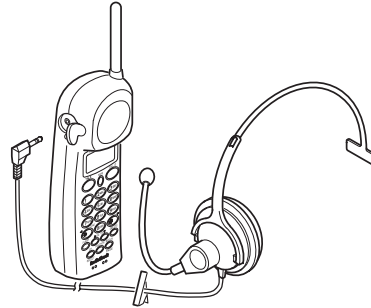
## Testing Stored Emergency Numbers

If you store an emergency service's number (police department, fire department, ambulance) and you choose to test the stored number, make the test call during the late evening or early morning hours to avoid peak demand periods. Also, remain on the line to explain the reason for your call.

## USING A HEADSET

You can make or answer calls with hands-free convenience using an optional headset that has a  $\frac{3}{32}$ -inch (2.5-mm) plug. Contact your local RadioShack store for a suitable headset.

To connect the headset, pull open the rubber cover marked  on the side of the handset, then insert the headset's plug into the jack.



### Notes:

- Connecting a headset disconnects the handset's earpiece and microphone.
- **VOL/CID ▲** or **▼** on the handset also controls the headset's volume.
- If you place the handset on the base to recharge it while the headset is connected, be sure the handset seats properly.
- With a headset connected, you can make or answer calls as usual using the keys on the handset.
- You can use a handset holder (available from your local RadioShack store) to hang the handset on your belt for greater convenience.
- When you finish using the headset, disconnect it from the handset and close the rubber cover to protect the jack.

## CALLER ID OPERATION

---

If you subscribe to Caller ID service from your phone company, the phone company sends information about the call, as well as the time and date, between the first and second rings of every call you receive.

The phone displays this information after the second ring, and it stores up to 50 Caller ID records for later review. It also shows if caller information is unavailable or if the name and number were blocked by the caller (see “Caller ID Messages” on Page 20).

If you subscribe to Call Waiting with Caller ID, you will hear a tone through the handset when a call comes in, then the Caller ID record appears. If you want to answer the incoming call, press **FLASH**. To resume the previous phone conversation, press **FLASH** again.

If the phone's Caller ID memory becomes full, any new call replaces the oldest call's record.

### REVIEWING CALLER ID RECORDS

To review the Caller ID records, lift the handset and press **CALL ID**. The number of new Caller ID records, if any, and the total number of records appear.

**Note:** If the handset is faceup on the base, it shows the number of Caller ID records, so you can see if you have new records to review.

Repeatedly press **VOL/CID ▼** to scroll through the Caller ID records from the newest to the oldest, or **VOL/CID ▲** to scroll back through the records. To scroll quickly through the records, hold down **VOL/CID ▼** or **▲**.

When you scroll past the last record, total record number appears, then the first record. When you scroll past the first record, the total record number appears, then the last record.

The top line of each record shows the date, time and the number of calls from that number. The second line shows the caller's name, and the third line shows the caller's phone number.

To exit the Caller ID record display, press **CALL ID**.

---

---

## Caller ID Messages

Display	Description
<b>New:XX</b> <b>Total:XX</b>	Shows the number of new Caller ID records (records you have not reviewed) and the total number of records.
<b>Private Name</b> or <b>Private Number</b>	The caller has blocked the Caller ID information.
<b>Unknown Name</b> or <b>Unknown Number</b>	The caller is not within a Caller ID service area.
<b>Incomplete Data</b>	Appears if there was an error during the transmission of Caller ID information. Occasional errors are normal. If the phone frequently displays <b>Incomplete Data</b> , contact your local telephone company or RadioShack store.

### ADDING/DELETING THE AREA CODE

When the area code of the received call is the same as the one you stored (see "Storing Your Area Code" on Page 11), the caller ID record does not show the area code. If it is different, the record shows the area code.

However, you can add or delete the area code on the display. When the record is on the display, press **3** to add or delete the area code. Pressing **3** again deletes or adds the area code.

When you dial the number or store it into memory, the phone dials or stores the number as it appears on the display.

### DIALING NUMBERS FROM A CALLER ID RECORD

To dial a local number stored in a Caller ID record, recall the record, then press **TALK**. If it is a long distance call, press **1** (**1** appears before the displayed number) before you press **TALK**. If you want to add or delete the area code, press **3** before you press **TALK**.

**Note:** If a Caller ID record does not contain a phone number (if it was blocked by the caller, for example) you cannot dial from that record.

---

## STORING A CALLER ID RECORD TO MEMORY

Follow these steps to store the name and number from a Caller ID record into a memory location.

1. Press **CALL ID** then **VOL/CID ▲** or **▼** to recall the record you want to store.

If you want to add or delete the area code, press **3**.

2. Press **MEM. Select Location** appears.
3. Choose a memory location (**01–20**) by pressing a number or by repeatedly pressing **VOL/CID ▲** or **▼**, then press **CH/SELECT**.

If the selected location is empty, the phone beeps to confirm that it stored the number, then the Caller ID record appears.

If a record exists in the selected location, **Replace Memory?** appears, prompting you to confirm the replacement. Move the cursor to **Yes** or **No**, then press **CH/SELECT**.

## DELETING CALLER ID RECORDS

You can delete Caller ID records individually or all at once.

Follow these steps to delete a single Caller ID record.

1. Press **CALL ID** then **VOL/CID ▲** or **▼** to recall the record you want to delete.
2. Press **DELETE. Delete Message?** appears, prompting you to confirm the deletion.
3. Press **VOL/CID ▲** or **▼** to move the cursor to **Yes**, then press **CH/SELECT** or **DELETE**. The phone beeps once indicating that the record was deleted.

Follow these steps to delete all Caller ID records.

1. Press **CALL ID** so the record totals appear.
2. Press **DELETE. Delete All?** appears, prompting you to confirm the deletion.
3. Press **VOL/CID ▲** or **▼** to move the cursor to **Yes**, then press **CH/SELECT** or **DELETE**. The phone beeps once and **Total:00** appears indicating that all Caller ID records were deleted.

## TROUBLESHOOTING

---

We do not expect you to have any problems with your phone, but if you do, these suggestions might help.

Problem	Suggestion
The phone does not work or works poorly.	Be sure the base's phone line cord and AC adapter are correctly and securely connected.
	Be sure the battery pack in the handset is connected and charged.
	Return the handset to the base for about 5 seconds to reset the security access-protection code.
The display flashes slowly when the handset is faceup on the base.	Make sure the battery pack in the handset is properly connected.
The handset stops working or works poorly during a call.	Move the handset closer to the base.
	Lift the base's antenna to a fully vertical position.
	Be sure the handset's battery pack is charged. (If the battery pack power is too low, the handset cannot display <b>Low Battery</b> .)
Low volume or unusual sounds.	Someone has picked up another phone on the same line. Hang up the other phone.
Dropout or mute.	Keep the handset away from computers, remote control toys, wireless microphones, alarm systems, intercoms, room monitors, fluorescent lights, and electrical appliances.
	Move to another location or turn off the source of interference.
	Press <b>CH/SELECT</b> to change the channel.
	Hang up and redial the number.

Problem	Suggestion
The phone cannot be operated at a useful distance from the base because the signal becomes weak or noisy (handset's range has decreased).	Lift the base's antenna to a vertical position.
	Be sure neither the handset's nor base's antenna is touching a metal surface.
	Return the handset to the base and recharge the battery pack.
The handset battery pack does not charge.	Check the charging contacts on the handset and base. If they are dirty, clean them with a pencil eraser.
	Be sure the battery pack is connected correctly.
	Be sure the handset is properly seated on the base.
	Replace the battery pack (see "Replacing the Battery Pack" on Page 25).
The handset does not ring or receive a page.	Move the handset closer to the base.
	Lift the base's antenna to a vertical position.
	Be sure the battery pack in the handset is connected and charged.
	Move the base away from other electrical devices.
You have an incoming call, but do not receive any Caller ID information.	Let the phone ring twice before you answer so the phone has time to record the Caller ID information.
	Check that the phone is correctly and securely connected.
	Check with your phone company to verify that your Caller ID service is active.

If you still have problems, disconnect the phone. If other phones on the same line work properly, the fault is in this phone or its installation. If you cannot find the problem, take the phone to your local RadioShack store for assistance.

## CARE AND MAINTENANCE

---

Your RadioShack 900 MHz Digital Spread Spectrum Cordless Telephone is an example of superior design and craftsmanship. The following suggestions will help you care for your phone so you can enjoy it for years.



Keep the phone dry. If it gets wet, wipe it dry immediately. Liquids might contain minerals that can corrode the electronic circuits.



Use and store the phone only in normal temperature environments. Temperature extremes can shorten the life of electronic devices, damage batteries, and distort or melt plastic parts.



Keep the phone away from dust and dirt, which can cause premature wear of parts.



Handle the phone gently and carefully. Dropping it can damage circuit boards and cases and can cause the phone to work improperly.



Use only fresh batteries of the required size and recommended type. Batteries can leak chemicals that damage your phone's electronic parts.



Wipe the phone with a damp cloth occasionally to keep it looking new. Do not use harsh chemicals, cleaning solvents, or strong detergents to clean the phone.

Modifying or tampering with the phone's internal components can cause a malfunction and might invalidate its warranty and void your FCC authorization to operate it. If your phone is not performing as it should, take it to your local RadioShack store for assistance. If the trouble is affecting the telephone lines, the phone company can ask you to disconnect your phone until you have resolved the problem.



---

## REPLACING THE BATTERY PACK

If you follow the instructions in “Connecting and Charging the Battery Pack” on Page 8, the battery pack should last about one year. If the battery pack does not hold a charge for more than 2 hours after an overnight charge, replace it with a new 3.6-volt, 600 mAh battery pack with a connector that fits the socket in the battery compartment. You can order a replacement battery pack through your local RadioShack store.

Install the new battery pack, then charge it for about 24 hours.

1. Press down and slide off the battery pack compartment cover.
2. Lift the battery pack out of the compartment, then gently pull on the battery connector to disconnect it.
3. Insert the new battery pack’s connector into the socket in the compartment, place the battery pack into the compartment, and replace the cover.

**Warning:** Dispose of the old battery pack promptly and properly. Do not burn or bury it.

### Cautions:

- You must use a replacement battery pack of the same size and type.
- Do not dispose of the battery pack in a fire because it might explode.
- Do not open or mutilate the battery pack.

- Be careful not to short the battery pack by touching it with conducting materials, such as rings, bracelets, and keys. The battery pack or conductor might overheat and burn.

If you have trouble replacing the battery pack, take the phone to your local RadioShack store for assistance.

**Important:** The EPA certified RBRC® Battery Recycling Seal on the nickel-cadmium (Ni-Cd) battery indicates RadioShack is voluntarily participating in an industry program to collect and recycle these batteries at the end of their useful life, when taken out of service in the United States or Canada. The RBRC program provides a convenient alternative to placing used Ni-Cd batteries into the trash or the municipal waste stream, which may be illegal in your area. Please call 1-800-THE-SHACK (1-800-843-7422) for information on Ni-Cd battery recycling and disposal bans/restrictions in your area. RadioShack’s involvement in this program is part of the company’s commitment to preserving our environment and conserving our natural resources.



## THE FCC WANTS YOU TO KNOW

In the unlikely event that your phone causes problems on the phone line, the phone company can temporarily discontinue your service. If this happens, the phone company attempts to notify you in

---

advance. If advance notice is not practical, the phone company notifies you as soon as possible and advises you of your right to file a complaint with the FCC.

Also, the phone company can make changes to its lines, equipment, operations, or procedures that could affect the operation of this telephone. The telephone company notifies you of these changes in advance, so you can take the necessary steps to prevent interruption of your telephone service.

## **LIGHTNING**

Your telephone has built-in protection circuits to reduce the risk of damage from surges in telephone line and power line current. These protection circuits meet or exceed the FCC requirements. However, lightning striking the telephone or power lines can damage your telephone.

Lightning damage is not common. Nevertheless, if you live in an area that has severe electrical storms, we suggest that you unplug your phone when storms approach to reduce the possibility of damage.

## NOTES

---

### Limited One-Year Warranty

This product is warranted by RadioShack against manufacturing defects in material and workmanship under normal use for one (1) year from the date of purchase from RadioShack company-owned stores and authorized RadioShack franchisees and dealers. EXCEPT AS PROVIDED HEREIN, RadioShack MAKES NO EXPRESS WARRANTIES AND ANY IMPLIED WARRANTIES, INCLUDING THOSE OF MERCHANTABILITY AND FITNESS FOR A PARTICULAR PURPOSE, ARE LIMITED IN DURATION TO THE DURATION OF THE WRITTEN LIMITED WARRANTIES CONTAINED HEREIN. EXCEPT AS PROVIDED HEREIN, RadioShack SHALL HAVE NO LIABILITY OR RESPONSIBILITY TO CUSTOMER OR ANY OTHER PERSON OR ENTITY WITH RESPECT TO ANY LIABILITY, LOSS OR DAMAGE CAUSED DIRECTLY OR INDIRECTLY BY USE OR PERFORMANCE OF THE PRODUCT OR ARISING OUT OF ANY BREACH OF THIS WARRANTY, INCLUDING, BUT NOT LIMITED TO, ANY DAMAGES RESULTING FROM INCONVENIENCE, LOSS OF TIME, DATA, PROPERTY, REVENUE, OR PROFIT OR ANY INDIRECT, SPECIAL, INCIDENTAL, OR CONSEQUENTIAL DAMAGES, EVEN IF RadioShack HAS BEEN ADVISED OF THE POSSIBILITY OF SUCH DAMAGES.

Some states do not allow limitations on how long an implied warranty lasts or the exclusion or limitation of incidental or consequential damages, so the above limitations or exclusions may not apply to you.

In the event of a product defect during the warranty period, take the product and the RadioShack sales receipt as proof of purchase date to any RadioShack store. RadioShack will, at its option, unless otherwise provided by law: (a) correct the defect by product repair without charge for parts and labor; (b) replace the product with one of the same or similar design; or (c) refund the purchase price. All replaced parts and products, and products on which a refund is made, become the property of RadioShack. New or reconditioned parts and products may be used in the performance of warranty service. Repaired or replaced parts and products are warranted for the remainder of the original warranty period. You will be charged for repair or replacement of the product made after the expiration of the warranty period.

This warranty does not cover: (a) damage or failure caused by or attributable to acts of God, abuse, accident, misuse, improper or abnormal usage, failure to follow instructions, improper installation or maintenance, alteration, lightning or other incidence of excess voltage or current; (b) any repairs other than those provided by a RadioShack Authorized Service Facility; (c) consumables such as fuses or batteries; (d) cosmetic damage; (e) transportation, shipping or insurance costs; or (f) costs of product removal, installation, set-up service adjustment or reinstallation.

This warranty gives you specific legal rights, and you may also have other rights which vary from state to state.

RadioShack Customer Relations, 200 Taylor Street, 6th Floor, Fort Worth, TX 76102

*We Service What We Sell*

12/99

**RadioShack Corporation  
Fort Worth, Texas 76102**

09A00

UCZZ01673ZA  
Printed in China