

Lexmark X540 Series

Lexmark X543dn

Lexmark X544 models



PRINT



COPY



SCAN



FAX AVAILABLE



UP TO 25 PPM COLOR



UP TO 25 PPM BLACK



DUPLEX



NETWORK



Power up your workday with Lexmark multifunction color!



Print Less. Save More.

Print less? This may seem like a surprising message for a company dedicated solely to printing. But when you consider that businesses spend, on average, up to 6% of their revenue on printing and that active print management can cut office print costs by up to 30%¹, it makes a lot of sense. Lexmark products, solutions and services provide innovative ways to save you time, drive down costs and reduce your impact on the environment. We are committed to helping you print less and save more.

¹ Source: InfoTrends/CapVentures, Network Document Solutions Forecast 2007-2012, Network Document Solutions Consulting Service, August 2008

The network-ready Lexmark X540 Series offers high-performance color and multifunction savings for cost-conscious small workgroups. What's more, you're protected by Lexmark's Lifetime Pricing Guarantee. Lexmark guarantees, for as long as you own your MFP, not to increase the price* of toner cartridges for your Lexmark X540 MFP. Save even more when you enroll in Lexmark Rewards!

* U.S. dollar price only listed on www.lexmark.com. Other currency prices listed subject to currency fluctuation based on the U.S. dollar. This guarantee does not apply to dealer and/or distributor pricing. Lexmark reserves the right to discontinue selling these toner cartridges any time after it discontinues service support for this printer.



Easy to use, easy to share

Surprisingly compact for such a fully functioned solution, these devices are also incredibly quiet, easy to use and integrate effortlessly into your existing office environment.

- As quiet as 47 dBA while printing; reduce sound even more with Quiet Mode
- User-friendly operator panel for easy access to all functions
- PCL 6 and PostScript 3 emulations ensure compatibility with your application software
- Fully network-ready for enhanced workgroup performance
- Quick and convenient cartridge replacement

Color that makes a difference!

Outstanding color adds impact to your important business documents. Lexmark puts its color expertise to work for you and gives you the tools to control color output effectively.

- Rich, vibrant, true 1200 x 1200 dpi color printing
- Lexmark High Yield Toner Cartridges to keep printing costs low
- Includes new generation Lexmark toner
- Consistent color balance with Pantone calibration
- Color-control tools: coverage estimator and ColorSaver™ mode



Duplex color scanning
Saves time by scanning both sides of your document automatically



Scan to e-mail
Eliminates the need for paper copies; quickly locates addresses stored in your company directory



Direct USB
Front USB port for walk-up printing and scanning to memory device



Lexmark Scan Center software
Scan options and scan-to destinations located on one easy-to-use window



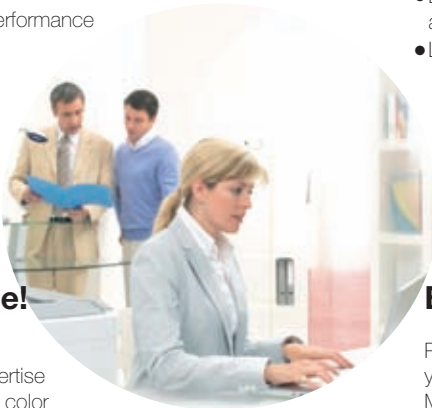
Multi-format support
Save your documents in common image formats (PDF, JPG, TIF) for viewing, sharing and use on the Web



The power of multifunction

Built for serious office work, these new color MFPs equip you with all the productivity functions you need to maximize your business performance.

- Move easily between hardcopy and digital documents with advanced scanning, such as scan to desktop, scan to e-mail or scan to shared server
- Models available with duplex printing and duplex scanning
- Duo Drawer combines a 100-sheet multipurpose feeder and 550-sheet tray in one unique option
- Lexmark X544 models add Super G3 fax capability



Eco-responsible printing

Printing responsibly means everyone wins – your business, your budget and the environment! Lexmark's new color MFPs are eco-designed and come with a range of features to help you print greener at every level.

- Models with built-in duplex offer excellent value and paper savings
- Paper Saver lets you copy multiple pages per sheet
- Eco-Mode reduces power consumption
- Instant warm-up fuser saves energy while delivering first page quickly
- Lexmark Cartridge Collection Program for leading-edge recycling



Powerful scanning features!

Lexmark X540 Series

**A small office partner
packed with features!**

Lexmark Rewards Green looks good on you!

Purchase a Lexmark X540 Series color laser MFP and you can save up to 20 percent of the total cost of supplies while you help save the planet. It's easy with Lexmark Rewards.

Lexmark Rewards gives you free high-yield toner cartridges and imaging kits simply for using genuine Lexmark toner and returning your empty cartridges to Lexmark for recycling – you'll earn two rewards points just for signing up and an additional point for each cartridge return. For every 10 points earned Lexmark will send you a free high-yield toner cartridge, and when it's time to replace your imaging kit we'll send you one of those free too.

Learn more
www.LexmarkRewards.com

Get exactly the performance you need



Lexmark X543dn

Network-ready, 3-in-1 compact color laser with paper-saving duplex printing

- Up to 21 ppm output in black and color
- High-quality printing, copying and scanning
- Built-in paper-saving duplex printing
- Optional Duo Drawer expands input capacity and includes a multipurpose feeder
- Ships with Lexmark High Yield Toner Cartridges
- Recommended monthly volume: 500 to 1,500 pages



Lexmark X544 models

Reliable 4-in-1 color MFP, loaded with high-performance features

- Up to 25 ppm output in black and color
- Includes fax and high-quality duplex scanning
- Direct USB port for walk-up printing and scanning to memory device
- Lexmark Extra High Yield Toner Cartridges available
- Recommended monthly volume: 800 to 3,000 pages

Configurations available: Lexmark X544n, Lexmark X544dn, Lexmark X544dtn, Lexmark X544dw

	Lexmark X543dn	Lexmark X544n
Printing		
Print Technology	Color Laser	
Print Speed (Letter, Black): Up to	21 ppm	25 ppm
Print Speed (Letter, Color): Up to	21 ppm	25 ppm
Print Resolution, Black	1200 x 1200 dpi, 4800 Color Quality (1200 x 600 dpi)	
Print Resolution, Color	1200 x 1200 dpi, 4800 Color Quality (1200 x 600 dpi)	
Memory, Standard	128 MB	
Memory, Maximum	640 MB	
Print Noise Level, Operating	47 dBA	48 dBA
Noise Level, Idle	inaudible dBA	
Maximum Monthly Duty Cycle: Up to	35000 pages per month	55000 pages per month
Recommended Monthly Page Volume	500 - 1500 pages	800 - 3000 pages
Supplies		
Supplies Yield (Average continuous black or continuous composite CMY declared cartridge yield up to this number of standard pages in accordance with ISO/IEC 19798.)	1,000*-page Color Toner Cartridges (CMY), 2,000*-page Color High Yield Toner Cartridges (CMY), 2,500*-page Black High Yield Toner Cartridge, 1,000*-page Black Toner Cartridge	1,000*-page Color Toner Cartridges (CMY), 2,000*-page Color High Yield Toner Cartridges (CMY), 4,000*-page Color Extra High Yield Toner Cartridges (CMY), 2,500*-page Black High Yield Toner Cartridge, 6,000*-page Black Extra High Yield Toner Cartridge, 1,000*-page Black Toner Cartridge
Cartridge(s) Shipping with Product	2,500*-page Black Return Program Toner Cartridge, 2,000*-page Color (CMY) Return Program Toner Cartridges	
Copying		
Copy Speed (A4, Black): Up to	20 cpm	23 cpm
Copy Speed (Letter, Black): Up to	21 cpm	25 cpm
Copy Speed (Letter, Color): Up to	21 cpm	25 cpm
Scanning		
ADF Scan	Simplex	RADF (reversing Duplex)
Scanning Resolution	600 X 600 dpi	
Reduce / Enlarge Range	25 - 400 %	
Faxing		
Modem Speed	33.6 Kbps	
Paper Handling		
Paper Handling Standard	150-Sheet Output Bin, Integrated Duplex, Single Sheet Manual Feed, 250-Sheet Input Tray	150-Sheet Output Bin, Single Sheet Manual Feed, 250-Sheet Input Tray
Paper Handling Optional	550-Sheet Duo Drawer with 100-Sheet Feeder	
Paper Input Capacity, Standard	250+1 pages 20 lb or 75 gsm bond	
Paper Input Capacity, Maximum	900 +1 pages 20 lb or 75 gsm bond	
Paper Output Capacity, Standard	150 pages 20 lb or 75 gsm bond	
Paper Output Capacity, Maximum	150 pages 20 lb or 75 gsm bond	
ADF Paper Input Capacity : Up to	50 pages 20 lb or 75 gsm bond	
Media Types Supported	Card Stock, Paper Labels, Plain Paper, Transparencies, Refer to the Card Stock & Label Guide	
Media Sizes Supported	A4, A5, Executive, Folio, JIS-B5, Legal, Letter, Universal, Oficio	
Compatibility		
Network Protocol Support	TCP/IP IPv4, AppleTalk™, TCP/IP IPv6, TCP, UDP	
Printer Languages (Standard)	PCL 5c Emulation, PCL 6 Emulation, Personal Printer Data Stream (PPDS), PostScript 3 Emulation, PDF 1.6	PCL 5c Emulation, PCL 6 Emulation, Personal Printer Data Stream (PPDS), PostScript 3 Emulation, PDF 1.6, Direct Image
Standard Ports	Ethernet 10/100BaseTX (RJ-45), USB 2.0 Specification Hi-Speed Certified	Ethernet 10/100BaseTX (RJ-45), USB 2.0 Specification Hi-Speed Certified, PictBridge Certified Port, Front USB port Compatible with USB 2.0 Specification (Type A)
Microsoft Windows Operating Systems Supported	2000, XP, Server 2003, XP x64, Server 2003 running Terminal Services, 2000 Server running Terminal Services, Server 2003 x64, Server 2003 x64 running Terminal Services, Vista, Vista x64, Server 2008, Server 2008 x64, Server 2008 running Terminal Services, Server 2008 x64 running Terminal Services	
Apple Macintosh Operating Systems Supported	Mac OS X, Mac OS 9.x	
General		
Function	Color Copying, Color Printing, Network Scanning	Color Copying, Color Faxing, Color Printing, Color Scanning, Network Scanning
Product Warranty	1-Year Onsite Service, Next Business Day	
Product Certifications	www.lexmark.com	
Size (in. - H x W x D)	18.23 x 17.32 x 21.14 in.	
Weight (lb.)	60 lb.	
Specified Operating Environment	Temperature: 16 to 32°C (60 to 90°F), Humidity: 8 to 80% Relative Humidity, Altitude: 0 - 3048 Meters (10,000 Feet)	

Maximum Monthly Duty Cycle

«Maximum Monthly Duty Cycle» is defined as the maximum number of pages a device could deliver in a month. This metric provides a comparison of robustness in relation to other Lexmark printers and MFPS.

Recommended Monthly Page Volume

«Recommended Monthly Page Volume» is a range of pages that helps customers evaluate Lexmark's product offerings based on the average number of pages customers plan to print on the device each month. Lexmark recommends that the number of pages per month be within the stated range for optimum device performance, based on factors including: supplies replacement intervals, paper loading intervals, speed, and typical customer usage.

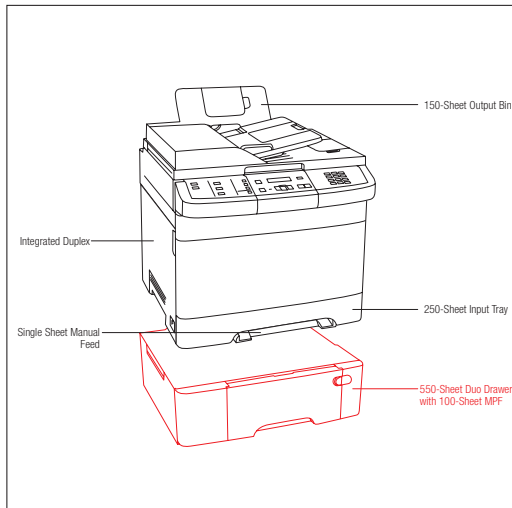
License/Agreement Terms

Printers are sold subject to certain license/agreement conditions. See www.lexmark.com/printerlicense for details.

Trademarks

Lexmark and Lexmark with the diamond design are trademarks of Lexmark International, Inc., registered in the United States and/or other countries. All other trademarks are the property of their respective owners. PCL is a registered trademark of Hewlett-Packard Company, AppleTalk, Mac and Macintosh are trademarks of Apple Computer, Inc., registered in the United States and other countries. MarkNet and MarkVision are trademarks of Lexmark International, Inc., registered in the United States and/or other countries. The USB-IF logos are trademarks of Universal Serial Bus Implementers Forum, Inc. ENERGY STAR® is a U.S. registered mark. Microsoft, Windows, the Windows logo, Windows Vista, and the Windows Vista logo are trademarks or registered trademarks of Microsoft Corporation in the United States and/or other countries. Citrix, MetaFrame and MetaFrame XP are registered trademarks or trademarks of Citrix Systems, Inc. in the U.S. and other countries. Information in this document is subject to change without notice.

Lexmark X543dn



■ Paper Handling Standard
■ Paper Handling Optional

Part #	Model
3001385	Lexmark X543dn
Part #	Laser Toner/Print Cartridge
C540H1KG	Black High Yield Return Program Toner Cartridge
C540H1CG	Cyan High Yield Return Program Toner Cartridge
C540H1MG	Magenta High Yield Return Program Toner Cartridge
C540H1YG	Yellow High Yield Return Program Toner Cartridge
C540A1KG	Black Return Program Toner Cartridge
C540A1CG	Cyan Return Program Toner Cartridge
C540A1MG	Magenta Return Program Toner Cartridge
C540A1YG	Yellow Return Program Toner Cartridge
C540H2KG	Black High Yield Toner Cartridge
C540H2CG	Cyan High Yield Toner Cartridge
C540H2MG	Magenta High Yield Toner Cartridge
C540H2YG	Yellow High Yield Toner Cartridge
C540X75G	Waste Toner Bottle
C540X71G	Black Imaging Kit
C540X74G	Black and Color Imaging Kit

Part #	Paper & Transparencies
12A5950	Glossy Laser Paper, Letter (200 sheets)
12A8240	Professional Color Laser Transparencies, Letter

Part #	Paper Handling
3000551	550-Sheet Duo Drawer with 100-Sheet MPF

Part #	Memory Options
1022298	128MB DDR1-DRAM
1022299	256MB DDR1-DRAM
1022301	512MB DDR1-DRAM
1021209	64MB Flash Card
3060828	Japanese Font Card
3060825	Korean Font Card

Part #	Connectivity
1021294	USB (2 Meter) Cable
14T0145	Lexmark N4050e 802.11g Wireless Print Server
14T0220	MarkNet™ N7020e Gigabit Ethernet Print Server

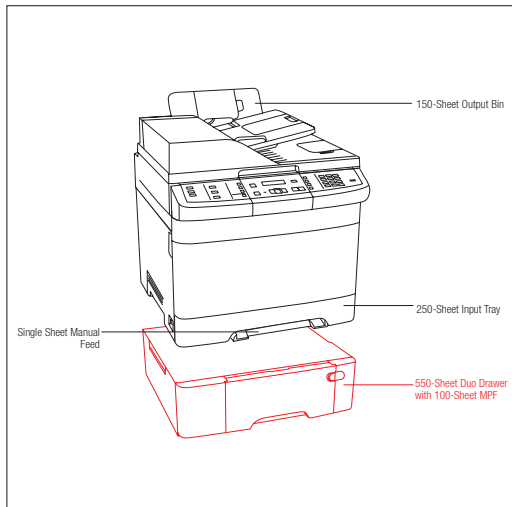
Part #	Extended Warranties
2350503	2-Years Total Onsite Service, Next Business Day
2350504	3-Years Total Onsite Service, Next Business Day
2350507	1-Year Onsite Service Renewal, Next Business Day

Part #	User Replaceable Parts
40X5472	ADF Separator Pad

In the box

Lexmark X543dn Multifunction Color Laser, up to 2,000*-page color High Yield Return Program Toner Cartridges (CMY), up to 2,500*-page black High Yield Return Program Toner Cartridge, software and documentation CD, power cord(s), RJ-11 phone cable or adapter (country dependent), setup guides (network and local attachment), Lexmark Rewards brochure, Lexmark Cartridge Collection Program information, Statement of Limited Warranty, operator panel language overlays

Lexmark X544n



■ Paper Handling Standard
■ Paper Handling Optional

Part #	Model
3044503	Lexmark X544n

Part #	Laser Toner/Print Cartridge
C544X1KG	Black Extra High Yield Return Program Toner Cartridge
C544X1CG	Cyan Extra High Yield Return Program Toner Cartridge
C544X1MG	Magenta Extra High Yield Return Program Toner Cartridge
C544X1YG	Yellow Extra High Yield Return Program Toner Cartridge
C540H1KG	Black High Yield Return Program Toner Cartridge
C540H1CG	Cyan High Yield Return Program Toner Cartridge
C540H1MG	Magenta High Yield Return Program Toner Cartridge
C540H1YG	Yellow High Yield Return Program Toner Cartridge
C540A1KG	Black Return Program Toner Cartridge
C540A1CG	Cyan Return Program Toner Cartridge
C540A1MG	Magenta Return Program Toner Cartridge
C540A1YG	Yellow Return Program Toner Cartridge
C544X2KG	Black Extra High Yield Toner Cartridge
C544X2CG	Cyan Extra High Yield Toner Cartridge
C544X2MG	Magenta Extra High Yield Toner Cartridge
C544X2YG	Yellow Extra High Yield Toner Cartridge
C540H2KG	Black High Yield Toner Cartridge
C540H2CG	Cyan High Yield Toner Cartridge
C540H2MG	Magenta High Yield Toner Cartridge
C540H2YG	Yellow High Yield Toner Cartridge
C540X75G	Waste Toner Bottle
C540X71G	Black Imaging Kit
C540X74G	Black and Color Imaging Kit

Part #	Paper & Transparencies
12A5950	Glossy Laser Paper, Letter (200 sheets)
12A8240	Professional Color Laser Transparencies, Letter

Part #	Paper Handling
3000551	550-Sheet Duo Drawer with 100-Sheet MPF

Part #	Memory Options
1022298	128MB DDR1-DRAM
1022299	256MB DDR1-DRAM
1022301	512MB DDR1-DRAM
1021209	64MB Flash Card
3060828	Japanese Font Card
3060825	Korean Font Card

Part #	Connectivity
1021294	USB (2 Meter) Cable

14T0145	Lexmark N4050e 802.11g Wireless Print Server
14T0220	MarkNet™ N7020e Gigabit Ethernet Print Server

Part #	Extended Warranties
2350521	2-Years Total Onsite Service, Next Business Day
2350522	3-Years Total Onsite Service, Next Business Day
2350525	1-Year Onsite Service Renewal, Next Business Day

Part #	User Replaceable Parts
40X5472	ADF Separator Pad
40X5535	X544 Scanner Cover Cushion
40X5470	ADF Paper Tray
40X5484	Output Bin Extension
40X5168	Pick Tire

Models available

Lexmark X544n: Network ready, Part #3044503
Lexmark X544dn: Network ready plus duplex, Part #3001389
Lexmark X544dtn: Network ready with duplex plus extra input drawer, Part #26C0300
Lexmark X544dvw: Duplex with built-in wireless, Part #26C0400

In the box

Lexmark X544n Multifunction Color Laser, up to 2,000*-page color High Yield Return Program Toner Cartridges (CMY), up to 2,500*-page black High Yield Return Program Toner Cartridge, software and documentation CD, power cord(s), RJ-11 phone cable or adapter (country dependent), setup guides (network and local attachment), Lexmark Rewards brochure, Lexmark Cartridge Collection Program information, operator panel language overlays, Statement of Limited Warranty

Lexmark's guarantee to you

At Lexmark, we're always working hard to ensure you achieve maximum productivity and minimum downtime. For greater level of peace of mind, you can opt for one of our Lexmark service offerings detailed on www.lexmark.com/services.



Environmental commitment

Lexmark believes that the environment is a critical component of responsible business management and clearly demonstrates it by implementing the "4R" strategy: Reduce, Recover, Reuse and Recycle. To learn more about these programs please visit www.lexmark.com/recycle.

Cost-saving and environmental features

- Energy Star compliant
- Duplex printing, Print and Hold (verify print), multi-up printing and support for recycled paper help reduce paper consumption.
- Selectable toner-saving modes help reduce the amount of toner used on a page.
- Lexmark Cartridge Collection Program and end-of-life product recycling help reduce waste.



