

Printing

Paper handling

Maintenance

Troubleshooting

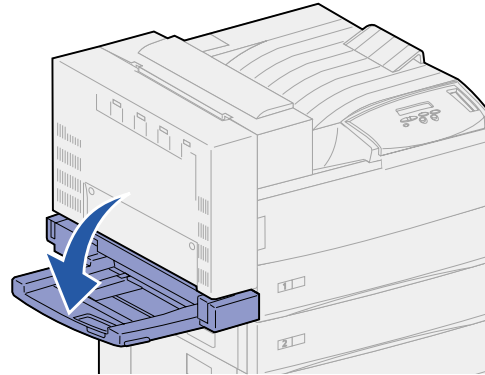
Administration

Index

The multipurpose feeder holds approximately 35 sheets of 20 lb paper.

**Note:** You can load the multipurpose feeder with or without the duplex unit attached to the printer.

- 1 Open the multipurpose feeder.



Printing

Paper handling

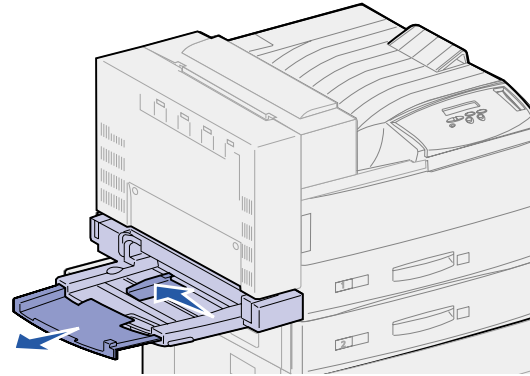
Maintenance

Troubleshooting

Administration

Index

- 2 Slide the side guide all the way to the back.
- 3 Adjust the extension guide to the length of the print media to be used.



Printing

Paper handling

Maintenance

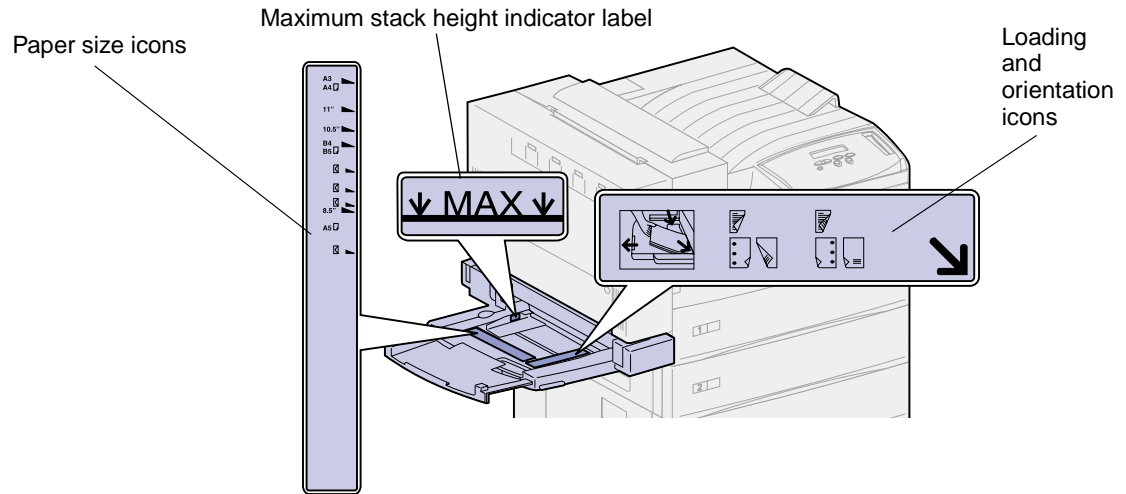
Troubleshooting

Administration

Index

- 4 Orient the stack of print media correctly for the size, type, and print method you are loading. Refer to the icons on the feeder.

**Note:** Do not exceed the maximum stack height indicated on the side guide. Overfilling the feeder may cause paper jams.



Printing

Paper handling

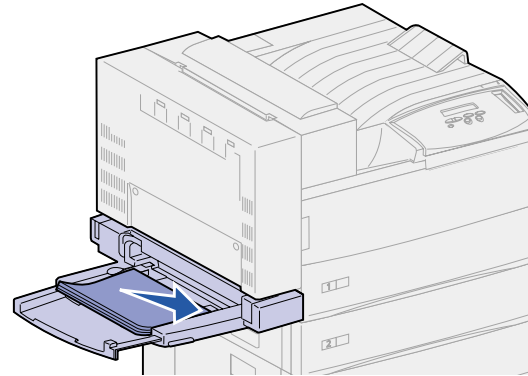
Maintenance

Troubleshooting

Administration

Index

- 5 Place the print media along the front side of the multipurpose feeder and push the print media into the printer as far as it will go. Do not force the print media.



Printing

Paper handling

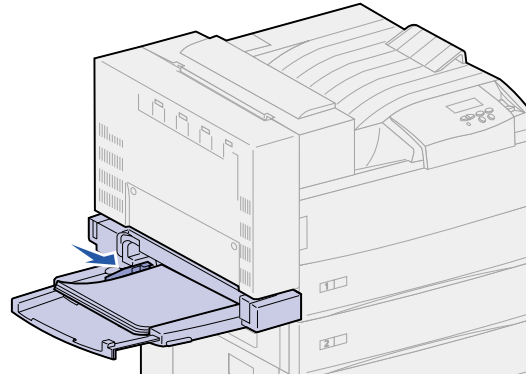
Maintenance

Troubleshooting

Administration

Index

- Slide the side guide forward until it lightly touches the stack.



**Note:** Once you load print media into the multipurpose feeder, set the **Paper Size**, **Paper Type**, and **Paper Source** from the operator panel or from your software application.

When you are not using the multipurpose feeder, remove any print media from the feeder, push the extension guide back in, and push the multipurpose feeder to the closed position. ▲