



QUICK START GUIDE

2.4 GHz Corded Cordless Telephone with Caller ID/Call Waiting 1485/1185

INSTALLATION

Table/Desk Installation

NOTE: Install this telephone away from electronic equipment, such as personal computers, television sets or microwave ovens. Avoid excessive heat, cold, dust or moisture.

- 1 Connect the corded handset to the base.
- 2 Connect the telephone line cord. (figure a)
- 3 Connect the power cord to the base and an electrical outlet not controlled by a wall switch. (figure a) The answer ON/OFF light goes on, and CL flashes in the message window.

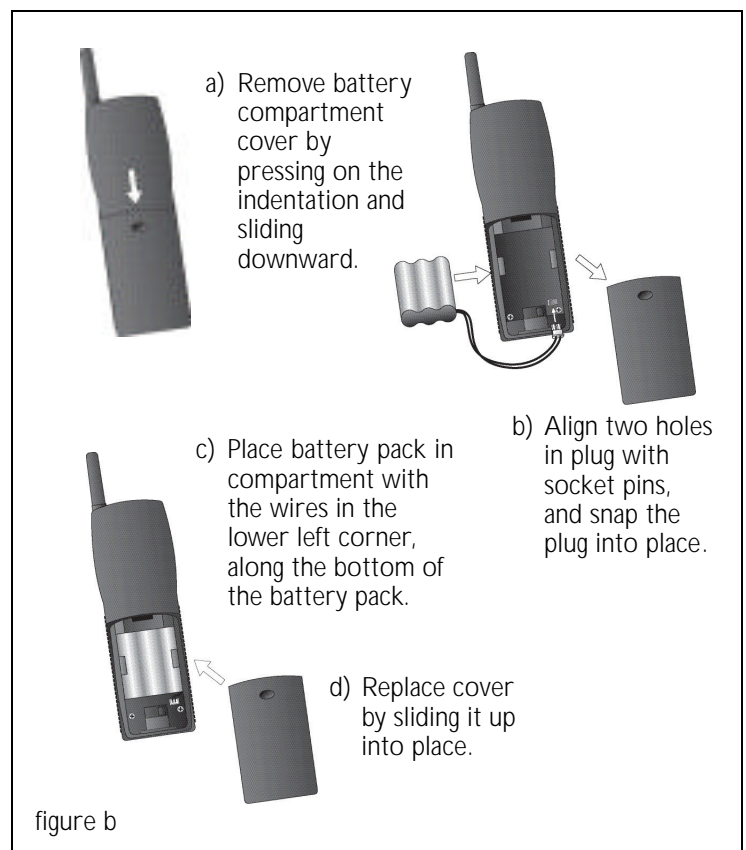
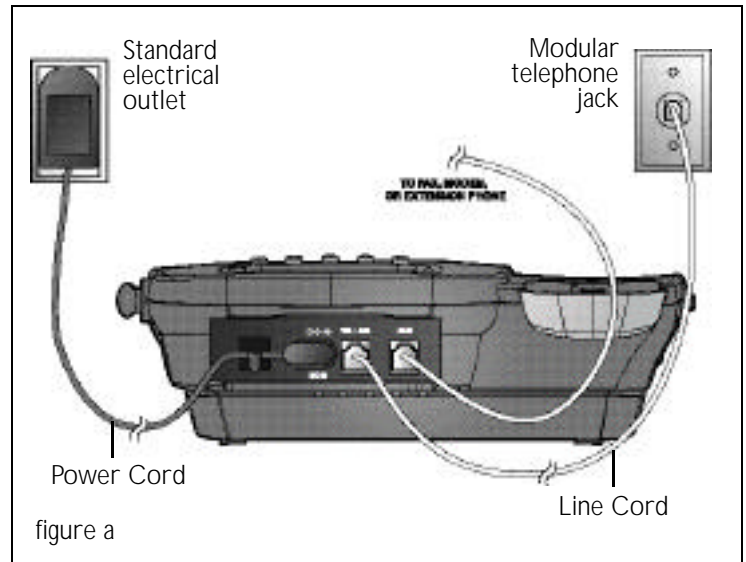
! Use only the power cord supplied with this product. If you need a replacement, call 1-800-222-3111.

- 4 Check for dial tone.
 - Lift the handset, you should hear a dial tone.

NOTE: For Wall Mount Installation see page 5 in the User Manual.

Handset Charger Installation

- 1 Connect the power cord. Be sure to plug the cord into an electrical outlet not controlled by a wall switch.
- 2 Install the handset battery. Use NiCd Replacement Battery 3301, SKU# 91076. (figure b)
- 3 Charge the handset battery.
 - Place the handset in the remote charging stand. The CHARGING light goes on.
 - Charge the battery at least 12 hours.
- 4 Check for dial tone.
 - After the batteries are charged, lift the handset and press **[PAUSE]**; you should hear a dial tone.



FEATURE SETUP

Set the time and date displayed on handset screen

If you subscribe to Caller ID service, the date and time will be set automatically with the first incoming call.

If you do not have Caller ID service, you can set the date and time manually.

- Press **PROG/CHAN**, then press **▶** until **DATE/TIME** is displayed. Press **SET**.
- The month is flashing. Use **◀** or **▶** to select the current month. Press **SET**.
- The day is flashing. Use **◀** or **▶** to select the correct day. Press **SET**.
- The hour is flashing. Use **◀** or **▶** to select the current hour. Press **SET**.
- The minute is flashing. Use **◀** or **▶** to select the correct minute. Press **SET**.
- **AM** or **PM** is flashing. Use **◀** or **▶** to choose between **AM** and **PM**. Press **SET**.

Set the phone for tone or pulse dialing (base only)

- Press **BASE** on base.
- Press **◀** or **▶** until **DIAL MODE:** and the current setting is displayed, then press **SELECT**.
- Use **◀** or **▶** to select the correct setting.
- Press **SELECT** to save the setting.

Set the language

- Press **BASE** on the base or **PROG/CHAN** on the handset.
- Press **◀** or **▶** until **LANGUAGE** is displayed.
- Press **SELECT**, the current setting is flashing.
- Use **◀** or **▶** to select **ESPAÑOL**, **FRENCH** or **ENGLISH**.
- Press **SELECT** to save the setting.

Answering System

Press **ANSWER** to turn the system on or off. When the system is on, you will hear "Machine on" and the ON/OFF light will be lit.

If you turn the system on at the first time, it works using the default setting and pre-recorded outgoing announcements. For details on recording your own outgoing announcements and changing system settings, see "ANSWERING SYSTEM OPERATION AT THE BASE" starting on page 24 of your User's Manual.

Set the Clock

- 1 Make sure the answering system is on.
- 2 Press **TIME SET**. The system announces the clock setting then announces: "To change clock, press **TIME SET**."
- 3 Press **TIME SET**.
- 4 Press **CHANGE** until the system announces the correct day, then press **TIME SET**.
- 5 Press **CHANGE** until the system announces the correct hour, then press **TIME SET**.
- 6 Press **CHANGE** until the system announces the correct minutes, then press **TIME SET**.
- 7 Press **CHANGE** until the system announces the correct years, then press **TIME SET**. The system announces the current clock setting.

⊙ **NOTE:** You can choose to set the day and time manually, or you can allow it to be set automatically with incoming Caller ID Information.

⊙ **NOTE:** Press and hold **CHANGE** to advance the minute or the year by 10.

⊙ **NOTE:** The selection of the year is from 2000 to 2039.

Record Your Announcement

⊙ **NOTE:** For complete details about recording announcements, see "Record Your Announcement" in the ANSWERING SYSTEM OPERATION section of your User's Manual.

- 1 With the system set for the desired answer mode (normal or Announce Only) press **ANSWER** until you hear "Change announcement."
- 2 Press **RECORDING**. After you hear "Now recording" followed by a beep, speak toward the base to record an announcement up to 90 seconds long.
- 3 Press any MAILBOX/STOP button to stop recording. The system plays back your recorded message.

