



INSTALLATION INSTRUCTIONS V90094

CONTINUOUS CHANNEL SERIES

Model: Multi-Trimmed Adjustable Downlight



Avoid Fire or Electric Shock

- *Installation Instructions for qualified electricians only.
- *Install per National Electrical Code and local regulations.
- *Read Installation Instructions completely before installation.
- *Failure to follow Installation Instructions may void warranties.



Housing Connection

1. Locate Trimmed Extrusion on all Housings. See Fig. 1.
2. Carefully lift Corner Trimmed Extrusion at each end of Housing to release Retainer Clips (See Fig. 4).
3. Continue lifting Trimmed Extrusion towards center of Housing to release all Retainer Clips.
4. Remove Trimmed Extrusion from Housings and set aside for reinstallation later.

NOTE: Alpha-numeric coded Housing labels match coded labels on Trimmed Extrusion. Trimmed Extrusion **MUST** be reattached to the associated Housing for best fit.

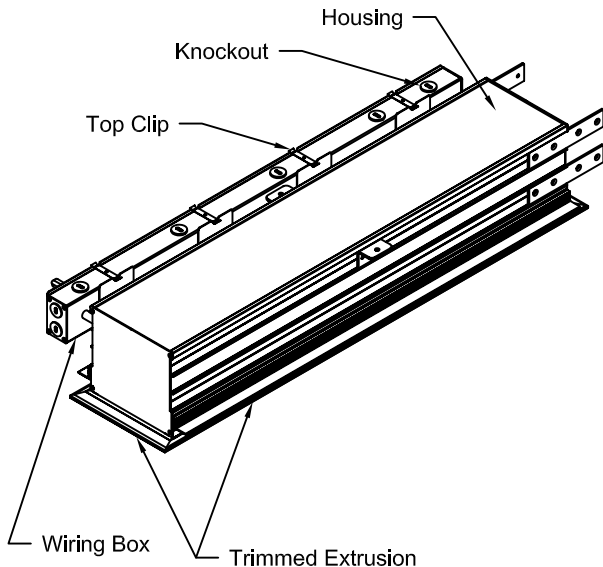


Figure 1
(Single Left Hand Section Shown)

Housing Connection (Con't)

2 SECTIONS:

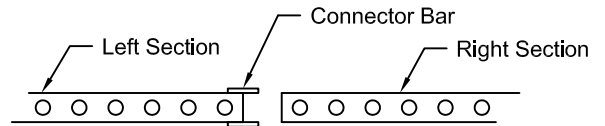
5. Align Left Section with Right Section by alpha-numeric code. See Fig. 2.
6. Align Connector Bar and Mating Section Holes. See Fig. 3.
7. Secure Sections together using #10 Flathead Screws at Connector Bars on each side of Sections.

3 SECTIONS:

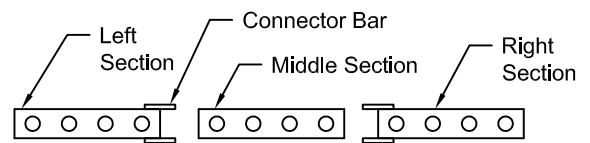
5. Locate Right, Left and Middle Sections by alpha-numeric code.
6. Align Right Section, Left Section, and Middle Section. See Fig. 2.
7. Align Connector Bar and Mating Section Holes. See Fig. 3.

NOTE: Connector Bars may be staggered to insure alignment with correct mating Section.

8. Secure Sections together using #10 Flathead Screws at Connector Bars on each side of Sections.



2 SECTION



3 SECTION

Figure 2

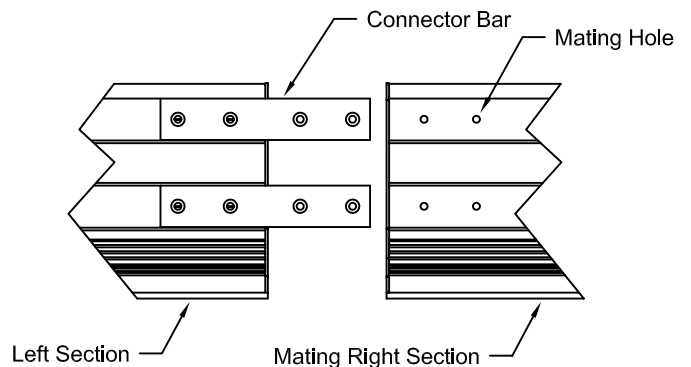


Figure 3

Visit our web site at: www.rsalighting.com



INSTALLATION INSTRUCTIONS V90094

CONTINUOUS CHANNEL SERIES

Model: Multi-Trimmed Adjustable Downlight



Fixture Mounting

1. Hang Housing(s) from Hanger Brackets located on sides of Fixture(s) using 1/4-20 Screw. See Fig. 1 and Fig. 3.
2. Adjust elevation of Housing so that Adjustable Extrusion Frame (set to 5/8" thickness at factory) will sit on top of installed Drywall and bottom of Housing walls match bottom of Drywall surface. See Fig. 4.
3. Install Drywall to edge of Housing. See Fig. 4.
4. Reinstall Trimmed Extrusion Frame matching alpha-numeric code on to code on Housing.

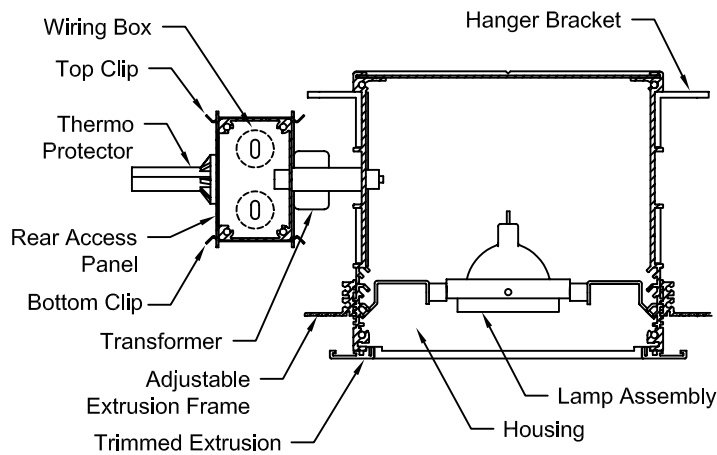


Figure 3

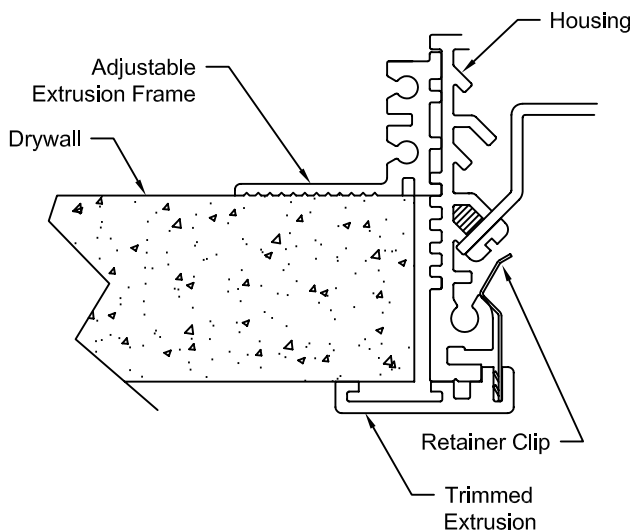


Figure 4

Transformer Access

1. Locate Transformer Access Door behind each Lamp Assembly. See Fig. 5.
2. Remove Lamp Gimbals as necessary to reach Transformer Access Door.
3. Remove Two (2) Knurled Knobs at each side of Access Door.
4. Remove Transformer Access Door to access Transformer mounted to outside of Wiring Box.

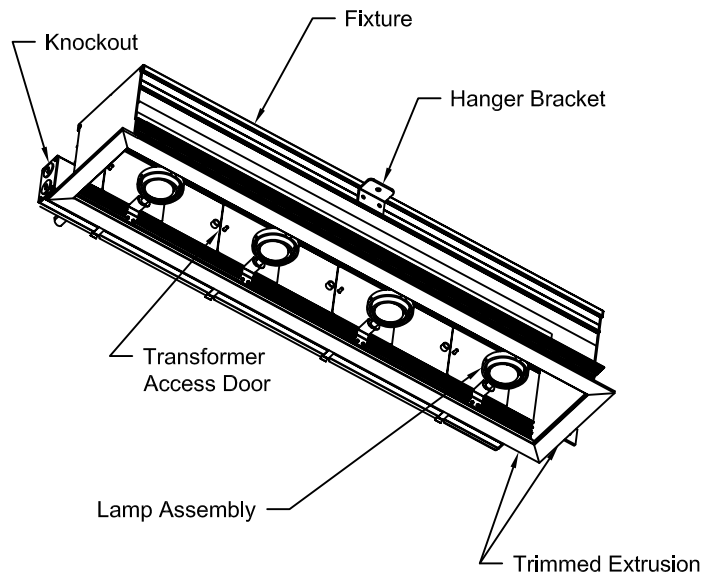


Figure 5

Electrical Wiring

1. Turn OFF Electrical Service.
2. Connect Wiring Box to Electrical Service using Knockouts located at each end of Wiring Box and Knockout along top of Wiring Box as needed. See Fig. 1.
3. To remove Rear Access Panel(s) for inspection, lift Clips at Top and Bottom of Wiring Box. See Fig. 1 & Fig. 3.