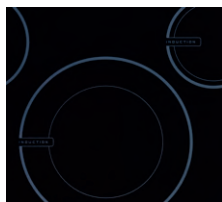


# Induction Hybrid Cooktops

EW30CC55G S, EW30CC55G W, EW30CC55G B



### 10" and 6" Induction Elements

Boil water in 90 seconds with the 10" induction element, which offers 3,200 watts of power.



### Power Assist™ Function

Generates rapid heat for a quick boil.



### More Responsive

Induction is more responsive than a gas cooktop – you can instantly adjust the heat to a delicate simmer or bring to a quick boil.



### Cookware Compatibility

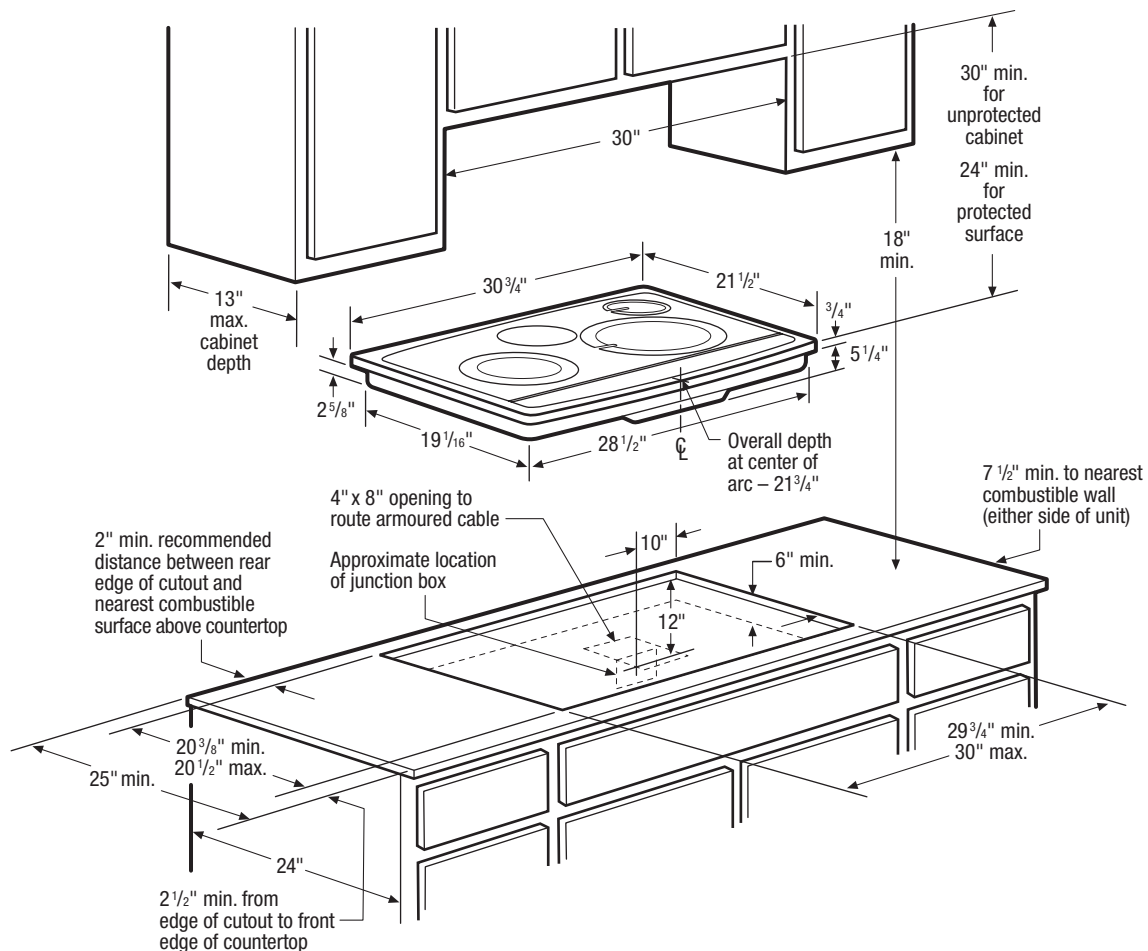
Electrolux induction hybrid cooktops include a combination of electric elements that are compatible with all cookware, and induction elements that are compatible with most cookware — if a magnet sticks to the bottom of the pot or pan, it will work.

### 30" INDUCTION HYBRID DROP-IN COOKTOPS

Sabbath Mode (Star-K® Certified)	Yes
<b>Features</b>	
Perfect Set™ Electronic Touch Controls	Yes
Ceramic Smoothtop Glass Surface	Yes
6" to 9" Dual Expandable Element – 1600W/3000W	1
6" Electric Element – 1200W	1
10" Induction Cooking Element – 2400W/3200W	1
6" Induction Cooking Element – 1200W/1500W	1
Hot-Surface Indicator Lights	Yes
Sealed Spill Control Cooktop	Yes
<b>Accessories</b>	
Cleaning Sponge	Included
<b>Specifications</b>	
Overall Exterior Dimensions –	
Height (Extreme Bottom to Underside of Cooktop)	5-1/4"
(Extreme Bottom to Topside of Cooktop)	6"
Width	30-3/4"
Depth (to Front Corner)	21-1/2"
(to Center of Arc)	21-3/4"
Power Supply Connection Location	Right Center Rear
Connected Load (kW Rating) @ 240/208 Volts	8.1/7.1
Amps @ 240/208 Volts	33.8/ 34.1
Minimum Circuit Required (Amps)	40
Electrical – Single phase 4-wire cable, 120/ 240 Volts or 120/208 Volts, 60 Hz, fused on both sides of line with ground.	Required
Armored Electrical Cable	Included
Approved for Single Oven Combination Installation*	Yes
Product Weight	54 Lbs.
Shipping Weight	62 Lbs.

NOTE: Always consult local and/or national electric codes. Refer to Product Installation Guide for detailed installation instructions on the web at [www.electroluxappliances.com](http://www.electroluxappliances.com). Specifications subject to change.

\*Approved to be used over any Electrolux Single Wall Oven.



## 30" Induction Hybrid Drop-In Cooktop Specifications

- Product Weight – 54 Lbs.
- Single phase 3- or 4-wire cable, 120/240 or 120/208 Volt, 60 Hertz, fused on both sides of line with ground.
- Connected Load (kW Rating) @ 240/208 Volts = 8.1/7.1 kW
- Amps @ 240/208 Volts = 33.8/34.1 Amps
- Recommended Circuit Breaker – 40 Amps
- Always consult local and/or national electric codes.
- Allow 2" space below armoured cable opening to clear electrical cable and allow space for installation of junction box on wall at back of cooktop.
- Overhead cabinetry should not exceed a 13" maximum depth.
- Allow 30" minimum clearance between top of cooktop and bottom of unprotected wood or metal overhead cabinetry.
- Absolute minimum horizontal distance between overhead cabinets installed to either side of appliance must be no less than maximum width of appliance.
- Allow 24" minimum clearance when bottom of wood or metal overhead cabinet is protected by not less than 1/8" flame-retardant millboard covered with not less than No. 28 MGS sheet steel, 0.015" stainless steel, 0.024" aluminum or 0.020" copper.
- Allow 2" minimum clearance between rear edge of cutout and nearest combustible surface above countertop.
- Allow 7-1/2" minimum clearance from edge of cooktop to nearest combustible wall on either side of unit.
- It is recommended that drawers not be used beneath cooktop.
- To reduce risk of fire when using overhead cabinetry, install range hood that projects horizontally a recommended minimum of 5" beyond bottom of cabinets.
- Induction Hybrid Drop-In Cooktop model EW30CC55G is approved to be used over any Electrolux Single Wall Oven.

**Note:** For planning purposes only. Refer to Product Installation Guide on the web at [electroluxappliances.com](http://electroluxappliances.com) for detailed instructions.