

ZANUSSI

MIXED FUEL COOKER

ZCM 600

ZCM 610

INSTRUCTION BOOKLET

Please read this instruction booklet before using the appliance

GB

Important Safety Information



You **MUST** read these warnings carefully before installing or using the hob. If you need assistance, contact our Customer Care Department on 08705 727727

Installation

- This cooker must be installed by qualified personnel, according to the manufacturer's instructions and to the relevant British Standards.
- This cooker is heavy. Take care when moving it.
- Any gas installation must be carried out by a registered CORGI installer.
- Remove all packaging before using the cooker.
- Ensure that the gas and electrical supply complies with the type stated on the rating plate, located near the gas supply pipe.
- Do not attempt to modify the cooker in any way.
- Never use plastic dishes in the oven or on the hob burners. Never line any part of the oven with aluminium foil.
- Always ensure that the oven vent which is located at the centre back of the hob is left unobstructed to ensure ventilation of the oven cavity.
- Perishable food, plastic items and aerosols may be affected by heat and should not be stored above the cooker.

Child Safety

- This cooker is designed to be operated by adults. Do not allow children to play near or with the cooker.
- The cooker gets hot when it is in use. Children should be kept away until it has cooled.
- Children can also injure themselves by pulling pans or pots off the cooker.

During Use

- This cooker is intended for domestic cooking only. It is not designed for commercial or industrial purposes.
- When in use a gas cooker will produce heat and moisture in the room in which it has been installed. Ensure there is a continuous air supply, keeping air vents in good condition or installing a cooker hood with a venting hose.
- When using the cooker for a long period of time, the ventilation should be improved, by opening a window or increasing the extractor speed.
- Do not use this cooker if it is in contact with water. Do not operate the cooker with wet hands.
- Ensure the control knobs are in the 'OFF' position when not in use.
- When using other electrical appliances, ensure the cable does not come into contact with the hot surfaces of the cooker.
- Unstable or misshapen pans should not be used on the hob burners as unstable pans can cause an accident by tipping or spillage.
- Never leave the cooker unattended when cooking with oil and fats.
- This cooker should be kept clean at all times. A build-up of fats or foodstuffs could result in a fire.

Service

- This cooker should only be repaired or serviced by an authorised Service Engineer and only genuine approved spare parts should be used.

Environmental Information

- After installation, please dispose of the packaging with due regard to safety and the environment.
- When disposing of an old appliance, make it unusable, by cutting off the cable.

Keep this instruction book for future reference and ensure it is passed on to any new owner.

Contents

For the User

Important Safety Information	2
Guide to Use the instructions	3
Description of the Cooker	4
Control Panel	5
Before the First Use of the Cooker	6
Controls	6
Electric Oven	7
24 Hour Clock and Timer	8
Using the Oven	10
Using the Fan Oven	11
Hints and Tips	12
Defrosting	13
Grilling	14
Maintenance and Cleaning	15
Cleaning the Oven	16
Something not working	18
Service and Spare Parts	18
Guarantee Conditions	19

For the Installer

Instructions for the Installer	22
Important Safety Requirements	22
Installation	23
Electrical connections	25
Commissioning	26
Conversion from Natural Gas to LPG	27

Guide to Use the instructions

The following symbols will be found in the text to guide you throughout the Instructions:



Safety Instructions



Step by step instructions for an operation



Hints and Tips



Environmental Information



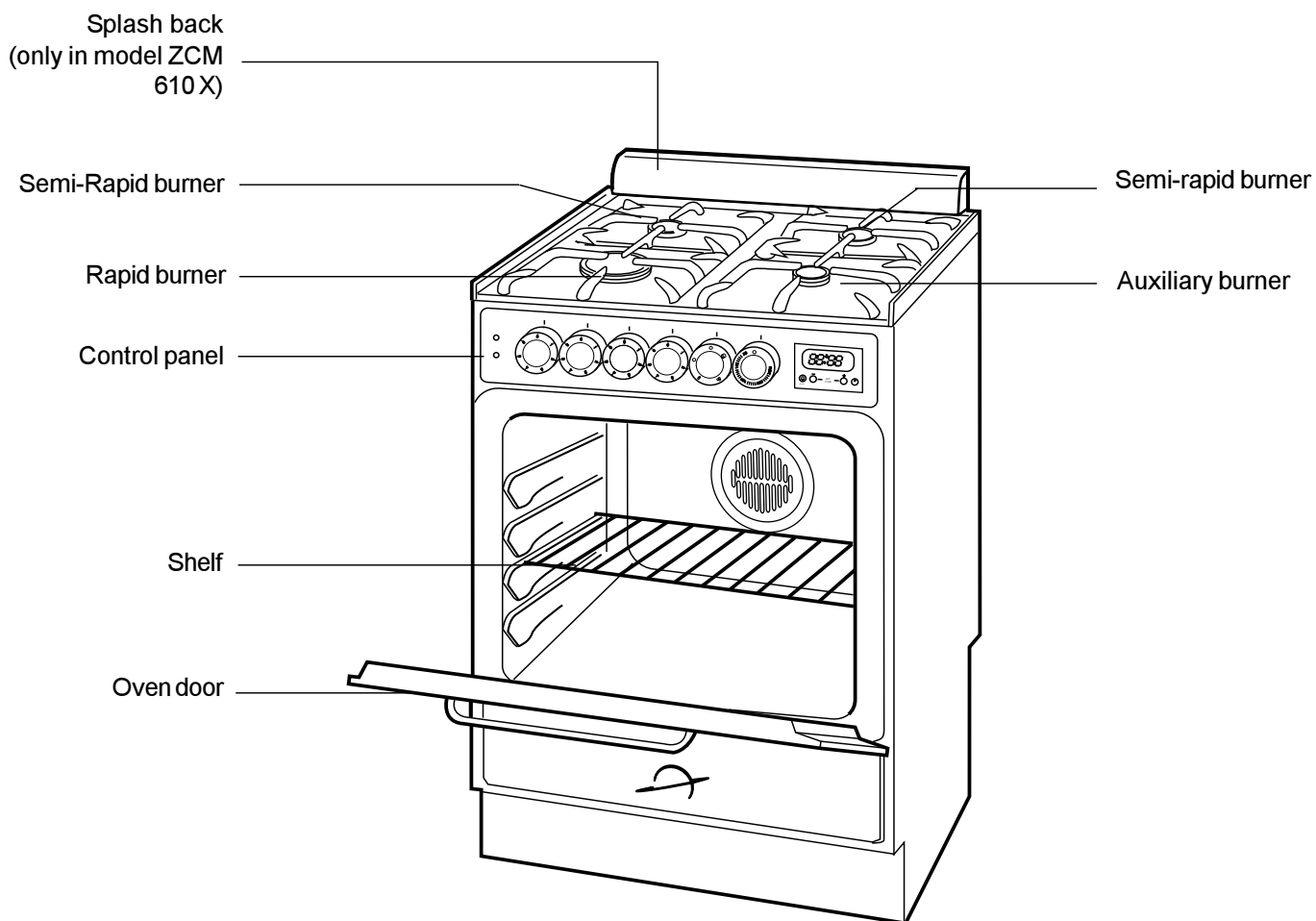
This appliance is manufactured according to the following EEC directives:
73/23 EEC - 90/683 EEC - 93/68 EEC -
89/336 EEC - 90/396 EEC,
current edition.

Oven Door Protection Device

(Stainless steel models only)

All our appliances comply with the European safety standards. Nevertheless, in order to ensure the highest safety level, and avoid small children to be exposed to the heat when the appliance is operated, it is possible to fit a special protection device to the oven door. This device can be purchased in our Service Force Centres, specifying the relevant code (35791) and the Product No. shown on the rating plate.

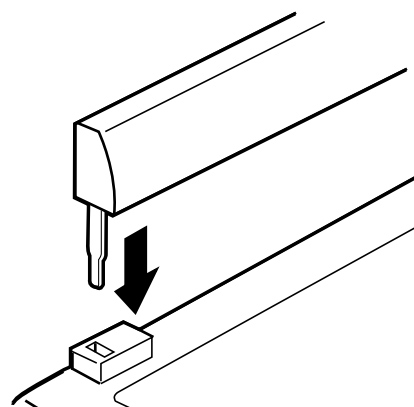
Description of the Cooker



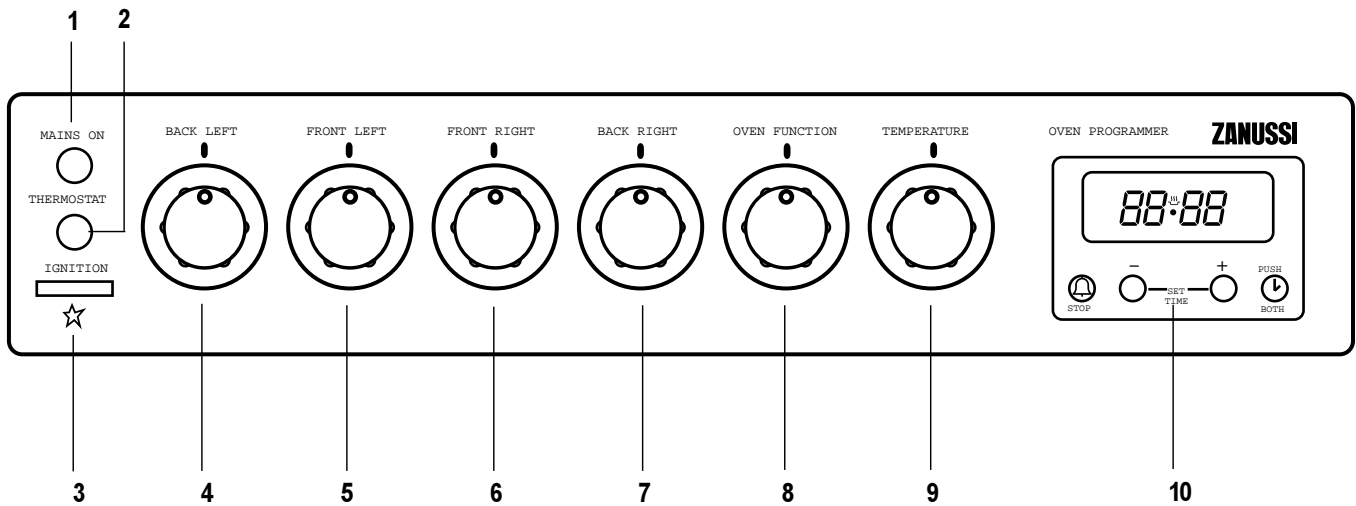
Fitting the Splash back (only in model ZCM 610 X)

A stainless steel splash back is supplied with the appliance. This is meant to be fitted on the rear edge of the cooker's hob. The splash back package is in the oven cavity.

1. Unpack the splash back and dispose of the packaging with due regard to safety and the environment.
2. Slide the two bayonets of the splash back into the relevant supports on the rear edge of the cooker's hob.

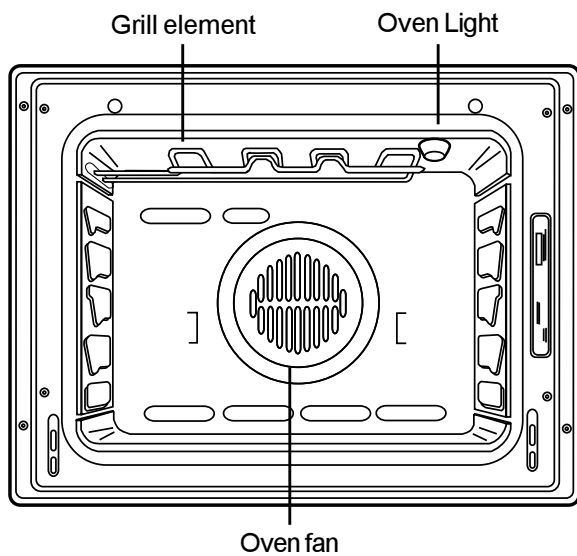


Control Panel

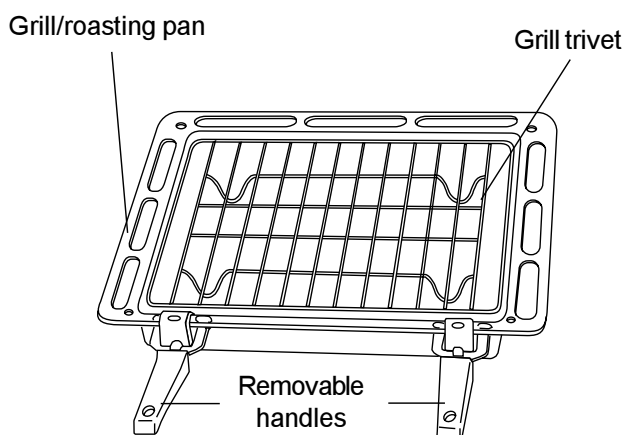


- | | |
|---|---|
| <ol style="list-style-type: none"> 1. Cooker Operation Pilot Light 2. Oven Thermostat Pilot Light 3. Electric ignition push button 4. Back left burner control knob (semi-rapid) 5. Front left burner control knob (rapid) | <ol style="list-style-type: none"> 6. Front right burner control knob (auxiliary) 7. Back right burner control knob (semi-rapid) 8. Oven function control knob 9. Oven thermostat control knob 10. 24 hour clock and Timer |
|---|---|

The Oven Cavity



Accessories



Before the First Use of the Cooker

INSTALLATION



Any gas installation must be carried out by a CORGI registered installer, and in accordance with existing rules and regulations.

The relevant instructions are to be found in the second section of this manual.

Please ensure that when the appliance is installed, it is easily accessible for the engineer in the event of a breakdown.

WHEN THE COOKER IS FIRST INSTALLED





Once the cooker has been installed, it is important to remove any protective materials, which were put on in the factory.



*Remove **all packaging**, both inside and outside the cooker, before using it.*

Before first use, the oven should be heated without food. During this time, an unpleasant odour may be emitted. This is quite normal.

1. Set the electronic timer to manual function.
2. Switch the oven function control knob to fan cooking .
3. Set the thermostat control knob to MAX.
4. Open a window for ventilation.
5. Allow the oven to run empty for approximately 45 minutes.

This procedure should be repeated with the grill  function for approximately 5-10 minutes.

Controls

Hob burners



To light a burner:

- turn the relevant control knob anticlockwise to maximum position.
 - At the same time push the electric ignition button which is marked with a little spark.
 - Then adjust the flame as required.
- If the burner does not ignite, turn the control knob to zero, and try again.



When switching on the mains, after installation or a power cut, it is quite normal for the spark generator to be activated automatically.

If you use a saucepan which is smaller than the recommended size, the flame will spread beyond the bottom of the pan, causing the handle to overheat.



As soon as a liquid starts boiling, turn down the flame so that it will barely keep the liquid simmering.



Take care when frying food in hot oil or fat, as the overheated splashes could easily ignite.





If the control knobs become difficult to turn, please contact your local Zanussi Service Force Centre.

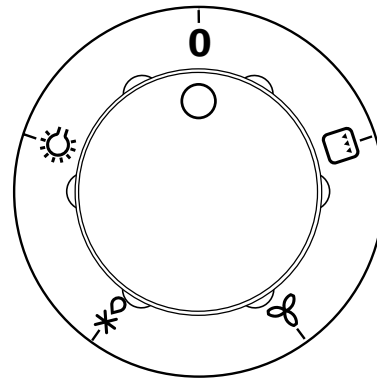
To ensure maximum burner efficiency, you should only use pots and pans with a flat bottom fitting the size of the burner used (see table).

Burner	minimum diameter	maximum diameter
Large (rapid)	180 mm.	260 mm.
Medium (semi-rapid)	120 mm.	220 mm.
Small (Auxiliary)	80 mm.	160 mm.

Electric Oven

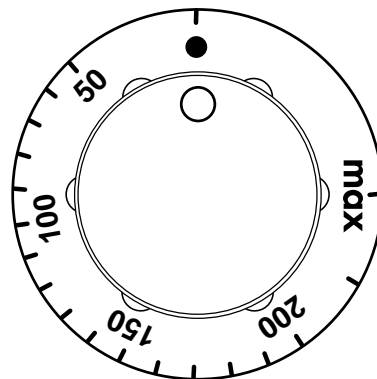
Oven Function Control Knob

-  Oven Light - The oven light will be on without any cooking function
-  Defrost Setting - This setting is intended to assist in thawing of frozen food.
-  Fan cooking - This allows you to roast or roast and bake simultaneously using any shelf, without flavour transference.
-  Grill - The heat comes only from the top element.



Thermostat Control Knob

Turn the thermostat control knob clockwise to select temperatures between 50°C and 250°C (max).



24 Hour Clock and Timer

1. (-) DECREASE CONTROL & TIMER SETTING BUTTON
 2. (+) INCREASE CONTROL
- (🔔) COOKPOT SYMBOL
- (🕒) PUSH BOTH CLOCK SETTING SYMBOL

1. Set the time of day

When the electricity supply is first switched ON, the display will flash **0.00**. See Fig. 1.

Press buttons (1) and (2) together. The display will momentarily read **88.88**. See Fig. 2. Release buttons, **0.00** will appear in the display as Fig. 3. **Within 5 seconds** press button (2), **12.00** will show in the display as Fig. 4.

Within 5 seconds, press and hold either button (1) to decrease or button (2) to increase the time until the correct time of day on the 24 hour clock is reached, e.g. 14.30. See Fig. 5.

NOTE

The increase and decrease control buttons operate slowly at first and then more rapidly. They should be pressed separately.

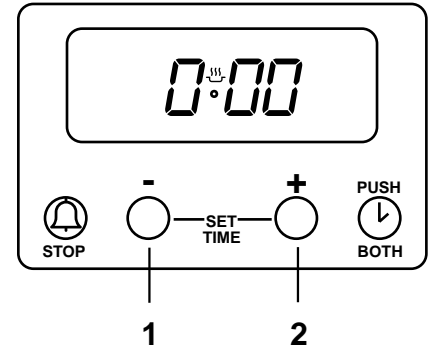


Fig. 1

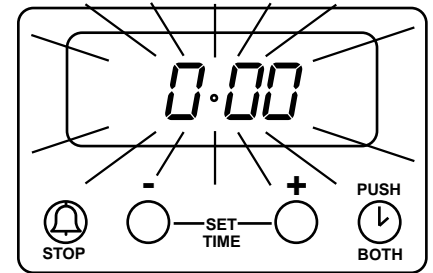


Fig. 2

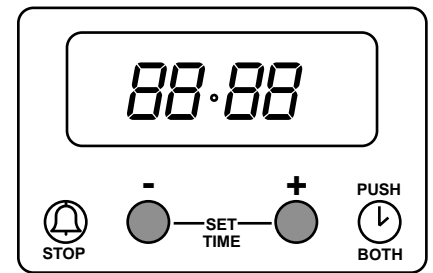


Fig. 3

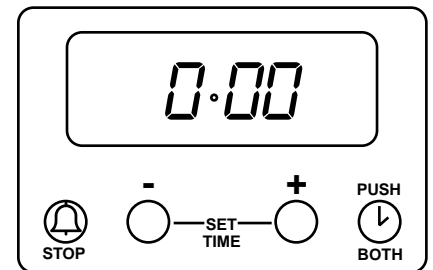


Fig. 4

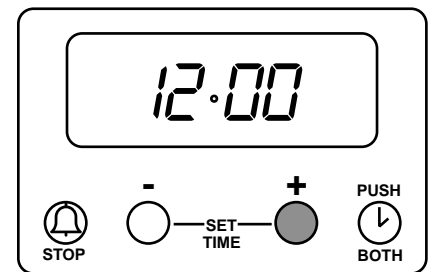


Fig. 5

2. The timer

IMPORTANT

The timer can be used to time a set cooking period. At the end of the cook time the timer will automatically switch off the oven if in use.

The timer gives an audible reminder at the end of any period of cooking up to 23 hours and 59 minutes.

To set, press button (1) and the display will read **0.00**, see Fig. 6.

Release button (1) and press and hold button (2). The display will count up in one minute intervals until the interval to be timed is reached, e.g. 30 minutes, see Fig. 7. If necessary, press and hold button (1) to achieve the correct time interval.

The timer will begin to count down once set. At the end of the timed period, the timer will click, switching the oven OFF if in use.

An audible signal will sound for up to 2 minutes.

The cookpot symbol will flash and the time of day will show in the display. See Fig. 8.

To stop the sound press button (1). The display will stop flashing and show the time of day, e.g. 15.00. The cookpot symbol (👉) will go out. See Fig. 9. If using the oven it will come on again once button (1) has been depressed. When cooking is complete remove food and turn OFF oven temperature control.

3. To cancel the timer

Press and release button (1). Then press and hold button (1) and the display will count down in one minute intervals to **0.00**. See Fig. 10. Release button (1).

After a few seconds the cookpot symbol will flash and the time of day will show in the display. See Fig. 11

If the oven is in use this will switch OFF after a few seconds.

To reset, press button (1) and (2) together. See Fig. 12.

4. Things to note

1. The time of day must be set before the oven will operate. There will be a few seconds delay before the oven switches on.
2. The timer function controls the main oven only and will switch the oven OFF at the end of a timed period. This function is useful if you want to begin cooking now and have the oven switch OFF automatically.
3. If you have used the timer to time food cooking in the oven you will need to reset the timer before the oven can operate again.

Fig. 6

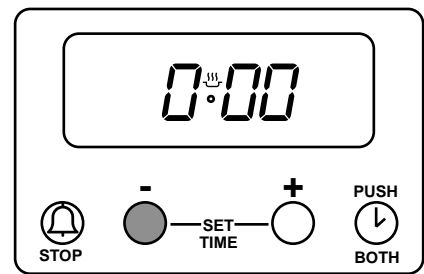


Fig. 7

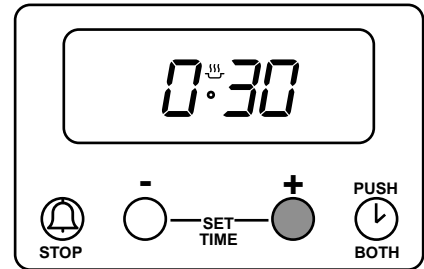


Fig. 8

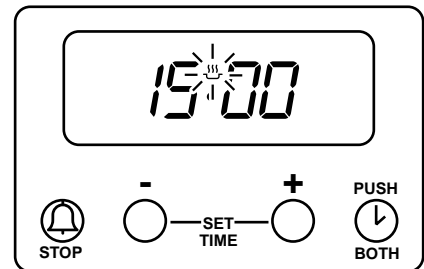


Fig. 9

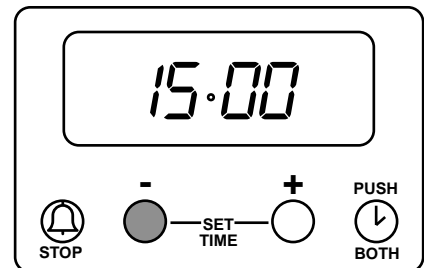


Fig. 10

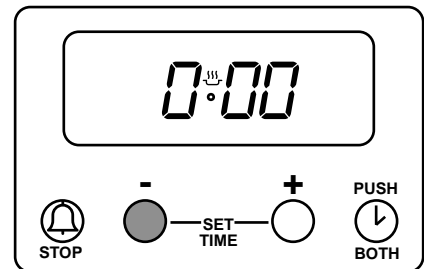


Fig. 11

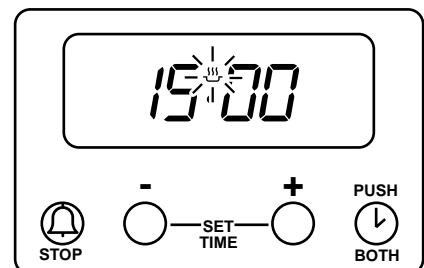
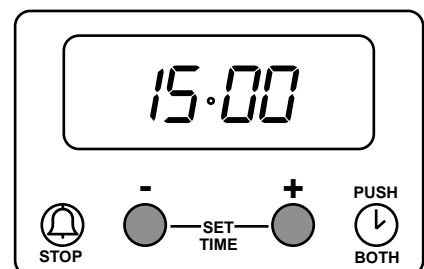


Fig. 12



Using the Oven



Always cook with the oven door closed.

Stand clear when opening the drop down oven door. Do not allow it to fall open - support the door using the door handle, until it is fully open.

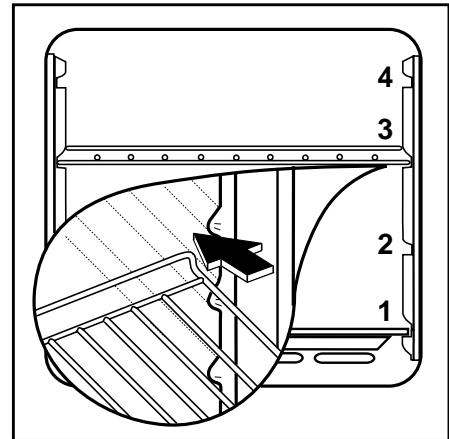


The oven has four shelf levels, and is supplied with two shelves.

The shelf positions are counted from the bottom of the oven as shown in the diagram.

It is important that these shelves are correctly positioned as shown in the diagram.

Do not place cookware directly on the oven base.



Hints and Tips

Condensation and steam

When food is heated it produces steam in the same way as a boiling kettle. The oven vents allow some of this steam to escape. However, **always stand back from the oven when opening the oven door** to allow any build up of steam or heat to release.

If the steam comes into contact with a cool surface on the outside of the oven, e.g. a trim, it will condense and produce water droplets. This is quite normal and is not a fault with the oven.

To prevent discoloration, regularly wipe away condensation and also soilage from surfaces.

Cookware

- Use any oven proof cookware which will withstand temperatures of 250°C.
- Baking trays, oven dishes, etc. should not be placed directly against the grid covering the fan at the back of the oven, or placed on the oven base.
- Do not use baking trays larger than 30 cm x 35 cm (12 in x 14 in) as they will restrict the circulation of heat and may affect performance.

The effects of dishes on cooking results

Dishes and tins vary in their thickness, conductivity, colour, etc. which affects the way they transmit heat to the food inside them.

- A** Aluminium, earthenware, oven glassware and bright shiny utensils reduce cooking and base browning.
- B** Enamelled cast iron, anodized aluminium, aluminium with non-stick interior and coloured exterior and dark, heavy utensils increase cooking and base browning.

Using the Fan Oven

The air inside the oven is heated by the element around the fan situated behind the back panel. The fan circulates hot air to maintain an even temperature inside the oven.

The advantages of cooking with this function are:

- **Faster Preheating**

As the fan oven quickly reaches temperature, it is not usually necessary to preheat the oven although you may find that you need to allow an extra 5-7 minutes on cooking times. For recipes which require higher temperatures, best results are achieved if the oven is preheated first, e.g. bread, pastries, scones, souffles, etc.

- **Lower Temperatures**

Fan oven cooking generally requires lower temperatures than conventional cooking.

Follow the temperatures recommended in the cooking chart. Remember to reduce temperatures by about 20-25°C for your own recipes which use conventional cooking.


- **Even Heating for Baking**

The fan oven has uniform heating on all runner positions. This means that batches of the same food can be cooked in the oven at the same time. However, the top shelf may brown slightly quicker than the lower one.

This is quite usual. There is no mixing of flavours between dishes.



How to Use the Fan Oven

1. Turn the oven function control knob to .
2. Turn the thermostat control to the required temperature.

THINGS TO NOTE

- The oven light will come on when the oven function control knob is set.
- The thermostat control light will remain on until the correct temperature is reached. It will then cycle on and off to show that the temperature is being maintained.

Cooking Chart

This chart is intended as a guide only. It may be necessary to increase or decrease the temperature to suit your individual requirements. Only experience will enable you to determine the correct setting for your personal requirements.

Food		Thermostat	Runner Position	Time
Biscuits, cookies	2 trays	160-190	1-3	18-25 min.
Bread, yeast doughs	2 trays	170-200	1-3	35-45 min.
Cakes, Victoria sandwich	2 trays	160-170	1-3	20-28 min.
Choux pastry, eclairs	2 trays	170-200	1-3	30-35 min.
Fruit pies, plate tarts, crumbles	2 trays	170-200	1-3	50-65 min.
Meringues	2 trays	70-90	1-3	90-150 min.
Puff pastry, vol au vents	2 trays	200-230	1-3	20-35 min.
Scones	2 trays	200-210	1-3	8-12 min.

Roasting Chart

When roasting, ensure the meat is cooked thoroughly, use a meat thermometer if preferred to check the centre temperature has reached the required temperature (see table below).

Meat	Thermostat	Cooking
Beef	170°-180°C	20-30 min per 1/2 kg (1 lb) and 20-30 min over
Lamb	170°-180°C	25-35 min per 1/2 kg (1 lb) and 25-35 min over
Pork	170°-180°C	25-35 min per 1/2 kg (1 lb) and 25-35 min over
Chicken	170°-180°C	15-20 min per 1/2 kg (1 lb) and 20 min over
Turkey and goose	170°-180°C	15-20 min per 1/2 kg (1 lb) up to 3 1/2 kg (7 lb) then 15 min per 1/2 kg (1 lb)
Duck	170°-180°C	25-35 min per 1/2 kg (1 lb) and 25-35 min over
Pheasant	170°-180°C	35-40 min per 1/2 kg (1 lb) and 35-40 min over
Rabbit	170°-180°C	20 min per 1/2 kg (1 lb) and 20 min over

i Hints and Tips

Runner positions are not critical, but make sure the shelves are evenly spread.

When cooking more than one dish in the fan oven, place dishes centrally on the shelves rather than several dishes on one shelf.

When the oven is full, you may need to allow slightly longer cooking time.

A shelf may be placed on the floor of the oven. Place dishes on a shelf in this position rather than on the oven base, to allow air circulation around the food.

When the oven is full of the same food, e.g. equal trays of small cakes or equal size victoria sandwich cakes, then they will be cooked in the same time and removed from the oven together. When different sizes of trays or types of food, e.g. biscuits and cakes are cooked, they will not necessarily be ready together.

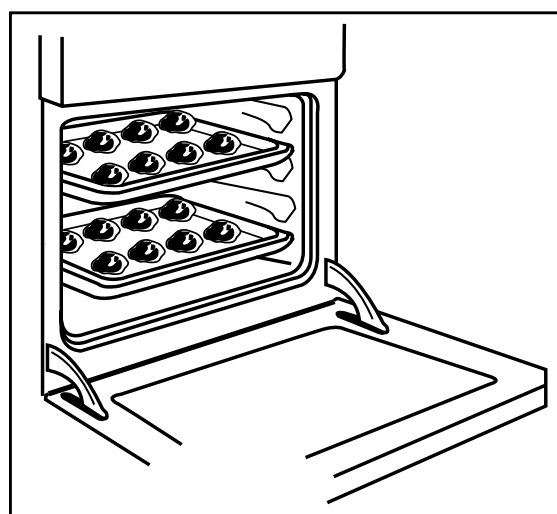
The fan oven can be used to heat foods through without thawing first, e.g. fruit tarts, mince pies, sausage rolls, and other small pastry items. Use a temperature of 190-200°C and allow 20-40 minutes (depending on the quantity of food in the oven).

The use of too high temperatures can cause uneven browning. Check with the recommendations for oven temperatures given in the cooking charts, but be prepared

to adjust the temperature by 10°C if necessary. Remember to reduce temperatures by about 20-25°C for your own conventional recipes.

When roasting do use the trivet in the meat tin. Fat and meat juices will drain into the meat tin below and can be used to make gravy. The trivet also prevents splashes of fat from soiling the oven interior.

The meat tin **should not** be placed on a heated hotplate or burner as this may cause the enamel to crack.




Defrosting

The oven fan operates without heat and circulates the air, at room temperature, inside the oven. This increases the speed of defrosting. However, please note that the temperature of the kitchen will influence the speed of defrosting.

This function is particularly suitable for delicate food which could be damaged by heat, e.g. cream filled gateaux, iced cakes, pastries, bread and other yeast products.

How to Use Defrosting

1. Turn the oven function control knob to .
2. Ensure the thermostat control knob is in the OFF position.

Hints and Tips

- Cover food with a lid, aluminium foil or plastic film to prevent drying out during defrosting.
- ALWAYS COOK THOROUGHLY IMMEDIATELY AFTER THAWING.
- Frozen food should be placed in a single layer when ever possible and turned over half way through the defrosting process.
- Only joints of meat and poultry up to 2 kg. (4 lb.) are suitable for defrosting in this way.

Refer to the following table for approximate defrosting times.

Food	Defrosting time (Mins)	Standing time (Mins)	Notes
Chicken 1000 g.	100-140	20-30	Place the chicken on an inverted saucer on a large plate. Defrost open and turn at half time or defrost covered with foil. Remove giblets as soon as possible.
Meat 1000 g.	100-140	20-30	Defrost open and turn at half time or cover with foil
Meat 500 g.	90-120	20-30	As above
Trout 150 g.	23-35	10-15	Defrost open
Strawberries 300 g.	30-40	10-20	Defrost open
Butter 250 g.	30-40	10-15	Defrost open
Cream 2 x 200 g.	80-100	10-15	Defrost open (cream is easy to whip even if parts of it are still slightly frozen)
Cake 1400 g.	60	60	Defrost open

The times quoted in the chart should be used as a guide only, as the speed of defrosting will depend on the kitchen temperature. For example, the colder the ambient temperature, the longer the defrosting time.


Grilling



Grilling must be carried out with the oven door closed. The grill pan handles must be removed from the pan.



How to Use the Grill

1. Turn the oven control function knob to .
2. Turn the thermostat control knob on the required temperature.
3. Adjust the grid and grill pan runner position to allow for different thicknesses of food. Position the food close to the element for faster cooking and further away for more gentle cooking.

Preheat the grill on a full setting for a few minutes before sealing steaks or toasting. Adjust the heat setting and the shelf as necessary, during cooking.

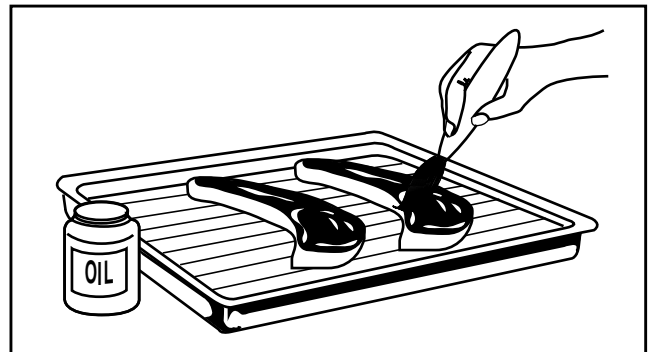
The grill element is controlled by the thermostat. During cooking, the grill cycles on and off to prevent overheating.



Hints and Tips

- Most foods should be placed on the grid in the grill pan to allow maximum circulation of air to lift the food out of the fats and juices. Food such as fish, liver and kidneys may be placed directly on the grill pan, if preferred
- Food should be thoroughly dried before grilling to minimise splashing. Brush lean meats and fish lightly with a little oil or melted butter to keep them moist during cooking
- Accompaniments such as tomatoes and mushrooms may be placed underneath the grid when grilling meats
- When toasting bread, we suggest that the top runner position is used.
- The food should be turned over during cooking, as required.

Food	Conventional Grill Time (Min)
Bacon rashers	2-3 each side
Beefburgers	6-10 each side
Chicken joints	10-15 each side
Chops: lamb pork	7-10 each side 10-15 each side
Fish: whole trout/herring fillets plaice/cod	8-12 each side 4-6 each side
Kebabs	10-15 each side
Kidneys: lamb/pig	4-6 each side
Liver: lamb/pig	5-10 each side
Sausages	10-15 turn as required
Steaks: rare medium well	3-6 each side 6-8 each side 7-10 each side
Browning only	3-5



Maintenance and Cleaning



Before any maintenance or cleaning can be carried out, you must **DISCONNECT** the cooker from the electricity supply.

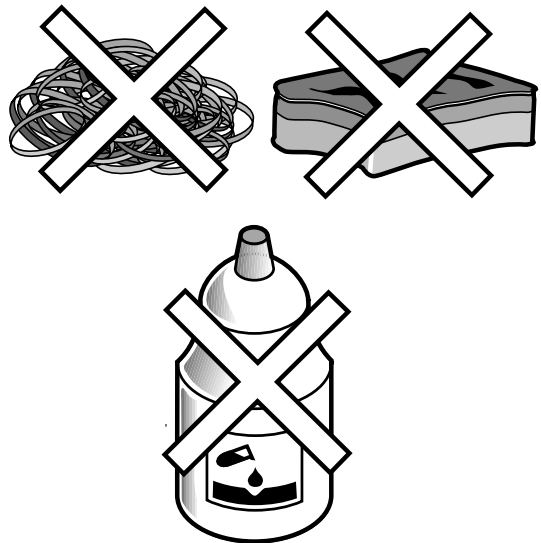
The Hob Top

The hob is best cleaned whilst it is still warm, as spillage can be removed more easily than if it is left to cool.

Regularly wipe over the hob top using a soft cloth well wrung out in warm water to which a little washing up liquid has been added. Avoid the use of the following:

- household detergent and bleaches;
- impregnated pads unsuitable for non-stick saucepans;
- steel wool pads;
- bath/sink stain removers.

Should the hob top become heavily soiled, it is recommended that a cleaning product such as Hob Brite or Bar Keepers Friend is used.



Pan Supports

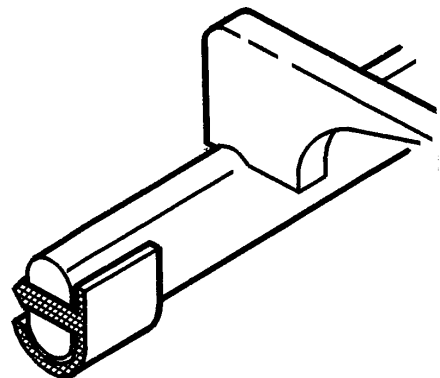
The pan supports are dishwasher proof. If washing them by hand, take care when drying them as the enamelling process occasionally leaves rough edges. If necessary, remove stubborn stains using a paste cleaner.

The pan support of this cooker is fitted with anti-scratch rubber feet.

These feet are dishwasher proof and should not be removed when cleaning the pan support.

If the rubber feet become detached from the pan support re-fit as per diagram.

Anti-scratch rubber feet can be obtained from your local Zanussi Service Force Centre.



The Burners

The burner caps and crowns can be removed for cleaning.

Wash the burners taps and crowns using hot soapy water, and remove marks with a mild paste cleaner. A well moistened soap impregnated steel wool pad can be used with caution, if the marks are particularly difficult to remove.

After cleaning, be sure to wipe dry with a soft cloth.

Cleaning the Oven



Before cleaning always allow the cooling fan to cool the oven down before switching off at the electricity supply.

The oven should be kept clean at all times. A build-up of fats or other foodstuffs could result in a fire, especially in the grill pan.

Cleaning materials

Before using any cleaning materials on your oven, check that they are suitable and that their use is recommended by the manufacturer.

Cleaners that contain bleach should NOT be used as they may dull the surface finishes. Harsh abrasives should also be avoided.

External cleaning

Regularly wipe over the control panel, oven door and door seal using a soft cloth well wrung out in warm water to which a little washing up liquid has been added.



To prevent damaging or weakening the door glass panels avoid the use of the following:

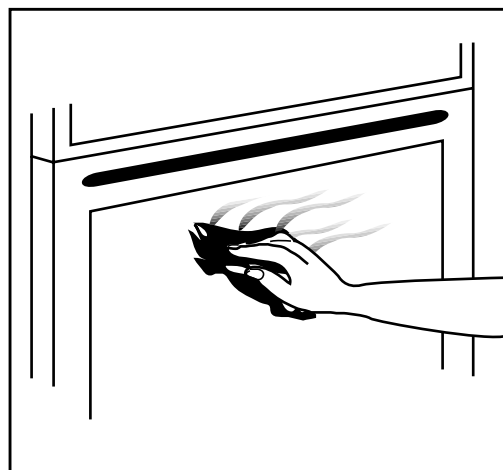
- Household detergent and bleaches
- Impregnated pads unsuitable for non-stick saucepans
- Brillo/Ajax pads or steel wool pads
- Chemical oven pads or aerosols
- Rust removers
- Bath/Sink stain removers

Clean the outer and inner door glass using warm soapy water. Should the inner door glass become heavily soiled it is recommended that a cleaning product such as Hob Brite, or Bar Keepers Friend is used.



DO NOT clean the oven door while the glass panels are warm. If this precaution is not observed the glass panel may shatter.


If the door glass panel becomes chipped or has deep scratches, the glass will be weakened and must be replaced to prevent the possibility of the panel shattering. Contact your local Service Centre who will be pleased to advise further.




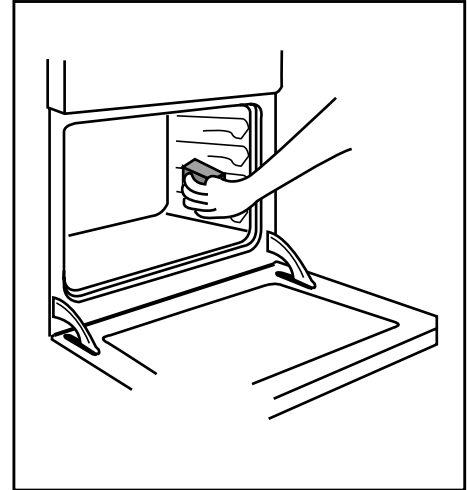
Oven Cavity

The enamelled oven cavity is best cleaned whilst the oven is still warm.

Wipe the oven over with a soft cloth soaked in warm soapy water after each use. From time to time it will be necessary to do a more thorough cleaning, using a proprietary oven cleaner.

 If the soilage has become set, after the oven has cooled down, the following process will help to soften the splatters to help make cleaning easier.

1. Place the grill/ meat pan on the oven shelf positioned in the lowest runner.
2. Add a few drops of washing-up liquid to the pan and fill to about 12 mm. with boiling water from the kettle.
3. Close the oven door, turn the oven function knob on fan oven  and set the thermostat knob on 50°C.
4. After 15 minutes, turn off the thermostat and allow the fan oven to continue without heat for a further 5 minutes, when the temperature of the water will have cooled down.
5. Carefully remove the pan of water from the oven and use normal oven cleaners to clean away soil residues.
6. Leave a little of the soapy water to soak into any burned on spillage on the floor of the oven for a longer time if necessary.



Oven Shelves

To clean the oven shelves, soak in warm soapy water and remove stubborn marks with a well wetted soap impregnated pad. Rinse well and dry with a soft cloth.

Oven lamp replacement



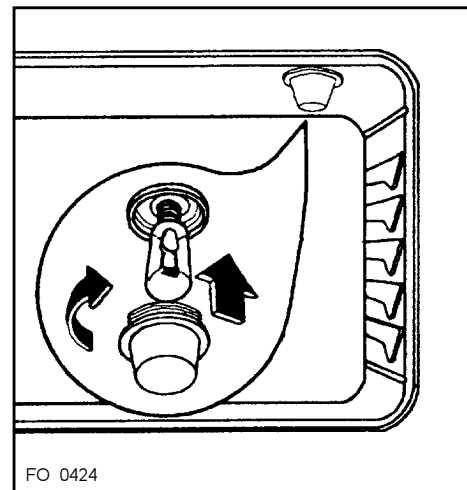
Disconnect the appliance.

Unscrew the lamp and substitute it with another suitable for higher temperature (300°C) having the following characteristics:

Tension: 230-240V (50Hz)

Power: 15W

Convection: E14



Something not working

If the appliance is not working correctly, please carry out the following checks, before contacting your local Zanussi Service Centre.

IMPORTANT: If you call out an engineer to a fault listed below, or to repair a fault caused by incorrect use or installation, a charge will be made even if the appliance is under guarantee.

SYMPTOM	SOLUTION
<ul style="list-style-type: none"> ■ There is no spark when lighting the gas 	<ul style="list-style-type: none"> ◆ Check that the unit is plugged in and the electrical supply is switched on ◆ Check that the RCCB has not tripped (if fitted) ◆ Check the mains fuse has not blown ◆ Check the burner cap and crown have been replaced correctly, e.g. after cleaning.
<ul style="list-style-type: none"> ■ The gas ring burns unevenly 	<ul style="list-style-type: none"> ◆ Check the main jet is not blocked and the burner crown is clear of food particles. ◆ Check the burner cap and crown have been replaced correctly, e.g. after cleaning.
<ul style="list-style-type: none"> ■ The oven does not come on 	<ul style="list-style-type: none"> ◆ Check the oven is in manual operation and that both a cooking function and temperature have been selected. ◆ Check the oven is wired in properly, and the socket switch or the switch from the mains supply to the oven are ON.
<ul style="list-style-type: none"> ■ The oven temperature light does not come on 	<ul style="list-style-type: none"> ◆ Select a temperature with the thermostat control knob ◆ Select a function with the oven function control knob.
<ul style="list-style-type: none"> ■ The oven light does not come on 	<ul style="list-style-type: none"> ◆ Check the light bulb, and replace it if necessary (see "Replacing the Oven Light")
<ul style="list-style-type: none"> ■ It takes too long to finish the dishes, or they are cooked too fast. 	<ul style="list-style-type: none"> ◆ The temperature may need adjusting
<ul style="list-style-type: none"> ■ Steam and condensation settle on the food and the oven cavity. 	<ul style="list-style-type: none"> ◆ Refer to the contents of this booklet, especially to the chapter "Using the Oven". ◆ Leave dishes inside the oven no longer than 15-20 minutes after the cooking is completed.
<ul style="list-style-type: none"> ■ The timer does not work 	<ul style="list-style-type: none"> ◆ Check the instructions for the timer.
<ul style="list-style-type: none"> ■ The oven fan is noisy 	<ul style="list-style-type: none"> ◆ Check the grease filter is correctly fitted. ◆ Check that shelves and bakeware are not vibrating in contact with the oven back panel.

Service and Spare Parts

SERVICE FORCE

In the event of your appliance requiring service, or if you wish to purchase spare parts, please contact your local Zanussi Service Force Centre by telephoning:

0870 5 929929

Your telephone call will be automatically routed to the Service Force Centre covering your post code area. The addresses are listed on the following pages.

Before calling out an engineer, please ensure you have read the details under the heading "Something Not Working." When you contact the Service Force Centre you will need to give the following details:

1. Your name, address and post code
2. Your telephone number
3. Clear and concise details of the fault
4. The model and serial number of the appliance (found on the rating plate)
5. The purchase date

Customer Care Department

For general enquiries concerning your Zanussi appliance or for further information on Zanussi products, please contact our Customer Care Department by letter or telephone at the address below or visit our website at www.zanussi.co.uk

Customer Care Department

Zanussi
55-77 High Street
Slough
Berkshire
SL1 1DZ
08705 727727 (*)

* calls to this number may be recorded for training purposes.

Guarantee Conditions

Zanussi guarantee conditions

We, Zanussi, undertake that if, within 12 months of the date of the purchase, this Zanussi appliance or any part thereof is proved to be defective by any reason only of faulty workmanship or materials, we will, at our option, repair or replace the same **FREE OF ANY CHARGE** for labour, materials or carriage on condition that:

- * The appliance has been correctly installed and used only on the gas and electricity supply stated on the rating plate.
- * The appliance has been used for normal domestic purpose only, and in accordance with the manufacturer's instructions.
- * The appliance has not been serviced, maintained, repaired, taken apart or tampered with by any person not authorised by us.
- * All service work under this guarantee must be undertaken by a Zanussi Service Centre.
- * Any appliance or defective part replaced shall become the Company's property.
- * This guarantee is in addition to your statutory and other legal rights.

Home visits are made between **8.30am and 5.30pm** Monday to Friday. Visits may be available outside these hours, in which case a **premium** will be charged.

Exclusions

This guarantee does not cover:

- * Damage or calls resulting from transportation, improper use or neglect, the replacement of any light bulbs or removable parts of glass or plastic.
- * Costs incurred for calls to put right an appliance which is improperly installed or calls to appliance outside European Community (EC) or European Free Trade Area.

- * Appliances found to be in use within a commercial or similar environment, plus those which are the subject to rental agreements.
- * Products of Zanussi manufacture which are not marketed by Zanussi.

European Guarantee

If you should move to another country within Europe then your guarantee moves with you to your new home subject to the following qualifications:

- * The guarantee starts from the date you first purchased your product.
- * The guarantee is for the same period and to the same extent for labour and parts as exist in the new country of use for this brand or range of products.
- * This guarantee relates to you and cannot be transferred to another user.
- * Your new home is within the European Community (EC) or European Free Trade Area.
- * The product is installed and used in accordance with our instructions and is only used domestically, i.e. a normal household
- * The product is installed taking into account regulations in your new country.

Before you move, please contact your nearest Customer Care centre, listed below, to give them details of your new home. They will then ensure that the local Service Organisation is aware of your move and able to look after you and your appliances.

France	Senlis	+33 (0) 3 44 62 29 29
Germany	Nürnberg	+49 (0) 800 234 7378
Italy	Pordenone	+39 (0) 0434 39 4700
Sweden	Stockholm	+46 (0) 8 672 53 90
UK	Slough	+44 (0) 1753 219897

To contact your local Service Force Centre telephone **08705 929 929**

CHANNEL ISLANDS		ISLE OF LEWIS	ND Macleod 16 James Street Stornoway Isle of Lewis PA87 2QW	NORTH EAST	
GUERNSEY	Guernsey Electricity PO Box 4 Vale, Guernsey Channel Islands GY1 3AD	KELSO	2, 6 & 8 Woodmarket Kelso Borders TD5 7AX	GATESHEAD Unit 356a Dukesway Court Dukesway Gateshead NE11 0BH	
JERSEY	Jersey Electricity Company Haut De L'orme Rue De Haut De L'orme Trinity Jersey Channel Islands JE3 5FG	ORKNEY	7 King Street Kirkwall Orkney KW15 1JF	GRIMSBY 15 Hainton Avenue Grimsby N. E. Lincs DN32 9AS	
SCOTLAND		PERTH	Scottish Hydro Electric Central Warehouse Inveralmond Perth PH1 3AF	HULL Unit 1 Boulevard Industrial Estate Hull HU3 4AY	
ABERDEEN	54 Claremont Street Aberdeen AB10 6RA	(OWN SALES)		LEEDS 64-66 Cross Gates Road Cross Gates Leeds LS15 7YS	
AUCHTERMUCHTY	33a Burnside Auchtermuchty Fife KY14 7AJ	SHETLAND	3-4 Carlton Place Lerwick Shetland ZE1 0PW	NEWTON AYCLIFFE Unit 23 Northfield Way Aycliffe Industrial Park Newton Aycliffe DL5 6EJ	
BLANTYRE	Unit 5 Block 2 Auchenraith Ind. Estate Rosendale Way Blantyre G72 0NJ	(OWN SALES)		SHEFFIELD Pennine House Roman Ridge Road Sheffield S9 1GB	
DUMFRIES	93 Irish Street Dumfries DG1 2 PQ	SHETLAND	Bolts Shetland 26 North Road Lerwick Shetland ZE1 0PE		
DUNOON	7 Hill Street Dunoon Argyll PA23 7AL	WHALSAY	Leask Electrical Harisdale Symbister, Whalsay Shetland ZE2 9AA	NORTH WEST	
		(OWN SALES)		BIRKENHEAD 1 Kelvin Park Dock Road Birkenhead CH41 1LT	
EDINBURGH	Unit 12 Dumbryden Ind. Estate 2 Dumbryden Road Edinburgh EH14 2AB	NORTHERN IRELAND		CARLISLE Unit 7 James Street Workshops James Street Carlisle Cumbria CA2 5AH	
		BELFAST	Owenmore House Kilwee Business Park Dunmurry Belfast BT17 0HD	ISLE OF MAN South Quay Ind. Estate Douglas Isle of Man IM1 5AT	
GLASGOW Unit 4	Wellington Road Bishopriggs Glasgow G64 2SA	WALES		BOLTON Unit B Central Industrial Estate St Marks Street Bolton BL3 6NR	
INVERNESS	Unit 3BI Smithton Ind. Estate Smithton Inverness IV2 7WL	CARDIFF	Unit 4 Guardian Industrial Estate Clydesmuir Road Cardiff CF2 2QS	PRESTON Unit 250 Dawson Place Bamber Bridge Preston Lancashire PR5 8AL	
ISLE OF ARRAN	R Haggerty Bruach Blackwaterfoot Isle of Arran	CLYWD	Unit 6-7 Coed Parc Abergele Road Rhuddlan Clwyd LL18 5UG	STOCKPORT Unit 20 Haigh Park Haigh Avenue Stockport SK4 1QR	
ISLE OF BARRA	J Zerfah 244 Bruernish Isle of Barra Western Islands HS9 5QY	DYFED	Unit 9 St. Clears Business Park Tenby Road St. Clears Carmarthen SA33 4JW		
ISLES OF BUTE	Walker Engineering Glenmhor Upper Serpentine Road Rothesay Isle of Bute PA20 9EH	OSWESTRY	Plas Ffynnon Warehouse Middleton Road Oswestry SY11 2PP		

To contact your local Service Force Centre telephone **08705 929 929**

MIDLANDS		LONDON & EAST ANGLIA		SOUTH EAST	
BIRMINGHAM	66 Birch Road East Wyrley Trading Estate Witton Birmingham B6 7DB	BECKENHAM	11a Gardner Ind. Estate Kent House Lane Beckenham Kent BR3 1QZ	ASHFORD	Unit 2 Bridge Road Business Centre Bridge Road Ashford Kent TN23 1BB
BOURNE	Pinfold Road Bourne PE10 9HT	CHELMSFORD	Hanbury Road Widford Ind. Estate Chelmsford Essex CM12 3AE	FLEET	Unit 1 Redfields Ind. Estate Church Crookham Fleet Hampshire GU13 0RD
BRIDGNORTH	68 St. Mary's Street Bridgnorth Shropshire WV16 4DR	COLINDALE	Unit 14 Capitol Park Capitol Way Colindale London NW9 0EQ	HAYWARDS HEATH	21-25 Bridge Road Haywards Heath Sussex RH16 1UA
GLOUCESTER	101 Rycroft Street Gloucester GL1 4NB	ELTHAM	194 Court Road Mottingham Eltham London SE9 4EW	TONBRIDGE	Unit 30 Deacon Trading Estate Morley Road Tonbridge TN9 1RA
HEREFORD	Units 3 & 4 Bank Buildings Cattle market Hereford HE4 9HX	ENFIELD	284 Alma Road Enfield London EN3 7BB	SOUTH WEST	
HIGHAM FERRERS	30 High Street Higham Ferrers Northants NN10 8PL	GRAVESEND	Unit B4 Imperial Business Estate West Mill Gravesend Kent DA11 0DL	BARNSTAPLE	Main Road Fremington Barnstaple North Devon EX31 2NT
ILKESTON	Unit 2 Furnace Road Ilkeston DE7 5EP	IPSWICH	Unit 6C Elton Park Business Centre Hadleigh Road Ipswich IP2 0DD	BOURNEMOUTH	63-65 Curzon Road Bournemouth Dorset BH1 4PW
LEICESTER	Unit 7 Oaks Industrial Estate Coventry Road Narborough Leicestershire LE9 5GF	LETCHWORTH	16-17 Woodside Ind. Park Works Road Letchworth Herts SG6 1LA	BRIDGEWATER	6 Herswell Business Park Salmon Parade Bridgwater Somerset TA6 5PY
LINCOLN	Unit 8 Clifton Street Stone Field Park Lincoln LN5 8LQ	LONDON	2 - 4 Royal Lane Yiewsley West Drayton Middlesex UB7 8DL	BRISTOL	11 Eldon Way Eldonwall Trading Estate Bristol BS4 3QQ
NEWCASTLE UNDER LYME	18-21 Croft Road Brampton Ind. Estate Newcastle under Lyme Staffordshire ST5 0TW	MAIDENHEAD	Reform Road Maidenhead Berkshire SL6 8BY	EMSWORTH	266 Main Road Southbourne Emsworth PO10 8JL
REDDITCH	13 Thornhill Road North Moons Moat Redditch Worcestershire B98 9ND	MOLESEY	10 Island Farm Avenue West Molesey Surrey KT8 2UZ	ISLE OF WIGHT	Unit 8 Enterprise Court Ryde Business Park Ryde Isle of Wight PO33 1DB
TAMWORTH	Unit 3 Sterling Park Claymore Tamworth B77 5DQ	NEWBURY	9 Pipers Court Berkshire Drive Thatcham Berkshire RG19 4ER	NEWTON ABBOT	Unit 2 Zealley Ind. Estate Kingsteignton Newton Abbot TQ12 3TD
WORCESTER	Units 1 & 2 Northbrooks Close Gregorys Mill Ind. Estate Worcester WR3 8BP	NORWICH	2b Trafalgar Street Norwich NR1 3HN	REDRUTH	Unit 7D Pool Ind. Estate Druids Road Redruth Cornwall TR15 3RH
		SUNBURY	Unit 1a The Summit Hanworth Road Sunbury on Thames TW16 5DB		

Instructions for the Installer

Technical Data

Appliance Class 2 sub class 1 and Class 1
 APPLIANCE CATEGORY: II 2H3+
 APPLIANCE GAS SUPPLY: Natural Gas 20 mbar

Dimensions

Height 900 mm
 Depth 595 mm
 Width 597 mm
 Oven Capacity 1.8 Cu. ft

Hob

Rear left burner (semi-rapid) 2.0 kW
 Front left burner (rapid) 3 kW
 Rear right burner (semi-rapid) 2.0 kW
 Front right burner (auxiliary) 1.0 kW

Oven

Convection Heating Element 2.080 kW
 Grill Element 1.880 kW
 Convection Fan 30 W
 Oven light 15 W
 Total rating 2.125 kW
 Supply voltage (50 Hz) 230-240 V

TYPE OF GAS	CHARACTERISTICS	BURNER	RAPID (large)		SEMI-RAPID (medium)		AUXILIARY (small)	
		POSITION	MAX	MIN	MAX	MIN	MAX	MIN
NATURAL GAS 20 mbar	VALUE = 37.78 MJ/m ³ Ws - 50.7 MJ/m ³	NOMINAL THERMAL POWER kW	3.0	0.65	2.0	0.45	1.0	0.33
		NOMINAL FLOW RATE m ³ /h	0.286	0.057	0.190	0.038	0.095	0.028
		NOZZLE REFERENCE 1/100 mm	119	Adjust.	96	Adjust.	70	Adjust.
LPG GAS 28-30/37 mbar	VALUE = 49.92 MJ/Kg	NOMINAL THERMAL POWER kW	2.8	0.65	2.0	0.45	1.0	0.33
		NOMINAL FLOW RATE g/h	202	43.5	144	29	72	21.5
		NOZZLE REFERENCE 1/100 mm	86	40	71	32	50	28

Important Safety Requirements

This appliance must be installed in accordance with the Gas Safety (Installation and Use) Regulations (current addition) and the I.E.E. Wiring Regulations. Detailed recommendations are contained in the following British Standard Codes of Practice - B.S. 6172, B.S. 5440: Part 2 and B.S. 6891: Current Editions.

Provision for Ventilation

The room containing the cooker should have an air supply in accordance with B.S. 5440: Part 2: Current Editions.

The following requirements for ventilation must be met. The cooker should not be installed in a bed sitting room with a volume of less than 20m³, if it is installed in a room of volume less 5m³ an air vent of effective area of 110cm² is required; if it is installed in a room of volume between 5m³ and 10m³, an air vent of effective area 50cm² is required, while if the volume exceeds 11m³ no air vent is

required. However, if the room has a door which opens directly to the outside, no air vent is required even when the volume is between 5m³ and 11m³.

If there are other fuel burning appliances in the same room, B.S. 5440: Part. 2: Current Editions should be consulted to determine the requisite air vent requirements.

Location

The cooker may be located in a kitchen, a kitchen/diner or bedsitting room but not in a bathroom or shower room. For information regarding the fitting of flexible supply pipes, the highest temperature at the rear of this cooker which may come into contact with the supply pipe is 70°C above ambient.

When the appliance has been installed there must be enough space for the glass hotplate lid to open fully.

Positioning the Cooker

Caution:

Some soft or badly fitted floor coverings can be damaged when the cooker is moved across their surface for cleaning. It is advisable to ensure that the floor covering in the area below the cooker is either securely fixed so as not to ruck up when the cooker is moved or, if preferred, removed.

Installation

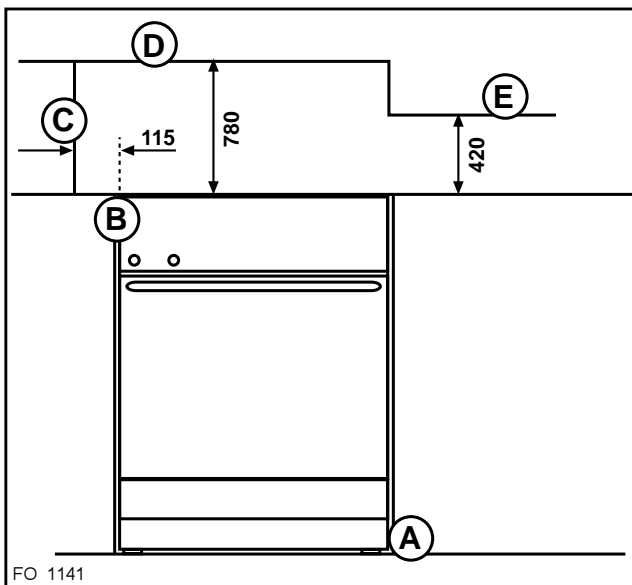


Fig. 1

The appliance must be installed in accordance to the type X (standard EN 60335-2-6). Therefore the appliance can not be installed beside furniture higher than the cooker worktop.

Positioning the Appliance (Fig. 1)

Note A:

The appliance is designed to be flush fitted with 2mm clearance at each side to allow for it to be pulled forward for cleaning etc.

Note B:

The hotplate side trims should be flush with the cabinets and must not be below. Adjustable levelling feet at the front and rear are provided on the base of the appliance. Adjustment is obtained by rotating in or out, the feet at the front or rear of the appliance from the underside of the appliance.

A spirit level should be placed on a cake tray on one of the shelves to confirm that the appliance is correctly levelled.

The levelling feet fitted to the appliance will achieve a height to hotplate trims of $900\text{mm} - 0 + 10$.

Note C:

If the appliance is fitted next to a side wall or cabinets above height of the hotplate trims, then a gap of 115 mm is required.

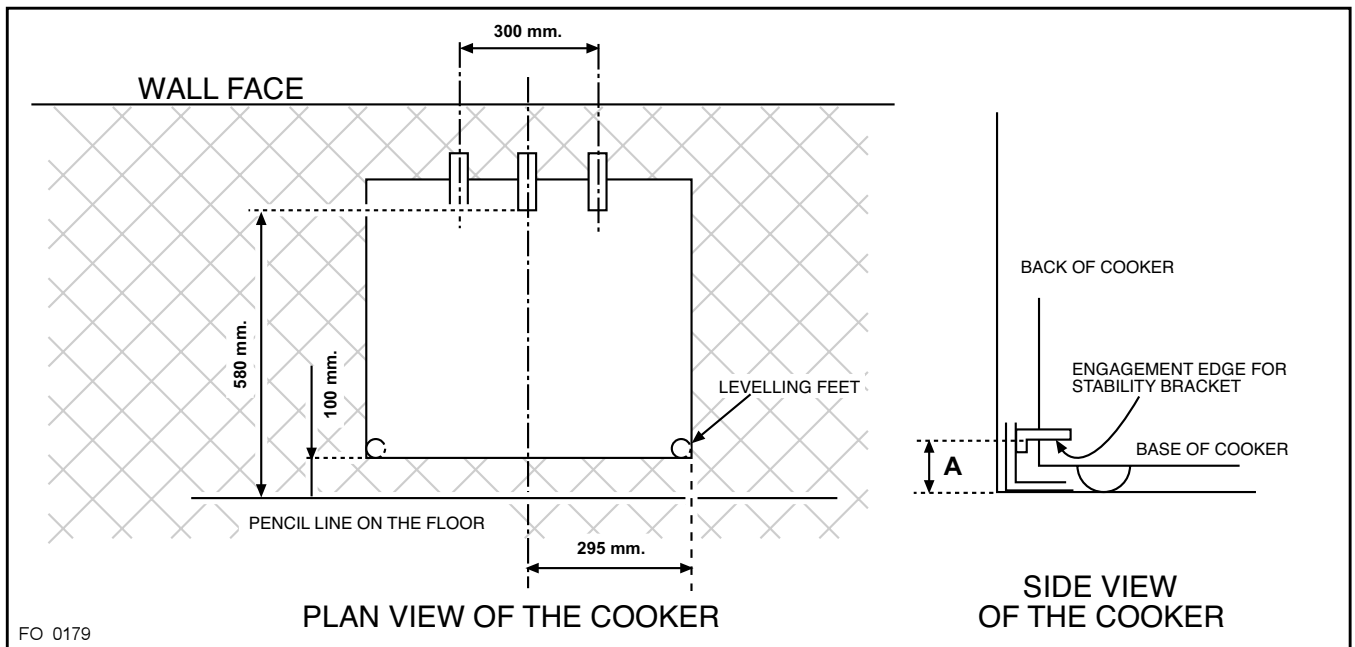
Curtains must not be fitted immediately behind the cooker or within 115 mm of the sides of the cooker.

Note D:

Any wall cabinet or extractor must not be lower than 780mm above hotplate level.

Note E:

Wall cabinets may be fitted in line with the sides of the base units, providing that the lower edge of the wall cabinet is a minimum of 420mm above the worktop.



FO 0179

Fig. 2

Fitting the Stability Bracket (Not supplied)

If the cooker has to be installed with a flexible supply pipe, it is necessary that a stability device is fitted. (See "Important Safety Requirements").

If a stability bracket should be fitted by the installer, these instructions should be read in conjunction with the leaflet packed with the stability bracket.

Place cooker in its intended position and level cooker.

Mark off 295mm (11 1/2") from the right hand side of the cooker as shown, this is the centre line of the bracket fixing.

Draw a line 100mm (4") from the front edge of the levelling feet (see Fig. 17) and remove cooker from its position. Mark off 580mm (23") back from this line on the centre line of the bracket to locate the front edge of the lower bracket.

Fix lower bracket (with two fixing holes) to the floor, then measure height from floor level to engagement edge on back of cooker, dimension 'A' of Fig. 2.

Assemble upper bracket to lower bracket so that underside of bracket is dimension 'A' + 3mm (1/8") above floor level. Re-position cooker and check that top bracket engages into cooker back to a depth of 75mm (3"), as shown in Fig. 2.

Should the stability bracket currently installed not allow the cooker to stand correctly, ask the installer to replace it with the correct type.

Connecting to Gas

This cooker is designed to be installed with an appliance flexible connection. Connection is made to the RC 1/2 (1/2" B.S.P.) threaded entry pipe located just below the hotplate level on the rear right-hand side of the cooker. Check for gas soundness after connecting the gas supply.

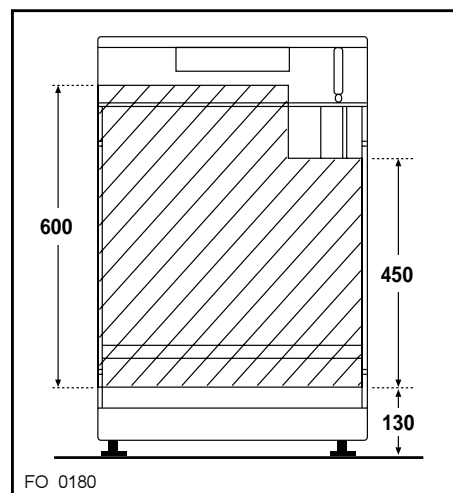
The gas bayonet connector must be fitted in the shaded area indicated in Fig. 3. Take into account that it must be possible to pull the cooker forward sufficiently. The hose must not get caught on the stability bracket.

Note:

If using different types of gas bayonet connection, it may not be possible for the appliance to be pushed fully back to the wall stops.

Important:

Flexible tubing **MUST** comply with BS.669 Current Edition.



FO 0180

Fig. 3

Electrical connections



Any electrical work required to install this cooker should be carried out by a qualified electrician or competent person, in accordance with the current regulations.



THIS COOKER MUST BE EARTHED.

The manufacturer declines any liability should these safety measures not be observed.

This cooker is designed to be connected to a 230-240V 50Hz AC electrical supply.


Before switching on, make sure the electricity supply voltage is the same as that indicated on the cooker rating plate. The rating plate is located on the oven frame.

The cooker is supplied with a 3 core flexible supply cord incorporating a 13amp plug fitted. In the event of having to change the fuse, a 13amp ASTA approved (BS 1362) fuse must be used.

Should the plug need to be replaced for any reason, the wires in the mains lead are coloured in accordance with the following code:

Green and Yellow - Earth
Blue - Neutral
Brown - Live



- Connect the green and yellow (earth) wire to the terminal in the plug which is marked with the letter 'E' or the earth symbol  or coloured green and yellow.
- Connect the blue (neutral) wire to the terminal in the plug which is marked with the letter 'N' or coloured black.
- Connect the brown (live) wire to the terminal in the plug which is marked with the letter 'L' or coloured red.

Upon completion there must be no cut, or stray strands of wire present and the cord clamp must be secure over the outer sheath.



A cut off plug inserted into a 13 amp socket is a serious safety (shock) hazard. Ensure that the cut off plug is disposed of safely.

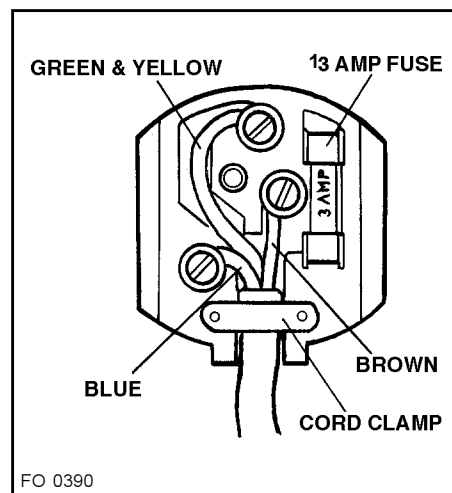
Permanent Connection

In the case of a permanent connection, it is necessary that you install a double pole switch between the cooker and the electricity supply (mains), with a minimum gap of 3 mm. between the switch contacts and of a type suitable for the required load in compliance with the current electric regulations.

The switch must not break the yellow and green earth cable at any point.



Ensure that the cooker supply cord does not come into contact with surfaces with temperatures higher than 50 deg. C.



Commissioning

When the hob has been fully installed it will be necessary to check the minimum flame setting. To do this, follow the procedure below.

- Turn the gas tap to the MAX position and ignite.
- Set the gas tap to the MIN flame position then turn the control knob from MIN to MAX several times. If the flame is unstable or is extinguished follow the procedure below.

Procedure:

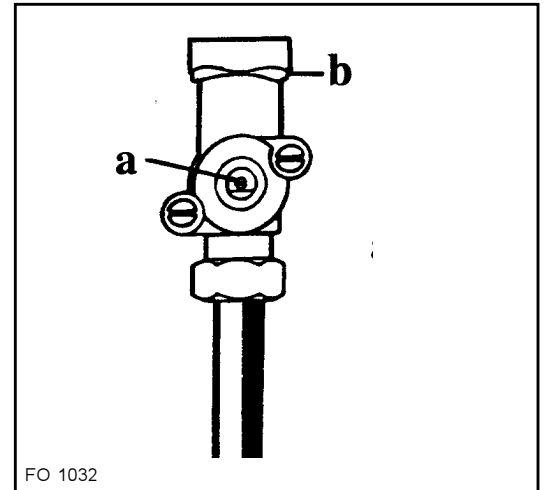


Re-ignite the burner and set to MIN.

Remove the control knob.

The adjustment screw is located down the centre of the gas tap control shaft.

To adjust, use a thin bladed screwdriver and turn the adjustment screw until the flame is steady and does not extinguish, when the knob is turned from MIN to MAX. Repeat this procedure for all burners.



- a) Minimum adjustment screw
- b) Tap

Pressure Testing



Remove left hand pan support and front left burner cap and crown.

Fit manometer tube over the injector.

Turn on the burner gas supply and ignite another burner supply.

The pressure reading should be nominally 20mbar and must be between 17 mbar and 25mbar.

Turn off the burner supplies.

Conversion from Natural Gas to LPG

It is important to note that this model is designed for use with natural gas but can be converted for use with butane or propane gas providing the correct injectors are fitted and the gas rate is adjusted to suit.

Method

- Ensure that the gas taps are in the 'OFF' position
- Isolate the hob from the electricity supply
- Remove all pan supports, burner caps, rings, crowns and control knobs.
- With the aid of a 7mm box spanner the burner injectors can then be unscrewed and replaced by the appropriate LPG injectors (see Technical Data).

To adjust the gas rate

With the aid of a thin bladed screwdriver completely tighten down the by pass adjustment screw, which is located down the centre of the gas tap control shaft. Upon completion stick the replacement rating plate on the under side of the hob.

IMPORTANT

The replacement/conversion of the gas hob should only be undertaken by a competent person

CUSTOMER CARE

Zanussi

55-77 High Street
Slough
Berkshire, SL1 1DZ
Tel: 08705 727727

© Electrolux Household Appliances Limited 2001

 **From the Electrolux Group.** *The world's No.1 choice.*

The Electrolux Group is the world's largest producer of powered appliances for kitchen, cleaning and outdoor use. More than 55 million Electrolux Group products (such as refrigerators, cookers, washing machines, vacuum cleaners, chain saws and lawn mowers) are sold each year to a value of approx. USD 14 billion in more than 150 countries around the world.