

## RANGE COMPOSITION

N 700: a range of over 100 models for the professional caterer designed to guarantee the highest level of performance, reliability, energy saving, safety standards and ergonomic operation. These concepts are reflected in the total modularity of the range that ensures numerous configurations, either free-standing or bridged. N 700 demonstrates how advanced technology can satisfy the needs of the professional caterer. The multifunctional cookers are characterized by compact dimensions, durable construction, versatility, reliability and high performance.

The range consists of 2 electric and 2 gas model suitable for damp cooking (stews, goulash and risotto), dry cooking (chops, hamburgers, fillets), frying (cutlet, fish, omelette and chips) and dry bain-marie. Fixed well with bottom in bi-metallic compound, for even heat distribution and easy to clean surface.



178104

# N 700

## MULTIFUNCTIONAL COOKERS **ZANUSSI** PROFESSIONAL

### FEATURES

- ◆ Front, worktop and flue in stainless steel. The stainless steel well features rounded corners with the base in compound, which is the composition of a lower layer of mild steel and an upper layer of 316 AISI stainless steel. Mild steel is the best material to resist high temperature stress and to spread heat evenly over the cooking surface, whilst 316 AISI stainless steel is ideal to protect the appliance from corrosion.
- ◆ Feet in stainless steel, adjustable up to a height of 50mm.
- ◆ All models have right-angled side edges to allow flush-fitting joints between units, eliminating gaps and possible dirt traps.
- ◆ Better ergonomics is guaranteed by the low flue particularly when the appliances are positioned back to back.

Accessories kit included: stopper, scraper for smooth plate and draining pipe for an easy food collection.

- ◆ IPX4 water protection.

TECHNICAL DATA				
CHARACTERISTICS	MODELS			
	KMFG400 178102	KMFG800 178103	KMFE400 178104	KMFE800 178105
Power supply	Gas	Gas	Electric	Electric
External dimensions - mm				
width	400	800	400	800
depth	700	700	700	700
height	850	850	850	850
height adjustment	50	50	50	50
Cooking surface				
type	Compound	Compound	Compound	Compound
material	Stainless Steel AISI 316 - Din 1.4404	Stainless Steel AISI 316 - Din 1.4404	Stainless Steel AISI 316 - Din 1.4404	Stainless Steel AISI 316 - Din 1.4404
Thermostatic			●	●
Thermostatic valve	●	●		
Maximum Well Capacity -lt	11	22	11	22
Cooking surface dimensions - mm				
width	306	630	306	630
depth	510	510	510	510
Working temperature - min/max - °C	100, 250	100, 250	100, 250	100, 250
Power - kW				
gas	7	14		
installed-electric			5	10
Net weight - kg.	45	80	40	75
Supply voltage			400 V, 3N, 50/60	400 V, 3N, 50/60
<b>INCLUDED ACCESSORIES</b>				
BLADES WITH ROUNDED SIDES FOR SCRAPER	1	1	1	1
SCRAPER FOR SMOOTH PLATE FRY TOP	1	1	1	1

**ELECTRIC MODELS**

- ◆ The energy regulator allows the most precise cooking control and greatly reduces the fluctuation of energy around the set temperature.
- ◆ Thermostatic control and energy regulator.

**GAS MODELS**

- ◆ Burners are equipped with a double flame line for guaranteeing a uniform heat spread.
- ◆ Thermostatic gas valve. Piezo ignition.

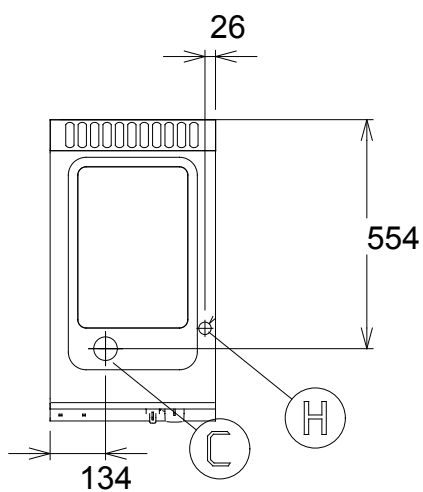
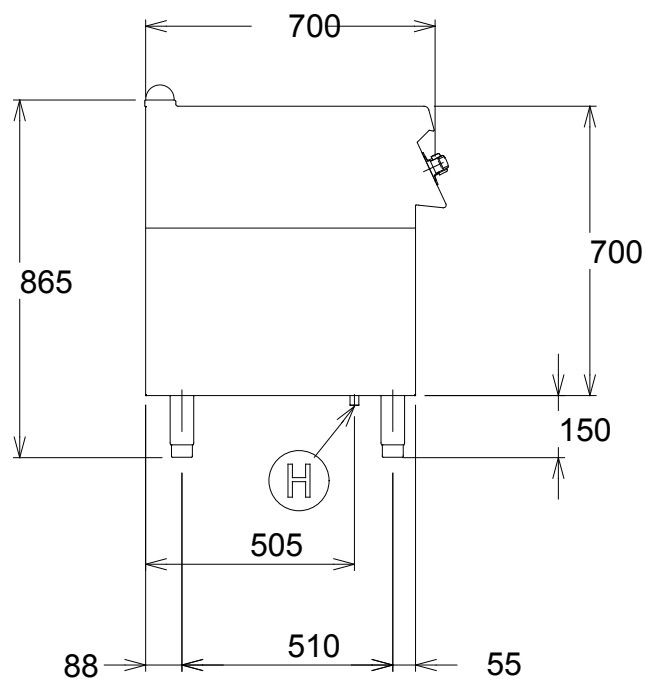
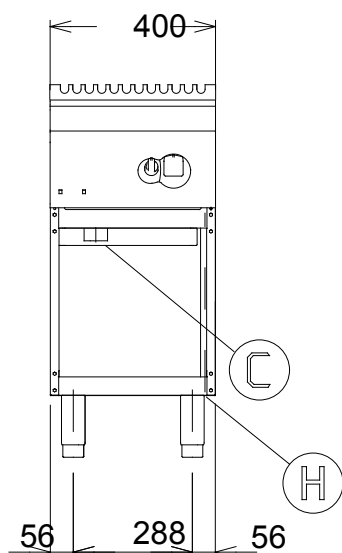
**INSTALLATION**

- ◆ Ease of maintenance guaranteed by frontal access to all working components.
- ◆ Main connections can be via the rear or the base of the unit.
- ◆ All gas appliances are supplied for use with natural gas or LPG. Conversion jets supplied as standard.

OPTIONAL ACCESSORIES				
ACCESSORIES	MODELS			
	KMFG400 178102	KMFG800 178103	KMFE400 178104	KMFE800 178105
2 SIDE COVERING PANELS FOR TOP-D=700MM	206277	206277	206277	206277
2 SIDE COVERING PANELS H=700 D=700	206000	206000	206000	206000
2 SIDE KICKING STRIPS-CONCRETE INSTALL.	206265	206265	206265	206265
2 SUPPORTS+RUNNERS FOR 4 GN 1/1&2/1 CONT	206244	206244	206244	206244
4 FEET FOR CONCRETE INSTALLATION	206210	206210	206210	206210
4 WHEELS (2 WITH BRAKE)		206188		206188
CENTRAL SUPPORT FOR 800MM/1200MM CUPB.		206245		206245
CHIMNEY COVER 400MM OPEN	206284		206284	
CHIMNEY COVER 800MM OPEN-LARGE CHIMNEY		206273		206273
CHIMNEY UPSTAND 400MM	206303		206303	
CHIMNEY UPSTAND 800MM		206304		206304
DRAUGHT DIVERTER WITH 120 MM DIAMETER		206126		
ELECTRIC HEATING KIT FOR CUPBOARDS	206259	206259	206259	206259
FLANGED FEET KIT	206136	206136	206136	206136
FLUE CONDENSER		206246		
FRONT.KICK.STRIP F.CONCRETE INST.1000 MM	206150	206150	206150	206150
FRONT.KICK.STRIP F.CONCRETE INST.1200 MM	206151	206151	206151	206151
FRONT.KICK.STRIP F.CONCRETE INST.1600 MM	206152	206152	206152	206152
FRONT.KICK.STRIP F.CONCRETE INST.200 MM	206146	206146	206146	206146
FRONT.KICK.STRIP F.CONCRETE INST.400 MM	206147	206147	206147	206147
FRONT.KICK.STRIP F.CONCRETE INST.800 MM	206148	206148	206148	206148
FRONTAL HANDRAIL 1200 MM	206191	206191	206191	206191
FRONTAL HANDRAIL 1600 MM	206192	206192	206192	206192
FRONTAL HANDRAIL 400 MM	206166	206166	206166	206166
FRONTAL HANDRAIL 800 MM	206167	206167	206167	206167
FRONTAL KICKING STRIP 1000 MM	206177	206177	206177	206177
FRONTAL KICKING STRIP 1200 MM	206178	206178	206178	206178
FRONTAL KICKING STRIP 1600 MM	206179	206179	206179	206179
FRONTAL KICKING STRIP 200 MM	206174	206174	206174	206174
FRONTAL KICKING STRIP 400 MM	206175	206175	206175	206175
FRONTAL KICKING STRIP 800 MM	206176	206176	206176	206176
LARGE HANDRAIL(PORTIONING SHELF)400 MM	206185	206185	206185	206185
LARGE HANDRAIL(PORTIONING SHELF)800 MM	206186	206186	206186	206186
LEFT SIDE DOOR FOR OPEN BASE CUPBOARD	206195	206195	206195	206195
LID FOR 11LT MULTIFUNCT.COOKER-1/2 MOD.	921689		921689	
LID FOR 22LT MULTIFUNCT.COOKER-1 MODULE		921690		921690
PAIR OF SIDE KICKING STRIPS	206249	206249	206249	206249
PRESSURE REGULATOR FOR GAS UNITS	927225	927225		
RIGHT AND LEFT SIDE HANDRAILS	206240	206240	206240	206240
RIGHT SIDE DOOR FOR OPEN BASE CUPBOARD	206194	206194	206194	206194
SIDE WALL FOR CUPBOARD	206252	206252	206252	206252



www.zanussiprofessional.com



597827400

LEGEND

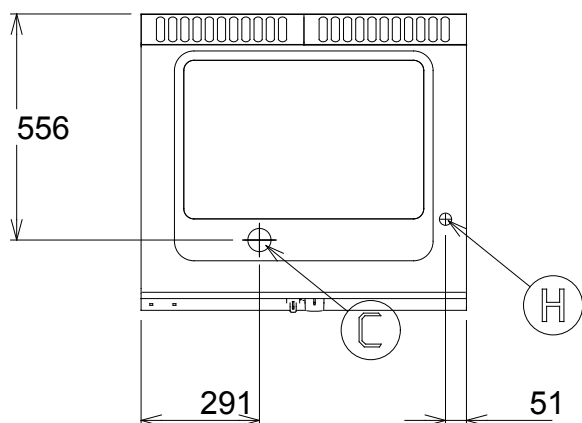
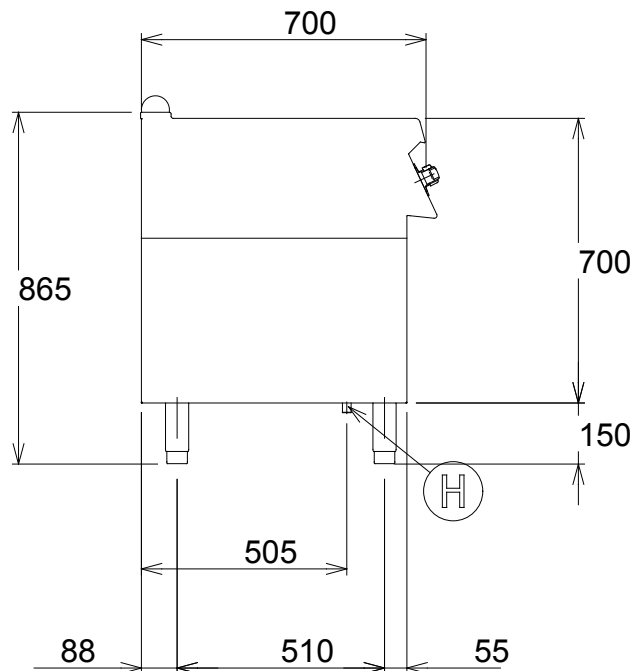
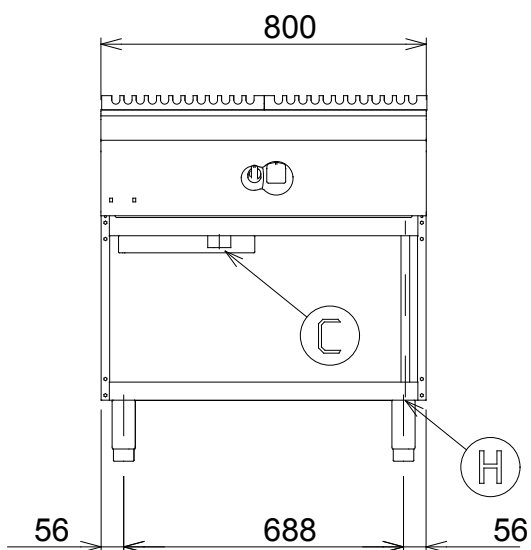
H - Gas connection

KMFG400  
178102

1/2"



www.zanussiprofessional.com



597827500

LEGEND

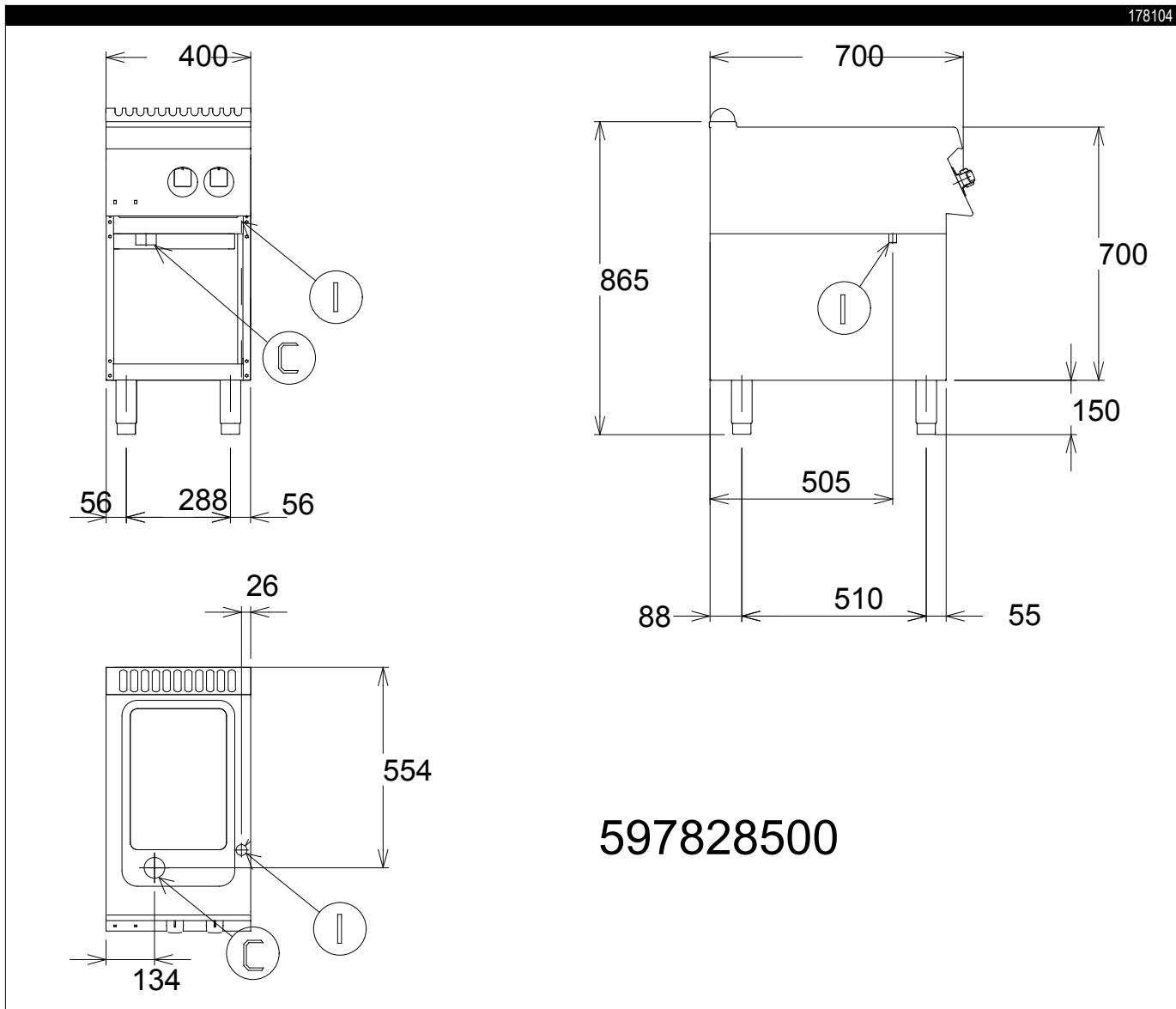
H - Gas connection

KMFG800  
178103

1/2"



www.zanussiprofessional.com

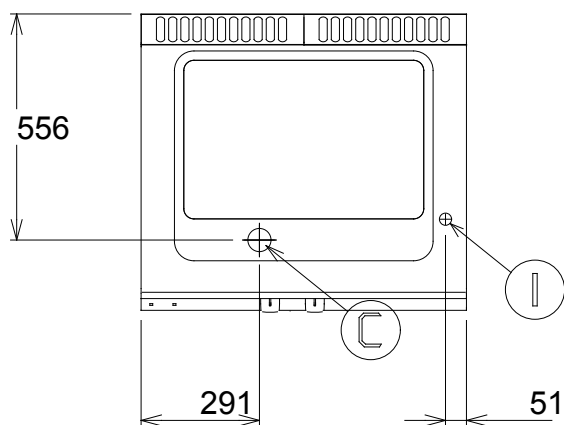
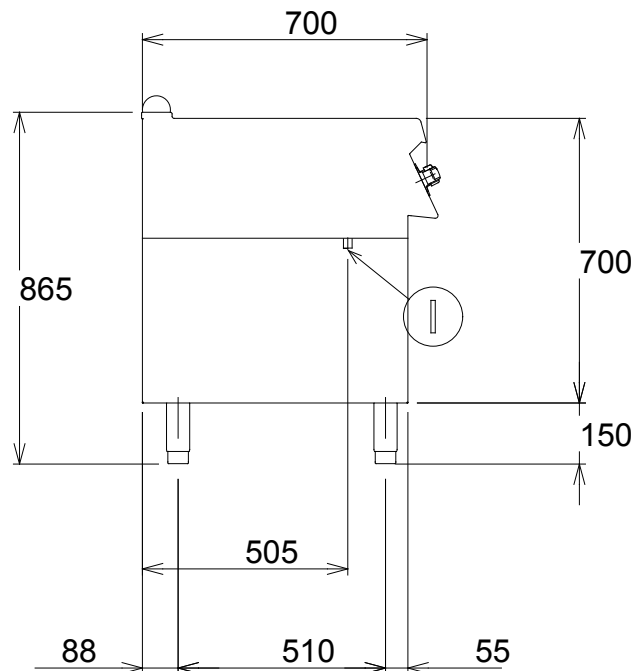
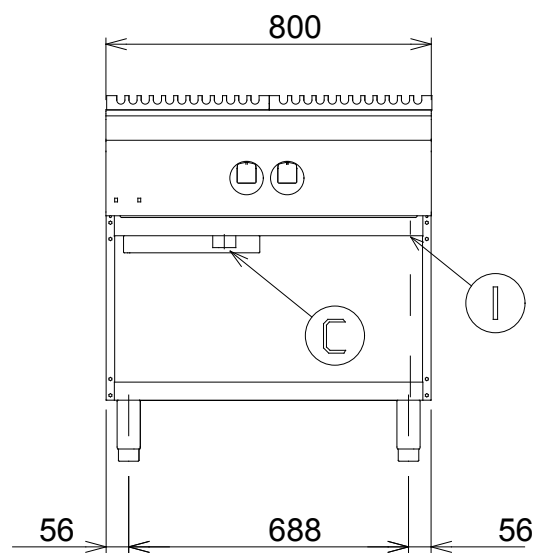


597828500

LEGEND	
I - Electrical connection	KMFE400 178104 400 V, 3N, 50/60



www.zanussiprofessional.com



597828600

LEGEND

I - Electrical connection

KMFE800  
178105

400 V, 3N, 50/60



www.zanussiprofessional.com