

RANGE COMPOSITION

N 700: a range of over 100 models for the professional caterer designed to guarantee the highest level of performance, reliability, energy saving, safety standards and ergonomic operation. These concepts are reflected in the total modularity of the range that ensures numerous configurations, either free-standing, bridged or cantilever. N 700 demonstrates how advanced technology can satisfy the needs of the professional caterer. The models detailed on this sheet are free-standing gas solid tops.



178085+door

N 700

FREESTANDING GAS SOLID TOPS **ZANUSSI** PROFESSIONAL

FUNCTIONAL AND CONSTRUCTION FEATURES

- ◆ Central burner with optimized combustion, maximum power 7 kW, with flame failure device and protected pilot light. Piezo ignition.
- ◆ Durable cast-iron cooking plate with differentiated heating zones, maximum temperature in the centre, 500°C, decreasing towards the perimeter to 200°C.
- ◆ Worktop in 1,5mm stainless steel. Front panel in stainless steel with Scotch Brite finish.
- ◆ All models have right-angled side edges to allow flush fitting between units, eliminating gaps and dirt traps.
- ◆ Gas oven with stainless steel burners, self-stabilizing flame positioned beneath the base plate and a thermostat adjustable from 140° to 300°C.
- ◆ Stainless steel oven chamber with 3 levels of runners to accommodate 2/1GN shelves.
- ◆ Feet in stainless steel adjustable

in height 50mm.

- ◆ Handles on oven in stainless steel
- ◆ Main connections can be via the rear or the base of the unit.
- ◆ All gas appliances are supplied for use with natural gas or LPG. Conversion jets supplied as standard.

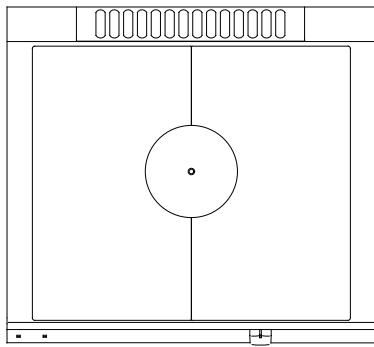
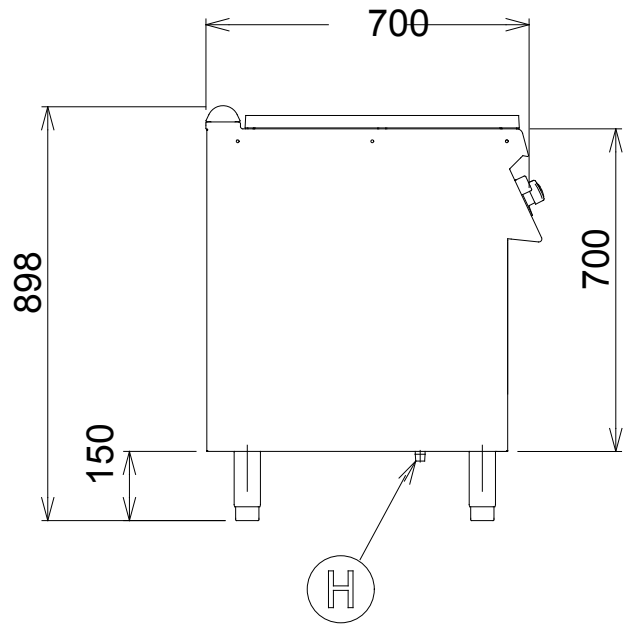
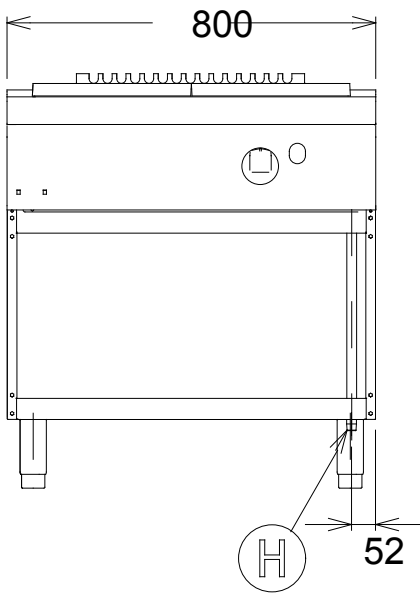
*In accordance with CE regulations for gas models belonging to Class B11 (power over 14 kW), it is necessary to install a chimney (if installed under a hood) or chimney and draft diverter if the waste gases are vented directly outside

TECHNICAL DATA					
CHARACTERISTICS	MODELS				
	KTGV800 178081	KTGFG800 178082	KTG2FG800 178083	KTG2V800 178084	KTG2FG1200 178085
Power supply	Gas	Gas	Gas	Gas	Gas
External dimensions - mm					
width	800	800	800	800	1200
depth	700	700	700	700	700
height	850	850	850	850	850
height adjustment	50	50	50	50	50
Solid top area - mm					
width	690	690	340	340	690
depth	590	590	590	590	590
Oven cavity - mm					
width		540	540		540
depth		650	650		650
height		300	300		300
Oven					
heat input - kW		6	6		6
temperature min-max - °C		110, 270	110, 270		110, 270
Storage cupboard - mm					
width	680			680	330
depth	640			640	640
height	420			420	420
Solid top heat input - kW	7	7	3.8	3.6	7
Back burner dimensions - mm			Ø 60	Ø 60	Ø 60
Back burners power - kW			5.5	5.5	5.5
Front burners dimension - mm			Ø 60	Ø 60	Ø 60
Front burners power - kW			5.5	5.5	5.5
Power - kW					
gas	7	13	20.6	14.6	24
Net weight - kg	70	95	90	70	140
INCLUDED ACCESSORIES					
2/1 GN CHROME GRID		1	1		1

OPTIONAL ACCESSORIES					
ACCESSORIES	MODELS				
	KTGV800 178081	KTGFG800 178082	KTG2FG800 178083	KTG2V800 178084	KTG2FG1200 178085
2 DRAWERS FOR OPEN BASE	206255			206255	206255
2 SIDE COVERING PANELS FOR TOP-D=700MM	206277	206277	206277	206277	206277
2 SIDE COVERING PANELS H=700 D=700	206000	206000	206000	206000	206000
2 SIDE KICKING STRIPS-CONCRETE INSTALL.	206265	206265	206265	206265	206265
2 SUPPORTS+RUNNERS FOR 4 GN 1/1&2/1 CONT	206244			206244	206244
2/1 GN CHROME GRID		164250	164250		164250
4 FEET FOR CONCRETE INSTALLATION	206210	206210	206210	206210	206210
4 WHEELS (2 WITH BRAKE)	206188	206188	206188	206188	206188
CENTRAL SUPPORT FOR 800MM/1200MM CUPB.	206245			206245	
CHIMNEY COVER 1200MM OPEN-LARGE CHIMNEY					206276
CHIMNEY COVER 800MM OPEN-LARGE CHIMNEY	206273	206273	206273	206273	
CHIMNEY UPSTAND 1200MM					206306
CHIMNEY UPSTAND 800MM	206304	206304	206304	206304	
DOUBLE BURNER RIBBED PLATE				921685	921685
DOUBLE BURNER SMOOTH PLATE				921684	921684
DRAUGHT DIVERTER WITH 120 MM DIAMETER	206126	206126	206126		206126
ELECTRIC HEATING KIT FOR CUPBOARDS	206259			206259	206259
FLANGED FEET KIT	206136	206136	206136	206136	206136
FLUE CONDENSER	206246	206246	206246		206246
FRONT.KICK.STRIP F.CONCRETE INST.1000 MM	206150	206150	206150	206150	206150
FRONT.KICK.STRIP F.CONCRETE INST.1200 MM	206151	206151	206151	206151	206151
FRONT.KICK.STRIP F.CONCRETE INST.1600 MM	206152	206152	206152	206152	206152
FRONT.KICK.STRIP F.CONCRETE INST.200 MM	206146	206146	206146	206146	206146
FRONT.KICK.STRIP F.CONCRETE INST.400 MM	206147	206147	206147	206147	206147
FRONT.KICK.STRIP F.CONCRETE INST.800 MM	206148	206148	206148	206148	206148
FRONTAL HANDRAIL 1200 MM	206191	206191	206191	206191	206191
FRONTAL HANDRAIL 1600 MM	206192	206192	206192	206192	206192
FRONTAL HANDRAIL 400 MM	206166	206166	206166	206166	206166
FRONTAL HANDRAIL 800 MM	206167	206167	206167	206167	206167
FRONTAL KICKING STRIP 1000 MM	206177	206177	206177	206177	206177
FRONTAL KICKING STRIP 1200 MM	206178	206178	206178	206178	206178
FRONTAL KICKING STRIP 1600 MM	206179	206179	206179	206179	206179
FRONTAL KICKING STRIP 200 MM	206174	206174	206174	206174	206174
FRONTAL KICKING STRIP 400 MM	206175	206175	206175	206175	206175
FRONTAL KICKING STRIP 800 MM	206176	206176	206176	206176	206176
LARGE HANDRAIL(PORTIONING SHELF)400 MM	206185	206185	206185	206185	206185
LARGE HANDRAIL(PORTIONING SHELF)800 MM	206186	206186	206186	206186	206186
LEFT SIDE DOOR FOR OPEN BASE CUPBOARD	206195				206195
PAIR OF SIDE KICKING STRIPS	206249	206249	206249	206249	206249
PRESSURE REGULATOR FOR GAS UNITS	927225	927225	927225	927225	927225
RIGHT AND LEFT SIDE HANDRAILS	206240	206240	206240	206240	206240
RIGHT SIDE DOOR FOR OPEN BASE CUPBOARD	206194				206194
S/S GRID FOR DOUBLE BURNER-700 LINE			206297	206297	206297
SIDE WALL FOR CUPBOARD	206252			206252	206252
SINGLE BURNER RADIANT PLATE			206264	206264	206264
SINGLE BURNER RIBBED PLATE			206261	206261	206261
SINGLE BURNER SMOOTH PLATE			206260	206260	206260
WATER COLUMN EXTENSION FOR 700 LINE	206291	206291	206291	206291	206291
WATER COLUMN WITH SWIVEL ARM	206289	206289	206289	206289	206289



www.zanussiprofessional.com



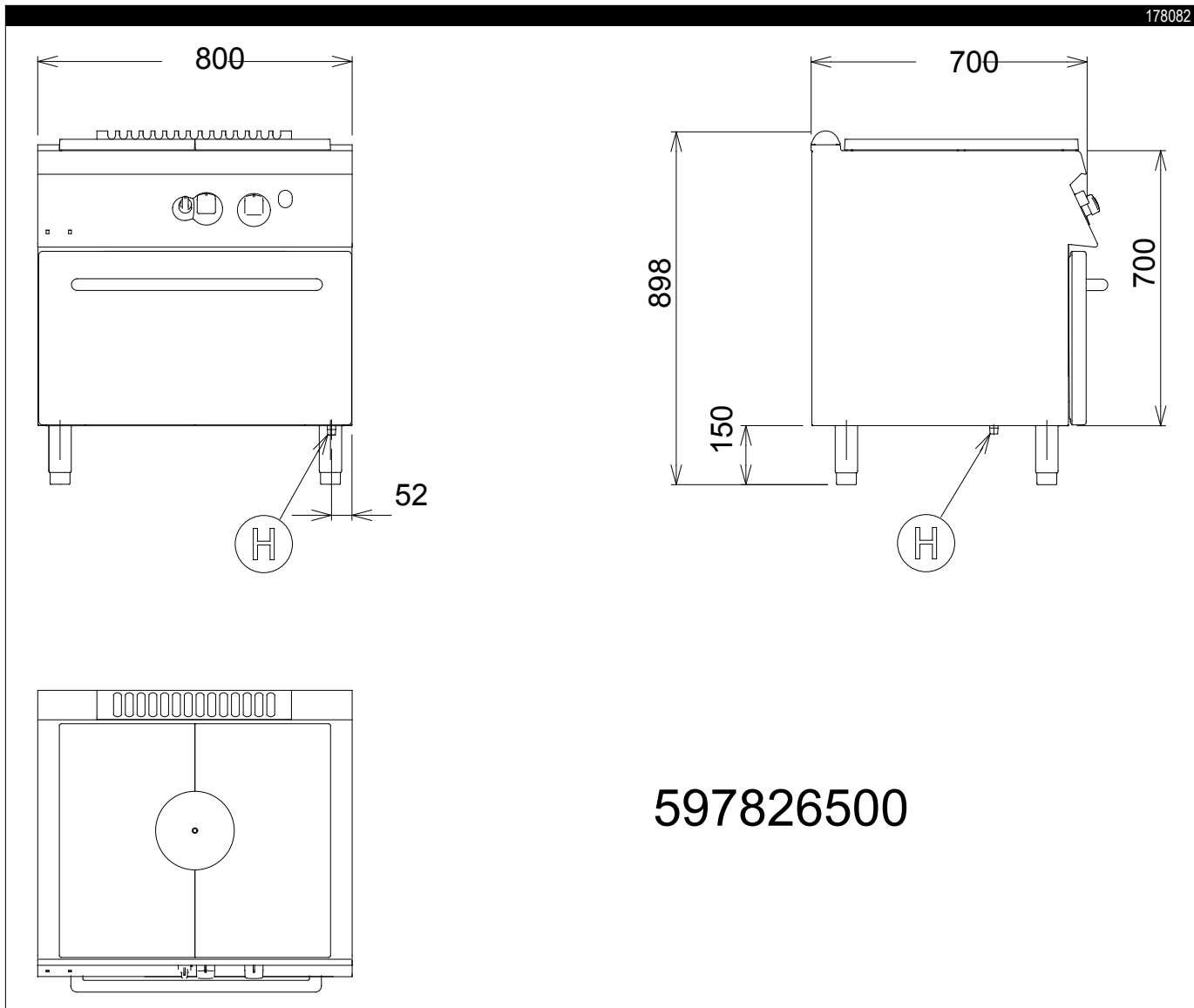
597826400

LEGEND

	KTGV800 178081
H - Gas connection	1/2"



www.zanussiprofessional.com

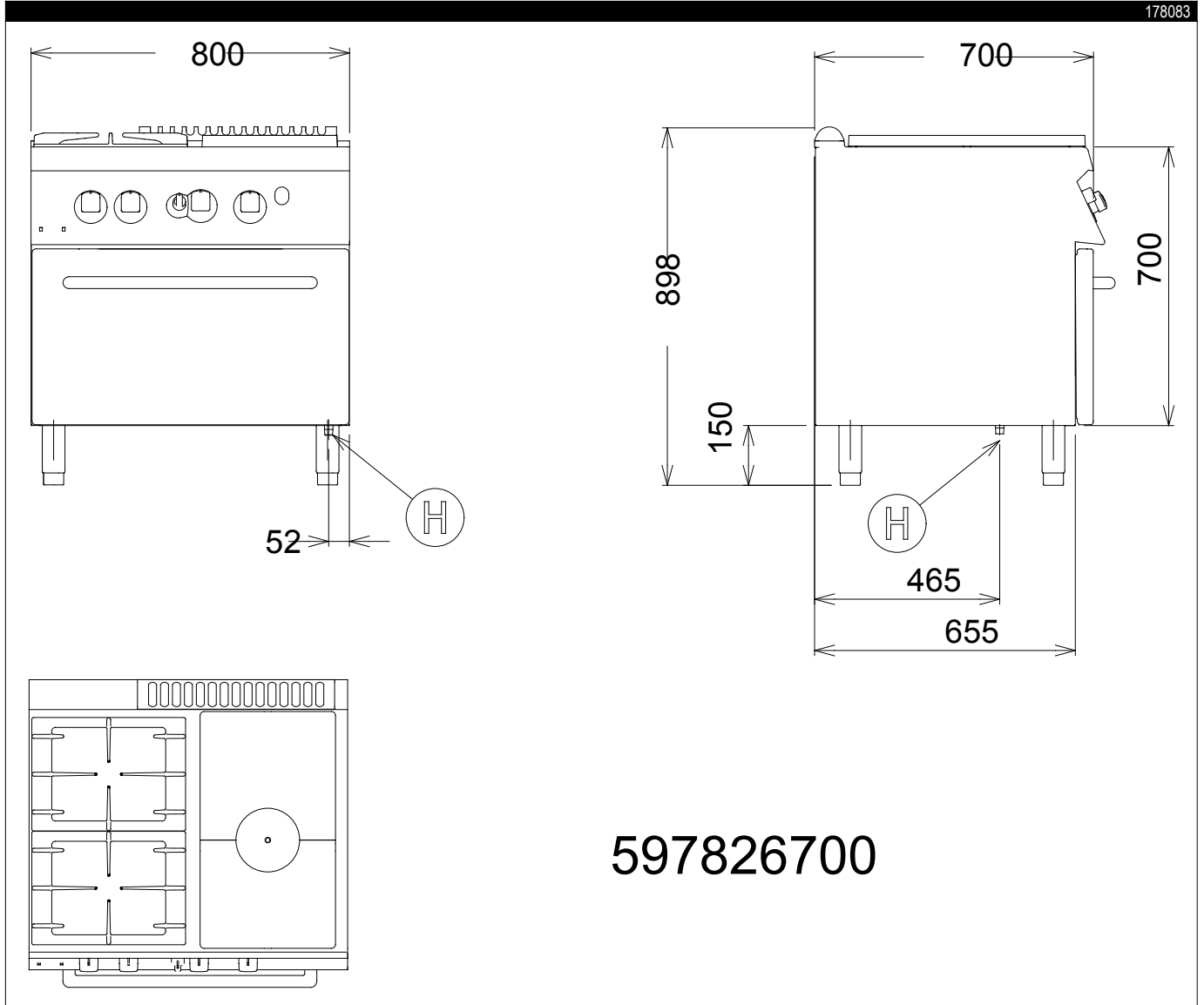


597826500

LEGEND	
H - Gas connection	KTGFG800 178082 1/2"



www.zanussiprofessional.com



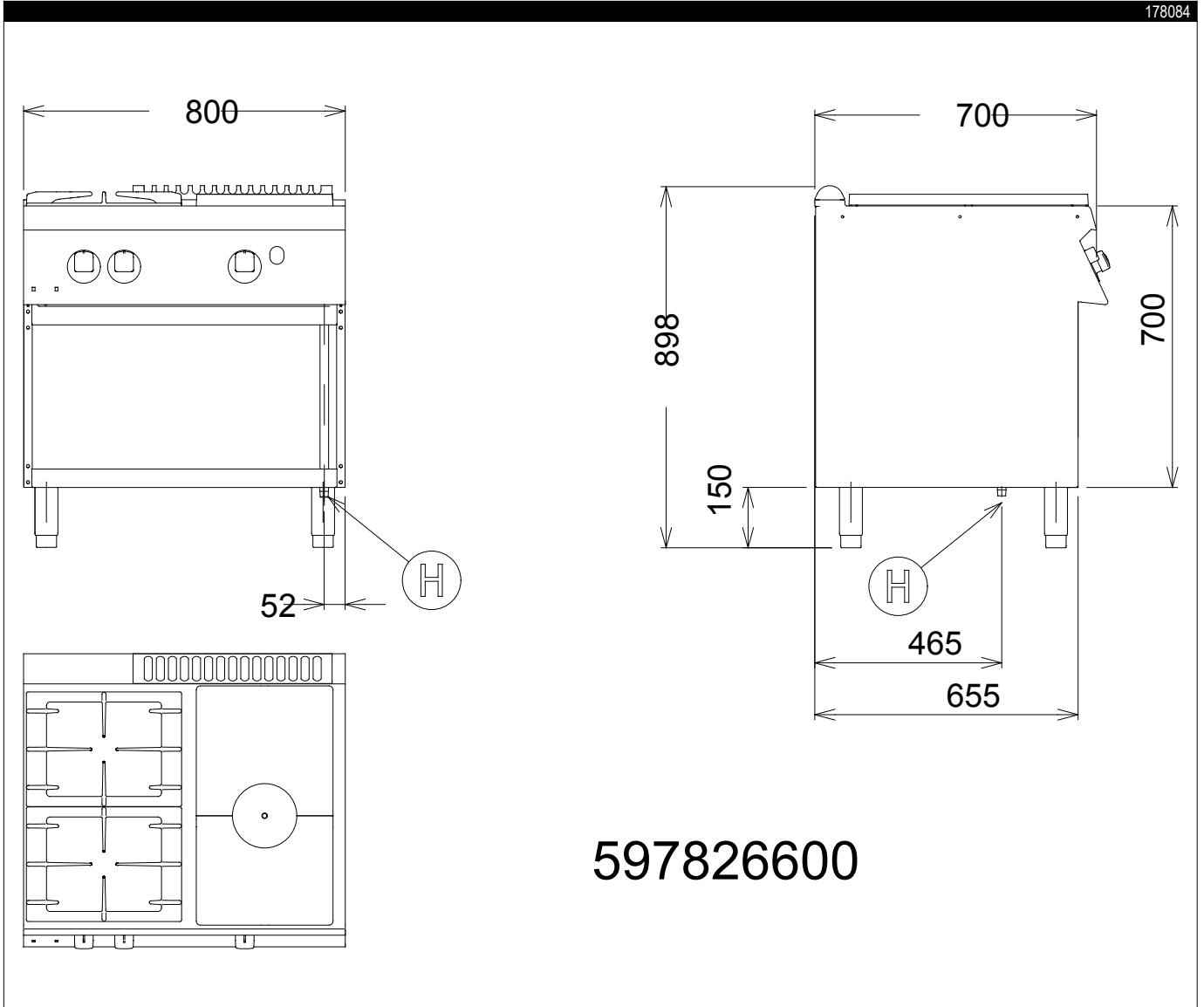
597826700

LEGEND

	KTG2FG800 178083
H - Gas connection	1/2"



www.zanussiprofessional.com



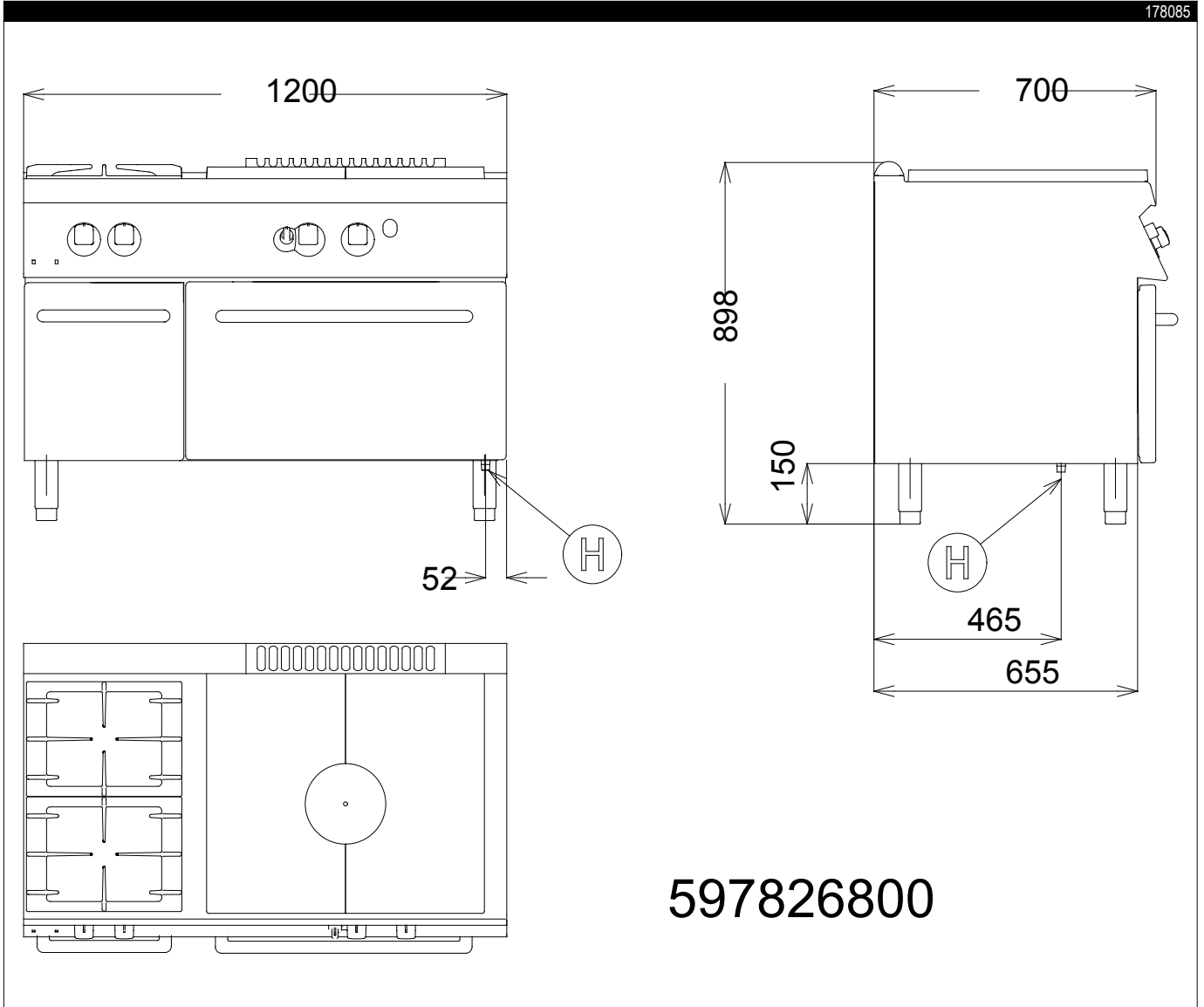
597826600

LEGEND

	KTG2V800 178084
H - Gas connection	1/2"



www.zanussiprofessional.com



597826800

LEGEND

	KTG2FG1200 178085
H - Gas connection	1/2"



www.zanussiprofessional.com