

# Whirlpool® 30" (76.2 CM) AND 36" (91.4 CM) GAS BUILT-IN COOKTOP

## PRODUCT MODEL NUMBERS

G7CG3064X                      W5CG3024X  
 G7CG3665X                      W5CG3625X

## GAS SUPPLY REQUIREMENTS

### Type of Gas

Natural Gas:

This cooktop is design-certified by CSA International for use with Natural gas or, after proper conversion, for use with LP gas.

- This cooktop is factory set for use with Natural gas. If converting to LP gas, see the "LP Gas Conversion" instructions provided in the package containing literature. The model/serial rating plate located on the underside of the cooktop base has information on the types of gas that can be used. If the types of gas listed do not include the type of gas available, check with the local gas supplier.

### LP Gas Conversion:

Conversion must be done by a qualified service technician.

No attempt shall be made to convert the cooktop from the gas specified on the model/serial rating plate for use with a different gas without consulting the serving gas supplier. See the Gas Conversion instructions provided in the package containing literature.

### Gas Supply Line

- Provide a gas supply line of 3/4" (1.9 cm) rigid pipe to the cooktop location. A smaller size pipe on longer runs may result in insufficient gas supply. Pipe-joint compounds that resist the action of LP gas must be used. Do not use TEFLON<sup>®</sup> tape. With LP gas, piping or tubing size should be 1/2" minimum. Usually, LP gas suppliers determine the size and materials used in the system.

Flexible metal appliance connector:

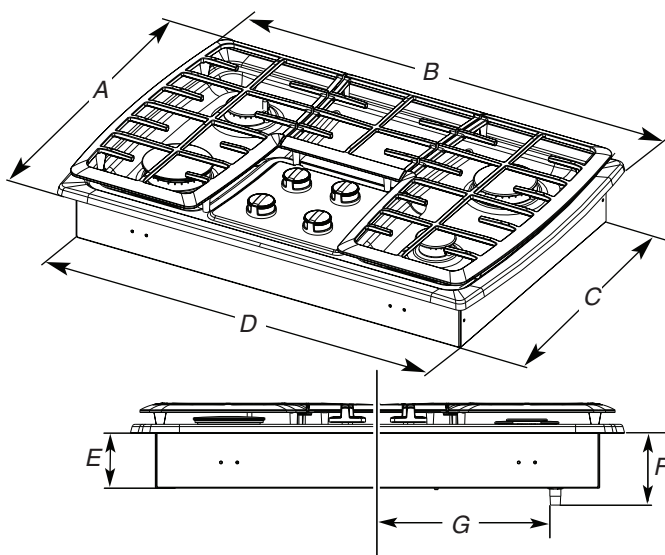
- If local codes permit, use a 1/2" or 3/4" I.D. flexible stainless steel tubing gas connector, designed by CSA to connect the cooktop to the rigid gas supply line.



- A 1/2" male pipe thread is needed for connection to the female pipe threads of the inlet to the cooktop pressure regulator.
- Do not kink or damage the flexible metal tubing when moving the cooktop.

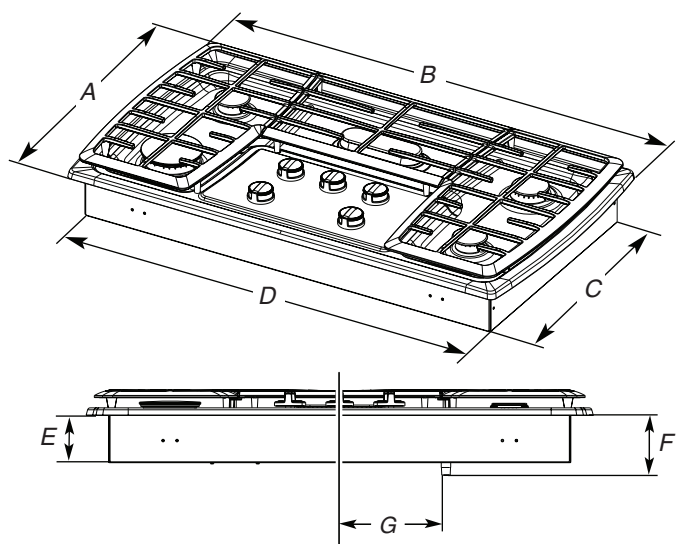
## PRODUCT DIMENSIONS

### 30" (76.2 cm) Model (G7CG3064)



A. 20 15/16" (53.2 cm)      E. 3 1/2" (8.9 cm)  
 B. 31 7/16" (79.8 cm)      F. 4 19/32" (11.7 cm)  
 C. 18 29/32" (48.0 cm)      G. 11" (27.9 cm)  
 D. 28 1/2" (72.4 cm)

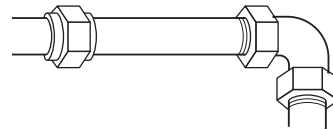
### 36" (91.4 cm) Model (G7CG3665)



A. 20 15/16" (53.2 cm)      E. 3 1/2" (8.9 cm)  
 B. 37 19/32" (95.4 cm)      F. 4 19/32" (11.6 cm)  
 C. 18 29/32" (48.0 cm)      G. 7 1/2" (19.1 cm)  
 D. 34 1/2" (87.6 cm)

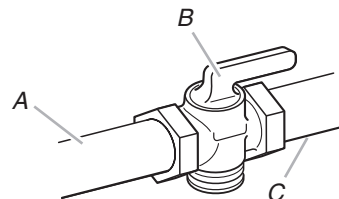
### Rigid pipe connection:

The rigid pipe connection requires a combination of pipe fittings to obtain an in-line connection to the cooktop. The rigid pipe must be level with the cooktop connection. All strains must be removed from the supply and fuel lines so cooktop will be level and in line.



- Must include a shutoff valve:

The supply line must be equipped with a manual shutoff valve. This valve should be located in the same room but external to the cooktop opening, such as an adjacent cabinet. It must be accessible without removing the cooktop, and it should be in a location that allows ease of opening and closing. Do not block access to shutoff valve. The valve is for turning on or shutting off gas to the cooktop.



A. Gas supply line  
 B. Shutoff valve "open" position  
 C. To cooktop

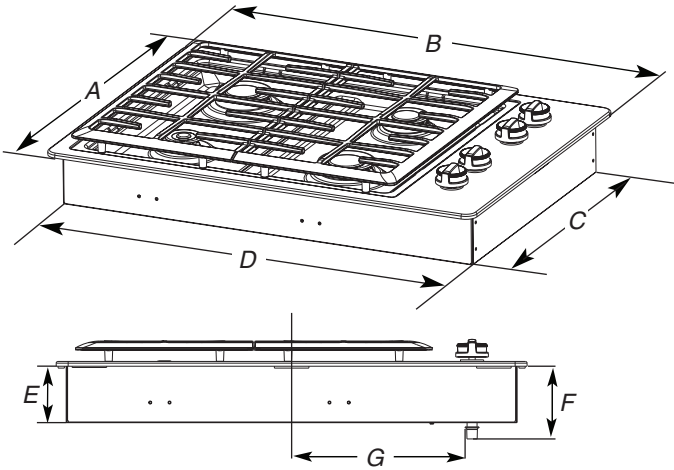
<sup>1</sup>TEFLON is a registered trademark of E.I. Du Pont De Nemours and Company.

## ELECTRICAL REQUIREMENTS

- A 120 volt, 60 Hz, AC only, 15-amp, fused electrical circuit is required. A time-delay fuse or circuit breaker is also recommended. It is recommended that a separate circuit serving only this cooktop be provided.
- Electronic ignition systems operate within wide voltage limits, but proper grounding and polarity are necessary. Check that the outlet provides 120-volt power and is correctly grounded.

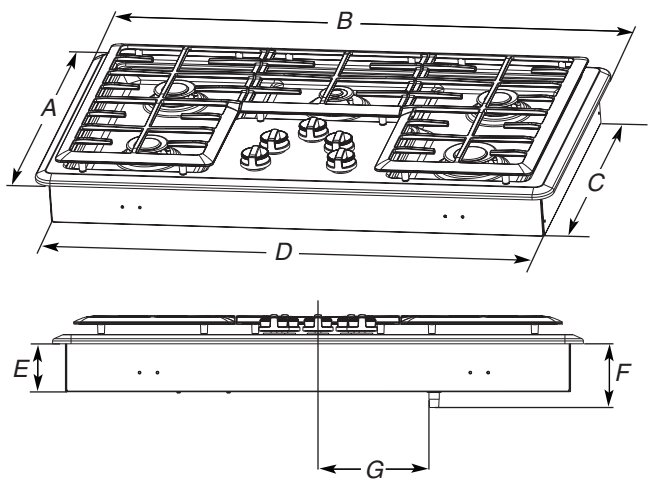
## PRODUCT DIMENSIONS (cont.)

### 30" (76.2 cm) Model (W5CG3024)



- A. 21½" (54.6 cm)
- B. 29½" (75.0 cm)
- C. 18<sup>29</sup>/<sub>32</sub>" (48.0 cm)
- D. 28½" (72.4 cm)
- E. 3<sup>21</sup>/<sub>32</sub>" (9.3 cm)
- F. 4<sup>19</sup>/<sub>32</sub>" (11.6 cm)
- G. 10<sup>7</sup>/<sub>8</sub>" (27.6 cm)

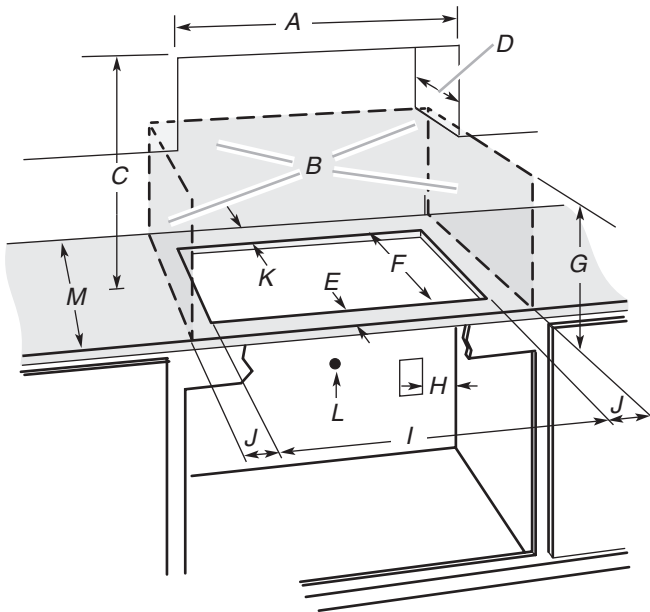
### 36" (91.4 cm) Model (W5CG3625)



- A. 21" (53.3 cm)
- B. 36" (91.4 cm)
- C. 18<sup>29</sup>/<sub>32</sub>" (48.0 cm)
- D. 34½" (87.6 cm)
- E. 3<sup>3</sup>/<sub>8</sub>" (8.6 cm)
- F. 4<sup>11</sup>/<sub>32</sub>" (11.0 cm)
- G. 7½" (19.1 cm)

## CABINET DIMENSIONS

**IMPORTANT:** If installing a range hood or microwave hood combination above the cooktop, follow the range hood or microwave hood combination installation instructions for dimensional clearances above the cooktop surface.



- A. 30" (76.2 cm) on 30" models; 36" (91.4 cm) on 36" models
- B. Combustible area above countertop (shown by dashed box above)
- C. 30" (76.2 cm) minimum clearance between top of cooktop platform and bottom of uncovered wood or metal cabinet (24" [61 cm] minimum clearance if bottom of wood or metal cabinet is covered by not less than ¼" [0.6 cm] flame retardant millboard covered with not less than No. 28 MSG sheet steel, 0.015" [0.04 cm] stainless steel, or 0.024" [0.06 cm] aluminum or 0.020" [0.05 cm] copper)
- D. 13" (33 cm) recommended upper cabinet depth
- E. 3½" (7.9 cm)
- F. 19" (48.3 cm)
- G. 18" (45.7 cm) minimum clearance from upper cabinet to countertop within minimum horizontal clearances to cooktop
- H. Grounded outlet - Locate within 24" (61 cm) of right rear corner of cutout (with no undercounter built-in oven installed below cooktop)
- I. 29" (73.7 cm) on 30" models; 35¼" (89.5 cm) on 36" models
- J. 8⅜" (21.3 cm) minimum distance to nearest left and right side combustible surface
- K. 2⅞" (7.3 cm) minimum distance to rear combustible surface
- L. Gas line opening - Wall: Anywhere 5" (12.7 cm) below underside of countertop. Cabinet floor: anywhere within 6" (15.2 cm) of rear wall is recommended (with no undercounter built-in oven installed below cooktop)
- M. 25" (63.5 cm) minimum countertop depth is required

**NOTES:** After making the countertop cutout, some installations may require notching down the base cabinet side walls to clear the cooktop base. To avoid this modification, use a base cabinet with sidewalls wider than the cutout.

If cabinet has a drawer, a 4" (10.2 cm) depth clearance from the countertop to the top of the drawer (or other obstruction) in base cabinet is required. The drawer depth may need to be shortened to avoid interfering with the regulator.

**IMPORTANT:** If an undercounter built-in wall oven is to be installed below this cooktop, the grounded outlet (H) and gas supply piping must be located in an adjacent cabinet.

This cooktop and its gas and electrical supply sources must be installed before the undercounter built-in wall oven is installed.