

# Whirlpool® Gas Built-in Cooktop

## PRODUCT MODEL NUMBERS

GLS3665R

This cooktop is factory-set for use with Natural gas. To convert to LP gas, see the Gas Conversion instructions provided in the package containing the literature. The model/serial rating plate located on the underside of the burner box has information on the types of gas that can be used. If the types of gas listed do not include the type of gas available, check with the local gas supplier.

### LP Gas conversion:

Conversion must be done by a qualified service technician.

### Gas Supply Line:

- Provide a gas supply line of  $\frac{3}{8}$ " (1.9 cm) rigid pipe to the cooktop location. A smaller size pipe on longer runs may result in insufficient gas supply. Pipe-joint compounds that resist the action of LP gas must be used. Do not use TEFLON® tape. With LP gas, piping or tubing size can be  $\frac{1}{2}$ " minimum. Usually, LP gas suppliers determine the size and materials used in the system.

### Flexible metal appliance connector:

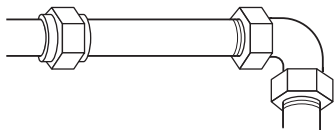
- If local codes permit, use a  $\frac{5}{8}$ " flexible stainless steel tubing gas connector, designed by CSA to connect the cooktop to the rigid gas supply line.



- A  $\frac{1}{2}$ " (1.3 cm) male pipe thread is needed for connection to the female pipe threads of the inlet to the appliance pressure regulator.
- Do not kink or damage the flexible metal tubing when moving the cooktop.

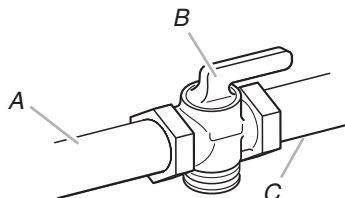
### Rigid pipe connection:

The rigid pipe connection requires a combination of pipe fittings to obtain an in-line connection to the cooktop. The rigid pipe must be level with the cooktop connection. All strains must be removed from the supply and fuel lines so cooktop will be level and in line.



Must include a shutoff valve:

The supply line must be equipped with a manual shutoff valve. This valve should be located in the same room but external to the cooktop opening, such as an adjacent cabinet. It should be in a location that allows ease of opening and closing. Do not block access to shutoff valve. The valve is for turning on or shutting off gas to the cooktop.

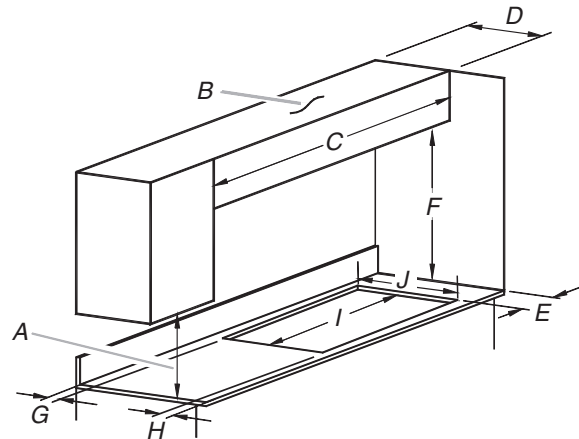


A. Gas supply line  
B. Shutoff valve "open" position  
C. To cooktop

**Electrical:** A 120 volt, 60 Hz., AC only, 15-amp fused, electrical circuit is required. A time-delay fuse or circuit breaker is also recommended. It is recommended that a separate circuit serving only this cooktop be provided.

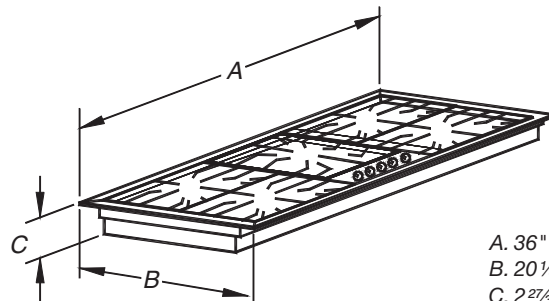
†®TEFLON is a registered trademark of E.I. Du Pont De Nemours and Company.

## INSTALLATION CLEARANCES



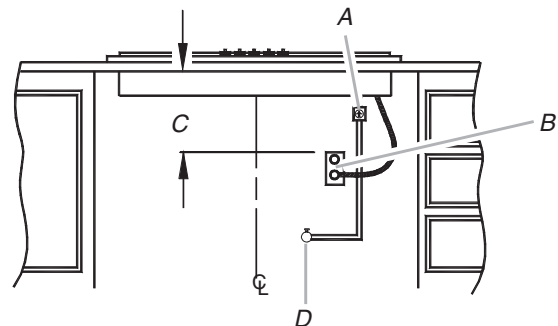
- A. 18" (45.7 cm) minimum clearance upper cabinet to countertop
- B. Cabinet
- C. 36" (91.4 cm) on 36" (91.4 cm) models
- D. 13" (33 cm) maximum recommended upper cabinet depth
- E. 6" (15.2 cm) minimum side wall clearance
- F. 30" (76.2 cm) minimum clearance between top of cooktop platform and bottom of uncovered wood or metal cabinet (24" [61 cm] minimum clearance if bottom of wood or metal cabinet is protected by not less than  $\frac{1}{4}$ " [0.6 cm] flame retardant millboard covered with not less than No. 28 MSG sheet steel, 0.015" [0.04 cm] stainless steel, or 0.024" [0.06 cm] aluminum or 0.020" [0.05 cm] copper)
- G.  $2\frac{5}{16}$ " (5.9 cm) minimum distance to rear combustible surface
- H.  $3\frac{3}{16}$ " (8.1 cm) minimum distance to front countertop edge
- I. Cutout width -  $35\frac{3}{8}$ " (89.9 cm)
- J. Cutout depth -  $19\frac{1}{2}$ " (49.5 cm)

## OVERALL DIMENSIONS



- A. 36" (91.4 cm)
- B.  $20\frac{1}{8}$ " (51.1 cm)
- C.  $2\frac{27}{32}$ " (7.2 cm)

## GAS AND ELECTRIC CONNECTION LOCATIONS



- A. Gas pressure regulator (supplied) - arrow pointed toward cooktop
- B. 3 prong grounding type outlet with correct polarity
- C. 18" (45.7 cm) minimum
- D. Gas shutoff valve