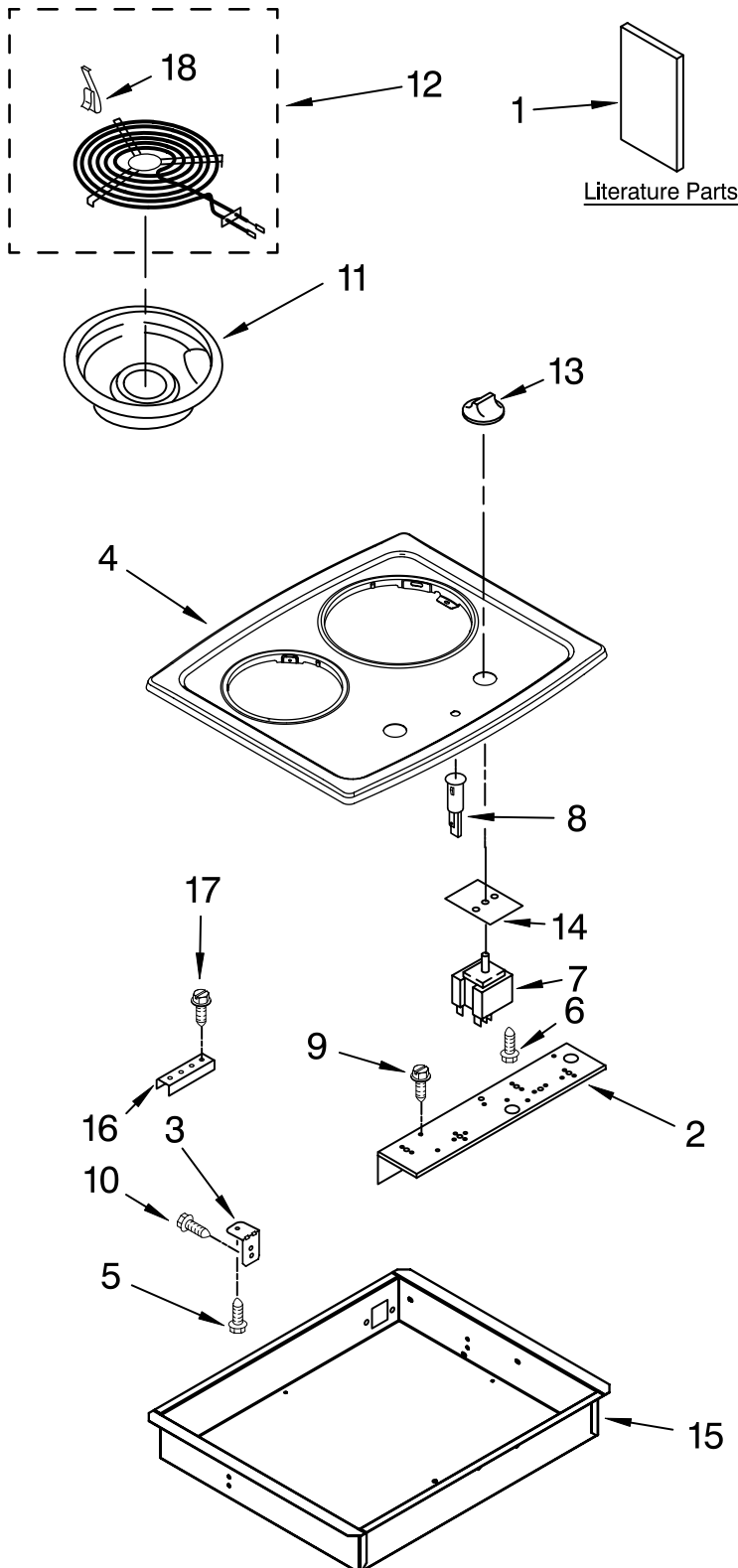




COOKTOP PARTS

For Models: RCS2012RS03
(Stainless)

20" ELECTRIC
BUILT-IN
COOKTOP



Illus. No.	Part No.	DESCRIPTION
1	8286310	Literature Parts Installation Instructions
	8286613	Use & Care Guide Safer Cooking Tips
	3191638	English
	9759133	French
2	8286443	Bracket, Switch Mounting
3	3192454	Bracket, Mounting
4	W10140169	Cooktop
5	3196160	Screw
6	3400855	Screw
7		Switch Infinite
	3191472	Use W/8" Element (Silver Shaft)
	3191471	Use W/6" Element (Blue Shaft)
8	4456181	Light, Indicator
9	3177991	Screw
10	3196537	Screw
11		Pan, Surface Unit
	3195208	6"
	3195209	8"
12		Element, Surface
	8053265	6"
	8053267	8"
13	8286043BL	Knob, Control (2)
14	3183956	Seal, Switch Shaft (2)
15	W10005700	Burner Box
16	4455917	Bracket, Mounting
17	3400093	Screw
18	3195917	Clip, Element

FOR ORDERING INFORMATION REFER TO PARTS PRICE LIST

OPTIONAL PARTS (NOT INCLUDED)

For Models:RCS2012RS03

(Stainless)

<u>Illus. No.</u>	<u>Part No.</u>	<u>DESCRIPTION</u>
-------------------	-----------------	--------------------

**FOLLOWING PARTS
NOT ILLUSTRATED**

SPLICING WIRES--25FT.

LENGTH

242828	Wire, Black 12 Ga. 150°C
242820	Wire, Black 14 Ga. 150°C
242821	Wire, Blue 14 Ga. 150°C
242822	Wire, Brown 14 Ga. 150°C
242830	Wire, Brown 14 Ga. 200°C
242823	Wire, Green 14 Ga. 150°C
242824	Wire, Orange 14 Ga. 150°C
242829	Wire, Red 12 Ga. 150°C
242825	Wire, Red 14 Ga. 150°C
242831	Wire, Red 14 Ga. 200°C
242826	Wire, White 14 Ga. 150°C
242827	Wire, Yellow 14 Ga. 150°C
242832	Wire, Yellow 14 Ga. 200°C

WIRING HARNESS PARTS

Wiring Harness Parts

8286437	Harness, Main
W10005710	Bracket, Harness Cover
W10005730	Conduit Assembly
3400015	Screw
4455805	Grommet, Harness