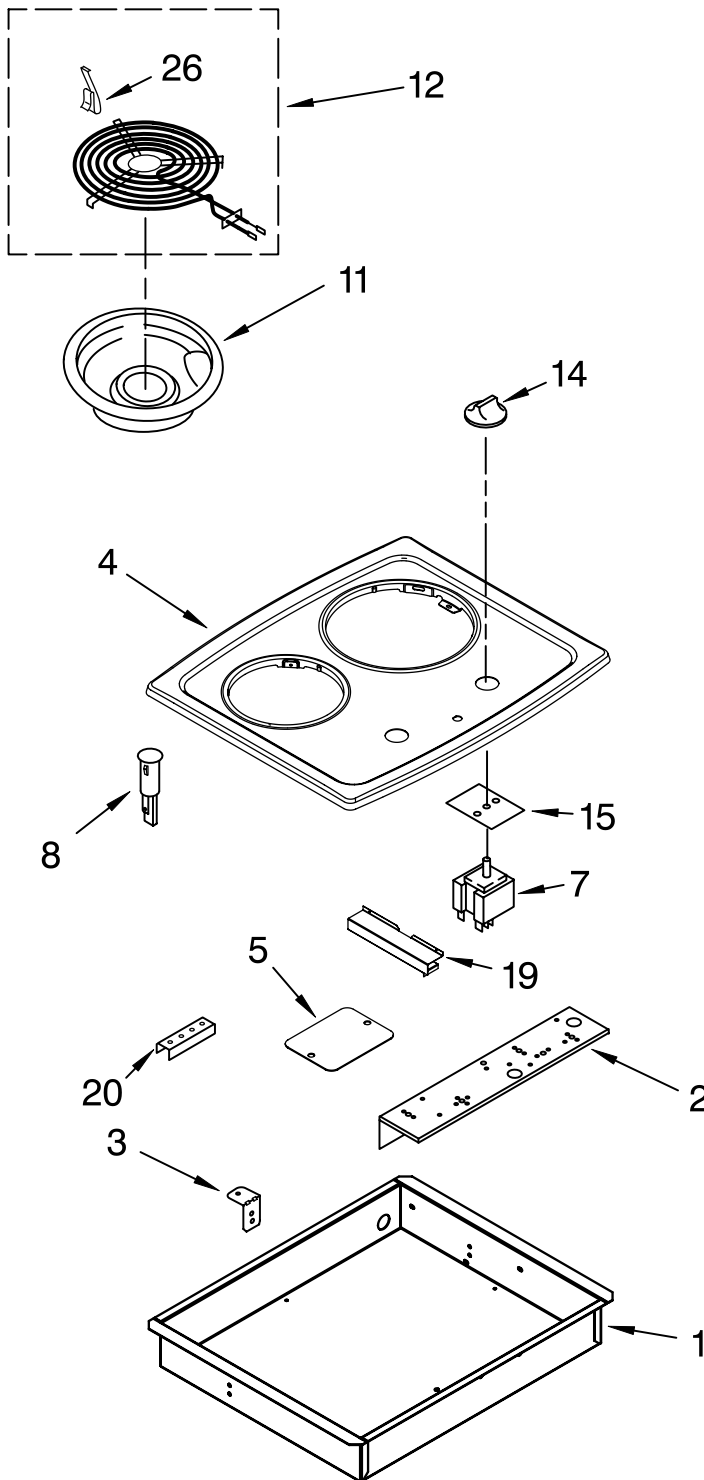




COOKTOP PARTS

For Models: RCS2012RS00
(Stainless Steel)

20" ELECTRIC
BUILT-IN
COOKTOP



Illus. No.	Part No.	DESCRIPTION
1	8286376	Burner Box
2	8286402	Bracket, Switch Mounting
	3177991	Screw
3	3192454	Bracket, Mounting
	3196537	Screw
4		Cooktop
	8286389LM	Stainless Steel
5	8286388	Cover, Switch Bracket
	3400083	Screw
7		Switch Infinite
	3191472	Use W/8" Element (Silver Shaft)
	3191471	Use W/6" Element (Blue Shaft)
	3400855	Screw
8	4456181	Light, Indicator
11		Pan, Surface Unit
	3195208	6"
	3195209	8"
12		Element, Surface
	8053265	6"
	8053267	8"
14	8286043BL	Knob, Control (2)
15	3183956	Seal, Switch Shaft (2)
19	8286377	Cover, Conduit
	3400015	Screw (1)
	3196160	Screw (2)
20	8286372	Bracket, Mounting
26	3195917	Clip, Element

LITERATURE PARTS

- 8285529 Installation, Instructions
- 8285327 Use & Care Guide
- 3192088 Wire Diagram

FOR ORDERING INFORMATION REFER TO PARTS PRICE LIST

OPTIONAL PARTS

For Models:RCS2012RS00
(Stainless Steel)

<u>Illus. No.</u>	<u>Part No.</u>	<u>DESCRIPTION</u>
-------------------	-----------------	--------------------

**FOLLOWING PARTS
NOT ILLUSTRATED**

SPLICING WIRES--25FT.

LENGTH

242828	Wire, Black 12 Ga. 150°C
242820	Wire, Black 14 Ga. 150°C
242821	Wire, Blue 14 Ga. 150°C
242822	Wire, Brown 14 Ga. 150°C
242830	Wire, Brown 14 Ga. 200°C
242823	Wire, Green 14 Ga. 150°C
242824	Wire, Orange 14 Ga. 150°C
242829	Wire, Red 12 Ga. 150°C
242825	Wire, Red 14 Ga. 150°C
242831	Wire, Red 14 Ga. 200°C
242826	Wire, White 14 Ga. 150°C
242827	Wire, Yellow 14 Ga. 150°C
242832	Wire, Yellow 14 Ga. 200°C

WIRING HARNESS PARTS

Wiring Harness Parts	
8286424	Harness, Wiring (Main)
8286394	Conduit Assembly
4454384	Ground Wire
3400015	Screw
4455805	Grommet, Harness