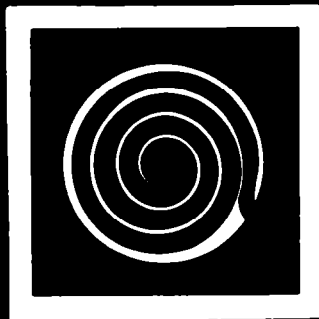


# Installation Instructions



**for  
your new**



**ELECTRIC BUILT-IN GLASS  
SOLID ELEMENT COOK TOP**

# 1. BEFORE YOU BEGIN

Read the following instructions completely and carefully. If followed, they will simplify the installation job.

## IMPORTANT:

Observe all governing codes and ordinances.

**SAVE THESE INSTRUCTIONS FOR THE LOCAL ELECTRICAL INSPECTOR'S USE.**

# 2. ELECTRICAL REQUIREMENTS

A three-wire single phase 240 Volt, 60 Hz AC only electrical supply is required on a separate circuit fused on both sides of the line (time-delay fuse or circuit breaker is recommended). DO NOT fuse neutral. The fuse size must not exceed the circuit rating of the appliance specified on the nameplate. NOTE: Wire sizes and connections must conform with the fuse size and rating of the appliance in accordance with the National Electrical Code and local codes and ordinances.

**WARNING: AN EXTENSION CORD SHOULD NOT BE USED WITH THIS APPLIANCE. SUCH USE MAY RESULT IN A FIRE, ELECTRICAL SHOCK, OR OTHER PERSONAL INJURY.**

The appliance should be connected to the fused disconnect (or circuit breaker) box through flexible armored or non-metallic sheathed cable. The flexible armored cable extending from the appliance should be connected directly to the junction box. The junction box should be located as shown in Figure 1 so that as much slack as possible remains in the cable between the box and the appliance so that it can be moved if servicing is ever necessary.

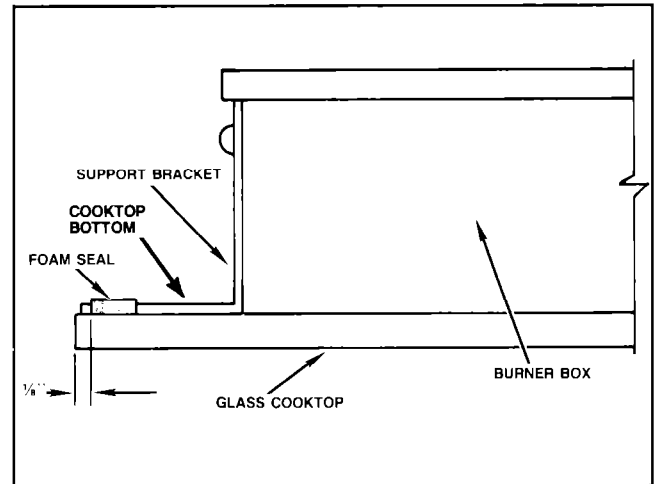
A suitable strain relief must be provided to attach the power supply cord to the junction box.

# 3. CARPENTRY

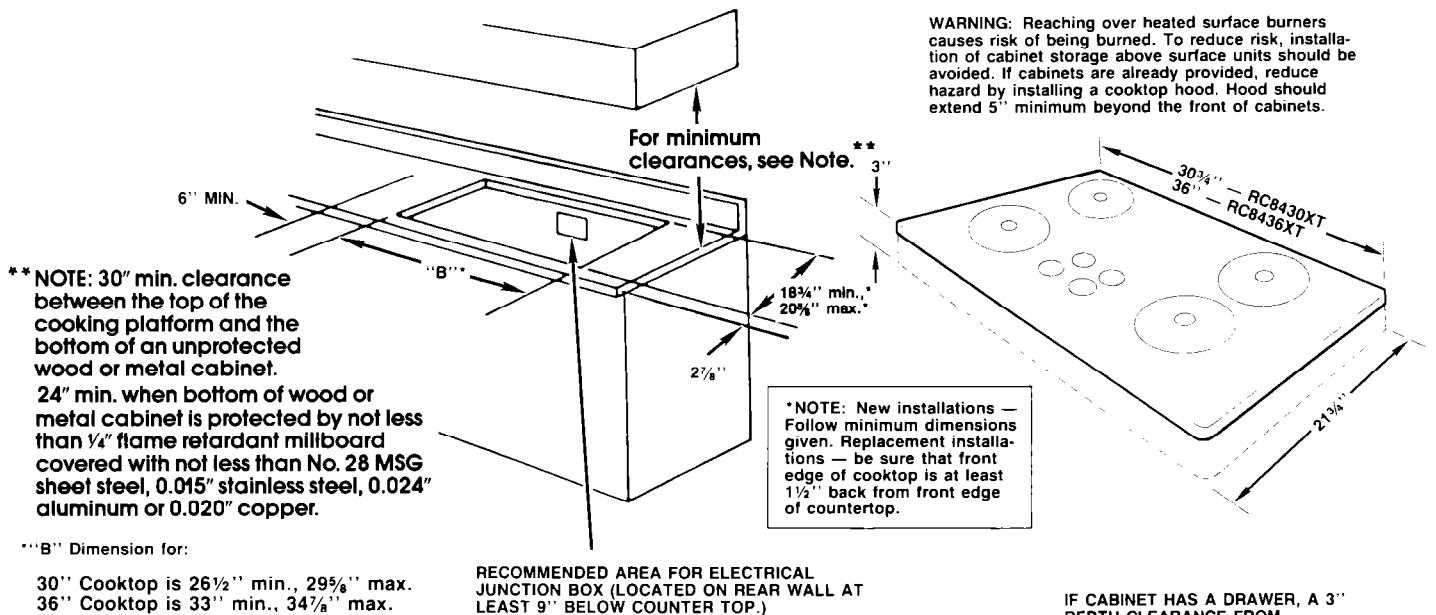
See Figure 1 for the dimensions of typical counter top cut-out. The cut-out must be located so that when the cook top is set in place there is at least 1 1/2 inches between the front edge of the cook top and the front edge of the counter top. A 6 inch space must be left between the side(s) of the cook top and any vertical wall or cabinet extending above the upper edge of the cook top. This built-in cook top has a shallow burner box (3") which allows the unit to be mounted above the cabinet drawers that are more than 3 inches below the top of counter top.

# 4. PREPARATION FOR INSTALLATION

- A. Remove the styrofoam end caps from packaging. Position them on the counter next to the cutout so they can support the cooktop.
- B. Turn the cooktop upside down and support it on the endcaps removed in step A. (See figure 2)



**FIGURE 2**



**FIGURE 1**

C. Attach the foam seal strip as follows:

1. Lay foam strip on bottom of cooktop (long side). Cut strip to fit. (See Figure 2)
2. Remove backing paper from strip.
3. Install strip  $\frac{1}{8}$ " in from edge along cooktop side. (See Figure 2)
4. Repeat steps 1 through 3 for the remaining 3 sides of cooktop.

D. Turn cooktop right side up and again support it on the end caps next to the cutout.

## 5. ELECTRICAL CONNECTION

Connect the flexible armored cable that extends from the surface unit to the junction box using a suitable strain relief at the point the armored cable enters the junction box. Then make the electrical connection as follows:

It is the personal responsibility and obligation of the customer to contact a qualified installer to assure that the electrical installation is adequate and is in conformance with the National Electrical Code and local code ordinances.

### ELECTRICAL GROUND IS REQUIRED ON THIS APPLIANCE.

This appliance is equipped with copper lead wires. If connection is made to aluminum house wiring, use only special connectors which are approved for joining copper and aluminum wires in accordance with the National Electrical Code and local codes and ordinances.

This appliance is manufactured with a frame-connected bare grounding wire.

Where local codes permit connecting the frame-grounding conductor to the neutral (white) junction box wire:

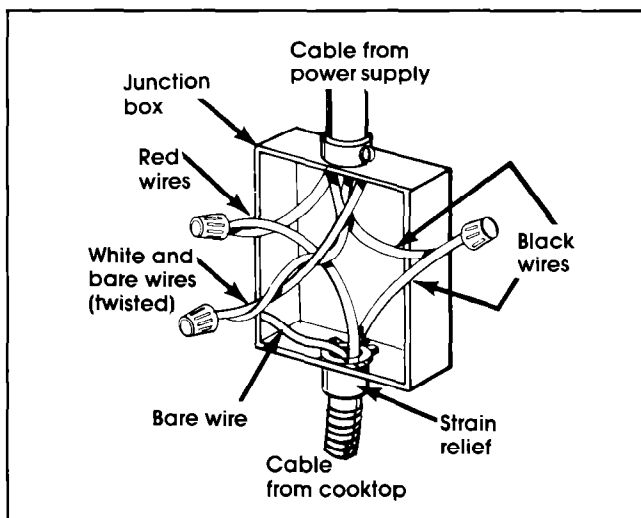


FIGURE 3

1. Connect together 2 wires: the green or bare appliance cable wire and the white wire in the junction box.
2. Connect the two black wires. Then connect the two red wires. (See figure 3)

Where local codes DO NOT permit connecting the frame-grounding conductor to the neutral (white) junction box wire:

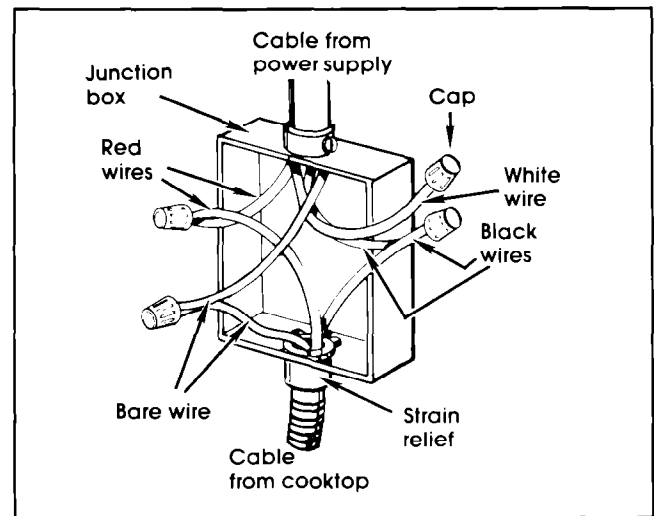


FIGURE 4

1. Connect the two black wires. Then connect the two red wires. (See figure 4)
2. Connect the green or bare grounding wire from the appliance cable to a grounded wire in the junction box or to a grounded, copper, cold water pipe.
3. **DO NOT ground to a gas supply pipe.** Do Not connect to electrical supply until appliance is permanently grounded. (See figure 5) Grounded, cold water pipe must have metal continuity to electrical ground and not be interrupted by plastic, rubber or other insulating, electrical connectors such as hoses, fittings, washers or gaskets (including water meter or pump). Any insulating, electrical connector should be jumped as shown with a length of No. 4 copper wire securely clamped to bare metal at both ends.

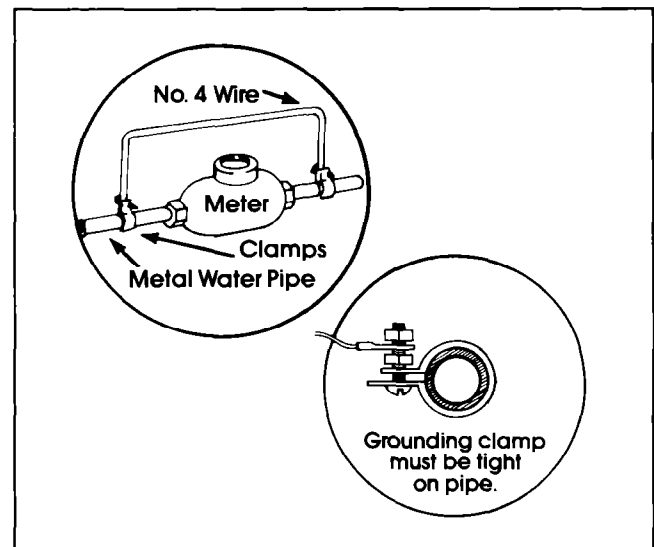
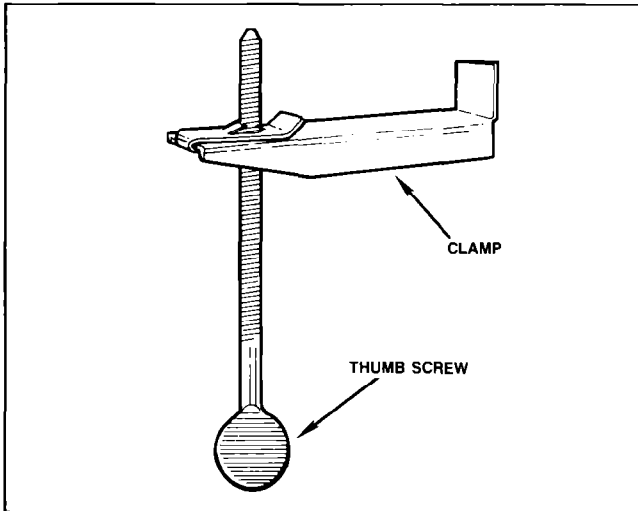


FIGURE 5

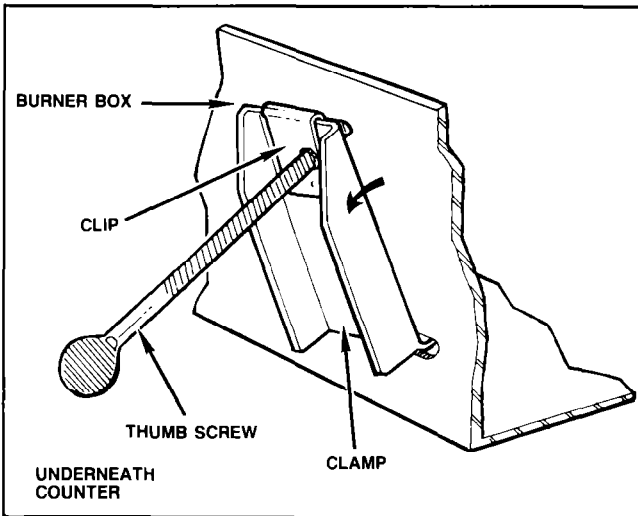
## 6. INSTALLATION

A. Center cooktop in the countertop opening. If cooktop is not properly positioned, lift complete unit and lower it again. This is to prevent any damage to the foam seal strip.

**B. Assemble the two clamps. (See figure 6)**



**FIGURE 6**



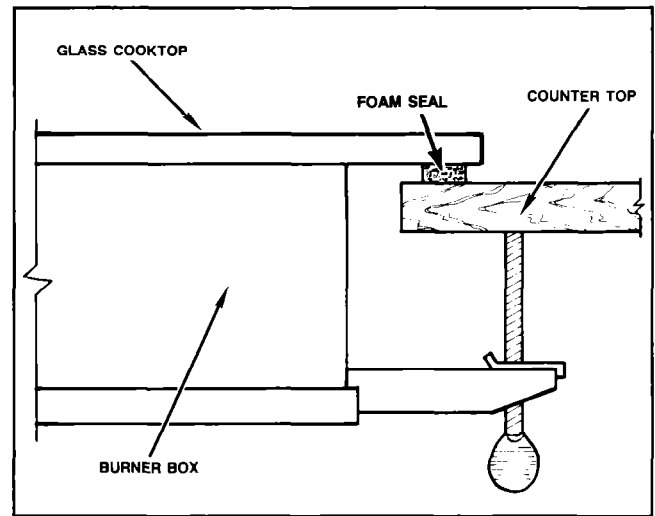
**FIGURE 7**

C. Working below the countertop, insert one clamp into slot located on either side of the burner box. (See figure 7)

D. Rotate clamps so that thumb screws are vertical.

To secure cooktop to countertop, hand-tighten each thumb screw while lightly applying pressure to countertop above each clamp. (See figure 8)

**CAUTION:** Do not overtighten thumb screws. Apply only enough tension to hold the unit in place.



**FIGURE 8**

**7. CHECK OPERATION**

REFER TO USE AND CARE GUIDE PACKAGED WITH THE BUILT-IN COOK TOP TO CHECK FOR PROPER CARE AND CLEANING OF YOUR BUILT-IN COOK TOP.

**CAUTION:** Do not touch the elements. They may be hot and you may get burned.

Turn on each of the four (4) surface elements and check to see that they heat. Check the surface element indicator lights.

**8. SERIAL PLATE LOCATION**

The serial plate is located on the bottom of the burner box.

**BEFORE YOU CALL FOR SERVICE**

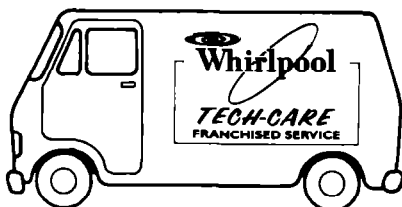
CHECK TO MAKE SURE THE HOUSE FUSE OR CIRCUIT BREAKER FOR YOUR BUILT-IN COOK TOP IS NOT BLOWN OR OPEN.

My Selling Dealer:

NAME \_\_\_\_\_

ADDRESS \_\_\_\_\_

PHONE \_\_\_\_\_



In the event your WHIRLPOOL appliance should need service, call the dealer from whom you purchased the appliance or a WHIRLPOOL franchised TECH-CARE® service company. He is in the Yellow Pages of your telephone directory listed under "Appliances-Household-Major-Service and Repair." You can also obtain his name and number by dialing, free, the Whirlpool COOL-LINE® Service (800) 253-1301. Dial just as you normally dial long distance. A special operator will tell you the name and number of your nearest Whirlpool TECH-CARE service outlet. During normal working hours, Whirlpool consultants at this same number will also answer any questions about operating or maintaining your appliance not covered in your Use and Care Guide.

Learn the benefits of using TECH-CARE service for maintaining the quality originally built into your Whirlpool appliances.

**WHIRLPOOL CORPORATION, BENTON HARBOR, MICHIGAN 49022**