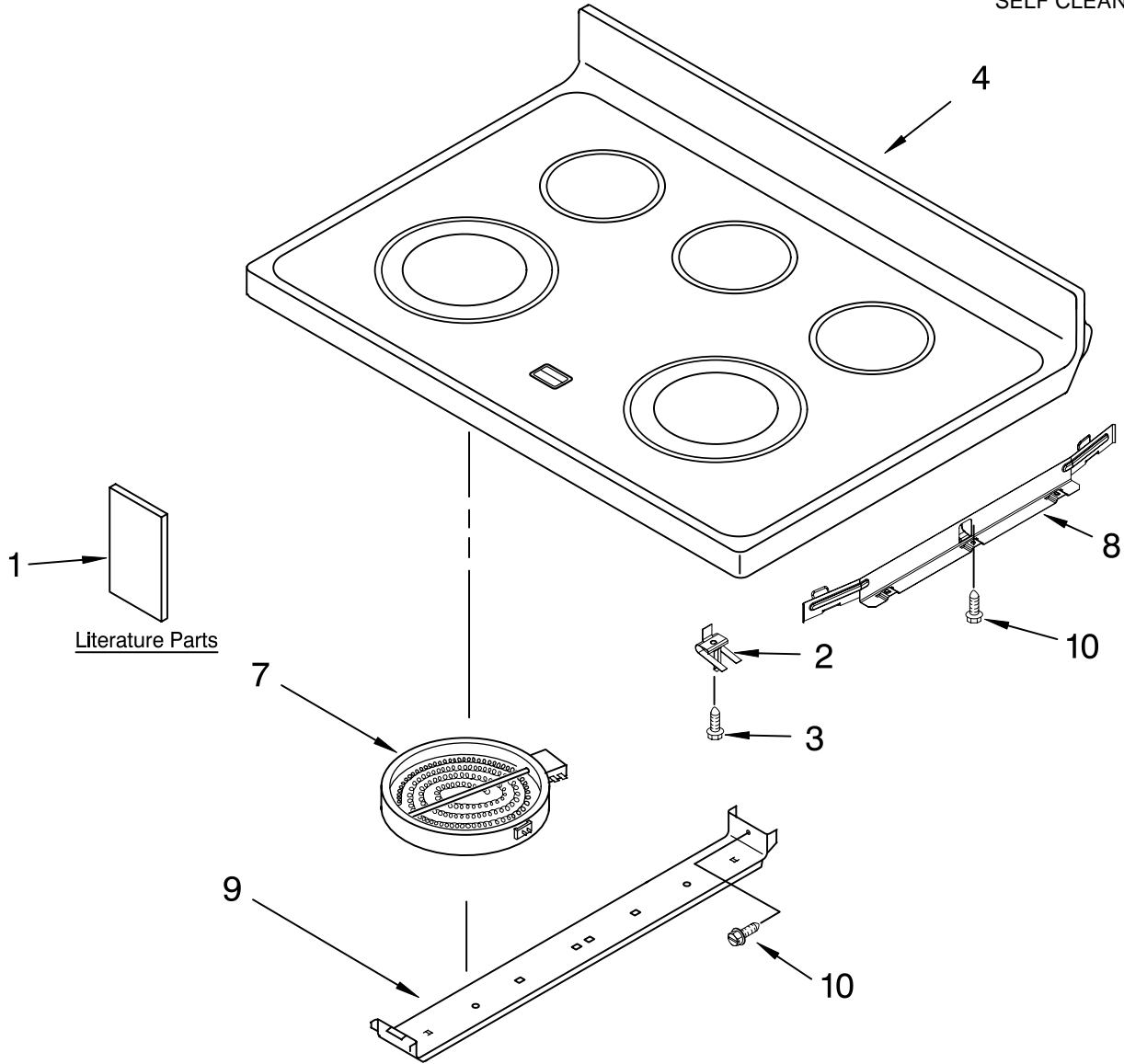




COOKTOP PARTS

For Models: GR563LXSQ1, GR563LXSB1, GR563LXST1, GR563LXSS1
 (White) (Black) (Biscuit) (Black Stainless)

30" ELECTRIC CERAN
 FREESTANDING RANGE
 SELF CLEAN OVEN



| Illus. No. | Part No. | DESCRIPTION |
|------------|----------|---------------------------|
| 1 | | Literature Parts |
| | 9762981 | Tech Sheet |
| | 9762996 | Installation Instructions |
| | | Template, Anti-Tip |
| | 9757143 | English/French |
| | 9757142 | English/Spanish |
| | 9762761 | Safer Cooking Tips |
| | 9763001 | Owner's Manual |

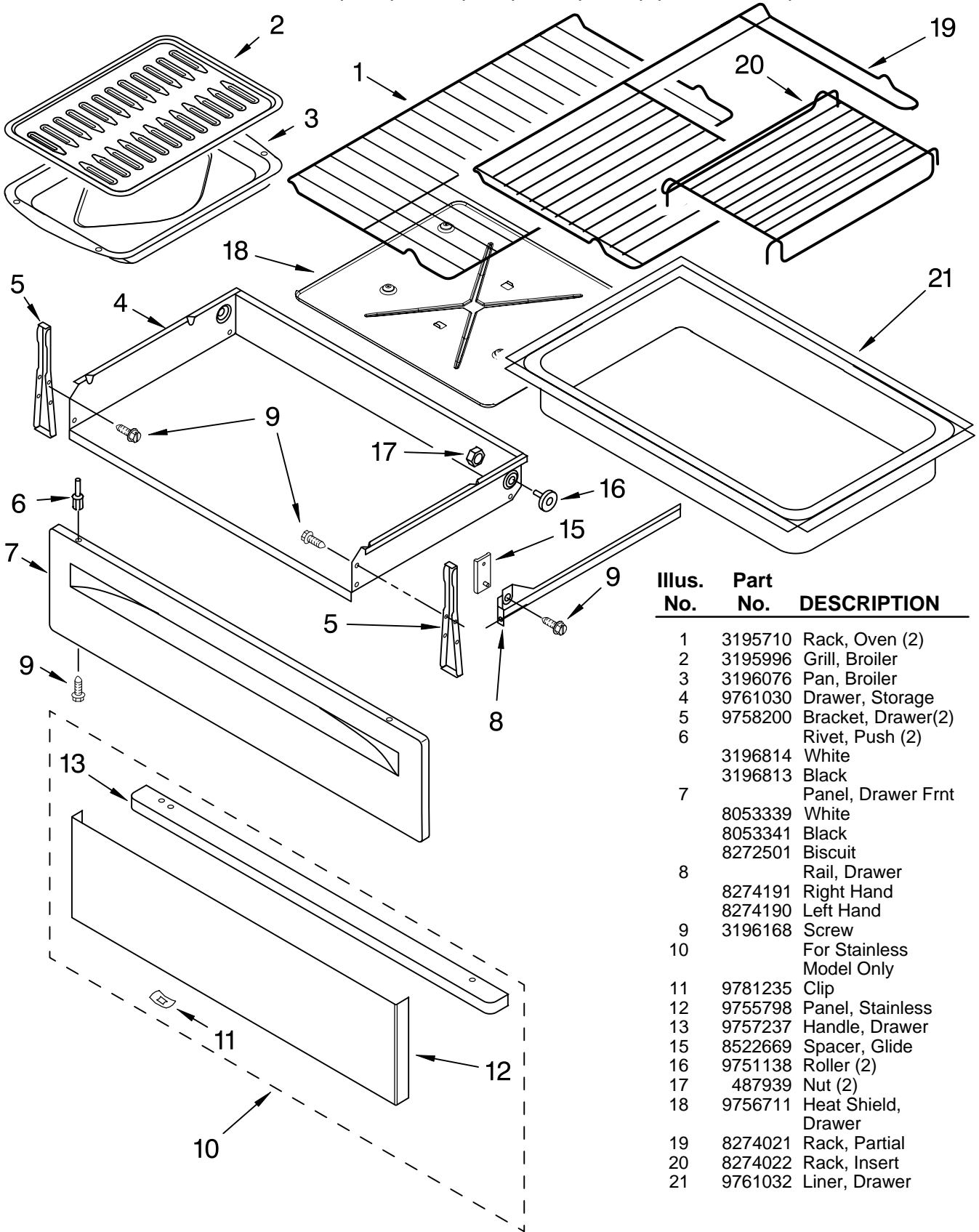
| Illus. No. | Part No. | DESCRIPTION |
|------------|-----------|-----------------|
| 2 | W10035930 | Spring, Locator |
| 3 | 3196170 | Screw |
| 4 | | Cooktop |
| | 9763334 | White |
| | 9763336 | Black |
| | 9763335 | Biscuit |

| Illus. No. | Part No. | DESCRIPTION |
|------------|----------|-------------------|
| 7 | | Element, Surface |
| | 9759351 | 2400/1000 W-LF/RF |
| | 8523698 | 1200 W - LR/RR |
| | 9762851 | 120 W - CR |
| 8 | 8524132 | Shield, Wiring |
| 9 | | Bracket, Element |
| | 8272791 | (2) |
| | 8273720 | (1) |
| 10 | 3196169 | Screw |

FOR ORDERING INFORMATION REFER TO PARTS PRICE LIST

DRAWER & BROILER PARTS

For Models: GR563LXSQ1, GR563LXSB1, GR563LXST1, GR563LXSS1
 (White) (Black) (Biscuit) (Black Stainless)

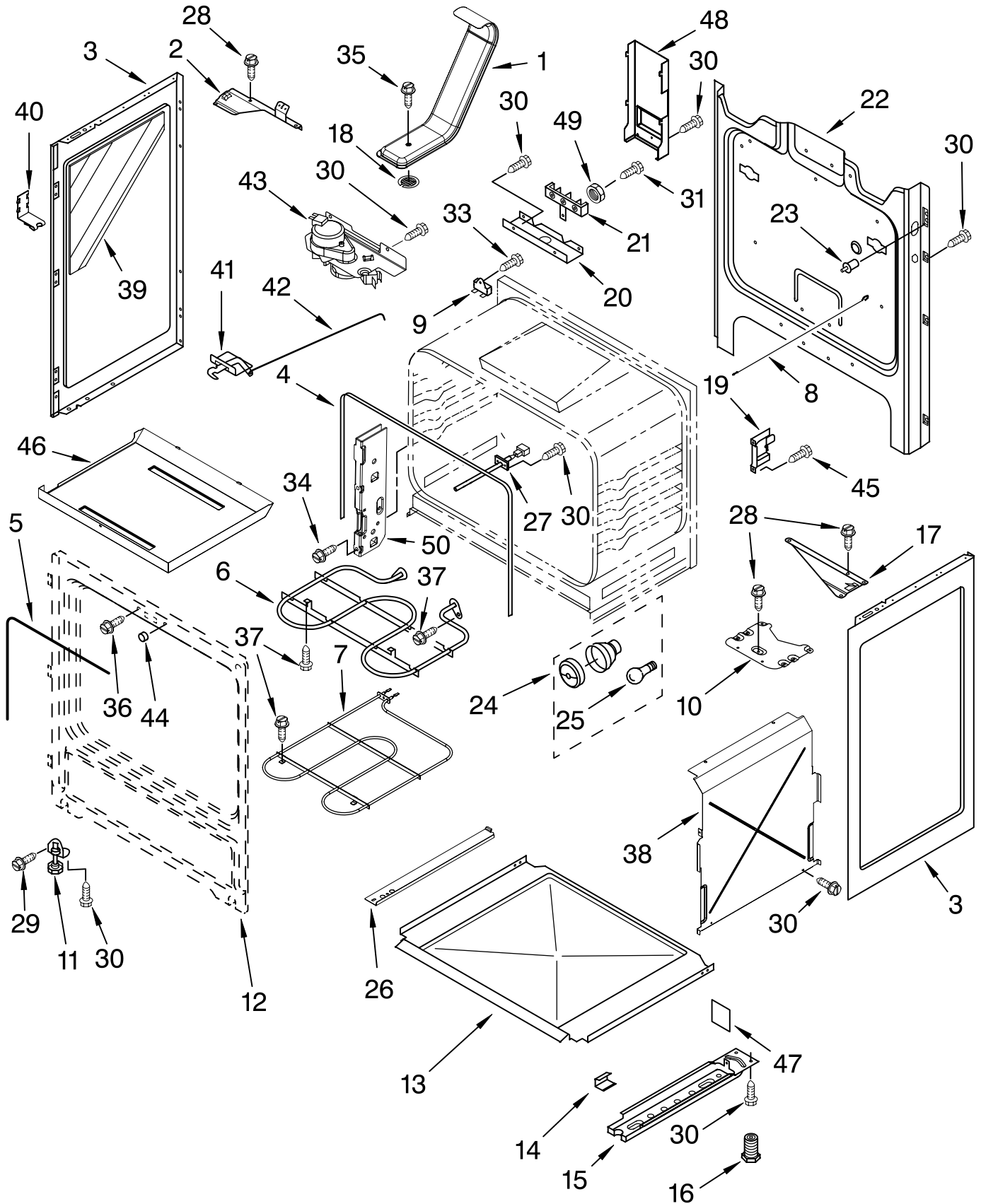


| Illus. No. | Part No. | DESCRIPTION |
|------------|----------|--------------------------|
| 1 | 3195710 | Rack, Oven (2) |
| 2 | 3195996 | Grill, Broiler |
| 3 | 3196076 | Pan, Broiler |
| 4 | 9761030 | Drawer, Storage |
| 5 | 9758200 | Bracket, Drawer(2) |
| 6 | | Rivet, Push (2) |
| | 3196814 | White |
| | 3196813 | Black |
| 7 | | Panel, Drawer Frnt |
| | 8053339 | White |
| | 8053341 | Black |
| | 8272501 | Biscuit |
| 8 | | Rail, Drawer |
| | 8274191 | Right Hand |
| | 8274190 | Left Hand |
| 9 | 3196168 | Screw |
| 10 | | For Stainless Model Only |
| 11 | 9781235 | Clip |
| 12 | 9755798 | Panel, Stainless |
| 13 | 9757237 | Handle, Drawer |
| 15 | 8522669 | Spacer, Glide |
| 16 | 9751138 | Roller (2) |
| 17 | 487939 | Nut (2) |
| 18 | 9756711 | Heat Shield, Drawer |
| 19 | 8274021 | Rack, Partial |
| 20 | 8274022 | Rack, Insert |
| 21 | 9761032 | Liner, Drawer |

FOR ORDERING INFORMATION REFER TO PARTS PRICE LIST

CHASSIS PARTS

For Models: GR563LXSQ1, GR563LXSB1, GR563LXST1, GR563LXSS1
(White) (Black) (Biscuit) (Black Stainless)



FOR ORDERING INFORMATION REFER TO PARTS PRICE LIST

CHASSIS PARTS

For Models: GR563LXSQ1, GR563LXSB1, GR563LXST1, GR563LXSS1
 (White) (Black) (Biscuit) (Black Stainless)

| Illus. No. | Part No. | DESCRIPTION | Illus. No. | Part No. | DESCRIPTION | Illus. No. | Part No. | DESCRIPTION |
|------------|-----------|--------------------------------|------------|-----------|--------------------|------------|----------|--------------------|
| 1 | 9761300 | Vent Tube Assbly | 16 | 9761935 | Foot, Rear (2) | 38 | 9758238 | Retainer, Side (2) |
| 2 | 8273905 | Support, Corner LR | 17 | 3195987 | Support, Corner RR | 39 | 9761490 | Insulation |
| 3 | | Panel, Side (2) | 18 | 9761301 | Screen – Catalyst | 40 | 9761512 | Clip – Mounting |
| | 8053830 | White–Textured | 19 | 3186116 | Support, Oven (2) | 41 | 9761013 | Latch, Door |
| | 8053832 | Black–Textured | 20 | 3186034 | Bracket, Service | 42 | 3196961 | Rod, Latch |
| | 8272519 | Biscuit–Textured | 21 | 9761958 | Block, Terminal | 43 | 9757241 | Latch Asy, Rear |
| 4 | W10010350 | Seal, Oven Flange | 22 | 8274034 | Back, Main | 44 | 9758701 | Spacer, Door |
| 5 | 8522416 | Seal, Oven Door | 23 | 9757262 | Switch, Door | 45 | 3196169 | Screw |
| 6 | 9757341 | Element, Broil | 24 | 3196701 | Light Socket Assy | 46 | 9755769 | Tray, Hidden |
| 7 | 9755770 | Element, Bake (Hidden Bake) | 25 | 311255 | Bulb, Oven Light | | | Bake Element |
| 8 | 9757239 | Rod – Door Switch | 26 | 9755771 | Cover, Tray | 47 | 9759689 | Card, Insulator |
| 9 | 3196548 | Fuse, Thermal | 27 | 8273902 | Sensor, Oven | 48 | 9758283 | Cover, Box |
| 10 | 3195736 | Support, Front (2) | 28 | 3196165 | Screw | 49 | 112432 | Nut (3) |
| 11 | 3196037 | Foot, Front (2) | 29 | 3196179 | Screw | 50 | 9760407 | Bracket–Mounting |
| 12 | | Frame, Front (Not Serviced) | 30 | 3196178 | Screw | | | |
| 13 | 8054068 | Tray, Insulation | 31 | 3400016 | Screw | | | |
| 14 | 3196576 | Clip, Panel (6) | 33 | 3196172 | Screw | | | |
| 15 | 9760314 | Rail, Base (2) | 34 | W10031780 | Screw | | | |
| | | | 35 | 3196566 | Screw | | | |
| | | | 36 | 3196560 | Screw | | | |
| | | | 37 | 3196174 | Screw | | | |

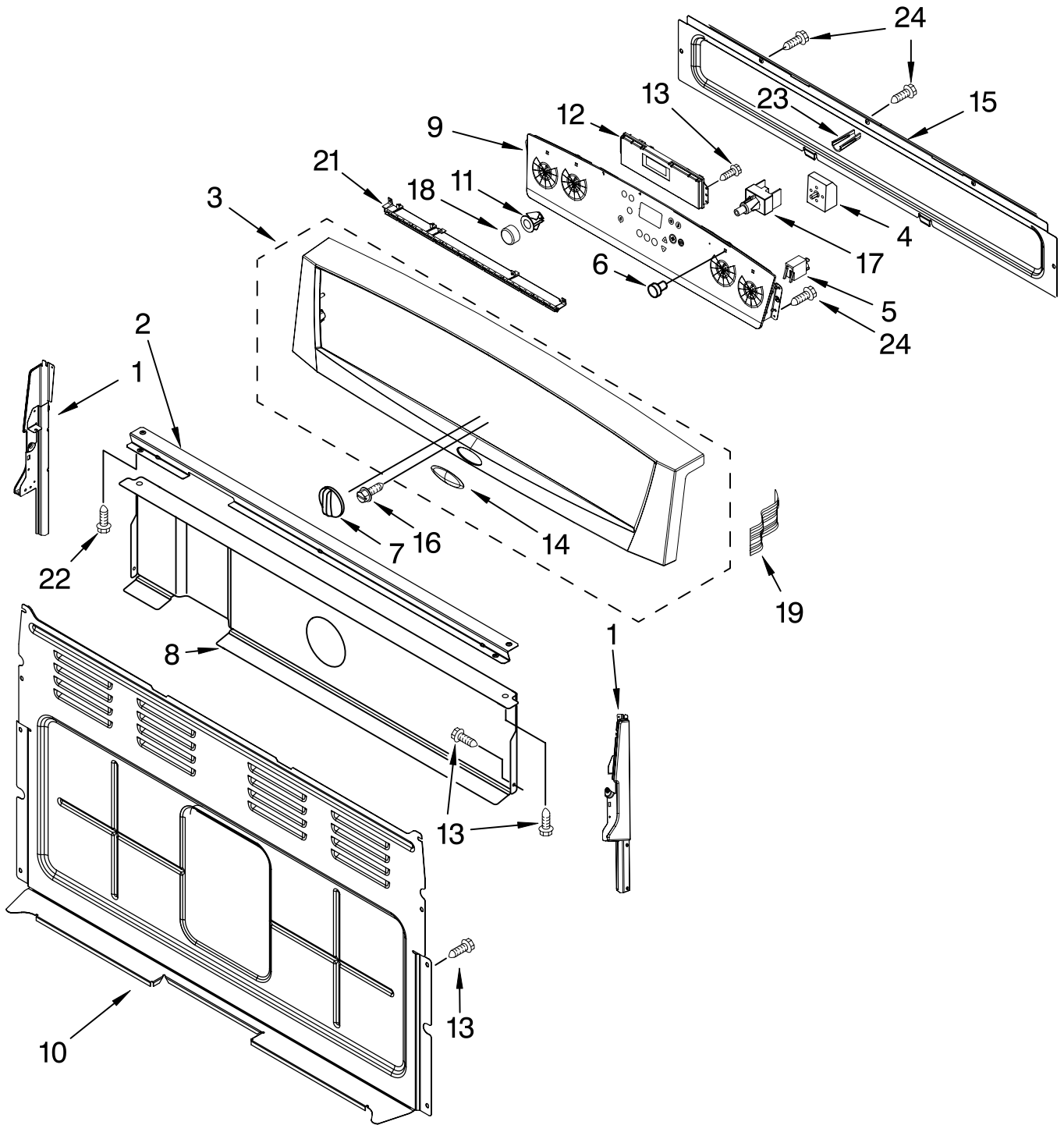
INSULATION

| | |
|---------|------------------|
| 8272616 | Insulation, Wrap |
| 9755772 | Insulation, Back |
| 8272613 | Insulation, Vent |

FOR ORDERING INFORMATION REFER TO PARTS PRICE LIST

CONTROL PANEL PARTS

For Models: GR563LXSQ1, GR563LXSB1, GR563LXST1, GR563LXSS1
(White) (Black) (Biscuit) (Black Stainless)



FOR ORDERING INFORMATION REFER TO PARTS PRICE LIST

CONTROL PANEL PARTS

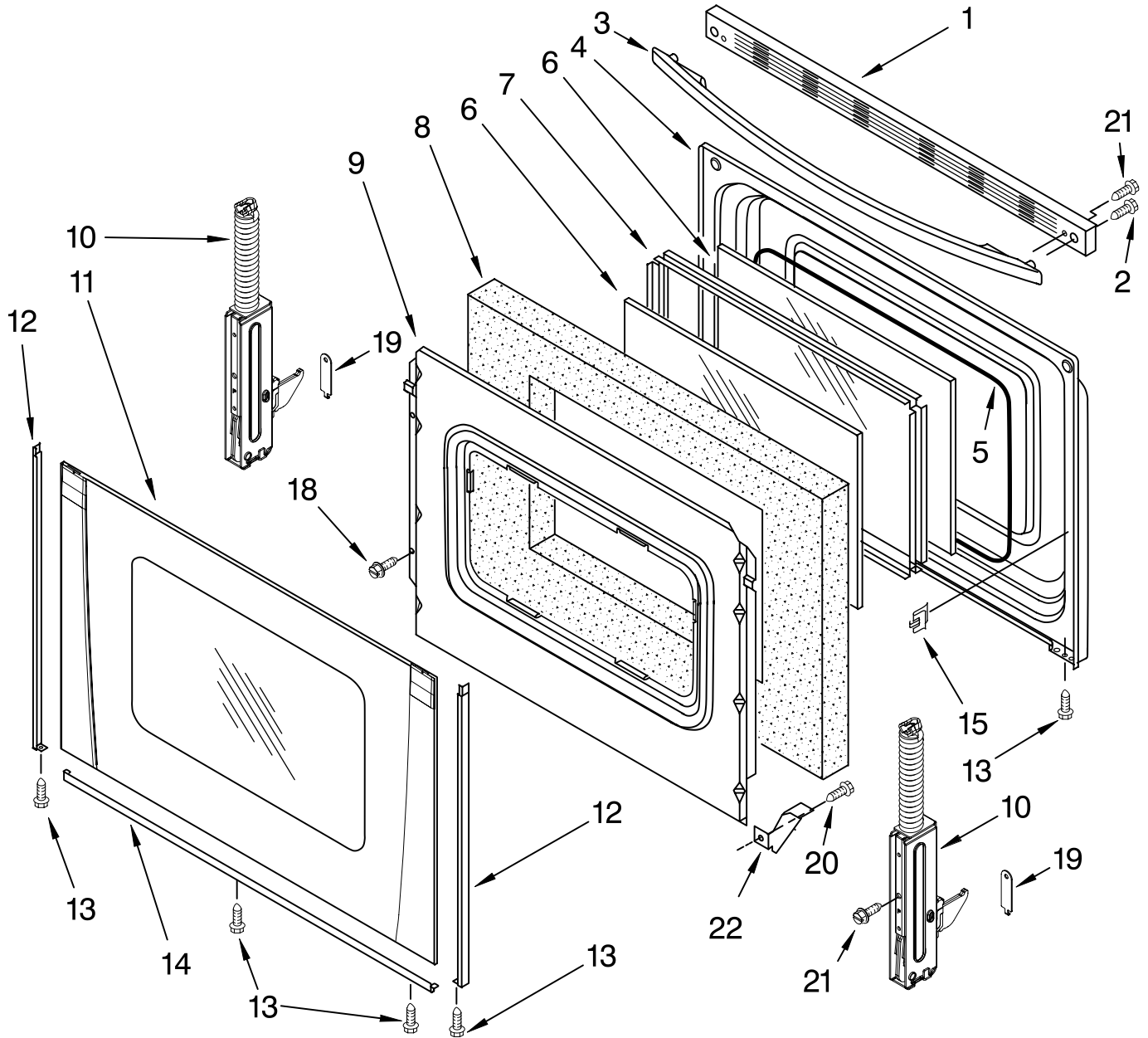
For Models: GR563LXSQ1, GR563LXSB1, GR563LXST1, GR563LXSS1
 (White) (Black) (Biscuit) (Black Stainless)

| Illus. No. | Part No. | DESCRIPTION |
|------------|-----------|--------------------------|
| 1 | | Endcap |
| | W10009040 | White Left Hand |
| | W10009050 | White Right Hand |
| | W10009080 | Black Left Hand |
| | W10009090 | Black Right Hand |
| | W10009060 | Biscuit Left Hand |
| | W10009070 | Biscuit Right Hand |
| 2 | 9762095 | Bracket, Console |
| 3 | | Panel, Backguard |
| | 9762585 | White |
| | 9762586 | Black |
| | 9762587 | Biscuit |
| | 9762588 | Unvl Slvr for SS |
| 4 | | Switch, Infinite |
| | 9758060 | Left Front |
| | 3148951 | Left Rear |
| | 3148951 | Right Rear |
| | 9758060 | Right Front |
| 5 | 8523265 | Light, Indicator |
| 6 | 3196068 | Lens, Light |
| 7 | | Knob, Infinite (4) |
| | 9757132 | White |
| | 9758129 | Black |
| | 9757626 | Biscuit |
| 8 | 8523280 | Shield, Heat |
| 9 | | Gls Swtch Membrn |
| | 9763545 | White |
| | 9763546 | Black |
| | 9763547 | Biscuit |
| 10 | 9756999 | Cover, Rear |
| 11 | | Bezel, Keep Warm |
| | 9757489 | White |
| | 9758489 | Black |
| | 9758488 | Biscuit |
| 12 | 9763681 | Control, Range |
| 13 | 3196178 | Screw |
| 14 | 9757613 | Nameplate |
| 15 | 9756366 | Cover, Rear (Console) |
| 16 | 3400882 | Screw |
| 17 | 8272820 | Switch |
| 18 | | Button |
| | 9757492 | White |
| | 9758491 | Black |
| | 9758490 | Biscuit |
| 19 | 9760080 | Cntr, Cable Flex |
| 21 | 9757358 | Reflector, Light |
| 22 | | Screw |
| | 3196166 | White |
| | 3196168 | Black |
| | 8281194 | Biscuit |
| 23 | 9757490 | Support, Glass |
| 24 | 3196178 | Screw |

FOR ORDERING INFORMATION REFER TO PARTS PRICE LIST

DOOR PARTS

For Models: GR563LXSQ1, GR563LXSB1, GR563LXST1, GR563LXSS1
(White) (Black) (Biscuit) (Black Stainless)



FOR ORDERING INFORMATION REFER TO PARTS PRICE LIST

DOOR PARTS

For Models: GR563LXSQ1, GR563LXSB1, GR563LXST1, GR563LXSS1
 (White) (Black) (Biscuit) (Black Stainless)

| Illus. No. | Part No. | DESCRIPTION |
|---------------|-------------|--------------------|
| 1 | | Trim, Top |
| | 9761975 | White |
| | 9762391 | Black |
| | 9761976 | Biscuit |
| | 9761977 | Stainless Steel |
| 2 | 3196164 | Screw |
| 3 | | Handle, Door |
| | 9761978 | White |
| | 9761979 | Black |
| | 9761980 | Biscuit |
| | 9761981 | Stainless Steel |
| 4 | 9761344 | Liner, Door |
| 5 | 8522414 | Seal, Window |
| 6 | 9758162 | Glass, Inner (2) |
| 7 | 3186289 | Frame, Glass |
| 8 | 8272618 | Insulation, Door |
| 9 | 9761357 | Retainer, Insul. |
| 10 | 9761496 | Hinge, Door (2) |
| 11 | | Glass, Outer |
| | W10010660 | White |
| | W10010680 | Black |
| | W10010670 | Biscuit |
| | W10010690 | Stainless Model |
| 12 | | Trim, Side |
| | 8523166 | White Left Hand |
| | 8523172 | White Right Hand |
| | 8523171 | Black Left Hand |
| | 8523165 | Black Right Hand |
| | 8523167 | Biscuit Left Hand |
| | 8523173 | Biscuit Right Hand |
| | 9762249 | Unv Slvr LH |
| | 9762250 | Unv Slvr RH |
| 13 | 3196160 | Screw |
| 14 | | Trim, Lower |
| | 8523175 | White |
| | 8523177 | Black |
| | 8523178 | Biscuit |
| 15 | 3196025 | Clip, Glass (4) |
| 18 | W10031790 | Screw |
| 19 | 9761517 | Clip, Door Mntg |
| 20 | 3196165 | Screw |
| 21 | W10031780 | Screw |
| 22 | 3196794 | Bracket, Window(2) |

OPTIONAL PARTS

For Models: GR563LXSQ1, GR563LXSB1, GR563LXST1, GR563LXSS1
 (White) (Black) (Biscuit) (Black Stainless)

| Illus. No. | Part No. | DESCRIPTION |
|--|----------|----------------------------------|
| Following Parts Not Illustrated | | |
| <u>SPLICING WIRES--25FT. LENGTH</u> | | |
| | 242828 | Wire, Black 12 Ga. 150° c |
| | 242821 | Wire, Blue 14 Ga. 150°c |
| | 242822 | Wire, Brown 14 Ga. 150°c |
| | 242830 | Wire, Brown 14 Ga. 200°c |
| | 242823 | Wire, Green 14 Ga. 150°c |
| | 242824 | Wire, Orange 14 Ga. 150°c |
| | 242825 | Wire, Red 14 Ga. 150°c |
| | 242831 | Wire, Red 14 Ga. 200°c |
| | 242827 | Wire, Yellow 14 Ga. 150°c |
| <u>REFINISHING MATERIAL</u> | | |
| | 799832 | Kit, Porcelain Repair (White) |
| | 242756 | Touch-Up Self-Clean(1/2 Pt) |
| | 261582 | Grease |

| Illus. No. | Part No. | DESCRIPTION |
|---|----------|--|
| <u>INSULATION</u> | | |
| | 261514 | Insulation, Fiberglass (1-1/2" x 24" x 120") |
| | 240132 | Insulation, Fiberglass (2-1/2" x 22" x 120") |
| <u>PAINT, TOUCH-UP (1/2oz.)</u> | | |
| | 72017 | White |
| | 4392899 | Biscuit |
| | 511873 | White Porcelain (2 Oz.) |
| <u>PAINT, PRESSURIZED SPRAY (12 oz.)</u> | | |
| | 350930 | White |
| | 4392901 | Biscuit |
| | 285006 | Superior Black |
| | 206922 | Primer (White) |
| <u>PAINT, BULK (1 qt.)</u> | | |
| | 799344 | White (Uncut) |
| | 4392900 | Biscuit (Uncut) |

| Illus. No. | Part No. | DESCRIPTION |
|------------------------------------|-----------|------------------------------------|
| <u>ACCESSORY PARTS</u> | | |
| | 241430 | Foil, Aluminum Oven (18" x 25') |
| | 3184478 | Cleaner, Glass |
| <u>ANTI-TIP KIT</u> | | |
| | W10017440 | Anti-Tip Kit |
| <u>WIRING HARNESS PARTS</u> | | |
| | 9762815 | Harness, Wire (Cooktop Left) |
| | W10044070 | Harness, Wire (Cooktop Right) |
| | W10017460 | Harness, Wire (Main) |
| | 9763631 | Harness,Wire (Sensor/Dr Switch) |
| | 9757339 | Harness, Bake Element (Hidden) |
| | 3196520 | Clip, Harness |
| | 8523279 | Wire, Ground |
| | 3196173 | Screw, Ground |
| | 3196154 | Screw |
| | 313660 | Clip - Grnd Wire |

FOR ORDERING INFORMATION REFER TO PARTS PRICE LIST