



ELECTRIC DOWNDRAFT CERAMIC GLASS COOKTOP

Use & Care Guide

For questions about features, operation/performance,
parts, accessories or service, call: **1-800-253-1301**
or visit our website at www.whirlpool.com

In Canada call **1-800-807-6777** or visit our website at
www.whirlpoolappliances.ca

TABLE DE CUISSON ÉLECTRIQUE EN VITROCÉRAMIQUE, AVEC ASPIRATION PAR LE BAS

Guide d'utilisation et d'entretien

Au Canada composez le **1-800-807-6777** ou visitez notre site web à
www.whirlpoolappliances.ca

Table of Contents/Table des matières 2

Model/Modèle GJD3044L

TABLE OF CONTENTS

COOKTOP SAFETY.....	2
PARTS AND FEATURES.....	4
COOKTOP USE.....	5
Cooktop Controls.....	5
Ceramic Glass.....	6
Dual Size Element.....	6
Downdraft Vent System.....	7
Home Canning.....	7
Cookware.....	7
COOKTOP CARE.....	8
General Cleaning.....	8
TROUBLESHOOTING.....	8
ASSISTANCE OR SERVICE.....	9
In the U.S.A.....	9
In Canada.....	9
WARRANTY.....	10

TABLE DES MATIÈRES

SÉCURITÉ DE LA TABLE DE CUISSON.....	11
PIÈCES ET CARACTÉRISTIQUES.....	13
UTILISATION DE LA TABLE DE CUISSON.....	14
Commandes de la table de cuisson.....	14
Vitrocéramique.....	15
Zone de cuisson à double fonction.....	16
Système de ventilation à aspiration par le bas.....	16
Préparation de conserves à la maison.....	16
Ustensiles de cuisson.....	17
ENTRETIEN DE LA TABLE DE CUISSON.....	17
Nettoyage général.....	17
DÉPANNAGE.....	18
ASSISTANCE OU SERVICE.....	19
GARANTIE.....	20



COOKTOP SAFETY

Your safety and the safety of others are very important.

We have provided many important safety messages in this manual and on your appliance. Always read and obey all safety messages.



This is the safety alert symbol.

This symbol alerts you to potential hazards that can kill or hurt you and others.

All safety messages will follow the safety alert symbol and either the word “DANGER” or “WARNING.”

These words mean:

⚠ DANGER

You can be killed or seriously injured if you don't immediately follow instructions.

⚠ WARNING

You can be killed or seriously injured if you don't follow instructions.

All safety messages will tell you what the potential hazard is, tell you how to reduce the chance of injury, and tell you what can happen if the instructions are not followed.

IMPORTANT SAFETY INSTRUCTIONS

WARNING: To reduce the risk of fire, electrical shock, injury to persons, or damage when using the cooktop, follow basic precautions, including the following:

- **CAUTION:** Do not store items of interest to children in cabinets above a cooktop – Children climbing on the cooktop to reach items could be seriously injured.
- Proper Installation – Be sure your cooktop is properly installed and grounded by a qualified technician.
- Never Use Your Cooktop for Warming or Heating the Room.
- Do Not Leave Children Alone – Children should not be left alone or unattended in area where cooktop is in use. They should never be allowed to sit or stand on any part of the cooktop.
- Wear Proper Apparel – Loose-fitting or hanging garments should never be worn while using the cooktop.
- User Servicing – Do not repair or replace any part of the cooktop unless specifically recommended in the manual. All other servicing should be referred to a qualified technician.
- Storage on Cooktop – Flammable materials should not be stored near surface units.
- Do Not Use Water on Grease Fires – Smother fire or flame or use dry chemical or foam-type extinguisher.
- Use Only Dry Potholders – Moist or damp potholders on hot surfaces may result in burns from steam. Do not let potholder touch hot heating elements. Do not use a towel or other bulky cloth.
- DO NOT TOUCH SURFACE UNITS OR AREAS NEAR UNITS – Surface units may be hot even though they are dark in color. Areas near surface units may become hot enough to cause burns. During and after use, do not touch, or let clothing or other flammable materials contact surface units or areas near units until they have had sufficient time to cool. Among those areas are the cooktop and surfaces facing the cooktop.
- Use Proper Pan Size – This cooktop is equipped with one or more surface units of different size. Select utensils having flat bottoms large enough to cover the surface unit heating element. The use of undersized utensils will expose a portion of the heating element to direct contact and may result in ignition of clothing. Proper relationship of utensil to burner will also improve efficiency.

- Never Leave Surface Units Unattended at High Heat Settings – Boilover causes smoking and greasy spillovers that may ignite.
- Glazed Cooking Utensils – Only certain types of glass, glass/ceramic, ceramic, earthenware, or other glazed utensils are suitable for cooktop service without breaking due to the sudden change in temperature.
- Utensil Handles Should Be Turned Inward and Not Extend Over Adjacent Surface Units – To reduce the risk of burns, ignition of flammable materials, and spillage due to unintentional contact with the utensil, the handle of a utensil should be positioned so that it is turned inward, and does not extend over adjacent surface units.
- Do Not Cook on Broken Cooktop – If cooktop should break, cleaning solutions and spillovers may penetrate the broken cooktop and create a risk of electric shock. Contact a qualified technician immediately.
- Clean Cooktop With Caution – If a wet sponge or cloth is used to wipe spills on a hot cooking area, be careful to avoid steam burn. Some cleaners can produce noxious fumes if applied to a hot surface.

For units with ventilating hood –

- Clean Ventilating Hoods Frequently – Grease should not be allowed to accumulate on hood or filter.
- When flaming foods under the hood, turn the fan on.

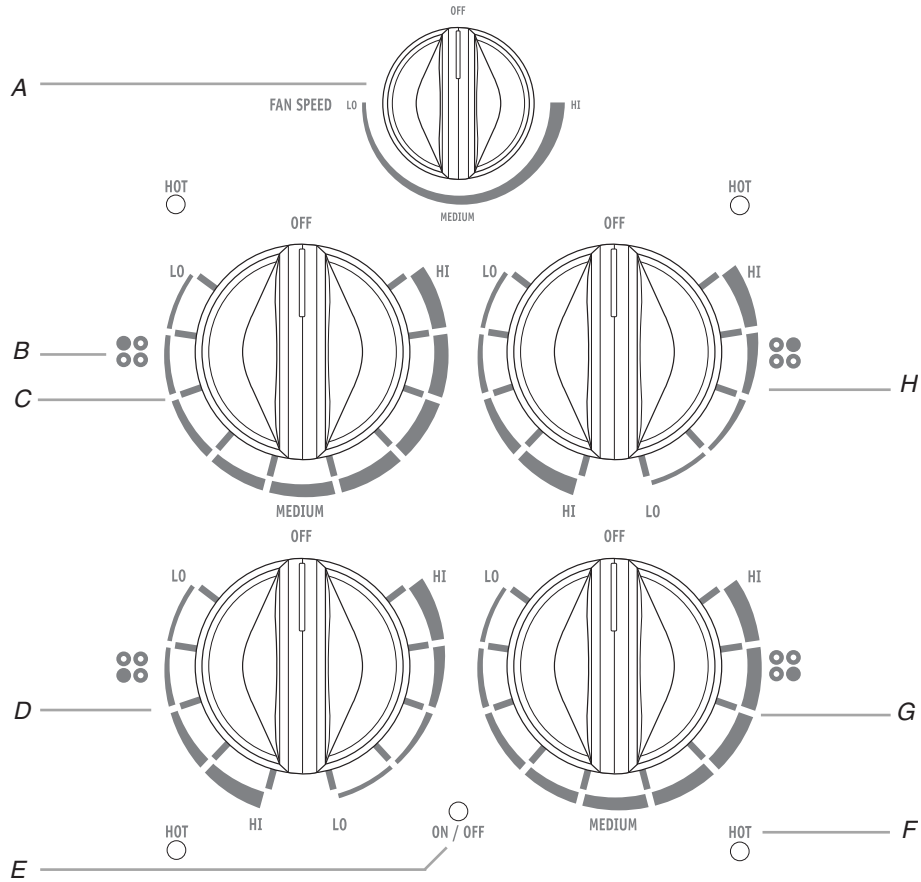
For units with coil elements –

- Make Sure Reflector Pans or Drip Bowls Are in Place – Absence of these pans or bowls during cooking may subject wiring or components underneath to damage.
- Protective Liners – Do not use aluminum foil to line surface unit drip bowls, except as suggested in the manual. Improper installation of these liners may result in a risk of electric shock, or fire.
- Do Not Soak Removable Heating Elements - Heating elements should never be immersed in water.

SAVE THESE INSTRUCTIONS

PARTS AND FEATURES

Control Panel

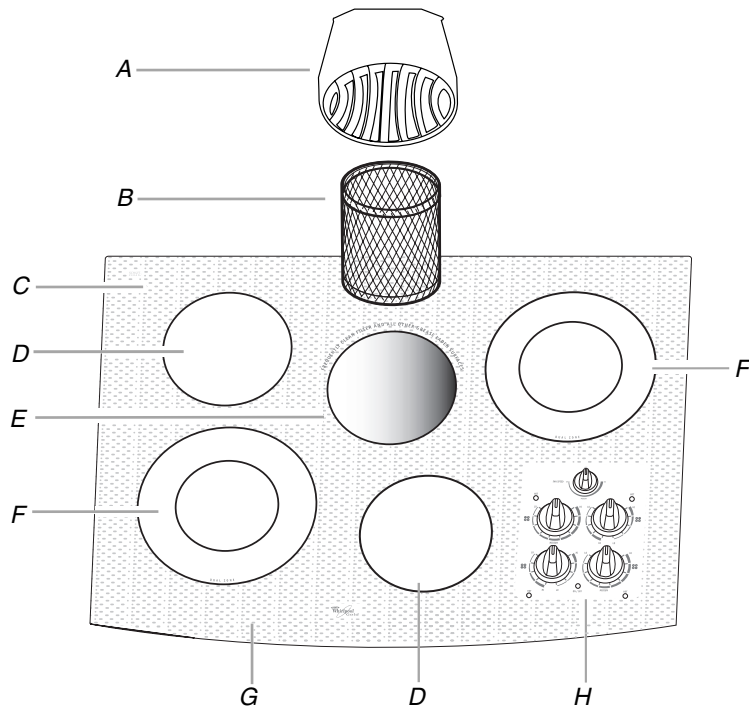


- A. Downdraft fan knob
- B. Surface cooking area locator
- C. Left rear control knob

- D. Left front control knob
- E. Power On indicator light

- F. Hot surface indicator light
(for each surface cooking area element)
- G. Right front control knob
- H. Right rear control knob

Cooktop



A. Downdraft vent cover
B. Filter
C. Ceramic glass cooktop

D. Surface cooking area
E. Downdraft vent location
F. Dual watt element

G. Model and serial number plate
(located on outside bottom of cooktop)
H. Control panel

COOKTOP USE

Cooktop Controls

⚠ WARNING



Fire Hazard

Turn off all controls when done cooking.
Failure to do so can result in death or fire.

The control knobs can be set anywhere between HI and LO. Push in and turn to setting. The surface cooking area locator shows which element is turned on. Use the following chart as a guide when setting heat levels.

SETTING	RECOMMENDED USE
HI	<ul style="list-style-type: none"> ■ Start food cooking. ■ Bring liquid to a boil.
Medium High	<ul style="list-style-type: none"> ■ Hold a rapid boil. ■ Quickly brown or sear food.

SETTING	RECOMMENDED USE
Medium	<ul style="list-style-type: none"> ■ Maintain a slow boil. ■ Fry or sauté foods. ■ Cook soups, sauces and gravies. ■ High simmer or simmer without lids.
Medium Low	<ul style="list-style-type: none"> ■ Stew or steam food. ■ Simmer.
LO	<ul style="list-style-type: none"> ■ Keep food warm. ■ Melt chocolate or butter. ■ Low simmer using lids.
Dual Watt Element	<ul style="list-style-type: none"> ■ Home canning. ■ Large-diameter cookware. ■ Large quantities of food.

REMEMBER: When cooktop is in use, the entire cooktop area may become hot.

POWER ON Light

Each control knob will activate the POWER ON light. The light will glow red when any control knob is on.

Ceramic Glass

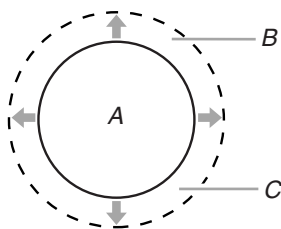
(on some models)

The surface cooking area will glow red when an element is on. It will cycle on and off, at all settings, to maintain the selected heat level.

It is normal for the surface of white ceramic glass to appear to change color when surface cooking areas are hot. As the glass cools, it will return to its original color.

Wiping off the cooktop before and after each use will help keep it free from stains and provide the most even heating. On cooktops with white ceramic glass, soils and stains may be more visible, and may require more cleaning and care. For more information, see "General Cleaning" section.

- Do not store jars or cans above the cooktop. Dropping a heavy or hard object onto the cooktop could crack the cooktop.
- Do not leave a hot lid on the cooktop. As the cooktop cools, air can become trapped between the lid and the cooktop, and the ceramic glass could break when the lid is removed.
- For foods containing sugar in any form, clean up all spills and soils as soon as possible. Allow the cooktop to cool down slightly. Then, while wearing oven mitts, remove the spills while the surface is still warm. If sugary spills are allowed to cool down, they can adhere to the cooktop and can cause pitting and permanent marks.
- Do not slide cookware or bakeware across the cooktop. Aluminum or copper bottoms and rough finishes on cookware or bakeware could leave scratches or marks on the cooktop.
- Do not cook popcorn in prepackaged aluminum containers on the cooktop. They could leave aluminum marks that cannot be removed completely.
- Do not allow objects that could melt, such as plastic or aluminum foil, to touch any part of the entire cooktop.
- Do not use the cooktop as a cutting board.
- Use cookware about the same size as the surface cooking area. Cookware should not extend more than $\frac{1}{2}$ " (1.3 cm) outside the area.



A. Surface cooking area
B. Cookware/canner
C. $\frac{1}{2}$ " (1.3 cm) Maximum overhang

- Use flat-bottomed cookware for best heat conduction and energy efficiency. Cookware with rounded, warped, ribbed or dented bottoms could cause uneven heating and poor cooking results.
- Determine flatness by placing the straight edge of a ruler across the bottom of the cookware. While you rotate the ruler, no space or light should be visible between it and the cookware.

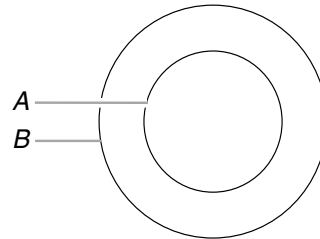
- Cookware designed with slightly indented bottoms or small expansion channels can be used.
- Make sure the bottoms of pots and pans are clean and dry before using them. Residue and water can leave deposits when heated.
- Do not cook foods directly on the cooktop.

Hot Surface Indicator Light (under ceramic glass)

The hot surface indicator light will glow as long as any surface cooking area is too hot to touch, even after the surface cooking area(s) is turned off.

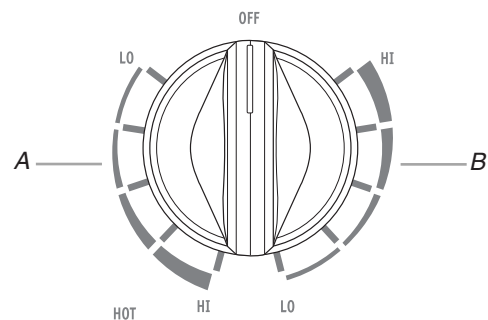
Dual Size Element

(on some models)



A. Single element (6" [15.24 cm])
B. Dual element (10" [25.4 cm])

The dual size elements offer flexibility to cook using different sizes of cookware. The single element can be used in the same way as a regular element. The dual element combines both the inner and outer elements and is recommended for larger cookware.



A. Single
B. Dual

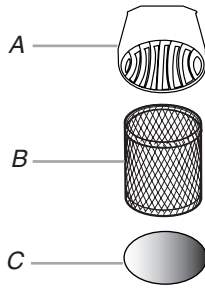
To Use SINGLE:

1. Push in and turn the control knob counterclockwise from the OFF position to anywhere between HI and LO.
2. Push in and turn knob to OFF when finished.

To Use DUAL:

1. Push in and turn the control knob clockwise from the OFF position to anywhere between HI and LO.
2. Push in and turn knob to OFF when finished.

Downdraft Vent System



A. Downdraft vent cover
B. Filter
C. Vent fan location (not visible in graphic)

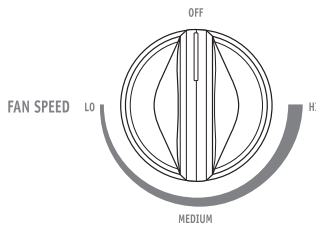
The downdraft vent system consists of a vent cover, filter and a vent fan. The vent system removes cooking vapors, odors and smoke from foods prepared on the cooktop.

Do not run the vent system without the filter.

The downdraft vent cover and filter should be cleaned often to prevent grease buildup. See “General Cleaning” section for more information.

To Use Vent System:

1. Turn vent fan knob to the desired setting. The fan can be set to the HI, MEDIUM, or LO position.



2. Turn vent fan knob to the OFF position when finished cooking, or when the cooktop is not in use.

Home Canning

When canning for long periods, alternate the use of surface cooking areas, elements or surface burners between batches. This allows time for the most recently used areas to cool.

- Center the canner on the grate or largest surface cooking area or element. On electric cooktops, canners should not extend more than ½" (1.3 cm) beyond the surface cooking area or element.
- Do not place canner on 2 surface cooking areas, elements or surface burners at the same time.
- On ceramic glass models, use only flat-bottomed canners.
- On coil element models, the installation of a Canning Unit Kit is recommended. If a kit is not installed, the life of the coil element will be shortened. See “Assistance or Service” for ordering instructions.
- For more information, contact your local agricultural department. Companies that manufacture home canning products can also offer assistance.

Cookware

IMPORTANT: Do not leave empty cookware on a hot surface cooking area, element or surface burner.

Ideal cookware should have a flat bottom, straight sides and a well-fitting lid, and the material should be of medium-to-heavy thickness.

Rough finishes may scratch the cooktop. Aluminum and copper may be used as a core or base in cookware. However, when used as a base they can leave permanent marks on the cooktop or grates.

Cookware material is a factor in how quickly and evenly heat is transferred, which affects cooking results. A nonstick finish has the same characteristics as its base material. For example, aluminum cookware with a nonstick finish will take on the properties of aluminum.

Cookware with nonstick surfaces should not be used under the broiler.

Use the following chart as a guide for cookware material characteristics.

COOKWARE	CHARACTERISTICS
Aluminum	<ul style="list-style-type: none"> ■ Heats quickly and evenly. ■ Suitable for all types of cooking. ■ Medium or heavy thickness is best for most cooking tasks.
Cast iron	<ul style="list-style-type: none"> ■ Heats slowly and evenly. ■ Good for browning and frying. ■ Maintains heat for slow cooking.
Ceramic or Ceramic glass	<ul style="list-style-type: none"> ■ Follow manufacturer’s instructions. ■ Heats slowly, but unevenly. ■ Ideal results on low to medium heat settings.
Copper	<ul style="list-style-type: none"> ■ Heats very quickly and evenly.
Earthenware	<ul style="list-style-type: none"> ■ Follow manufacturer’s instructions. ■ Use on low heat settings.
Porcelain enamel-on-steel or cast iron	<ul style="list-style-type: none"> ■ See stainless steel or cast iron.
Stainless steel	<ul style="list-style-type: none"> ■ Heats quickly, but unevenly. ■ A core or base of aluminum or copper on stainless steel provides even heating.

COOKTOP CARE

General Cleaning

IMPORTANT: Before cleaning, make sure all controls are off and the cooktop is cool. Always follow label instructions on cleaning products.

Soap, water and a soft cloth or sponge are suggested first unless otherwise noted.

CERAMIC GLASS (on some models)

Cleaning Method:

Always wipe with a clean, wet cloth or sponge and dry thoroughly to prevent streaking and staining.

Cooktop Polishing Creme is recommended for regular use to help prevent scratches, pitting and abrasions, and to condition the cooktop. It may be ordered as an accessory. See "Assistance or Service" to order.

A Cooktop Scraper is also recommended for stubborn soils, and can be ordered as an accessory. See "Assistance or Service" to order. The Cooktop Scraper uses razor blades. **Store razor blades out of the reach of children.**

Light to moderate soil

- Paper towels or clean damp sponge:
Clean while the cooktop is still warm. You may want to wear oven mitts while doing so.

Sugary spills (jellies, candy, syrup)

- Cooktop Scraper:
Clean while the cooktop is still warm. You may want to wear oven mitts while cleaning the cooktop.
- Cooktop Polishing Creme and clean damp paper towel:
Clean as soon as cooktop has cooled down. Rub creme into surface with a damp paper towel or soft cloth. Continue rubbing until white film disappears.

Heavy soil, dark streaks, specks and discoloration

- Cooktop Polishing Creme or nonabrasive cleanser:
Rub product into soil with a damp paper towel or soft cloth. Continue rubbing until white film disappears.

Burned-on soil

- Cooktop Polishing Creme and Cooktop Scraper:
Rub creme into soil with damp paper towel. Hold scraper as flat as possible on surface and scrape. Repeat for stubborn spots. Polish entire cooktop with creme and paper towel.

Metal marks from aluminum and copper

- Cooktop Polishing Creme:
Clean as soon as cooktop has cooled down. Rub creme into surface with a damp paper towel or soft cloth. Continue rubbing until white film disappears. The marks will not totally disappear but after many cleanings become less noticeable.

Tiny scratches and abrasions

- Cooktop Polishing Creme:
Rub creme into surface with a damp paper towel or soft cloth. Continue rubbing until white film disappears. Scratches and abrasions do not affect cooking performance and after many cleanings become less noticeable.

Do not use steel wool, abrasive powder cleansers, chlorine bleach, rust remover or ammonia because damage may occur.

COOKTOP CONTROLS

Cleaning Method:

- Soap and water or dishwasher: Pull knobs straight away from control panel to remove.

Do not use steel wool, abrasive cleansers or oven cleaner.

Do not soak knobs.

When replacing knobs, make sure knobs are in the Off position.

On some models, do not remove seals under knobs.

TROUBLESHOOTING

Try the solutions suggested here first in order to avoid the cost of an unnecessary service call.

Nothing will operate

- **Has a household fuse blown, or has a circuit breaker tripped?**
Replace the fuse or reset the circuit breaker. If the problem continues, call an electrician.
- **Is the appliance wired properly?**
See Installation Instructions.

Cooktop will not operate

- **Is the control knob set correctly?**
Push in knob before turning to a setting.
- **On ceramic glass models, is the "Cooktop Lockout" set?**
See "Cooktop Lockout" section.

Excessive heat around cookware on cooktop

- **Is the cookware the proper size?**
Use cookware about the same size as the surface cooking area, element or surface burner. Cookware should not extend more than 1/2" (1.3 cm) outside the cooking area.

Cooktop cooking results not what expected

- **Is the proper cookware being used?**
See "Cookware" section.
- **Is the control knob set to the proper heat level?**
See "Cooktop Controls" section.
- **Is the appliance level?**
Level the appliance. See the Installation Instructions.

ASSISTANCE OR SERVICE

Before calling for assistance or service, please check “Troubleshooting.” It may save you the cost of a service call. If you still need help, follow the instructions below.

When calling, please know the purchase date and the complete model and serial number of your appliance. This information will help us to better respond to your request.

If you need replacement parts

If you need to order replacement parts, we recommend that you use only FSP® replacement parts. FSP® replacement parts will fit right and work right because they are made with the same precision used to build every new WHIRLPOOL® appliance.

To locate FSP® replacement parts in your area, call us or your nearest Whirlpool designated service center.

In the U.S.A.

Call the Whirlpool Customer eXperience Center toll free: **1-800-253-1301**.

Our consultants provide assistance with:

- Features and specifications on our full line of appliances.
- Installation information.
- Use and maintenance procedures.
- Accessory and repair parts sales.
- Specialized customer assistance (Spanish speaking, hearing impaired, limited vision, etc.).
- Referrals to local dealers, repair parts distributors, and service companies. Whirlpool designated service technicians are trained to fulfill the product warranty and provide after-warranty service, anywhere in the United States.

To locate the Whirlpool designated service company in your area, you can also look in your telephone directory Yellow Pages.

For further assistance

If you need further assistance, you can write to Whirlpool Corporation with any questions or concerns at:

Whirlpool Brand Home Appliances
Customer eXperience Center
553 Benson Road
Benton Harbor, MI 49022-2692

Please include a daytime phone number in your correspondence.

Canning Unit Kit

(coil element models)

Order Part Number 242905

Cooktop Cleaner

(ceramic glass models)

Order Part Number 31464

Cooktop Protectant

Order Part Number 31463

Cooktop Care Kit

(includes cleaner, protectant, and applicator pads)

Order Part Number 31605

Cooktop Scraper

(ceramic glass models)

Order Part Number 3183488

All-Purpose Appliance Cleaner

Order Part Number 31662

Stainless Steel Cleaner & Polish

(stainless steel models)

Order Part Number 31462

Gas Grate and Drip Pan Cleaner

Order Part Number 31617

In Canada

Please call the Whirlpool Canada LP Customer Interaction Centre toll free: **1-800-807-6777**.

Our consultants provide assistance with:

- Features and specifications on our full line of appliances.
- Use and maintenance procedures.
- Accessory and repair parts sales.
- Referrals to local dealers, repair parts distributors, and service companies. Whirlpool Canada LP designated service technicians are trained to fulfill the product warranty and provide after-warranty service, anywhere in Canada.

For further assistance

If you need further assistance, you can write to Whirlpool Canada LP with any questions or concerns at:

Customer Interaction Centre
Whirlpool Canada LP
1901 Minnesota Court
Mississauga, Ontario L5N 3A7

Please include a daytime phone number in your correspondence.

WHIRLPOOL CORPORATION MAJOR APPLIANCE WARRANTY

ONE YEAR LIMITED WARRANTY

For one year from the date of purchase, when this major appliance is operated and maintained according to instructions attached to or furnished with the product, Whirlpool Corporation or Whirlpool Canada LP (hereafter "Whirlpool") will pay for FSP® replacement parts and repair labor to correct defects in materials or workmanship. Service must be provided by a Whirlpool designated service company.

ITEMS WHIRLPOOL WILL NOT PAY FOR

1. Service calls to correct the installation of your major appliance, to instruct you how to use your major appliance, to replace or repair house fuses or to correct house wiring or plumbing.
 2. Service calls to repair or replace appliance light bulbs, air filters or water filters. Those consumable parts are excluded from warranty coverage.
 3. Repairs when your major appliance is used for other than normal, single-family household use.
 4. Damage resulting from accident, alteration, misuse, abuse, fire, flood, acts of God, improper installation, installation not in accordance with electrical or plumbing codes, or use of products not approved by Whirlpool.
 5. Any food loss due to refrigerator or freezer product failures.
 6. Replacement parts or repair labor costs for units operated outside the United States or Canada.
 7. Pickup and delivery. This major appliance is designed to be repaired in the home.
 8. Repairs to parts or systems resulting from unauthorized modifications made to the appliance.
 9. Expenses for travel and transportation for product service in remote locations.
 10. The removal and reinstallation of your appliance if it is installed in an inaccessible location or is not installed in accordance with published installation instructions.
-

DISCLAIMER OF IMPLIED WARRANTIES; LIMITATION OF REMEDIES

CUSTOMER'S SOLE AND EXCLUSIVE REMEDY UNDER THIS LIMITED WARRANTY SHALL BE PRODUCT REPAIR AS PROVIDED HEREIN. IMPLIED WARRANTIES, INCLUDING WARRANTIES OF MERCHANTABILITY OR FITNESS FOR A PARTICULAR PURPOSE, ARE LIMITED TO ONE YEAR OR THE SHORTEST PERIOD ALLOWED BY LAW. WHIRLPOOL SHALL NOT BE LIABLE FOR INCIDENTAL OR CONSEQUENTIAL DAMAGES. SOME STATES AND PROVINCES DO NOT ALLOW THE EXCLUSION OR LIMITATION OF INCIDENTAL OR CONSEQUENTIAL DAMAGES, OR LIMITATIONS ON THE DURATION OF IMPLIED WARRANTIES OF MERCHANTABILITY OR FITNESS, SO THESE EXCLUSIONS OR LIMITATIONS MAY NOT APPLY TO YOU. THIS WARRANTY GIVES YOU SPECIFIC LEGAL RIGHTS AND YOU MAY ALSO HAVE OTHER RIGHTS, WHICH VARY FROM STATE TO STATE OR PROVINCE TO PROVINCE.

Outside the 50 United States and Canada, this warranty does not apply. Contact your authorized Whirlpool dealer to determine if another warranty applies.

If you need service, first see the "Troubleshooting" section of the Use & Care Guide. After checking "Troubleshooting," additional help can be found by checking the "Assistance or Service" section or by calling Whirlpool. In the U.S.A., call **1-800-253-1301**. In Canada, call **1-800-807-6777**. 8/05

Keep this book and your sales slip together for future reference. You must provide proof of purchase or installation date for in-warranty service.

Write down the following information about your major appliance to better help you obtain assistance or service if you ever need it. You will need to know your complete model number and serial number. You can find this information on the model and serial number label located on the product.

Dealer name _____
Address _____
Phone number _____
Model number _____
Serial number _____
Purchase date _____

SÉCURITÉ DE LA TABLE DE CUISSON

Votre sécurité et celle des autres est très importante.

Nous donnons de nombreux messages de sécurité importants dans ce manuel et sur votre appareil ménager. Assurez-vous de toujours lire tous les messages de sécurité et de vous y conformer.



Voici le symbole d'alerte de sécurité.

Ce symbole d'alerte de sécurité vous signale les dangers potentiels de décès et de blessures graves à vous et à d'autres.

Tous les messages de sécurité suivront le symbole d'alerte de sécurité et le mot "DANGER" ou "AVERTISSEMENT". Ces mots signifient :

⚠ DANGER

Risque possible de décès ou de blessure grave si vous ne suivez pas immédiatement les instructions.

⚠ AVERTISSEMENT

Risque possible de décès ou de blessure grave si vous ne suivez pas les instructions.

Tous les messages de sécurité vous diront quel est le danger potentiel et vous disent comment réduire le risque de blessure et ce qui peut se produire en cas de non-respect des instructions.

IMPORTANTES INSTRUCTIONS DE SÉCURITÉ

AVERTISSEMENT : Pour réduire le risque d'incendie, de choc électrique, de blessures ou de dommages lors de l'utilisation de la table de cuisson, observer les précautions élémentaires suivantes, y compris ce qui suit :

- **MISE EN GARDE :** Ne pas remiser dans les armoires au-dessus d'une table de cuisson, des articles que des enfants pourraient vouloir atteindre. Les enfants pourraient se brûler ou se blesser en grim pant sur la table de cuisson.
- Installation appropriée – S'assurer que la table de cuisson est correctement installée et reliée à la terre par un technicien qualifié.
- Ne jamais utiliser la table de cuisson pour réchauffer ou chauffer la pièce.
- Ne pas laisser les enfants seuls – Les enfants ne doivent pas être laissés seuls ou sans surveillance dans la pièce où la table de cuisson est en service. Ne jamais laisser les enfants s'asseoir ou se tenir sur une partie quelconque de la table de cuisson.
- Porter des vêtements appropriés – Des vêtements amples ou détachés ne doivent jamais être portés pendant l'utilisation de la table de cuisson.
- Entretien par l'utilisateur – Ne pas réparer ou remplacer toute pièce de la table de cuisson si ce n'est pas spécifiquement recommandé dans le manuel. Toute autre opération d'entretien ou de réparation doit être confiée à un technicien qualifié.
- Remisage sur la table de cuisson – Des matériaux inflammables ne doivent pas être remisés près des éléments à la surface.
- Ne pas utiliser d'eau sur un feu de graisse – Éteindre le feu ou la flamme ou utiliser un extincteur à produits chimiques secs ou à mousse.
- N'utiliser que des mitaines de four sèches – Des mitaines de four mouillées ou humides sur des surfaces chaudes peuvent provoquer des brûlures provenant de la vapeur. Ne pas laisser les mitaines de four toucher les éléments chauffants. Ne pas utiliser une serviette ou autre tissu épais.
- **NE PAS TOUCHER LES ÉLÉMENTS À LA SURFACE OU L'ESPACE PRÈS DES ÉLÉMENTS** – Les éléments de surface peuvent être chauds même lorsqu'ils ont une teinte foncée. Les endroits près des éléments à la surface peuvent devenir assez chauds pour provoquer des brûlures. Pendant et après l'utilisation, ne pas toucher les éléments chauffants et ne pas laisser les vêtements ou autres matériaux inflammables entrer en contact avec ces éléments de surface ou les endroits près des éléments, avant qu'ils soient suffisamment refroidis. Ces endroits comprennent la table de cuisson et les surfaces près de la table de la cuisson.

- Utiliser des ustensiles de format approprié – La table de cuisson est munie d'un ou de plusieurs éléments chauffants de différentes grandeurs. Choisir les ustensiles qui ont un fond plat assez grand pour couvrir l'élément chauffant de la surface de cuisson. L'utilisation d'ustensiles trop petits exposera une partie de l'élément chauffant, ce qui peut provoquer l'inflammation des vêtements. L'utilisation d'un récipient de format correct améliore l'efficacité de la cuisson.
- Ne jamais laisser les éléments de la table de cuisson sans surveillance alors qu'ils chauffent à la puissance maximale – Il pourrait en résulter une ébullition qui cause de la fumée et des renversements de corps gras qui peuvent s'enflammer.
- Ustensiles de cuisson vitrifiés – Seulement certains types d'ustensiles de verre, vitrocéramique, céramique, faïence ou autres surfaces vitrifiées conviennent pour le service sur une table de cuisson, sans bris attribuables aux changements soudains de température.
- Les poignées des ustensiles doivent être tournées vers l'intérieur et non vers le dessus des éléments adjacents – Pour réduire les risques de brûlures, d'inflammation de produits combustibles et de renversements dus à l'entrechoquement non intentionnel des ustensiles, la poignée d'un ustensile doit être positionnée de sorte qu'elle est tournée vers l'intérieur et non au-dessus des éléments de surface adjacents.
- Ne pas faire cuire sur une table de cuisson endommagée – Si la table de cuisson est brisée, les solutions de nettoyage et les renversements peuvent pénétrer dans la table brisée et créer le risque d'un choc électrique. Contacter immédiatement un technicien qualifié.
- Nettoyer la table de cuisson avec prudence – Si une éponge ou un chiffon mouillé est utilisé pour essuyer les renversements sur une surface de cuisson chaude, éviter les brûlures causées par la vapeur chaude. Certains nettoyants peuvent produire des émanations désagréables lorsqu'ils sont utilisés sur une surface chaude.

Pour les appareils avec hotte de ventilation –

- Nettoyer les hottes de ventilation fréquemment – La graisse ne doit pas s'accumuler sur la hotte ou le filtre.
- Lorsque vous flambez des aliments sous la hotte, mettre le ventilateur en marche.

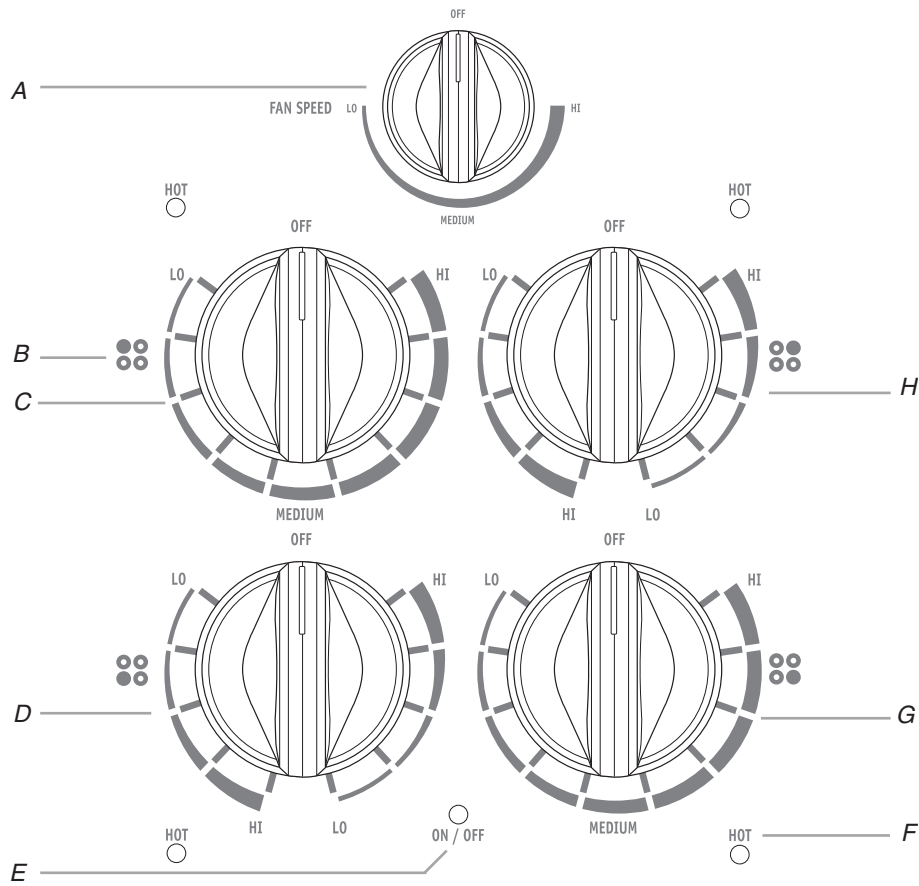
Pour les appareils à éléments en spirale –

- S'assurer que les cuvettes de propreté sont en place – L'absence de ces cuvettes au cours de la cuisson peut causer des dommages aux fils ou aux composants en dessous des éléments.
- Garnissages protecteurs – Ne pas recouvrir les cuvettes de papier d'aluminium sauf tel que suggéré dans le manuel. L'installation incorrecte de papier d'aluminium ou autre matériau peut causer un risque de choc électrique ou d'incendie.
- Ne pas tremper les éléments de chauffage amovibles – Les éléments de chauffage ne doivent jamais être immergés dans l'eau.

CONSERVEZ CES INSTRUCTIONS

PIÈCES ET CARACTÉRISTIQUES

Tableau de commande

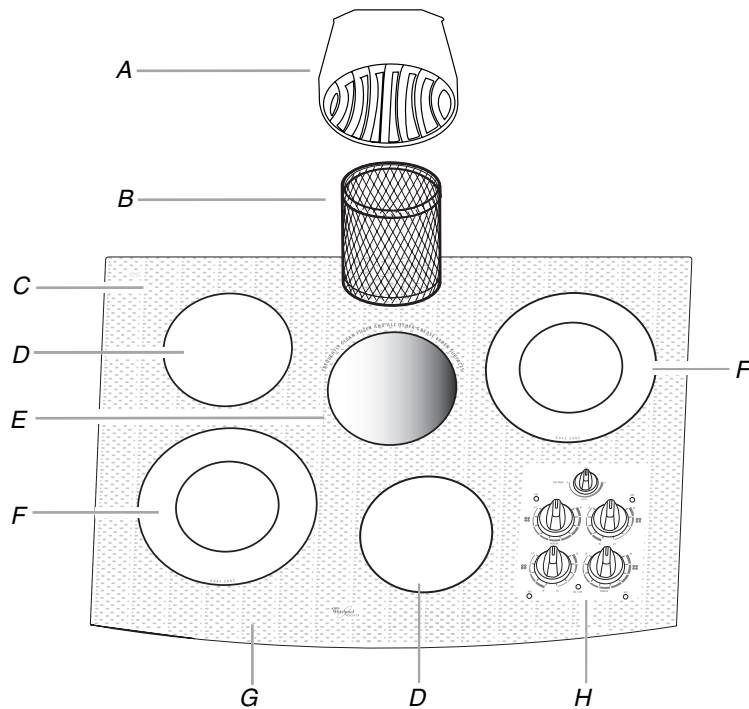


A. Bouton de ventilateur d'aspiration par le bas
 B. Repère de zone de cuisson à la surface
 C. Bouton de commande arrière gauche

D. Bouton de commande avant gauche
 E. Témoin d'alimentation (POWER ON)

F. Témoin lumineux de surface chaude (pour chaque élément de zone de cuisson à la surface)
 G. Bouton de commande avant droit
 H. Bouton de commande arrière droit

Table de cuisson



A. Couverture de l'évent d'aspiration par le bas
 B. Filtre
 C. Table de cuisson en vitrocéramique

D. Zone de cuisson à la surface
 E. Emplacement de l'évent du ventilateur à aspiration par le bas
 F. Élément double watt

G. Plaque signalétique de numéros de modèle et de série (située sur le bas externe de la table de cuisson)
 H. Tableau de commande

UTILISATION DE LA TABLE DE CUISSON

Commandes de la table de cuisson

⚠ AVERTISSEMENT



Risque d'incendie

Fermer tous les réglages lorsque la cuisson est terminée.

Le non-respect de cette instruction peut causer un décès ou un incendie.

Les boutons de commande peuvent être réglés à n'importe quelle position entre HI et LO. Enfoncer le bouton et le tourner sur le réglage. L'indicateur de zone de cuisson à la surface indique quel élément est allumé. Utiliser le tableau suivant comme guide lors du réglage des niveaux de chaleur.

RÉGLAGE	UTILISATION RECOMMANDÉE
HI	<ul style="list-style-type: none"> ■ Pour commencer la cuisson des aliments. ■ Pour porter un liquide à ébullition.
Medium High	<ul style="list-style-type: none"> ■ Pour maintenir une ébullition rapide. ■ Pour brunir ou saisir rapidement les aliments.
Medium	<ul style="list-style-type: none"> ■ Pour maintenir une ébullition lente. ■ Pour faire frire ou sauter les aliments. ■ Pour cuire les soupes et les sauces. ■ Mijotage vif ou mijotage sans couvercle.
Medium Low	<ul style="list-style-type: none"> ■ Pour faire mijoter ou étuver les aliments. ■ Pour faire mijoter lentement.

RÉGLAGE	UTILISATION RECOMMANDÉE
LO	<ul style="list-style-type: none"> ■ Pour garder les aliments au chaud. ■ Pour faire fondre le chocolat ou le beurre. ■ Mijotage faible avec couvercle.
Élément double watt	<ul style="list-style-type: none"> ■ Préparation de conserves à la maison. ■ Ustensile de cuisson à grand diamètre. ■ Grandes quantités de nourriture.

N'OUBLIEZ PAS : Quand l'appareil est utilisé, toute la surface de la table de cuisson peut devenir chaude.

Témoin d'alimentation

Chaque bouton de commande activera le témoin POWER ON (sous tension). Le témoin devient rouge lorsque l'un des boutons de commande est en position on (marche).

Vitrocéramique (sur certains modèles)

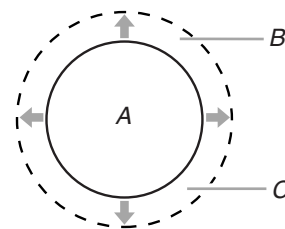
La zone de cuisson à la surface devient rouge lorsqu'un élément est allumé. L'élément s'allumera et s'éteindra, à tous les réglages, pour maintenir le niveau de température choisi.

Il est normal pour la surface de la vitrocéramique blanche de donner l'impression de changer de couleur lorsque les zones de cuisson à la surface sont chaudes. Elle reprendra sa couleur initiale au fur et à mesure que le verre refroidira.

L'essuyage de la table de cuisson avant et après chaque utilisation évitera les taches et donnera une chaleur plus uniforme. Sur les tables de cuisson avec vitrocéramique blanche, les souillures et taches peuvent être plus visibles et nécessiter davantage de nettoyage et de soin. Pour plus de renseignements, voir la section "Nettoyage général".

- Ne pas remiser des bocaux ou des canettes au-dessus de la table de cuisson. La chute d'un objet lourd ou dur sur la table de cuisson pourrait la fissurer.
- Ne pas laisser de couvercle chaud sur la table de cuisson. Lors du refroidissement de la surface de cuisson, de l'air peut être emprisonné entre le couvercle et la table de cuisson, et la vitrocéramique peut se casser lorsque le couvercle est retiré.
- Nettoyer tous les renversements et toutes les saletés des aliments contenant du sucre sous n'importe quelle forme dès que possible. Laisser la table de cuisson refroidir légèrement; puis, en portant des mitaines de four, essuyer les renversements tandis que la surface est encore tiède. Si on laisse le sucre refroidir sur la table de cuisson, il se peut que celui-ci adhère à la surface et entraîne de la corrosion et des marques permanentes.

- Ne pas faire glisser sur la table de cuisson les ustensiles de cuisson ou de pâtisserie qui ont des bases en aluminium ou en cuivre et des finitions rugueuses. Ils pourraient laisser des égratignures ou des marques sur la table de cuisson.
- Ne pas préparer du maïs éclaté préemballé dans des contenants en aluminium sur la table de cuisson. Le contenant pourrait laisser des marques d'aluminium qui ne peuvent pas être enlevées complètement.
- Veiller à ce que les matières qui pourraient fondre, telles que le plastique ou le papier d'aluminium, ne touchent pas la table de cuisson lorsqu'elle est chaude.
- Ne pas utiliser la table de cuisson comme planche à découper.
- Utiliser des ustensiles de cuisson à peu près de la même dimension que la zone de cuisson à la surface. Les ustensiles ne doivent pas dépasser de plus de 1/2" (1,3 cm) hors de la zone de cuisson.



A. Zone de cuisson à la surface
B. Ustensile de cuisson/autoclave
C. Dépassement maximal de 1/2" (1,3 cm)

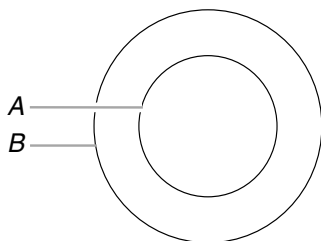
- Utiliser des ustensiles de cuisson à fond plat pour une meilleure transmission de la chaleur et efficacité de l'énergie. Les ustensiles de cuisson dont le fond est arrondi, gauchi, nervuré ou entaillé pourraient causer un chauffage inégal et des résultats de cuisson médiocres.
- Déterminer si le fond d'un ustensile de cuisson est plat en plaçant le bord d'une règle contre la base de l'ustensile. Lorsque la règle est tournée dans tous les sens, aucun espace ou lumière ne devrait être visible entre la règle et l'ustensile.
- Les ustensiles de cuisson dont le fond comporte de légères bosselures ou de petites rainures de dilatation peuvent être utilisés.
- S'assurer que le dessous des casseroles est propre et sec avant de les utiliser. Les résidus et l'eau peuvent laisser des dépôts lors de la cuisson.
- Ne pas faire cuire d'aliments directement sur la table de cuisson.

Témoin lumineux de surface chaude (sous la vitrocéramique)

Le témoin de surface chaude reste allumé tant qu'une surface de cuisson est trop chaude pour être touchée, même après que la ou les surface(s) de cuisson sont éteintes.

Zone de cuisson à double fonction

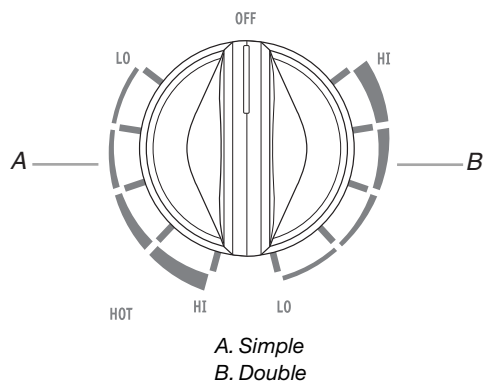
(sur certains modèles)



A. Dimension simple (6" [15,24 cm])

B. Dimension double (10" [25,4 cm])

La zone de cuisson à double fonction offre une souplesse d'utilisation en fonction de la taille de l'ustensile de cuisson. La dimension simple peut être utilisée de la même manière qu'un élément ordinaire. La dimension double combine l'élément simple et l'élément externe; elle est recommandée pour les ustensiles de cuisson de plus grande dimension.



A. Simple

B. Double

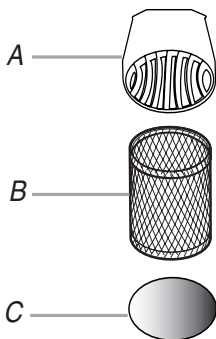
Utilisation de l'élément SIMPLE :

1. Appuyer sur le bouton de commande avant gauche et le tourner dans le sens antihoraire de la position OFF à la zone SINGLE (simple) n'importe où entre HI et LO.
2. Pousser et tourner le bouton à OFF après avoir terminé.

Utilisation de l'élément DOUBLE :

1. Appuyer sur le bouton de commande avant gauche et le tourner dans le sens horaire de la position OFF à la zone DUAL (double) n'importe où entre HI et LO.
2. Pousser et tourner le bouton à OFF après avoir terminé.

Système de ventilation à aspiration par le bas



A. Couvercle de l'évent à aspiration par le bas

B. Filtre

C. Emplacement de l'évent du ventilateur d'évacuation (non visible sur l'illustration)

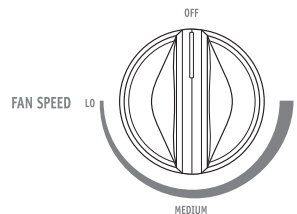
Le système de ventilation à aspiration par le bas se compose d'un couvercle de l'évent, d'un filtre et d'un évent de ventilateur. Le système de ventilation enlève les vapeurs de cuisson, les odeurs et la fumée des aliments préparés sur la table de cuisson.

Ne pas faire fonctionner le système de ventilation sans le filtre.

Le couvercle de l'évent à aspiration par le bas et le filtre doivent être nettoyés souvent pour empêcher les résidus de graisse de s'accumuler. Voir la section "Nettoyage général" pour plus de renseignements.

Utilisation du système de ventilation :

1. Tourner le bouton du ventilateur d'évacuation au réglage désiré. On peut régler le ventilateur à la position HI, MED, ou LO.



2. Tourner le bouton du ventilateur d'évacuation à la position OFF (arrêt) une fois la cuisson terminée, ou lorsqu'on n'utilise pas la table de cuisson.

Préparation de conserves à la maison

Lors de la préparation de conserves pendant de longues périodes, alterner l'utilisation des surfaces de cuisson, des éléments ou des brûleurs de surface entre les quantités préparées. Cette alternance permettra aux surfaces les plus récemment utilisées de refroidir.

- Centrer l'autoclave sur la grille ou la plus grande surface de cuisson ou sur le plus grand élément. Sur les surfaces de cuisson électriques, les autoclaves ne devraient pas dépasser de plus de 1/2" (1,3 cm) hors de la surface de cuisson.
- Ne pas placer l'autoclave sur deux surfaces de cuisson, deux éléments ou deux brûleurs de surface à la fois.
- Sur les modèles avec vitrocéramique, utiliser seulement des autoclaves à fond plat.
- Sur les modèles avec éléments en spirale, l'installation d'un nécessaire de préparation de conserves est recommandée. Si ce nécessaire n'est pas installé, la vie utile de l'élément en spirale sera raccourcie. Voir "Assistance ou service" pour les instructions de commande.
- Pour plus de renseignements, contacter Agriculture Canada. Les compagnies qui fabriquent des produits pour la préparation de conserves à la maison peuvent aussi offrir de l'aide.

Ustensiles de cuisson

IMPORTANT : Ne pas laisser un ustensile de cuisson vide sur la surface d'une table de cuisson, d'un élément ou d'un brûleur de surface chauds.

Les ustensiles de cuisson idéals doivent avoir un fond plat, des parois droites, un couvercle qui ferme bien et le matériau doit être d'épaisseur moyenne à forte.

Les surfaces rudes peuvent égratigner la table de cuisson. L'aluminium et le cuivre peuvent être employés comme fond ou base dans un ustensile de cuisson. Cependant, utilisés comme base, ils peuvent laisser des marques permanentes sur la table de cuisson ou les grilles.

Le matériau d'un ustensile de cuisson affecte la rapidité et l'uniformité de la transmission de la chaleur, et contribue aux résultats de cuisson. Un fini antiadhésif a les mêmes caractéristiques que son matériau de base. Par exemple, un ustensile de cuisson en aluminium avec un fini antiadhésif aura les propriétés de l'aluminium.

Les ustensiles de cuisson avec surface antiadhésive ne doivent pas être utilisés dans le gril.

Utiliser le tableau suivant comme guide pour les caractéristiques du matériau d'ustensile de cuisson.

USTENSILE	CARACTÉRISTIQUES
Aluminium	<ul style="list-style-type: none">■ Chauffe rapidement et uniformément.■ Convient à tous les genres de cuisson.■ L'épaisseur moyenne ou forte convient le mieux pour la plupart des tâches de cuisson.
Fonte	<ul style="list-style-type: none">■ Chauffe lentement et uniformément.■ Convient pour le brunissage et la friture.■ Maintient la chaleur pour une cuisson lente.
Céramique ou vitrocéramique	<ul style="list-style-type: none">■ Suivre les instructions du fabricant.■ Chauffe lentement mais inégalement.■ Les meilleurs résultats sont obtenus sur les réglages de chaleur basse à moyenne.
Cuivre	<ul style="list-style-type: none">■ Chauffe très rapidement et également.
Terre cuite	<ul style="list-style-type: none">■ Suivre les instructions du fabricant.■ Utiliser des réglages de température basse.
Acier émaillé en porcelaine ou fonte émaillée	<ul style="list-style-type: none">■ Voir acier inoxydable ou fonte.
Acier inoxydable	<ul style="list-style-type: none">■ Chauffe rapidement, mais inégalement.■ Un fond ou une base d'aluminium ou de cuivre sur l'acier inoxydable procure un chauffage uniforme.

ENTRETIEN DE LA TABLE DE CUISSON

Nettoyage général

IMPORTANT : Avant le nettoyage, s'assurer que toutes les commandes sont réglées à Off (arrêt) et que la table de cuisson et le four sont refroidis. Toujours suivre les instructions sur l'étiquette des produits de nettoyage.

Du savon, de l'eau et un linge doux ou une éponge sont suggérés en premier à moins d'avis contraire.

VITROCÉRAMIQUE (sur certains modèles)

Méthode de nettoyage :

Toujours essuyer avec un linge ou une éponge propre et mouillé(e) et sécher à fond pour prévenir les rayures et les taches. Utiliser régulièrement la crème à polir pour table de cuisson pour aider à prévenir les égratignures, les piqûres et les abrasions et pour conditionner la table de cuisson. On peut la commander comme accessoire. Voir "Assistance ou service" pour soumettre une commande.

Un grattoir pour table de cuisson est aussi recommandé pour les souillures tenaces et peut être commandé comme accessoire. Voir "Assistance ou service" pour soumettre une commande. Le grattoir pour table de cuisson utilise des lames de rasoir. **Ranger les lames de rasoir hors d'atteinte des enfants.**

Souillure légère à modérée

- Essuie-tout ou éponge propre humide :

Nettoyer pendant que la table de cuisson est encore tiède. Vous pouvez porter des mitaines de four pour ce nettoyage.

Renversements de matières sucrées (gelées, confiseries, sirop)

- Grattoir pour table de cuisson :

Nettoyer pendant que la table de cuisson est encore tiède. Vous pouvez porter des mitaines de four pour ce nettoyage.

- Crème à polir pour table de cuisson et essuie-tout propre humide :

Nettoyer dès que la table de cuisson est refroidie. Frotter la crème sur la surface avec un essuie-tout ou un linge doux humide. Continuer de frotter jusqu'à ce que la pellicule blanche disparaisse.

Souillure épaisse, rayures foncées, piqûres et décoloration

- Crème à polir pour table de cuisson ou un produit de nettoyage non abrasif :

Frotter le produit sur la surface souillée avec un essuie-tout ou un linge doux humide. Continuer de frotter jusqu'à ce que la pellicule blanche disparaisse.

Souillure cuite

- Crème à polir et grattoir pour table de cuisson :

Frotter la crème sur la surface souillée en utilisant un essuie-tout humide. Tenir le grattoir aussi à plat que possible sur la surface et gratter. Répéter pour les taches tenaces. Polir toute la table de cuisson avec la crème et un essuie-tout.

Marques métalliques provenant de l'aluminium et du cuivre

- Crème à polir pour table de cuisson :

Nettoyer dès que la table de cuisson est refroidie. Frotter la crème sur la surface avec un essuie-tout ou un linge doux humide. Continuer de frotter jusqu'à ce que la pellicule blanche disparaisse. Les marques ne disparaîtront pas totalement, mais après plusieurs nettoyages, elles deviendront moins apparentes.

Petites éraflures et abrasions

- Crème à polir pour table de cuisson :

Frotter la crème sur la surface avec un essuie-tout ou un linge doux humide. Continuer de frotter jusqu'à ce que la pellicule blanche disparaisse. Les éraflures et les abrasions n'affectent pas le rendement et après plusieurs nettoyages, elles deviendront moins apparentes.

Ne pas utiliser de laine d'acier, de poudre à récurer abrasive, de produit de blanchiment chloré, de produit de décapage de la rouille ou d'ammoniaque, des dommages peuvent survenir.

BOUTONS DE COMMANDE DE LA TABLE DE CUISSON

Méthode de nettoyage :

- Savon et eau ou lave-vaisselle :

Tirer les boutons directement hors du tableau de commande pour les enlever.

Ne pas utiliser de laine d'acier, de produits de nettoyage abrasifs ou de nettoyant pour four.

Ne pas immerger les boutons.

Lors de la réinstallation des boutons, s'assurer que chaque bouton est à la position d'arrêt Off.

Sur certains modèles, ne pas enlever les joints sous les boutons.

DÉPANNAGE

Essayer les solutions suggérées ici d'abord afin d'éviter le coût d'une visite de service non nécessaire.

Rien ne fonctionne

- **Un fusible est-il grillé ou le disjoncteur s'est-il déclenché?**
Remplacer le fusible ou réenclencher le disjoncteur. Si le problème persiste, appeler un électricien.
- **L'appareil est-il correctement raccordé?**
Voir les instructions d'installation.

La table de cuisson ne fonctionne pas

- **Le bouton de commande est-il réglé correctement?**
Appuyer sur le bouton avant de le tourner à un réglage.
- **Sur les modèles avec vitrocéramique, le verrouillage de la table de cuisson est-il réglé?**
Voir la section "Verrouillage de la table de cuisson".

Chaleur excessive autour des ustensiles de cuisson sur la table de cuisson

- **L'ustensile est-il de dimension appropriée?**
Utiliser un ustensile de cuisson à peu près de la même dimension que la zone de cuisson, l'élément ou le brûleur de surface. L'ustensile de cuisson ne doit pas dépasser de plus de 1/2" (1,3 cm) hors de la zone de cuisson.

Les résultats de cuisson ne sont pas ceux prévus

- **Un ustensile de cuisson approprié a-t-il été employé?**
Voir la section "Ustensiles de cuisson".
- **Le bouton de commande est-il réglé au niveau de chaleur approprié?**
Voir la section "Commandes de la table de cuisson".
- **L'appareil est-il d'aplomb?**
Mettre l'appareil d'aplomb. Voir les instructions d'installation.

ASSISTANCE OU SERVICE

Avant de faire un appel pour assistance ou service, consulter la section “Dépannage”. Ce guide peut vous faire économiser le coût d’une visite de service. Si vous avez encore besoin d’aide, suivre les instructions ci-dessous.

Lors d’un appel, veuillez connaître la date d’achat, le numéro de modèle et le numéro de série au complet de l’appareil. Ces renseignements nous aideront à mieux répondre à votre demande.

Si vous avez besoin de pièces de rechange

Si vous avez besoin de commander des pièces de rechange, nous vous recommandons d’employer uniquement des pièces de rechange FSP®. Les pièces de rechange FSP® conviendront et fonctionneront bien parce qu’elles sont fabriquées avec la même précision utilisée dans la fabrication de chaque nouvel appareil WHIRLPOOL®.

Pour obtenir des pièces de rechange FSP® dans votre région, nous contacter ou appeler le Centre de service désigné de Whirlpool le plus proche.

Trousse pour la mise en conserve

(modèles avec éléments en spirale)

Commander la pièce n° 242905

Crème à polir pour table de cuisson

(modèles avec vitrocéramique)

Commander la pièce n° 31464

Protecteur de table de cuisson

Commander la pièce n° 31463

Trousse d’entretien de la table de cuisson

(comprend la crème à polir, le protecteur et les tampons d’application)

Commander la pièce n° 31605

Grattoir pour table de cuisson

(modèles avec vitrocéramique)

Commander la pièce n° 3183488

Nettoyant tout-usage pour appareils ménagers

Commander la pièce n° 31662

Nettoyant et poli pour acier inoxydable

(modèles en acier inoxydable)

Commander la pièce n° 31462

Nettoyant pour la grille et cuvette à gaz

Commander la pièce n° 31617

Veuillez appeler sans frais le Centre d’interaction avec la clientèle de Whirlpool Canada LP au : **1-800-807-6777**.

Nos consultants vous renseigneront sur les sujets suivants :

- Caractéristiques et spécifications sur toute notre gamme d’appareils électroménagers.
- Utilisation et consignes d’entretien.
- Ventes d’accessoires et pièces de rechange.
- Références aux marchands locaux, aux distributeurs de pièces de rechange et aux compagnies de service. Les techniciens de service désignés par Whirlpool Canada LP sont formés pour remplir la garantie des produits et fournir un service après la garantie, partout au Canada.

Pour plus d’assistance

Si vous avez besoin de plus d’assistance, vous pouvez soumettre par écrit toute question ou préoccupation à Whirlpool Canada LP à l’adresse suivante :

Centre d’interaction avec la clientèle
Whirlpool Canada LP
1901 Minnesota Court
Mississauga, Ontario L5N 3A7

Veuillez inclure dans votre correspondance un numéro de téléphone où on peut vous joindre dans la journée.

GARANTIE DES GROS APPAREILS MÉNAGERS WHIRLPOOL CORPORATION

GARANTIE LIMITÉE DE UN AN

Pendant un an à compter de la date d'achat, lorsque ce gros appareil ménager est utilisé et entretenu conformément aux instructions jointes à ou fournies avec le produit, Whirlpool Corporation ou Whirlpool Canada LP (ci-après désignées "Whirlpool") paiera pour les pièces de rechange FSP® et la main-d'œuvre pour corriger les vices de matériaux ou de fabrication. Le service doit être fourni par une compagnie de service désignée par Whirlpool.

WHIRLPOOL NE PRENDRA PAS EN CHARGE

1. Les visites de service pour rectifier l'installation du gros appareil ménager, montrer à l'utilisateur comment utiliser l'appareil, remplacer ou réparer des fusibles ou rectifier le câblage ou la plomberie du domicile.
2. Les visites de service pour réparer ou remplacer les ampoules électriques de l'appareil, les filtres à air ou les filtres à eau. Ces pièces consommables ne sont pas couvertes par la garantie.
3. Les réparations lorsque le gros appareil ménager est utilisé à des fins autres que l'usage unifamilial normal.
4. Les dommages imputables à : accident, modification, usage impropre ou abusif, incendie, inondation, actes de Dieu, installation fautive ou installation non conforme aux codes d'électricité ou de plomberie, ou l'utilisation de produits non approuvés par Whirlpool.
5. Toute perte d'aliments due à une défaillance du réfrigérateur ou du congélateur.
6. Le coût des pièces de rechange et de la main-d'œuvre pour les appareils utilisés hors des États-Unis ou du Canada.
7. Le ramassage et la livraison. Ce gros appareil ménager est conçu pour être réparé à domicile.
8. Les réparations aux pièces ou systèmes résultant d'une modification non autorisée faite à l'appareil.
9. Les frais de transport pour le service d'un produit dans les régions éloignées.
10. La dépose et la réinstallation de votre appareil si celui-ci est installé dans un endroit inaccessible ou n'est pas installé conformément aux instructions d'installation fournies.

CLAUSE D'EXONÉRATION DE RESPONSABILITÉ AU TITRE DES GARANTIES IMPLICITES; LIMITATION DES RECOURS

LE SEUL ET EXCLUSIF RECOURS DU CLIENT DANS LE CADRE DE LA PRÉSENTE GARANTIE LIMITÉE CONSISTE EN LA RÉPARATION PRÉVUE CI-DESSUS. LES GARANTIES IMPLICITES, Y COMPRIS LES GARANTIES APPLICABLES DE QUALITÉ MARCHANDE ET D'APTITUDE À UN USAGE PARTICULIER, SONT LIMITÉES À UN AN OU À LA PLUS COURTE PÉRIODE AUTORISÉE PAR LA LOI. WHIRLPOOL N'ASSUME AUCUNE RESPONSABILITÉ POUR LES DOMMAGES FORTUITS OU INDIRECTS. CERTAINES JURIDICTIONS NE PERMETTENT PAS L'EXCLUSION OU LA LIMITATION DES DOMMAGES FORTUITS OU INDIRECTS, OU LES LIMITATIONS DE LA DURÉE DES GARANTIES IMPLICITES DE QUALITÉ MARCHANDE OU D'APTITUDE À UN USAGE PARTICULIER, DE SORTE QUE CES EXCLUSIONS OU LIMITATIONS PEUVENT NE PAS S'APPLIQUER DANS VOTRE CAS. CETTE GARANTIE VOUS CONFÈRE DES DROITS JURIDIQUES SPÉCIFIQUES ET VOUS POUVEZ ÉGALEMENT JOUIR D'AUTRES DROITS QUI PEUVENT VARIER D'UNE JURIDICTION À UNE AUTRE.

À l'extérieur du Canada et des 50 États des États-Unis, cette garantie ne s'applique pas. Contacter votre marchand Whirlpool autorisé pour déterminer si une autre garantie s'applique.

Si vous avez besoin de service, voir d'abord la section "Dépannage" du Guide d'utilisation et d'entretien. Après avoir vérifié la section "Dépannage", de l'aide supplémentaire peut être trouvée en vérifiant la section "Assistance ou service" ou en appelant Whirlpool. Aux É.-U., composer le **1-800-253-1301**. Au Canada, composer le **1-800-807-6777**. 8/05

Conservez ce manuel et votre reçu de vente ensemble pour référence ultérieure. Pour le service sous garantie, vous devez présenter un document prouvant la date d'achat ou d'installation.

Inscrivez les renseignements suivants au sujet de votre gros appareil ménager pour mieux vous aider à obtenir assistance ou service en cas de besoin. Vous devrez connaître le numéro de modèle et le numéro de série au complet. Vous trouverez ces renseignements sur la plaque signalétique située sur le produit.

Nom du marchand _____
Adresse _____
Numéro de téléphone _____
Numéro de modèle _____
Numéro de série _____
Date d'achat _____

8286616

© 2005 Whirlpool Corporation.
All rights reserved.
Tous droits réservés.

© Registered Trademark/TM Trademark of Whirlpool, U.S.A., Whirlpool Canada LP Licensee in Canada
® Marque déposée/TM Marque de commerce de Whirlpool, U.S.A., emploi licencié par Whirlpool Canada LP au Canada



9/05
Printed in U.S.A.
Imprimé aux É.-U.