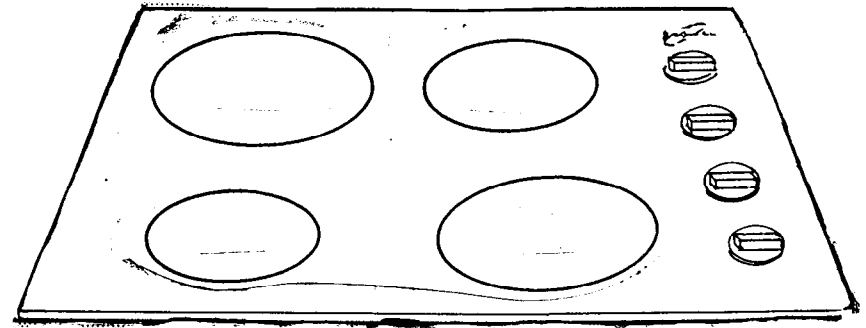


# Installation Instructions



**Important:  
Read and save  
these instructions.**

Part No. 3147386 Rev. B

**IMPORTANT:**

**Installer:** Leave Installation Instructions with the homeowner.

**Homeowner:** Keep Installation Instructions for future reference.

**Save** Installation Instructions for local electrical inspector's use.

**30" Electric  
Built-in  
Ceramic Cooktop**



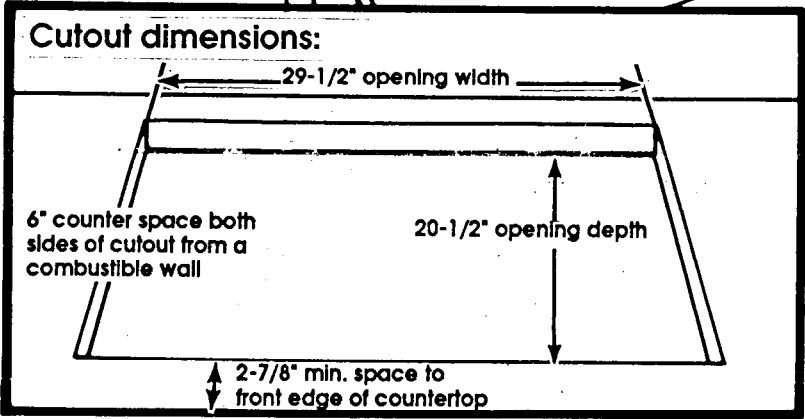
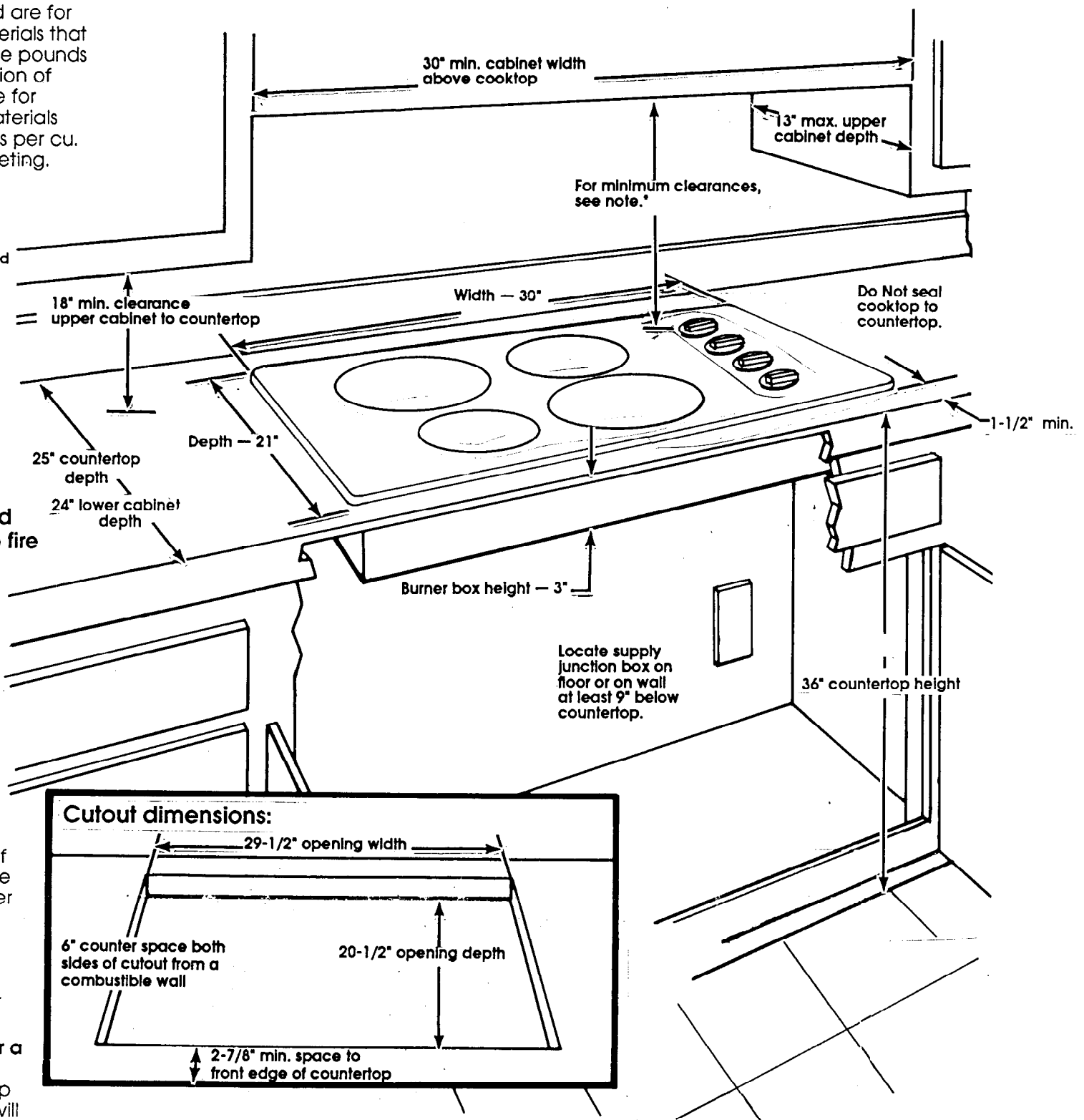
# Before you start...

Proper installation is your responsibility. Make sure you have everything necessary for correct installation. It is the responsibility of the installer to comply with the installation clearance specified on the serial/rating plate. The serial/rating plate is located on the bottom of the cooktop.

Check location where cooktop will be installed. The location should be away from strong draft areas, such as windows, doors and strong heating vents or fans. The cooktop should be located for convenient use in the kitchen.

**30" min. base cabinet** is required. If cabinet has a drawer, a 3" depth clearance from the countertop to the top of the drawer (or other obstruction) in base cabinet is required.

NOTE: Clearances specified are for combustible walls and materials that have a density of 20 or more pounds per cubic foot. No evaluation of clearances has been made for installations adjacent to materials that are less than 20 pounds per cu. ft. or to plastic tiles and sheeting.



\*Note: 24" min. when bottom of wood or metal cabinet is protected by not less than 1/4" flame retardant millboard covered with not less than No. 28 MSG sheet steel, 0.015" stainless steel, 0.024" aluminum, or 0.020" copper.

30" min. clearance between top of cooking platform and the bottom of an unprotected metal or wood cabinet.

**IMPORTANT:** Observe all governing codes and ordinances. Failure to meet codes and ordinances could lead to fire or electrical shock.

Grounded electrical outlet is required. See Electrical requirements.

Countertop opening dimensions that are shown must be used whether cooktop is installed separately or in combination with built-under oven.

A built-under oven may be installed under this cooktop if oven is approved for this type of installation. Contact dealer to confirm that oven is approved. Refer to oven manufacturers Installation Instructions for approval and proper cutout dimensions for oven.

When installing cooktop over a built-under oven, Do Not fasten cooktop to countertop with clamps. Cooktop then will be easy to remove if servicing is ever necessary.

## ⚠ WARNING

### Electrical Shock Hazard

It is the customer's responsibility:

- To contact a qualified electrical installer.
- To assure that the electrical installation is adequate and in conformance with National Electrical Code, ANSI/NFPA 70-latest edition\*\*, and all local codes and ordinances.

Failure to do so could result in fire, electrical shock or other personal injury.

### Personal Injury Hazard

Cabinet storage above the cooking surface should be avoided. If cabinets are already installed, reduce the hazard of reaching over a heated cooking surface by installing a range hood.

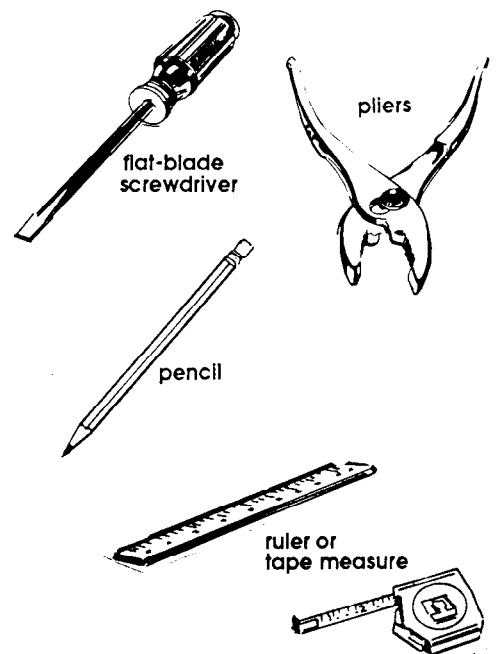
The range hood should extend a minimum of 5 inches out from the bottom front of the cabinets.

Reaching over a heated cooking surface could result in a serious burn.

Copies of the standards listed may be obtained from:

\*\* National Fire Protection Association  
Batterymarch Park  
Quincy, Massachusetts 02269

## Tools needed for installation:



# Electrical requirements

**IMPORTANT:**  
Save Installation Instructions for electrical inspector's use.

## ⚠ WARNING

### Electrical Shock Hazard

- Electrical ground is required on this appliance.
- If cold water pipe is interrupted by plastic, non-metallic gaskets or other insulating materials, Do Not use for grounding.
- Check with a qualified electrician if you are in doubt as to whether the appliance is properly grounded.
- Do Not have a fuse in the neutral or grounding circuit. A fuse in the neutral or grounding circuit could result in electrical shock.

Failure to follow these instructions could result in an electrical shock or other personal injury.

If codes permit and a separate grounding wire is used, it is recommended that a qualified electrician determine that the grounding path is adequate.

## A.

A three-wire, single phase, 240-volt, 60-Hz, AC only electrical supply is required on a separate, 40-ampere circuit, fused on both sides of the line. (A time-delay fuse or circuit breaker is recommended.) The fuse size must not exceed the circuit rating of the appliance specified on the serial/rating plate located on the bottom of the cooktop.

It is the personal responsibility and obligation of the customer to contact a qualified electrician to assure that the electrical installation is adequate and in conformance with National Electrical Code, ANSI/NFPA 70-latest edition\*, and all local codes and ordinances.

## B.

THE COOKTOP MUST BE CONNECTED WITH COPPER WIRE ONLY.

## C.

Wire sizes and connections must conform to the requirements of the National Electrical Code, ANSI/NFPA 70 — latest edition\*, and all local codes and ordinances.

Copies of the standards listed may be obtained from:

\* National Fire Protection Association  
Batterymarch Park  
Quincy, Massachusetts 02269

## D.

The appliance should be connected directly to the fused disconnect (or circuit breaker) through flexible, armored or non-metallic sheathed, copper cable. The flexible, armored cable extending from the appliance should be connected directly to the junction box. Allow two or three feet of slack in the line so that the appliance can be moved if servicing is ever necessary.

A U.L.-listed conduit connector must be provided at each end of the power supply cable (at the appliance and at the junction box). Wire sizes (COPPER WIRE ONLY) and connections must conform with the rating of the appliance (40 amperes).

# Electrical connection

## ⚠ WARNING

### Electrical Shock Hazard

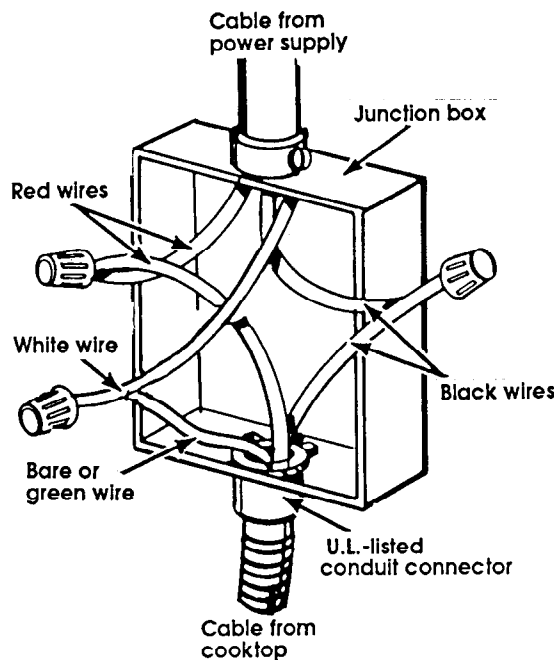
- Electrical ground is required on this appliance.
- This appliance must be connected to a grounded, permanent wiring system or a grounding connector should be connected to the grounding terminal or wire lead on the appliance.
- Disconnect power to the junction box.
- Do Not connect to the electrical supply until appliance is permanently grounded.

Failure to do so could result in electrical shock, serious injury, or death.

This appliance is manufactured with a frame-connected, green or bare, grounding wire.

Connect the appliance cable to the junction box through the U.L.-listed conduit connector. Complete electrical connection according to local codes and ordinances.

**Where local codes permit connecting the frame-grounding conductor to the neutral (white) junction box wire:**

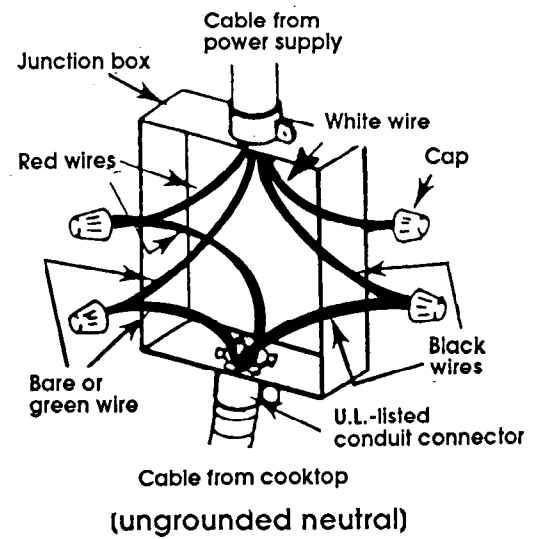


(grounded neutral)

Figure 1

1. Disconnect the power supply.
2. Connect the green (or bare) appliance cable wire with the neutral wire in the junction box.
3. Connect the two black wires; then connect the two red wires. (See Figure 1.)

Where local codes Do Not permit connecting the frame-grounding conductor to the neutral (white) junction box wire:

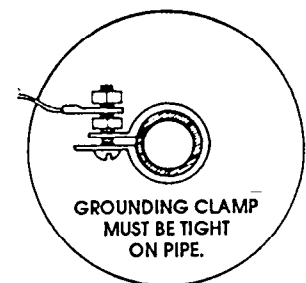


(ungrounded neutral)

Figure 2

1. Disconnect the power supply.
2. Connect the two black wires; then connect the two red wires. (See Figure 2.)
3. Connect the green or bare grounding wire from the appliance cable to a grounded wire in the junction box or to a grounded, copper, cold water pipe.\*\*
4. Do Not ground to a gas supply pipe or hot water pipe. Do Not connect to electrical supply until appliance is permanently grounded. (See Figure 3.)

\*\* Grounded, cold water pipe must have metal continuity to electrical ground and not be interrupted by plastic, rubber, or other electrical insulating connectors such as hoses, fittings, washers or gaskets (including water meter or pump). Any electrical insulating connector should be jumped as shown with a length of No.-4 copper wire securely clamped to bare metal at both ends.



Tighten nuts firmly. Bumps on grounding clamp must contact pipe.

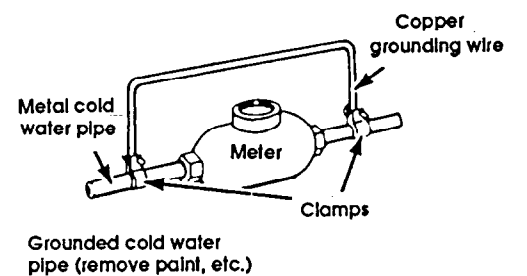


Figure 3

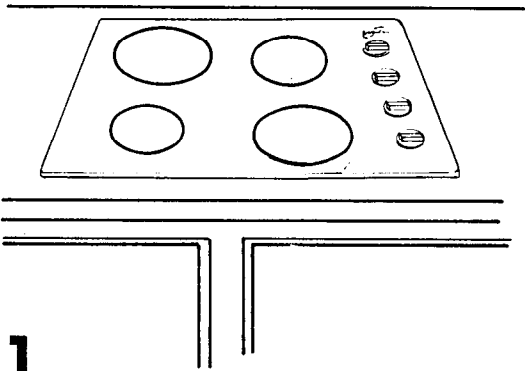
# Now start...

With cooktop in kitchen.

## CAUTION

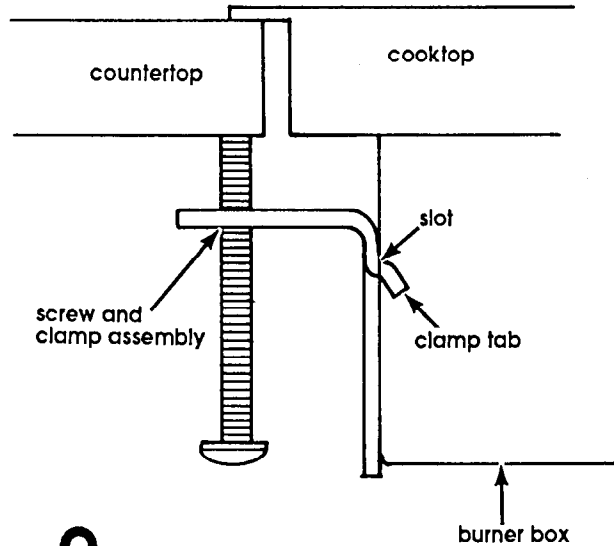
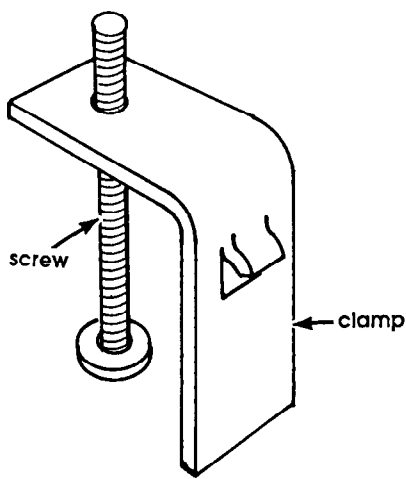
### Property Damage

Lift entire cooktop up from cutout when repositioning cooktop in countertop opening. Failure to do so could scratch countertop.



1.

Insert the cooktop into the countertop cutout. Center the cooktop in the cutout. Check that the front of the cooktop is parallel to the front edge of the countertop. Check that all required clearances are met. If cooktop is not properly positioned, lift the entire cooktop out of opening to make adjustments.



2.

Insert one clamp tab through each slot located on sides of the burner box.

## CAUTION

### Product Damage

Do Not overtighten screws. Overtightening screws could damage cooktop surface.

3.

Secure cooktop to countertop by hand-tightening each screw; then use a screwdriver to tighten each screw 1 to 1-1/2 more turns. Do Not overtighten screws.

4.

Make the electrical connection. (See Electrical requirements and Electrical connection sections, Panel B, for details.)

5.

Turn on the power supply.

## WARNING

### Personal Injury Hazard

Do Not touch cooktop heating elements; they may be hot. Touching a heated cooking surface could result in a serious burn.

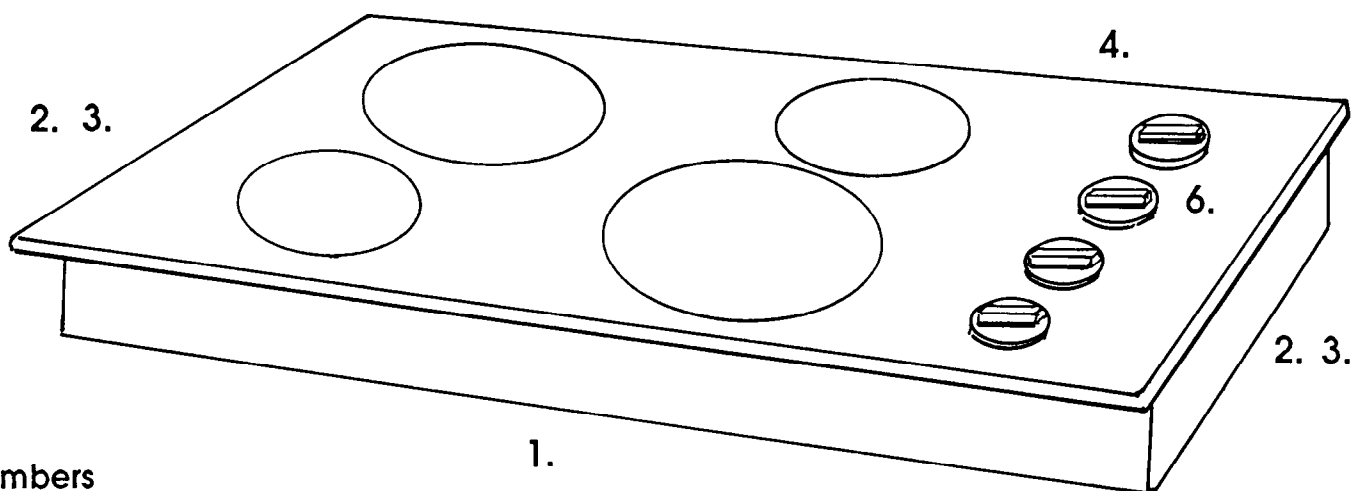
6.

Push in and turn each control knob to the "HI" position. Check the operation of the cooktop heating elements and indicator lights.

You have just finished installing your new Whirlpool cooktop. To get the most efficient use from your new cooktop, read your Whirlpool Use & Care Guide.

## Congratulations!

Keep Installation Instructions and Guide close to cooktop for easy reference. The instructions will make reinstalling your Whirlpool cooktop in another home as easy as the first installation.



Numbers correspond to steps.

## If the cooktop does not operate...

Check that the circuit breaker is not tripped or the house fuse blown. A more detailed troubleshooting checklist is provided in the Use and Care Guide.

## If you need assistance...

The Whirlpool Consumer Assistance Center will answer any questions about operating or maintaining your cooktop not covered in the Installation Instructions. The Whirlpool Consumer Assistance Center is open 24 hours a day, 7 days a week. Just dial 1-800-253-1301 — the call is free.

When you call, you will need the cooktop model number and serial number. Both numbers can be found on the serial/rating plate located on the bottom of the burner box.

## If you need service...

In the event that your Whirlpool appliance should need service, call the dealer from whom you purchased the appliance or a Whirlpool-authorized service company. A Whirlpool-authorized service company is listed in the Yellow Pages of your telephone directory under "Appliances — Household — Major — Service or Repair". You can also obtain the service company's name and telephone number by dialing, free, within the continental United States, the Whirlpool Consumer Assistance Center telephone number, 1-800-253-1301. A special operator will tell you the name and number of your nearest Whirlpool-authorized service company.

Maintain the quality built into your Whirlpool appliance — call a Whirlpool-authorized service company.

