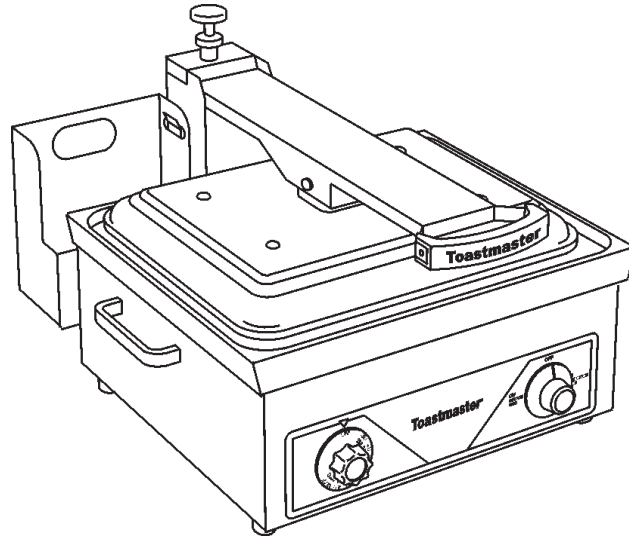


A710 Series Parts (1993-current)  
USA & Standard Export  
English



A710 series  
USA & Std. Export



# ***A710 Series Sandwich and Panini Grills***

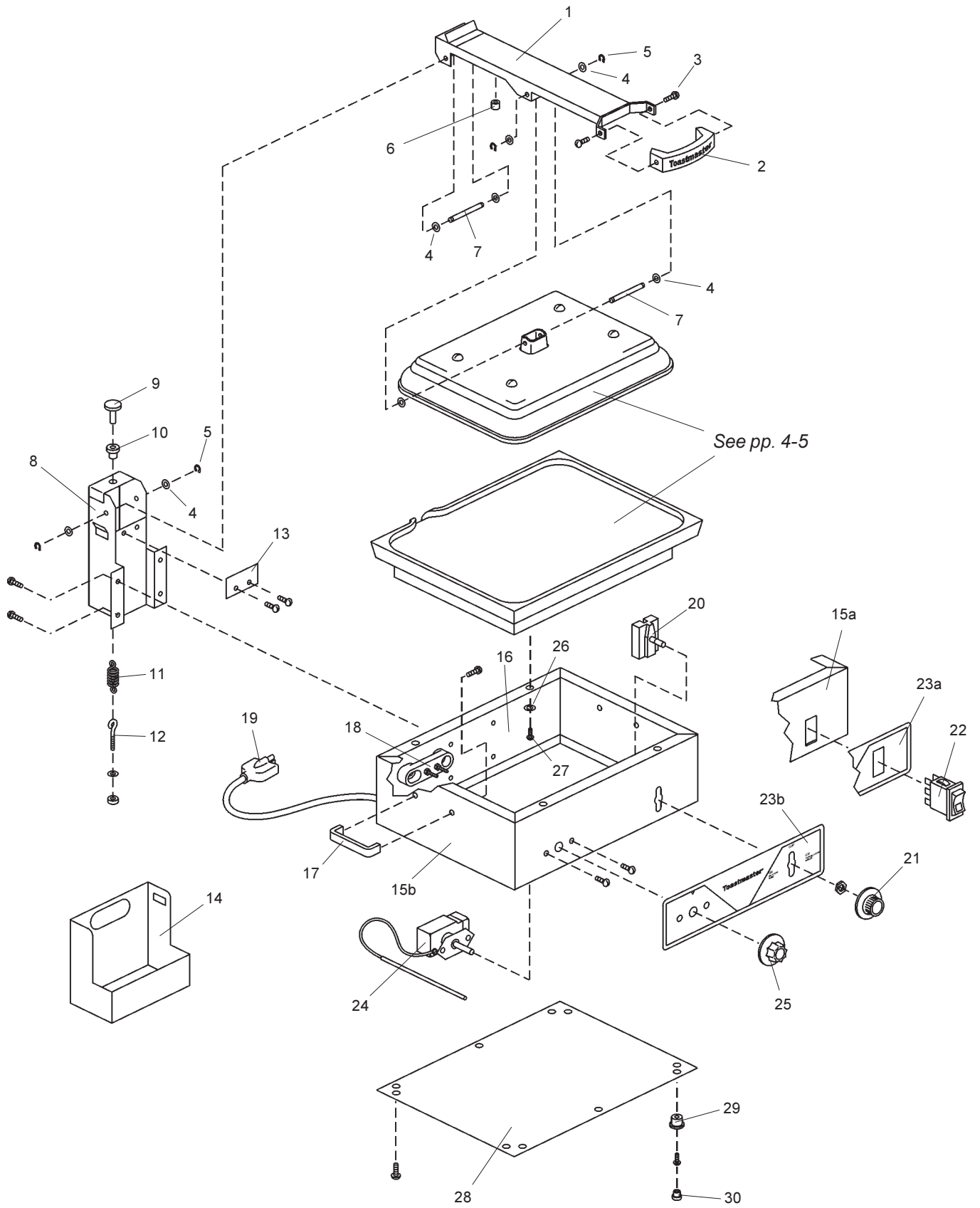
***(produced 1993 or later)***

**MODELS:**    **A7106**        **A7106-A**        **A7106U**  
                  **A710PA**        **A710PA74**      **A710PAU**      **A710SA**

# ***PARTS MANUAL***

***for domestic and standard export grills***

# MAIN COMPONENTS



# PARTS LIST

January 28, 2011, Rev -

## Model No: A7106, A7106-A, A710U, A710PA, A710PA74, A710PAU, A710SA Main Components

Item Number	Qty Per	Part Number	Description
1	1	2B-7609805	ASSY ARM
2	1	2R-3101758	HANDLE, DRAWER
3	2	2C-2000126	SCR, MS PHL PNHD 8-32X1/2
4	A/R	2C-2001767	WASHER, FLAT 1/4in SST
5	A/R	2C-3102933	RING, RETAINING, SH-25 SS
6	1	2A-K1DS268	PAD, RUBBER FOOT ADHSV BACK
7	2	2V-7006900	ASSY, PIN TOP
8	1	D9-7609806	ASSY, BRACKET HINGE
9	1	2R-2100095	STUD, KNOB ADJUSTMENT 1/4
10	1	2R-A710E8901	KNOB KNURLED THUMB
11	1	2P-3103258	SPRING, BALANCE
12	1	2C-3102521	SCR,EYE 8-32 X 1.69'OA
13	1	D9-7006914	COVER, PLATE
14	1	2W-7006899	TROUGH, GREASE
15.2	1	D9-44400	WLDMT, CASE A710
16	1	D9-7610590	WLMT, PLATE BACK
17	2	2R-3101722	HANDLE, 10-24 TAP BUFF FIN
18	1	D9-1456A0133	ASSY, BLOCK TERMINAL
19.1	1	NLA	ASSY, CORD AND PLUG, NEMA (5-15P) 120V
19.2	1	D9-7610589	ASSY, CORDSET (6-16P) 250V15
19.3	1	2E-52293	ASSY, CORDSET (5-20P) 125V20
19.4	1	D9-58622	CORDSET, (6-15P)250V15A16
20	1	PS-TC0047	KIT, 3POS. ROT SWITCH RPL
21	1	2R-33402	KNOB, CONTROLS (TC14)
21	2	2R-33402	KNOB, CONTROLS (TC14)
22	1	NLA	
23.2	1	2M-Z13090	GRAPHIC, TM A710
24	1	2T-7A2S86	THERMOSTAT, 100-450F
25	1	2R-A710E8751	KNOB, TSTAT 150-450F
26	4	2C-B10212	WASHER,LOCK SPLIT 1/4IN Z
27	4	2C-2000340	SCR,MS HX HD 1/4-20X3/8 1
28	1	D9-7007827	COVER CASE BOTTOM
29	4	2P-4021D8905	BUMPER, RECESS, COMPND BUNA
30	4	2P-3100357	BUMPER

**IMPORTANT: WHEN ORDERING, SPECIFY VOLTAGE OR TYPE GAS DESIRED  
INCLUDE MODEL AND SERIAL NUMBER**

PAGE 1  
OF 1

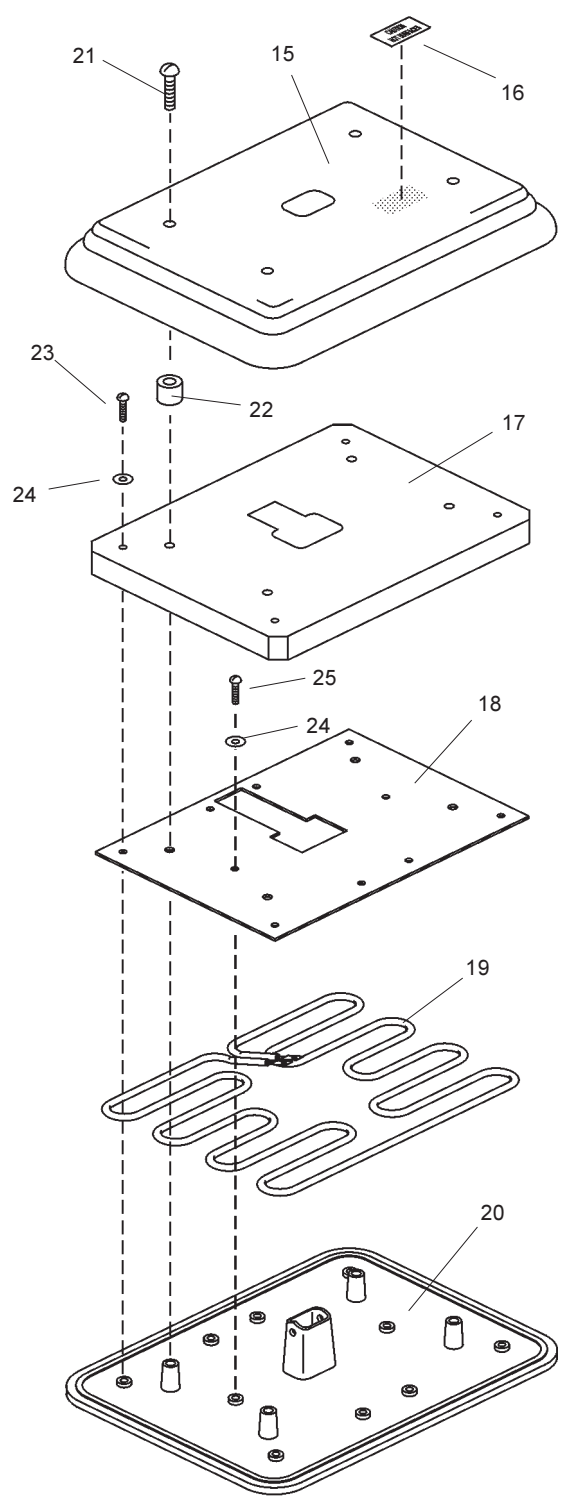
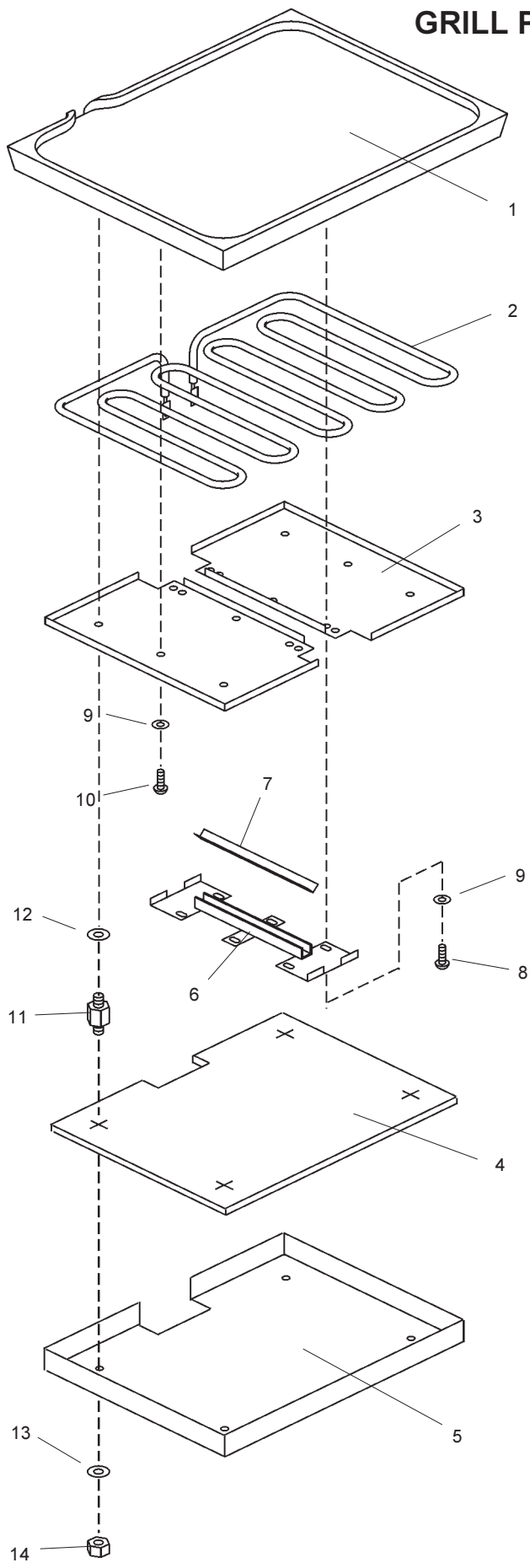
Some items are included for illustrative purposes only and in certain instances may not be available.



Star International Holdings Inc. Company

A710 series  
USA & Std. Export

# GRILL PLATE AND HEATER COMPONENTS



# PARTS LIST

November 12, 2010, Rev -

## Model No: A7106, A7106-A, A710U, A710PA, A710PA74, A710PAU, A710SA Grill Plate and Heater Components

Item Number	Qty Per	Part Number	Description
1	1	2F-A710E8101	GRIDDLE,BOTTOM PLATE A710
1.1	1	2F-A710E1023	GRIDDLE BOTTOM PLATE CTD A710SA
1.2	1	2F-41748	GRIDDLE BOT PLT GROOVED A710PA, A710PA74, A710PAU
2.1	1	2N-A710E8704	ELEMENT, HEATING BOT 120V 120V
2.2	1	2N-A710E8705	ELEMENT, HEATING BOT 208V 208V
2.3	1	2N-A710E8708	ELEMENT, HEATING BOT 240V 240V
3	2	D9-A710E1007	PLATE, PRESSURE BOTTOM
4	1	D9-7007824	INSULATION, BOTTOM ELEMENT
5	1	D9-A710E1017	BAFFLE, BOTTOM HEATER
6	1	D9-A710E0003	ASSY, CLAMP BULB
7	1	D9-7002943	PLATE, BULB
8	6	2C-B301A8843	SCR, MS HX HD 1/4-20X1/2
9	8	2C-F706A8805	WASHER, FLAT RIVET BURR
10	2	2C-2000340	SCR,MS HX HD 1/4-20X3/8 1
11	4	2A-7007823	STANDOFF,1/4-20X.56
12	4	NLA	
13	4	2C-B10212	WASHER, LOCK SPLIT 1/4IN
14	4	2C-F706A8807	NUT, HEX 1/4-20 BRASS
15	1	D9-A710E3023	COVER, TOP
16	1	2M-1112B8303	LABEL, CAUTION INHOT SURFACE
17	1	D9-A710E1001	BAFFLE, TOP HEATER
18	1	D9-A710E1021	PLATE, TOP CLAMP
19.1	1	2N-A710E8712	ELEMENT, HEATING TOP 120V 120V
19.2	1	2N-A710E8713	ELEMENT, HEATING TOP 208V 208V
19.3	1	2N-A710E8716	ELEMENT, HEATING TOP 240V 240V
20.1	1	2F-A710E1025	GRIDDLE, TOP PLATE CTD A710 A710SA
20.2	1	2F-41747	GRIDDLE, TOP PLT GROOVED A710PA, A710PA74, A710PAU
20.3	1	2F-A710E8103	GRIDDLE,TOP PLATE A710
21	4	2C-3000350	SCR, MS SLT TRHD 1/4-20X.5
22	4	NLA	
23	4	NLA	
24	10	2C-F706A8805	WASHER, FLAT RIVET BURR
25	6	2C-2000340	SCR,MS HX HD 1/4-20X3/8 1

**IMPORTANT: WHEN ORDERING, SPECIFY VOLTAGE OR TYPE GAS DESIRED  
INCLUDE MODEL AND SERIAL NUMBER**

PAGE 1  
OF 1

Some items are included for illustrative purposes only and in certain instances may not be available.



Star International Holdings Inc. Company

## **WARNING**

**Improper installation, adjustment, alteration, service or maintenance can cause property damage, injury or death. Read the installation, operating and maintenance instructions thoroughly before installing or servicing this equipment.**

### **NOTICE**

During the warranty period, ALL parts replacement and servicing should be performed by your Toastmaster Authorized Service Agent. Service that is performed by parties other than your Toastmaster Authorized Service Agent may void your warranty.

### **NOTICE**

Using any parts other than genuine Toastmaster factory manufactured parts relieves the manufacturer of all warranty and liability.

### **NOTICE**

Toastmaster reserves the right to change specifications at any time.

Middleby Cooking Systems Group • 1400 Toastmaster Drive • Elgin, IL 60120 • USA • (847)741-3300 • FAX (847)741-4406

**24-Hour Service Hotline: 1-(800)-238-8444**

***www.middleby.com***

