

## 3/8" DIAPHRAGM PUMP 1:1 RATIO, NON-METALLIC with Filter / Regulator



**READ THIS MANUAL CAREFULLY BEFORE INSTALLING,  
OPERATING OR SERVICING THIS EQUIPMENT.**

It is the responsibility of the employer to place this information in the hands of the operator. Keep for future reference.

### GENERAL DESCRIPTION

The 670074 special 3/8" diaphragm pumps are similar to models PD03P-AES-DTT diaphragm pumps. These pumps feature inlet and outlet manifolds with 3/8 - 18 N.P.T.F. - 1 threads and a filter / regulator on the air inlet.

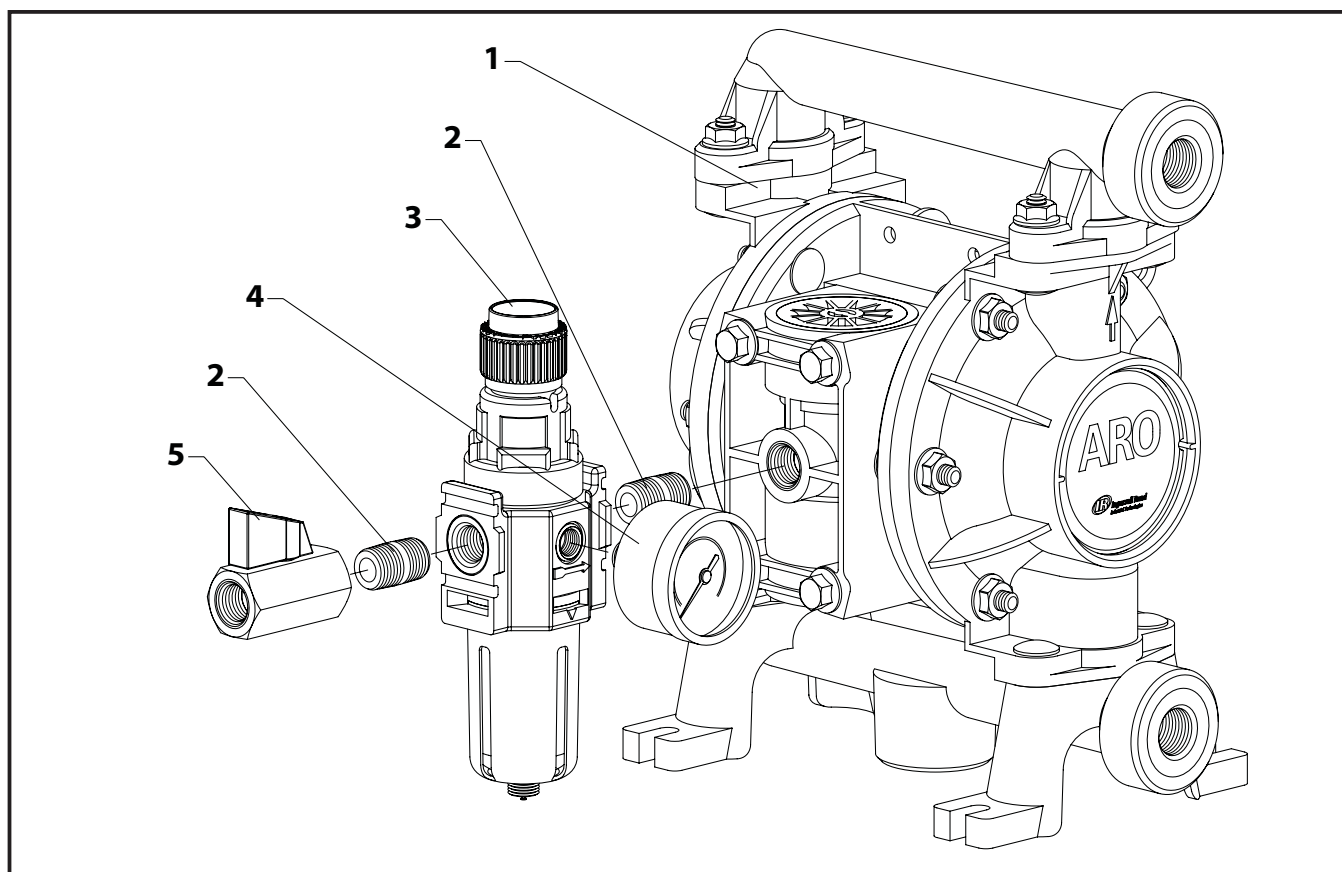
A PD03P-X-X operator's manual (part number 97999-1180) is to be used for General Information, Installation, Operation and Maintenance. Follow the standard parts list with the addition of the items listed below.

### SERVICE KITS

**104255** for repair of P29122-600 filter / regulator.

**637428** for air section repair.

**637429-TT** for fluid section repair.



### 670074 PARTS LIST

Item	Description (size)	(Qty)	Part No.	Item	Description (size)	(Qty)	Part No.
1	3/8" Diaphragm Pump	(1)	PD03P-AES-DTT	4	Gauge (included with item 3)	(1)	100095-160
2	Nipple (1/4 - 18 N.P.T. x 7/8" long)	(2)	Y27-2-C	5	Ball Valve (1/4 - 18 N.P.T.)	(1)	104077-2
3	Piggyback Filter / Regulator	(1)	P29122-600				

PN 97999-1253

INGERSOLL RAND COMPANY LTD  
P.O. BOX 151 • ONE ARO CENTER • BRYAN, OHIO 43506-0151

① (800) 276-4658 • FAX (800) 266-7016

© 2007

CCN 15281553

# ARO

**IR** Ingersoll Rand  
Industrial Technologies