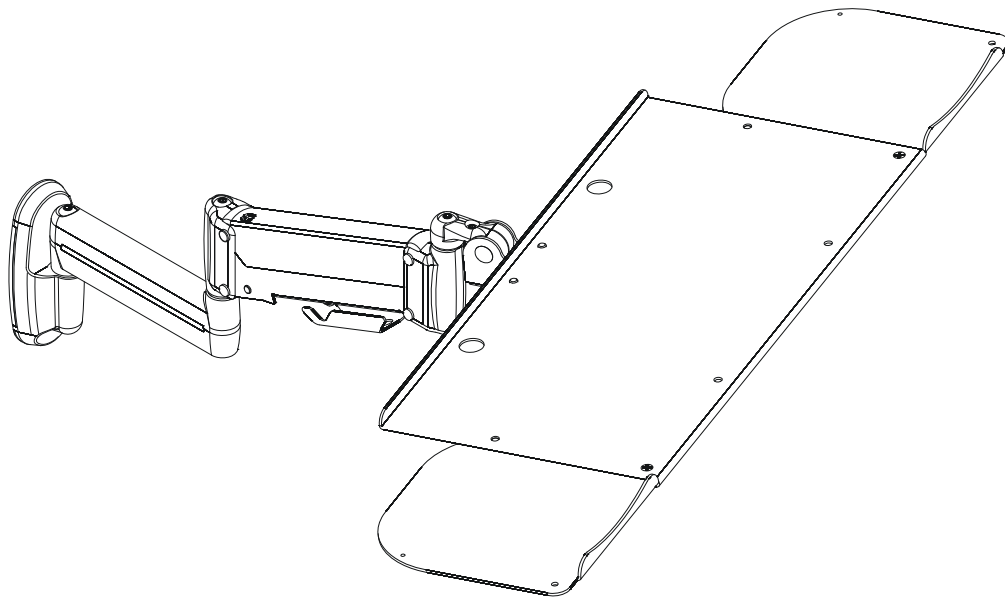

INSTALLATION INSTRUCTIONS



Height Adjustable Dual Arm with Keyboard Tray

DISCLAIMER

Milestone AV Technologies, and its affiliated corporations and subsidiaries, (collectively Milestone) intend to make this manual accurate and complete. However, Milestone makes no claim that the information contained herein covers all details, conditions or variations, nor does it provide for every possible contingency in connection with the installation or use of this product. The information contained in this document is subject to change without notice or obligation of any kind. Milestone makes no representation of warranty, expressed or implied, regarding the information contained herein. Milestone assumes no responsibility for accuracy, completeness or sufficiency of the information contained in this document.

Chief® is a registered trademark of Milestone AV Technologies. All rights reserved.

! IMPORTANT WARNINGS AND CAUTIONS!

! WARNING: A WARNING alerts you to the possibility of serious injury or death if you do not follow the instructions.

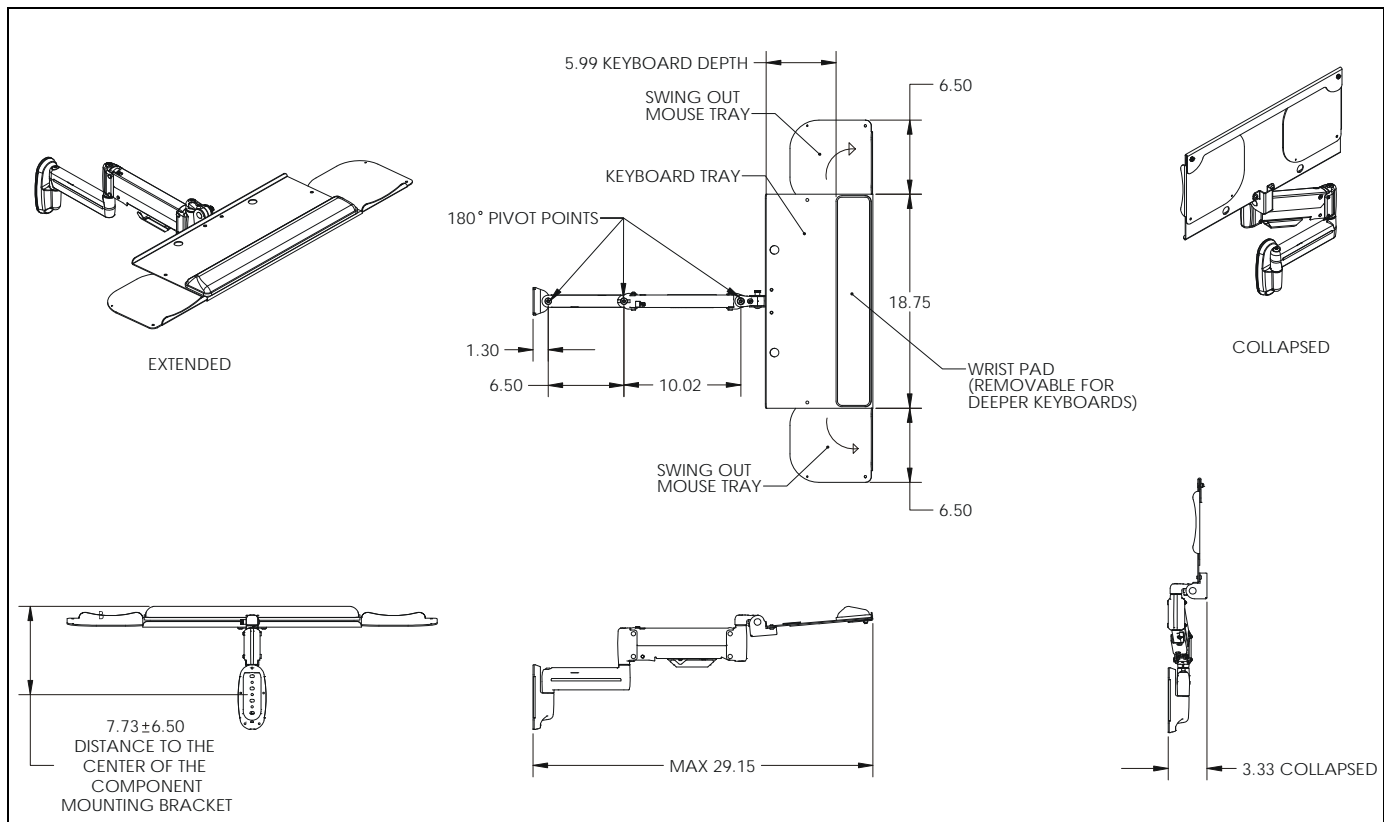
! CAUTION: A CAUTION alerts you to the possibility of damage or destruction of equipment if you do not follow the corresponding instructions.

! WARNING: Failure to read, thoroughly understand, and follow all instructions can result in serious personal injury, damage to equipment, or voiding of factory warranty! It is the installer's responsibility to make sure all components are properly assembled and installed using the instructions provided.

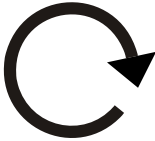

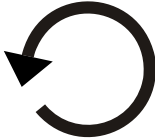


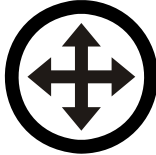






! WARNING: Failure to provide adequate structural strength for this component can result in serious personal injury or damage to equipment! It is the installer's responsibility to make sure the structure to which this component is attached can support five times the combined weight of all equipment. Reinforce the structure as required before installing the component.

! WARNING: Exceeding the weight capacity can result in serious personal injury or damage to equipment! It is the installer's responsibility to make sure the combined weight of all components located between the KWK-110 mount up to (and including) the keyboard does not exceed 10 lbs (4.5 kg).

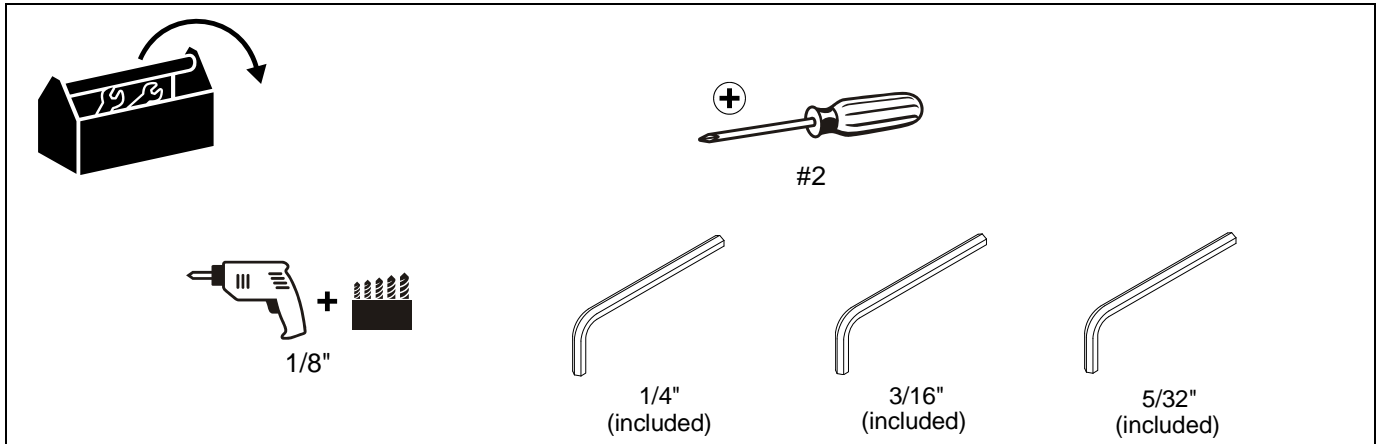
DIMENSIONS



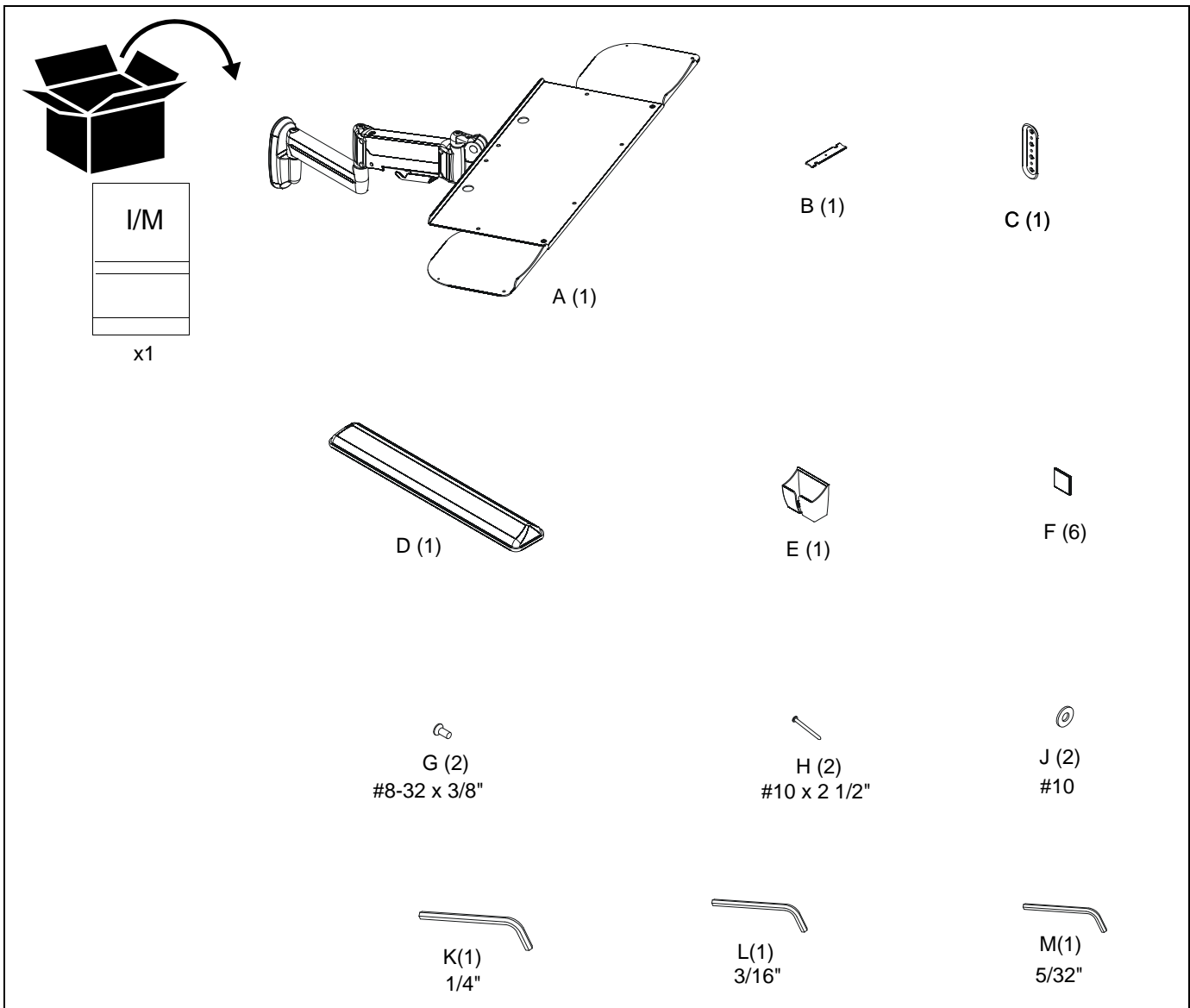
LEGEND

	<p>Tighten Fastener</p> <p>Apretar elemento de fijación</p> <p>Befestigungsteil festziehen</p> <p>Apertar fixador</p> <p>Serrare il fissaggio</p> <p>Bevestiging vastdraaien</p> <p>Serrez les fixations</p>		<p>Pencil Mark</p> <p>Marcar con lápiz</p> <p>Stiftmarkierung</p> <p>Marcar com lápis</p> <p>Segno a matita</p> <p>Potloodmerkteken</p> <p>Marquage au crayon</p>
	<p>Loosen Fastener</p> <p>Aflojar elemento de fijación</p> <p>Befestigungsteil lösen</p> <p>Desapertar fixador</p> <p>Allentare il fissaggio</p> <p>Bevestiging losdraaien</p> <p>Desserrez les fixations</p>		<p>Drill Hole</p> <p>Perforar</p> <p>Bohrloch</p> <p>Fazer furo</p> <p>Praticare un foro</p> <p>Gat boren</p> <p>Percez un trou</p>
	<p>Phillips Screwdriver</p> <p>Destornillador Phillips</p> <p>Kreuzschlitzschraubendreher</p> <p>Chave de fendas Phillips</p> <p>Cacciavite a stella</p> <p>Kruiskopschroevendraaier</p> <p>Tournevis à pointe cruciforme</p>		<p>Adjust</p> <p>Ajustar</p> <p>Einstellen</p> <p>Ajustar</p> <p>Regolare</p> <p>Afstellen</p> <p>Ajuster</p>
	<p>Open-Ended Wrench</p> <p>Llave de boca</p> <p>Gabelschlüssel</p> <p>Chave de bocas</p> <p>Chiave a punte aperte</p> <p>Steeksleutel</p> <p>Clé à fourche</p>		<p>Remove</p> <p>Quitar</p> <p>Entfernen</p> <p>Remover</p> <p>Rimuovere</p> <p>Verwijderen</p> <p>Retirez</p>
	<p>By Hand</p> <p>A mano</p> <p>Von Hand</p> <p>Com a mão</p> <p>A mano</p> <p>Met de hand</p> <p>À la main</p>		<p>Optional</p> <p>Opcional</p> <p>Optional</p> <p>Opcional</p> <p>Opzionale</p> <p>Optie</p> <p>En option</p>
	<p>Hex-Head Wrench</p> <p>Llave de cabeza hexagonal</p> <p>Sechskantschlüssel</p> <p>Chave de cabeça sextavada</p> <p>Chiave esagonale</p> <p>Zeskantsleutel</p> <p>Clé à tête hexagonale</p>		<p>Security Wrench</p> <p>Llave de seguridad</p> <p>Sicherheitsschlüssel</p> <p>Chave de segurança</p> <p>Chiave di sicurezza</p> <p>Veiligheidssleutel</p> <p>Clé de sécurité</p>

TOOLS REQUIRED FOR INSTALLATION



PARTS



MOUNT INSTALLATION



WARNING: FAILURE TO PROVIDE ADEQUATE STRUCTURAL STRENGTH FOR THIS MOUNT CAN RESULT IN SERIOUS PERSONAL INJURY OR DAMAGE TO EQUIPMENT! It is the installer's responsibility to make sure the structure to which this mount is attached can support five times the combined weight of the mount and all equipment attached to it. Reinforce the structure as required before installing the mount.

Mount Installation Using Wood Studs

1. Determine location for mount keeping in mind extension and height adjustment (if applicable) requirements.
2. Using wall plate (C) as a template, mark then drill two 1/8" diameter pilot holes through top and bottom holes of wall bracket into wall structure. (See Figure 1)

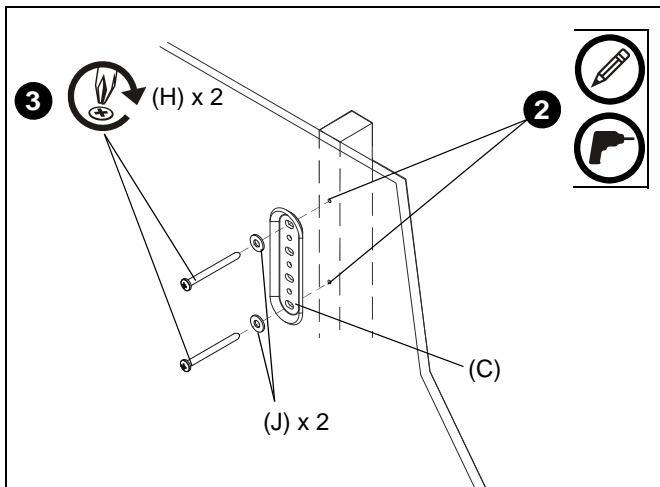


Figure 1

3. Install two #10 x 2 1/2" Phillips Pan Head Tapping screws (H) through #10 washers (J), wall plate (C) and drywall into wood stud. (See Figure 1)
4. Ensure wall plate (C) is vertical, then tighten screws (H).



CAUTION: Overtightening screws may cause wall bracket to compress into soft wall surface, resulting in difficult mount installation or improper engaging of set screw in later step.

5. Insert top of wall mount (A) over lip on top of wall plate (C). (See Figure 2)
6. Swing wall mount down flush against wall. (See Figure 2)

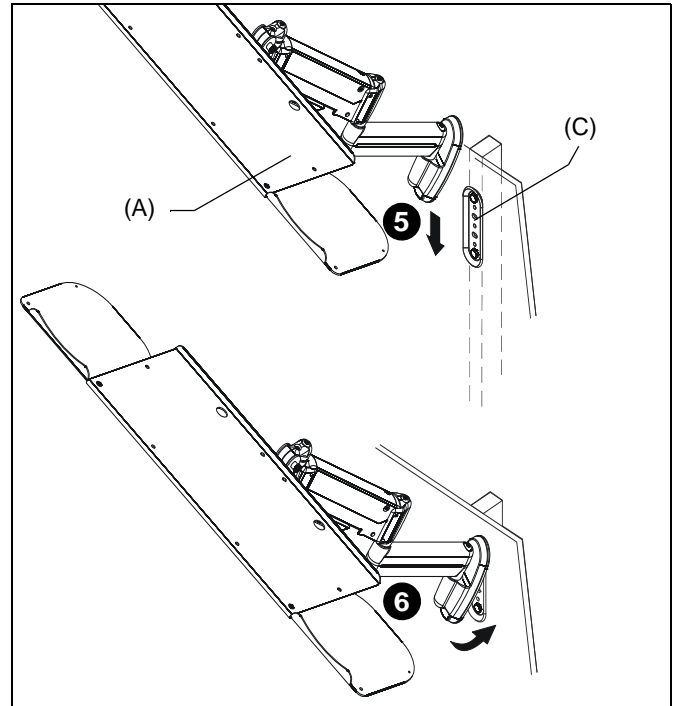


Figure 2

7. Use 5/32" hex driver to tighten set screw in bottom of wall mount. (See Figure 3)

NOTE: Ensure set screw engages on back side of wall plate to properly secure wall mount.

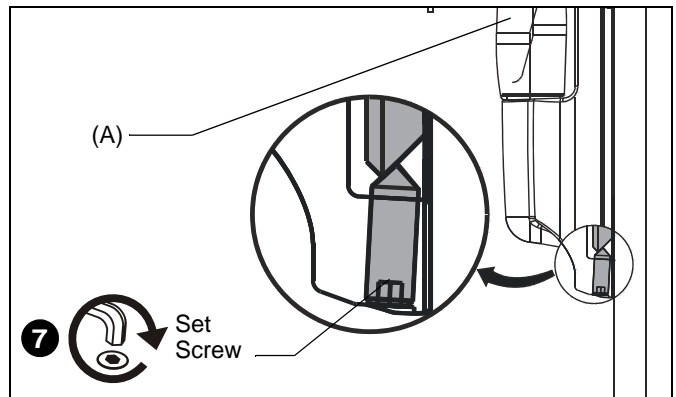


Figure 3

KEYBOARD AND WRIST PAD INSTALLATION

1. Remove adhesive backing from one side of hook and loop connectors (F).
2. Place hook and loop connectors (F) on bottom of the keyboard and bottom of wrist pad approximately as shown. (See Figure 4)

NOTE: Place connectors only on flat sections of the keyboard to ensure that they stick to the surface.

3. Remove the adhesive backing from the other side of the hook and loop connectors (F).
4. Firmly place keyboard on keyboard tray making sure to leave room for the wrist pad if necessary. (See Figure 4)
5. Firmly place wrist pad (D) on keyboard tray in front of the keyboard. (See Figure 4)

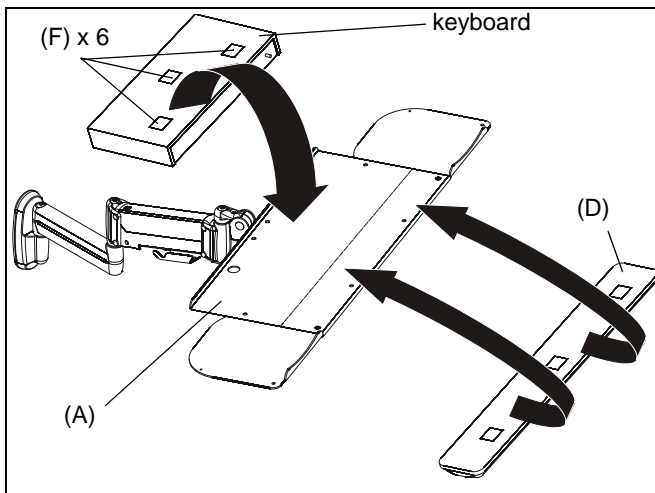


Figure 4

Mouse Holder Installation

1. Remove adhesive backing from mouse holder (E).
2. Place mouse holder (E) on wall at desired location. (See Figure 5)

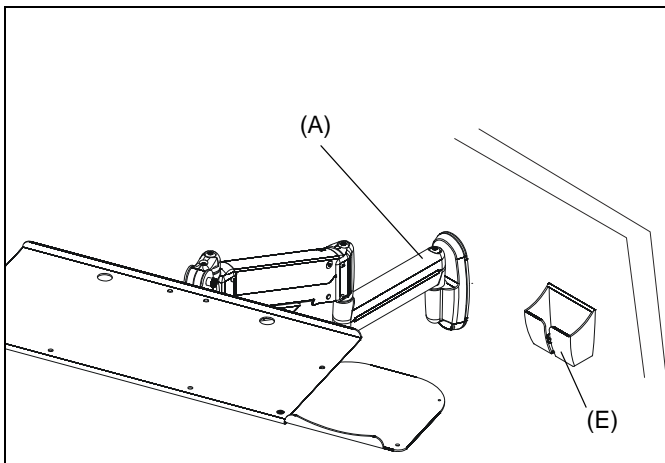


Figure 5

CABLE MANAGEMENT

1. Thread keyboard cable through one of two holes along the back edge of the keyboard tray.
2. Open the cable management bracket by sliding it towards the edge of the arm. (See Figure 6)

NOTE: If necessary, cable management bracket attach screws may be loosened using hex key (L).

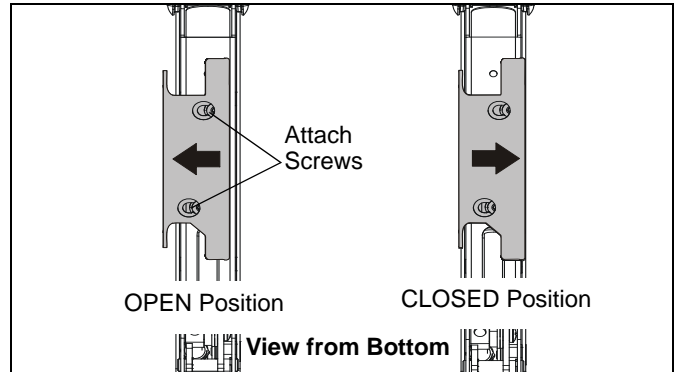


Figure 6



CAUTION: Ensure that adequate cable slack exists for movement of keyboard and mouse, and that cables will not be pinched when bracket is closed.

3. Carefully insert cables into bracket. (See Figure 7)

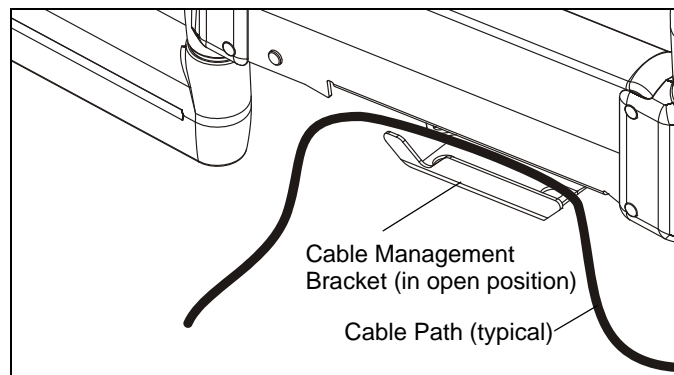


Figure 7

4. Close cable management bracket by sliding it back towards the centerline of the arm.

NOTE: If necessary, cable management bracket attach screws may be tightened using hex key (L).

5. Carefully insert cables in cavity located in lower portion of mount arm. (See Figure 8)
6. Using Phillips screwdriver, install cover (B) with two #8-32 x 3/8" Phillips flat screws (G). (See Figure 8)

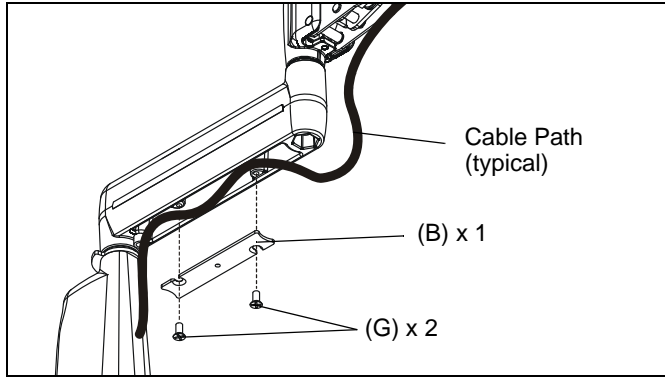


Figure 8

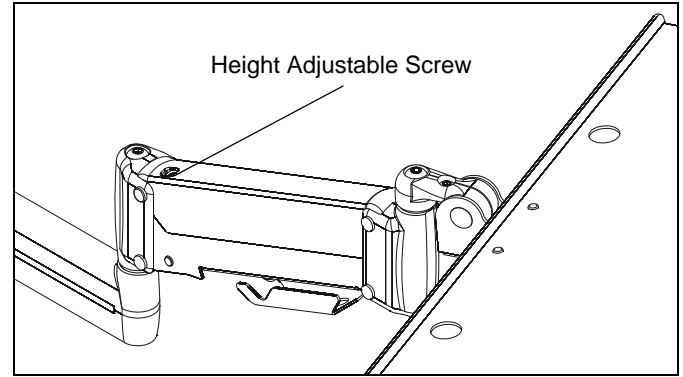


Figure 10

ADJUSTMENTS

Swing Arm

Pivot/Swing

- Using 3/16" hex key (L), slightly loosen or tighten the adjustment screw(s) as necessary. (See Figure 9)

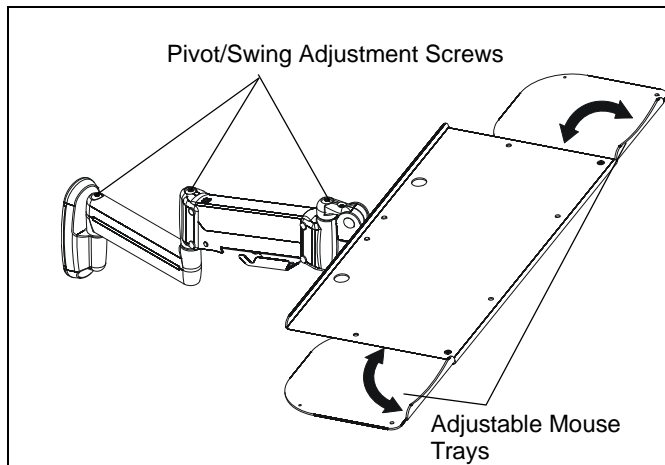


Figure 9

Mouse Tray Adjustment

- Mouse trays slide open and closed on both sides of the tray for both right-handed and left-handed users. (See Figure 9)

Height Adjustable

- Using 5/32" hex key (M), slightly loosen or tighten the adjustment screw as necessary. (See Figure 10)
 - If display settles on its own, rotate adjustment screw counterclockwise (towards the "+" symbol).
 - If display rises on its own, rotate adjustment screw clockwise (towards the "-" symbol).

NOTE: It may be necessary to raise or lower the height adjustable arm to expose the adjustment screw.

Tray Tension Adjustment

- Using 1/4" hex key (K), slightly loosen or tighten the tray tension adjustment screw as necessary. (See Figure 11)

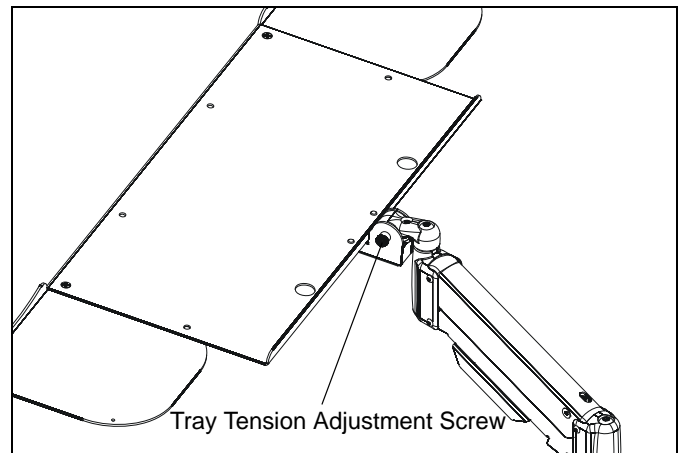


Figure 11



Our Mounts. **Your Vision.**

Chief Manufacturing, a division of
Milestone AV Technologies

8834-000005

©2008 Milestone AV Technologies

www.chiefmfg.com

10/08

USA/International	A 8401 Eagle Creek Parkway, Savage, MN 55378 P 800.582.6480 / 952.894.6280 F 877.894.6918 / 952.894.6918
Europe	A Fellenoord 130 5611 ZB EINDHOVEN, The Netherlands P +31 (0)40 2668620 F +31 (0)40 2668615
Asia Pacific	A Room 24F, Block D, Lily YinDu International Building LuoGang, BuJi Town, Shenzhen, CHINA. 深圳市布吉罗岗村百合银都国际大厦D栋24F P +86-755-8996 9226 F +86-755-8996 9217