

FEATURED MODEL

157-054-CR BLANCOHELSEA™ Bar Faucet in Polished Chrome

ADDITIONAL MODELS

157-054-ST Stainless (Satin Nickel)

FEATURES

- Solid brass body
- Ceramic disc cartridge
- 2.2 G.P.M. flow rate
- Extra long supply lines
- Installation in a 1-3/8" hole

CODE/STANDARDS COMPLIANCE

ASME A112.18.1-2005

IAPMO Listed

WARRANTY

Blanco America's Bar faucets feature a "NO HASSLE" LIMITED LIFETIME WARRANTY to be free of all manufacturing defects under normal use. See our complete warranty for details.

While Blanco America endeavors to provide accurate information, all dimensions are nominal, cannot be guaranteed, and are subject to change or cancellation. Blanco America assumes no responsibility for use of superseded or voided specifications.

PRODUCT SPECIFICATION

Bar faucet to include solid brass body, side mounted spout and ceramic disc cartridge. Faucet dimensions to be as follows: Reach: 7"; Spout Height: 6-3/4". Bar faucet to be BLANCOHELSEA™, Model 157-054-_____ in _____ finish.

Polished Chrome 157-054-CR

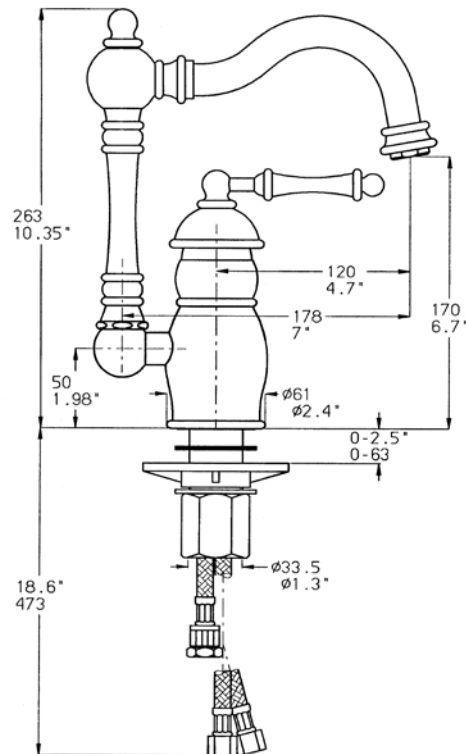
Stainless (Satin Nickel) 157-054-ST



MODEL 157-054

NOMINAL DIMENSIONS

MODEL	REACH	SPOUT HEIGHT	FAUCET HEIGHT
157-054	7	6-3/4	10-3/8



See next page for exploded parts drawing and parts list.

JOB INFORMATION

Job Name: _____

Contact: _____

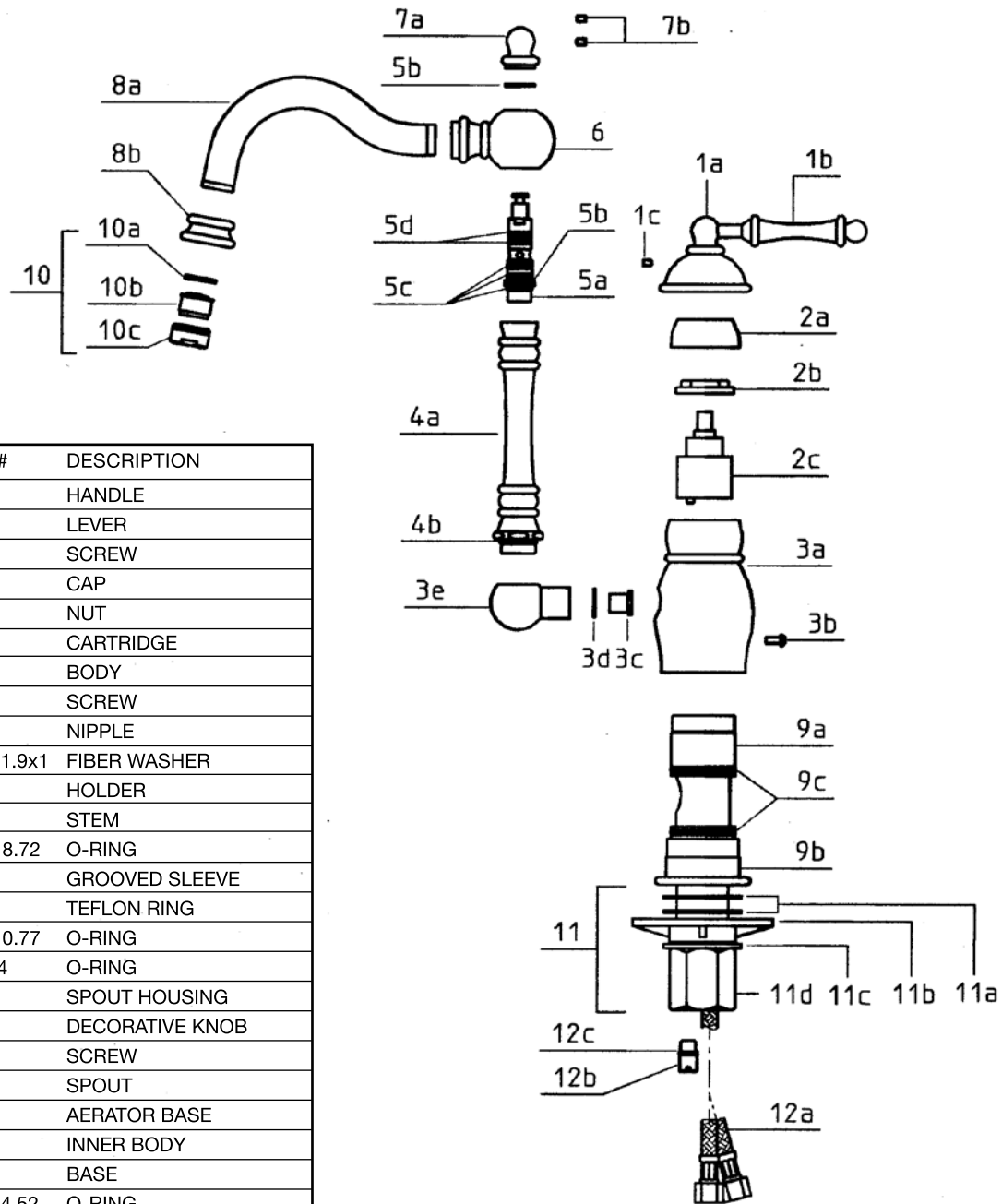
Date Specified: _____

Specifier: _____

Contractor: _____

BLANCO AMERICA
800.451.5782
www.blancoamerica.com

BLANCOHELSEA™ MODEL 157-054



NUM.	PART #	DESCRIPTION
1A	3587	HANDLE
1B	3586	LEVER
1C	3206	SCREW
2A	3593	CAP
2B	3067	NUT
2C	3909	CARTRIDGE
3A	3591	BODY
3B	2767	SCREW
3C	3157	NIPPLE
3D	18.5x11.9x1	FIBER WASHER
3E	3063	HOLDER
4A	3592	STEM
4B	2.62X18.72	O-RING
5A	3556	GROOVED SLEEVE
5B	3785	TEFLON RING
5C	2.62X10.77	O-RING
5D	2.5X9.4	O-RING
6	3557	SPOUT HOUSING
7A	3560	DECORATIVE KNOB
7B	3206	SCREW
8A	3566	SPOUT
8B	3555	AERATOR BASE
9A	3064	INNER BODY
9B	3594	BASE
9C	3.53x34.52	O-RING
10	1-676	AERATOR
10A		RUBBER WASHER
10B		SCREEN
10C		AERATOR RING
11	1-2359	MOUNTING NUT ASSY
11A	48X34X2	RUBBER WASHER
11B	3109	PLASTIC BASE

NUM.	PART #	DESCRIPTION
11C	2258	METAL WASHER
11D	2359	NUT
12A	2350	HOSE
12B	3161	PLUG
12C	1.78x7.94	O-RING