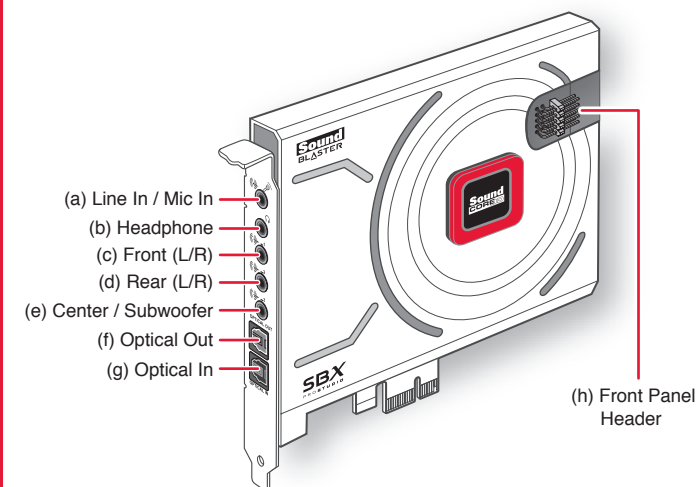


## Jacks & Connectors

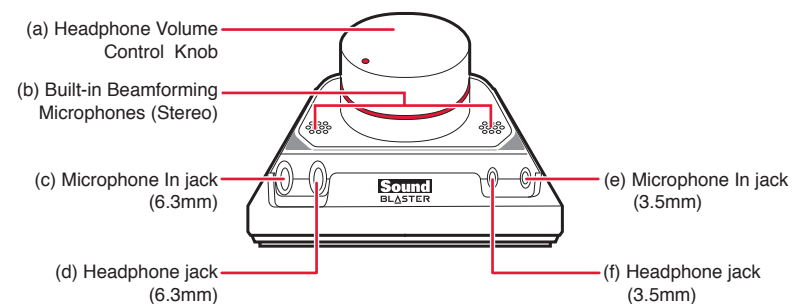
Thank you for choosing the Sound Blaster Zx audio card. Welcome to a world of sound never before experienced.

### SB1506



PN 03SB15060000 Rev.A

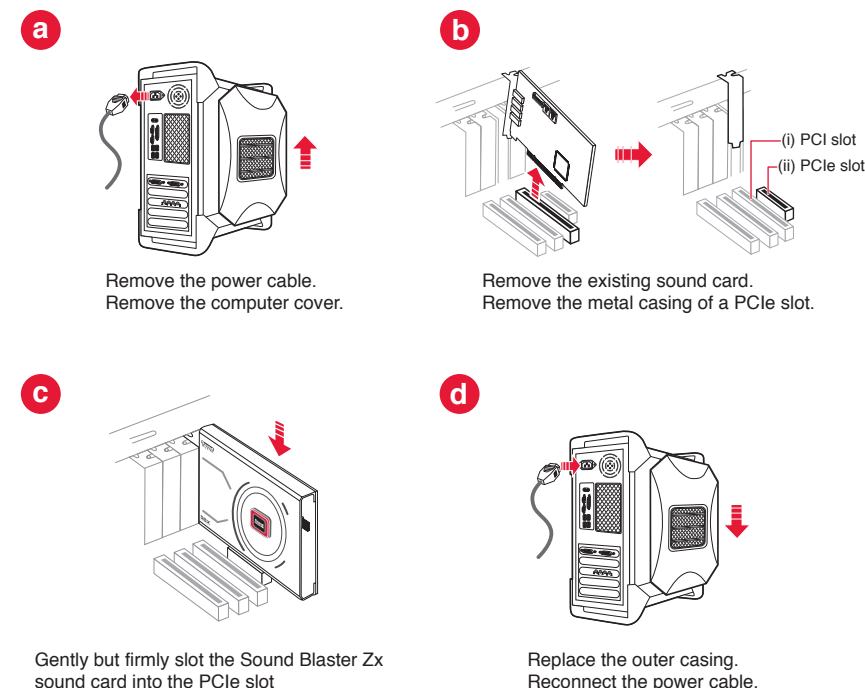
### Audio Control Module



**Note:** The ACM Volume Control Knob allows you to adjust headphone levels conveniently based on the maximum level set by your computer's master volume control. We recommend that you determine the desired maximum volume on your computer before using the ACM.

## 1 Prepare it

### Install Your Hardware



### Install Your Software

To take full advantage of your Sound Blaster audio card, you need to install device drivers and applications.

#### For Windows 7:

1. Insert the Installation CD into your CD or DVD drive. Your CD should start automatically. If it does not, follow the steps below:
  - i. Click **Start > Computer**.
  - ii. Right-click the CD or DVD drive icon, and then click **Open AutoPlay**.
2. To complete the installation, follow the instructions on the screen. If you encounter the following message, click **Install**.



3. When prompted, restart your computer.

#### For Windows 8:

1. Insert the Installation CD into your CD or DVD drive.
2. In a short while, a drive icon will be displayed. Click on the icon, and then choose **Run setup.exe**. If you do not see the drive icon, follow the steps below:
  - i. Right-click on the background of the Windows' start screen, and then click **All apps**.
  - ii. Click **Computer**
  - iii. Right-click the CD or DVD drive icon, and then click **Open AutoPlay**.
3. To complete the installation, follow the instructions on the screen. If you encounter the following message, click **Install**.



4. When prompted, restart your computer.

### Product Registration

Registering your product ensures you receive the most appropriate service and product support available. You can register your product during installation or at [www.creative.com/register](http://www.creative.com/register). Please note that your warranty rights are not dependent on registration.

### Technical & Customer Support Services

Go to [www.creative.com/support](http://www.creative.com/support) to resolve and troubleshoot technical queries at Creative's 24-hour self-help Knowledge Base. You can also find customer support services and other helpful information here.

### Other Information

You can find the following information on the Installation CD.

Warranty	d:\warranty\<region>warranty.pdf Please keep your Proof of Purchase for the duration of the Warranty period.
Safety	d:\notices\<language>\Safety_Regulatory.pdf
Regulatory	d:\fcc\<model>\FCC-DoC.pdf
User's Guide	d:\manual\<language>\manual.pdf

(replace d:\ with the drive letter of your CD-ROM/DVD-ROM drive, <region> with the region you are in, and <language> with the language that the document is in.)

Keep this document for future reference.

Information in this document is subject to change without notice and does not represent a commitment on the part of Creative Technology Ltd. No part of this manual may be reproduced or transmitted in any form or by any means, electronic or mechanical, including photocopying and recording, for any purpose without the written permission of Creative Technology Ltd.

Copyright © 2012 Creative Technology Ltd. All rights reserved. Creative, the Creative logo, Sound Blaster, the Sound Blaster logo, the SBX logo and CrystalVoice are trademarks or registered trademarks of Creative Technology Ltd. in the United States and/or other countries. All other trademarks are properties of their respective owners. All specifications are subject to change without prior notice. Use of this product is subject to a limited hardware warranty. Actual contents may differ slightly from those pictured. The software that is downloadable from the website may not be used separately from the hardware. Before using the software, your must agree to be bound by the terms and conditions of the end user license agreement.

FR

### Jack & Connectors

Thank you for choosing the Sound Blaster Zx audio card. Welcome to a world of sound never before experienced.

#### SB1506

- |                      |                        |
|----------------------|------------------------|
| (a) Line In / Mic In | (e) Center / Subwoofer |
| (b) Headphone        | (f) Optical Out        |
| (c) Front (L/R)      | (g) Optical In         |
| (d) Rear (L/R)       | (h) Front Panel Header |

#### Audio Control Module

- |   |
|---|
| (a) Headphone Volume Control Knob             |
| (b) Built-in Beamforming Microphones (Stereo) |
| (c) Microphone In jack (6.3mm)                |
| (d) Headphone jack (6.3mm)                    |
| (e) Microphone In jack (3.5mm)                |
| (f) Headphone jack (3.5mm)                    |

**NOTE:** The ACM Volume Control Knob allows you to adjust headphone levels conveniently based on the maximum level set by your computer's master volume control. We recommend that you determine the desired maximum volume on your computer before using the ACM.

### 1. Prepare it

#### Install Your Hardware

- (a) Remove the power cable. Remove the computer cover.
- (b) Remove the existing sound card. Remove the metal casing of a PCIe slot.
  - (i) PCI slot
  - (ii) PCIe slot
- (c) Gently but firmly slot the Sound Blaster Zx sound card into the PCIe slot.
- (d) Replace the outer casing. Reconnect the power cable.

#### Install Your Software

To take full advantage of your Sound Blaster audio card, you need to install device drivers and applications.

#### For Windows 7:

1. Insert the Installation CD into your CD or DVD drive. Your CD should start automatically. If it does not, follow the steps below:
  - i. Click **Start > Computer**.
  - ii. Right-click the CD or DVD drive icon, and then click **Open AutoPlay**.
2. To complete the installation, follow the instructions on the screen. If you encounter the following message, click **Install**.
3. When prompted, restart your computer.

#### For Windows 8:

1. Insert the Installation CD into your CD or DVD drive. Your CD should start automatically. If it does not, follow the steps below:
  - i. Right-click on the background of the Windows' start screen, and then click **All apps**.
  - ii. Click **Computer**
  - iii. Right-click the CD or DVD drive icon, and then click **Open AutoPlay**.
2. In a short while, a drive icon will be displayed. Click on the icon, and then choose **Run setup.exe**. If you do not see the drive icon, follow the steps below:
  - i. Right-click on the background of the Windows' start screen, and then click **All apps**.
  - ii. Click **Computer**
  - iii. Right-click the CD or DVD drive icon, and then click **Open AutoPlay**.
3. To complete the installation, follow the instructions on the screen. If you encounter the following message, click **Install**.
4. When prompted, restart your computer.

ES

### Jack & Connectors

Thank you for choosing the Sound Blaster Zx audio card. Welcome to a world of sound never before experienced.

#### SB1506

- |                      |                        |
|----------------------|------------------------|
| (a) Line In / Mic In | (e) Center / Subwoofer |
| (b) Headphone        | (f) Optical Out        |
| (c) Front (L/R)      | (g) Optical In         |
| (d) Rear (L/R)       | (h) Front Panel Header |

#### Audio Control Module

- |   |
|---|
| (a) Headphone Volume Control Knob             |
| (b) Built-in Beamforming Microphones (Stereo) |
| (c) Microphone In jack (6.3mm)                |
| (d) Headphone jack (6.3mm)                    |
| (e) Microphone In jack (3.5mm)                |
| (f) Headphone jack (3.5mm)                    |

**NOTE:** The ACM Volume Control Knob allows you to adjust headphone levels conveniently based on the maximum level set by your computer's master volume control. We recommend that you determine the desired maximum volume on your computer before using the ACM.

### 1. Prepare it

#### Install Your Hardware

- (a) Remove the power cable. Remove the computer cover.
- (b) Remove the existing sound card. Remove the metal casing of a PCIe slot.
  - (i) PCI slot
  - (ii) PCIe slot
- (c) Gently but firmly slot the Sound Blaster Zx sound card into the PCIe slot.
- (d) Replace the outer casing. Reconnect the power cable.

BP

### Jack & Connectors

Thank you for choosing the Sound Blaster Zx audio card. Welcome to a world of sound never before experienced.

#### SB1506

- |                      |                        |
|----------------------|------------------------|
| (a) Line In / Mic In | (e) Center / Subwoofer |
| (b) Headphone        | (f) Optical Out        |
| (c) Front (L/R)      | (g) Optical In         |
| (d) Rear (L/R)       | (h) Front Panel Header |

#### Audio Control Module

- |   |
|---|
| (a) Headphone Volume Control Knob             |
| (b) Built-in Beamforming Microphones (Stereo) |
| (c) Microphone In jack (6.3mm)                |
| (d) Headphone jack (6.3mm)                    |
| (e) Microphone In jack (3.5mm)                |
| (f) Headphone jack (3.5mm)                    |

**NOTE:** The ACM Volume Control Knob allows you to adjust headphone levels conveniently based on the maximum level set by your computer's master volume control. We recommend that you determine the desired maximum volume on your computer before using the ACM.

### 1. Prepare it

#### Install Your Hardware

- (a) Remove the power cable. Remove the computer cover.
- (b) Remove the existing sound card. Remove the metal casing of a PCIe slot.
  - (i) PCI slot
  - (ii) PCIe slot
- (c) Gently but firmly slot the Sound Blaster Zx sound card into the PCIe slot.
- (d) Replace the outer casing. Reconnect the power cable.