

ASSEMBLY AND OPERATION INSTRUCTIONS

VACUUM COLLECTOR
MFG. NO. 1690990

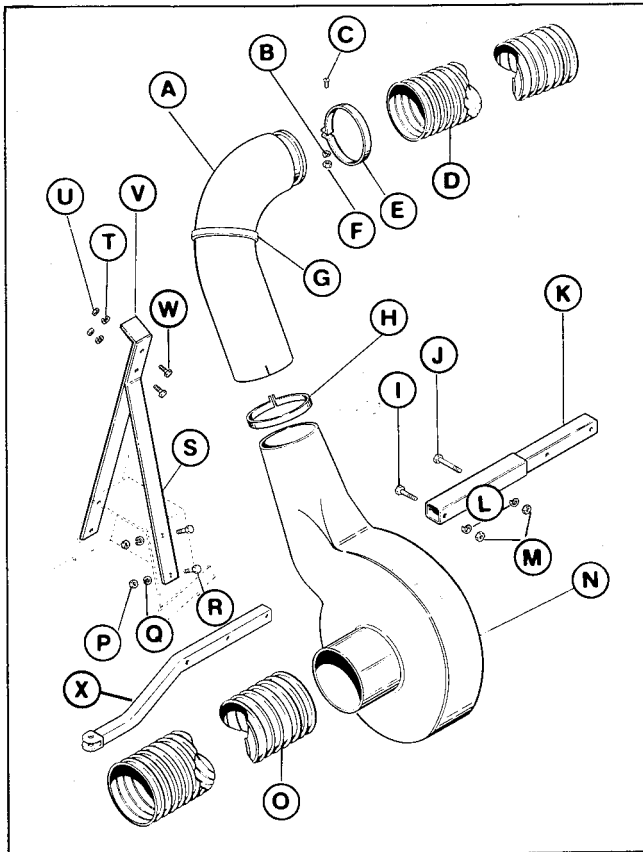


Figure 1.

- A. Elbow
- B. Lockwasher, 1/4"
- C. Screw, 1/4-20 x 3
- D. Hose, 6" ID
- E. Clamp
- F. Nut, 1/4"
- G. Clamp
- H. Clamp
- I. Capscrew, 3/8-16 x 2"
- J. Capscrew, 3/8-16 x 2-1/2"
- K. Hitch Extension
- L. Lockwasher, 3/8"
- M. Nut, 3/8"
- N. Housing
- O. Hose, 7" ID
- P. Nut, 1/4"
- Q. Lockwasher, 1/4"
- R. Capscrew, 1/4-20 x 3/4
- S. Tube Support
- T. Lockwasher, 1/4"
- U. Nut, 1/4"
- V. Tube Support
- W. Capscrew, 1/4-20 x 3/4"
- X. Hitch



WARNING

Do not operate the vacuum collector with any part detached. Always stop the tractor engine before removing hoses or attempting to clean out any part of the collector.

ASSEMBLY

1. Attach the tube supports (S and V, figure 1) to the vacuum collector with four 1/4-20 x 3/4" capscrews, 1/4" lockwashers, and 1/4" nuts. These supports are item B in figure 2.
2. Attach the elbow (A, figure 1) to the housing (N) with one of the clamps (H). Secure clamp with 1/4-20 x 3" screw, 1/4" lockwasher, and 1/4" nut.
3. Connect the supports (S and V) with two 1/4-20 x 3/4" capscrews (W), 1/4" lockwashers, and 1/4" nuts. Slide clamp (G) onto elbow (A) and over top of support (V). This clamp is item D in figure 2.

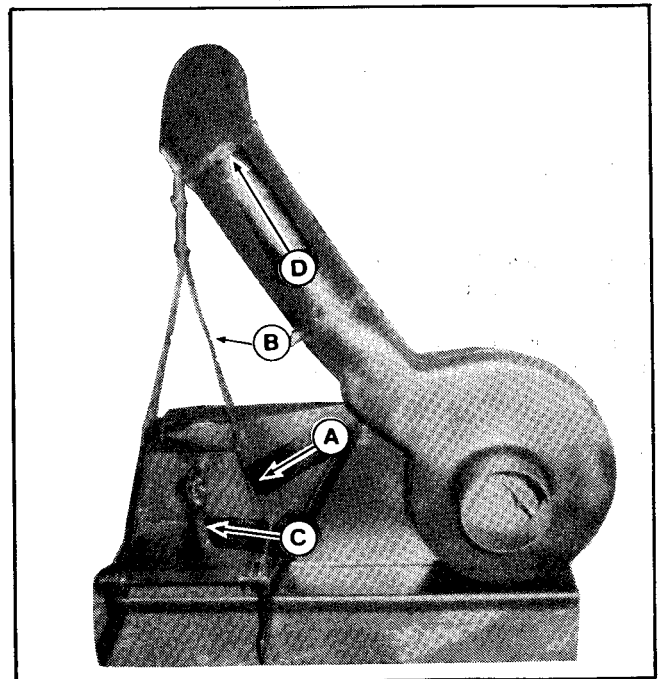


Figure 2.

- A. Collector
- B. Supports
- C. Drive Shaft
- D. Clamp

4. Install the hitch bracket (D, figure 3) to back of tractor with four 7/16-14 x 1-1/4" capscrews, 7/16" lockwashers, and 7/16" nuts. Secure bottom of hitch bracket to drawbar with two 1/2-13 x 1-1/4" capscrews (G), 1/2" lockwashers and nuts. The hitch is shown installed in figure 4.

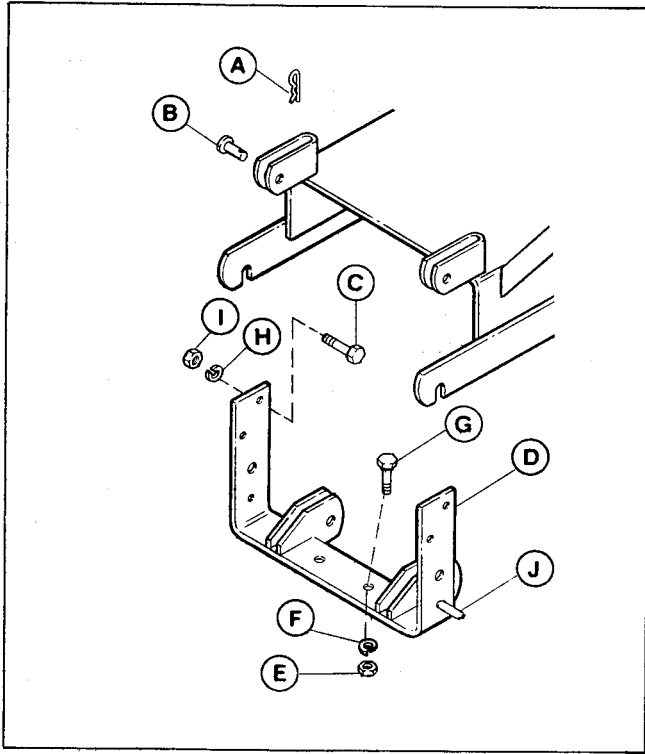


Figure 3.

- A. Clip
- B. Pin
- C. Cap screw, 7/16-14 x 1-1/4"
- D. Hitch Bracket
- E. Nut, 1/2"
- F. Lockwasher, 1/2"
- G. Cap screw, 1/2-13 x 1-1/4"
- H. Lockwasher, 7/16"
- I. Nut, 7/16"
- J. Stud

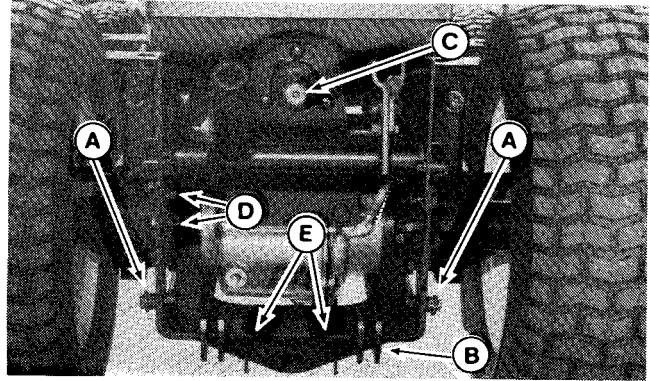


Figure 4.

- A. Stud
- B. Hitch
- C. PTO
- D. Cap screw, 7/16-14 x 1-1/4
- E. Cap screw, 1/2-13 x 1-1/4

INSTALLATION

1. Refer to instructions supplied with mower adapter to install adapter (A, figure 5). Install hose (C) onto mower adapter. Attach to housing (D) with clamp (E). Tighten screw and nut securely.
2. Attach the vacuum collector to the hitch (D, figure 3) by hooking bottom arms onto the studs (J). Raise so vacuum collector is level and attach to tractor frame with pins (B) and clips (A). Figure 7 shows vacuum collector installed.
3. Use the hitch extension (K, figure 1) to extend the cart hitch as follows. Remove the hitch (X, figure 1) from the cart, and attach the extension (K) to the cart in its place. Insert the hitch (X) into the extension and secure with hardware shown.
4. Connect the hose (B, figure 5) to vacuum collector and cart using clamps and hardware.

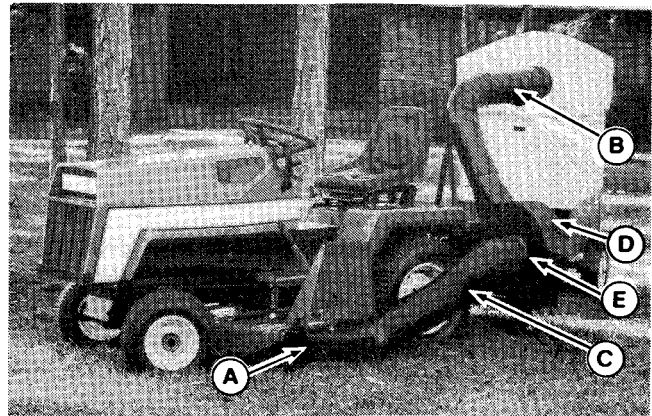


Figure 5.

- A. Adapter
- B. Hose
- C. Hose, 7" Dia.
- D. Housing
- E. Clamp

5. The drive shaft (figure 6) must be placed on the shaft (C, figure 2) and then connected to tractor PTO (C, figure 4). Be sure cover (D, figure 6) is in place. To connect to tractor PTO, place end against PTO shaft so that the splines are aligned. To push farther onto shaft, pull ring (B, figure 6) back. While holding ring back, push onto tractor PTO shaft fully and then release. Pull back on the shaft; the ring will snap forward into the locked position in the PTO shaft groove. Test by pulling back on shaft (A). You will not be able to pull it off if properly connected. Figure 7 shows drive shaft attached.

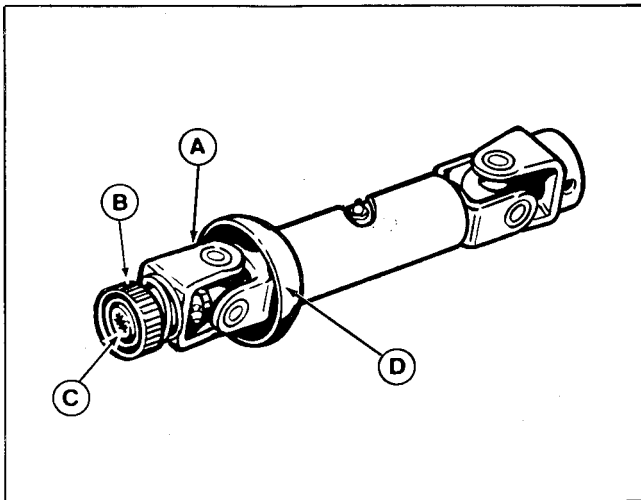


Figure 6.
 A. Drive Shaft
 B. Ring
 C. Splines
 D. Cover

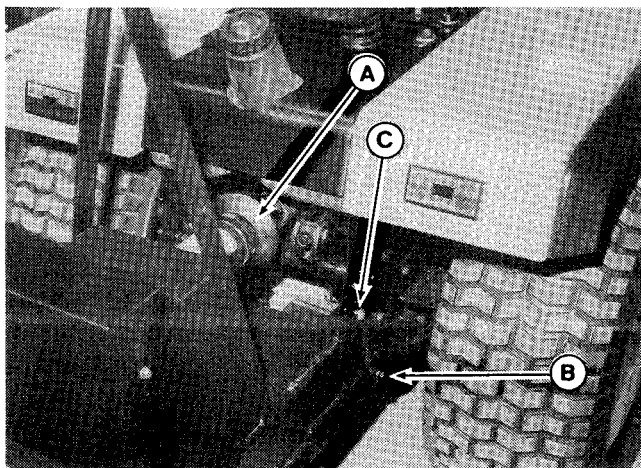


Figure 7.
 A. Drive Shaft
 B. Hook onto Spacers
 C. Attach with Pins & clips

OPERATION

Operate the tractor at normal ground speed for mowing. Under damp conditions, or when collecting thick, heavy material, run engine at full throttle and use slow ground speed.

When collecting leaves, you may raise the mower for the first pass and lower it for the second pass. It may be necessary to use only half the mower to prevent clogging.

If unit vibrates during operation, stop the engine and inspect collector. Clean out dirt from blades and hoses. If blades are bent or otherwise damaged, see your dealer.

NORMAL CARE

Annually, apply lithium grease to drive shaft grease fitting. Periodically apply oil (SAE 30) to pivot points. After each use, clean out grass or dirt from collector, hoses and cart.

REMOVAL

To operate without the vacuum collector, disconnect as follows:

1. Remove the adapter (A, figure 5) from the mower. Lower the deflector to original position.
2. Disconnect the drive shaft (figure 6) by pulling back on ring (B) and then pulling shaft off.
3. Disconnect cart by removing pin and clip. Remove pins (B, figure 7) and remove collector from tractor.

