

ISLAND HOODS

IS42

Classic style in three attractive metal finishes

Optional trim finishes are available in chrome, brushed stainless or polished brass

Powerful yet quiet internal and external blowers with HVI certified performance (see p. 52)

Four halogen lamps provide brilliant cooktop lighting

Quick-release, stainless steel/aluminum mesh filters are dishwasher-safe

Heat Sentry™ is a smart feature that detects excessive heat and adjusts speed to high automatically

Telescopic flue for 8' to 9' ceilings – Custom extensions available (see p. 50)

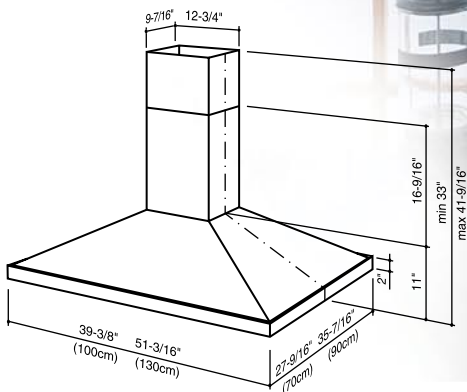


Blower is adjusted with a multi-speed slide control.



Add a contrasting trim to complement other design details and accessories in your kitchen.

Free-hanging design melds magnificent proportions and distinctive trim to create a bold yet graceful focal point that highlights your unique décor.



Model	Dimensions	Blower	CFM	Finish
IS42	39-3/8" w x 27-9/16" d 51-3/16" w x 35-7/16" d	INT. ■	1000	304 Brushed Stainless, Polished Brass, Brushed Copper
IEX42	39-3/8" w x 27-9/16" d	EXT. ♦ (see page 52)	4 In-line 4 Exterior	304 Brushed Stainless

For installation guidelines and product details see pages 54 – 58.

■ Blower included. ♦ Blower purchased separately.