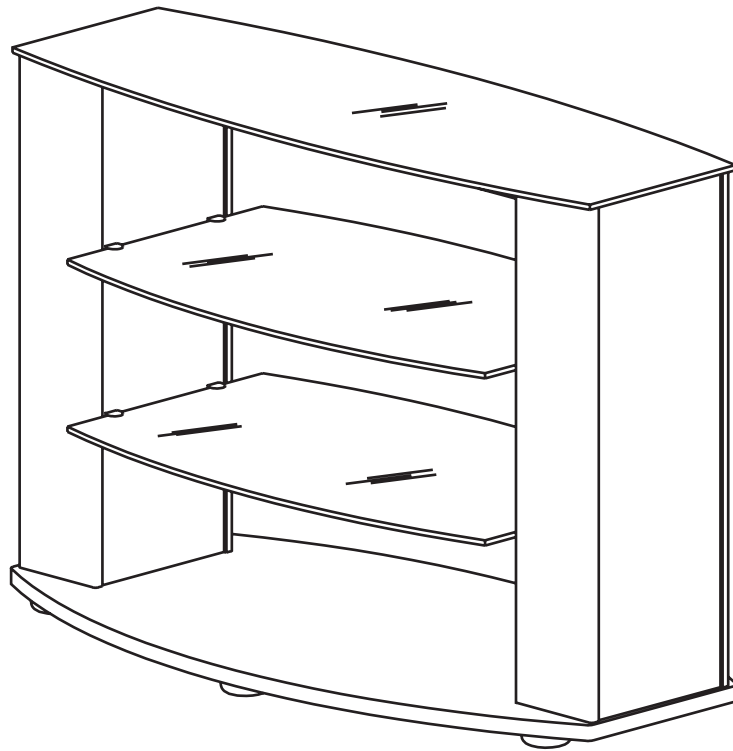


PLATINUM FURNITURE

MODEL PFV36sb-01 *Digital TV Stand*

Assembly Instructions



BUS5308P1

Congratulations and thank you for purchasing your new Sanus Platinum Furniture Product. If you have any questions regarding this or any other Sanus product, please contact our customer service department at (800)359-5520, or www.sanus.com. It is not necessary to contact the retailer with any questions or problems, as parts can be sent directly to you.

Please follow these assembly instructions. This will save you time, make assembly easier and prevent possible damage to your new Digital TV Stand. Assistance may be required for some assembly procedures. Correct assembly is your responsibility.

We recommend that the unit is assembled on a soft surface such as carpet. Please record your serial number in the space provided below and retain this manual for future reference.

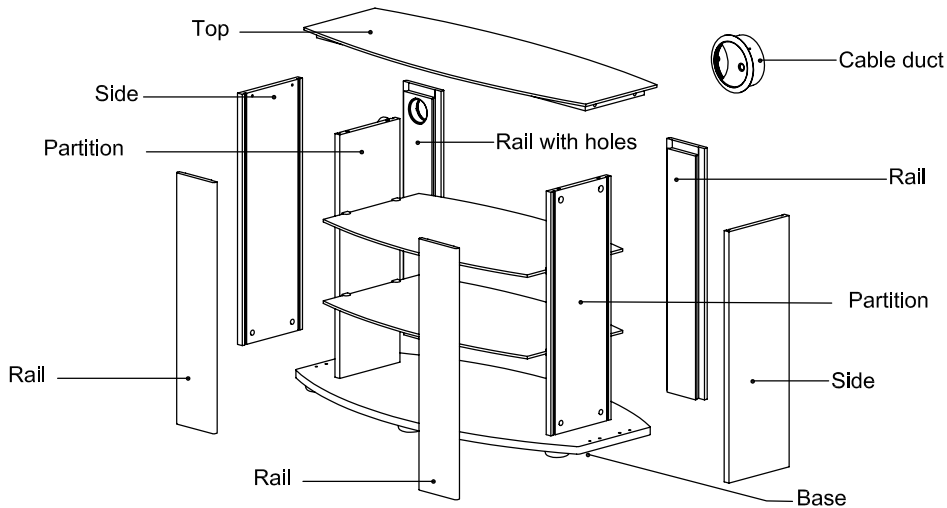
Serial No

This unit was manufactured using ISO 9000 certified systems. For improvement purposes, design and specifications are subject to change without notice.

SANUS | SYSTEMS

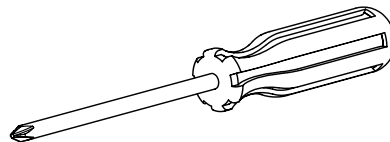
THE UNION OF FORM AND FUNCTION

UNPACK AND IDENTIFY PARTS



| <u>PART DESCRIPTION:</u> | <u>QTY</u> | <u>PART NUMBER</u> |
|----------------------------|------------|--------------------|
| Top | 1 | M20856B1P1 |
| Base | 1 | M20857B1ZS |
| Side | 2 | M20950A1ZS |
| Partition | 2 | M20951A1ZS |
| Rail | 3 | M20952A1ZS |
| Rail with cable duct holes | 1 | M20953A1ZS |
| Glass shelf | 2 | M20864A1P1 |
| Glide | 6 | P815048 |
| Cable duct | 3 | P840200 |
| Hardware pack | 1 | MH1267A0 |

TOOLS REQUIRED:



PHILLIPS No.2 SCREWDRIVER

CUSTOMER SERVICE INFORMATION

IN THE UNLIKELY EVENT OF PARTS BEING FAULTY OR MISSING, CHECK PACKAGING. REPLACEMENT PARTS CAN BE OBTAINED BY CALLING THE TOLL FREE NUMBER WITHIN 14 DAYS OF PURCHASE.

TOLL-FREE NUMBER - (800) 359-5520 (USA ONLY)

THE FOLLOWING INFORMATION MUST BE SUPPLIED IN FULL:

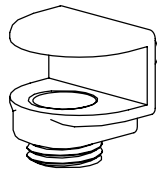
1. YOUR NAME, ADDRESS AND TELEPHONE NUMBER.
2. PRODUCT MODEL NAME/NUMBER AND COLOR.
3. DESCRIPTION, PART NUMBER AND QUANTITY OF REQUIRED PARTS.
4. PURCHASE DETAILS: -STORE THE UNIT WAS PURCHASED FROM.
-DATE OF PURCHASE.
5. SERIAL NUMBER OF THE UNIT PURCHASED.
(LOCATED ON REAR OF UNIT)

Hardware Contents:

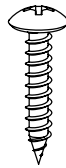
CAUTION

There are many small components used in the construction of this unit.
These loose items should be kept away from young children while
assembling your unit.

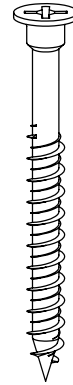
Scale 1:1 (unless stated otherwise)



Shelf pin
P815235 x 8



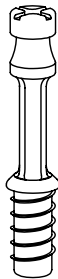
P860036 x 6



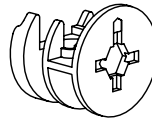
P860212 x 8



Barrel nut
P840050 x 8



Connector rod
P820016T x 8



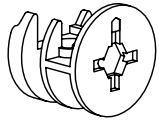
Cam
P820015T x 8



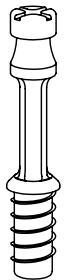
Dowel P800201 x 8

STEP 1

Note no dowel holes on this end.



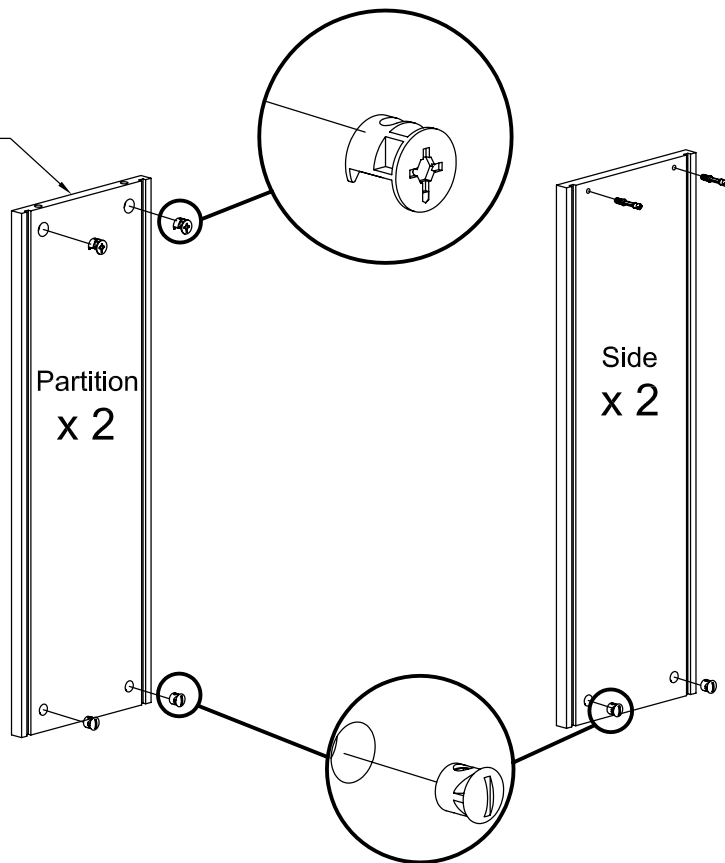
x 4



x 4

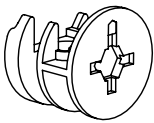


x 8

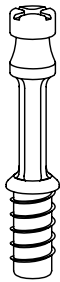


Prepare sides and partitions as shown.

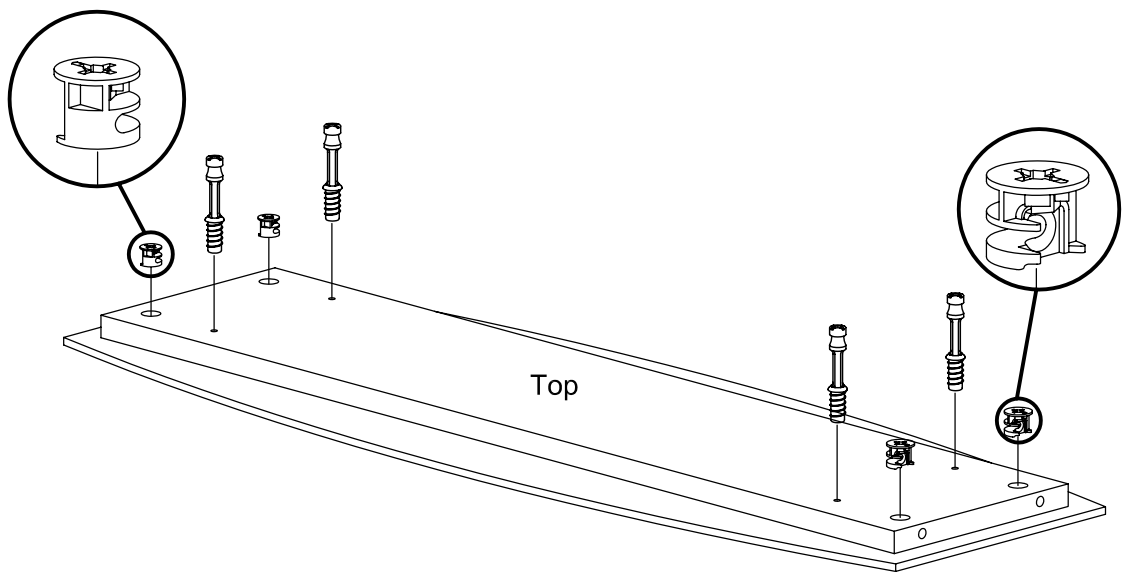
STEP 2



x 4

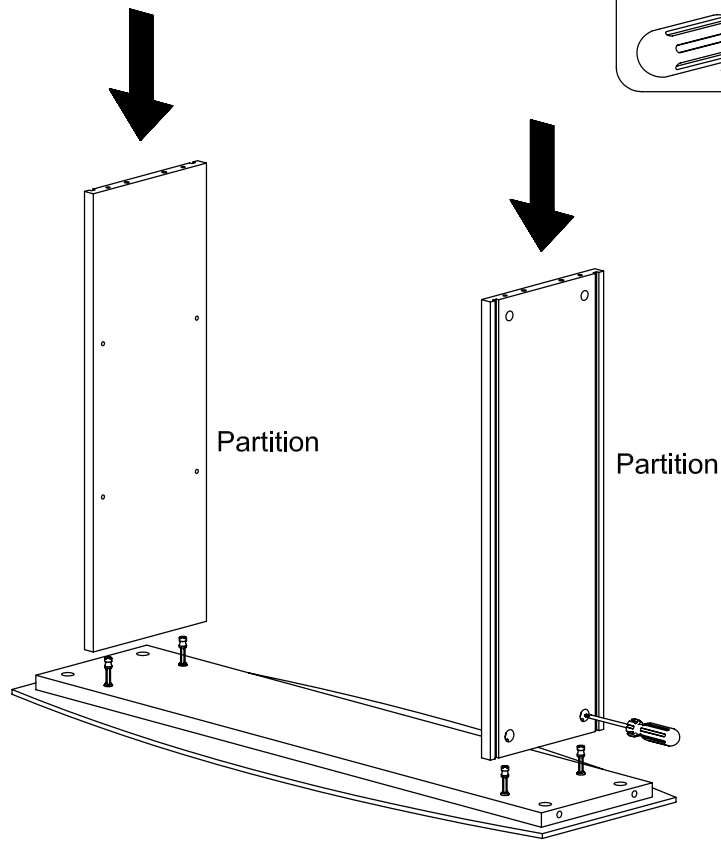


x 4



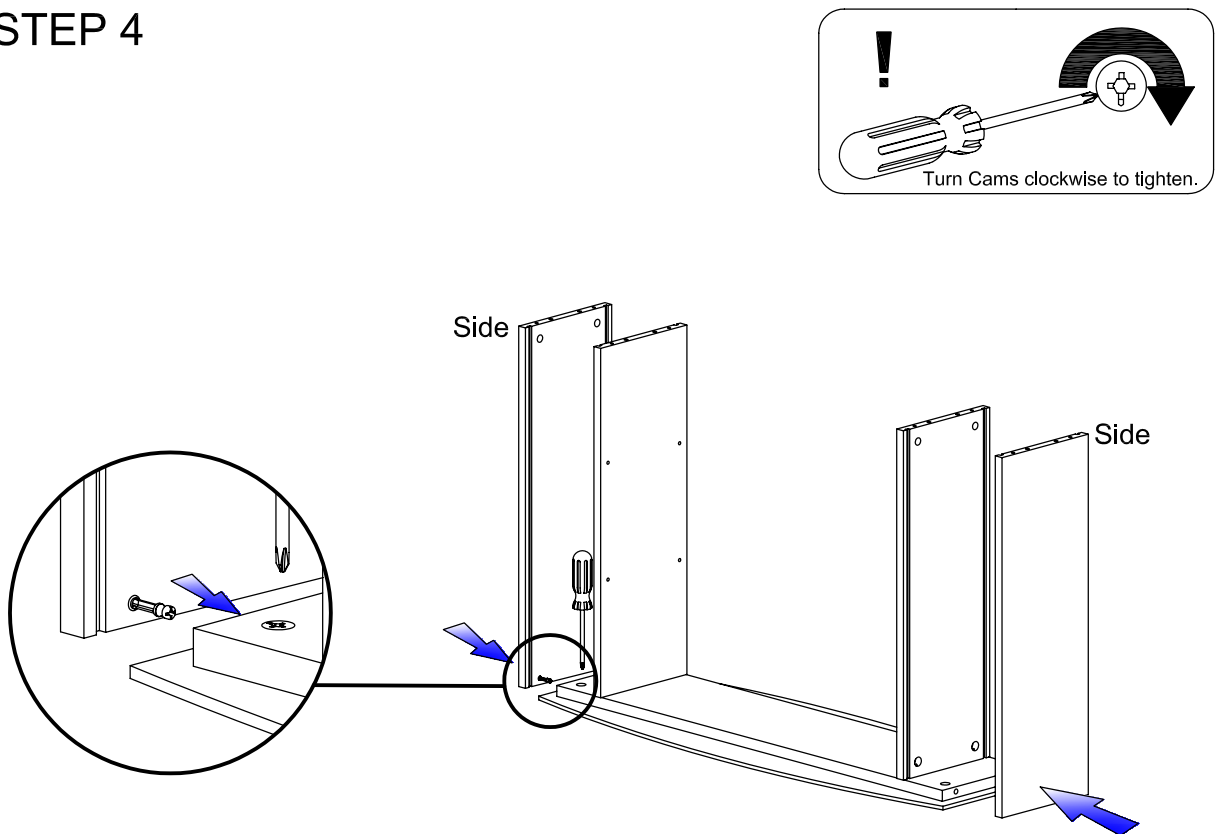
Place the top on a soft and clean carpet as shown.
Prepare the top as shown above.

STEP 3



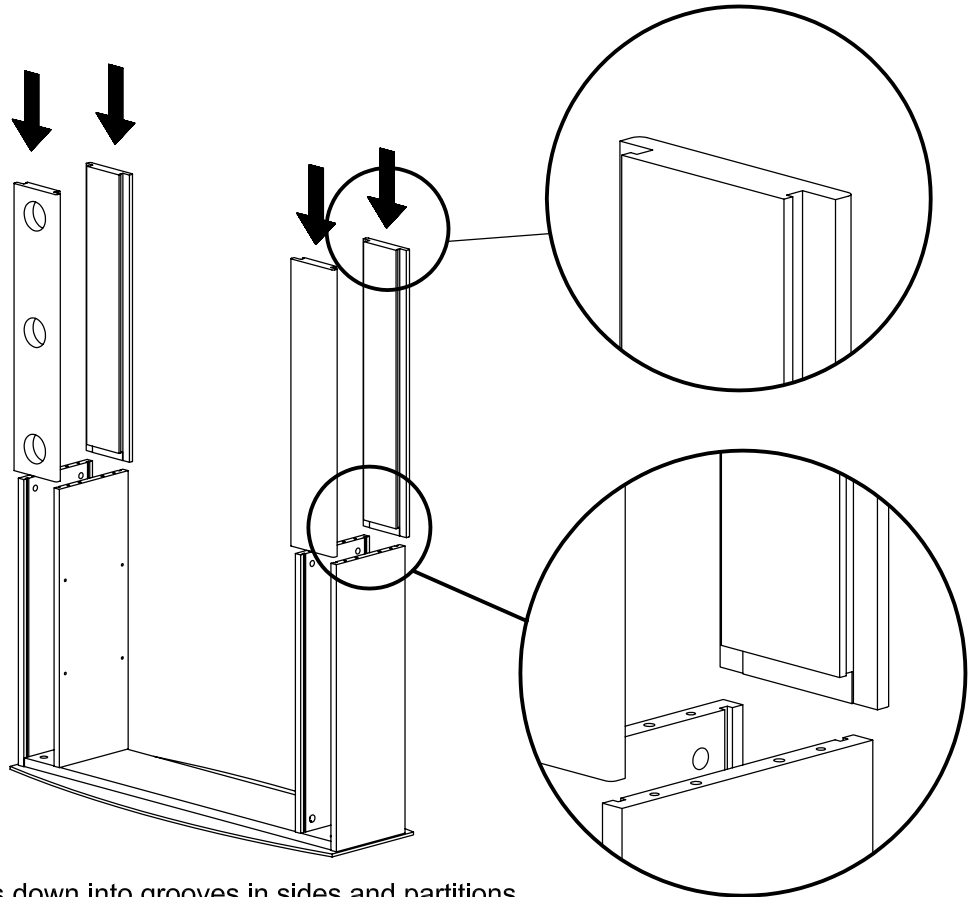
Fix the partitions onto the top as shown.

STEP 4



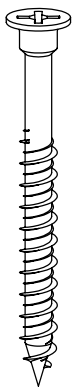
Fix the sides to the top as shown.

STEP 5



Slide the front /back rails down into grooves in sides and partitions.
Note: One of the rails has 3 large holes for cable management.

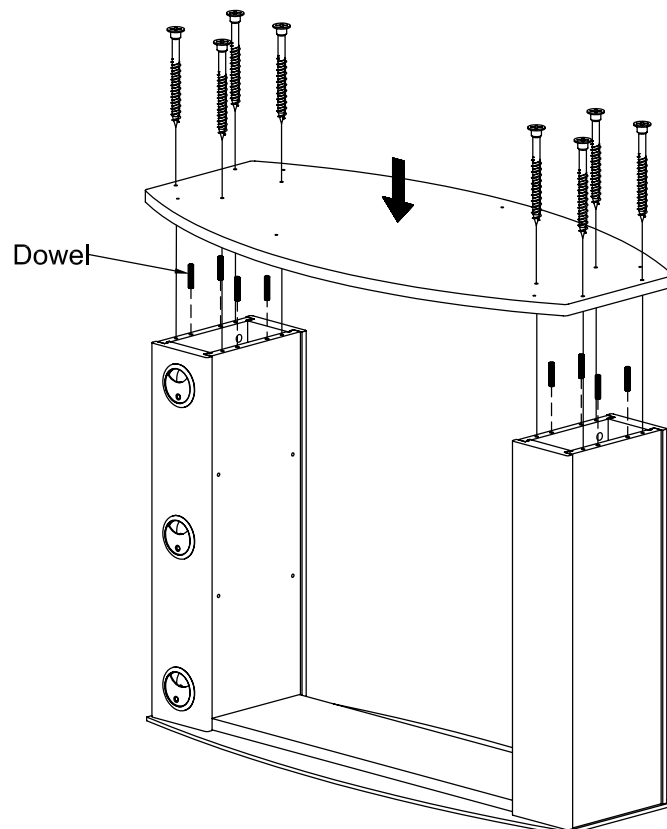
STEP 6



x 8

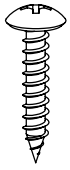


x 8

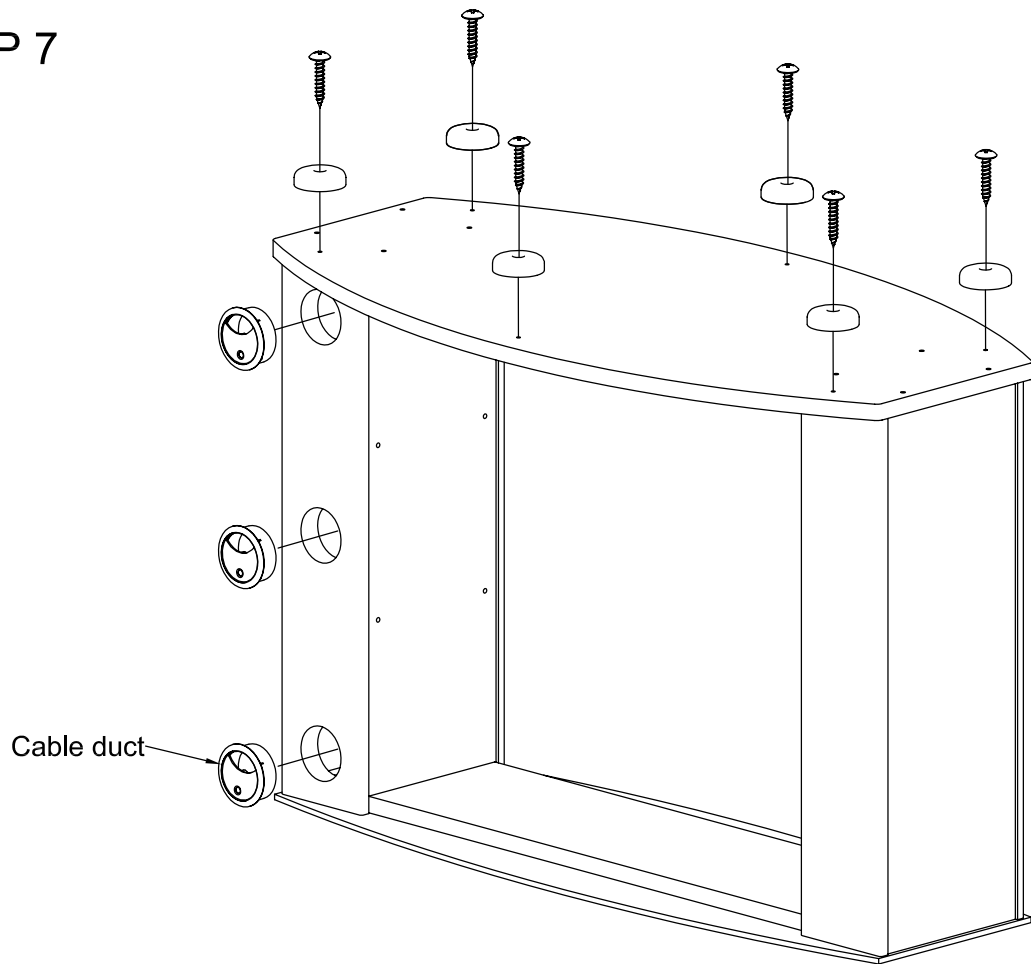


Insert dowels into holes in the sides and partitions as shown
Screw the base onto the sides and partitions as shown above.

STEP 7

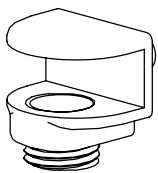


x 6

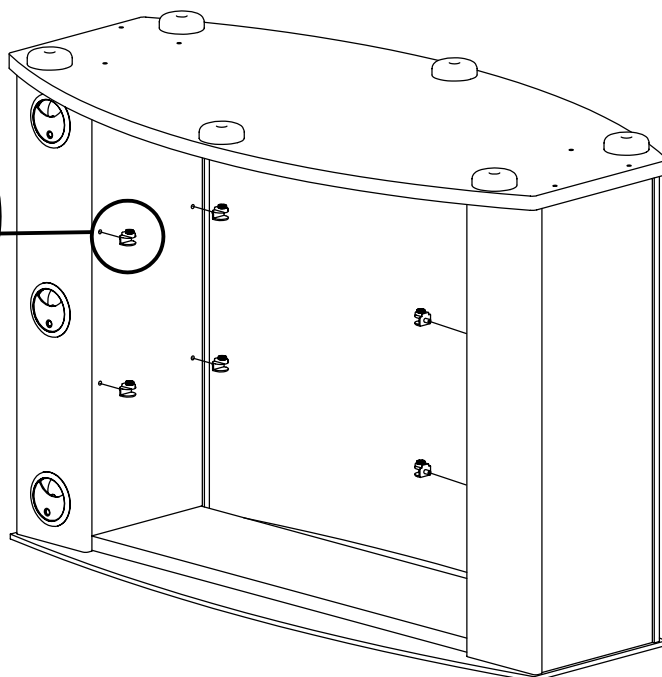
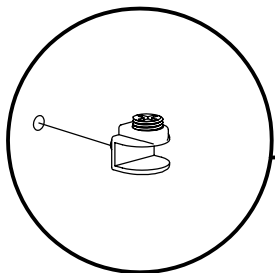


Fix 6 glides onto the bottom of the base as shown.
Fit the cable ducts as shown.

STEP 8

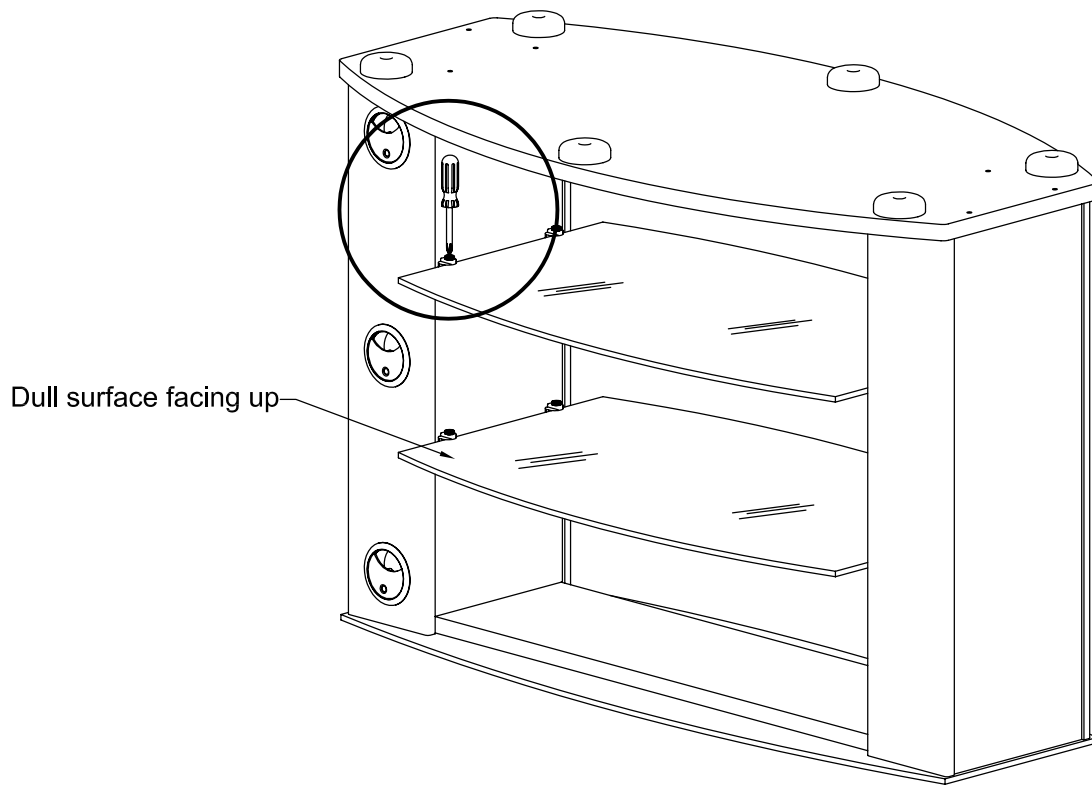


x 8



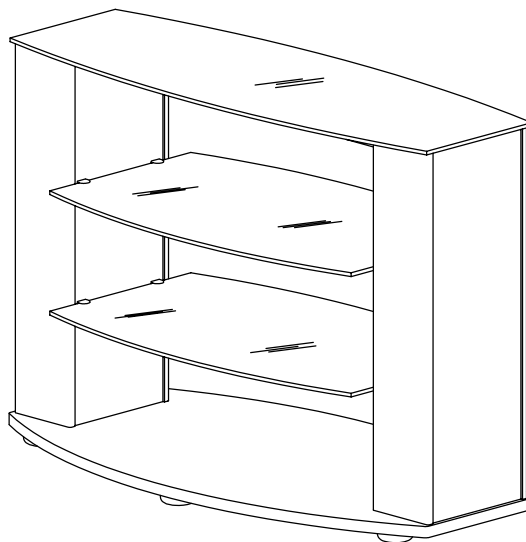
Insert 4 shelf supports into each partition as shown above.

STEP 9



Fix the glass shelves to the shelf supports as shown.
Ensure the dull surface of the glass is facing up when you put the glass in.

STEP 10



Turn the stand over so that its glides are on the floor.
You have finished assembling your new stand.

NOTE: We recommend that all contents stored in or on this item of furniture be removed before shifting it. The manufacturers will not be held liable for damage caused when furniture is shifted without first removing its contents. If furniture is shifted we recommend that it is lifted not dragged.